

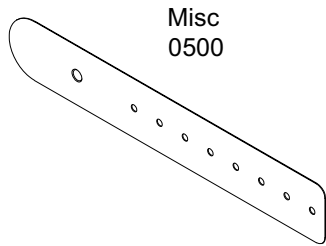
# Ultimate Accessories

Installation Bracket, Nailing Fin, Drip Cap and Jamb Extension .....	1
Interior Trim and Interior Round Top Trim .....	3
Wood Exterior Mullion Trim and Wood Exterior Casing .....	4
Wood Subsills .....	5
Wood Special Profile Exterior Casings .....	7
Clad Extrusion / Clad Casing .....	9
Clad Special Subsill Profiles .....	11
Lineal Subsill Caps / End Caps .....	12
Round Top Shapes .....	13
Clad Special Application for Windows - Casing All Sides .....	14
Clad Special Application for Windows - Columbus Casing Stick Construction .....	15
Clad Special Application for Windows - Columbus Casing Masonry Construction .....	16
Clad Special Casing for Windows - Grayson Casing Stick Construction .....	17
Clad Special Casing for Windows - Grayson Casing Masonry Construction .....	18
Clad Special Casing for Windows - 1 1/2" Clad Flat Casing Stick Construction .....	19
Clad Special Casing for Windows - 1 1/2" Clad Flat Casing Masonry Construction .....	20
Clad Special Casing for Windows - Ridgeland Casing Masonry Construction .....	21
Clad Special Casing for Windows - Stratton Casing Masonry .....	22
Clad Special Casing for Windows - Thorton Casing Masonry Construction .....	23
Clad Special Casing for Windows - Potter Casing Wood Frame Construction .....	24
Clad Special Casing for Windows - Potter with Trim Casing Masonry Construction .....	25
Wood Special Casing for Windows - Special Casing 3 (SPC3) .....	26
Wood Special Casing for Windows - Special Casing 7 (SPC7) .....	27
Wood Special Casing for Windows - Special Casing 21 (SPC21) .....	28
Wood Special Casing for Windows - Special Casing 18 (SPC18) .....	29
Wood Special Casing for Windows - Special Casing 26 (SPC26) .....	30
Clad Special Casing for Doors - Wood Frame Construction - All Casings Options .....	31
Clad Special Casing for Doors - Masonry Construction - All Casing Options .....	32
Clad Applications .....	33

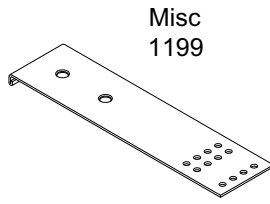


**Installation Bracket, Nailing Fin, Drip Cap and Jamb Extension**

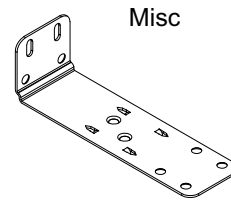
Not to Scale



**Installation Bracket**  
Misc. 0500 - 15 3/8" (391), or  
Misc. 076 - 9 3/8" (238), or  
Misc. 048 - 6 3/8" (162) lengths  
Includes flathead wood screws

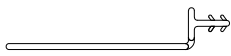


**Structural Masonry Bracket**  
Misc. 1199 - 6 3/8" (391) or  
10" (254) lengths  
Includes flathead wood screws



**Structural Bracket,  
4 9/16"**

**Installation Fin / Drip Cap**



V084  
NAILING FIN



V087  
CONNECTING BARB



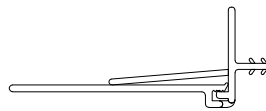
V088 NAILING FIN Radius, for use at  
Round Top Unit



V104 NAILING FIN - For use at Side jambs



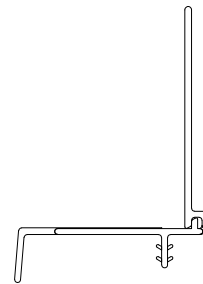
V226  
DRIP CAP - VINYL  
- For use at Head Jamb.  
Optional for Ultimate Wood Round Top  
units



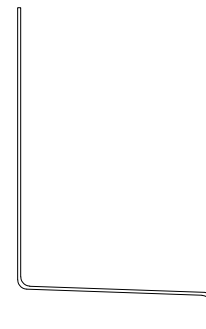
V110  
HINGED VINYL NAILING FIN  
- For use with Ultimate Round Top Units



V112  
HINGED VINYL NAILING FIN-SIDE  
- For use at side jambs and sill for Bow  
and Bay assemblies



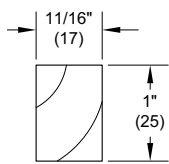
V119  
DRIP CAP-VINYL  
- For use at Head Jamb.  
For use with wood or clad unit including Brick Mould Casing.



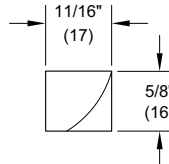
A100  
DRIP CAP-ALUMINUM  
  
-For use at Head Jamb.  
For use with wood or clad unit including  
Brick Mould Casing.  
Available in Bronze, Brown, Evergreen,  
Pebble Gray and White

**Jamb Extension**

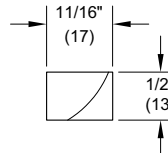
Not to Scale



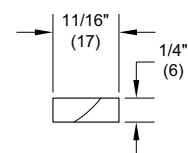
W6120 - 1" (25)  
W6279 - 2' (51)  
W6378 - 3" (76)  
W6380 - 12" (305)



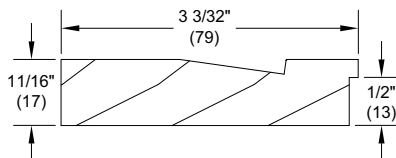
W6012  
4 9/16" to 5 3/16"  
(116 to 132)



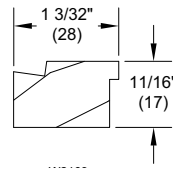
W6011  
4 9/16" to 5 1/16"  
(116 to 129)



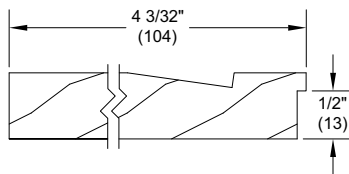
W6010  
4 9/16" to 4 13/16"  
(116 to 122)



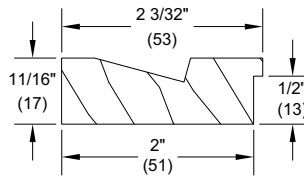
W1071 - 3" (76) For UWDH



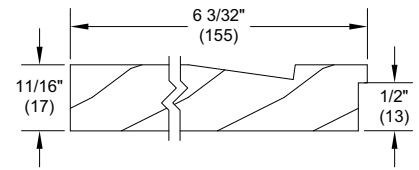
W2109 - 1" (25) For UWDH



W1069 - 4" (102) For UWDH



W2059 - 2" (51) For UWDH

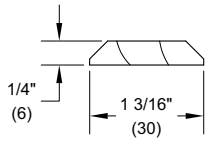


W1067 - 6" (152) For UWDH

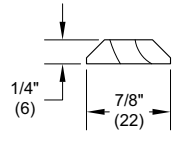
**Interior Trim and Interior Round Top Trim**

Not to Scale

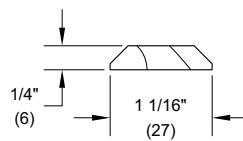
**Interior Trim**



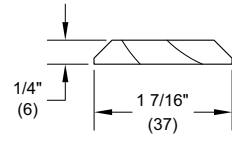
**W1065 - Mullion Trim  
For UWDH Vertical**



**W1195 - Mullion Trim  
For Ultimate Wood  
Inswing French Door**

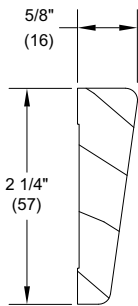


**W1241 - Mullion Trim  
Ultimate Tilt-Turn, Hopper**

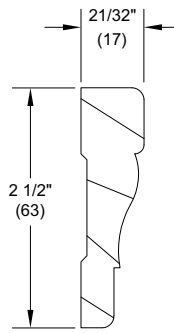


**W1242 -Mullion Trim**

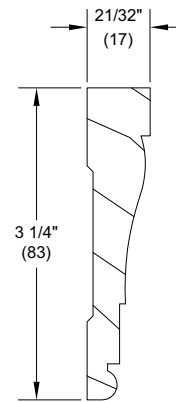
**Interior Round Top (Available in Oak or Pine)**



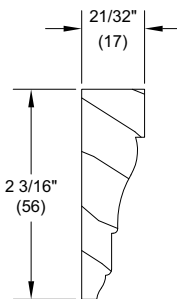
**W1144 - Used as optional  
interior casing for RT and  
Arch French Door Only**



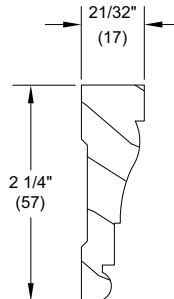
**W1351 - Used as optional  
interior casing for RT and  
Arch French Door Only**



**W1445- Used as optional  
interior casing for RT and  
Arch French Door Only**



**W1366 - Used as optional  
interior casing for RT and  
Arch French Door Only**

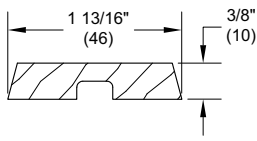


**W1376 - Used as optional  
interior casing for RT and  
Arch French Door Only**

**Wood Exterior Mullion Trim and Wood Exterior Casing**

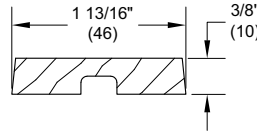
Not to Scale

**Wood Exterior Mullion Trim**



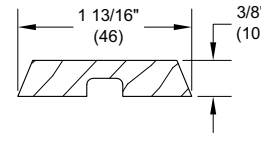
W1185

**W1034 - For Ultimate Gilder**



W1189

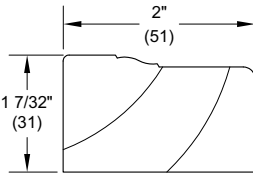
**W1094 - For Ultimate Wood Double Hung Magnum**



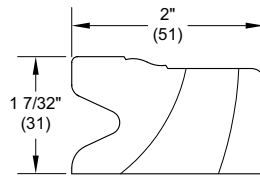
W1187

**W1242 - for 3/8" Mullion Reinforcement**

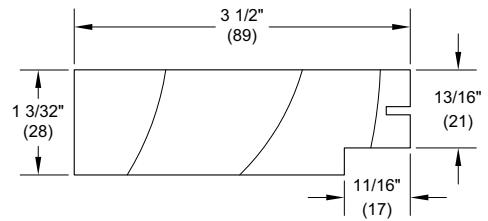
**Exterior Casing**



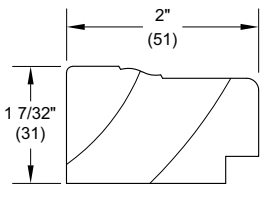
**W1047 - Brick Mould Casing**



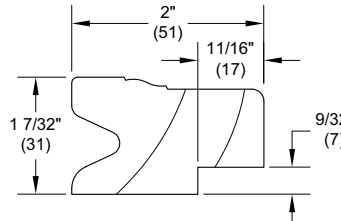
**W1039 - Stucco Brick Mould Casing**



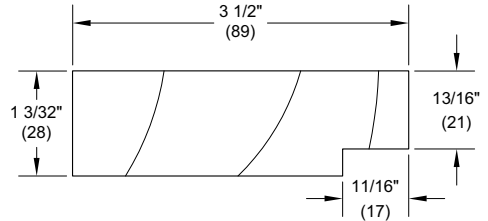
**W1047 - Flat Casing**  
Top casing for Sliding, Swinging and French Doors Includes Screen Kerf



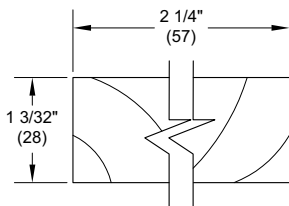
**W6533 - Brick Mould Casing For Ultimate Sliding French Door**



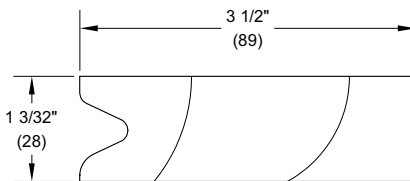
**W1049 - Stucco Brick Mould Casing Side Casing for Ultimate Sliding, Swinging and French Doors**



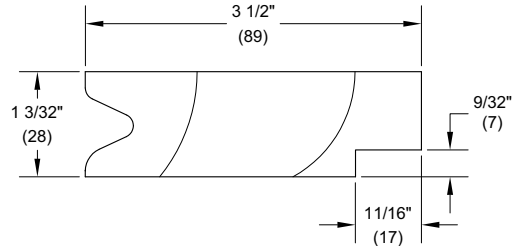
**W1076 - Flat Casing**  
Side Casing for Ultimate Sliding, Swinging and French Doors



**Flat Casing**  
available from 2" to 10"



**W1035 - Stucco Flat Casing**  
3 1/2" for top casing

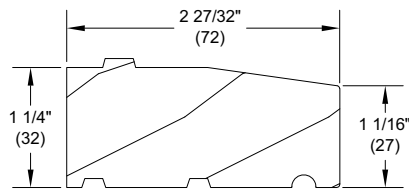


**W1030 - Stucco Flat Casing**  
3 1/2" for side casing

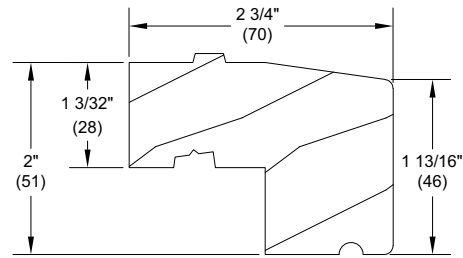
NOTE: 5/4 casing greater than 10", contact your Marvin representative

**Wood Subsills**

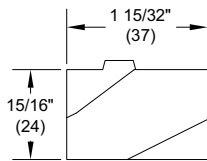
Not to Scale



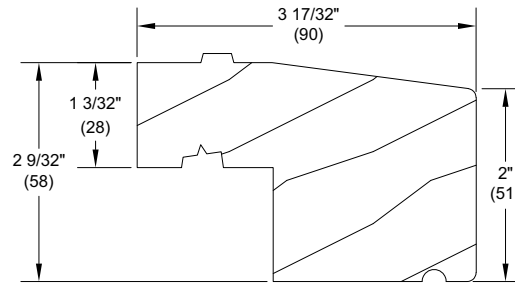
W2122 - Narrow Subsill



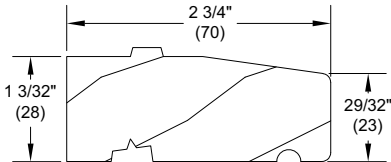
W2165 - 2" Thick Subsill (UWDH)



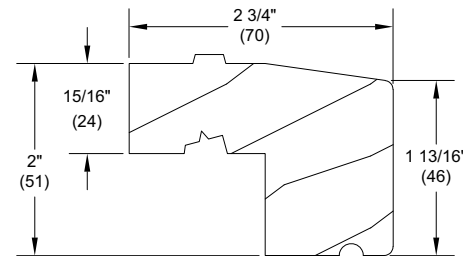
W2124 - Cut Back Subsill



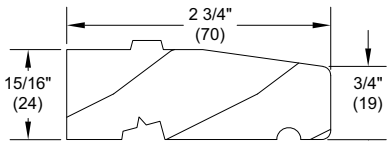
W8063 - 2" Extended Thick Subsill (UWDH)



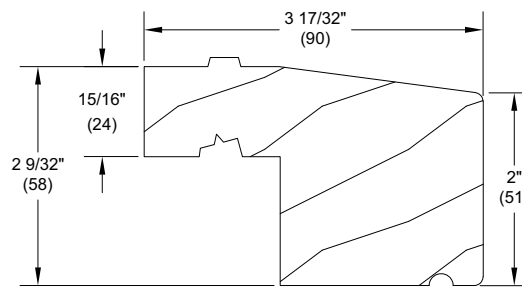
W2134 - Subsill (UWDH)



W10340 - 2" Simulated Thick Subsill (UWCA)



W10333 - Subsill (UWCA)

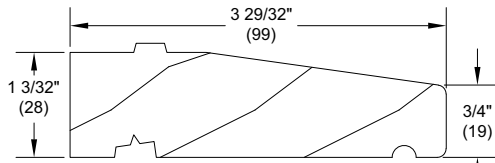


W10341 - 2" Extended Simulated Thick Subsill (UWCA)

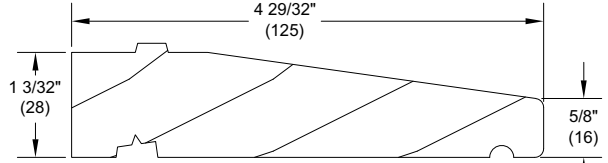
*NOTE: For product compatibility, see chart on next page.*

**Wood Subsills**

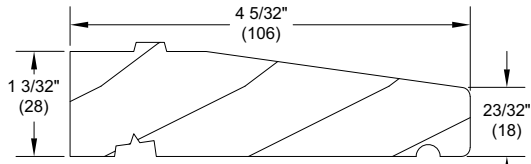
Not to Scale



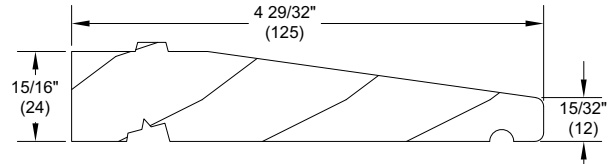
W8002 - 2 1/2" Extended Subsill



W8005 - 3 1/2" Extended Subsill



W8003 - 2 3/4" Extended Subsill



W10342 - 3 1/2" Extended Subsill

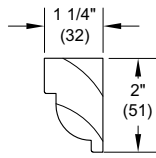
NOTE: For product compatibility, see chart below.

Part #	Description	Product Compatibility
W8063	2" Simulated Thick Subsill	UWDH, UWDHP, UWDHTR, UWDH RT, UWDHRTP, UWDHRTRR, UWDHM, UWDHMP, UWDHMRT, UWDHMRTTP, UWDHMRTTR
W10341	2" Extended Simulated Thick Subsill	UWCA, UAWWN, UWCAP, UWCAPO, UAWWNPO, UWCAPOP, UWCART, UWDG, UWCAPOLY, UWCAFR, UWCAPOFR
W10340	2" Simulated Thick Subsill	UWCA, UAWWN, UWCAP, UWCAPO, UAWWNPO, UWCAPOP, UWCART, UWDG, UWCAPOLY, UWCAFR, UWCAPOFR
W2165	2" Simulated Thick Subsill	UWDH, UWDHP, UWDHTR, UWDH RT, UWDHRTRR, UWDHM, UWDHMP, UWDHMT, UWDHMRT, UWDHMRTTP, UWDHMRTTR
W2134	Subsill	UWDH, UWDHP, UWDHT, UWDH RT, UWDHRTP, UWDHRTRR, UWDHM, UWDHMP, UWDHMTR, UWDHMRT, UWDHMRTTP, UWDHMRTT
W10333	Subsill	UWCA, UAWWN, UWCAP, UWCAPO, UAWWNPO, UWCAPOP, UWCART, UWDG, UWCAPOLY, UWCAFR, UWCAPOFR
W8002	2 1/2" Extended Subsill	UWDH, UWDHP, UWDHT, UWDH RT, UWDHRTP, UWDHRTRR, UWDHM, UWDHMP, UWDHMTR, UWDHMRT, UWDHMRTTP, UWDHMRTTR
W8003	2 3/4" Extended Subsill	UWDH, UWDHP, UWDHT, UWDH RT, UWDHRTP, UWDHRTRR, UWDHM, UWDHMP, UWDHMTR, UWDHMRT, UWDHMRTTP, UWDHMRTTR
W8004	3" Extended Subsill	UWDH, UWDHP, UWDHT, UWDH RT, UWDHRTP, UWDHRTRR, UWDHM, UWDHMP, UWDHMTR, UWDHMRT, UWDHMRTTP, UWDHMRTTR
W8005	3 1/2" Extended Subsill	UWDH, UWDHP, UWDHT, UWDH RT, UWDHRTP, UWDHRTRR, UWDHM, UWDHMP, UWDHMTR, UWDHMRT, UWDHMRTTP, UWDHMRTTR
W10342	3 1/2" Extended Subsill	UWCA, UAWWN, UWCAP, UWCAPO, UAWWNPO, UWCAPOP, UWCART, UWDG, UWCAPOLY, UWCAFR, UWCAPOFR

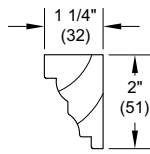


**Wood Special Profile Exterior Casings**

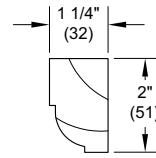
These sections illustrate the profile of each special casing and their dimensions. Each casing is labeled with its availability for lineal and/or round top units. Not all casings are applicable and varying conditions may require consideration for units including screens, combinations, mullions, etc. and may require extended sills. Illustrations shown are not to scale.



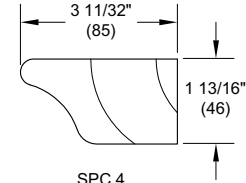
SPC 1  
Lineal Only



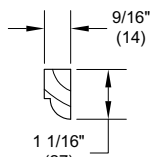
SPC 2  
Lineal & Round Top



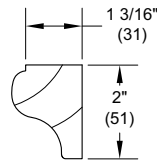
SPC 3  
Lineal & Round Top



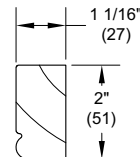
SPC 4  
Lineal & Round Top



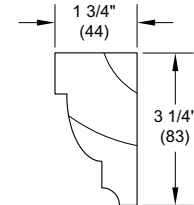
SPC 5  
Lineal Only



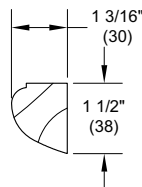
SPC 6  
Lineal & Round Top



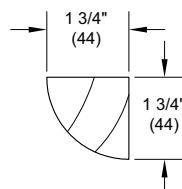
SPC 7  
Lineal & Round Top



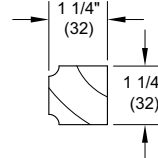
SPC 8  
Lineal & Round Top



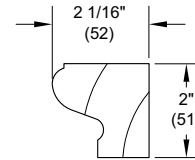
SPC 9  
Lineal & Round Top



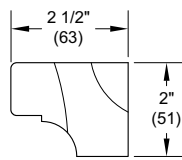
SPC 10  
Lineal & Round Top



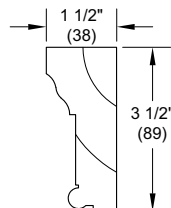
SPC 11  
Lineal Only



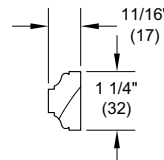
SPC 12  
Lineal & Round Top



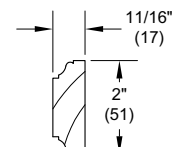
SPC 13  
Lineal & Round Top



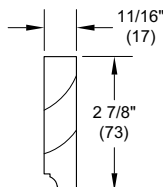
SPC 14  
Lineal & Round Top



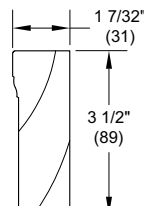
SPC 15  
Lineal Only



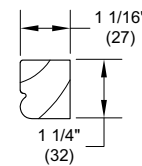
SPC 16  
Lineal Only



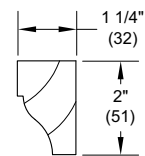
SPC 17  
Lineal Only



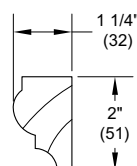
SPC 18  
Lineal & Round Top



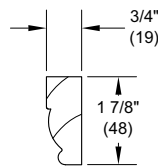
SPC 19  
Lineal & Round Top



SPC 20  
Lineal & Round Top



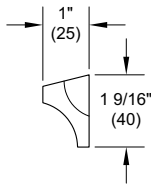
SPC 21  
Lineal & Round Top



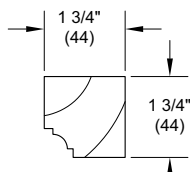
SPC 22  
Lineal Only

**Wood Special Profile Exterior Casings**

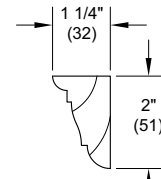
Not to Scale



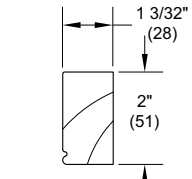
SPC 23  
Lineal Only



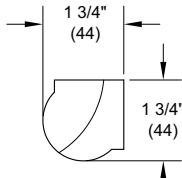
SPC 24  
Lineal & Round Top



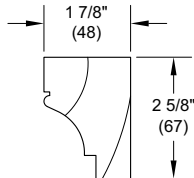
SPC 25  
Lineal & Round Top



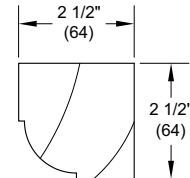
SPC 26  
Lineal & Round Top



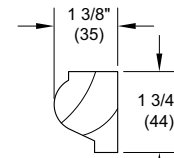
SPC 27  
Lineal & Round Top



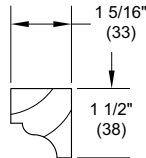
SPC 28  
Lineal & Round Top



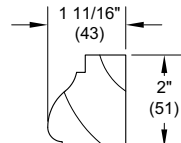
SPC 29  
Lineal & Round Top



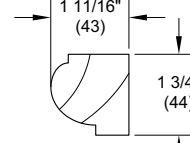
SPC 30  
Lineal & Round Top



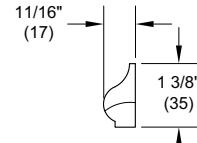
SPC 31  
Lineal & Round Top



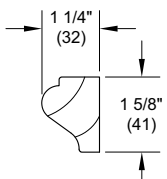
SPC 33  
Lineal Only



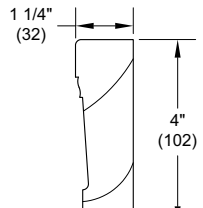
SPC 34  
Lineal Only



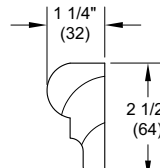
SPC 35  
Lineal Only



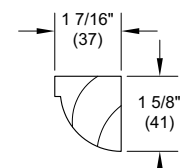
SPC 36  
Lineal & Round Top



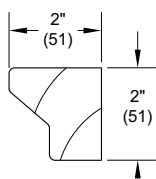
SPC 37  
Lineal Only



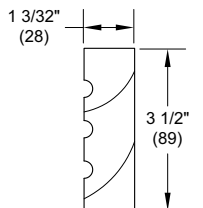
SPC 38  
Lineal Only



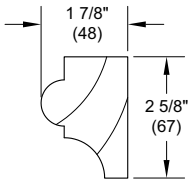
SPC 39  
Lineal Only



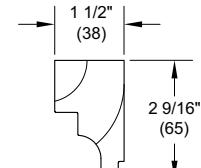
SPC 40  
Lineal Only



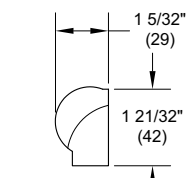
SPC 41  
Lineal Only



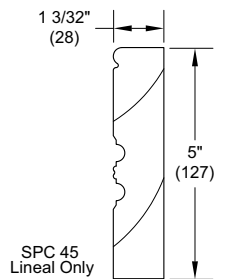
SPC 42  
Lineal & Round Top



SPC 43  
Lineal & Round Top



SPC 44  
Lineal & Round Top

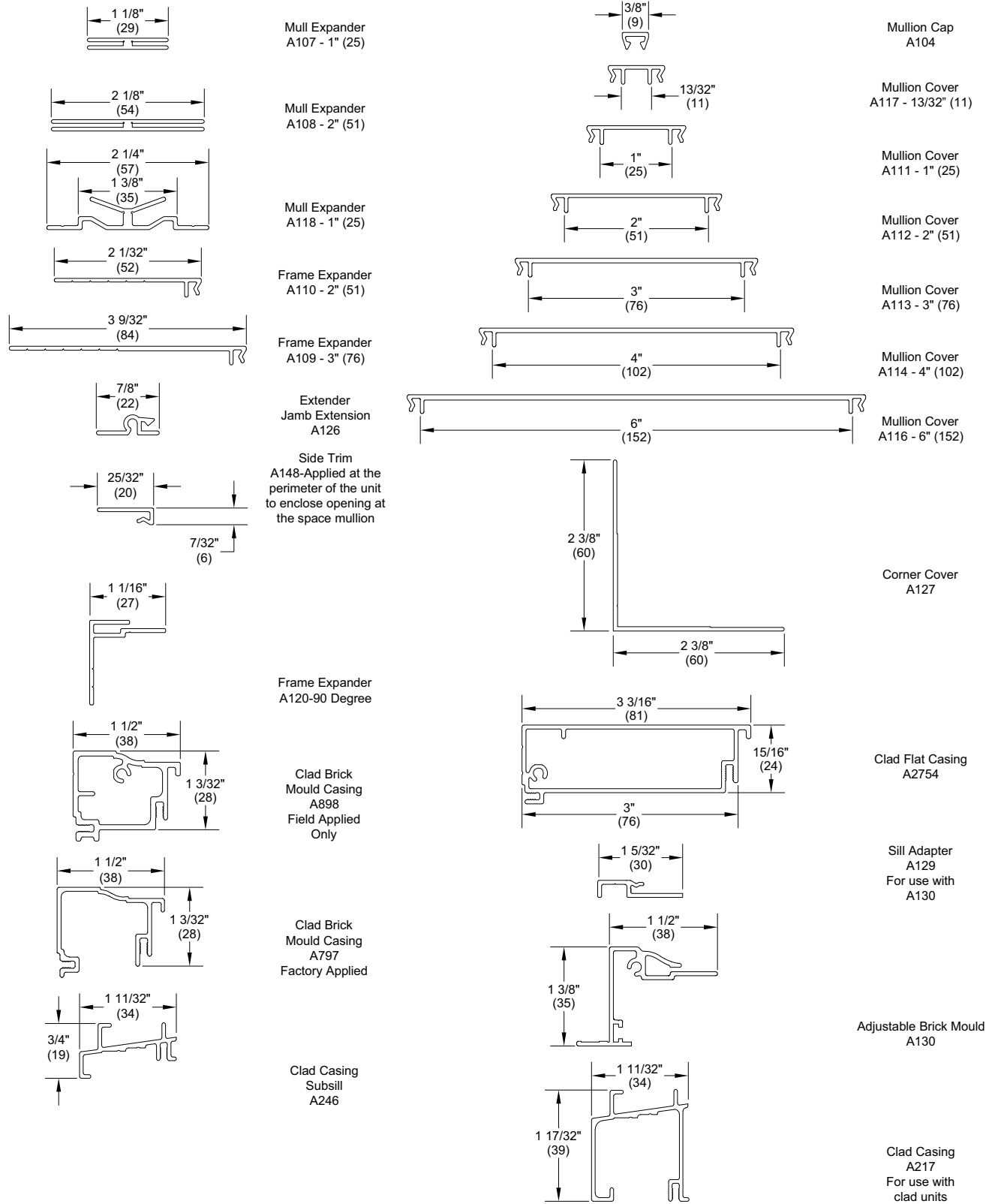


SPC 45  
Lineal Only

*NOTE: Please contact your Marvin representative for specific information and requirements of special casing.*

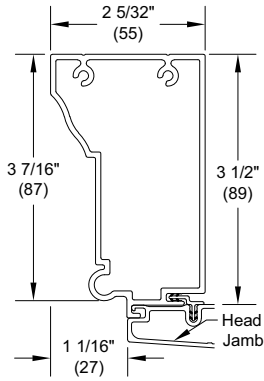
**Clad Extrusion / Clad Casing**

Not to Scale

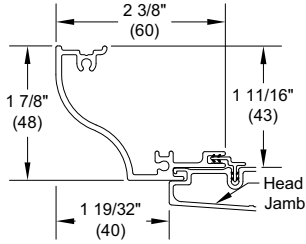


**Clad Special Casing Profiles**

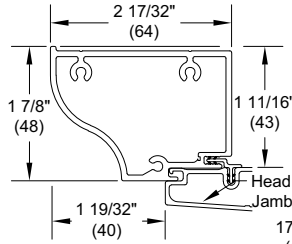
Not to Scale



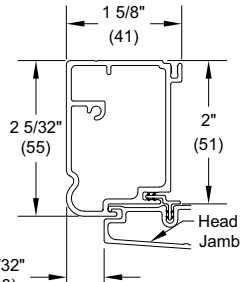
**Columbus  
A1440**



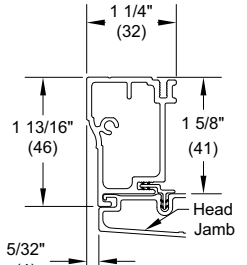
**Thorton  
A1443**



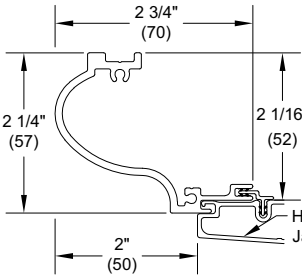
**Thorton Round Top  
A1909**



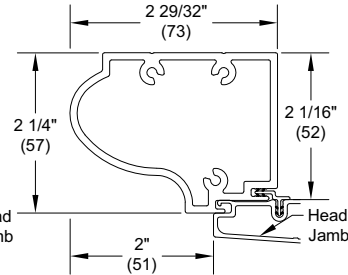
**Grayson  
A1442**



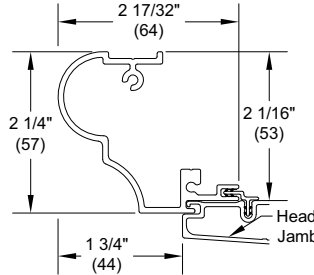
**1 5/8" BMC  
A228**



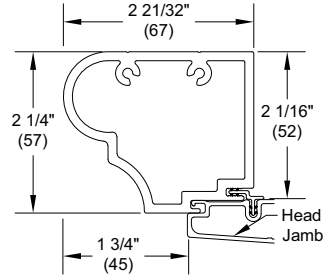
**Ridgeland  
A1446**



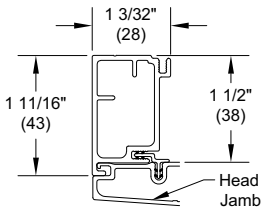
**Ridgeland Round Top  
A2881**



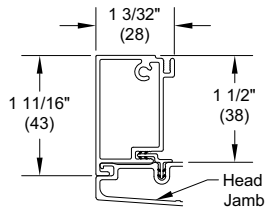
**Stratton  
A1449**



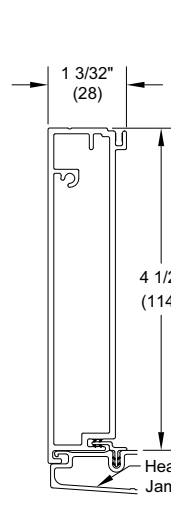
**Stratton Round Top  
A2366**



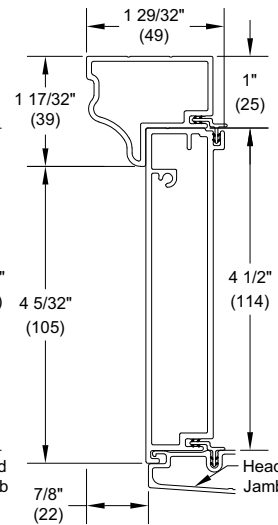
**1 1/2" Flat Casing  
A226  
Round Top**



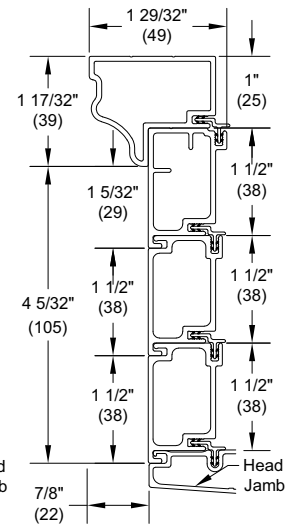
**1 1/2" Flat Casing  
A3069**



**4 1/2" Flat Casing  
A1444**



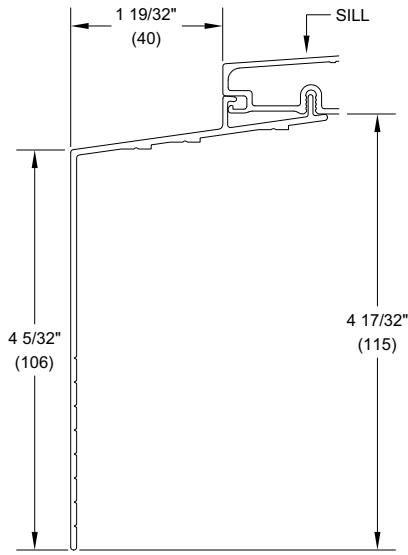
**Potter/4 1/2" FC  
A1445/A1444**



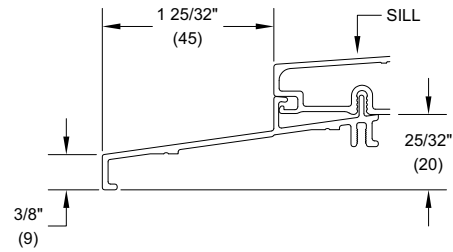
**Potter Round Top  
A1445/A226/A225**

**Clad Special Subsill Profiles**

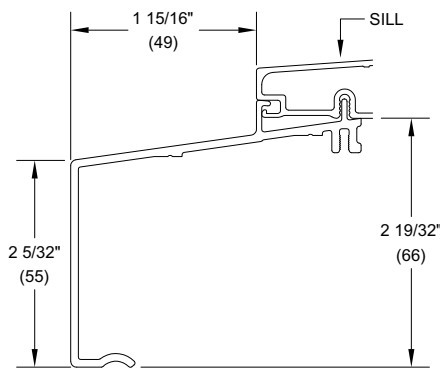
Not to Scale



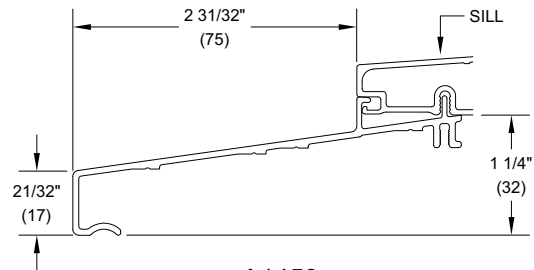
A1451



A1450



A1452



A1453

*NOTE: Maximum R.O. width of 144 R.O. height 96 not to exceed 80 square feet.*

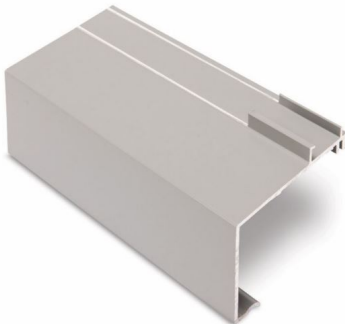
*Not all subsills are compatible with all casings. Please refer to detail pages for compatibility.*

**Clad Subsills with Sill Horns**

Sill horns are available on the A246, A217, A1451, A1452 and A1453 subsills with no casing.

The minimum sill horn length is 1" and the maximum length is 10". Sill horns below the minimum or above the maximum, as well as sill horns with casing applied may be available. Contact a Marvin representative for assistance.

Sill horns will have two 1/8" mill finish lines where tabs have been removed. The finish lines will not be painted - they will be mill finish aluminum. If paint is required, it must be done in the field.

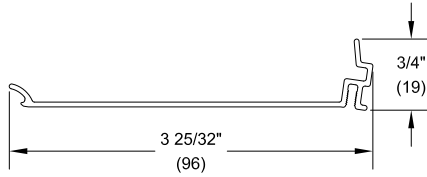


Subsill only with sill horns.

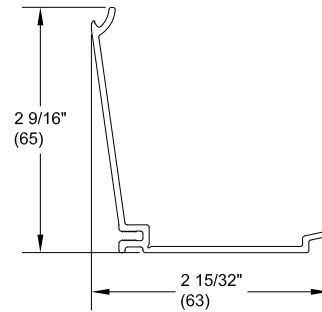
**Lineal Subsill Caps / End Caps**

Not to Scale

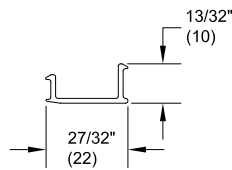
**Lineal Subsill Caps**



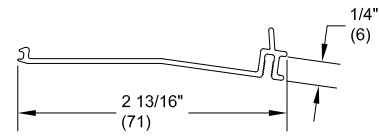
**A1458 Subsill Lineal Cap**  
For A1453



**A1460 Subsill Lineal Cap**  
For A1452

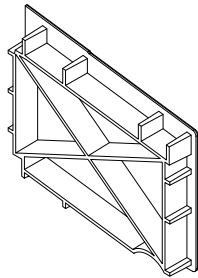


**A1462 Subsill Lineal Cap**  
For A217

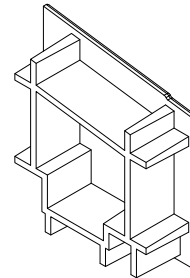


**A1463 Subsill Lineal Cap**  
For A1450

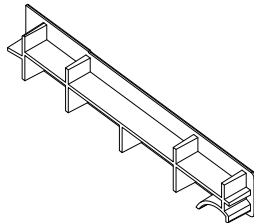
**Subsill End Caps**



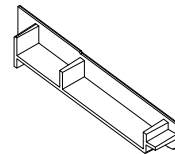
**Subsill End Cap for A1452**



**Subsill End Cap for A217**



**Subsill End Cap for A1453**

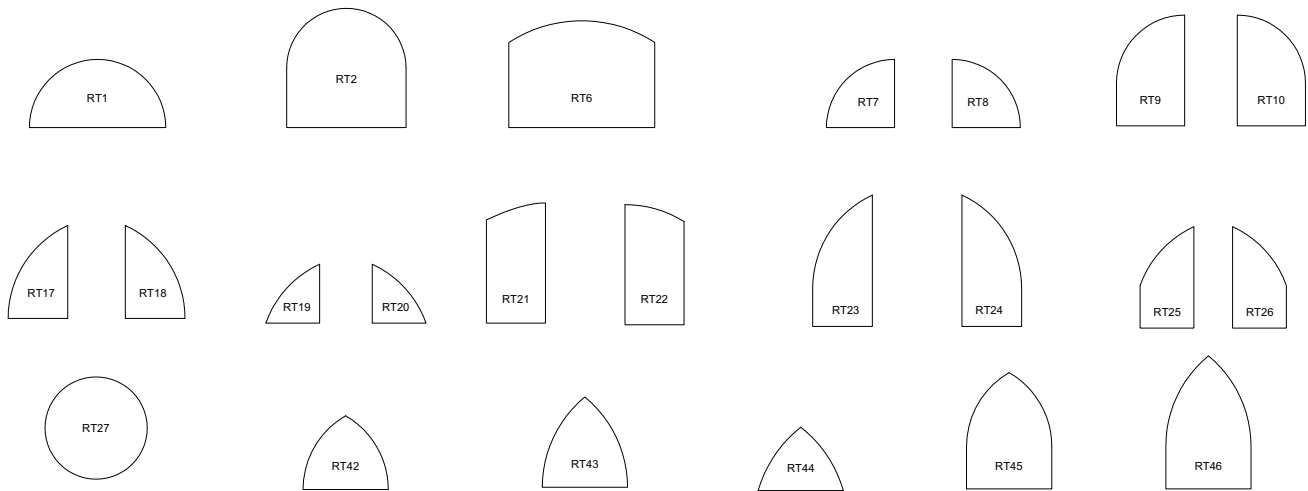


**Subsill End Cap for A1450**

*NOTE: Subsill End Caps are material color matched to standard colors. Custom color orders for Subsills will receive clear End Caps.*

**Round Top Shapes**

Not to Scale



**Minimum Frame Radius for Round Tops:**

Columbus 24" (610)

Grayson 12" (305)

Potter 4 piece 9" (229) - for RT 6, 21, 22, 25, 26

Stratton, Ridgeland, Thorton 10" (254)

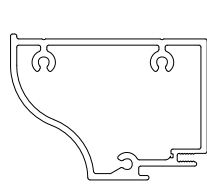
Clad 1 1/2" Flat Casing 9" (229)

A228 Brick Mould 9" (229)

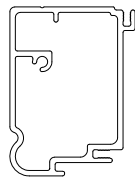
Clad BMC 9" (229)

Clad Flat Casing 9" (229)

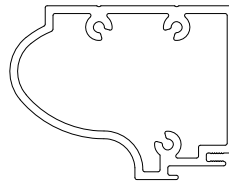
*NOTE: The following casings apply to the shapes shown above.*



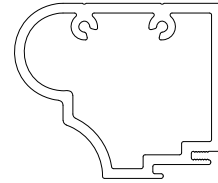
Thorton  
A1909



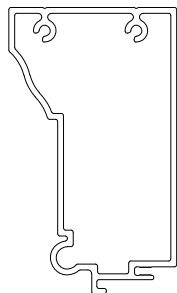
Grayson  
A1442



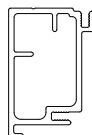
Ridgeland  
A2881



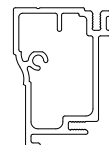
Stratton  
A2366



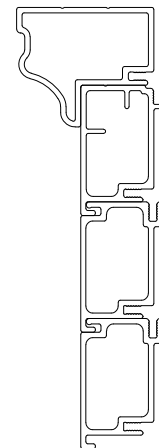
Columbus  
A1440



1 1/2" Flat Casing  
A226  
Round Top



1 5/8" BMC  
A228

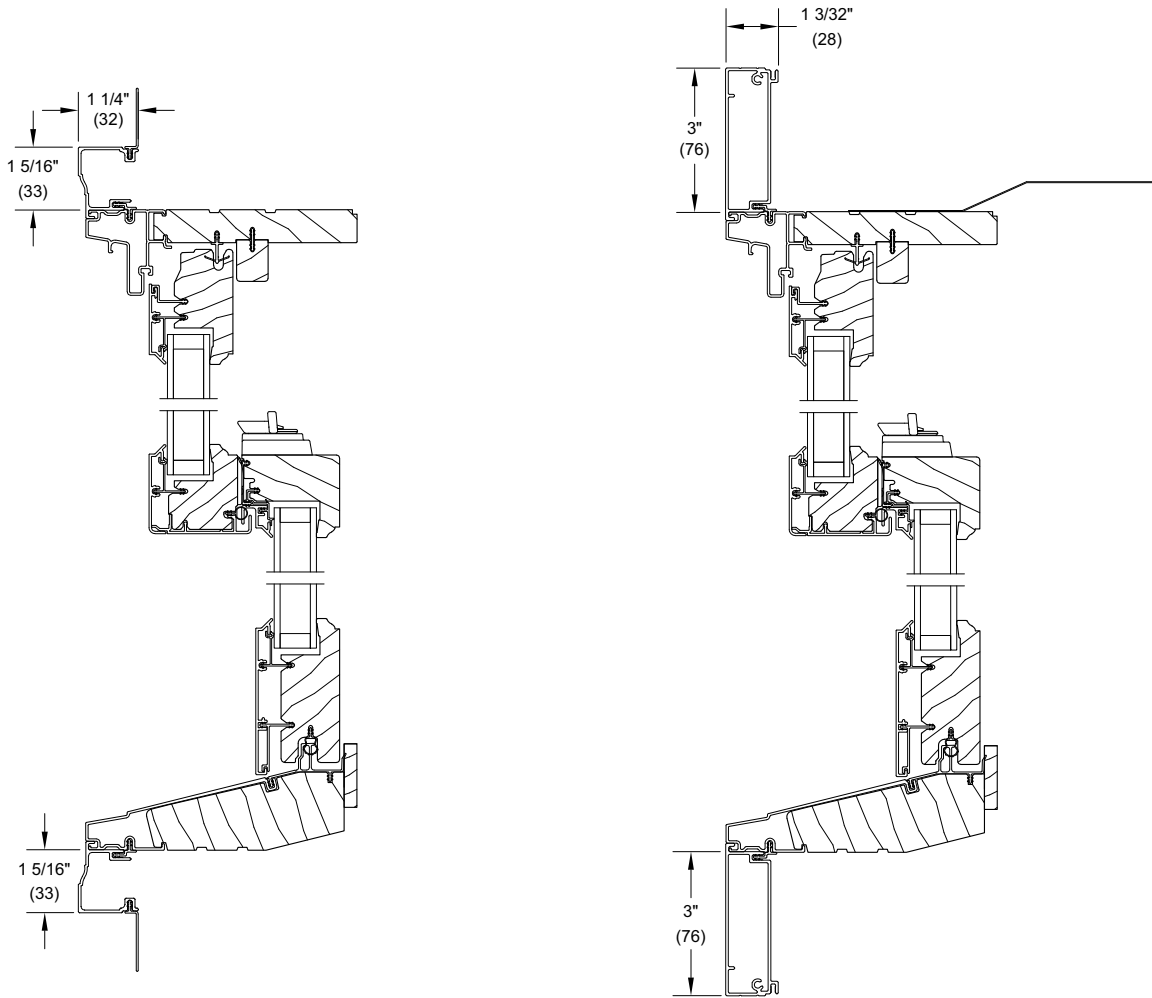


Potter 4 piece  
A1445/A226/A225

*NOTE: Bows/Bays and Arch Top Doors require Architectural approval. For more information please contact your local Marvin representative*

**Clad Special Application for Windows - Casing All Sides**

Not to Scale



Head Jamb and Sill  
with Clad Brick Mould Casing  
Four Sides

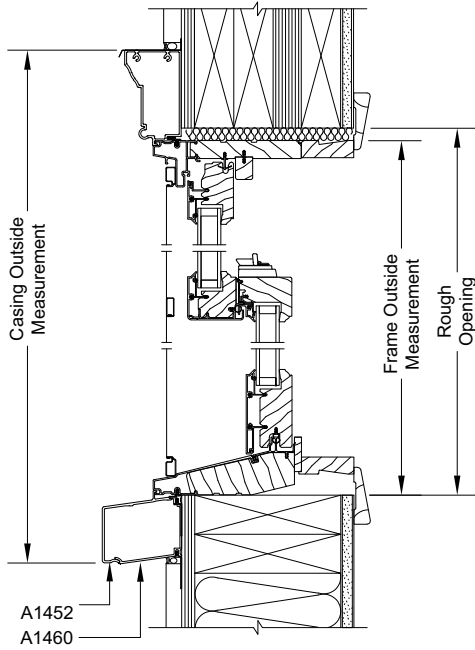
Head Jamb and Sill  
with Clad Flat Casing  
Four Sides

Unit Measurement		Width		Height	
From	To				
Rough Opening		in	mm	in	mm
Masonry Opening w/BMC (all sides)	Rough Opening	-2 1/8	(54)	-1 27/32	(47)
Masonry Opening w/Flat Casing (all sides)	Rough Opening	-5 1/2	(140)	-5 7/32	(133)

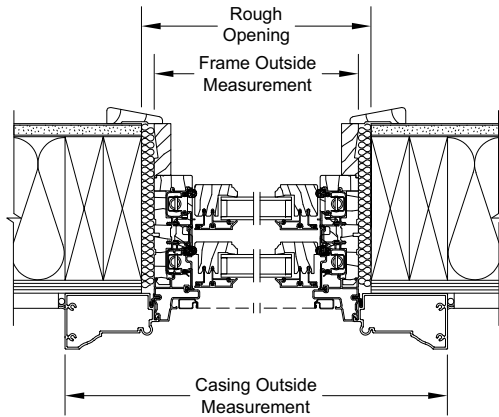
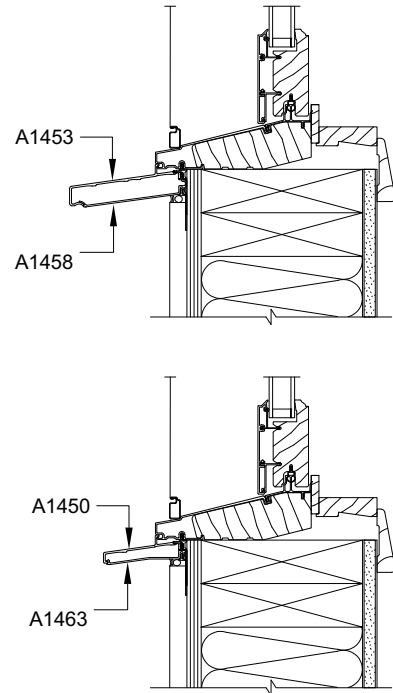


**Clad Special Application for Windows - Columbus Casing Stick Construction**

Not to Scale



Applicable subsills

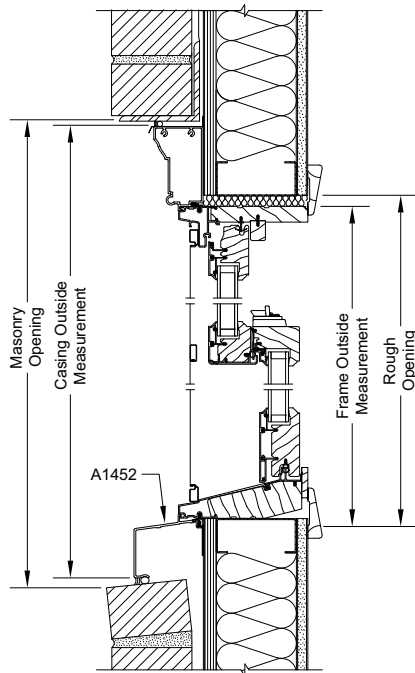


Measurement Conversions for Special Casing Windows				
Casing Type	Subsill Type	RO to FOM	FOM to COM	Masonry Opening
A1440 Columbus	A1450	Width -1.0 Height -1/2	Width +7.0 Height +4 9/32	*Width COM + (Sealant Gap x 2) Height COM + (Sealant Gap x 1)
	A1451	Width -1.0 Height -1/2	Width +7.0 Height +8 1/32	*Width COM + (Sealant Gap x 2) Height COM + (Sealant Gap x 1)
	A1452	Width -1.0 Height -1/2	Width +7.0 Height +6 3/32	*Width COM + (Sealant Gap x 2) Height COM + (Sealant Gap x 1)
	A1453	Width -1.0 Height -1/2	Width +7.0 Height +4 3/4	*Width COM + (Sealant Gap x 2) Height COM + (Sealant Gap x 1)

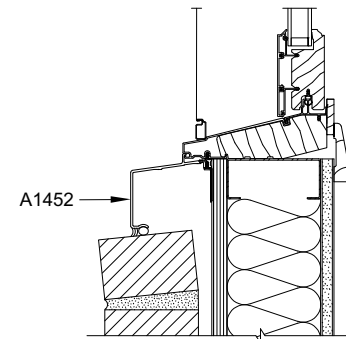
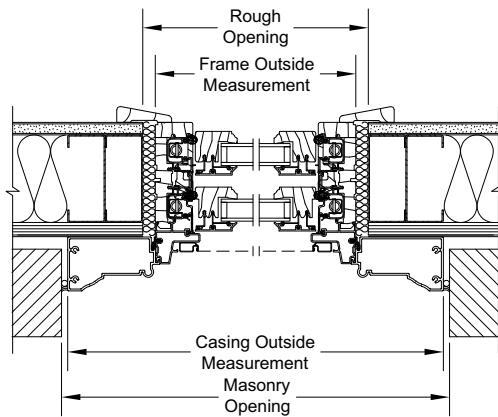
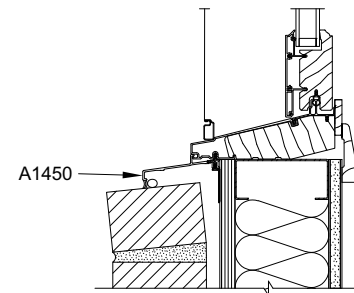
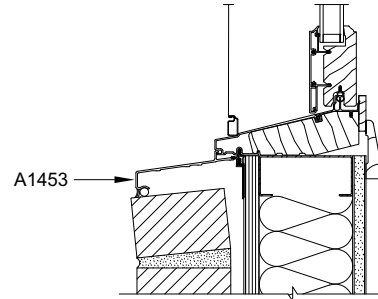
RO: Rough Opening  
FOM: Frame Outside Measurement  
COM: Casing Outside Measurement

NOTE: Sealant gap to be determined by others. Minimum of 1/4" on all four sides recommended

**Clad Special Application for Windows - Columbus Casing Masonry Construction**



Applicable subsills

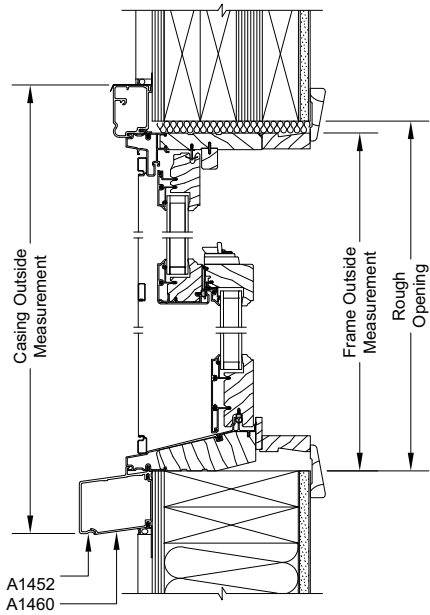


Measurement Conversions for Special Casing Windows				
Casing Type	Subsill Type	RO to FOM	FOM to COM	Masonry Opening
A1440 Columbus	A1450	Width -1.0 Height -1/2	Width +7.0 Height +4 9/32	*Width COM + (Sealant Gap x 2) Height COM + (Sealant Gap x 1)
	A1451	Width -1.0 Height -1/2	Width +7.0 Height +8 1/32	*Width COM + (Sealant Gap x 2) Height COM + (Sealant Gap x 1)
	A1452	Width -1.0 Height -1/2	Width +7.0 Height +6 3/32	*Width COM + (Sealant Gap x 2) Height COM + (Sealant Gap x 1)
	A1453	Width -1.0 Height -1/2	Width +7.0 Height +4 3/4	*Width COM + (Sealant Gap x 2) Height COM + (Sealant Gap x 1)

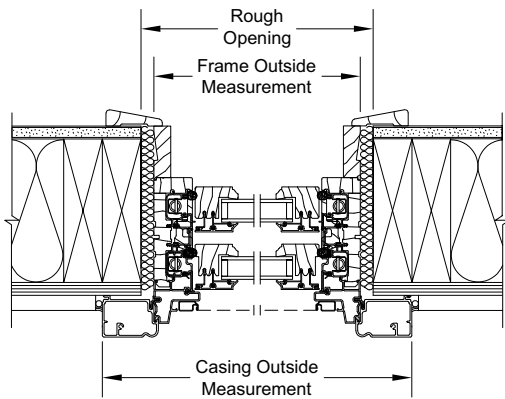
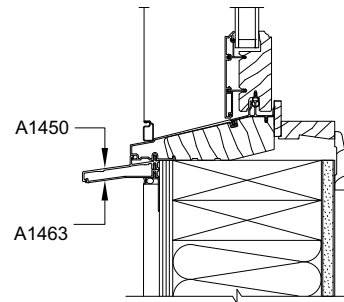
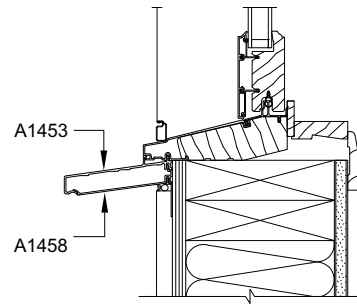
RO: Rough Opening  
FOM: Frame Outside Measurement  
COM: Casing Outside Measurement

NOTE: Sealant gap to be determined by others. Minimum of 1/4" on all four sides recommended

**Clad Special Casing for Windows - Grayson Casing Stick Construction**



Applicable subsills



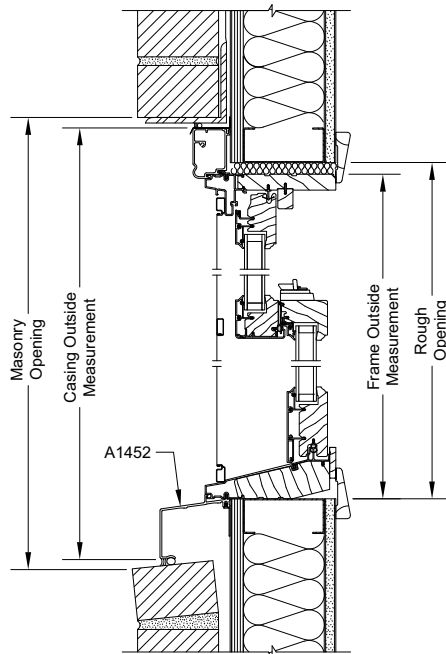
Measurement Conversions for Special Casing Windows				
Casing Type	Subsill Type	RO to FOM	FOM to COM	Masonry Opening
A1442 Grayson	A1450	Width -1.0 Height -1/2	Width +4.0 Height +2 25/32	*Width COM + (Sealant Gap x 2) Height COM + (Sealant Gap x 1)
	A1451	Width -1.0 Height -1/2	Width +4.0 Height +6 17/32	*Width COM + (Sealant Gap x 2) Height COM + (Sealant Gap x 1)
	A1452	Width -1.0 Height -1/2	Width +4.0 Height +4 19/32	*Width COM + (Sealant Gap x 2) Height COM + (Sealant Gap x 1)
	A1453	Width -1.0 Height -1/2	Width +4.0 Height +3 1/4	*Width COM + (Sealant Gap x 2) Height COM + (Sealant Gap x 1)

RO: Rough Opening  
 FOM: Frame Outside Measurement  
 COM: Casing Outside Measurement

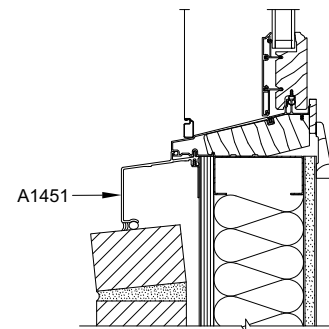
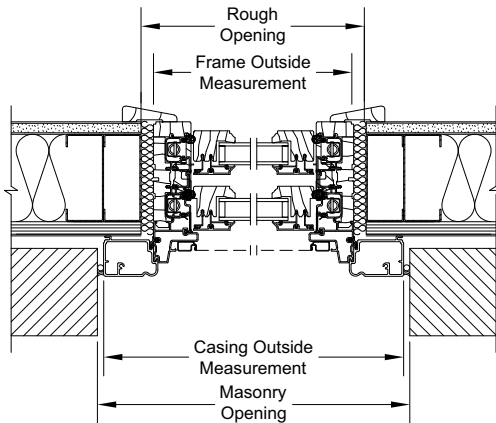
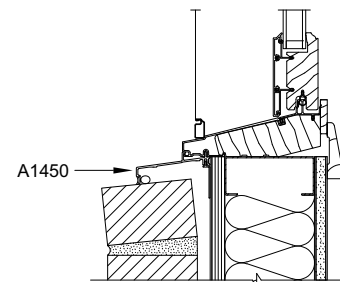
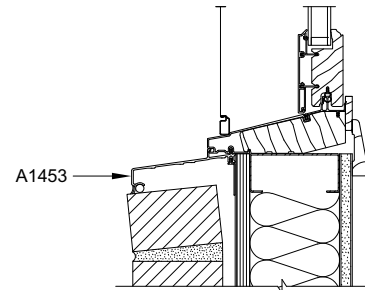
NOTE: Sealant gap to be determined by others. Minimum of 1/4" on all four sides recommended

**Clad Special Casing for Windows - Grayson Casing Masonry Construction**

Not to Scale



Applicable subsills

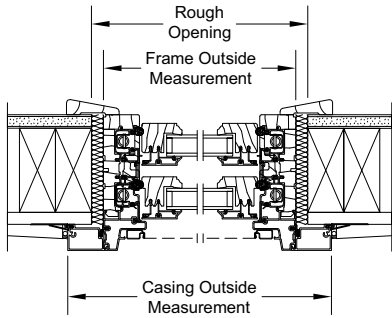
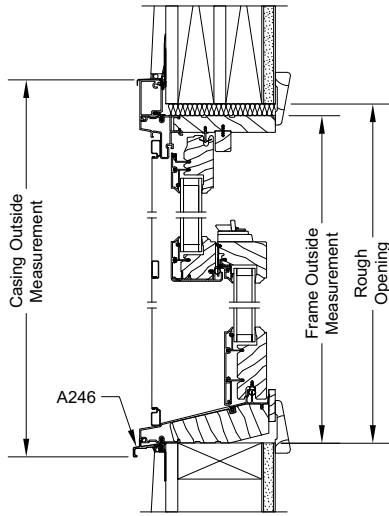


Measurement Conversions for Special Casing Windows				
Casing Type	Subsill Type	RO to FOM	FOM to COM	Masonry Opening
A1442 Grayson	A1450	Width -1.0 Height -1/2	Width +4.0 Height +2 25/32	*Width COM + (Sealant Gap x 2) Height COM + (Sealant Gap x 1)
	A1451	Width -1.0 Height -1/2	Width +4.0 Height +6 17/32	*Width COM + (Sealant Gap x 2) Height COM + (Sealant Gap x 1)
	A1452	Width -1.0 Height -1/2	Width +4.0 Height +4 19/32	*Width COM + (Sealant Gap x 2) Height COM + (Sealant Gap x 1)
	A1453	Width -1.0 Height -1/2	Width +4.0 Height +3 1/4	*Width COM + (Sealant Gap x 2) Height COM + (Sealant Gap x 1)

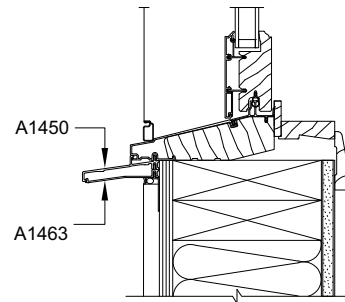
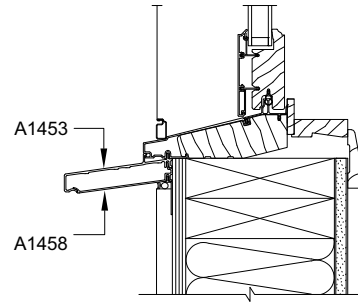
RO: Rough Opening  
FOM: Frame Outside Measurement  
COM: Casing Outside Measurement

NOTE: Sealant gap to be determined by others. Minimum of 1/4" on all four sides recommended

**Clad Special Casing for Windows - 1 1/2" Clad Flat Casing Stick Construction**



Applicable subsills



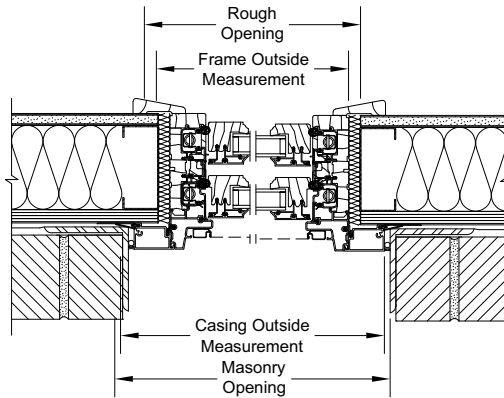
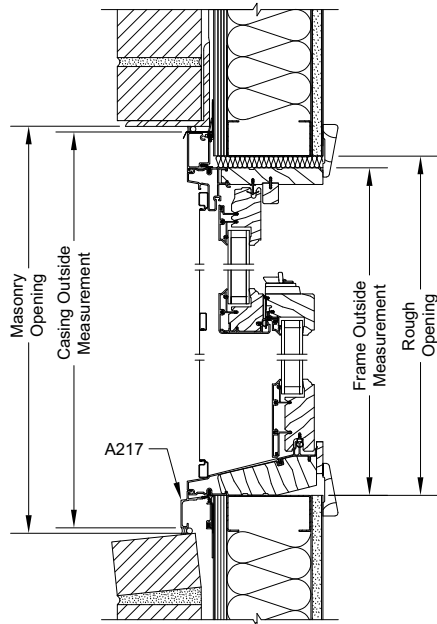
Measurement Conversions for 1 1/2" Clad Flat Casing				
Casing	Subsill	RO to FOM	FOM to COM	Masonry Opening
1 1/2" Clad Flat Casing	A246	Width -1"	Width +3"	Width COM + (sealant gap* x 2)
		Height -1/2"	Height + 2 1/16"	Height COM + (sealant gap* x 1)
	A217	Width -1"	Width +3"	Width COM + (sealant gap* x 2)
		Height -1/2"	Height + 2 27/32"	Height COM + (sealant gap* x 2)
	A1450	Width -1"	Width +3"	Width COM + (sealant gap* x 2)
		Height -1/2"	Height +2 9/32"	Height COM + (sealant gap* x 1)
A1451	Width -1"	Width +3"	Width COM + (sealant gap* x 2)	
	Height -1/2"	Height +6 1 32"	Height COM + (sealant gap* x 1)	
A1452	Width -1"	Width +3"	Width COM + (sealant gap* x 2)	
	Height -1/2"	Height +4 3/32"	Height COM + (sealant gap* x 2)	
A1453	Width -1"	Width +3"	Width COM + (sealant gap* x 2)	
	Height -1/2"	Height +2 3/4"	Height COM + (sealant gap* x 2)	

RO: Rough Opening  
 FOM: Frame Outside Measurement  
 COM: Casing Outside Measurement

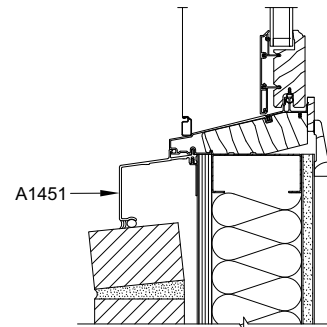
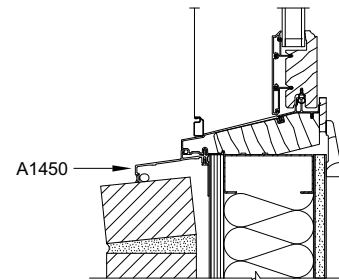
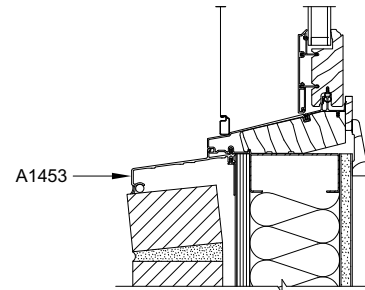
Sealant gap to be determined by others. Minimum of 1/4" on all four sides recommended

**Clad Special Casing for Windows - 1 1/2" Clad Flat Casing Masonry Construction**

Not to Scale



Applicable subsills



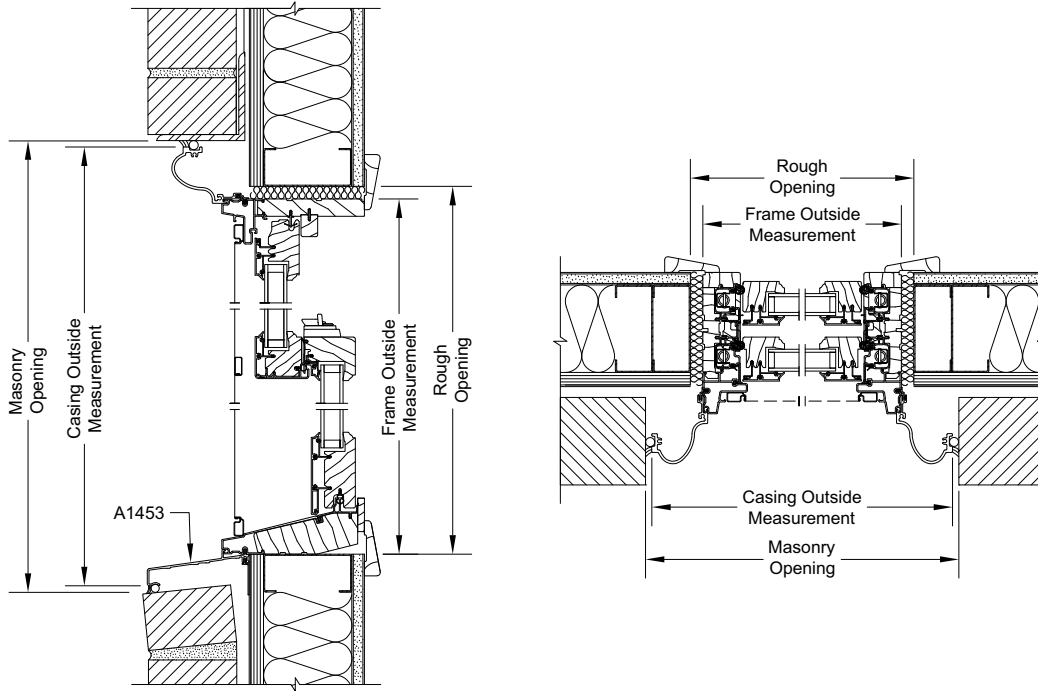
Measurement Conversions for 1 1/2" Clad Flat Casing				
Casing	Subsill	RO to FOM	FOM to COM	Masonry Opening
1 1/2" Clad Flat Casing	A246	Width -1"	Width +3"	Width COM + (sealant gap* x 2)
		Height -1/2"	Height + 2 1/16"	Height COM + (sealant gap* x 1)
	A217	Width -1"	Width +3"	Width COM + (sealant gap* x 2)
		Height -1/2"	Height + 2 27/32"	Height COM + (sealant gap* x 2)
	A1450	Width -1"	Width +3"	Width COM + (sealant gap* x 2)
		Height -1/2"	Height +2 9/32"	Height COM + (sealant gap* x 1)
A1451	Width -1"	Width +3"	Width COM + (sealant gap* x 2)	
	Height -1/2"	Height +6 1 32"	Height COM + (sealant gap* x 1)	
A1452	Width -1"	Width +3"	Width COM + (sealant gap* x 2)	
	Height -1/2"	Height +4 3/32"	Height COM + (sealant gap* x 2)	
A1453	Width -1"	Width +3"	Width COM + (sealant gap* x 2)	
	Height -1/2"	Height +2 3/4"	Height COM + (sealant gap* x 2)	

RO: Rough Opening  
 FOM: Frame Outside Measurement  
 COM: Casing Outside Measurement

Sealant gap to be determined by others. Minimum of 1/4" on all four sides recommended

**Clad Special Casing for Windows - Ridgeland Casing Masonry Construction**

Not to Scale



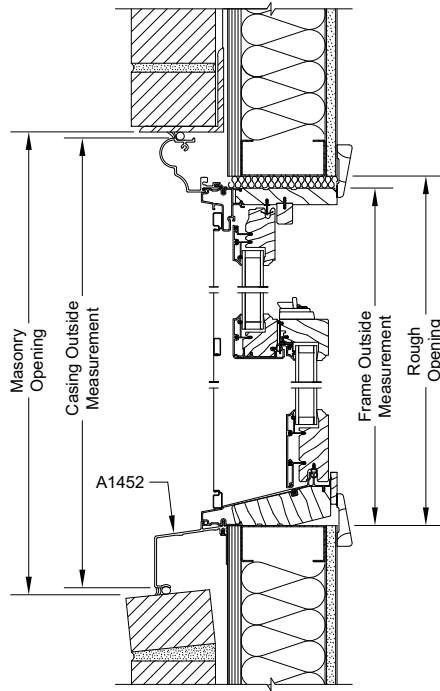
Measurement Conversions for Special Casing Windows				
Casing Type	Subsill Type	RO to FOM	FOM to COM	Masonry Opening
A1446	A1453	Width -1.0	Width +4 1/8	*Width COM + (Sealant Gap x 2)
Ridgeland		Height -1/2	Height +3 5/16	Height COM + (Sealant Gap x 1)

RO: Rough Opening  
 FOM: Frame Outside Measurement  
 COM: Casing Outside Measurement

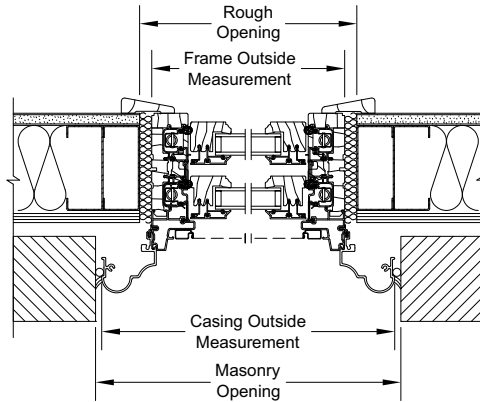
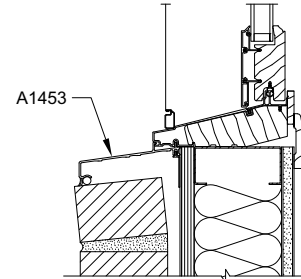
NOTE: Sealant gap to be determined by others. Minimum of 1/4" on all four sides recommended

**Clad Special Casing for Windows - Stratton Casing Masonry**

Not to Scale



Applicable subsills



Measurement Conversions for Special Casing Windows				
Casing Type	Subsill Type	RO to FOM	FOM to COM	Masonry Opening
A1449 Stratton	A1452	Width -1.0	Width +4 5/32	*Width COM + (Sealant Gap x 2)
		Height -1/2	Height +4 21/32	Height COM + (Sealant Gap x 1)
	A1453	Width -1.0	Width +4 5/32	*Width COM + (Sealant Gap x 2)
		Height -1/2	Height +3 5/16	Height COM + (Sealant Gap x 1)

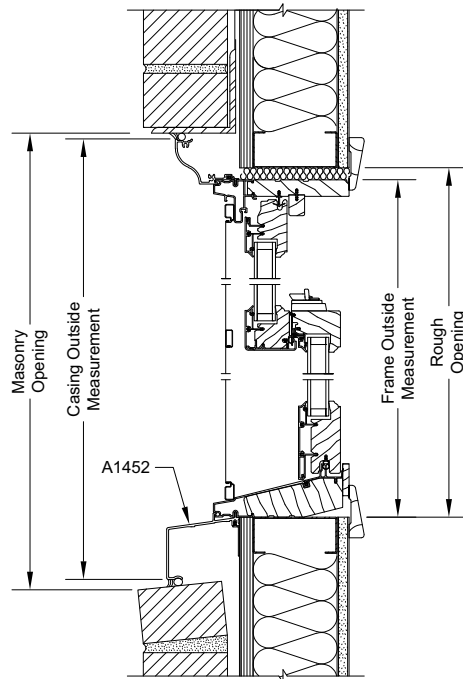
RO: Rough Opening  
 FOM: Frame Outside Measurement  
 COM: Casing Outside Measurement

NOTE: Sealant gap to be determined by others. Minimum of 1/4" on all four sides recommended

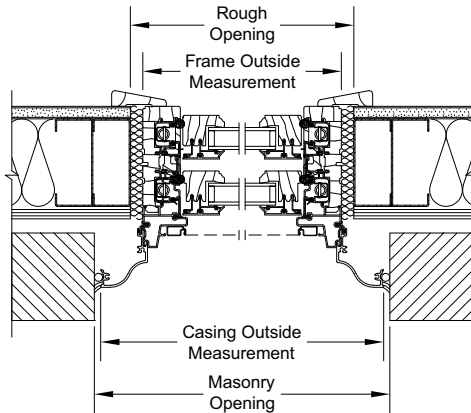
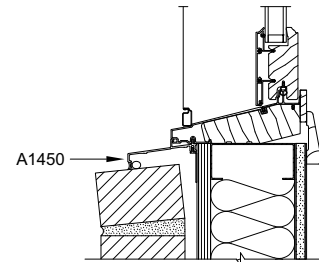
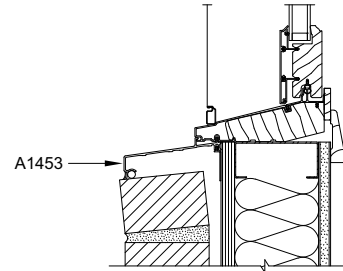


**Clad Special Casing for Windows - Thorton Casing Masonry Construction**

Not to Scale



Applicable subsills



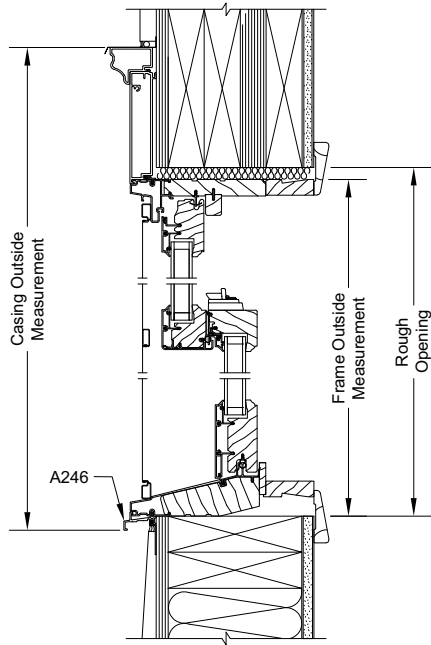
Measurement Conversions for Special Casing Windows				
Casing Type	Subsill Type	RO to FOM	FOM to COM	Masonry Opening
A1443 Thorton	A1450	Width -1.0 Height -1/2	Width +3 13/32 Height +2 15/32	*Width COM + (Sealant Gap x 2) Height COM + (Sealant Gap x 1)
	A1452	Width -1.0 Height -1/2	Width +3 13/32 Height +4 9/32	*Width COM + (Sealant Gap x 2) Height COM + (Sealant Gap x 1)
	A1453	Width -1.0 Height -1/2	Width +3 13/32 Height +2 15/16	*Width COM + (Sealant Gap x 2) Height COM + (Sealant Gap x 1)

RO: Rough Opening  
FOM: Frame Outside Measurement  
COM: Casing Outside Measurement

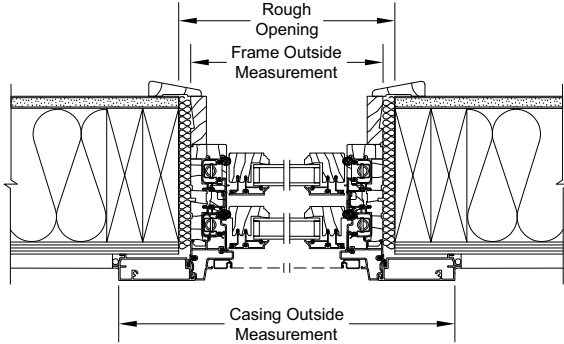
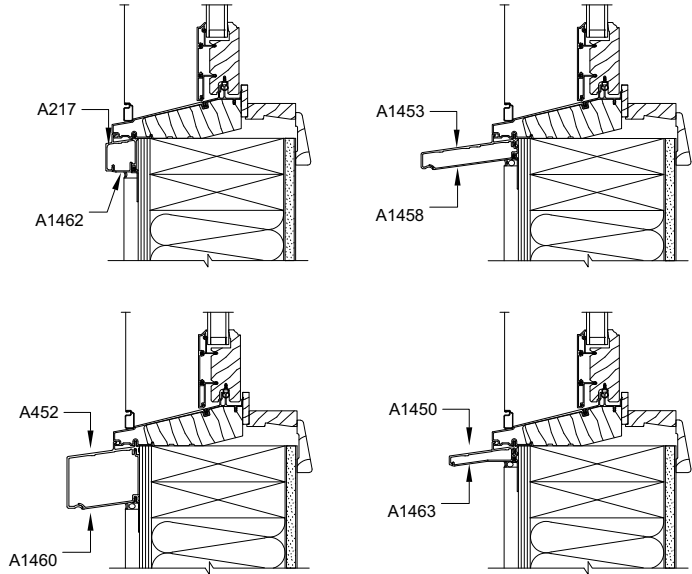
NOTE: Sealant gap to be determined by others. Minimum of 1/4" on all four sides recommended

**Clad Special Casing for Windows - Potter Casing Wood Frame Construction**

Not to Scale



Applicable Subsills



Measurement Conversions for Special Casing Windows				
Casing Type	Subsill Type	RO to FOM	FOM to COM	Masonry Opening
A1444/A1445 Potter	A1450	Width -1.0 Height -1/2	Width +6.0 Height +6 9/32	*Width COM + (Sealant Gap x 2) Height COM + (Sealant Gap x 1)
	A1451	Width -1.0 Height -1/2	Width +6.0 Height +10 1/32	*Width COM + (Sealant Gap x 2) Height COM + (Sealant Gap x 1)
	A1452	Width -1.0 Height -1/2	Width +6.0 Height +8 3/32	*Width COM + (Sealant Gap x 2) Height COM + (Sealant Gap x 1)
	A1453	Width -1.0 Height -1/2	Width +6.0 Height +6 3/4	*Width COM + (Sealant Gap x 2) Height COM + (Sealant Gap x 1)

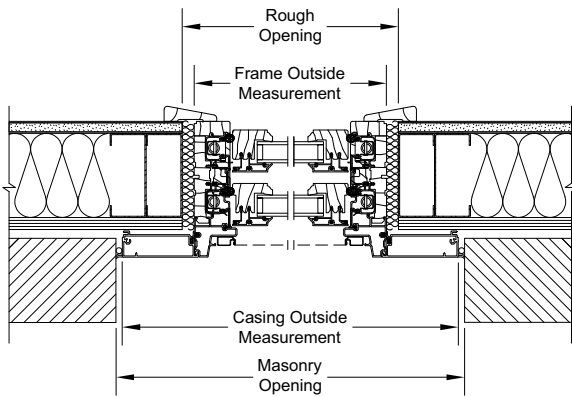
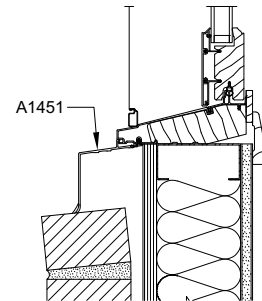
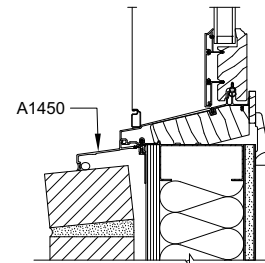
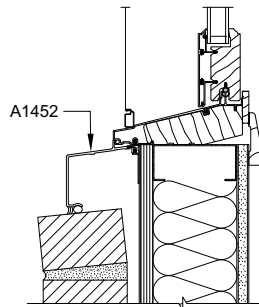
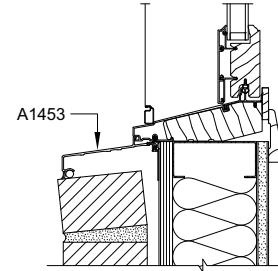
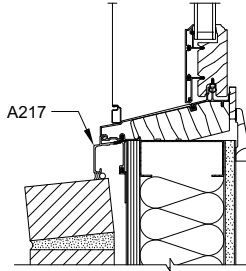
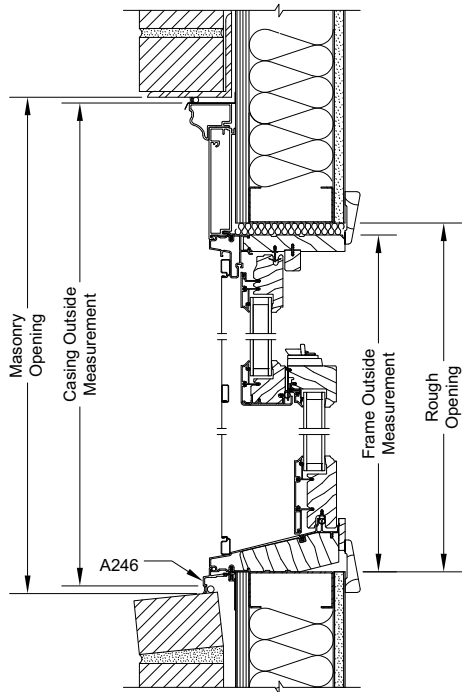
RO: Rough Opening  
 FOM: Frame Outside Measurement  
 COM: Casing Outside Measurement

NOTE: Sealant gap to be determined by others. Minimum of 1/4" on all four sides recommended

**Clad Special Casing for Windows - Potter with Trim Casing Masonry Construction**

Not to Scale

Applicable subsills



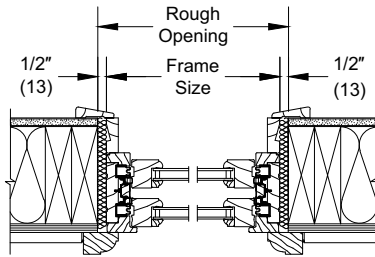
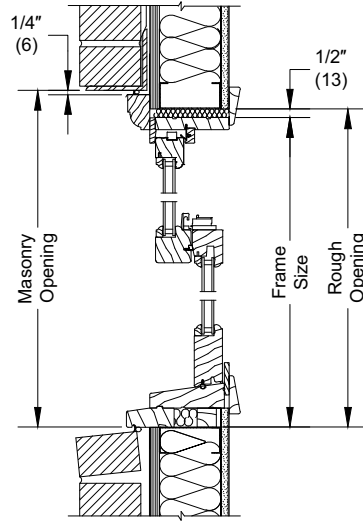
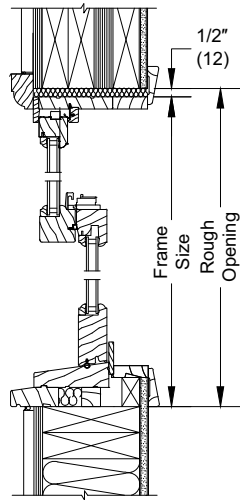
Measurement Conversions for Special Casing Windows				
Casing Type	Subsill Type	RO to FOM	FOM to COM	Masonry Opening
A1444/A1445 Potter w/Trim	A1450	Width -1.0 Height -1/2	Width +6.0 Height +6 9/32	*Width COM + (Sealant Gap x 2) Height COM + (Sealant Gap x 1)
	A1451	Width -1.0 Height -1/2	Width +6.0 Height +10 1/32	*Width COM + (Sealant Gap x 2) Height COM + (Sealant Gap x 1)
	A1452	Width -1.0 Height -1/2	Width +6.0 Height +8 3/32	*Width COM + (Sealant Gap x 2) Height COM + (Sealant Gap x 1)
	A1453	Width -1.0 Height -1/2	Width +6.0 Height +6 3/4	*Width COM + (Sealant Gap x 2) Height COM + (Sealant Gap x 1)

RO: Rough Opening  
FOM: Frame Outside Measurement  
COM: Casing Outside Measurement

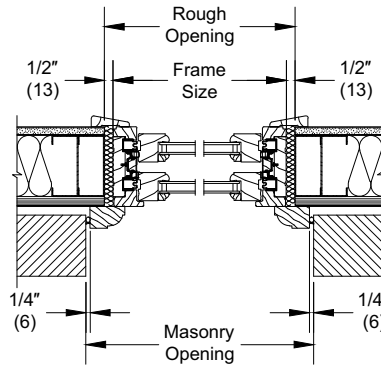
NOTE: Sealant gap to be determined by others. Minimum of 1/4" on all four sides recommended

**Wood Special Casing for Windows - Special Casing 3 (SPC3)**

Not to Scale



WOOD SIDING W/ 2X6  
FRAME CONSTRUCTION

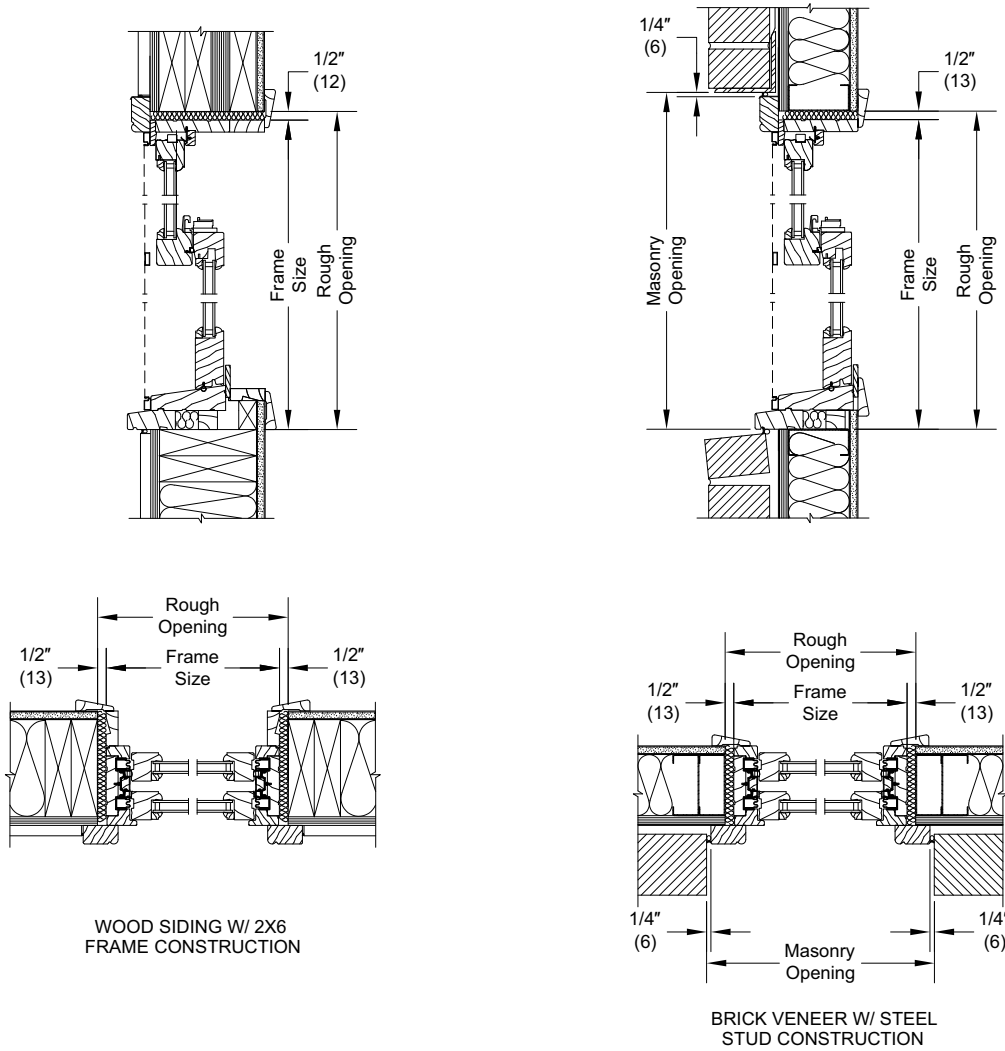


BRICK VENEER W/ STEEL  
STUD CONSTRUCTION

Unit Measurement			Width		Height	
From		To	in	mm	in	mm
UWCA Collection	Masonry Opening w/SPC3	Rough Opening	-2 5/8	(67)	-1 5/16	(33)
UWDH Collection	Masonry Opening w/SPC3	Rough Opening	-2 1/8	(54)	-1 1/16	(27)
Ultimate Wood Direct Glaze	Masonry Opening w/SPC3	Rough Opening	-2 1/2	(64)	-1 1/4	(32)
All Doors	Masonry Opening w/SPC3	Rough Opening	-2 1/8	(54)	-1 1/16	(27)

**Wood Special Casing for Windows - Special Casing 7 (SPC7)**

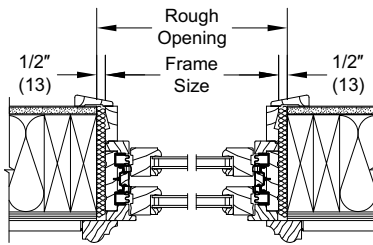
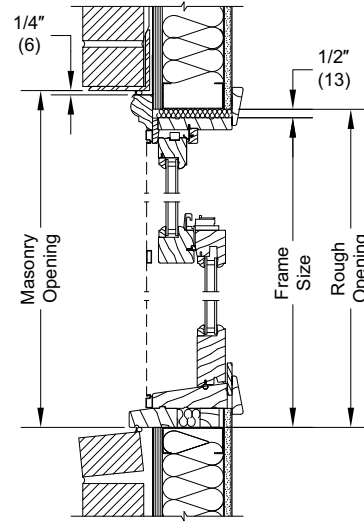
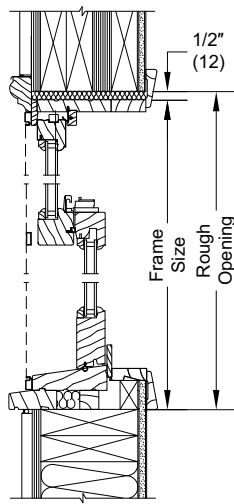
Not to Scale



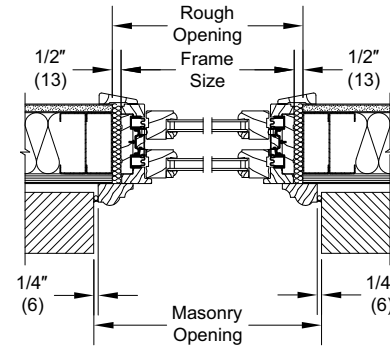
Unit Measurement			Width		Height	
From		To	in	mm	in	mm
UWCA Collection	Masonry Opening w/SPC7	Rough Opening	-2 5/8	(67)	-1 5/16	(33)
UWDH Collection	Masonry Opening w/SPC7	Rough Opening	-2 1/8	(54)	-1 1/16	(27)
Ultimate Wood Direct Glaze	Masonry Opening w/SPC7	Rough Opening	-2 1/2	(64)	-1 1/4	(32)
All Doors	Masonry Opening w/SPC7	Rough Opening	-2 1/8	(54)	-1 1/16	(27)

**Wood Special Casing for Windows - Special Casing 21 (SPC21)**

Not to Scale



WOOD SIDING W/ 2X6  
FRAME CONSTRUCTION

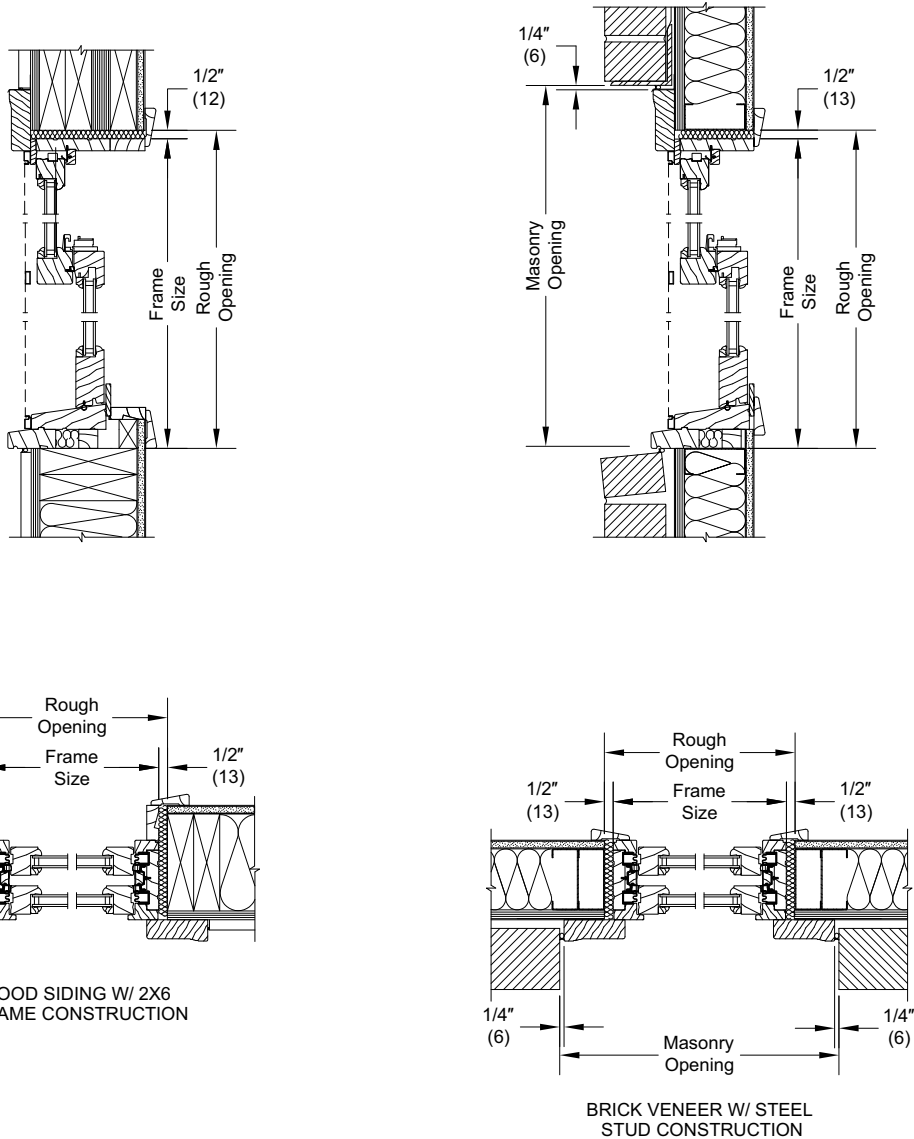


BRICK VENEER W/ STEEL  
STUD CONSTRUCTION

Unit Measurement			Width		Height	
From		To	in	mm	in	mm
UWCA Collection	Masonry Opening w/SPC21	Rough Opening	-2 5/8	(67)	-1 5/16	(33)
UWDH Collection	Masonry Opening w/SPC21	Rough Opening	-2 1/8	(54)	-1 1/16	(27)
Ultimate Wood Direct Glaze	Masonry Opening w/SPC21	Rough Opening	-2 1/2	(64)	-1 1/4	(32)
All Doors	Masonry Opening w/SPC21	Rough Opening	-2 1/8	(54)	-1 1/16	(27)

**Wood Special Casing for Windows - Special Casing 18 (SPC18)**

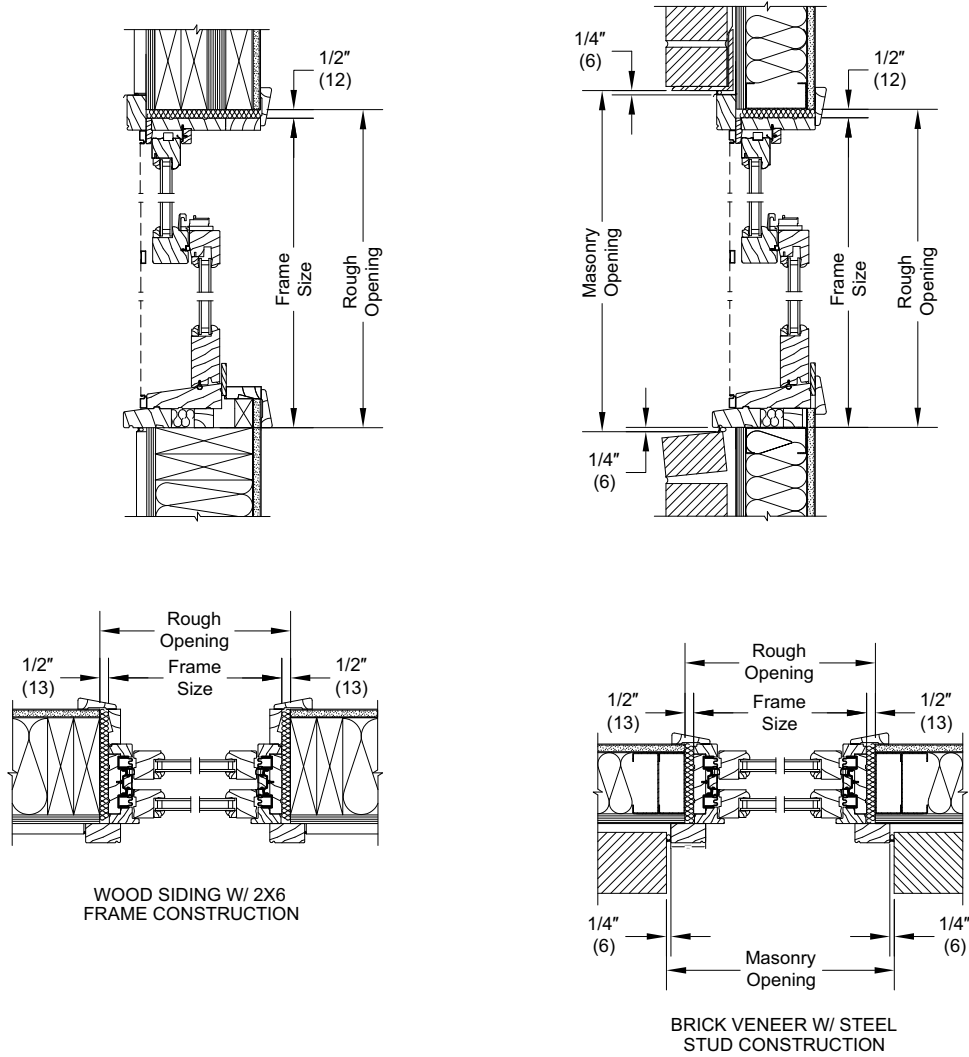
Not to Scale



Unit Measurement			Width		Height	
From		To	in	mm	in	mm
UWCA Collection	Masonry Opening w/SPC18	Rough Opening	-5 5/8	(143)	-2 13/16	(71)
UWDH Collection	Masonry Opening w/SPC18	Rough Opening	-5 1/8	(130)	-2 9/16	(65)
Ultimate Wood Direct Glaze	Masonry Opening w/SPC18	Rough Opening	-5 1/2	(140)	-2 3/4	(70)
All Doors	Masonry Opening w/SPC18	Rough Opening	-5 1/8	(130)	-2 9/16	(65)

**Wood Special Casing for Windows - Special Casing 26 (SPC26)**

Not to Scale

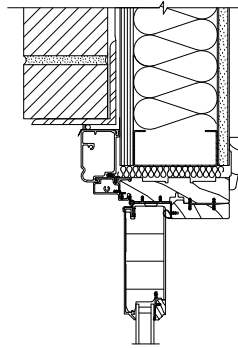
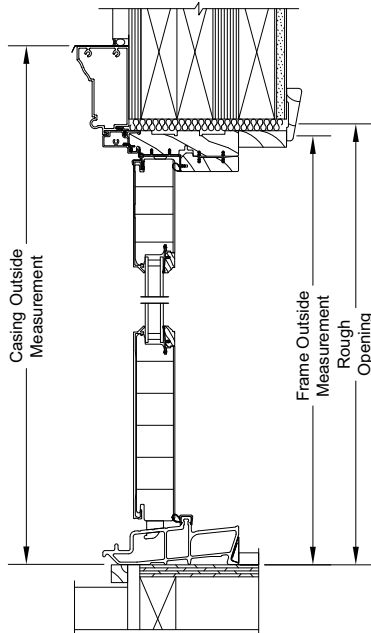


Unit Measurement			Width		Height	
From		To	in	mm	in	mm
UWCA Collection	Masonry Opening w/SPC26	Rough Opening	-2 5/8	(67)	-1 5/16	(33)
UWDH Collection	Masonry Opening w/SPC26	Rough Opening	-2 1/8	(54)	-1 1/16	(27)
Ultimate Wood Direct Glaze	Masonry Opening w/SPC26	Rough Opening	-2 1/2	(64)	-1 1/4	(32)
All Doors	Masonry Opening w/SPC26	Rough Opening	-2 1/8	(54)	-1 1/16	(27)

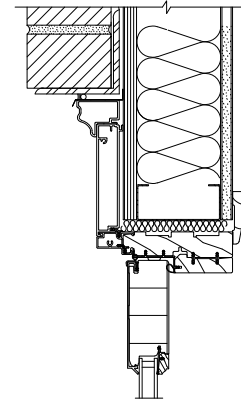


**Clad Special Casing for Doors - Wood Frame Construction - All Casings Options**

Not to Scale



**A1442 Grayson Casing**



**A14424/1445 2 Pc. Potter Casing**

**A1440 Columbus Casing Stick Construction**

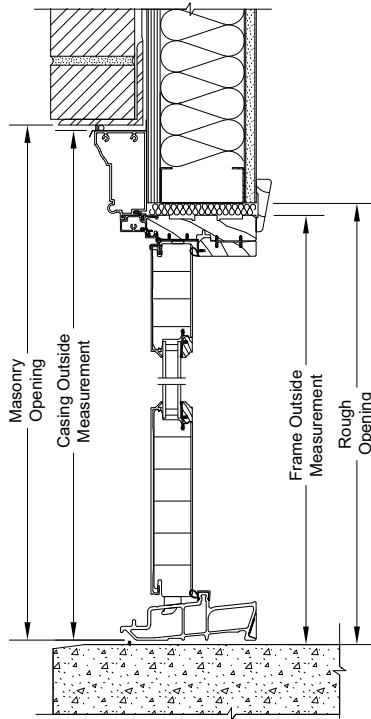
Measurement Conversions for Special Casing Doors			
Casing Type	RO to FOM	FOM to COM	Masonry Opening
<b>A1440</b>	Width -1.0	Width +7.0	*Width COM + (Sealant Gap x 2)
<b>Columbus</b>	Height -1/2	Height +3 1/2	Height COM + (Sealant Gap x 1)
<b>A1442</b>	Width -1.0	Width +4.0	*Width COM + (Sealant Gap x 2)
<b>Grayson</b>	Height -1/2	Height +2.0	Height COM + (Sealant Gap x 1)
<b>A1446</b>	Width -1.0	Width +4 1/8	*Width COM + (Sealant Gap x 2)
<b>Ridgeland</b>	Height -1/2	Height +2 1/16	Height COM + (Sealant Gap x 1)
<b>A1449</b>	Width -1.0	Width +4 5/32	*Width COM + (Sealant Gap x 2)
<b>Stratton</b>	Height -1/2	Height +2 1/16	Height COM + (Sealant Gap x 1)
<b>A1443</b>	Width -1.0	Width +3 13/32	*Width COM + (Sealant Gap x 2)
<b>Thorton</b>	Height -1/2	Height +1 11/16	Height COM + (Sealant Gap x 1)
<b>A1444/A1445</b>	Width -1.0	Width +6.0	*Width COM + (Sealant Gap x 2)
<b>Potter</b>	Height -1/2	Height +5 1/2	Height COM + (Sealant Gap x 1)

RO: Rough Opening  
 FOM: Frame Outside Measurement  
 COM: Casing Outside Measurement

*NOTE: Sealant gap to be determined by others. Minimum of 1/4" on all four sides recommended*

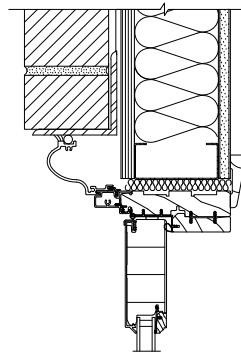
**Clad Special Casing for Doors - Masonry Construction - All Casing Options**

Not to Scale

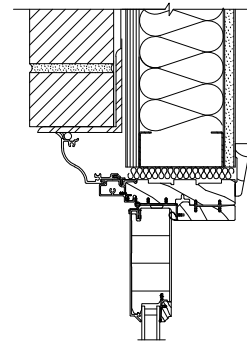


**A1442 Grayson Casing  
Masonry Construction**

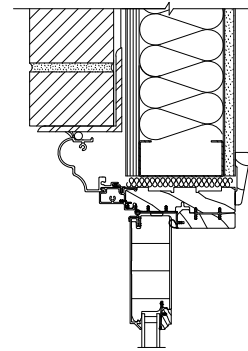
Sealant gap to be determined by others. Minimum of 1/4" on all four sides recommended



A1446 Ridgeland casing



A1443 Thorton casing



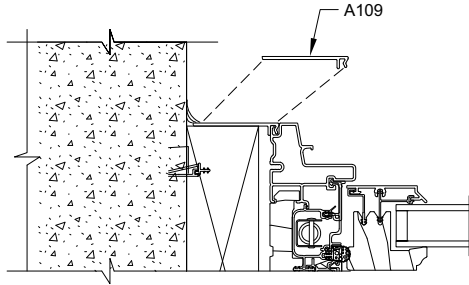
A1449 Stratton casing

**Measurement Conversions for Special Casing Doors**

Casing Type	RO to FOM	FOM to COM	Masonry Opening
<b>A1440</b> Columbus	Width -1.0 Height -1/2	Width +7.0 Height +3 1/2	*Width COM + (Sealant Gap x 2) Height COM + (Sealant Gap x 1)
<b>A1442</b> Grayson	Width -1.0 Height -1/2	Width +4.0 Height +2.0	*Width COM + (Sealant Gap x 2) Height COM + (Sealant Gap x 1)
<b>A1446</b> Ridgeland	Width -1.0 Height -1/2	Width +4 1/8 Height +2 1/16	*Width COM + (Sealant Gap x 2) Height COM + (Sealant Gap x 1)
<b>A1449</b> Stratton	Width -1.0 Height -1/2	Width +4 5/32 Height +2 1/16	*Width COM + (Sealant Gap x 2) Height COM + (Sealant Gap x 1)
<b>A1443</b> Thorton	Width -1.0 Height -1/2	Width +3 13/32 Height +1 11/16	*Width COM + (Sealant Gap x 2) Height COM + (Sealant Gap x 1)
<b>A1444/A1445</b> Potter	Width -1.0 Height -1/2	Width +6.0 Height +5 1/2	*Width COM + (Sealant Gap x 2) Height COM + (Sealant Gap x 1)

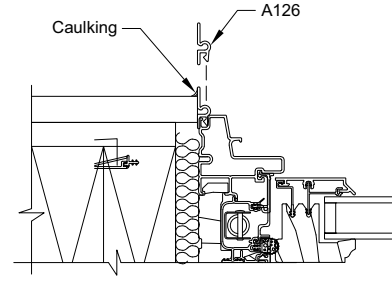
RO: Rough Opening  
FOM: Frame Outside Measurement  
COM: Casing Outside Measurement

**Clad Applications**



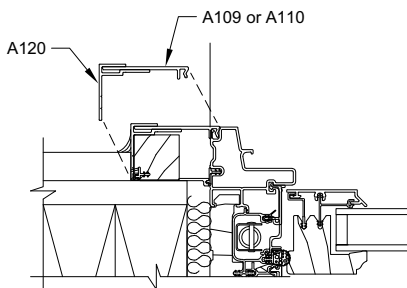
**Frame Expander**

A109 or A110. Used to seal the outer edge by caulking in between the expander and the wall. Frame expander includes intermediate break points to achieve additional widths.



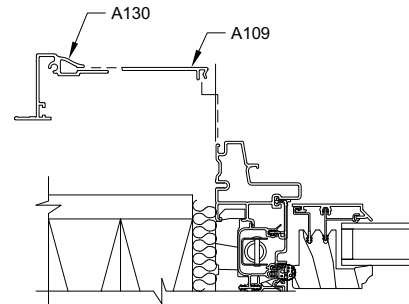
**Exterior Frame Extender**

Used to extend the clad frame past the building siding. Important: Caulking is required to seal between the frame extender and the building exterior.



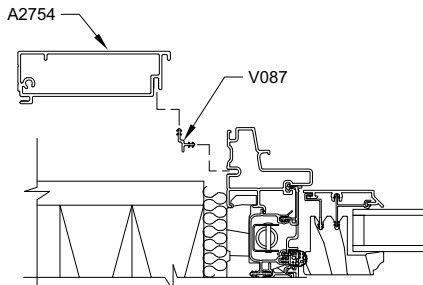
**Frame Expander and 90 Degree Frame Expander**

A109 or A110 with A120. Used to simulate clad flat casing in various widths.



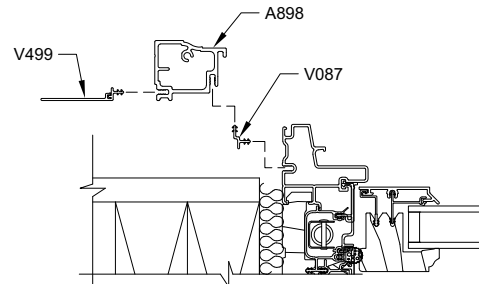
**Clad Adjustable Brick Mould Casing**

Used with A109 or A110 to create an adjustable width Brick Mould Casing for Clad units.



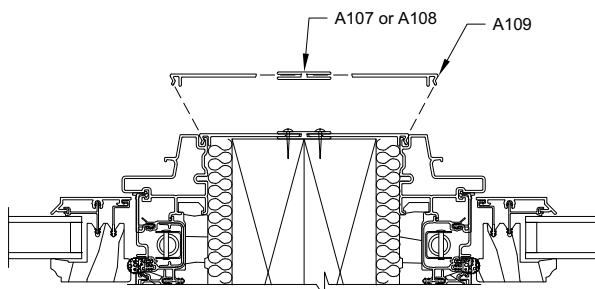
**Clad Flat Casing**

Used to simulate a wood casing for clad units.



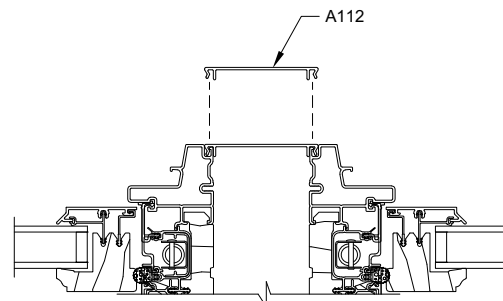
**Clad Brick Mould Casing**

Used to simulate a wood Brick Mould Casing for Clad units.



**Frame Expander with Mullion Expander**

A109 or A110 with A107 or A108. Used to create a solid color matched facade between mullied clad units.



**Mullion Cover**

Used to create a color matched facade between mullied clad units, available in various widths, refer to Clad Extrusions.

*NOTE: All accessories are field applied by others, construction materials supplied by others.*