

Vivid™ Outswing French Door

- Unit Features..... 1
- Divided Lite Options 4
- Hinging Configurations..... 5
- Minimum/Maximum Guidelines and Certified Sizes 6
- STC/OITC Glass Values 7
- Egress Measurements 8
- Conversions 9
- Standard Sizes 10
- Section Details: Hardware Options 11
- Section Details: Standard - 4 9/16" Jamb - Vertical (Operator and Stationary) 12
- Section Details: 1 Panel - 4 9/16" Jamb - Single Panel (X Operator, O Stationary) 13
- Section Details: 2 Panels, 4 9/16" Jamb (XX, OX, XO, OO) 14
- Section Details: 3 Panels, 4 9/16" Jambs - Operating (OXO) 15
- Section Details: Jamb Extension..... 16

Unit Features

Vivid™ Outswing French Door: VNOFD

Configurations:

- One-panel doors: XR, XL, O
- Two-panel doors: XXR, XXL, XOR, XOL, OXR, OXL, OO
- Three-panel doors: OXOR, OXOL
- Rectangles Only

Frame and Panel:

- Frame and panel are Ultrex®, an advanced fiberglass reinforced pultrusion material that is resistant to thermal conductance
- Exterior colors: Stone White, Pebble Grey, Bronze, or Ebony.
- Interior colors: Stone White or Ebony. Ebony available only with Ebony exterior.
- Panel color selection may optionally differ from the color selection of the door frame.

Frame:

- Frame interior is laminate-wrapped pine.
- Frame thickness is 1 11/16" (43). Frame depth of 4 9/16" (116).
- The sill is Ultrex, beige or bronze, with a cellular PVC sill liner.

Panel:

- Astragal
 - Interior astragal is laminate-wrapped pine.
 - Exterior astragal is aluminum.
- Panel thickness is 1 3/4" (44), stiles and top rails 3 5/8" (92), bottom rail width 6" (152) Ultrex is .110" (3) thick.

Sill:

- Sill is Ultrex®.
- Dimensions
 - 4 9/16" sill is 2" tall by 5 31/32".
- May be coated Beige or Bronze, with color matched sill weatherstrip and sill liner (Black with Bronze, or Beige with Beige)

Hardware:

- Multi-point locking system:
 - Keyed
 - Multi-point lock, latch and deadbolt assembly included on each operating door. Handle has standard deadbolt and top and bottom shoot bolts which are operated by the handle set
 - Handle set: interior and exterior selected separately, Northfield handle sets optional
 - Polyester powder coat finish on zinc die-cast
 - Cambridge handle set: available in White, Matte Black
 - Northfield handle set: available in White, Matte Black
 - Optional finishes are applied to a solid brass substrate
 - Cambridge handle set available in Satin Nickel PVD, Oil Rubbed Bronze PVD
 - Northfield handle set available in Satin Nickel PVD, Oil Rubbed Bronze PVD
- Standard locking strike plate will be stainless steel, with an optional brass strike on X, OX-R, XO-L doors. Hinges contain both horizontal and vertical adjustment feature. Three hinges are used on all operating panels. Available in White, Satin Nickel PVD, Oil Rubbed Bronze PVD, and Matte Black

Installation:

- KD available to meet size and shipping limits.
- Factory applied folding nailing fin and drip cap system.
- Through-Jamb installation also available and certified.
- Masonry bracket kits are available for masonry applications.
- Factory mulls are not available. Factory-supplied field mulling kits are available for standard assemblies.
- Muller unit assemblies are WDMA certified to PG25 up to spans of 71 1/4" and tributary heights of 49 3/4" in one-wide, two-high (1W2H) configurations (1 and 2 panel doors only).
- Field Mulling beyond 110" x 112" is not recommended.

Unit Features Continued**Simulated Divided Lites (SDL):**

- 7/8" (22) bar with spacer (interior and exterior)
- Exterior: Ultrex, color matched to panel exterior
- Interior: ABS (Acrylonitrile Butadiene Styrene) color matched to panel interior
- Pattern: equal rectangular, cottage, prairie, oriel, check rail

Grilles-Between-the-Glass (GBG):

- 23/32" (18) contoured aluminum bar
- Exterior: Color matched to unit exterior is standard. Customer selected option is available.
- The exterior GBG color is designed to best match the unit exterior color when used with Low E glass. The use of different types of glazing options may alter the exterior GBG color appearance.
- Interior colors: Stone White or Ebony
- Pattern: equal rectangular, cottage, prairie, oriel, check rail

Weather Strip:

- All units are constructed with two weather strips at all jamb/panel perimeter joints.
 - The primary weather strip is attached to the head/jamb interior wood stops.
 - The secondary weather strip is attached to the panels.
 - Weather strip color is black.
- All weather strips utilize a hollow bulb weather strip.
- Weather strip exposed to the exterior is of UV (ultraviolet) resistant material.
- Sill weather strip is beige or black to match the sill.

Jamb Extension

- Factory applied pine painted to interior finish color.
- Standard jamb depth is 2 1/2" (64).
- Extension available in three widths:
 - For 4 9/16" jamb depth, 37/64" (15) x 2 1/4" (57)
 - For 6 9/16" jamb depth, 37/64" (15) x 4 1/4" (108)
 - For 6 13/16" jamb depth, 37/64" (15) x 4 1/2" (114)
- Default color will match the unit interior selection. Color selection may optionally differ from the interior color selection of the window frame

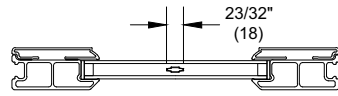
Exterior Casing

- Non-integral to the unit.
- Field applied only
- Fastened to the exterior wall with barb and kerf:
 - 2" (51) brick mould casing available as header and jamb surround. Extends 1 11/16" (43) from frame.
 - 3 1/2" (89) flat casing. Extends 3 3/16" (81) from frame.
- Also available with 2" (50) ranch style sill and header overhang.
- Color selection may optionally differ from the exterior color selection of the door frame

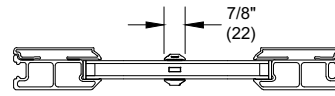
Unit Features Continued**Glass**

- Glazing Seal: Silicone bedding on interior and exterior
- Standard Glass Makeups:
 - 3/4" nominal thickness insulating glass with Low E2, and Argon gas.
- Gas Fill Options: Argon or Air
- Additional Glass Coating Options:
 - Low E1, Low E2/ERS, Low E3, Low E3/ERS, LowE2/ERS, Clear
- Available Glass Types:
 - Laminate, STC/OITC upgrade, Tempered, Decorative, and California Fire glass (annealed exterior and tempered interior glazing configuration).
- Decorative glass options: Obscure, Glue Chip, Rain, Reed, Narrow Reed, Frost, Tinted (bronze, gray, or green).
- Decorative glass options may be limited due to glass makeup and Low E configurations.
- SDL not available on Rain, Reed and Narrow Reed
- SDL available on Obscure and Frost. Available on annealed or tempered glass.
- SDL available on Glue Chip; tempered glass required.
- Insulating glass will be altitude adjusted with capillary tubes for higher elevations
 - Glass air spaces with capillary tubes are considered air filled

Divided Lite Options

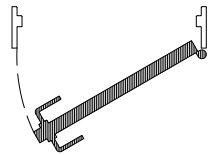
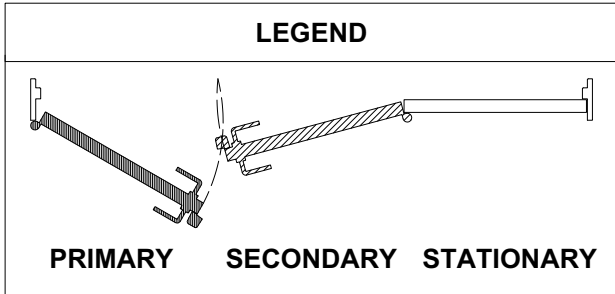


Insulating Glass
23/32" GBG

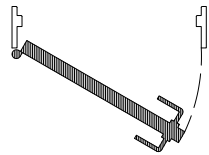


Insulating Glass
7/8" SDL w/ spacer bar

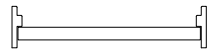
Hinging Configurations



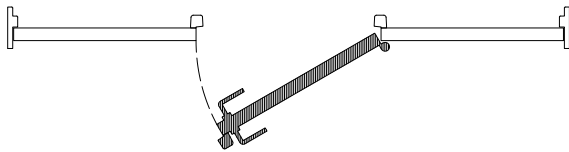
VNOFD - X - L



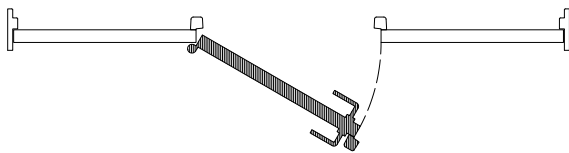
VNOFD - X - R



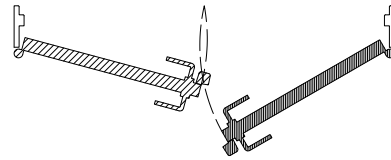
VNOFD - O



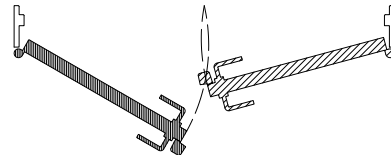
VNOFD - OXO - L



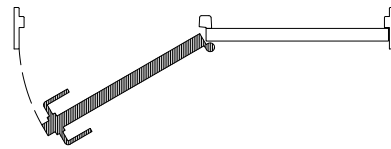
VNOFD - OXO - R



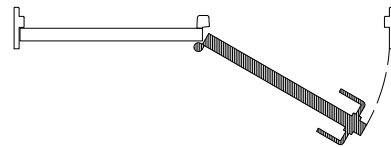
VNOFD - XX - L



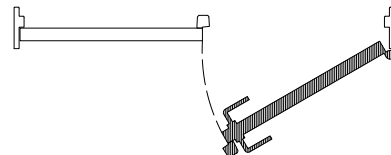
VNOFD - XX - R



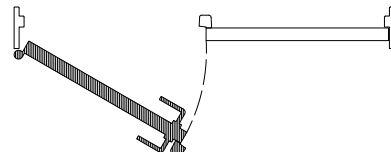
VNOFD - XO - L



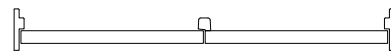
VNOFD - OX - R



VNOFD - OX - L



VNOFD - XO - R



VNOFD - OO

Minimum/Maximum Guidelines and Certified Sizes

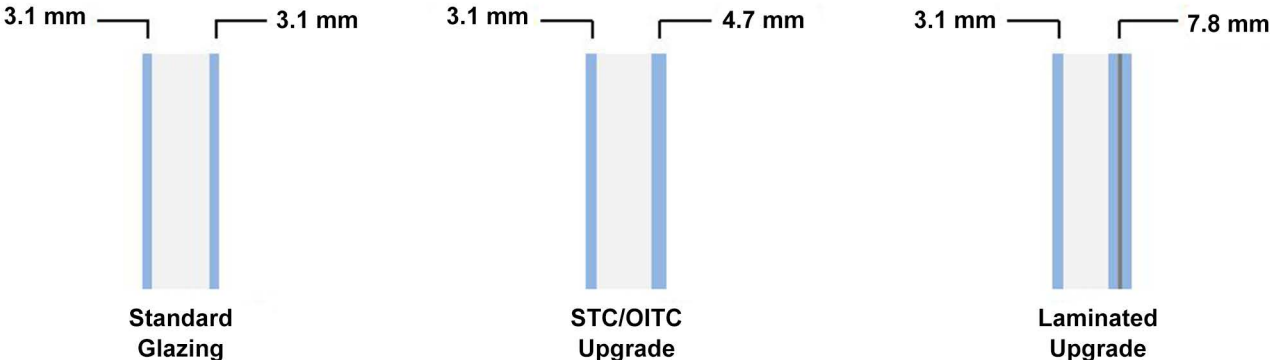
Operator/Stationary Units								
Unit Type	Frame Size							
	Min Width		Min Height		Max Width		Max Height	
	in	mm	in	mm	in	mm	in	mm
1 - Panel O	30 5/16	(770)	79 1/2	(2019)	36 5/16	(922)	95 1/2	(2426)
1 - Panel X	30 5/16	(770)	79 1/2	(2019)	36 47/64	(933)	95 1/2	(2426)
2 - Panel OO, XX, XO/OX	59 1/4	(1505)	79 1/2	(2019)	71 1/4	(1810)	95 1/2	(2426)
3 - Panel OXO	88	(2235)	79 1/2	(2019)	106	(2692)	95 1/2	(2426)

NOTE: Special sizes are available in 1/64" increments, not to exceed the minimum or maximum listed above.

Product	Air Tested to psf	Water Tested to psf	Design Pressure (DP)	Certification Rating	Max Overall Width		Max Overall Height	
					in	mm	in	mm
VIVID Outswing French Door (O)	1.57	6.00	40	LC-PG40-FD	36.319	(923)	95.5	(2426)
VIVID Outswing French Door (X)	1.57	6.00	40	LC-PG40-SHD	36.738	(933)	95.5	(2426)
VIVID Outswing French Door (XX)	1.57	6.00	40	LC-PG40-SHD	71.25	(1810)	95.5	(2426)
VIVID Outswing French Door (OX/XO)	1.57	6.00	40	LC-PG40-SHD	71.25	(1810)	95.5	(2426)
VIVID Outswing French Door (OO)	1.57	4.60	30	LC-PG30-FD	71.25	(1810)	95.5	(2426)
VIVID Outswing French Door (OXO)	1.57	6.00	40	LC-PG40-SHD	106	(2692)	82	(2083)
VIVID Outswing French Door (OXO)	1.57	4.60	30	LC-PG30-SHD	106	(2692)	95.5	(2426)

STC/OITC Glass Values

STC/OITC ratings are shown in the chart below. STC/OITC values are provided by third party ASTM testing and reports. The STC/OITC Upgrade option incorporates variable glass thickness or laminate (L) to increase STC/OITC performance and improve sound abatement..

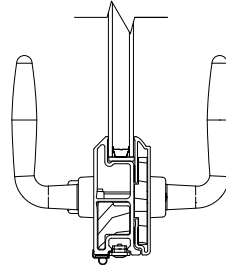
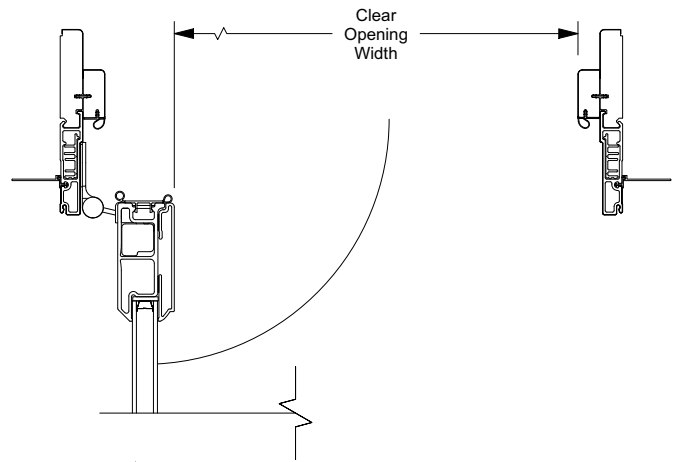
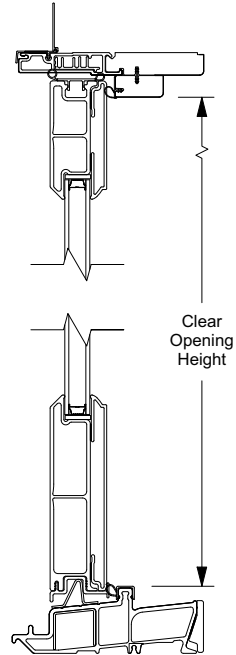


VIVID Outswing French Door STC/OITC Ratings					
Product Type	Exterior Glazing	Airspace	Interior Glazing	STC	OITC
VNOFD	1/8" (3.1)	17/32" (13.0)	1/8" (3.1)	29	25
	1/8" (3.1)	15/32" (11.5)	3/16" (4.7)	30	27
	1/8" (3.1)	3/8" (9.8)	15/64" (6.0) SGP laminate	32	28

Egress Measurements

Net Clear Opening VIVID Outswing French Door			
Width			
Unit Type	Call Number	Net Clear Openings	
		ft-in	mm
1 Panel Operator (X)	2-6	2-1 37/64	(650)
	2-8	2-3 37/64	(701)
	3-0	2-7 37/64	(802)
	32NCO	2-8	(813)
2 Panel Operator (XOR/OXL)	5-0	2-1 25/64	(645)
	5-4	2-3 25/64	(696)
	6-0	2-7 25/64	(797)
2 Panel Operator (XOL/OXR)	5-0	2-1 51/64	(655)
	5-4	2-3 51/64	(706)
	6-0	2-7 51/64	(807)
2 Panel Operator (XX)	5-0	4-2 49/64	(1289)
	5-4	4-6 49/64	(1391)
	6-0	5-2 49/64	(1594)
3 Panel Operator (OXO)	7-6	2-1 15/32	(647)
	8-0	2-3 15/32	(698)
	9-0	2-7 15/32	(799)
Height			
Unit Type	Call Number	Net Clear Openings	
		ft - in	mm
1 Panel 2 Panel 3 Panel Configurations	6-5	6-4 3/32	(1933)
	6-8	6-6 19/32	(1996)
	7-0	6-10 19/32	(2098)
	8-0	7-8 3/32	(2339)

Note: 32NCO must be entered as a special size.



Note: Not to Scale

Conversions

Unit Measurements		Width 1 - Panel		Width 2 - Panel		Width 3 - Panel		Height			
From	To										
Frame		in	mm			in	mm			in	mm
Masonry Opening	Rough Opening	+ 1/2	(13)			+ 1/2	(13)			+ 1/4	(6)
OM of Frame	Rough Opening	+ 1	(25)			+ 1	(25)			+ 1/2	(13)
Daylight Opening	Rough Opening	+ 9 31/32	(253)	×	2	+ 9 31/32	(253)	×	3	+ 12 29/32	(328)
Panel		in	mm			in	mm			in	mm
OM of Frame	OM of Panel	-1 23/32	(44)	÷	2	-1 23/32	(44)	÷	3	-2 25/32	(71)
Daylight Opening	OM of Panel	+ 7 1/4	(184)			+ 7 1/4	(184)			+ 9 5/8	(244)
Glass		in	mm			in	mm			in	mm
OM of Frame	Glass	-7 23/32	-(196)	÷	2	-7 23/32	-(196)	÷	3	-11 5/32	(30)
Daylight Opening	Glass	+ 1 1/4	(32)			+ 1 1/4	(32)			+ 1 1/4	(32)

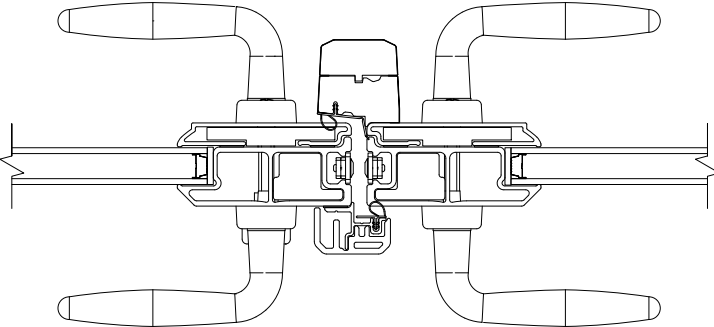
Standard Sizes

VIVID Outswing Unit Measurements													
Width													
Unit Type	CN	Masonry Opening		Rough Opening		Frame Size		Panel OM		Daylight Opening		Glass Size	
		ft - in	mm	ft - in	mm	ft - in	mm	ft-in	mm	ft - in	mm	in	mm
1 Panel	2-6	2-6 13/16	(783)	2-7 5/16	(796)	2-6 5/16	(770)	2-4 19/32	(726)	1-9 11/32	(542)	22 19/32	(574)
	2-8	2-8 13/16	(834)	2-9 5/16	(846)	2-8 5/16	(821)	2-6 19/32	(777)	1-11 11/32	(593)	24 19/32	(625)
	3-0	3-0 13/16	(935)	3-1 5/16	(948)	3-0 5/16	(923)	2-10 19/32	(879)	2-3 11/32	(695)	28 19/32	(726)
	32NCO	3-1 15/64	(946)	3-1 47/64	(959)	3-0 47/64	(933)	2-11 1/64	(889)	2-3 49/64	(705)	29 1/64	(737)
2 Panel	5-0	4-11 3/4	(1518)	5-0 1/4	(1530)	4-11 1/4	(1505)	2-4 19/32	(726)	1-9 11/32	(542)	22 19/32	(574)
	5-4	5-3 3/4	(1619)	5-4 1/4	(1632)	5-3 1/4	(1607)	2-6 19/32	(777)	1-11 11/32	(593)	24 19/32	(625)
	6-0	5-11 3/4	(1822)	6-0 1/4	(1835)	5-11 1/4	(1810)	2-10 19/32	(879)	2-3 11/32	(695)	28 19/32	(726)
3 Panel	7-6	7-4 1/2	(2248)	7-5	(2261)	7-4	(2235)	2-4 19/32	(726)	1-9 11/32	(542)	22 19/32	(574)
	8-0	7-10 1/2	(2400)	7-11	(2413)	7-10	(2388)	2-6 19/32	(777)	1-11 11/32	(593)	24 19/32	(625)
	9-0	8-10 1/2	(2705)	8-11	(2718)	8-10	(2692)	2-10 19/32	(879)	2-3 11/32	(695)	28 19/32	(726)
Height													
Unit Type	CN	Masonry Opening		Rough Opening		Frame Size		Panel OM		Daylight Opening		Glass Size	
		ft - in	mm	ft - in	mm	ft - in	mm	ft-in	mm	ft - in	mm	in	mm
All Configurations	65	6-7 3/4	(2026)	6-8	(2032)	6-7 1/2	(2019)	6-4 23/32	(1949)	5-7 3/32	(1704)	68 9/32	(1734)
	68	6-10 1/4	(2089)	6-10 1/2	(2096)	6-10	(2083)	6-7 7/32	(2012)	5-9 19/32	(1768)	70 25/32	(1798)
	70	7-2 1/4	(2191)	7-2 1/2	(2197)	7-2	(2184)	6-11 7/32	(2114)	6-1 19/32	(1869)	74 25/32	(1900)
	80	7-11 3/4	(2432)	8-0	(2438)	7-11 1/2	(2426)	7-8 23/32	(2355)	6-11 3/32	(2111)	84 9/32	(2141)

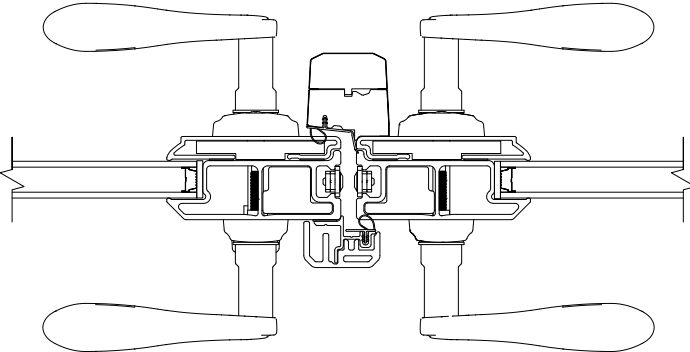
NOTE: 32NCO must be entered as a special size.

Section Details: Hardware Options

Scale: 3" = 1' 0"



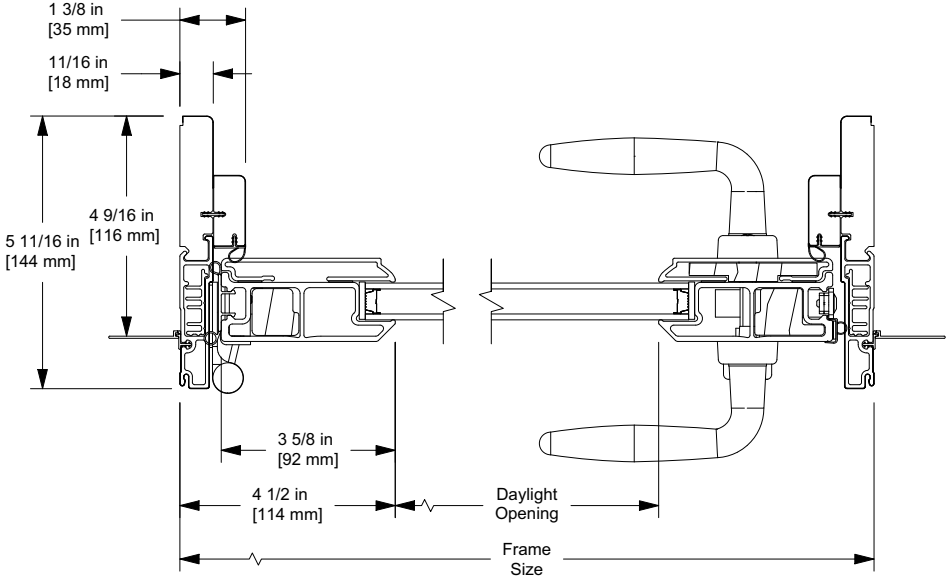
Northfield Handles



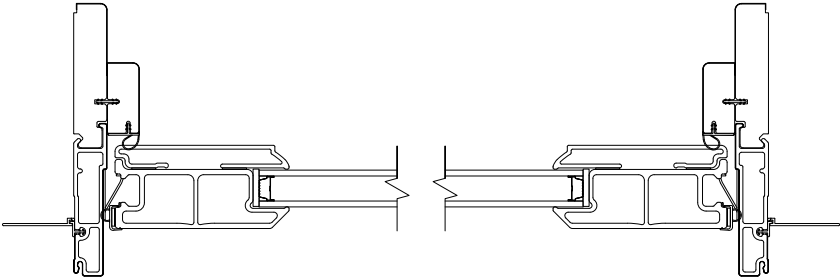
Cambridge Handles

Section Details: 1 Panel - 4 9/16" Jamb - Single Panel (X Operator, O Stationary)

Scale: 3" = 1' 0"



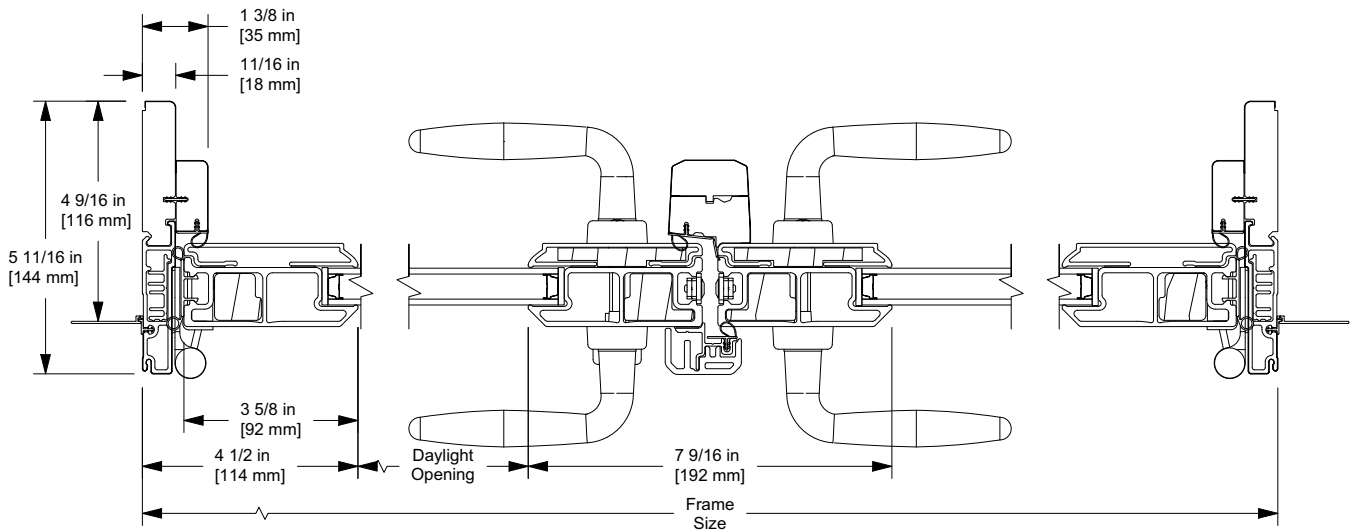
X RH 4 9/16 inch Jamb



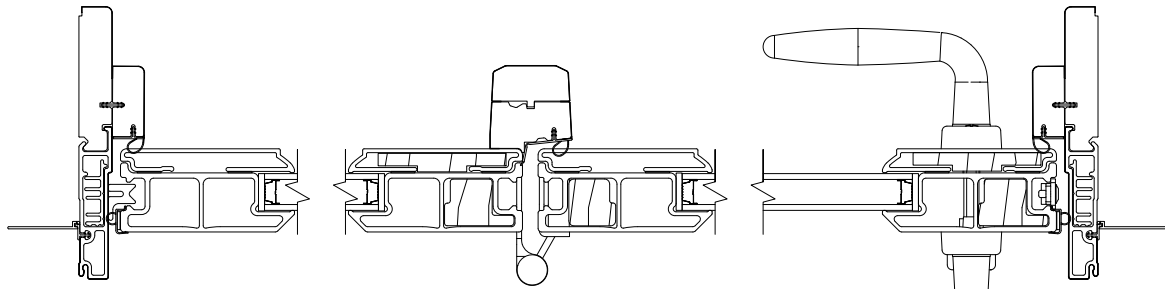
O 4 9/16 inch Jamb

Section Details: 2 Panels, 4 9/16" Jamb (XX, OX, XO, OO)

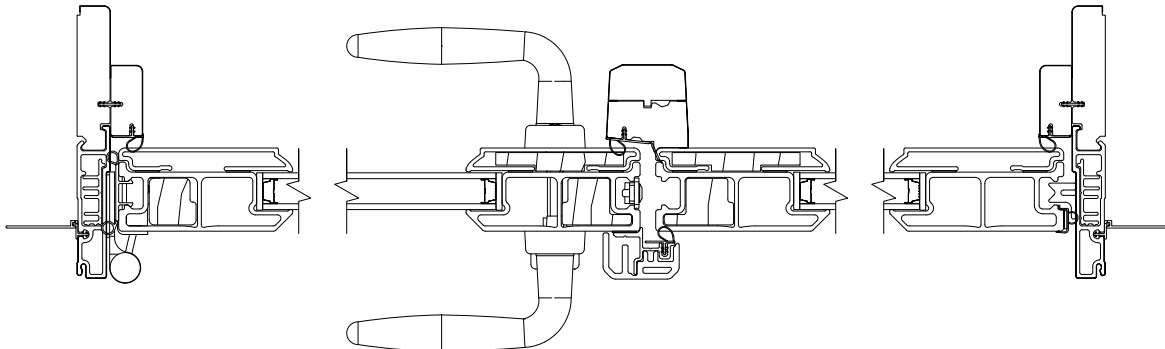
Scale: 3" = 1' 0"



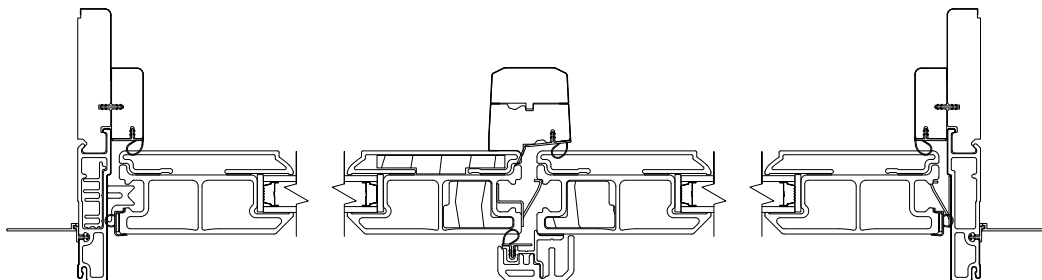
XX RH 4 9/16 inch Jamb



OX RH 4 9/16 inch Jamb



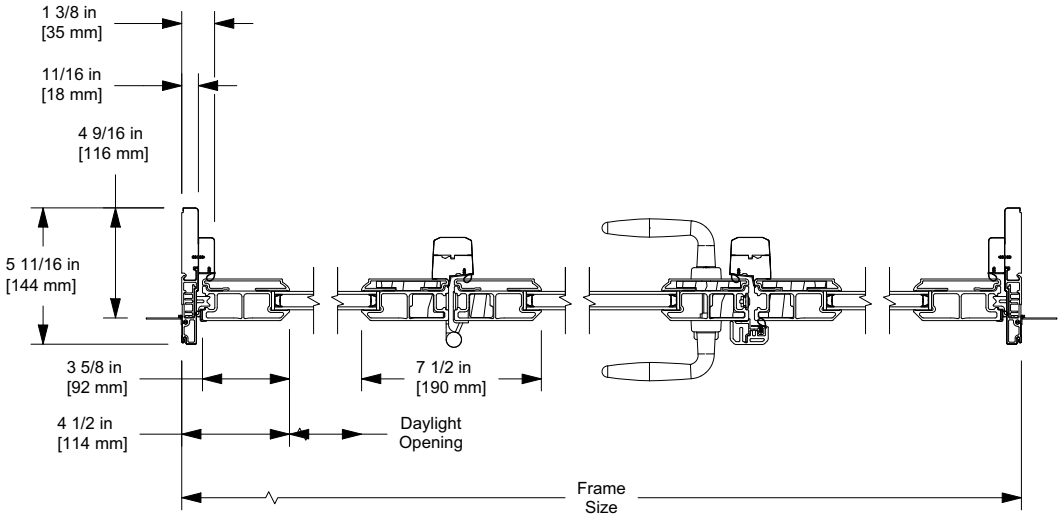
XO RH 4 9/16 inch Jamb



OO 4 9/16 inch Jamb

Section Details: 3 Panels, 4 9/16" Jambs - Operating (OXO)

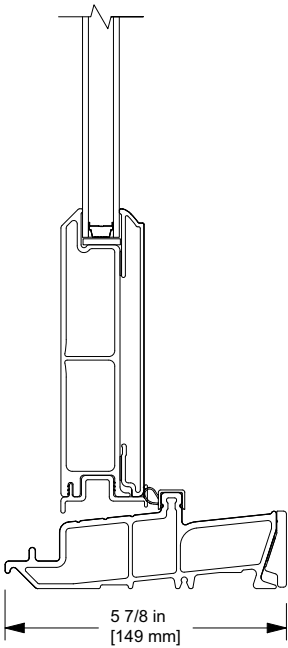
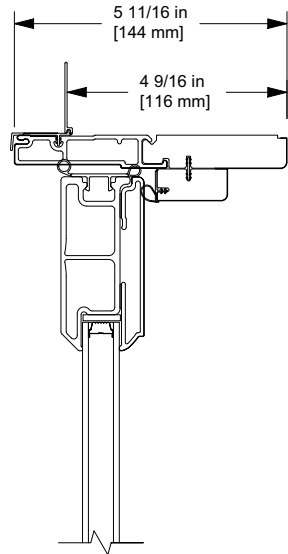
Scale: 1 1/2" = 1.0".



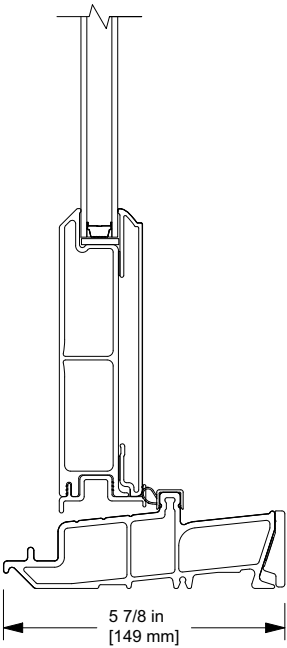
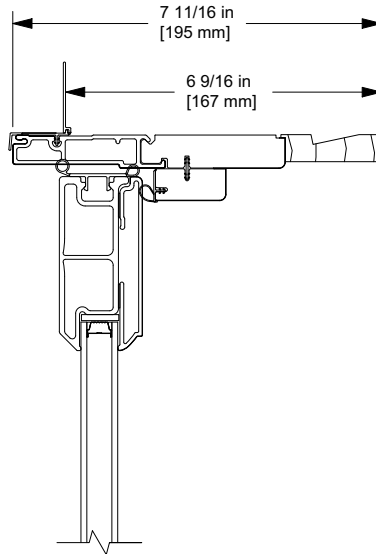
OXO RH 4 9/16 inch Jambs

Section Details: Jamb Extension

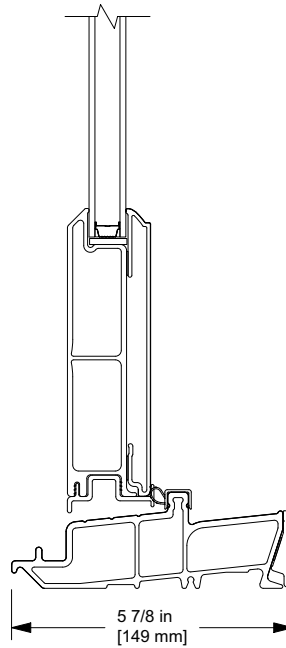
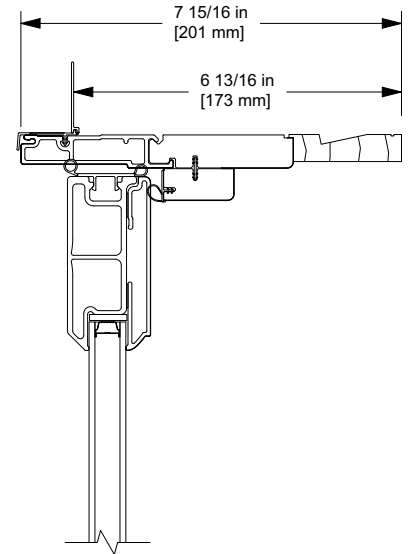
Scale: 1 1/2" = 1.0".



Standard 4 9/16 inch Jamb



6 9/16 inch Jamb



6 13/16 inch Jamb