

Elevate Sliding Patio Door

Unit Features.....	1
Egress, Lite, and Vent Measurements	5
Clear Opening Measurements	6
Measurement Conversions	7
Standard Sizes.....	8
Mulling Guidelines	9
Certified 1/2" MRF Mulling Guidelines	11
Section Details: Standard - 4 9/16" Jambs (2 panels).....	12
Section Details: Standard - 4 9/16" Jambs (3 panels).....	13
Section Details: Standard - 4 9/16" Jambs (4 panels).....	14
Section Details: Standard - 6 9/16" Jambs (2 panels).....	15
Section Details: Standard - 6 9/16" Jambs (3 panels).....	16
Section Details: Standard - 6 9/16" Jambs (4 panels).....	17
Section Details: Direct Glaze Rectangle - 4 9/16" Jambs	18
Section Details: Direct Glaze Rectangle - 6 9/16" Jambs	19
Section Details: Mullions	20
Section Details: Divided Lite Options	21
Section Details: Divided Lite Patterns	22
Installation Suggestions: Brick Veneer with Steel Frame Construction.....	23
Installation Suggestions: Wood Siding with 2x6 Frame Construction	24
Installation Suggestions: Stucco with 2x4 Frame Construction.....	25

Unit Features

Elevate Sliding Patio Door: ELSPD

For applicable certification and code information, refer to the Introduction and Product Performance chapter.

Frame and Panel:

- The frame and panel exteriors are made of Ultrex®, an advanced fiberglass reinforced pultrusion material that is resistant to thermal conductance.
- Exterior colors: Stone White, Pebble Gray, Bronze, Cashmere, Gunmetal, or Ebony. Frame and sash color may be selected independently.
- The interior is non finger-jointed pine, kiln-dried to a moisture content 6-12% at time of fabrication. Water repellent, preservative treated. Interior wood is available as pine bare wood or factory applied white, clear, or designer black interior finishes. Frame and sash color may be selected independently.

Frame:

- Frame thickness is 1 31/64" (38). Frame width of 4 9/16" (116). 4/4 non finger-jointed pine interior stop is applied to all units. Sill is Ultrex with cellular PVC interior sill liner. Ultrex is .080" (2) thick.

Panel:

- Composite sash thickness is 1 3/4" (44), stiles and rails 2 5/16" (58). Ultrex is 0.080" (2) thick.

Jamb Extension:

- Extension Thickness: 9/16" (14)
- Multiple depths available from 1/8" (3), 1/4"(6), and depths varying between 1/2"(13) and 4"(102) at 1/16" (2) increments
- Maximum jamb depth is 8 9/16". (217)
- 6 13/16" (173) or 6 13/16" (173) jamb extension - factory-applied
- All other jamb depth options are available shipped loose.
- Material: Bare Pine
- Option: factory applied white, designer black and clear lacquer interior finish

Hardware:

- Multi-point lock with keyed cylinder.
 - The lock assembly and keeper feature a two point opposing engagement providing tamper prevention.
 - An anti-slam pin is standard to prevent locking when the door is open.
- Handle Sets
 - Handle Set: Interior and exterior selected separately.
 - Standard finish is Almond Frost. Optional finishes: White, Brass, Satin Nickel, Oil Rubbed Bronze, and Matte Black.
- Provides an interior thumb lever to engage the locking and unlocking of the operating panel.
- Keyed and keyed alike options are available.

Installation:

- Factory applied folding nailing fin and drip cap system.
- Optional installation brackets for masonry available.
- Factory-supplied field mulling kits are available for standard assemblies.

Weather Strip:

- All units have full perimeter frame weather strip.
- The operating panel is sealed to the frame using a flexible leaf weather strip.
- The stationary panel is sealed to the header using a flexible leaf weather strip.
- The meeting stiles are sealed using an interlock with a bulb-type weather strip and a fin.
- Astragal has a bulb-type weather strip
 - Operator jamb, header, interlock and astragal cap/weather strip (OXO) color to complement exterior finish
 - Stationary jamb weather strip and astragal weather strip (OXXO) color is selectable but defaults to complement interior finish
 - Options: Beige, black and white
- The sill weather strip will match the sill color. When a Bronze sill is ordered, the sill weather strip will be black and when a Beige sill is ordered, the sill weather strip will be beige.

Unit Features Continued**Glazing:**

- Dual-pane units are manufactured with 3/4" (19) Tempered IG with Low E1, E2, E3, or E3/ERS coatings including argon gas or air fill. Clear (uncoated) glass available with air fill only. Obscure glass is available as an option.
- The glazing seal is a silicone bedding on both interior and exterior surfaces utilized in a sandwich style sash.
- STC/OITC values are available for 3.1 mm glass thickness.
 - Optional 3.1/4.7 STC/OITC Upgrade glass is available. See the Product Performance chapter for STC and OITC values.
- Decorative glass options include glue chip, frost, and tinted (bronze, gray or green). Decorative glass is not available with Low E1 Low E3/ERS or STC/OITC Upgrade options.

Screen:

- Top hung extruded aluminum screens available as an option. Aluminum metal to match exterior Ultrex color.
- Screen mesh: Marvin BrightView™, Options: None.
- Includes all mounting and latching hardware.

Interior/Exterior Simulated Divided Lites (SDL):

- Interior bar: 7/8" (22) wide bars. Pine bare wood with optional white, clear, or designer black interior finishes.
- Exterior bar: Ultrex, 7/8" (22) wide bars, finish to match exterior.
 - Pattern: Standard rectangular pattern, 6 or 9 lite Prairie cut, 6-lite Prairie cut on rectangle or Cottage style cut.
- Simulated check rail option: 2 11/32" (60).
 - Patterns available: simulated rail in standard center or customer specified location with 7/8" pattern above, below, or both in pattern of rectangular equal lite or Prairie lite cut.

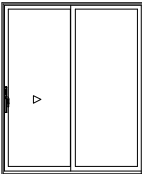
Grilles-Between-The-Glass (GBG):

- 23/32" (18) contoured aluminum bar placed between two panes of glass.
- Pattern: Standard rectangular pattern, 6 or 9 lite Prairie cut, or Cottage style cut, or 6-lite Prairie cut on rectangle.
- Exterior color options: Stone White, Pebble Gray, Bronze, Cashmere, Gunmetal, or Ebony.
- Interior color options: White, Bronze, or Black. Not available with tinted glass.

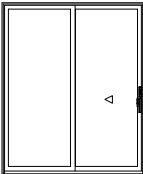
Exterior Casing:

- Non-integral to the unit.
- Fastened to the exterior wall with barb and kerf: 2" (51) brick mould available as a header and jamb surround.
- 3 1/2" (89) flat casing available as a header and jamb surround.
- Also available with 1" (25) ranch style header overhang.

NOTE: NFRC Values are now located on www.marvin.com

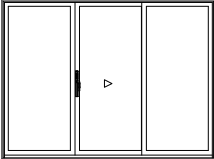


XO

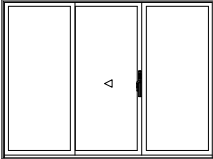


OX

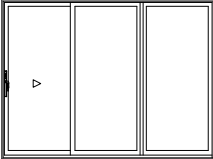
NOTE: Special sizes are available in 1/64" increments, not to exceed the minimum or maximum listed above.



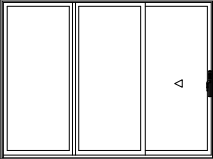
OXO Right



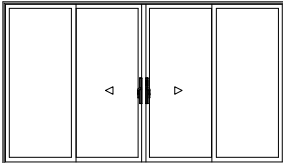
OXO Left



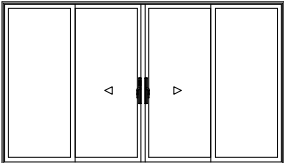
XOO



OOX



OXXO Right



OXXO Left

Minimum/Maximum Guidelines and Certified Sizes

Minimum and Maximum Frame Size Guidelines								
Unit Type	Min Width		Min Height		Max Width		Max Height	
	in	mm	in	mm	in	mm	in	mm
2-Panel	59	(1499)	79 1/2	(2019)	95	(2413)	95 1/2	(2426)
3-Panel	88 1/2	(2248)	79 1/2	(2019)	142 1/2	(3620)	95 1/2	(2426)
4-Panel	117	(2972)	79 1/2	(2019)	189	(4801)	95 1/2	(2426)
Door Transom	59	(1499)	15 3/4	(400)	106 1/2	(2705)	15 3/4	(400)

Product	Air Tested to psf	Water Tested to psf	Design Pressure (DP)	Certification Rating	Max Overall Width	Max Overall Height
Sliding Patio Door (ELSPD 6070 XO/OX)	1.57	6.00	40	LC-PG40-SD	71	86
Sliding Patio Door (ELSPD 8080 XO/OX)	1.57	4.50	30	LC-PG30-SD	95	95.5
Sliding Patio Door (ELSPD 9070 OOX/XOO)	1.57	4.50	30	LC-PG30-SD	106.5	86
Sliding Patio Door (ELSPD 9080 OOX/XOO)	1.57	4.50	30	LC-PG30-SD	106.5	95.5
Sliding Patio Door (ELSPD 12070 OOX/XOO)	1.57	3.75	25	LC-PG25-SD	142.5	86
Sliding Patio Door (ELSPD 12080 OOX/XOO)	1.57	3.75	25	LC-PG25-SD	142.5	95.5
Sliding Patio Door (ELSPD 9070 OXO)	1.57	4.50	30	LC-PG30-SD	106.5	86
Sliding Patio Door (ELSPD 9080 OXO)	1.57	4.50	30	LC-PG30-SD	106.5	95.5
Sliding Patio Door (ELSPD 12070 OXO)	1.57	3.75	25	LC-PG25-SD	142.5	86
Sliding Patio Door (ELSPD 12080 OXO)	1.57	3.75	25	LC-PG25-SD	142.5	95.5
Sliding Patio Door (ELSPD 16070 OXXO)	1.57	3.75	25	LC-PG25-SD	189	86
Sliding Patio Door (ELSPD 16080 OXXO)	1.57	3.75	25	LC-PG25-SD	189	95.5

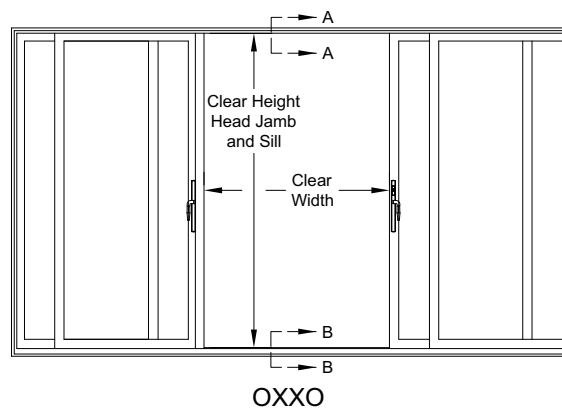
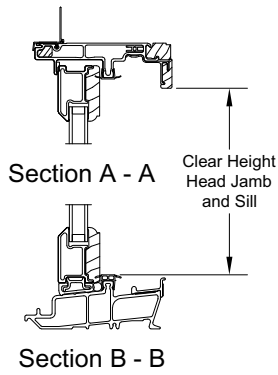
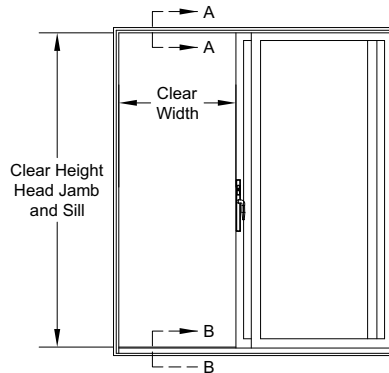
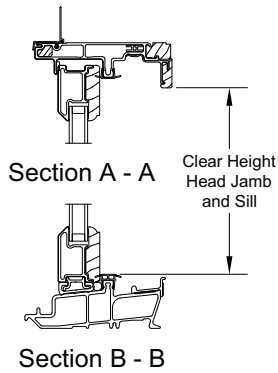
Egress, Lite, and Vent Measurements

Net Clear Opening Elevate Sliding Patio Door			
Width			
Unit Type	Call Number	Net Clear Openings	
		ft-in	mm
2 Panel Operator (OX / XO)	5-0	1-10 11/16	(576)
	6-0	2-4 11/16	(729)
	8-0	3-4 11/16	(1034)
3 Panel Operator (OOX, XOO)	7-6	1-11 17/64	(591)
	9-0	2-5 17/64	(743)
	12-0	3-5 17/64	(1048)
3 Panel Operator (OXO)	7-6	1-10 23/32	(577)
	9-0	2-4 23/32	(730)
	12-0	3-4 23/32	(1034)
4 Panel Operator (OXXO)	10-0	3-9 49/64	(1162)
	12-0	4-9 49/64	(1467)
	16-0	6-9 49/64	(2077)
Height			
Unit Type	Call Number	Net Clear Openings	
		ft - in	mm
All Height Configurations	6-5	6-2 47/64	(1898)
	6-8	6-5 15/64	(1962)
	7-0	6-9 15/64	(2063)
	8-0	7-6 47/64	(2305)

Egress Conversions		
Elevate Sliding Patio Door		
Minimum Value for Net Clear Opening	Desired Dimension	Formula
32"	Egress opening width, in*	2 Panel Door
		= ELSPD frame OM width - Panel Width - 6.681
		3 Panel Door - OOX, XOO
		= ELSPD frame OM width - (Panel Width x 2) - 5.991
		3 Panel Door - OXO
		= ELSPD frame OM width - (Panel Width x 2) - 6.524
78" (IRC 2012) 80" (IBC 2012)	Egress opening height, in	= ELSPD frame OM height - 4.768
		NA
	Egress opening area, ft2	= ((Egress opening width, in) x (Egress opening height, in)) / 144

Clear Opening Measurements

EGRESS MEASUREMENTS



Measurement Conversions

Operating Panels

Unit Measurements		Width 2-Panel		Width 3-Panel		Width 4-Panel		Height		
From	To									
Frame		in	mm	in	mm	in	mm	in	mm	
Masonry Opening	Rough Opening	+ 1/2	(13)	+ 1/2	(13)		+ 1/2	(13)	+ 1/4	(06)
Masonry Opening w/BMC	Rough Opening	+ 1/2	(13)	+ 1/2	(13)		+ 1/2	(13)	+ 1/4	(06)
OM of Frame	Rough Opening	+ 1	(25)	+ 1	(25)		+ 1	(25)	+ 1/2	(13)
Daylight Opening	Rough Opening	x 2 + 10	(254)	x 3 + 14 1/2	(368)	x 4	+ 18	(457)	+ 7 31/32	(202)
Panel		in	mm	in	mm	in	mm	in	mm	
OM of Frame	OM of Panel	+ 2 + 1/8	(03)	+ 3 + 1/8	(03)	+ 4	+ 3/8	(10)	-2 27/32	(72)
Daylight Opening	OM of Panel	+ 4 5/8	(118)	+ 4 5/8	(118)		+ 4 5/8	(118)	+ 4 5/8	(117)
Glass		in	mm	in	mm	in	mm	in	mm	
OM of Frame	Glass	+ 2 -3 1/4	-(83)	+ 3 -3 1/4	-(83)	+ 4	-3	-(76)	-6 17/64	-(159)
Daylight Opening	Glass	+ 1 1/4	(32)	+ 1 1/4	(32)		+ 1 1/4	(32)	+ 1 3/16	(30)

Direct Glaze Rectangle

Unit Measurements - Direct Glaze Rectangle		Width		Height	
From	To				
Frame		in	mm	in	mm
Masonry Opening	Rough Opening	+ 1/2	(13)	+ 1/4	(06)
Masonry Opening w/BMC	Rough Opening	+ 1/2	(13)	+ 1/4	(06)
OM of Frame	Rough Opening	+ 1	(25)	+ 1/2	(13)
Daylight Opening	Rough Opening	+ 5 3/8	(137)	+ 4 7/8	(124)
Frame		in	mm	in	mm
Daylight Opening	Frame	+ 4 3/8	(111)	+ 4 3/8	(111)
Glass		in	mm	in	mm
OM of Frame	Glass	-2 13/16	-(71)	-2 13/16	-(71)
Daylight Opening	Glass	+ 1 9/16	(40)	+ 1 9/16	(40)

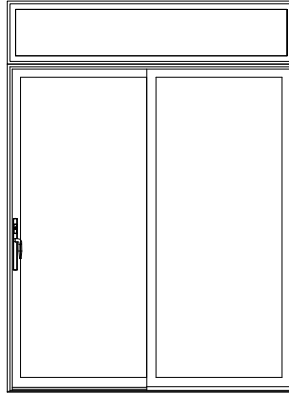
Standard Sizes

Standard Sliding Patio Unit Measurements															
Width															
Unit Type	CN	Masonry Opening		Rough Opening		Frame Size		Panel OM		Screen OM		Daylight Opening		Glass Size	
		ft - in	mm	ft - in	mm	ft - in	mm	ft-in	mm	ft-in	mm	in	mm	ft-in	mm
2 Panel	5-0	4-11 1/2	(1511)	5-0	(1524)	4-11	(1499)	2-5 5/8	(752)	2-5 3/16	(741)	25	(635)	2-2 1/4	(667)
	6-0	5-11 1/2	(1816)	6-0	(1829)	5-11	(1803)	2-11 5/8	(905)	2-11 3/16	(894)	31	(787)	2-8 1/4	(819)
	8-0	7-11 1/2	(2426)	8-0	(2438)	7-11	(2413)	3-11 5/8	(1210)	3-11 3/16	(1199)	43	(1092)	3-8 1/4	(1124)
3 Panel	7-6	7-5	(2261)	7-5 1/2	(2273)	7-4 1/2	(2248)	2-5 5/8	(752)	2-5 3/16	(741)	25	(635)	2-2 1/4	(667)
	9-0	8-11	(2718)	8-11 1/2	(2731)	8-10 1/2	(2705)	2-11 5/8	(905)	2-11 3/16	(894)	31	(787)	2-8 1/4	(819)
	12-0	11-11	(3632)	11-11 1/2	(3645)	11-10 1/2	(3620)	3-11 5/8	(1210)	3-11 3/16	(1199)	43	(1092)	3-8 1/4	(1124)
4 Panel	10-0	9-9 1/2	(2985)	9-10	(2997)	9-9	(2972)	2-5 5/8	(752)	2-5 3/16	(741)	25	(635)	2-2 1/4	(667)
	12-0	11-9 1/2	(3594)	11-10	(3607)	11-9	(3581)	2-11 5/8	(905)	2-11 3/16	(894)	31	(787)	2-8 1/4	(819)
	16-0	15-9 1/2	(4813)	15-10	(4826)	15-9	(4801)	3-11 5/8	(1210)	3-11 3/16	(1199)	43	(1092)	3-8 1/4	(1124)
Height															
Unit Type	CN	Masonry Opening		Rough Opening		Frame Size		Panel OM		Screen OM		Daylight Opening		Glass Size	
		ft - in	mm	ft - in	mm	ft - in	mm	ft-in	mm	ft-in	mm	in	mm	ft-in	mm
All Configurations	6-5	6-7 3/4	(2026)	6-8	(2032)	6-7 1/2	(2019)	6-4 21/32	(1947)	6-5 3/64	(1957)	72 1/32	(1830)	6-1 15/64	(1860)
	6-8	6-10 1/4	(2089)	6-10 1/2	(2096)	6-10	(2083)	6-7 5/32	(2011)	6-7 35/64	(2020)	74 17/32	(1893)	6-3 47/64	(1923)
	7-0	7-2 1/4	(2191)	7-2 1/2	(2197)	7-2	(2184)	6-11 5/32	(2112)	6-11 35/64	(2122)	78 17/32	(1995)	6-7 47/64	(2025)
	8-0	7-11 3/4	(2432)	8-0	(2438)	7-11 1/2	(2426)	7-8 21/32	(2354)	7-9 3/64	(2363)	88 1/32	(2236)	7-5 15/64	(2266)

Standard Direct Glaze Door Transom Unit Measurements											
Width											
Unit Type	CN	Masonry Opening		Rough Opening		Frame Size		Daylight Opening		Glass Size	
		ft - in	mm	ft - in	mm	ft - in	mm	ft - in	mm	ft-in	mm
Direct Glaze	7-2	5-11 1/2	(1816)	6-0	(1829)	5-11	(1803)	5-6 5/8	(1692)	5-8 3/16	(1732)
	10-7	8-11	(2718)	8-11 1/2	(2731)	8-10 1/2	(2705)	8-6 1/8	(2594)	8-7 11/16	(2634)
Height											
Unit Type	CN	Masonry Opening		Rough Opening		Frame Size		Daylight Opening		Glass Size	
		ft - in	mm	ft - in	mm	ft - in	mm	ft - in	mm	ft - in	mm
All Configurations	1-6	1-4	(406)	1-4 1/4	(413)	1-3 3/4	(400)	0-11 3/8	(289)	1-0 15/16	(329)

Mulling Guidelines**Factory Door Assemblies**

- Assemblies up to 1 unit wide by 2 units high
 - MAXIMUM ROUGH OPENING not to exceed 72" (1829) x 100 1/2" (2553)

**ROUGH OPENING TABLE FOR ASSEMBLIES**

HEIGHT: Single unit Rough Opening height MINUS 1/2" = Frame Height

ADD all frame heights PLUS 1/2" = Total Rough Opening height.

NOTE: Field mulling beyond 110" (2794) x 112" (2845) is not recommended

Assemblies with 6 9/16" (167) or 6 13/16" (173) jambs add 1/4" to width and 1/8" to height to Rough Opening.

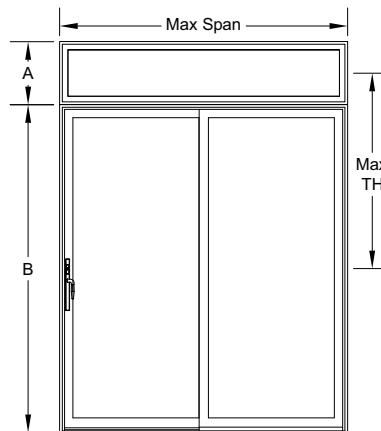
Certified Mulling Guidelines**Certified Mull Limits: WDMA Hallmark certified to AAMA 450**

The Elevate Sliding Patio Door may be mull to Direct Glaze Polygon.

- If assemblies have individual units that have a lower design pressure than the mull, the entire assembly is rated at the lower design pressure.
- Mull Certification includes 4" mull clips (nail fin installation) or mull brackets (structural installation) at all mull joints.
- Items not included in certified mulls: Stepped mulls, Palladians, Polygon Shapes, Through Jamb, Narrow Frame and Insert Products

- One-directional mull limits (all factory mulls)
 - Maximum Mull Assembly RO Size
 - Max Span: 71" (1803), Maximum TW or TH: 50" (1270)
 - Maximum RO: 72" x 100 1/2" (1829 x 2553)
 - DP: 50

- Tributary Height = $(A+B)/2$



Frame to Frame Mulling

Certified 1/2" MRF Mulling Guidelines

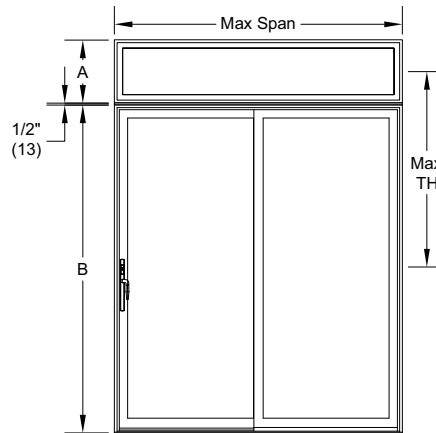
Certified Mull Limits: WDMA Hallmark certified to AAMA 450.

The Elevate Sliding Patio Door may be mull to Direct Glaze Polygon.

- If assemblies have individual units that have a lower design pressure than the mull, the entire assembly is rated at the lower design pressure.
- Mull certification includes 4" mull clips (nail fin installation) or mull brackets (structural brackets installation) at all mull joints.
- Items not included in certified mulls: Stepped mulls, Palladians, Polygon Shapes, Through Jamb, Narrow Frame and Insert Products.

- One-directional mull limits (all factory mulls)
 - Maximum Mull Assembly (1 wide x 2 high)
 - Max Span: 71" (1803), Maximum TW or TH: 50" (1270)
 - Maximum RO: 72" x 100 1/2" (1829 x 2553)
 - DP: 50

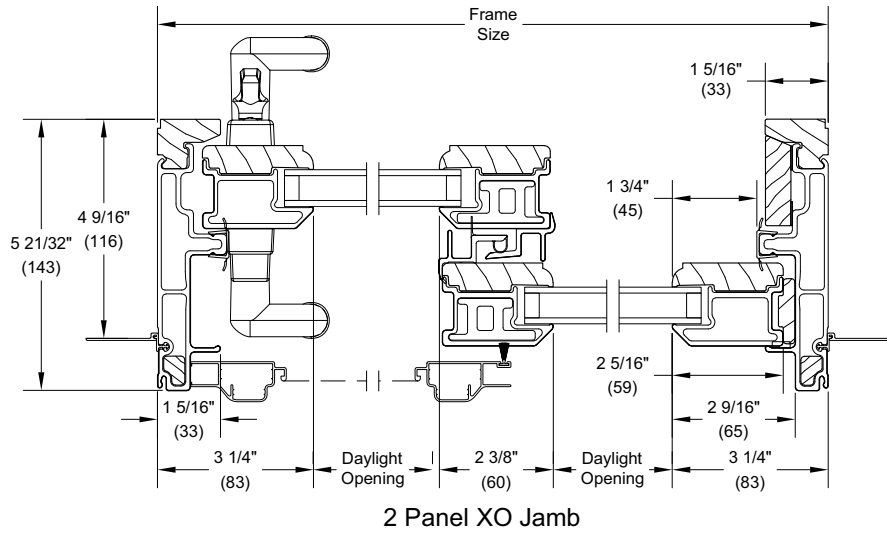
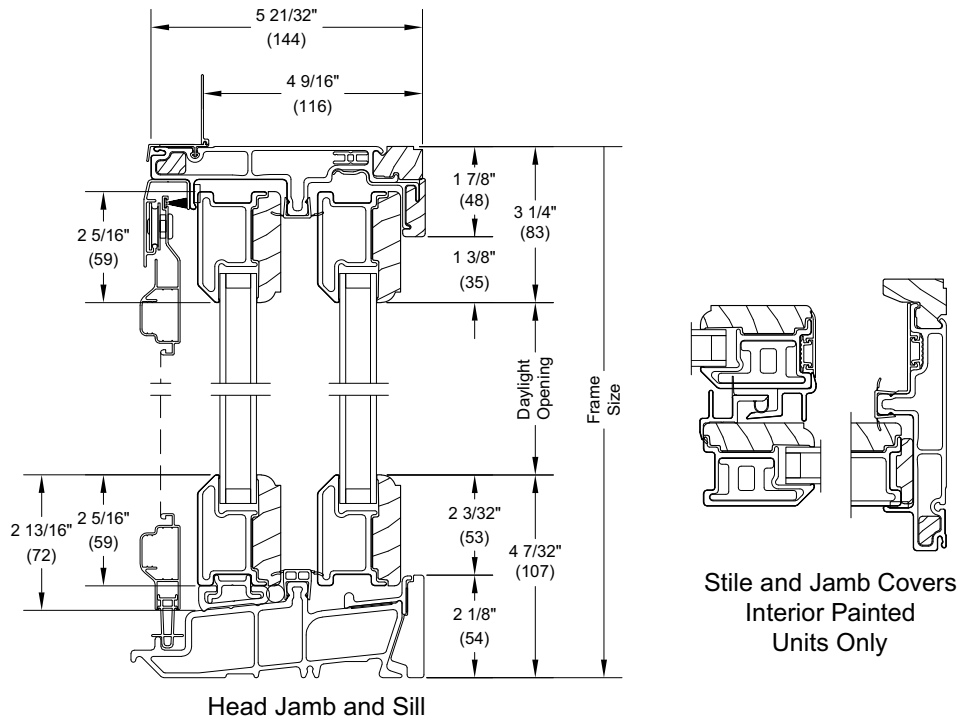
- Tributary Height = $(A+B+1/2)/2$



1/2" Mull Reinforcement (MRF) Mulling

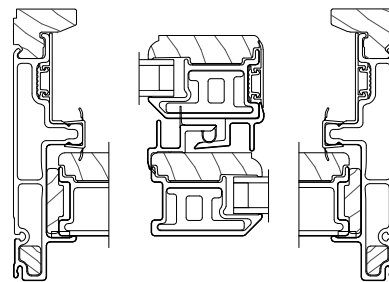
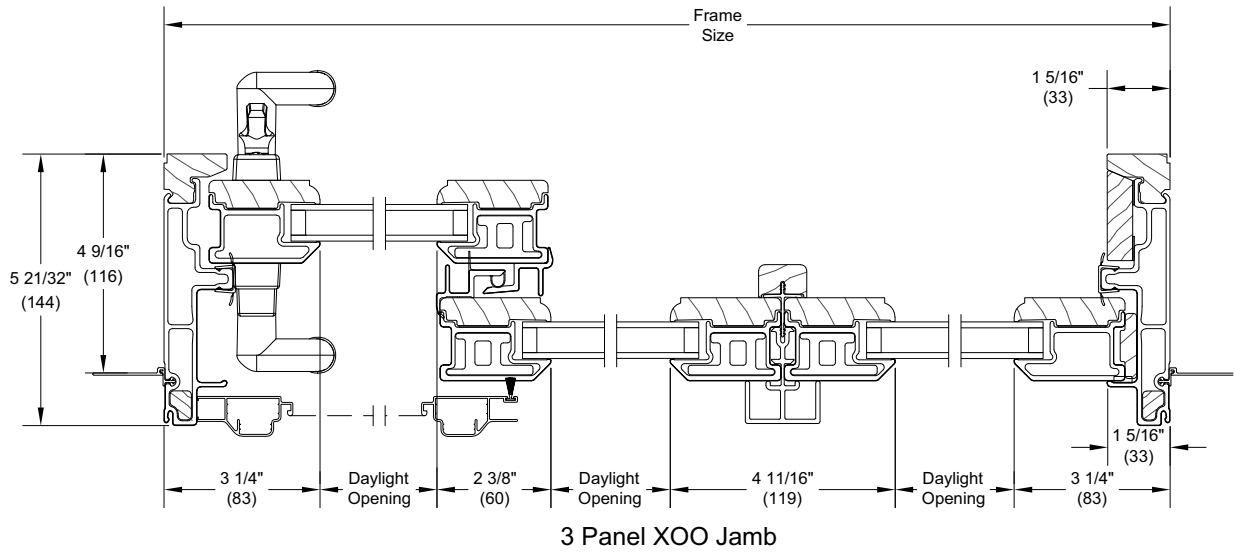
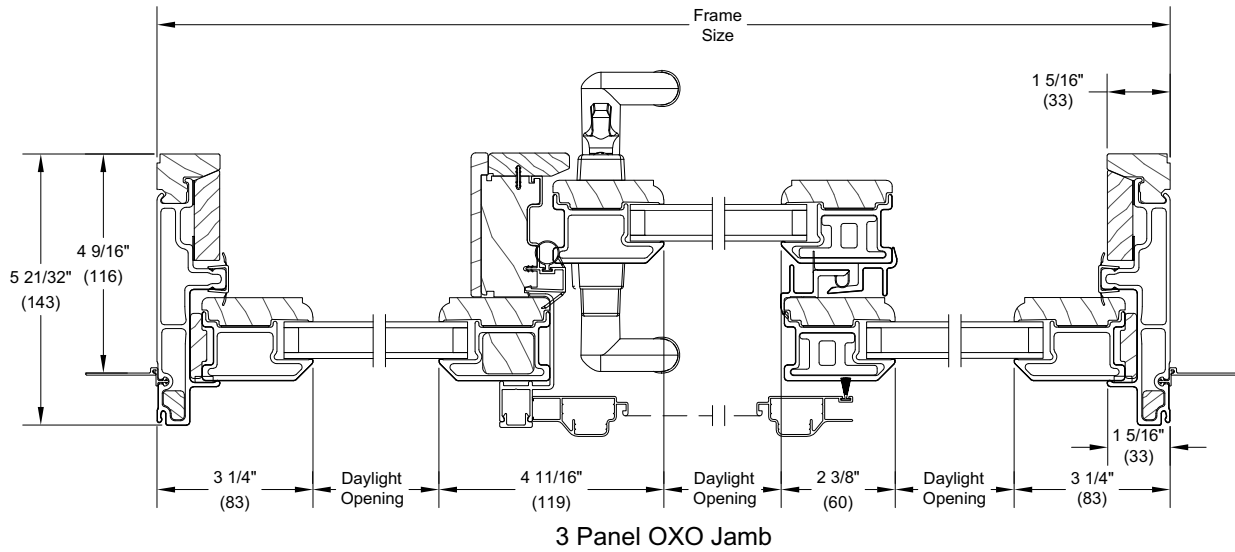
Section Details: Standard - 4 9/16" Jamb (2 panels)

Scale: 3" = 1' 0"



Section Details: Standard - 4 9/16" Jamb (3 panels)

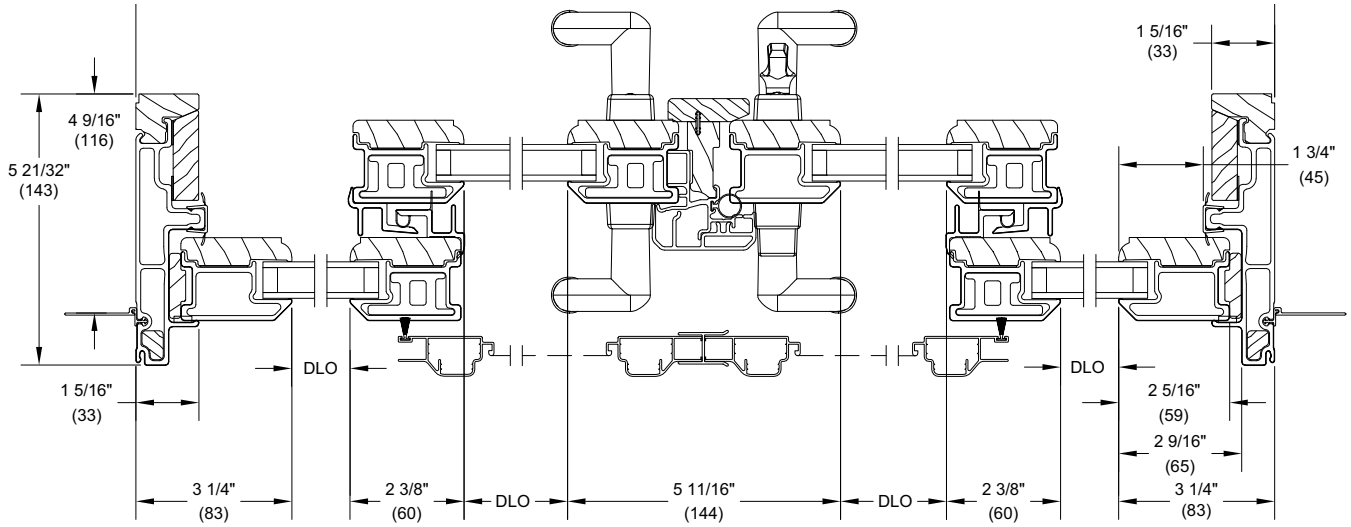
Scale: 3" = 1' 0"



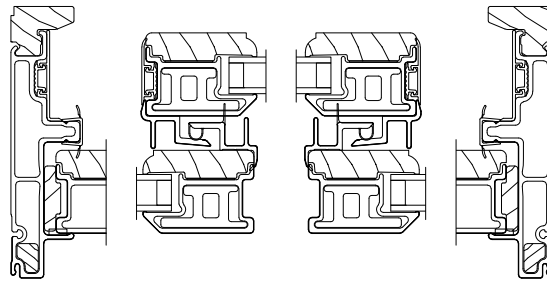
Stile and Jamb Covers
Interior Painted
Units Only

Section Details: Standard - 4 9/16" Jamb (4 panels)

Scale: 3" = 1' 0"



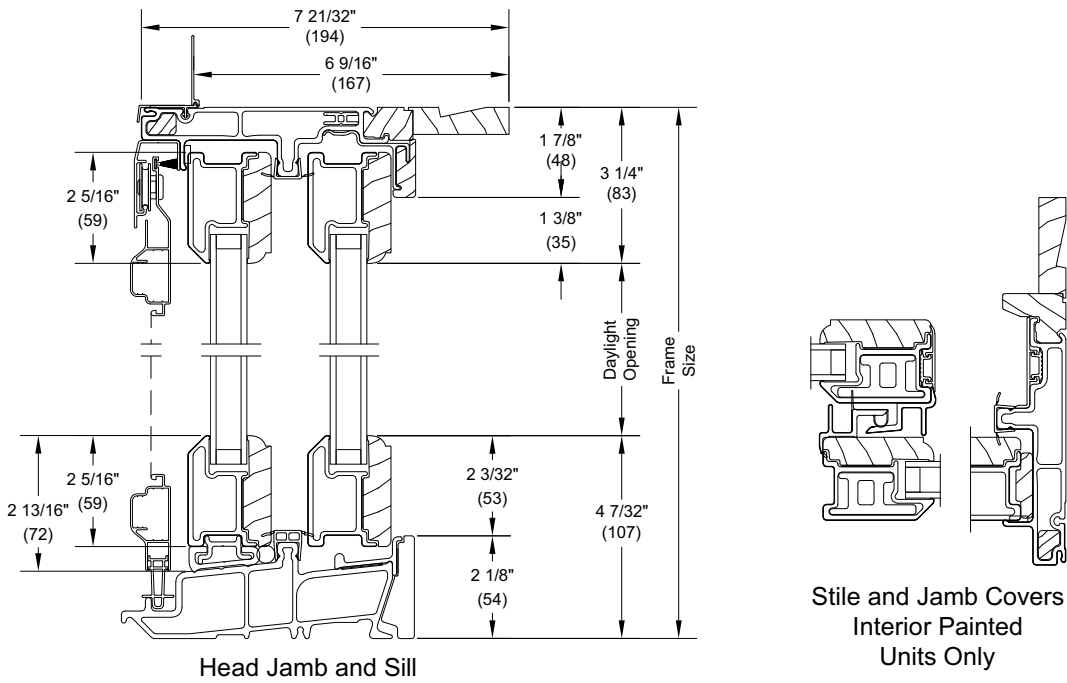
4 9/16" Jamb - 4 Panel OXXO Jamb



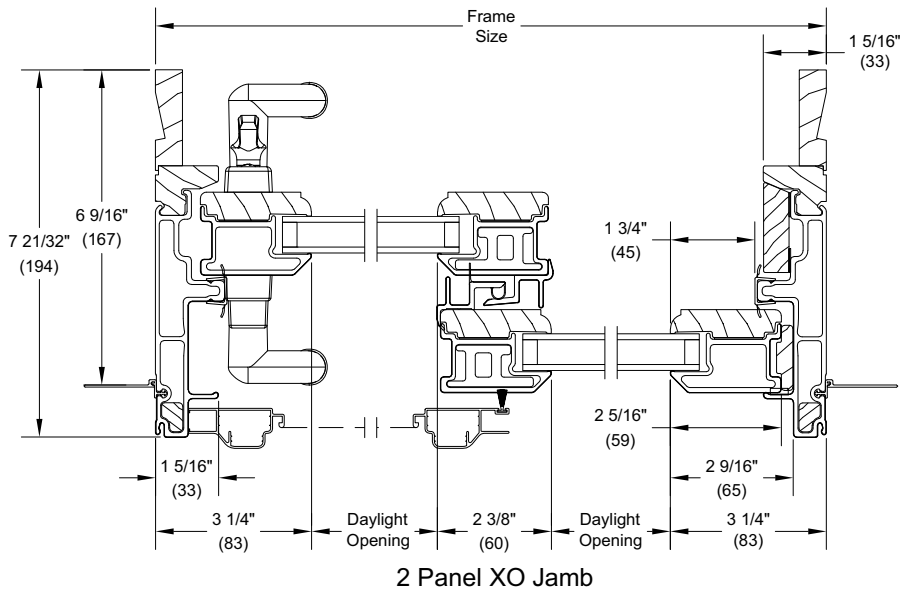
Stile and Jamb Covers
Interior Painted
Units Only

Section Details: Standard - 6 9/16" Jamb (2 panels)

Scale: 3" = 1' 0"

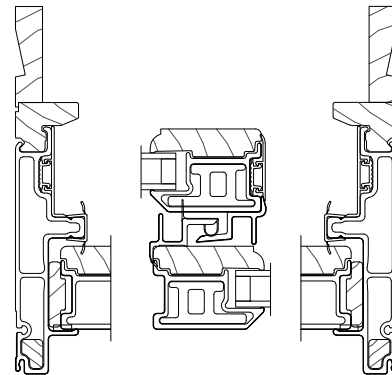
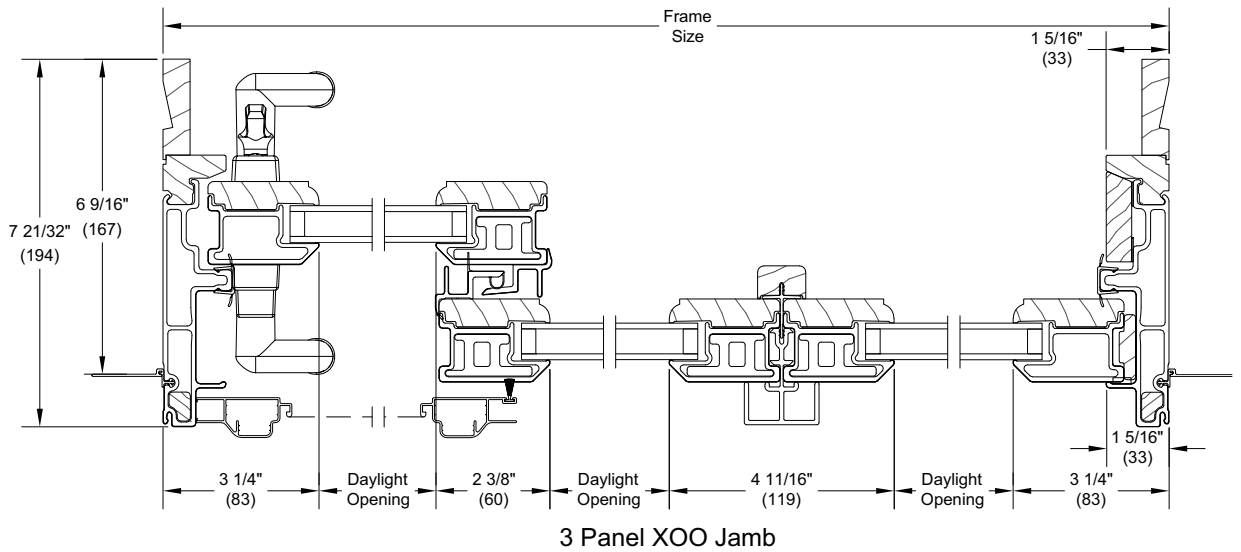
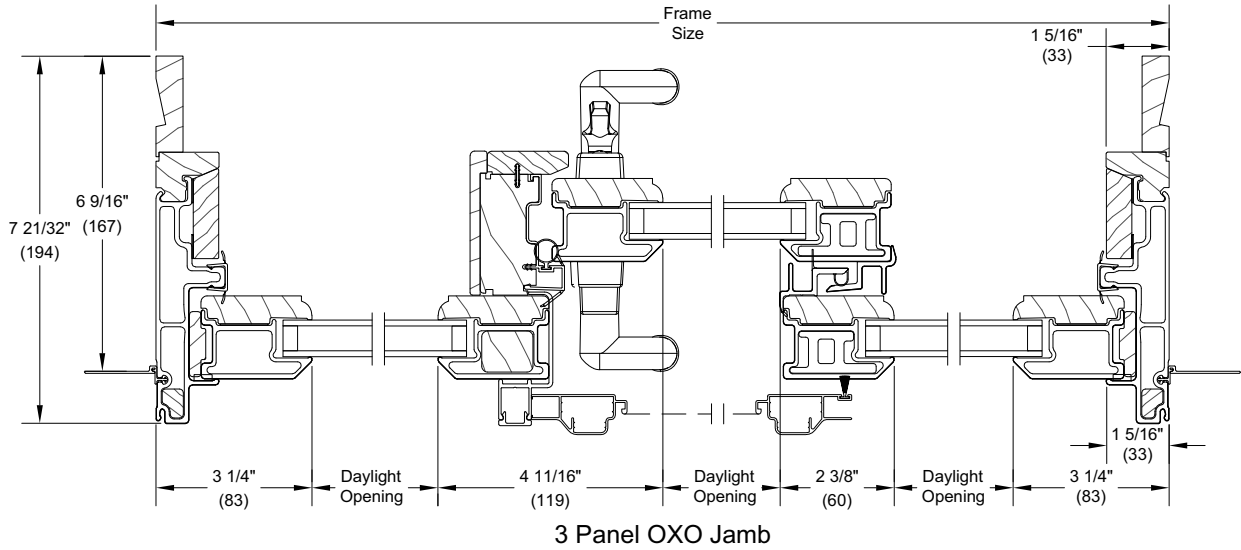


Stile and Jamb Covers
Interior Painted
Units Only



Section Details: Standard - 6 9/16" Jamb (3 panels)

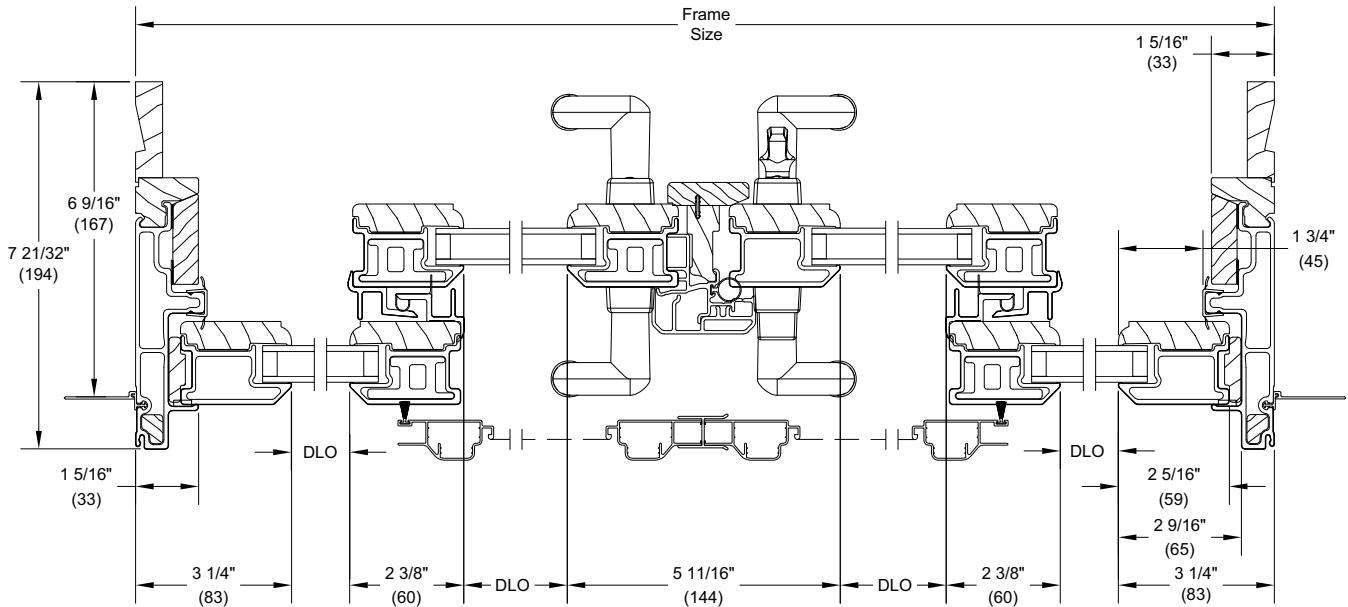
Scale: 3" = 1' 0"



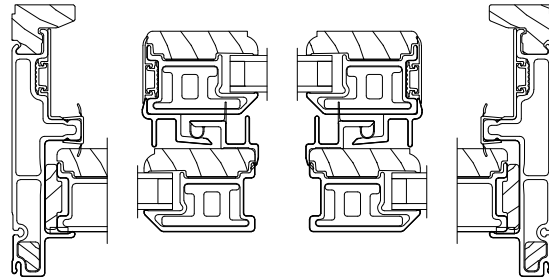
Stile and Jamb Covers
Interior Painted
Units Only

Section Details: Standard - 6 9/16" Jamb (4 panels)

Scale: 3" = 1' 0"



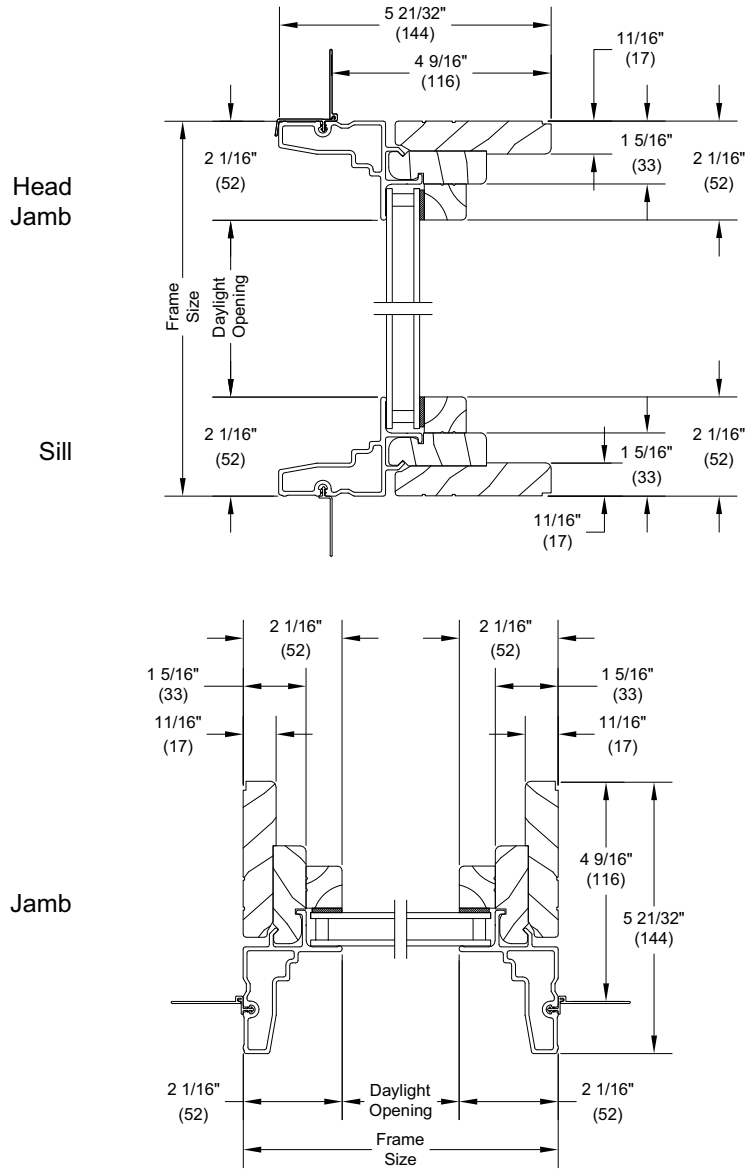
6 9/16" Jamb 4 Panel OXXO Jamb



**Stile and Jamb Covers
Interior Painted
Units Only**

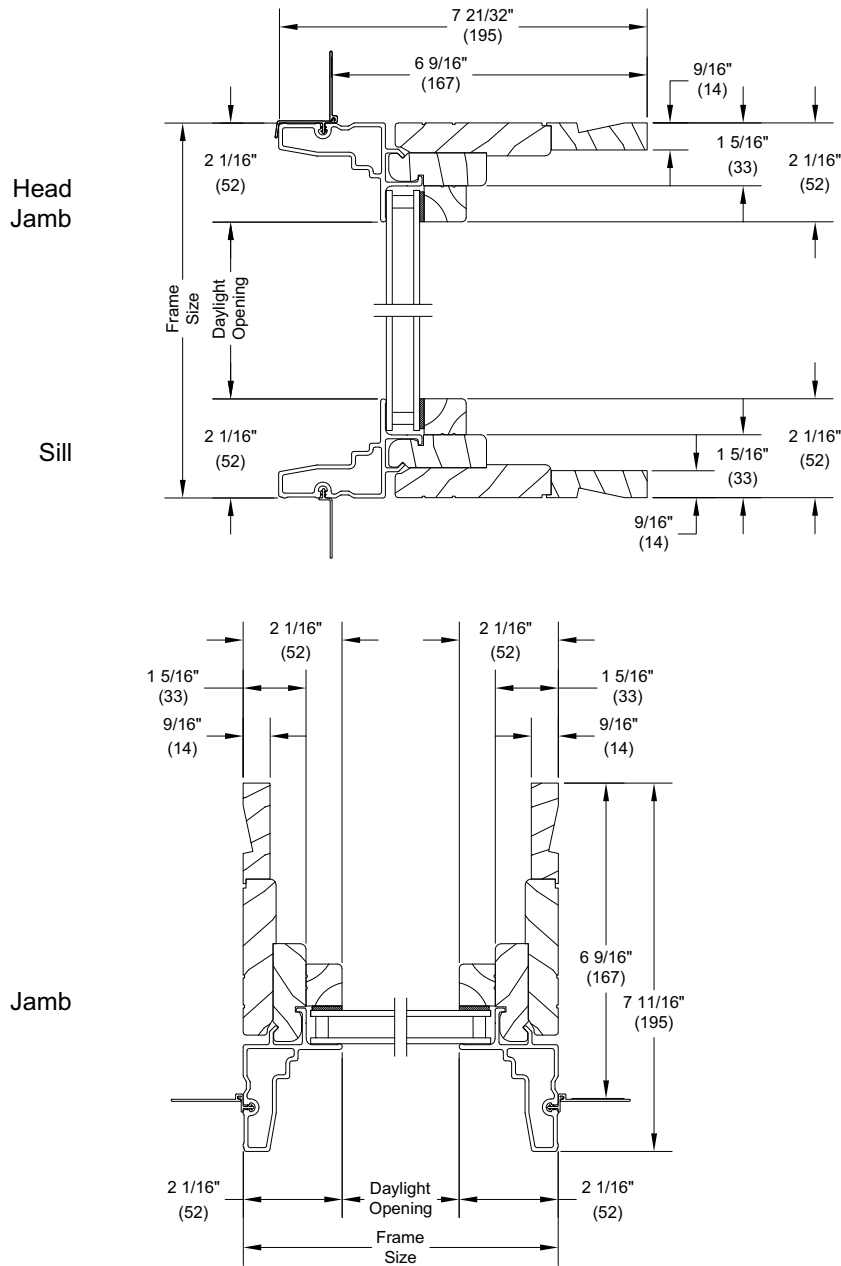
Section Details: Direct Glaze Rectangle - 4 9/16" Jambs

Scale: 3" = 1' 0"



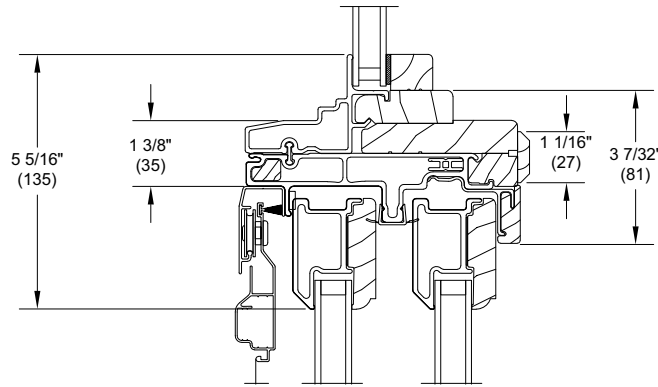
Section Details: Direct Glaze Rectangle - 6 9/16" Jambs

Scale: 3" = 1' 0"

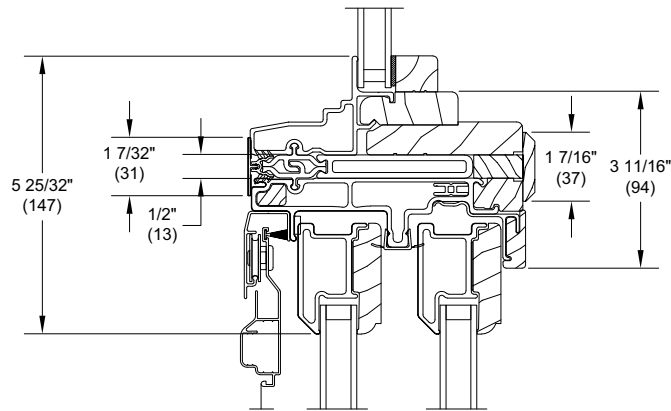


Section Details: Mullions

Scale: 3" = 1' 0"



Horizontal Standard Mull
Direct Glaze Over
Sliding Patio Door
4 9/16" Jamb

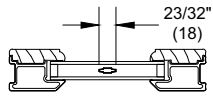


Horizontal 1/2" MRF
Direct Glaze Over
Sliding Patio Door
4 9/16" Jamb

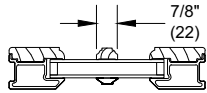
MRF = Mull Reinforcement

Section Details: Divided Lite Options

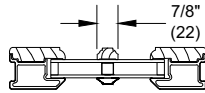
Divided Lite Options



Aluminum Grille
Between Glass



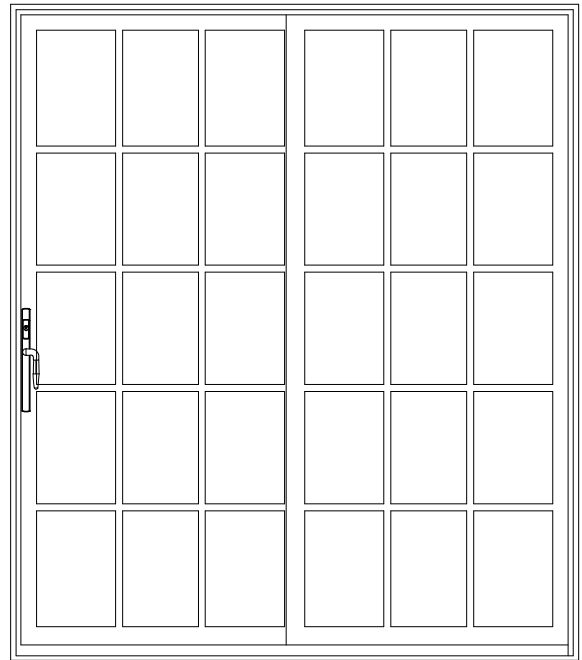
Wood SDL
Without Spacer Bar



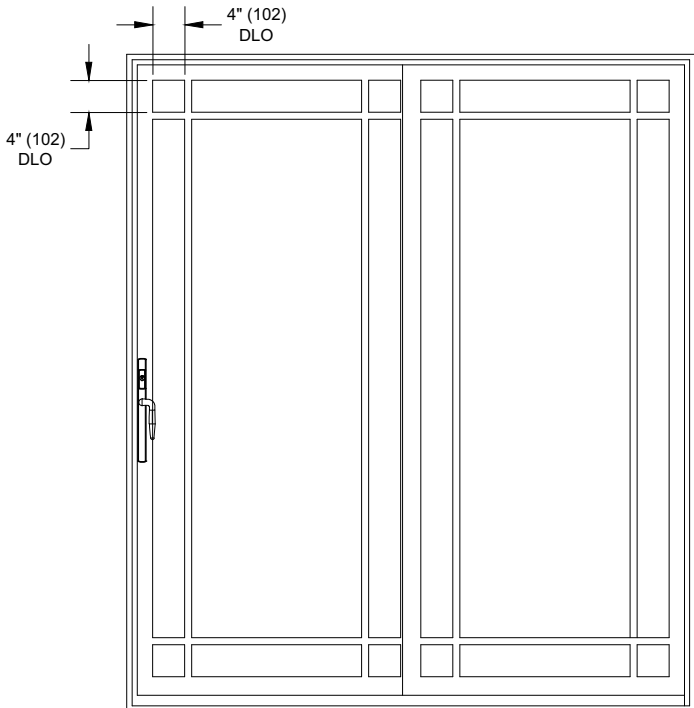
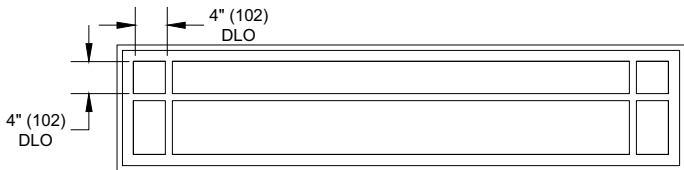
Wood SDL
With Spacer Bar

Conversion Formula:

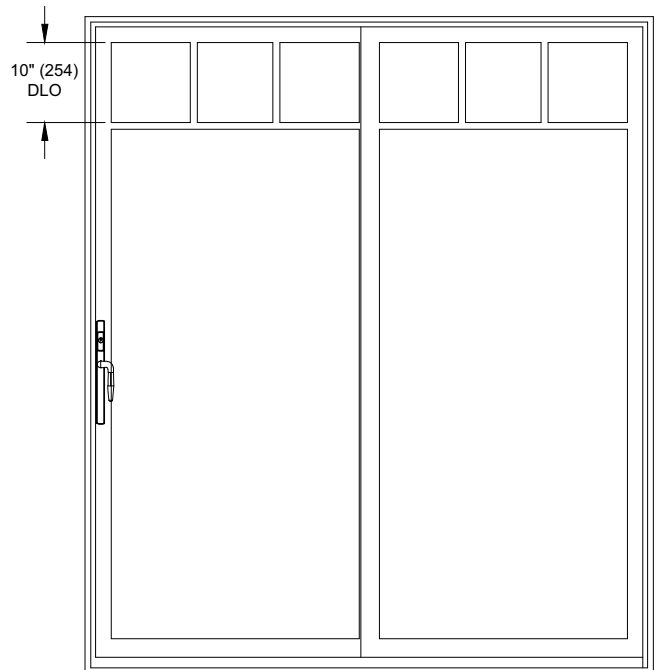
$$\frac{\text{Total DLO} - \text{Total Bar Width}}{\text{Number of lites}} = \text{Individual DLO}$$



Rectangle Cut



Prairie Lite Cut



Cottage Lite Cut

Section Details: Divided Lite Patterns

Default Rectangular Lite Pattern per Panel - GBG, SDL

CN Height	Standard CN Width								
	50 2-Panel	60 2-Panel	80 2-Panel	76 3-Panel	90 3-Panel	120 3-Panel	100 4-Panel	120 4-Panel	160 4-Panel
65	3W5H	3W5H	4W5H	3W5H	3W5H	4W5H	3W5H	3W5H	4W5H
68	3W5H	3W5H	4W5H	3W5H	3W5H	4W5H	3W5H	3W5H	4W5H
70	3W5H	3W5H	4W5H	3W5H	3W5H	4W5H	3W5H	3W5H	4W5H
80	3W6H	3W6H	4W6H	3W6H	3W6H	4W6H	3W6H	3W6H	4W6H

Optional Standard Cottage Lite Pattern per Panel - GBG, SDL

Standard CN Height	Standard CN Width								
	50 2-Panel	60 2-Panel	80 2-Panel	76 3-Panel	90 3-Panel	120 3-Panel	100 4-Panel	120 4-Panel	160 4-Panel
All Heights	4-Lite	4-Lite	5-Lite	4-Lite	4-Lite	5-Lite	4-Lite	4-Lite	5-Lite

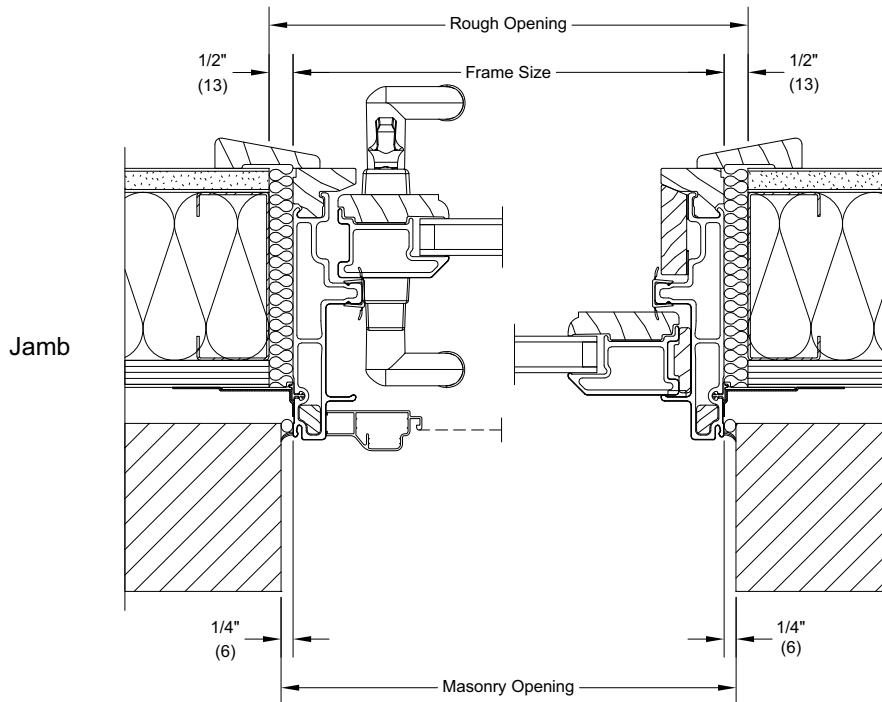
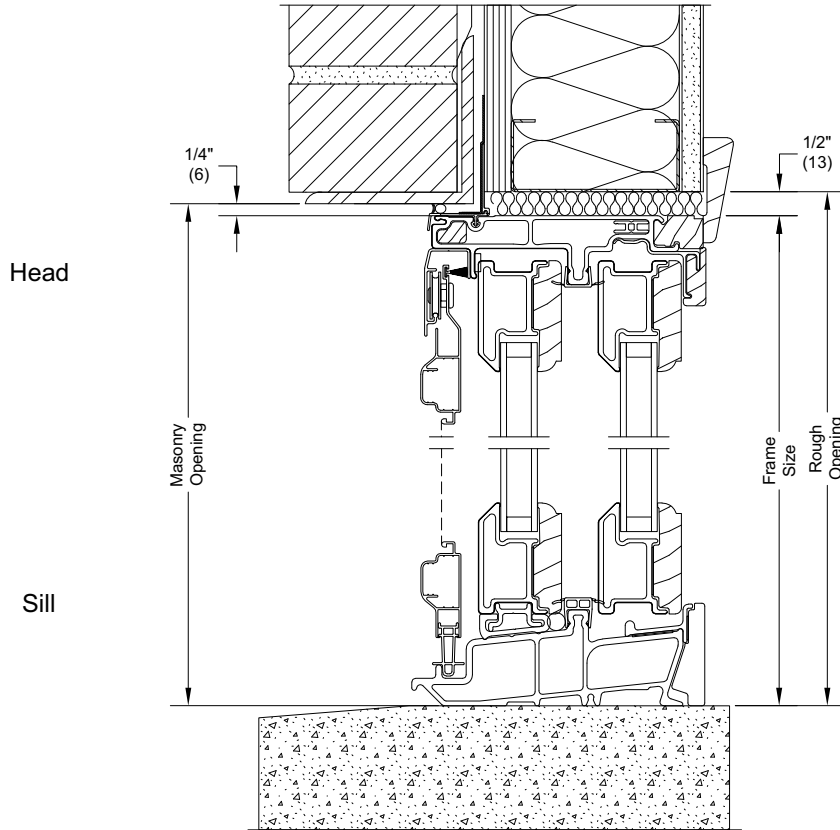
Default Rectangular Lite Pattern per Panel - GBG, SDL

Standard CN Height	Standard CN Width	
	72	107
16	6W1H	9W1H

NOTES:

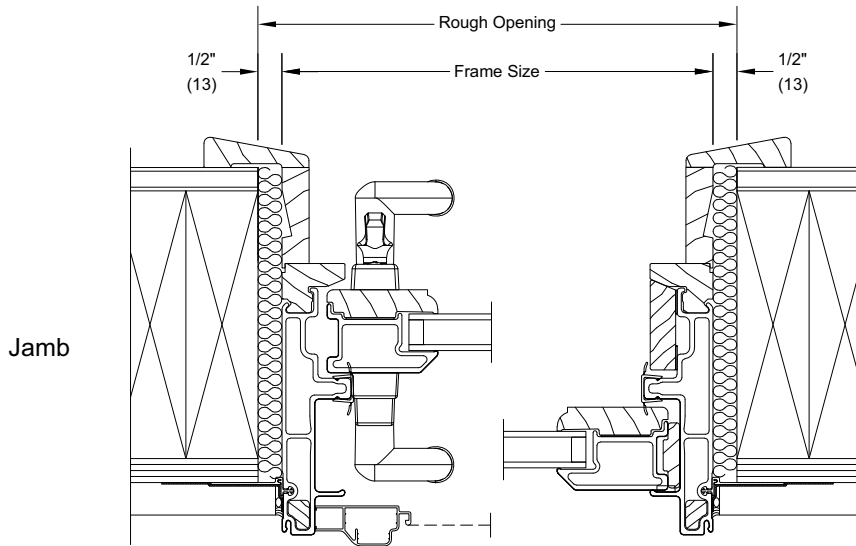
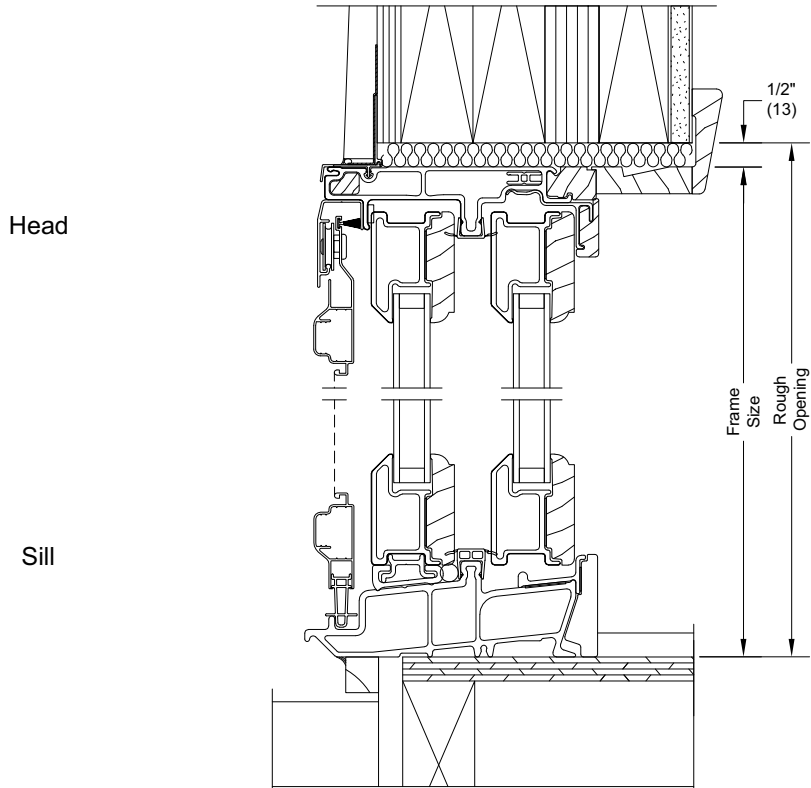
- Due to the inherent qualities of tempered glass, daylight gaps may be seen when using simulated divided lite bars. Daylight gaps could be visible between the internal spacer bar and surface applied bars when viewing from an acute angle to the glass on the following applications:
 - Tempered glass over 91" high while using 7/8" SDL bars
- Rectangle GBGs for special size units will default to the next smaller standard size lite pattern. Also available will be Prairie patterns, Cottage patterns, and customer specified equal rectangular lite patterns.
- Rectangular SDL for special size units will default to the next smaller standard size lite pattern. Also available will be Prairie patterns, Cottage patterns, and customer specified equal rectangular lite patterns. Prairie GBG and SDL available in 9 lite and 6 lite top, bottom, left, and right patterns.
- Prairie GBG and SDL available in 9 lite and 6 lite top, bottom, left, and right patterns.
- Cottage GBGs and SDL for special sizes units will default to the next smaller standard size lite pattern. Cottage GBGs and SDL are also available in customer selected lite patterns.
- Round Top lite patterns will not align with Sliding French Door optional GBGs or SDL lite cuts.
- Maximum number of lites wide and high for equal lite SDL option is 11 lites.
- Minimum DLO measurement for equal lite SDL option is 4" (102) and will be validated by OMS.
- Minimum DLO measurement for equal lite GBG option is 3" (76) and will be validated by OMS.
- Standard DLO measurement for Prairie GBG and SDL options is 4" (102). Special DLO corners are n/a.
- Standard DLO height measurement for Cottage SDL option is 10" (254). Minimum DLO height is 8" (203) for one high pattern. Minimum DLO height is 4" (102) for two high pattern.
- Standard DLO height measurement for Cottage GBG option is 10" (254). Minimum DLO height is 3" (76) for both one and two high patterns.
- Simulated Rail: Rectangular, Prairie 6- Lite and 9- Lite SDL patterns are available with Simulated Rail.
- Simulated Rail: Custom ratio and specified DLO are available with Simulated Rail and will be validated by OMS.
- GBGs are not available with an unsupported bar length > 72".

Installation Suggestions: Brick Veneer with Steel Frame Construction



NOTE: The above wall sections represent typical wall conditions, these detail are not intended as installation instructions. Please refer to the installation instructions provided with the purchased units.

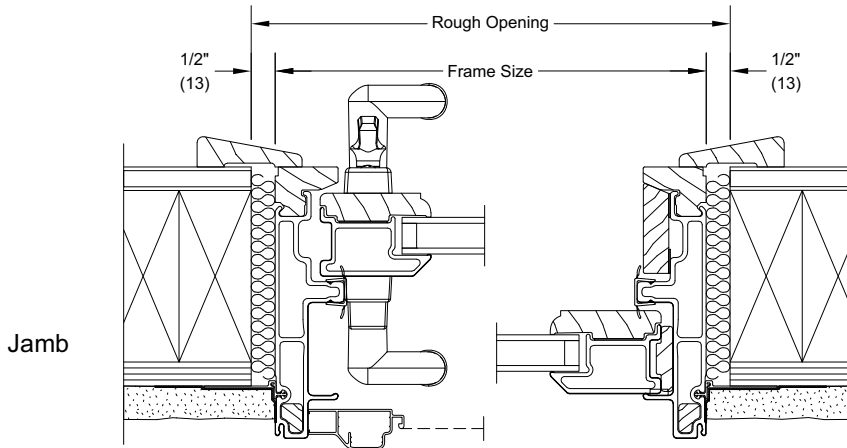
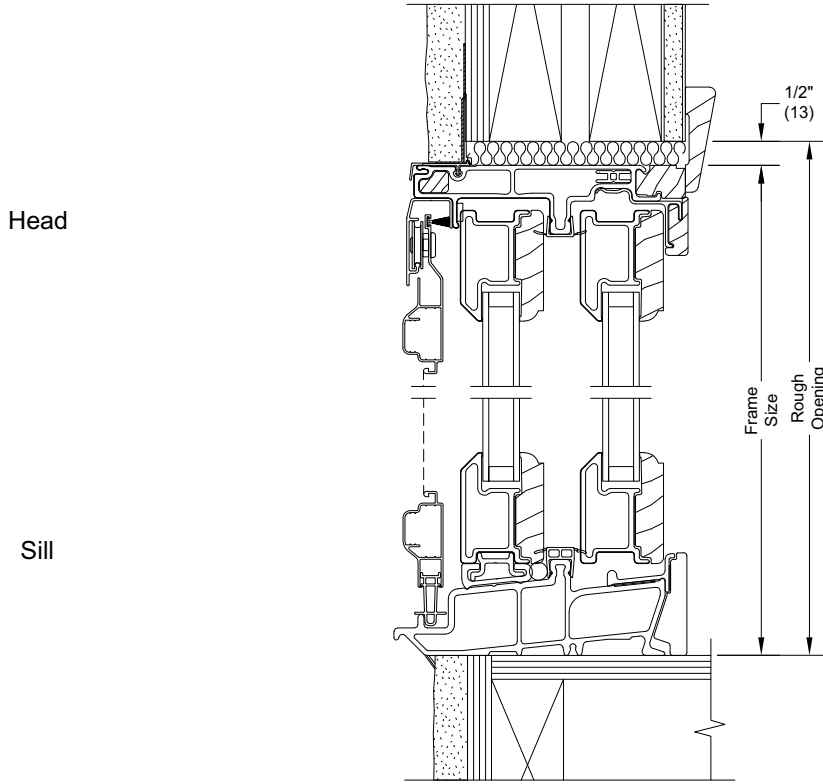
Installation Suggestions: Wood Siding with 2x6 Frame Construction



NOTE: The above wall sections represent typical wall conditions, these detail are not intended as installation instructions. Please refer to the installation instructions provided with the purchased units.

Installation Suggestions: Stucco with 2x4 Frame Construction

Scale: 3" = 1' 0"



NOTE: The above wall sections represent typical wall conditions, these detail are not intended as installation instructions. Please refer to the installation instructions provided with the purchased units.