

# Essential Direct Glaze Round Tops

Unit Features.....	1
Min/Max Guidelines, Certified Sizes, Measurement Conversions.....	2
Standard Sizes: RT1 - True Half Circle.....	3
Standard Sizes: RT2 - True Half above Springline .....	4
Standard Sizes: RT6 - Eyebrow above Springline .....	6
Standard Divided Lite Options.....	9
Section Details .....	11
Construction Details - Vinyl Siding with 2x4 Frame Construction .....	12
Construction Details - Brick Veneer with Steel Frame Construction .....	13
Construction Details - Stucco with 2x6 Frame Construction .....	14



**Unit Features**

Essential Direct Glaze Round Top: ESDGRT

For applicable certification and code information, refer to the Introduction and Product Performance chapter.

**Frame and Sash:**

- The frame exterior is made of Ultrex<sup>®</sup>, glass reinforced composite material.
- Composite frame depth is 3 3/32" (79) with 2 (51) jamb depth standard.
- Exterior colors: Stone White, Pebble Gray, Bronze, Cashmere, Gunmetal, or Ebony.
- Interior colors: Stone White, Bronze, Gunmetal, or Ebony.
- Split finishes are not available for dark interior options. Only Bronze interior/Bronze exterior, Gunmetal interior/Gunmetal exterior, and Ebony interior/Ebony exterior combinations are available for dark interior options.

**Installation:**

- Nailing fin is standard with unit.
- Optional installation brackets for masonry are available in lieu of folding nailing fin.
- Optional pre-drilled holes for through jamb installation available.

**Glazing:**

- All units are manufactured with an 11/16" (17) IG with Low E2, E1, or E3/ERS coating including argon or air fill. Clear (uncoated) glass available with air fill only.
- Tempered glass and/or obscure glass, and California Fire glass (annealed exterior and tempered interior glazing configuration) are available as an option.
- The glazing seal is a silicone bedding on the exterior surface and rigid vinyl glazing stop on the interior.
- The perimeter spacer default is mill finish (stainless). An optional black perimeter spacer color is available for all unit interior color selections.
- STC/OITC values are available for 3.1 mm glass thickness.
  - Optional 3.1/4.7 STC/OITC Upgrade glass is available. See the Product Performance chapter for STC and OITC ratings.
- Decorative glass options include frost, glue chip, rain, reed, narrow reed, and tinted (bronze, gray or green). Decorative glass is not available with Low E1, Low E3/ERS, or STC/OITC Upgrade.

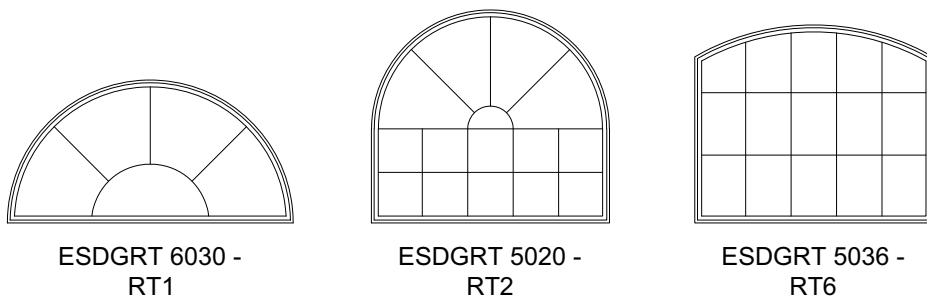
**Grilles-Between-The-Glass:**

- Interior bar is 23/32" (18)
- Exterior colors: Stone White, Pebble Gray, Bronze, Cashmere, Gunmetal, or Ebony.
- Interior colors: Stone White, Bronze, Gunmetal, or Ebony (matches unit interior color).
- Available in closed hub with 3 spokes - 4 lite sunburst pattern.
- Available in standard sunburst patterns with an open hub, or standard rectangular lites.
- Not available with tinted glass.

**Mulling:**

- For mull performance, refer to the Essential Mulling Chapter of the ADM.
- Mull kits are available for field assembly. Kits include instructions, mull covers, mull plugs and brackets.

**ROUND TOP OPTIONS**



**Min/Max Guidelines, Certified Sizes, Measurement Conversions**

**Min/Max Sizes**

Minimum and Maximum Guidelines - Direct Glaze Round Tops												
Round Top Shape	Frame Size										Max Total Frame Area	
	Min Width		Min Height		Min Springline		Max Width		Max Height			
	in	mm	in	mm	in	mm	in	mm	in	mm	ft <sup>2</sup>	m <sup>2</sup>
RT1	29 1/2	(749)	14 3/4	(375)	N/A		95 1/2	(2426)	47 3/4	(1213)	N/A	N/A
RT2	29 1/2	(749)	26 1/4	(667)	11 1/2	(292)	71 1/2	(1816)	83 1/4	(2115)	35	(3)
RT6	29 1/2	(749)	12 1/2	(318)	11 1/2	(292)	95 1/2	(2426)	79 15/32	(2019)	35	(3)

**Certified Sizes**

Product	Air Tested to PSF	Water Tested to psf	Design Pressure (DP)	Certification Rating	Max Overall Width		Max Overall Height	
					in	mm	in	mm
Essential Direct Glaze Round Top	1.57	9.75	50	CW-PG50-FW	65	(1651)	65	(1651)
Essential Direct Glaze Round Top	1.57	9.75	50	CW-PG50-FW	83	(2108)	83	(2108)
Essential Direct Glaze Round Top	1.57	9.75	50	CW-PG50-FW	87	(2210)	50	(1270)

**Measurement Conversions**

Unit Measurements		Width		Height	
From	To	in	mm	in	mm
<b>Frame Measurement</b>					
Rough Opening	Frame OM	-1/2	(13)	-1/2	(13)
<b>Glass</b>					
Rough Opening	Glass Size	-2 3/4	(70)	-2 3/4	(70)
Glass Size	Daylight Opening	-1 3/16	(30)	-1 3/16	(30)
Rough Opening	Daylight Opening	-3 15/16	(100)	-3 15/16	(100)
Rough Opening	Masonry Opening			-1/4	(06)

Standard Sizes: RT1 - True Half Circle

Essential Round Top RT1																
CN	Width								Height							
	Masonry Opening		Rough Opening		Frame Size		Daylight Opening		Masonry Opening		Rough Opening		Frame Size		Daylight Opening	
	ft - in	(mm)	ft - in	(mm)	ft - in	(mm)	ft - in	(mm)	ft - in	(mm)	ft - in	(mm)	ft - in	(mm)	ft - in	(mm)
2613	2-6	(762)	2-6	(762)	2-5 1/2	(749)	2-1 7/8	(656)	1-3	(381)	1-3 1/4	(387)	1-2 3/4	(375)	0-11 5/16	(287)
2814	2-8	(813)	2-8	(813)	2-7 1/2	(800)	2-3 7/8	(707)	1-4	(406)	1-4 1/4	(413)	1-3 3/4	(400)	1-0 5/16	(313)
3016	3-0	(914)	3-0	(914)	2-11 1/2	(902)	2-7 7/8	(810)	1-6	(457)	1-6 1/4	(464)	1-5 3/4	(451)	1-2 5/16	(363)
3619	3-6	(1067)	3-6	(1067)	3-5 1/2	(1054)	3-1 15/16	(963)	1-9	(533)	1-9 1/4	(540)	1-8 3/4	(527)	1-5 5/16	(440)
4020	4-0	(1219)	4-0	(1219)	3-11 1/2	(1207)	3-7 15/16	(1116)	2-0	(610)	2-0 1/4	(616)	1-11 3/4	(603)	1-8 5/16	(516)
5026	5-0	(1524)	5-0	(1524)	4-11 1/2	(1511)	4-7 15/16	(1421)	2-6	(762)	2-6 1/4	(768)	2-5 3/4	(756)	2-2 5/16	(668)
5428	5-4	(1626)	5-4	(1626)	5-3 1/2	(1613)	5-0	(1523)	2-8	(813)	2-8 1/4	(819)	2-7 3/4	(806)	2-4 5/16	(719)
6030	6-0	(1829)	6-0	(1829)	5-11 1/2	(1816)	5-8	(1726)	3-0	(914)	3-0 1/4	(921)	2-11 3/4	(908)	2-8 5/16	(821)
7036	7-0	(2134)	7-0	(2134)	6-11 1/2	(2121)	6-8	(2032)	3-6	(1067)	3-6 1/4	(1073)	3-5 3/4	(1060)	3-2 5/16	(973)
8040	8-0	(2438)	8-0	(2438)	7-11 1/2	(2426)	7-8	(2337)	4-0	(1219)	4-0 1/4	(1226)	3-11 3/4	(1213)	3-8 5/16	(1125)

For elevations, visit: <https://www.marvin.com/integrity/windows/all-ultrex-arched>

**Standard Sizes: RT2 - True Half above Springline**

Essential Round Top RT2																		
CN	Width								Height									
	Masonry Opening		Rough Opening		Frame Size		Daylight Opening		Masonry Opening		Rough Opening		Frame Size		Springline Frame Size and RO		Daylight Opening	
	ft - in	(mm)	ft - in	(mm)	ft - in	(mm)	ft - in	(mm)	ft - in	(mm)	ft - in	(mm)	ft - in	(mm)	ft - in	(mm)	ft - in	(mm)
2610	2-6	(762)	2-6	(762)	2-5 1/2	(749)	2-2 1/16	(662)	2-2 1/2	(673)	2-2 3/4	(679)	2-2 1/4	(667)	0-11 1/2	(292)	1-10 13/16	(579)
2616	2-6	(762)	2-6	(762)	2-5 1/2	(749)	2-2 1/16	(662)	2-8 1/2	(826)	2-8 3/4	(832)	2-8 1/4	(819)	1-5 1/2	(445)	2-4 13/16	(732)
2620	2-6	(762)	2-6	(762)	2-5 1/2	(749)	2-2 1/16	(662)	3-2 1/2	(978)	3-2 3/4	(984)	3-2 1/4	(972)	1-11 1/2	(597)	2-10 13/16	(884)
2626	2-6	(762)	2-6	(762)	2-5 1/2	(749)	2-2 1/16	(662)	3-8 1/2	(1130)	3-8 3/4	(1137)	3-8 1/4	(1124)	2-5 1/2	(749)	3-4 13/16	(1037)
2630	2-6	(762)	2-6	(762)	2-5 1/2	(749)	2-2 1/16	(662)	4-2 1/2	(1283)	4-2 3/4	(1289)	4-2 1/4	(1276)	2-11 1/2	(902)	3-10 13/16	(1189)
2636	2-6	(762)	2-6	(762)	2-5 1/2	(749)	2-2 1/16	(662)	4-8 1/2	(1435)	4-8 3/4	(1441)	4-8 1/4	(1429)	3-5 1/2	(1054)	4-4 13/16	(1341)
2640	2-6	(762)	2-6	(762)	2-5 1/2	(749)	2-2 1/16	(662)	5-2 1/2	(1588)	5-2 3/4	(1594)	5-2 1/4	(1581)	3-11 1/2	(1207)	4-10 13/16	(1494)
2646	2-6	(762)	2-6	(762)	2-5 1/2	(749)	2-2 1/16	(662)	5-8 1/2	(1740)	5-8 3/4	(1746)	5-8 1/4	(1734)	4-5 1/2	(1359)	5-4 13/16	(1646)
2650	2-6	(762)	2-6	(762)	2-5 1/2	(749)	2-2 1/16	(662)	6-2 1/2	(1892)	6-2 3/4	(1899)	6-2 1/4	(1886)	4-11 1/2	(1511)	5-10 13/16	(1799)
2810	2-8	(813)	2-8	(813)	2-7 1/2	(800)	2-4 1/16	(713)	6-3 1/2	(699)	2-3 1/4	(705)	2-3 1/4	(705)	0-11 1/2	(292)	1-11 13/16	(605)
2816	2-8	(813)	2-8	(813)	2-7 1/2	(800)	2-4 1/16	(713)	2-9 1/2	(851)	2-9 3/4	(857)	2-9 1/4	(845)	1-5 1/2	(445)	2-5 13/16	(757)
2820	2-8	(813)	2-8	(813)	2-7 1/2	(800)	2-4 1/16	(713)	3-3 1/2	(1003)	3-3 3/4	(1010)	3-3 1/4	(997)	1-11 1/2	(597)	2-11 13/16	(910)
2826	2-8	(813)	2-8	(813)	2-7 1/2	(800)	2-4 1/16	(713)	3-9 1/2	(1156)	3-9 3/4	(1162)	3-9 1/4	(1149)	2-5 1/2	(749)	3-5 13/16	(1062)
2830	2-8	(813)	2-8	(813)	2-7 1/2	(800)	2-4 1/16	(713)	4-3 1/2	(1308)	4-3 3/4	(1314)	4-3 1/4	(1302)	2-11 1/2	(902)	3-11 13/16	(1214)
2836	2-8	(813)	2-8	(813)	2-7 1/2	(800)	2-4 1/16	(713)	4-9 1/2	(1461)	4-9 3/4	(1467)	4-9 1/4	(1454)	3-5 1/2	(1054)	4-5 13/16	(1367)
2840	2-8	(813)	2-8	(813)	2-7 1/2	(800)	2-4 1/16	(713)	5-3 1/2	(1613)	5-3 3/4	(1619)	5-3 1/4	(1607)	3-11 1/2	(1207)	4-11 13/16	(1519)
2846	2-8	(813)	2-8	(813)	2-7 1/2	(800)	2-4 1/16	(713)	5-9 1/2	(1765)	5-9 3/4	(1772)	5-9 1/4	(1759)	4-5 1/2	(1359)	5-5 13/16	(1672)
2850	2-8	(813)	2-8	(813)	2-7 1/2	(800)	2-4 1/16	(713)	6-3 1/2	(1918)	6-3 3/4	(1924)	6-3 1/4	(1911)	4-11 1/2	(1511)	5-11 13/16	(1824)
3010	3-0	(914)	3-0	(914)	2-11 1/2	(902)	2-8 1/16	(814)	2-5 1/2	(749)	2-5 3/4	(756)	2-5 1/4	(743)	0-11 1/2	(292)	2-1 13/16	(656)
3016	3-0	(914)	3-0	(914)	2-11 1/2	(902)	2-8 1/16	(814)	2-11 1/2	(902)	2-11 3/4	(908)	2-11 1/4	(895)	1-5 1/2	(445)	2-7 13/16	(808)
3020	3-0	(914)	3-0	(914)	2-11 1/2	(902)	2-8 1/16	(814)	3-5 1/2	(1054)	3-5 3/4	(1060)	3-5 1/4	(1048)	1-11 1/2	(597)	3-1 13/16	(960)
3026	3-0	(914)	3-0	(914)	2-11 1/2	(902)	2-8 1/16	(814)	3-11 1/2	(1207)	3-11 3/4	(1213)	3-11 1/4	(1200)	2-5 1/2	(749)	3-7 13/16	(1113)
3030	3-0	(914)	3-0	(914)	2-11 1/2	(902)	2-8 1/16	(814)	4-5 1/2	(1359)	4-5 3/4	(1365)	4-5 1/4	(1353)	2-11 1/2	(902)	4-1 13/16	(1265)
3036	3-0	(914)	3-0	(914)	2-11 1/2	(902)	2-8 1/16	(814)	4-11 1/2	(1511)	4-11 3/4	(1518)	4-11 1/4	(1505)	3-5 1/2	(1054)	4-7 13/16	(1418)
3040	3-0	(914)	3-0	(914)	2-11 1/2	(902)	2-8 1/16	(814)	5-5 1/2	(1664)	5-5 3/4	(1670)	5-5 1/4	(1657)	3-11 1/2	(1207)	5-1 13/16	(1570)
3046	3-0	(914)	3-0	(914)	2-11 1/2	(902)	2-8 1/16	(814)	5-11 1/2	(1816)	5-11 3/4	(1822)	5-11 1/4	(1810)	4-5 1/2	(1359)	5-7 13/16	(1722)
3050	3-0	(914)	3-0	(914)	2-11 1/2	(902)	2-8 1/16	(814)	6-5 1/2	(1969)	6-5 3/4	(1975)	6-5 1/4	(1962)	4-11 1/2	(1511)	6-1 13/16	(1875)
3610	3-6	(1067)	3-6	(1067)	3-5 1/2	(1054)	3-2 1/16	(967)	2-8 1/2	(826)	2-8 3/4	(832)	2-8 1/4	(819)	0-11 1/2	(292)	2-4 13/16	(732)
3616	3-6	(1067)	3-6	(1067)	3-5 1/2	(1054)	3-2 1/16	(967)	3-2 1/2	(978)	3-2 3/4	(984)	3-2 1/4	(972)	1-5 1/2	(445)	2-10 13/16	(884)
3620	3-6	(1067)	3-6	(1067)	3-5 1/2	(1054)	3-2 1/16	(967)	3-8 1/2	(1130)	3-8 3/4	(1137)	3-8 1/4	(1124)	1-11 1/2	(597)	3-4 13/16	(1037)
3626	3-6	(1067)	3-6	(1067)	3-5 1/2	(1054)	3-2 1/16	(967)	4-2 1/2	(1283)	4-2 3/4	(1289)	4-2 1/4	(1276)	2-5 1/2	(749)	3-10 13/16	(1189)
3630	3-6	(1067)	3-6	(1067)	3-5 1/2	(1054)	3-2 1/16	(967)	4-8 1/2	(1435)	4-8 3/4	(1441)	4-8 1/4	(1429)	2-11 1/2	(902)	4-4 13/16	(1341)
3636	3-6	(1067)	3-6	(1067)	3-5 1/2	(1054)	3-2 1/16	(967)	5-2 1/2	(1588)	5-2 3/4	(1594)	5-2 1/4	(1581)	3-5 1/2	(1054)	4-10 13/16	(1494)
3640	3-6	(1067)	3-6	(1067)	3-5 1/2	(1054)	3-2 1/16	(967)	5-8 1/2	(1740)	5-8 3/4	(1746)	5-8 1/4	(1734)	3-11 1/2	(1207)	5-4 13/16	(1646)
3646	3-6	(1067)	3-6	(1067)	3-5 1/2	(1054)	3-2 1/16	(967)	6-2 1/2	(1892)	6-2 3/4	(1899)	6-2 1/4	(1886)	4-5 1/2	(1359)	5-10 13/16	(1799)
3650	3-6	(1067)	3-6	(1067)	3-5 1/2	(1054)	3-2 1/16	(967)	6-8 1/2	(2045)	6-8 3/4	(2051)	6-8 1/4	(2038)	4-11 1/2	(1511)	6-4 13/16	(1951)
4010	4-0	(1219)	4-0	(1219)	3-11 1/2	(1207)	3-8 1/16	(1119)	2-11 1/2	(902)	2-11 3/4	(908)	2-11 1/4	(895)	0-11 1/2	(292)	2-7 13/16	(808)
4016	4-0	(1219)	4-0	(1219)	3-11 1/2	(1207)	3-8 1/16	(1119)	3-5 1/2	(1054)	3-5 3/4	(1060)	3-5 1/4	(1048)	1-5 1/2	(445)	3-1 13/16	(960)
4020	4-0	(1219)	4-0	(1219)	3-11 1/2	(1207)	3-8 1/16	(1119)	3-11 1/2	(1207)	3-11 3/4	(1213)	3-11 1/4	(1200)	1-11 1/2	(597)	3-7 13/16	(1113)
4026	4-0	(1219)	4-0	(1219)	3-11 1/2	(1207)	3-8 1/16	(1119)	4-5 1/2	(1359)	4-5 3/4	(1365)	4-5 1/4	(1353)	2-5 1/2	(749)	4-1 13/16	(1265)
4030	4-0	(1219)	4-0	(1219)	3-11 1/2	(1207)	3-8 1/16	(1119)	4-11 1/2	(1511)	4-11 3/4	(1518)	4-11 1/4	(1505)	2-11 1/2	(902)	4-7 13/16	(1418)
4036	4-0	(1219)	4-0	(1219)	3-11 1/2	(1207)	3-8 1/16	(1119)	5-5 1/2	(1664)	5-5 3/4	(1670)	5-5 1/4	(1657)	3-5 1/2	(1054)	5-1 13/16	(1570)
4040	4-0	(1219)	4-0	(1219)	3-11 1/2	(1207)	3-8 1/16	(1119)	5-11 1/2	(1816)	5-11 3/4	(1822)	5-11 1/4	(1810)	3-11 1/2	(1207)	5-7 13/16	(1722)
4046	4-0	(1219)	4-0	(1219)	3-11 1/2	(1207)	3-8 1/16	(1119)	6-5 1/2	(1969)	6-5 3/4	(1975)	6-5 1/4	(1962)	4-5 1/2	(1359)	6-1 13/16	(1875)
4050	4-0	(1219)	4-0	(1219)	3-11 1/2	(1207)	3-8 1/16	(1119)	6-11 1/2	(2121)	6-11 3/4	(2127)	6-11 1/4	(2115)	4-11 1/2	(1511)	6-7 13/16	(2027)

For elevations, visit: <https://www.marvin.com/integrity/windows/all-ultrex-arched>

**Standard Sizes: RT2 - True Half above Springline**

Essential Round Top RT2																		
CN	Width								Height									
	Masonry Opening		Rough Opening		Frame Size		Daylight Opening		Masonry Opening		Rough Opening		Frame Size		Springline Frame Size and RO		Daylight Opening	
	ft - in	(mm)	ft - in	(mm)	ft - in	(mm)	ft - in	(mm)	ft - in	(mm)	ft - in	(mm)	ft - in	(mm)	ft - in	(mm)	ft - in	(mm)
5010	5-0	(1524)	5-0	(1524)	4-11 1/2	(1511)	4-8 1/16	(1424)	3-5 1/2	(1054)	3-5 3/4	(1060)	3-5 1/4	(1048)	0-11 1/2	(292)	3-1 13/16	(960)
5016	5-0	(1524)	5-0	(1524)	4-11 1/2	(1511)	4-8 1/16	(1424)	3-11 1/2	(1207)	3-11 3/4	(1213)	3-11 1/4	(1200)	1-5 1/2	(445)	3-7 13/16	(1113)
5020	5-0	(1524)	5-0	(1524)	4-11 1/2	(1511)	4-8 1/16	(1424)	4-5 1/2	(1359)	4-5 3/4	(1365)	4-5 1/4	(1353)	1-11 1/2	(597)	4-1 13/16	(1265)
5026	5-0	(1524)	5-0	(1524)	4-11 1/2	(1511)	4-8 1/16	(1424)	4-11 1/2	(1511)	4-11 3/4	(1518)	4-11 1/4	(1505)	2-5 1/2	(749)	4-7 13/16	(1418)
5030	5-0	(1524)	5-0	(1524)	4-11 1/2	(1511)	4-8 1/16	(1424)	5-5 1/2	(1664)	5-5 3/4	(1670)	5-5 1/4	(1657)	2-11 1/2	(902)	5-1 13/16	(1570)
5036	5-0	(1524)	5-0	(1524)	4-11 1/2	(1511)	4-8 1/16	(1424)	5-11 1/2	(1816)	5-11 3/4	(1822)	5-11 1/4	(1810)	3-5 1/2	(1054)	5-7 13/16	(1722)
5040	5-0	(1524)	5-0	(1524)	4-11 1/2	(1511)	4-8 1/16	(1424)	6-5 1/2	(1969)	6-5 3/4	(1975)	6-5 1/4	(1962)	3-11 1/2	(1207)	6-1 13/16	(1875)
5046	5-0	(1524)	5-0	(1524)	4-11 1/2	(1511)	4-8 1/16	(1424)	6-11 1/2	(2121)	6-11 3/4	(2127)	6-11 1/4	(2115)	4-5 1/2	(1359)	6-7 13/16	(2027)
5410	5-4	(1626)	5-4	(1626)	5-3 1/2	(1613)	5-0 1/16	(1525)	3-7 1/2	(1105)	3-7 3/4	(1111)	3-7 1/4	(1099)	0-11 1/2	(292)	3-3 13/16	(1011)
5416	5-4	(1626)	5-4	(1626)	5-3 1/2	(1613)	5-0 1/16	(1525)	4-1 1/2	(1257)	4-1 3/4	(1264)	4-1 1/4	(1251)	1-5 1/2	(445)	3-9 13/16	(1164)
5420	5-4	(1626)	5-4	(1626)	5-3 1/2	(1613)	5-0 1/16	(1525)	4-7 1/2	(1410)	4-7 3/4	(1416)	4-7 1/4	(1403)	1-11 1/2	(597)	4-3 13/16	(1316)
5426	5-4	(1626)	5-4	(1626)	5-3 1/2	(1613)	5-0 1/16	(1525)	5-1 1/2	(1562)	5-1 3/4	(1568)	5-1 1/4	(1556)	2-5 1/2	(749)	4-9 13/16	(1468)
5430	5-4	(1626)	5-4	(1626)	5-3 1/2	(1613)	5-0 1/16	(1525)	5-7 1/2	(1715)	5-7 3/4	(1721)	5-7 1/4	(1708)	2-11 1/2	(902)	5-3 13/16	(1621)
5436	5-4	(1626)	5-4	(1626)	5-3 1/2	(1613)	5-0 1/16	(1525)	6-1 1/2	(1867)	6-1 3/4	(1873)	6-1 1/4	(1861)	3-5 1/2	(1054)	5-9 13/16	(1773)
5440	5-4	(1626)	5-4	(1626)	5-3 1/2	(1613)	5-0 1/16	(1525)	6-7 1/2	(2019)	6-7 3/4	(2026)	6-7 1/4	(2013)	3-11 1/2	(1207)	6-3 13/16	(1926)
6010	6-0	(1829)	6-0	(1829)	5-11 1/2	(1816)	5-8 1/16	(1729)	3-11 1/2	(1207)	3-11 3/4	(1213)	3-11 1/4	(1200)	0-11 1/2	(292)	3-7 13/16	(1113)
6016	6-0	(1829)	6-0	(1829)	5-11 1/2	(1816)	5-8 1/16	(1729)	4-5 1/2	(1359)	4-5 3/4	(1365)	4-5 1/4	(1353)	1-5 1/2	(445)	4-1 13/16	(1265)
6020	6-0	(1829)	6-0	(1829)	5-11 1/2	(1816)	5-8 1/16	(1729)	4-11 1/2	(1511)	4-11 3/4	(1518)	4-11 1/4	(1505)	1-11 1/2	(597)	4-7 13/16	(1418)
6026	6-0	(1829)	6-0	(1829)	5-11 1/2	(1816)	5-8 1/16	(1729)	5-5 1/2	(1664)	5-5 3/4	(1670)	5-5 1/4	(1657)	2-5 1/2	(749)	5-1 13/16	(1570)

For elevations, visit: <https://www.marvin.com/integrity/windows/all-ultrex-arched>

**Standard Sizes: RT6 - Eyebrow above Springline**

Essential Round Top RT6																
CN	Width								Height							
	Masonry Opening		Rough Opening		Frame Size		Frame Size Radius		Masonry Opening		Rough Opening		Frame Size		Frame Size Springline	
	ft - in	(mm)	ft - in	(mm)	ft - in	(mm)	ft - in	(mm)	ft - in	(mm)	ft - in	(mm)	ft - in	(mm)	ft - in	(mm)
2610	2-6	(762)	2-6	(762)	2-5 1/2	(749)	2-11 1/2	(902)	1-2 61/64	(380)	1-3 13/64	(386)	1-2 45/64	(374)	0-11 1/2	(292)
2616	2-6	(762)	2-6	(762)	2-5 1/2	(749)	2-11 1/2	(902)	1-8 61/64	(532)	1-9 13/64	(539)	1-8 45/64	(526)	1-5 1/2	(445)
2620	2-6	(762)	2-6	(762)	2-5 1/2	(749)	2-11 1/2	(902)	2-2 61/64	(685)	2-3 13/64	(691)	2-2 45/64	(678)	1-11 1/2	(597)
2626	2-6	(762)	2-6	(762)	2-5 1/2	(749)	2-11 1/2	(902)	2-8 61/64	(837)	2-9 13/64	(844)	2-8 45/64	(831)	2-5 1/2	(749)
2630	2-6	(762)	2-6	(762)	2-5 1/2	(749)	2-11 1/2	(902)	3-2 61/64	(990)	3-3 13/64	(996)	3-2 45/64	(983)	2-11 1/2	(902)
2636	2-6	(762)	2-6	(762)	2-5 1/2	(749)	2-11 1/2	(902)	3-8 61/64	(1142)	3-9 13/64	(1148)	3-8 45/64	(1136)	3-5 1/2	(1054)
2640	2-6	(762)	2-6	(762)	2-5 1/2	(749)	2-11 1/2	(902)	4-2 61/64	(1294)	4-3 13/64	(1301)	4-2 45/64	(1288)	3-11 1/2	(1207)
2646	2-6	(762)	2-6	(762)	2-5 1/2	(749)	2-11 1/2	(902)	4-8 61/64	(1447)	4-9 13/64	(1453)	4-8 45/64	(1440)	4-5 1/2	(1359)
2650	2-6	(762)	2-6	(762)	2-5 1/2	(749)	2-11 1/2	(902)	5-2 61/64	(1599)	5-3 13/64	(1606)	5-2 45/64	(1593)	4-11 1/2	(1511)
2656	2-6	(762)	2-6	(762)	2-5 1/2	(749)	2-11 1/2	(902)	5-8 61/64	(1752)	5-9 13/64	(1758)	5-8 45/64	(1745)	5-5 1/2	(1664)
2660	2-6	(762)	2-6	(762)	2-5 1/2	(749)	2-11 1/2	(902)	6-2 61/64	(1904)	6-3 13/64	(1910)	6-2 45/64	(1898)	5-11 1/2	(1816)
2810	2-8	(813)	2-8	(813)	2-7 1/2	(800)	2-11 1/2	(902)	1-3 7/16	(392)	1-3 11/16	(398)	1-3 3/16	(386)	0-11 1/2	(292)
2816	2-8	(813)	2-8	(813)	2-7 1/2	(800)	2-11 1/2	(902)	1-9 7/16	(544)	1-9 11/16	(551)	1-9 3/16	(538)	1-5 1/2	(445)
2820	2-8	(813)	2-8	(813)	2-7 1/2	(800)	2-11 1/2	(902)	2-3 7/16	(697)	2-3 11/16	(703)	2-3 3/16	(690)	1-11 1/2	(597)
2826	2-8	(813)	2-8	(813)	2-7 1/2	(800)	2-11 1/2	(902)	2-9 7/16	(849)	2-9 11/16	(856)	2-9 3/16	(843)	2-5 1/2	(749)
2830	2-8	(813)	2-8	(813)	2-7 1/2	(800)	2-11 1/2	(902)	3-3 7/16	(1002)	3-3 11/16	(1008)	3-3 3/16	(995)	2-11 1/2	(902)
2836	2-8	(813)	2-8	(813)	2-7 1/2	(800)	2-11 1/2	(902)	3-9 7/16	(1154)	3-9 11/16	(1160)	3-9 3/16	(1148)	3-5 1/2	(1054)
2840	2-8	(813)	2-8	(813)	2-7 1/2	(800)	2-11 1/2	(902)	4-3 7/16	(1306)	4-3 11/16	(1313)	4-3 3/16	(1300)	3-11 1/2	(1207)
2846	2-8	(813)	2-8	(813)	2-7 1/2	(800)	2-11 1/2	(902)	4-9 7/16	(1459)	4-9 11/16	(1465)	4-9 3/16	(1452)	4-5 1/2	(1359)
2850	2-8	(813)	2-8	(813)	2-7 1/2	(800)	2-11 1/2	(902)	5-3 7/16	(1611)	5-3 11/16	(1618)	5-3 3/16	(1605)	4-11 1/2	(1511)
2856	2-8	(813)	2-8	(813)	2-7 1/2	(800)	2-11 1/2	(902)	5-9 7/16	(1764)	5-9 11/16	(1770)	5-9 3/16	(1757)	5-5 1/2	(1664)
2860	2-8	(813)	2-8	(813)	2-7 1/2	(800)	2-11 1/2	(902)	6-3 7/16	(1916)	6-3 11/16	(1922)	6-3 3/16	(1910)	5-11 1/2	(1816)
3010	3-0	(914)	3-0	(914)	2-11 1/2	(902)	2-11 1/2	(902)	1-4 1/2	(419)	1-4 3/4	(426)	1-4 1/4	(413)	0-11 1/2	(292)
3016	3-0	(914)	3-0	(914)	2-11 1/2	(902)	2-11 1/2	(902)	1-10 1/2	(572)	1-10 3/4	(578)	1-10 1/4	(565)	1-5 1/2	(445)
3020	3-0	(914)	3-0	(914)	2-11 1/2	(902)	2-11 1/2	(902)	2-4 1/2	(724)	2-4 3/4	(730)	2-4 1/4	(718)	1-11 1/2	(597)
3026	3-0	(914)	3-0	(914)	2-11 1/2	(902)	2-11 1/2	(902)	2-10 1/2	(876)	2-10 3/4	(883)	2-10 1/4	(870)	2-5 1/2	(749)
3030	3-0	(914)	3-0	(914)	2-11 1/2	(902)	2-11 1/2	(902)	3-4 1/2	(1029)	3-4 3/4	(1035)	3-4 1/4	(1023)	2-11 1/2	(902)
3036	3-0	(914)	3-0	(914)	2-11 1/2	(902)	2-11 1/2	(902)	3-10 1/2	(1181)	3-10 3/4	(1188)	3-10 1/4	(1175)	3-5 1/2	(1054)
3040	3-0	(914)	3-0	(914)	2-11 1/2	(902)	2-11 1/2	(902)	4-4 1/2	(1334)	4-4 3/4	(1340)	4-4 1/4	(1327)	3-11 1/2	(1207)
3046	3-0	(914)	3-0	(914)	2-11 1/2	(902)	2-11 1/2	(902)	4-10 1/2	(1486)	4-10 3/4	(1492)	4-10 1/4	(1480)	4-5 1/2	(1359)
3050	3-0	(914)	3-0	(914)	2-11 1/2	(902)	2-11 1/2	(902)	5-4 1/2	(1638)	5-4 3/4	(1645)	5-4 1/4	(1632)	4-11 1/2	(1511)
3056	3-0	(914)	3-0	(914)	2-11 1/2	(902)	2-11 1/2	(902)	5-10 1/2	(1791)	5-10 3/4	(1797)	5-10 1/4	(1785)	5-5 1/2	(1664)
3060	3-0	(914)	3-0	(914)	2-11 1/2	(902)	2-11 1/2	(902)	6-4 1/2	(1943)	6-4 3/4	(1950)	6-4 1/4	(1937)	5-11 1/2	(1816)
3610	3-6	(1067)	3-6	(1067)	3-5 1/2	(1054)	3-11 1/2	(1206)	1-4 33/64	(420)	1-4 49/64	(426)	1-4 17/64	(413)	0-11 1/2	(292)
3616	3-6	(1067)	3-6	(1067)	3-5 1/2	(1054)	3-11 1/2	(1206)	1-10 33/64	(572)	1-10 49/64	(578)	1-10 17/64	(566)	1-5 1/2	(445)
3620	3-6	(1067)	3-6	(1067)	3-5 1/2	(1054)	3-11 1/2	(1206)	2-4 33/64	(724)	2-4 49/64	(731)	2-4 17/64	(718)	1-11 1/2	(597)
3626	3-6	(1067)	3-6	(1067)	3-5 1/2	(1054)	3-11 1/2	(1206)	2-10 33/64	(877)	2-10 49/64	(883)	2-10 17/64	(871)	2-5 1/2	(749)
3630	3-6	(1067)	3-6	(1067)	3-5 1/2	(1054)	3-11 1/2	(1206)	3-4 33/64	(1029)	3-4 49/64	(1036)	3-4 17/64	(1023)	2-11 1/2	(902)
3636	3-6	(1067)	3-6	(1067)	3-5 1/2	(1054)	3-11 1/2	(1206)	3-10 33/64	(1182)	3-10 49/64	(1188)	3-10 17/64	(1175)	3-5 1/2	(1054)
3640	3-6	(1067)	3-6	(1067)	3-5 1/2	(1054)	3-11 1/2	(1206)	4-4 33/64	(1334)	4-4 49/64	(1340)	4-4 17/64	(1328)	3-11 1/2	(1207)
3646	3-6	(1067)	3-6	(1067)	3-5 1/2	(1054)	3-11 1/2	(1206)	4-10 33/64	(1486)	4-10 49/64	(1493)	4-10 17/64	(1480)	4-5 1/2	(1359)
3650	3-6	(1067)	3-6	(1067)	3-5 1/2	(1054)	3-11 1/2	(1206)	5-4 33/64	(1639)	5-4 49/64	(1645)	5-4 17/64	(1633)	4-11 1/2	(1511)
3656	3-6	(1067)	3-6	(1067)	3-5 1/2	(1054)	3-11 1/2	(1206)	5-10 33/64	(1791)	5-10 49/64	(1798)	5-10 17/64	(1785)	5-5 1/2	(1664)

For elevations, visit: <https://www.marvin.com/integrity/windows/all-ultrex-arched>



Standard Sizes: RT6 - Eyebrow above Springline

Essential Round Top RT6																
CN	Width								Height							
	Masonry Opening		Rough Opening		Frame Size		Frame Size Radius		Masonry Opening		Rough Opening		Frame Size		Frame Size Springline	
	ft - in	(mm)	ft - in	(mm)	ft - in	(mm)	ft - in	(mm)	ft - in	(mm)	ft - in	(mm)	ft - in	(mm)	ft - in	(mm)
4010	4-0	(1219)	4-0	(1219)	3-11 1/2	(1207)	3-11 1/2	(1206)	1-6 7/64	(460)	1-6 23/64	(466)	1-5 55/64	(454)	0-11 1/2	(292)
4016	4-0	(1219)	4-0	(1219)	3-11 1/2	(1207)	3-11 1/2	(1206)	2-0 7/64	(612)	2-0 23/64	(619)	1-11 55/64	(606)	1-5 1/2	(445)
4020	4-0	(1219)	4-0	(1219)	3-11 1/2	(1207)	3-11 1/2	(1206)	2-6 7/64	(765)	2-6 23/64	(771)	2-5 55/64	(759)	1-11 1/2	(597)
4026	4-0	(1219)	4-0	(1219)	3-11 1/2	(1207)	3-11 1/2	(1206)	3-0 7/64	(917)	3-0 23/64	(924)	2-11 55/64	(911)	2-5 1/2	(749)
4030	4-0	(1219)	4-0	(1219)	3-11 1/2	(1207)	3-11 1/2	(1206)	3-6 7/64	(1070)	3-6 23/64	(1076)	3-5 55/64	(1063)	2-11 1/2	(902)
4036	4-0	(1219)	4-0	(1219)	3-11 1/2	(1207)	3-11 1/2	(1206)	4-0 7/64	(1222)	4-0 23/64	(1228)	3-11 55/64	(1216)	3-5 1/2	(1054)
4040	4-0	(1219)	4-0	(1219)	3-11 1/2	(1207)	3-11 1/2	(1206)	4-6 7/64	(1374)	4-6 23/64	(1381)	4-5 55/64	(1368)	3-11 1/2	(1207)
4046	4-0	(1219)	4-0	(1219)	3-11 1/2	(1207)	3-11 1/2	(1206)	5-0 7/64	(1527)	5-0 23/64	(1533)	4-11 55/64	(1521)	4-5 1/2	(1359)
4050	4-0	(1219)	4-0	(1219)	3-11 1/2	(1207)	3-11 1/2	(1206)	5-6 7/64	(1679)	5-6 23/64	(1686)	5-5 55/64	(1673)	4-11 1/2	(1511)
4056	4-0	(1219)	4-0	(1219)	3-11 1/2	(1207)	3-11 1/2	(1206)	6-0 7/64	(1832)	6-0 23/64	(1838)	5-11 55/64	(1825)	5-5 1/2	(1664)
4060	4-0	(1219)	4-0	(1219)	3-11 1/2	(1207)	3-11 1/2	(1206)	6-6 7/64	(1984)	6-6 23/64	(1990)	6-5 55/64	(1978)	5-11 1/2	(1816)
5010	5-0	(1524)	5-0	(1524)	4-11 1/2	(1511)	4-11 1/2	(1511)	1-7 23/32	(501)	1-7 31/32	(507)	1-7 15/32	(495)	0-11 1/2	(292)
5016	5-0	(1524)	5-0	(1524)	4-11 1/2	(1511)	4-11 1/2	(1511)	2-1 23/32	(653)	2-1 31/32	(660)	2-1 15/32	(647)	1-5 1/2	(445)
5020	5-0	(1524)	5-0	(1524)	4-11 1/2	(1511)	4-11 1/2	(1511)	2-7 23/32	(806)	2-7 31/32	(812)	2-7 15/32	(799)	1-11 1/2	(597)
5026	5-0	(1524)	5-0	(1524)	4-11 1/2	(1511)	4-11 1/2	(1511)	3-1 23/32	(958)	3-1 31/32	(964)	3-1 15/32	(952)	2-5 1/2	(749)
5030	5-0	(1524)	5-0	(1524)	4-11 1/2	(1511)	4-11 1/2	(1511)	3-7 23/32	(1111)	3-7 31/32	(1117)	3-7 15/32	(1104)	2-11 1/2	(902)
5036	5-0	(1524)	5-0	(1524)	4-11 1/2	(1511)	4-11 1/2	(1511)	4-1 23/32	(1263)	4-1 31/32	(1269)	4-1 15/32	(1257)	3-5 1/2	(1054)
5040	5-0	(1524)	5-0	(1524)	4-11 1/2	(1511)	4-11 1/2	(1511)	4-7 23/32	(1415)	4-7 31/32	(1422)	4-7 15/32	(1409)	3-11 1/2	(1207)
5046	5-0	(1524)	5-0	(1524)	4-11 1/2	(1511)	4-11 1/2	(1511)	5-1 23/32	(1568)	5-1 31/32	(1574)	5-1 15/32	(1561)	4-5 1/2	(1359)
5050	5-0	(1524)	5-0	(1524)	4-11 1/2	(1511)	4-11 1/2	(1511)	5-7 23/32	(1720)	5-7 31/32	(1726)	5-7 15/32	(1714)	4-11 1/2	(1511)
5056	5-0	(1524)	5-0	(1524)	4-11 1/2	(1511)	4-11 1/2	(1511)	6-1 23/32	(1873)	6-1 31/32	(1879)	6-1 15/32	(1866)	5-5 1/2	(1664)
5060	5-0	(1524)	5-0	(1524)	4-11 1/2	(1511)	4-11 1/2	(1511)	6-7 23/32	(2025)	6-7 31/32	(2031)	6-7 15/32	(2019)	5-11 1/2	(1816)
5410	5-4	(1626)	5-4	(1626)	5-3 1/2	(1613)	5-11 1/2	(1816)	1-7 3/16	(487)	1-7 7/16	(494)	1-6 15/16	(481)	0-11 1/2	(292)
5416	5-4	(1626)	5-4	(1626)	5-3 1/2	(1613)	5-11 1/2	(1816)	2-1 3/16	(640)	2-1 7/16	(646)	2-0 15/16	(633)	1-5 1/2	(445)
5420	5-4	(1626)	5-4	(1626)	5-3 1/2	(1613)	5-11 1/2	(1816)	2-7 3/16	(792)	2-7 7/16	(798)	2-6 15/16	(786)	1-11 1/2	(597)
5426	5-4	(1626)	5-4	(1626)	5-3 1/2	(1613)	5-11 1/2	(1816)	3-1 3/16	(945)	3-1 7/16	(951)	3-0 15/16	(938)	2-5 1/2	(749)
5430	5-4	(1626)	5-4	(1626)	5-3 1/2	(1613)	5-11 1/2	(1816)	3-7 3/16	(1097)	3-7 7/16	(1103)	3-6 15/16	(1091)	2-11 1/2	(902)
5436	5-4	(1626)	5-4	(1626)	5-3 1/2	(1613)	5-11 1/2	(1816)	4-1 3/16	(1249)	4-1 7/16	(1256)	4-0 15/16	(1243)	3-5 1/2	(1054)
5440	5-4	(1626)	5-4	(1626)	5-3 1/2	(1613)	5-11 1/2	(1816)	4-7 3/16	(1402)	4-7 7/16	(1408)	4-6 15/16	(1395)	3-11 1/2	(1207)
5446	5-4	(1626)	5-4	(1626)	5-3 1/2	(1613)	5-11 1/2	(1816)	5-1 3/16	(1554)	5-1 7/16	(1560)	5-0 15/16	(1548)	4-5 1/2	(1359)
5450	5-4	(1626)	5-4	(1626)	5-3 1/2	(1613)	5-11 1/2	(1816)	5-7 3/16	(1707)	5-7 7/16	(1713)	5-6 15/16	(1700)	4-11 1/2	(1511)
5456	5-4	(1626)	5-4	(1626)	5-3 1/2	(1613)	5-11 1/2	(1816)	6-1 3/16	(1859)	6-1 7/16	(1865)	6-0 15/16	(1853)	5-5 1/2	(1664)
5460	5-4	(1626)	5-4	(1626)	5-3 1/2	(1613)	5-11 1/2	(1816)	6-7 3/16	(2011)	6-7 7/16	(2018)	6-6 15/16	(2005)	5-11 1/2	(1816)
6010	6-0	(1829)	6-0	(1829)	5-11 1/2	(1816)	5-11 1/2	(1816)	1-9 21/64	(542)	1-9 37/64	(548)	1-9 5/64	(535)	0-11 1/2	(292)
6016	6-0	(1829)	6-0	(1829)	5-11 1/2	(1816)	5-11 1/2	(1816)	2-3 21/64	(694)	2-3 37/64	(701)	2-3 5/64	(688)	1-5 1/2	(445)
6020	6-0	(1829)	6-0	(1829)	5-11 1/2	(1816)	5-11 1/2	(1816)	2-9 21/64	(847)	2-9 37/64	(853)	2-9 5/64	(840)	1-11 1/2	(597)
6026	6-0	(1829)	6-0	(1829)	5-11 1/2	(1816)	5-11 1/2	(1816)	3-3 21/64	(999)	3-3 37/64	(1005)	3-3 5/64	(993)	2-5 1/2	(749)
6030	6-0	(1829)	6-0	(1829)	5-11 1/2	(1816)	5-11 1/2	(1816)	3-9 21/64	(1151)	3-9 37/64	(1158)	3-9 5/64	(1145)	2-11 1/2	(902)
6036	6-0	(1829)	6-0	(1829)	5-11 1/2	(1816)	5-11 1/2	(1816)	4-3 21/64	(1304)	4-3 37/64	(1310)	4-3 5/64	(1297)	3-5 1/2	(1054)
6040	6-0	(1829)	6-0	(1829)	5-11 1/2	(1816)	5-11 1/2	(1816)	4-9 21/64	(1456)	4-9 37/64	(1463)	4-9 5/64	(1450)	3-11 1/2	(1207)
6046	6-0	(1829)	6-0	(1829)	5-11 1/2	(1816)	5-11 1/2	(1816)	5-3 21/64	(1609)	5-3 37/64	(1615)	5-3 5/64	(1602)	4-5 1/2	(1359)
6050	6-0	(1829)	6-0	(1829)	5-11 1/2	(1816)	5-11 1/2	(1816)	5-9 21/64	(1761)	5-9 37/64	(1767)	5-9 5/64	(1755)	4-11 1/2	(1511)

For elevations, visit: <https://www.marvin.com/integrity/windows/all-ultrex-arched>

**Standard Sizes: RT6 - Eyebrow above Springline**

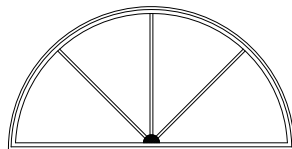
Essential Round Top RT6																
CN	Width								Height							
	Masonry Opening		Rough Opening		Frame Size		Frame Size Radius		Masonry Opening		Rough Opening		Frame Size		Frame Size Springline	
	ft - in	(mm)	ft - in	(mm)	ft - in	(mm)	ft - in	(mm)	ft - in	(mm)	ft - in	(mm)	ft - in	(mm)	ft - in	(mm)
7010	7-0	(2134)	7-0	(2134)	6-11 1/2	(2121)	7-11 1/2	(2426)	1-9 23/64	(543)	1-9 39/64	(549)	1-9 7/64	(536)	0-11 1/2	(292)
7016	7-0	(2134)	7-0	(2134)	6-11 1/2	(2121)	7-11 1/2	(2426)	2-3 23/64	(695)	2-3 39/64	(701)	2-3 7/64	(689)	1-5 1/2	(445)
7020	7-0	(2134)	7-0	(2134)	6-11 1/2	(2121)	7-11 1/2	(2426)	2-9 23/64	(847)	2-9 39/64	(854)	2-9 7/64	(841)	1-11 1/2	(597)
7026	7-0	(2134)	7-0	(2134)	6-11 1/2	(2121)	7-11 1/2	(2426)	3-3 23/64	(1000)	3-3 39/64	(1006)	3-3 7/64	(993)	2-5 1/2	(749)
7030	7-0	(2134)	7-0	(2134)	6-11 1/2	(2121)	7-11 1/2	(2426)	3-9 23/64	(1152)	3-9 39/64	(1158)	3-9 7/64	(1146)	2-11 1/2	(902)
7036	7-0	(2134)	7-0	(2134)	6-11 1/2	(2121)	7-11 1/2	(2426)	4-3 23/64	(1305)	4-3 39/64	(1311)	4-3 7/64	(1298)	3-5 1/2	(1054)
7040	7-0	(2134)	7-0	(2134)	6-11 1/2	(2121)	7-11 1/2	(2426)	4-9 23/64	(1457)	4-9 39/64	(1463)	4-9 7/64	(1451)	3-11 1/2	(1207)
8010	8-0	(2438)	8-0	(2438)	7-11 1/2	(2426)	7-11 1/2	(2426)	2-0 35/64	(623)	2-0 51/64	(630)	2-0 19/64	(617)	0-11 1/2	(292)
8016	8-0	(2438)	8-0	(2438)	7-11 1/2	(2426)	7-11 1/2	(2426)	2-6 35/64	(776)	2-6 51/64	(782)	2-6 19/64	(769)	1-5 1/2	(445)
8020	8-0	(2438)	8-0	(2438)	7-11 1/2	(2426)	7-11 1/2	(2426)	3-0 51/64	(928)	3-0 51/64	(935)	3-0 19/64	(922)	1-11 1/2	(597)
8026	8-0	(2438)	8-0	(2438)	7-11 1/2	(2426)	7-11 1/2	(2426)	3-6 35/64	(1081)	3-6 51/64	(1087)	3-6 19/64	(1074)	2-5 1/2	(749)
8030	8-0	(2438)	8-0	(2438)	7-11 1/2	(2426)	7-11 1/2	(2426)	4-0 35/64	(1233)	4-0 51/64	(1239)	4-0 19/64	(1227)	2-11 1/2	(902)

For elevations, visit: <https://www.marvin.com/integrity/windows/all-ultrex-arched>

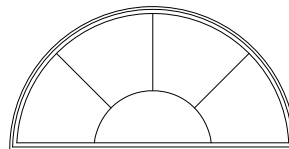
**Standard Divided Lite Options**

**True Half (RT1)**

CN	GBG	
Round Top - True Half (RT1) per unit - Sunburst Lite Cut		
ESDGRT 2613	Solid Hub 3 Spokes	Open Hub 3 Spokes/5 Lites
ESDGRT 2814	Solid Hub 3 Spokes	Open Hub 3 Spokes/5 Lites
ESDGRT 3016	Solid Hub 3 Spokes	Open Hub 3 Spokes/5 Lites
ESDGRT 3619	Solid Hub 3 Spokes	Open Hub 3 Spokes/5 Lites
ESDGRT 4020	Solid Hub 3 Spokes	Open Hub 3 Spokes/5 Lites
ESDGRT 5026	Solid Hub 3 Spokes	Open Hub 3 Spokes/5 Lites
ESDGRT 5428	Solid Hub 3 Spokes	Open Hub 3 Spokes/5 Lites
ESDGRT 6030	Solid Hub 3 Spokes	Open Hub 3 Spokes/5 Lites
ESDGRT 7036	Solid Hub 3 Spokes	Open Hub 3 Spokes/5 Lites
ESDGRT 8040	Solid Hub 3 Spokes	Open Hub 3 Spokes/5 Lites



ESDGRT -RT1  
Solid Hub  
With 3 Spokes  
4 Lites



ESDGRT -RT1  
Open Hub  
With 3 Spokes  
5 Lites

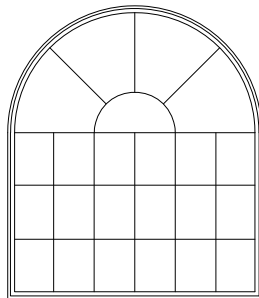
**Standard Divided Lite Options**

**True Half Above Springline (RT2)**

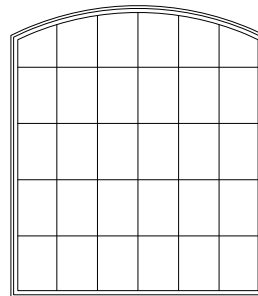
**Eyebrow Above Springline (RT6)**

True Half Above Springline (RT2) Rectangular GBG Default Patterns (rectangular cuts below open hub with 3 spoke Sunburst)								
CN Width	26	28	30	36	40	50	54	60
CN Height								
10	3W1H	3W1H	3W1H	4W1H	4W1H	5W1H	6W1H	7W1H
16	3W1H	3W1H	3W1H	4W1H	4W1H	5W1H	6W1H	7W1H
20	3W2H	3W2H	3W2H	4W2H	4W2H	5W2H	6W2H	7W2H
26	3W2H	3W2H	3W2H	4W2H	4W2H	5W2H	6W2H	7W2H
30	3W2H	3W2H	3W2H	4W2H	4W2H	5W2H	6W2H	
36	3W3H	3W3H	3W3H	4W3H	4W3H	5W3H	6W3H	
40	3W3H	3W3H	3W3H	4W3H	4W3H	5W3H	6W3H	
46	3W4H	3W4H	3W4H	4W4H	4W4H	5W4H		
50	3W4H	3W4H	3W4H	4W4H	4W4H			

Eyebrow Above the Springline (RT6) Rectangular GBG Default Pattern										
CN Width	26	28	30	36	40	50	54	60	70	80
CN Height										
10	3W1H	3W1H	3W1H	4W1H	4W1H	5W1H	6W1H	7W1H	8W1H	9W1H
16	3W2H	3W2H	3W2H	4W2H	4W2H	5W2H	6W2H	7W2H	8W2H	9W2H
20	3W2H	3W2H	3W2H	4W2H	4W2H	5W2H	6W2H	7W2H	8W2H	9W2H
26	3W2H	3W2H	3W2H	4W2H	4W2H	5W2H	6W2H	7W2H	8W2H	9W2H
30	3W3H	3W3H	3W3H	4W3H	4W3H	5W3H	6W3H	7W3H	8W3H	9W3H
36	3W3H	3W3H	3W3H	4W3H	4W3H	5W3H	6W3H	7W3H	8W3H	
40	3W4H	3W4H	3W4H	4W4H	4W4H	5W4H	6W4H	7W4H	8W4H	
46	3W4H	3W4H	3W4H	4W4H	4W4H	5W4H	6W4H	7W4H		
50	3W4H	3W4H	3W4H	4W4H	4W4H	5W4H	6W4H	7W4H		
56	3W5H	3W5H	3W5H	4W5H	4W5H	5W5H	6W5H			
60	3W5H	3W5H	3W5H	4W5H	4W5H	5W5H	6W5H			



ESDGRT - RT2

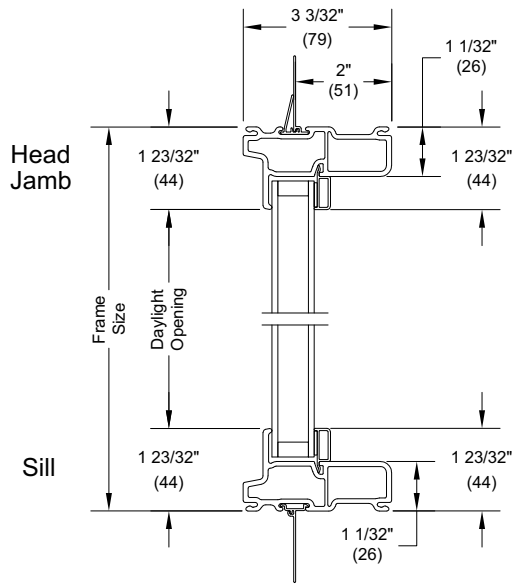


ESDGRT - RT6

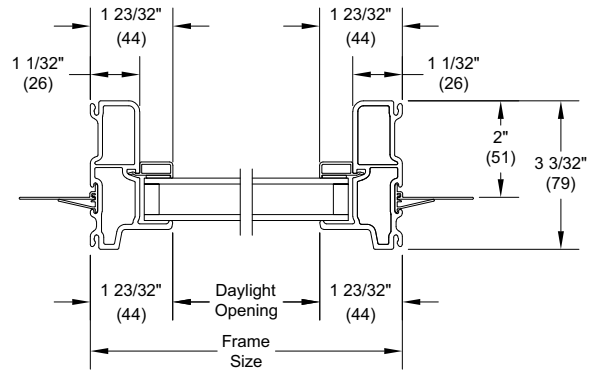
*NOTE: Divided Lites for special sizes will default to the next smaller standard size.*

**Section Details**

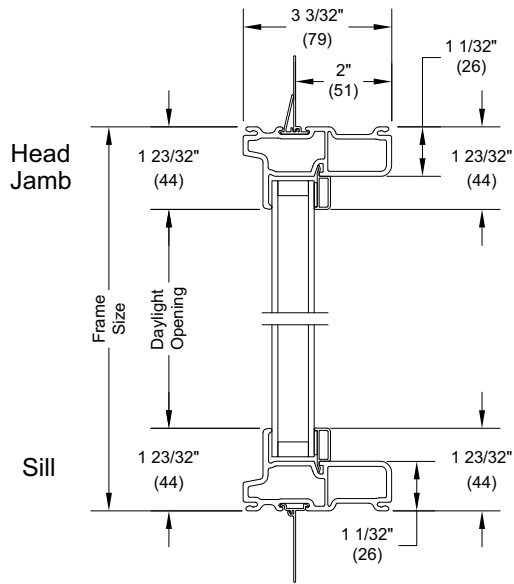
**True Half - RT1**



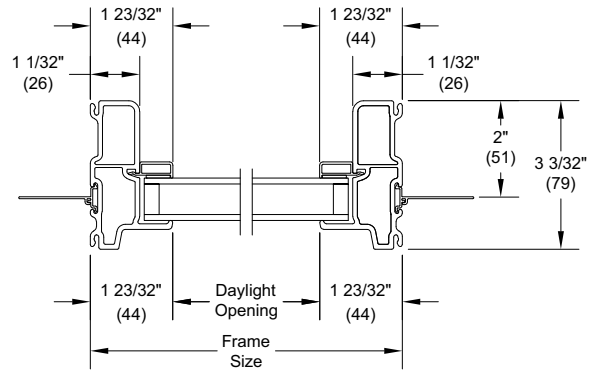
**Jambs**



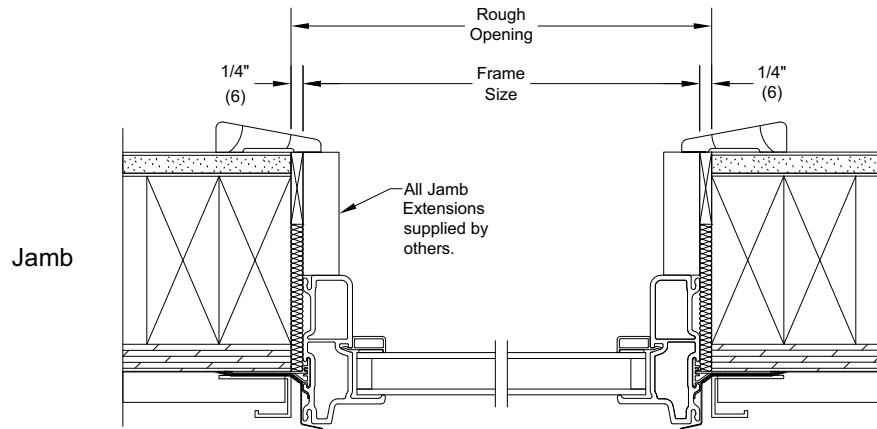
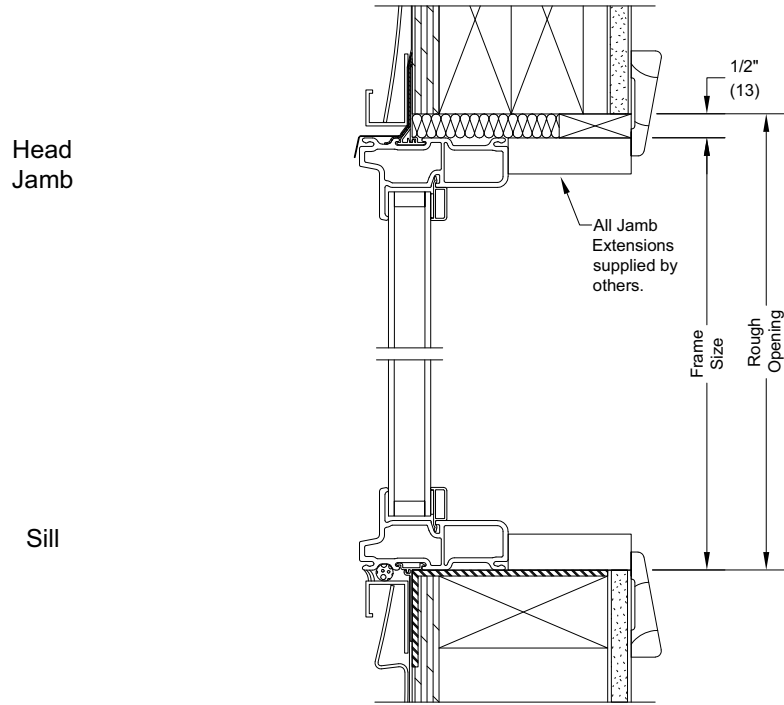
**True Half Above Springline - RT2  
Eyebrow Above Springline - RT6**



**Jambs**



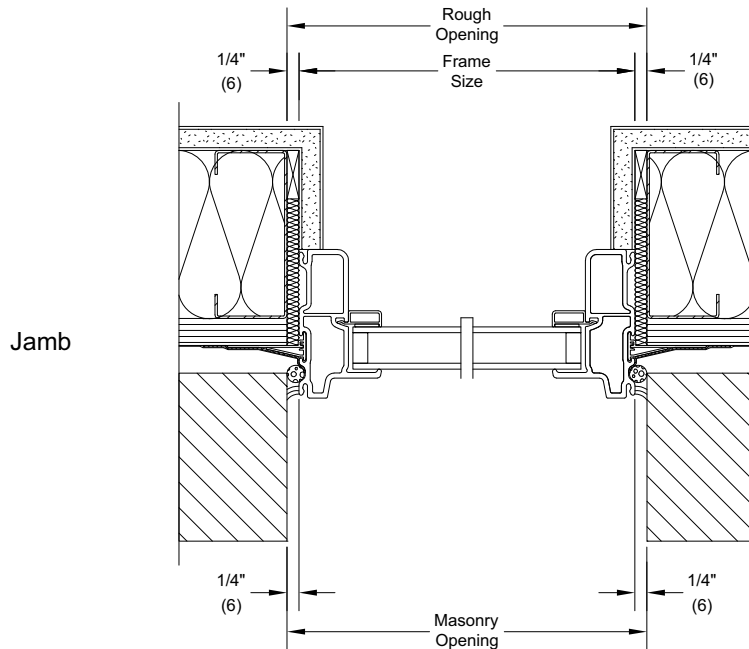
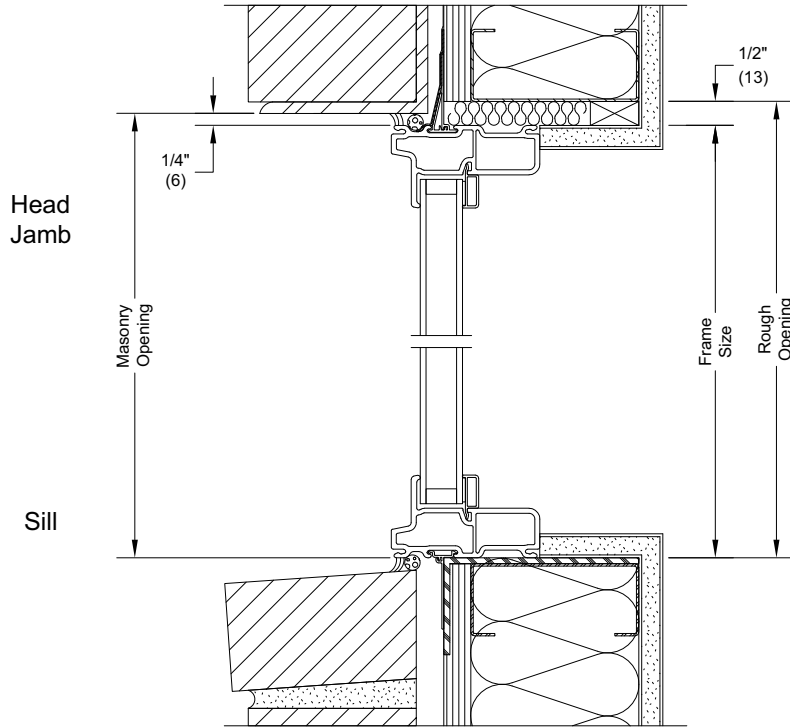
**Construction Details - Vinyl Siding with 2x4 Frame Construction**



**NOTES:**

- *The above wall sections represent typical wall conditions, these details are not intended as installation instructions.*
- *Please refer to the installation instructions provided with the purchased units.*

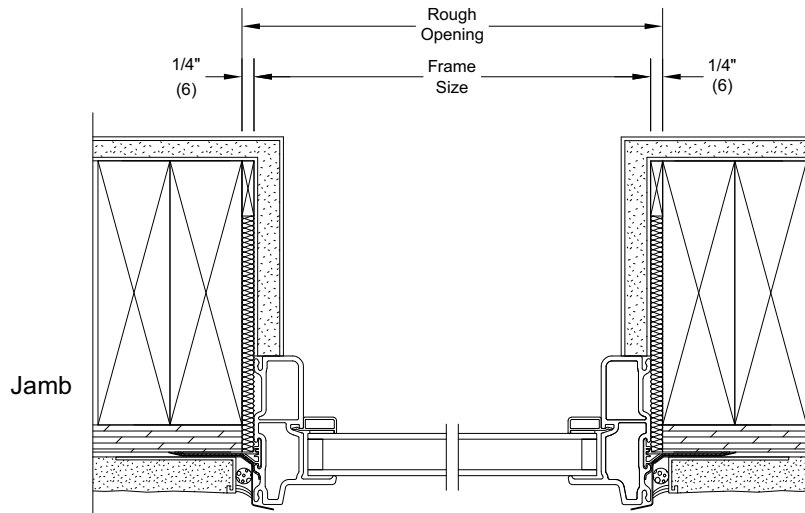
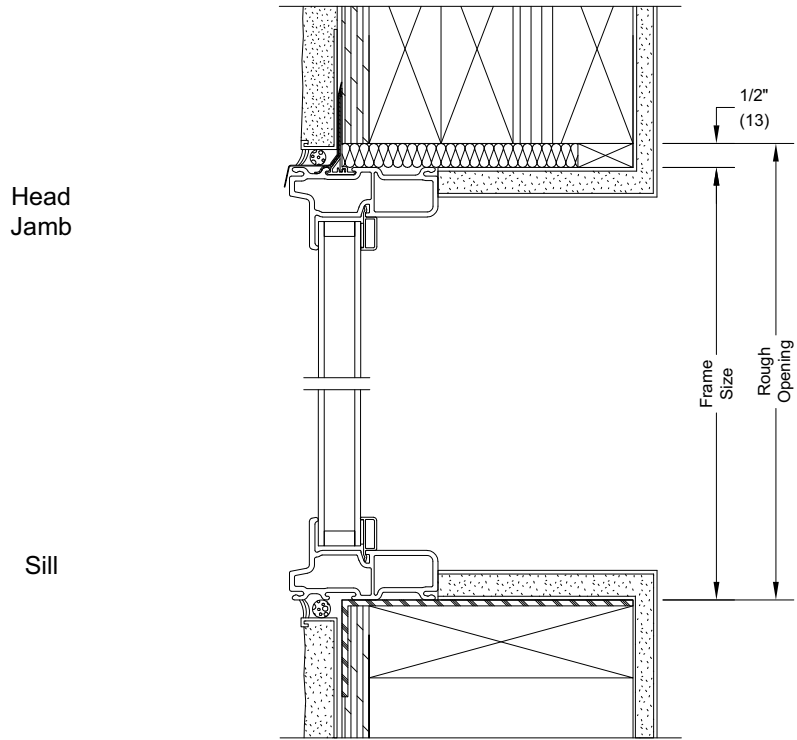
**Construction Details - Brick Veneer with Steel Frame Construction**



**NOTES:**

- The above wall sections represent typical wall conditions, these details are not intended as installation instructions.
- Please refer to the installation instructions provided with the purchased units.

**Construction Details - Stucco with 2x6 Frame Construction**



**NOTES:**

- *The above wall sections represent typical wall conditions, these details are not intended as installation instructions.*
- *Please refer to the installation instructions provided with the purchased units.*