

Modern Multi-Slide Door

Unit Features.....	1
Stacked Conversion Measurements (Width).....	6
Uni-Directional and Bi-Parting Pocket Measurement (Width) Conversions	12
Certified Sizes and Ratings.....	16
Minimum and Maximum Guidelines	20
Section Details: Uni-Directional Stacked (Dual Pane).....	22
Section Details: Center Stacked (Triple Pane).....	23
Operating Configurations: Uni-Directional Stacked.....	24
Operating Configurations: Bi-Parting and Center Stacked.....	25
Operating Configurations: Uni-Directional and Bi-Parting Pocket.....	26
Pocket Depth and Slot Depth.....	27
Sill Details: High Performance - Stacked Units	28
Section Details: Bi-Parting and Uni-Directional Stacked.....	29
Section Details: Uni-Directional Pocket.....	30
Section Details: Bi-Parting Pocket.....	31
Sill Details - Stacked and Pocket Units with Screen	32
Section Details: Uni-Directional and Bi-Parting Stacked with Screen	33
Section Details: Uni-Directional and Bi-Parting Pocket with Screen	34
Section Details: Uni-Directional and Bi-Parting Stacked with Sliding Door Automatic Control	35
Standard Divided Lite Option - Simulated Frame Divider.....	36
Divided Lite Options	37

Unit Features

Abbreviations

Modern Multi-Slide Door - MMSD

Modern Multi-Slide Door Pocket: MMSD PKT

Modern Multi-Slide Door Stacked: MMSD STK

- Stacked Configurations: All panels are contained within the frame. At least one panel is stationary with bi-parting doors having two stationary panels. When open, operating panels stack over the stationary panels.
- Pocket Configurations: All panels operate with at least one pocket. Bi-parting doors will have two pockets. When opened, all panels are concealed within the pocket.
- All door units are shipped knocked-down (KD).

Frame:

- Frame is constructed of High Density Fiberglass with interior aluminum covers.
- Frame is 1 1/2" (38) thick.
- Frame consists of jamb(s), head jamb, and sill tracks.
- 2" Vinyl Nailing Fin on Stacked Units.
- Interior Finishes: extruded aluminum with five standard colors in low gloss: Stone White, Ebony, Bronze, Gunmetal, Clear Anodized.
- Exterior Finishes: pultruded polyurethane with five standard colors: Stone White, Ebony, Bronze, Gunmetal, Silver

Sill:

- Sill material is High Density Fiberglass and is available in Bronze or Ebony. Aluminum sill liners and track covers are color matched to sill.
- Three sill options are available: Standard Flush Sill, Performance Sill, and High Performance Sill. All sill types require a pan to be installed on site and must equal the height of the interior sill liner.
- Flush Sill has interlocking tracks. Nominal sill height is 3/4" (19) and nominal width is 3 1/64" (77) for each sill track.
- High Performance Sill includes an exterior sill liner nosing. The sill has a nominal height of 2 7/16" (64) and a nominal width of 3 1/64" (77) for each sill track. An Ultrex sloped wedge with counter shims will be provided to allow for water drainage.
- Performance Sill includes a vertical sill liner. The sill has a nominal height of 1 13/16" (46) and nominal width is 3 1/64" (77) for each sill track.
- Sills include an exterior weep for water, weeps must remain clear and free of obstruction.

Panel:

- Stiles and Rails are High Density Fiberglass with interior aluminum.
- 2 1/4" (56) thick-nominal with corner key fastened corners.
- Stiles and Top Rail are 3 9/32" (83). Bottom Rail is 3 25/32 (96). Meeting stiles are 2 7/8" (73).
- Aluminum glazing cap and cover is applied to interior with a weather strip that seats against the glass.
- Interior Finishes: extruded aluminum with five standard colors in low gloss: Stone White, Ebony, Bronze, Gunmetal, Clear Anodized.
- Exterior Finishes: pultruded polyurethane with five standard colors: Stone White, Ebony, Bronze, Gunmetal, Silver

Hardware:

- Each operating panel includes composite quad rollers with a stainless steel case.
- Hardware colors: Satin Nickel, Matte Black, Matte Bronze, Silver, Stone White
- Handle set:
 - Interior Active recessed, mounted handle: Intuitive thumb latch that engage/disengage the multi-point locks of the panel. Also provides a recess finger pull area on the active panel, all handles are non-handed.
 - Interior Inactive flush mounted handle: Provides a recessed finger pull area on the inactive panel.
 - Exterior, recessed pull, non-keyed: Handles are non-handed and are keyed for exterior locking and unlocking. Provides a recess to push/pull the primary active and inactive panels to the open or closed position. Handles are non-handed (standard). Non-keyed, Keyed and Keyed alike are available.
 - Standard handle location is about 34 1/2" (876) from the bottom of the panel to the bottom of the trim set. The standard lower handle height is 22" lower, about 12 1/2" (317).
- Manual Flush Bolt: For bi-parting units only. At the top edge of the inactive panel, only accessible when the primary panel is open. The flush bolt secures into a strike mounted in the head jamb.
- Panel Edge Pull is a pivotal finger pull that provides a means to pull the panels from the pocket. Applied to the meeting stile edge of the active and inactive panel(s). Available on pocket units only.
- Panel Bumpers: Provides a method of opening multiple operating panels from the active panels.

Unit Features Continued**Glass and Glazing:**

- All glass is of select quality complying with commercial industry standards. Glass is IGCC certified.
- Preserve film applied on interior and exterior panes.
- Glazing seal: Black silicone beading, exterior
- Dual-pane insulating glass thickness: 15/16" (23) or 1 1/4" (32).
- Triple-pane insulating glass thickness: 1 1/4" (32).
- Insulating Glass Coatings: Low E1, Low E2, Low E3, Low ERS, Low ELR
- Gas Fill: Air, Argon
- Other Glass Types: Gray or Bronze Tint, Obscure, Frost
- Glass panes are based on overall unit size and may be 3.1, 3.9, 4.7, 5.7 and 8.0 mm thicknesses
- Low ELR units to 5.7mm sizes and below
- Tint limited to 5.7mm pane thickness and 15/16" glass make-up.
- Frost is limited to 5.7mm and 3.9mm pane thicknesses
- Obscure (Pattern 62) glass is limited to 4.7mm pane thickness and below
- Black Spacer Bar
 - Black Stainless Steel Spacer

Weather Strip:

- All weather strip will be black.
- All units are constructed with vinyl weather strip at the panel perimeter and interlocks. Weather Strip exposed to the exterior is UV resistant material.

Interior Screen:

- Scenic Door Ultimate Sliding Screen
 - Screen Frame color:
 - Stone White, Bronze, Ebony, Gunmetal, Clear Anodized
 - Options: Screen sill will default to the screen color, but screen may vary.
 - Handle Pull colors: Black and White
- Screen mesh: Vinyl-coated polyester
 - Color: Black
- Uni-Directional Screen:
 - Open from left to right or right to left
 - Maximum Screen Frame OM Width is 181 9/16" (4611)
 - Not available on Bi-Parting door
- Bi-Parting Screen:
 - Two screens open from each side and meet together
 - Screen pull bar meeting location will be preset based on door configuration
 - Maximum Screen Frame OM Width is 354 13/16" (9012)
 - Daylight Opening will be affected by the screen on odd-panel configurations above these frame widths
 - 3-panel configurations (OX-O, O-XO; OOX,XOO): 260 15/32"
 - 5-panel configurations (OX-XOO, OOX-XO): 289"
- Maximum Screen OM Height for all configurations is 125 5/32" (3179)

Unit Features Continued

Automation (Optional):

- Sliding Door Automatic Control (SDAC) provides motorized panel operation on Marvin's Modern Multi-Slide Door. Refer to Site Prep Guide for requirements.
- Home Automation Connectivity is included. It allows easy integration with home automation systems.
- Marvin Control Module: allows cloud control and door monitoring through the Marvin Home app.
- Wall Switch
 - Interior Wall Switch is wired. For wired switch, check with local codes on potential contractor requirements for low voltage networking connections.
 - Interior: 12-in-1 touch screen with programmable background colors
 - Exterior: Wired wall switch with numeric keypad available in Black or White
 - Wired exterior motion sensor will be placed in the head jamb cover adjacent to the primary panel, centered over the primary panel on a unidirectional door or centered over the meeting stiles on a bi-parting door.
 - Optional: wired interior motion sensor
- Motor Location
 - Uni-directional Units - Locking Jamb side
 - Bi-parting Units - Left or Right Hand (from exterior)

Lock Status Sensor (Optional):

- Refer to **Lock Status Sensor Installation Instructions** for requirements.
- To achieve a closed and locked status, the Lock Status Sensor requires that the door must be closed to depress the anti-slam mechanism so that the door can be manually locked. It allows easy integration with home automation systems using a wireless connection.
 - Requires purchase of secondary transmitter for operation. Marvin will prep for this option. Wired connection not available.
- Wireless Lock Status Sensor is located within the operating panel.
- Sensor Location will always be routed into the door stile, under the lock bar.

Operations

- Door handing is viewed from exterior.
 - P = Pocket
 - X = Operating
 - O = Stationary
 - L = Left handed Bi-Parting unit
 - R = Right handed Bi-Parting unit
 - = Opening in the unit
 - / = Divides a mirrored pair of configurations

Configurations:

- Maximum of 6 panels for Uni-Directional.
- Maximum of 10 panels for Bi-Parting units.
- Maximum of 4 panels for Center Stacked units.

Unit Features Continued**Uni-Directional Stacked:**

- 2 panel door unit OX / XO
- 3 panel door unit OXX / XXO, OOX / XOO
- 4 panel door unit OXXX / XXXO, OOOX / XOOO
- 5 panel door unit OXXXX / XXXXO
- 6 panel door unit OXXXXX / XXXXXO

Bi-Parting Stacked:

- 3 panel door unit OX-O / O-XO
- 4 panel door unit OX-XO L or R
- 5 panel door unit OX-XOO L or R / OOX-XO L or R
- 6 panel door unit OXX-XXO L or R
- 8 panel door unit OXXX-XXXO L or R
- 10 panel door unit OXXXX-XXXXO L or R

Center-Stacked:

- 3 panel door unit XOX
- 4 panel door unit XOOX

Uni-Directional Pocket:

- 1 panel door unit PX / XP*
- 2 panel door unit PXX / XXP
- 3 panel door unit PXXX / XXXP
- 4 panel door unit PXXXX / XXXXP
- 5 panel door unit PXXXXX / XXXXXP
- 6 panel door unit PXXXXXX / XXXXXXP

Bi-Parting Pocket:

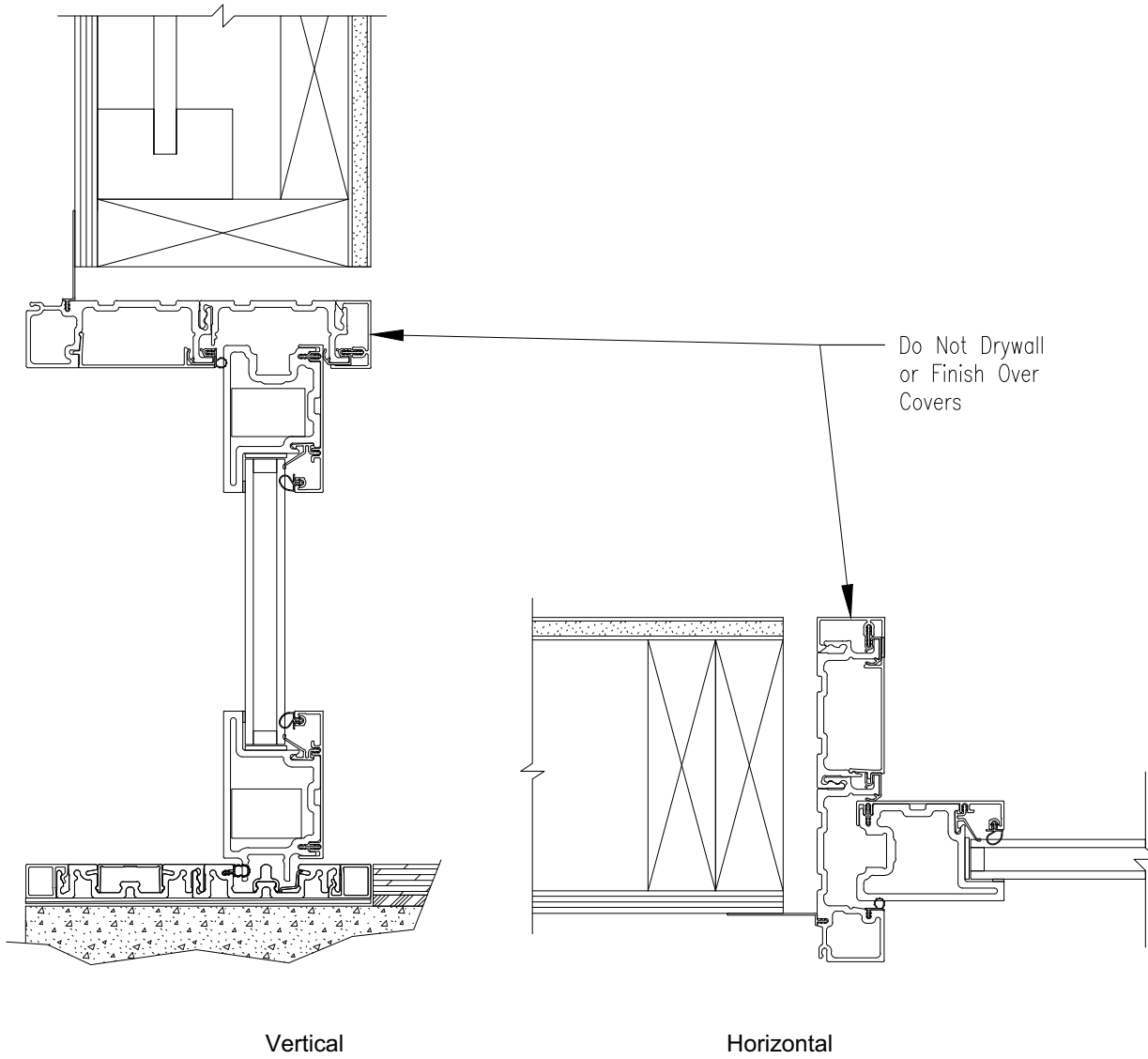
- 2 panel door unit PX-XP L or R*
- 4 panel door unit PXX-XXP L or R
- 6 panel door unit PXXX-XXXP L or R
- 8 panel door unit PXXXX-XXXXP L or R
- 10 panel door unit PXXXXX-XXXXXP L or R

* This configuration is not available with the Performance Sill due to the inability to install the panel from the interior.

Unit Features Continued

Installation

- Do not drywall/finish over interior covers so they can be removed if service is needed.



Stacked Conversion Measurements (Width)

Configuration	Unit Measurements		Width			
	From	To	Panels	in	mm	Panels
Uni-Directional & Bi-Parting Stacked	Rough Opening					
	Frame OM	Rough Opening		+ 1 1/2	(38)	
	Masonry Opening	Rough Opening		+ 1	(25)	
	Glass					
	Daylight Opening	Glass		+ 1 31/64	(38)	
	Screen					
	Frame OM	Screen OM		+ 5 17/64	(134)	
	Screen OM	Screen IM		- 8 17/64	(210)	
	Screen OM	Screen RO		+ 1	(25)	

Configuration	Unit Measurements		Width			
	From	To	Panels	in	mm	Panels
OX or XO	Primary, Stationary Panel					
	Frame OM	Panel OM		+ 1 7/64	(28)	+ 2
	Daylight Opening	Panel OM		+ 6 1/8	(156)	
	Panel OM	Net Clear Opening		- 4 15/64	(107)	

Configuration	Unit Measurements		Width			
	From	To	Panels	in	mm	Panels
OXX or XXO	Primary, Stationary Panel					
	Frame OM	Panel OM		+ 4 3/8	(111)	+ 3
	Daylight Opening	Panel OM		+ 6 1/8	(156)	
	Panel OM	Net Clear Opening	x 2	- 8 1/64	(204)	
	Intermediate Panel					
	Frame OM	Panel OM		+ 3 9/64	(80)	+ 3
	Daylight Opening	Panel OM		+ 5 23/32	(145)	

Configuration	Unit Measurements		Width			
	From	To	Panels	in	mm	Panels
OXXX or XXXO	Primary, Stationary Panel					
	Frame OM	Panel OM		+ 7 21/32	(194)	+ 4
	Daylight Opening	Panel OM		+ 6 1/8	(156)	
	Panel OM	Net Clear Opening	x 3	- 11 9/32	(287)	
	Intermediate Panel					
	Frame OM	Panel OM		+ 6	(153)	+ 4
	Daylight Opening	Panel OM		+ 5 23/32	(145)	

Configuration	Unit Measurements		Width			
	From	To	Panels	in	mm	Panels
OXXXX or XXXXO	Primary, Stationary Panel					
	Frame OM	Panel OM		+ 10 59/64	(277)	+ 5
	Daylight Opening	Panel OM		+ 6 1/8	(156)	
	Panel OM	Net Clear Opening	x 4	- 14 35/64	(370)	
	Intermediate Panel					
	Frame OM	Panel OM		+ 8 7/8	(225)	+ 5
	Daylight Opening	Panel OM		+ 5 23/32	(145)	

Stacked Conversion Measurements (Width)

Configuration	Unit Measurements		Width			
	From	To	Panels	in	mm	Panels
OXXXXX or XXXXXO	Primary, Stationary Panel					
	Frame OM	Panel OM		+ 14 3/16	(361)	÷ 6
	Daylight Opening	Panel OM		+ 6 1/8	(156)	
	Panel OM	Net Clear Opening	x 5	- 17 53/64	(453)	
	Intermediate Panel					
	Frame OM	Panel OM		+ 11 47/64	(298)	÷ 6
	Daylight Opening	Panel OM		+ 5 23/32	(145)	

Configuration	Unit Measurements		Width			
	From	To	Panels	in	mm	Panels
OX-XO	Primary Active, Inactive, Stationary Panel					
	Frame OM	Panel OM		+ 3 27/32	(98)	÷ 4
	Daylight Opening	Panel OM		+ 6 1/8	(156)	
	Panel OM	Net Clear Opening	x 2	- 7 13/16	(198)	

Configuration	Unit Measurements		Width			
	From	To	Panels	in	mm	Panels
OXX-XXO	Primary Active, Inactive, Stationary Panel					
	Frame OM	Panel OM		+ 10 25/64	(264)	÷ 6
	Daylight Opening	Panel OM		+ 6 1/8	(156)	
	Panel OM	Net Clear Opening	x 4	- 15 23/64	(390)	
	Intermediate Panel					
	Frame OM	Panel OM		+ 8 3/64	(204)	÷ 6
Daylight Opening	Panel OM		+ 5 23/32	(145)		

Configuration	Unit Measurements		Width			
	From	To	Panels	in	mm	Panels
OXXX-XXXO	Primary Active, Inactive, Stationary Panel					
	Frame OM	Panel OM		+ 16 15/16	(430)	÷ 8
	Daylight Opening	Panel OM		+ 6 1/8	(156)	
	Panel OM	Net Clear Opening	x 6	- 21 29/32	(556)	
	Intermediate Panel					
	Frame OM	Panel OM		+ 13 49/64	(350)	÷ 8
Daylight Opening	Panel OM		+ 5 23/32	(145)		

Configuration	Unit Measurements		Width			
	From	To	Panels	in	mm	Panels
OXXXX-XXXXO	Primary Active, Inactive, Stationary Panel					
	Frame OM	Panel OM		+ 23 15/32	(596)	÷ 10
	Daylight Opening	Panel OM		+ 6 1/8	(156)	
	Panel OM	Net Clear Opening	x 8	- 28 7/16	(722)	
	Intermediate Panel					
	Frame OM	Panel OM		+ 19 31/64	(495)	÷ 10
Daylight Opening	Panel OM		+ 5 23/32	(145)		

Stacked Conversion Measurements (Width)

Configuration	Unit Measurements		Width			
	From	To	Panels	in	mm	Panels
OX-O or O-XO	Primary, Stationary (C) Panel					
	Frame OM	Panel OM		+ 9/16	(14)	÷ 3
	Daylight Opening	Panel OM		+ 6 1/8	(156)	
	Panel OM	Net Clear Opening		-3 63/64	(101)	
	Stationary (H) Panel					
	Frame OM	Panel OM		+ 17/32	(14)	÷ 3
	Daylight Opening	Panel OM		+ 6 33/64	(166)	

Configuration	Unit Measurements		Width			
	From	To	Panels	in	mm	Panels
OOX or XOO	Primary, Stationary (C) Panel					
	Frame OM	Panel OM		+ 9/16	(14)	÷ 3
	Daylight Opening	Panel OM		+ 6 1/8	(156)	
	Panel OM	Net Clear Opening		-3 31/64	(88)	
	Stationary (H) Panel					
	Frame OM	Panel OM		+ 17/32	(14)	÷ 3
	Daylight Opening	Panel OM		+ 6 33/64	(166)	

Configuration	Unit Measurements		Width			
	From	To	Panels	in	mm	Panels
OOOX or XOOO	Primary, Stationary (C) Panel					
	Frame OM	Panel OM		+ 1/64	(01)	÷ 4
	Daylight Opening	Panel OM		+ 6 1/8	(156)	
	Panel OM	Net Clear Opening		-3 31/64	(88)	
	Stationary (H) Panel					
	Frame OM	Panel OM		-1/64	(00)	÷ 4
	Daylight Opening	Panel OM		+ 6 33/64	(166)	

Stacked Conversion Measurements (Width)

Configuration	Unit Measurements		Width			
	From	To	Panels	in	mm	Panels
XOX	Primary Panel					
	Frame OM	Panel OM	see note*			
	Daylight Opening	Panel OM		+ 6 1/8	(156)	
	Panel OM	Net Clear Opening		-3 31/64	(88)	
	Stationary (K) Panel					
	Frame OM	Panel OM	see note*			
	Daylight Opening	Panel OM		+ 5 47/64	(146)	

Configuration	Unit Measurements		Width			
	From	To	Panels	in	mm	Panels
XOOX	Primary, Stationary (C) Panel, Stationary (J) Panel					
	Frame OM	Panel OM		+ 3 53/64	(97)	÷ 4
	Daylight Opening	Panel OM		+ 6 1/8	(156)	
	Panel OM	Net Clear Opening**		-3 31/64	(88)	

Configuration	Unit Measurements		Width			
	From	To	Panels	in	mm	Panels
OX-XOO or OOX-XO	Primary Active, Inactive, Stationary (C) Panel					
	Frame OM	Panel OM		+ 3 19/64	(84)	÷ 5
	Daylight Opening	Panel OM		+ 6 1/8	(156)	
	Panel OM	Net Clear Opening	x 2	-7 1/16	(179)	
	Stationary (H) Panel					
	Frame OM	Panel OM		+ 5 9/32	(134)	÷ 5
Daylight Opening	Panel OM		+ 6 33/64	(166)		

*The conversion factor is a dynamic value based on OMS inputs for frame and panel sizes.

**XOOX has two NCO sizes due to the non-centered bumper. The secondary NCO is 0.5" smaller than the primary.

Stacked Conversion Measurements (Width)

Configuration	Unit Measurements		Width			
	From	To	Panels	in	mm	Panels
XOX	Primary Panel					
	Frame OM	Panel OM	see note**			
	Daylight Opening	Panel OM		+ 6 1/8	(156)	
	Panel OM	Net Clear Opening	-3 31/64			
	Stationary (K) Panel					
	Frame OM	Panel OM	see note**			
	Daylight Opening	Panel OM		+ 5 47/64	(146)	

Configuration	Unit Measurements		Width			
	From	To	Panels	in	mm	Panels
XOOX	Primary, Stationary (C) Panel, Stationary (J) Panel					
	Frame OM	Panel OM		+ 3 53/64	(97)	÷ 4
	Daylight Opening	Panel OM		+ 6 1/8	(156)	
	Panel OM	Net Clear Opening*		-3 31/64	(88)	

Configuration	Unit Measurements		Width			
	From	To	Panels	in	mm	Panels
OX-XOO or OOX-XO	Primary Active, Inactive, Stationary (C) Panel					
	Frame OM	Panel OM		+ 3 19/64	(84)	÷ 5
	Daylight Opening	Panel OM		+ 6 1/8	(156)	
	Panel OM	Net Clear Opening	x 2	-7 1/16	(179)	
	Stationary (H) Panel					
	Frame OM	Panel OM		+ 5 9/32	(134)	÷ 5
	Daylight Opening	Panel OM		+ 6 33/64	(166)	

Stacked Conversion Measurements (Height)

Unit Measurements		Height					
		Flush Sill		Performance Sill		High Performance Sill	
From	To	in	mm	in	mm	in	mm
Rough Opening							
Frame OM	Rough Opening	+ 3/4	(19)	+ 3/4	(19)		
Frame OM	System OM					+ 1 11/16	(43)
Frame OM	Total Rough Opening					+ 2 1/2	(63)
System OM	Total Rough Opening					+ 13/16	(21)
Masonry Opening	Rough Opening	+ 1/2	(13)	+ 1/2	(13)	+ 1/2	(13)
All Panels							
Frame OM	Panel OM	- 1 55/64	(47)	-1 55/64	(47)	- 1 55/64	(47)
Daylight Opening	Panel OM	+ 6 35/64	(166)	+ 6 35/64	(166)	+ 6 35/64	(166)
Glass							
Daylight Opening	Glass	+ 1 31/64	(38)	+ 1 31/64	(38)	+ 1 31/64	(38)
Screen							
Frame OM	Screen OM	+ 2 29/32	(74)	+ 1 59/64	(49)	+ 2 29/32	(74)
Screen OM	Screen IM	- 5 5/32	(131)	-5 5/32	(131)	- 5 5/32	(131)
Screen OM	Screen RO	+ 1/2	(13)	+ 1/2	(13)	+ 1 9/32	(32)

NOTE: System OM and Total Rough Opening measurements apply to High Performance Sill only.

Uni-Directional and Bi-Parting Pocket Measurement (Width) Conversions

Configuration	Unit Measurements		Width		
	From	To	in	mm	Panels
Uni-Directional & Bi-Parting Pocket	Frame				
	Frame OM	Total Rough Opening	+ 1 1/2	(38)	
	Glass				
	Daylight Opening	Glass	+ 1 31/64	(38)	
	Screen				
	Biparting Interior Frame OM	Screen OM	+ 8 17/64	(210)	
	Unidirectional Interior Frame OM	Screen OM	+ 6 49/64	(172)	
	Biparting PX-XP Interior Frame OM	Screen OM	+ 12 39/64	(320)	
	Unidirectional PX / XP Interior Frame OM	Screen OM	+ 8 15/16	(227)	
	Screen OM	Screen IM	- 8 17/64	(210)	
Screen OM	Screen RO	+ 1	(25)		

Configuration	Unit Measurements		Width		
	From	To	in	mm	Panels
Uni-Directional Pocket	Frame				
	Interior Frame OM	Interior Wall RO	+ 4 3/4	(121)	
	Interior Frame OM	Exterior Wall RO	+ 1 1/4	(32)	
	Exterior Frame OM	Interior Frame OM	0	(00)	
	Exterior Wall RO	Interior Wall RO	+ 3 1/2	(89)	
	Exterior Frame OM	Net Clear Opening	- 3	(76)	

Configuration	Unit Measurements		Width		
	From	To	in	mm	Panels
Bi-Parting Pocket	Frame				
	Interior Frame OM	Interior Wall RO	+ 8	(203)	
	Interior Frame OM	Exterior Wall RO	+ 1	(25)	
	Exterior Frame OM	Interior Frame OM	0	(00)	
	Exterior Wall RO	Interior Wall RO	+ 7	(178)	
	Exterior Frame OM	Net Clear Opening	- 3 45/64	(94)	

Configuration	Unit Measurements		Width		
	From	To	in	mm	Panels
PX or XP	Primary Pocket Panel				
	Exterior Frame OM	Panel OM	- 1 3/4	(44)	
	Daylight Opening	Panel OM	+ 6 35/64	(166)	

Configuration	Unit Measurements		Width		
	From	To	in	mm	Panels
PXX or XXP	Primary Panel				
	Exterior Frame OM	Panel OM	+ 1 7/64	(28)	÷ 2
	Daylight Opening	Panel OM	+ 6 1/8	(156)	
	Pocket Panel				
	Exterior Frame OM	Panel OM	+ 1 7/64	(28)	÷ 2
	Daylight Opening	Panel OM	+ 6 1/8	(156)	

Uni-Directional and Bi-Parting Pocket Measurement (Width) Continued

Configuration	Unit Measurements		Width			
	PXXX or XXXP	From	To	in	mm	Panels
	Primary Panel					
		Exterior Frame OM	Panel OM	+ 4 3/8	(111)	÷ 3
		Daylight Opening	Panel OM	+ 6 1/8	(156)	
	Intermediate Panel					
		Exterior Frame OM	Panel OM	+ 3 9/64	(80)	÷ 3
		Daylight Opening	Panel OM	+ 5 23/32	(145)	
	Pocket Panel					
		Exterior Frame OM	Panel OM	+ 4 3/8	(111)	÷ 3
	Daylight Opening	Panel OM	+ 6 1/8	(156)		

Configuration	Unit Measurements		Width			
	PXXXX or XXXXP	From	To	in	mm	Panels
	Primary Panel					
		Exterior Frame OM	Panel OM	+ 7 21/32	(194)	÷ 4
		Daylight Opening	Panel OM	+ 6 1/8	(156)	
	Intermediate Panel					
		Exterior Frame OM	Panel OM	+ 6	(153)	÷ 4
		Daylight Opening	Panel OM	+ 5 23/32	(145)	
	Pocket Panel					
		Exterior Frame OM	Panel OM	+ 7 21/32	(194)	÷ 4
	Daylight Opening	Panel OM	+ 6 1/8	(156)		

Configuration	Unit Measurements		Width			
	PXXXXX or XXXXP	From	To	in	mm	Panels
	Primary Panel					
		Exterior Frame OM	Panel OM	+ 10 59/64	(277)	÷ 5
		Daylight Opening	Panel OM	+ 6 1/8	(156)	
	Intermediate Panel					
		Exterior Frame OM	Panel OM	+ 8 7/8	(225)	÷ 5
		Daylight Opening	Panel OM	+ 5 23/32	(145)	
	Pocket Panel					
		Exterior Frame OM	Panel OM	+ 10 59/64	(277)	÷ 5
	Daylight Opening	Panel OM	+ 6 1/8	(156)		

Configuration	Unit Measurements		Width			
	PXXXXXX or XXXXP	From	To	in	mm	Panels
	Primary Panel					
		Exterior Frame OM	Panel OM	+ 14 3/16	(361)	÷ 6
		Daylight Opening	Panel OM	+ 6 1/8	(156)	
	Intermediate Panel					
		Exterior Frame OM	Panel OM	+ 11 47/64	(298)	÷ 6
		Daylight Opening	Panel OM	+ 5 23/32	(145)	
	Pocket Panel					
		Exterior Frame OM	Panel OM	+ 14 3/16	(361)	÷ 6
	Daylight Opening	Panel OM	+ 6 1/8	(156)		

Uni-Directional and Bi-Parting Pocket Measurement (Width) Continued

Configuration	Unit Measurements		Width		
PX-XP	Primary Pocket Panel		in	mm	panels
	Exterior Frame OM	Panel OM	- 1 7/8	(48)	÷ 2
	Daylight Opening	Panel OM	+ 6 35/64	(166)	
	Inactive Pocket Panel				
	Exterior Frame OM	Panel OM	- 1 7/8	(48)	÷ 2
	Daylight Opening	Panel OM	+ 6 35/64	(166)	

Configuration	Unit Measurements		Width		
PXX-XXP	From	To	in	mm	Panels
	Primary Active, Inactive Panel				
	Exterior Frame OM	Panel OM	+ 3 27/32	(98)	÷ 4
	Daylight Opening	Panel OM	+ 6 1/8	(156)	
	Pocket Panel				
	Exterior Frame OM	Panel OM	+ 3 27/32	(98)	÷ 4
	Daylight Opening	Panel OM	+ 6 1/8	(156)	

Configuration	Unit Measurements		Width		
PXXX-XXXP	From	To	in	mm	Panels
	Primary Active, Inactive Panel				
	Exterior Frame OM	Panel OM	+ 10 25/64	(264)	÷ 6
	Daylight Opening	Panel OM	+ 6 1/8	(156)	
	Intermediate Panel				
	Exterior Frame OM	Panel OM	+ 7 59/64	(201)	÷ 6
	Daylight Opening	Panel OM	+ 5 23/32	(145)	
	Pocket Panel				
	Exterior Frame OM	Panel OM	+ 10 25/64	(264)	÷ 6
	Daylight Opening	Panel OM	+ 6 1/8	(156)	

Configuration	Unit Measurements		Width		
PXXXX-XXXXP	From	To	in	mm	Panels
	Primary Active, Inactive Panel				
	Exterior Frame OM	Panel OM	+ 16 15/16	(430)	÷ 8
	Daylight Opening	Panel OM	+ 6 1/8	(156)	
	Intermediate Panel				
	Exterior Frame OM	Panel OM	+ 13 41/64	(346)	÷ 8
	Daylight Opening	Panel OM	+ 5 23/32	(145)	
	Pocket Panel				
	Exterior Frame OM	Panel OM	+ 16 15/16	(430)	÷ 8
	Daylight Opening	Panel OM	+ 6 1/8	(156)	

Configuration	Unit Measurements		Width		
PXXXXX-XXXXXP	From	To	in	mm	Panels
	Primary Active, Inactive Panel				
	Exterior Frame OM	Panel OM	+ 23 15/32	(596)	÷ 10
	Daylight Opening	Panel OM	+ 6 1/8	(156)	
	Intermediate Panel				
	Exterior Frame OM	Panel OM	+ 19 23/64	(492)	÷ 10
	Daylight Opening	Panel OM	+ 5 23/32	(145)	
	Pocket Panel				
	Exterior Frame OM	Panel OM	+ 23 15/32	(596)	÷ 10
	Daylight Opening	Panel OM	+ 6 1/8	(156)	

Uni-Directional and Bi-Parting Pocket Measurement (Height)

Unit Measurements		Height		Height		Height	
		Flush Sill		Performance Sill		High Performance Sill	
From	To	in	mm	in	mm	in	mm
Frame							
Frame OM	Rough Opening	+ 3/4	(19)	+ 3/4	(19)	0	NA
Frame OM	System OM	NA	NA	NA	NA	+ 1 11/16	(43)
Frame OM	Total Rough Opening	NA	NA	NA	NA	+ 2 1/2	(63)
System OM	Total Rough Opening	NA	NA	NA	NA	+ 13/16	(21)
All Panels							
Frame OM	Panel OM	- 1 55/64	(47)	- 1 55/64	(47)	- 1 55/64	(47)
Daylight Opening	Panel OM	+ 6 35/64	(166)	+ 6 35/64	(166)	+ 6 35/64	(166)
Glass							
Daylight Opening	Glass	+ 1 31/64	(38)	+ 1 31/64	(38)	+ 1 31/64	(38)
Screen							
Frame OM	Screen OM	+ 2 29/32	(74)	+ 1 59/64	(49)	+ 2 29/32	(74)
Screen OM	Screen IM	- 5 5/32	(131)	- 5 5/32	(131)	- 5 5/32	(131)
Screen OM	Screen RO	+ 1/2	(13)	+ 1/2	(13)	+ 1 9/32	(32)

NOTE: System OM and Total Rough Opening measurements apply to High Performance Sill only.

Certified Sizes and Ratings

10 foot panel heights

Applicable Configurations	Panel Qty	Sill Type	Air	Water	Structural	Certified Performance Grade	Design Pressure	Overall Width		Overall Height	
			Rated to psf					in	mm	in	mm
OX-O or O-XO (over 5', up to 6' wide panels)	3	Performance Sill	1.57	6.00	+ 52.5 - 52.5	LC-PG35-SD	+ 35 - 35	216 5/8	(5502)	120	(3048)
OX-O or O-XO (over 5', up to 6' wide panels)	3	High Performance Sill	1.57	7.50	+ 52.5 - 52.5	LC-PG35-SD	+ 35 - 35	216 5/8	(5502)	121 3/4	(3092)
OX-O or O-XO (up to 5' wide panels)	3	Performance Sill	1.57	6.00	+ 60.0 - 67.5	LC-PG40-SD	+ 40 - 45	180 5/8	(4588)	120	(3048)
OX-O or O-XO (up to 5' wide panels)	3	High Performance Sill	1.57	7.50	+ 60.0 - 67.5	LC-PG40-SD	+ 40 - 45	180 5/8	(4588)	121 3/4	(3092)
OOX or XOO	3	Performance Sill	1.57	6.00	+ 60.0 - 60.0	LC-PG40-SD	+ 40 - 40	216 5/8	(5502)	120	(3048)
OOX or XOO	3	High Performance Sill	1.57	6.00	+ 60.0 - 60.0	LC-PG40-SD	+ 40 - 40	216 5/8	(5502)	121 3/4	(3092)
XOX	3	Performance Sill	1.57	6.00	+ 60.0 - 60.0	LC-PG40-SD	+ 40 - 40	187 7/8	(4772)	120	(3048)
XOX	3	High Performance Sill	1.57	7.50	+ 60.0 - 60.0	LC-PG40-SD	+ 40 - 40	187 7/8	(4772)	121 3/4	(3092)
OOOX or XOOO	4	Performance Sill	1.57	6.00	+ 60.0 - 60.0	LC-PG40-SD	+ 40 - 40	289 9/16	(7355)	120	(3048)
OOOX or XOOO	4	High Performance Sill	1.57	6.00	+ 60.0 - 60.0	LC-PG40-SD	+ 40 - 40	289 9/16	(7355)	121 3/4	(3092)
XOOX	4	Performance Sill	1.57	6.00	+ 60.0 - 60.0	LC-PG40-SD	+ 40 - 40	285 3/4	(7258)	120	(3048)
XOOX	4	High Performance Sill	1.57	6.00	+ 60.0 - 60.0	LC-PG40-SD	+ 40 - 40	285 3/4	(7258)	121 3/4	(3092)
OX-XOO or OOX-XO (over 5', up to 6' wide panels)	5	Performance Sill	1.57	6.00	+ 52.5 - 52.5	LC-PG35-SD	+ 35 - 35	358 11/16	(9111)	120	(3048)
OX-XOO or OOX-XO (over 5', up to 6' wide panels)	5	High Performance Sill	1.57	6.00	+ 52.5 - 52.5	LC-PG35-SD	+ 35 - 35	358 11/16	(9111)	121 3/4	(3092)
OX-XOO or OOX-XO (up to 5' wide panels)	5	Performance Sill	1.57	6.00	+ 60.0 - 60.0	LC-PG40-SD	+ 40 - 40	298 11/16	(7587)	120	(3048)
OX-XOO or OOX-XO (up to 5' wide panels)	5	High Performance Sill	1.57	6.00	+ 60.0 - 60.0	LC-PG40-SD	+ 40 - 40	298 11/16	(7587)	121 3/4	(3092)
Uni-Directional stacked (2 panels)	2	Performance Sill	1.57	6.00	+ 67.5 - 67.5	LC-PG40-SD	+ 45 - 45	143 11/16	(3650)	120	(3048)
Uni-Directional stacked (2 panels)	2	High Performance Sill	1.57	9.00	+ 67.5 - 67.5	LC-PG45-SD	+ 45 - 45	143 11/16	(3650)	121 3/4	(3092)
Uni-Directional stacked (3-6 panels)	6	Performance Sill	1.57	6.00	+ 60.0 - 60.0	LC-PG40-SD	+ 40 - 40	420 3/16	(10673)	120	(3048)
Uni-Directional stacked (3-6 panels)	6	High Performance Sill	1.57	6.00	+ 60.0 - 60.0	LC-PG40-SD	+ 40 - 40	420 3/16	(10673)	121 3/4	(3092)

NOTES:

- Certified Sizes and Ratings are for doors utilizing the performance and high performance sill options.
- Certification based on AAMA/WDMA/CSA 11101/I.S.2/A440

Certified Sizes and Ratings

10 foot panel heights

Applicable Configurations	Panel Qty	Sill Type	Air	Water	Structural	Certified Performance Grade	Design Pressure	Overall Width		Overall Height	
			Rated to psf					in	mm	in	mm
Uni-Directional pocket (2 panels)	2	Performance Sill	1.57	6.00	+ 60.0 - 60.0	LC-PG40-SD	+ 40 - 40	219 7/16	(5574)	120	(3048)
Uni-Directional pocket (1–2 panels)	2	High Performance Sill	1.57	9.00	+75.0 - 67.5	LC-PG45-SD	+ 50 - 45	219 7/16	(5574)	121 3/4	(3092)
Uni-Directional pocket (3–6 panels)	6	Performance Sill	1.57	6.00	+ 60.0 - 60.0	LC-PG40-SD	+ 40 - 40	495 15/16	(12597)	120	(3048)
Uni-Directional pocket (3–6 panels)	6	High Performance Sill	1.57	6.00	+ 60.0 - 60.0	LC-PG40-SD	+ 40 - 40	495 15/16	(12597)	121 3/4	(3092)
Bi-Parting stacked (over 5', up to 6' wide panels)	10	Performance Sill	1.57	6.00	+ 52.5 - 52.5	LC-PG35-SD	+ 35 - 35	700 1/2	(17793)	120	(3048)
Bi-Parting stacked (over 5', up to 6' wide panels)	10	High Performance Sill	1.57	6.00	+ 52.5 - 52.5	LC-PG35-SD	+ 35 - 35	700 1/2	(17793)	121 3/4	(3092)
Bi-Parting stacked (up to 5' wide panels)	10	Performance Sill	1.57	6.00	+ 60.0 - 60.0	LC-PG40-SD	+ 40 - 40	580 1/2	(14745)	120	(3048)
Bi-Parting stacked (up to 5' wide panels)	10	High Performance Sill	1.57	6.00	+ 60.0 - 60.0	LC-PG40-SD	+ 40 - 40	580 1/2	(14745)	121 3/4	(3092)
Bi-Parting pocket (over 5', up to 6' wide panels)	10	Performance Sill	1.57	6.00	+ 52.5 - 52.5	LC-PG35-SD	+ 35 - 35	852	(21641)	120	(3048)
Bi-Parting pocket (over 5', up to 6' wide panels)	10	High Performance Sill	1.57	6.00	+ 52.5 - 52.5	LC-PG35-SD	+ 35 - 35	852	(21641)	121 3/4	(3092)
Bi-Parting pocket (up to 5' wide panels)	10	Performance Sill	1.57	6.00	+ 60.0 - 60.0	LC-PG40-SD	+ 40 - 40	708	(17983)	120	(3048)
Bi-Parting pocket (up to 5' wide panels)	10	High Performance Sill	1.57	6.00	+ 60.0 - 60.0	LC-PG40-SD	+ 40 - 40	708	(17983)	121 3/4	(3092)

NOTES:

- Certified Sizes and Ratings are for doors utilizing the performance and high performance sill options.
- Certification based on AAMA/WDMA/CSA 11101/I.S.2/A440

Certified Sizes and Ratings

12 foot panel heights

Applicable Configurations	Panel Qty	Sill Type	Air	Water	Structural	Certified Performance Grade	Design Pressure	Overall Width		Overall Height	
			Rated to psf					in	mm	in	mm
OX-O or O-XO (over 4', up to 5' wide panels)	3	Performance Sill	1.57	3.00	+ 30.0 - 30.0	R-PG20-SD	+ 20 - 20	180 5/8	(4588)	144	(3658)
OX-O or O-XO (over 4', up to 5' wide panels)	3	High Performance Sill	1.57	3.00	+ 30.0 - 30.0	R-PG20-SD	+ 20 - 20	180 5/8	(4588)	145 3/4	(3702)
OX-O or O-XO (up to 4' wide panels)	3	Performance Sill	1.57	3.75	+ 37.5 - 37.5	LC-PG25-SD	+ 25 - 25	144 5/8	(3673)	144	(3658)
OX-O or O-XO (up to 4' wide panels)	3	High Performance Sill	1.57	3.75	+ 37.5 - 37.5	LC-PG25-SD	+ 25 - 25	144 5/8	(3673)	145 3/4	(3702)
OOX or XOO	3	Performance Sill	1.57	3.75	+ 37.5 - 37.5	LC-PG25-SD	+ 25 - 25	180 5/8	(4588)	144	(3658)
OOX or XOO	3	High Performance Sill	1.57	3.75	+ 37.5 - 37.5	LC-PG25-SD	+ 25 - 25	180 5/8	(4588)	145 3/4	(3702)
XOX	3	Performance Sill	1.57	3.75	+ 37.5 - 37.5	LC-PG25-SD	+ 25 - 25	139 59/64	(3554)	144	(3658)
XOX	3	High Performance Sill	1.57	3.75	+ 37.5 - 37.5	LC-PG25-SD	+ 25 - 25	139 59/64	(3554)	145 3/4	(3702)
OOOX or XOOO	4	Performance Sill	1.57	3.75	+ 37.5 - 37.5	LC-PG25-SD	+ 25 - 25	241 9/16	(6136)	144	(3658)
OOOX or XOOO	4	High Performance Sill	1.57	3.75	+ 37.5 - 37.5	LC-PG25-SD	+ 25 - 25	241 9/16	(6136)	145 3/4	(3702)
XOOX	4	Performance Sill	1.57	3.75	+ 37.5 - 37.5	LC-PG25-SD	+ 25 - 25	237 3/4	(6039)	144	(3658)
XOOX	4	High Performance Sill	1.57	3.75	+ 37.5 - 37.5	LC-PG25-SD	+ 25 - 25	237 3/4	(6039)	145 3/4	(3702)
OX-XOO or OOX-XO (over 4', up to 5' wide panels)	5	Performance Sill	1.57	3.00	+ 30.0 - 30.0	R-PG20-SD	+ 20 - 20	298 11/16	(7587)	144	(3658)
OX-XOO or OOX-XO (over 4', up to 5' wide panels)	5	High Performance Sill	1.57	3.00	+ 30.0 - 30.0	R-PG20-SD	+ 20 - 20	298 11/16	(7587)	145 3/4	(3702)
OX-XOO or OOX-XO (up to 4' wide panels)	5	Performance Sill	1.57	3.75	+ 37.5 - 37.5	LC-PG25-SD	+ 25 - 25	238 11/16	(6063)	144	(3658)
OX-XOO or OOX-XO (up to 4' wide panels)	5	High Performance Sill	1.57	3.75	+ 37.5 - 37.5	LC-PG25-SD	+ 25 - 25	238 11/16	(6063)	145 3/4	(3702)
Uni-Directional stacked	6	Performance Sill	1.57	3.75	+ 37.5 - 37.5	LC-PG25-SD	+ 25 - 25	348 3/16	(8844)	144	(3658)
Uni-Directional stacked	6	High Performance Sill	1.57	3.75	+ 37.5 - 37.5	LC-PG25-SD	+ 25 - 25	348 3/16	(8844)	145 3/4	(3702)

NOTES:

- Certified Sizes and Ratings are for doors utilizing the performance and high performance sill options.
- Certification based on AAMA/WDMA/CSA 11101/I.S.2/A440

Certified Sizes and Ratings

12 foot panel heights

Applicable Configurations	Panel Qty	Sill Type	Air	Water	Structural	Certified Performance Grade	Design Pressure	Overall Width		Overall Height	
			Rated to psf					in	mm	in	mm
Uni-Directional pocket (2 panels)	2	Performance Sill	1.57	3.75	+ 37.5 - 37.5	LC-PG25-SD	+ 25 - 25	183 7/16	(4659)	144	(3658)
Uni-Directional pocket (1-2 panels)	2	High Performance Sill	1.57	3.75	+ 45.0 - 37.5	LC-PG25-SD	+ 30 - 25	183 7/16	(4659)	145 3/4	(3702)
Uni-Directional pocket (3-6 panels)	6	Performance Sill	1.57	3.75	+ 37.5 - 37.5	LC-PG25-SD	+ 25 - 25	411 15/16	(10463)	144	(3658)
Uni-Directional pocket (3-6 panels)	6	High Performance Sill	1.57	3.75	+ 37.5 - 37.5	LC-PG25-SD	+ 25 - 25	411 15/16	(10463)	145 3/4	(3702)
Bi-Parting stacked (over 4', up to 5' wide panels)	10	Performance Sill	1.57	3.00	+ 30.0 - 30.0	R-PG20-SD	+ 20 - 20	580 1/2	(14745)	144	(3658)
Bi-Parting stacked (over 4', up to 5' wide panels)	10	High Performance Sill	1.57	3.00	+ 30.0 - 30.0	R-PG20-SD	+ 20 - 20	580 1/2	(14745)	145 3/4	(3702)
Bi-Parting stacked (up to 4' wide panels)	10	Performance Sill	1.57	3.75	+ 37.5 - 37.5	LC-PG25-SD	+ 25 - 25	460 1/2	(11697)	144	(3658)
Bi-Parting stacked (up to 4' wide panels)	10	High Performance Sill	1.57	3.75	+ 37.5 - 37.5	LC-PG25-SD	+ 25 - 25	460 1/2	(11697)	145 3/4	(3702)
Bi-Parting pocket (over 4', up to 5' wide panels)	10	Performance Sill	1.57	3.00	+ 30.0 - 30.0	R-PG20-SD	+ 20 - 20	708	(17983)	144	(3658)
Bi-Parting pocket (over 4', up to 5' wide panels)	10	High Performance Sill	1.57	3.00	+ 30.0 - 30.0	R-PG20-SD	+ 20 - 20	708	(17983)	145 3/4	(3702)
Bi-Parting pocket (up to 4' wide panels)	10	Performance Sill	1.57	3.75	+ 37.5 - 37.5	LC-PG25-SD	+ 25 - 25	564	(14326)	144	(3658)
Bi-Parting pocket (up to 4' wide panels)	10	High Performance Sill	1.57	3.75	+ 37.5 - 37.5	LC-PG25-SD	+ 25 - 25	564	(14326)	145 3/4	(3702)

NOTES:

- Certified Sizes and Ratings are for doors utilizing the performance and high performance sill options.
- Certification based on AAMA/WDMA/CSA 11101/I.S.2/A440

Minimum and Maximum Guidelines

Multi-Slide Stacked

MMSDSTK Minimum and Maximum Frame Sizes												
Configuration	Minimum				Maximum							
	Width		Height		Width		Height		Width		Height	
					up to 6' wide panels				over 6' wide panels*			
	in	mm	in	mm	in	mm	in	mm	in	mm	in	mm
Uni-Directional												
OX or XO	55 11/16	(1414)	62 3/64	(1576)	143 11/16	(3650)	144	(3658)	191 11/16	(4869)	120	(3048)
OXX or XXO	80 13/16	(2053)	62 3/64	(1576)	212 13/16	(5405)	144	(3658)	284 13/16	(7234)	120	(3048)
OXXX or XXXO	105 15/16	(2691)	62 3/64	(1576)	281 15/16	(7161)	144	(3658)				
OXXXX or XXXXO	131 1/16	(3329)	62 3/64	(1576)	351 1/16	(8917)	144	(3658)				
OXXXXX or XXXXXO	156 3/16	(3967)	62 3/64	(1576)	420 3/16	(10673)	144	(3658)				
OOX or XOO (2 track)	84 5/8	(2149)	62 3/64	(1576)	216 5/8	(5502)	144	(3658)	288 5/8	(7331)	120	(3048)
OOOX or XOOO (2 track)	113 9/16	(2884)	62 3/64	(1576)	289 9/16	(7355)	144	(3658)	385 9/16	(9793)	120	(3048)
Bi-Parting												
OX-XO	109 3/4	(2788)	76 39/64	(1946)	285 3/4	(7258)	144	(3658)	381 3/4	(9696)	120	(3048)
OXX-XXO	160	(4064)	76 39/64	(1946)	424	(10770)	144	(3658)	568	(14427)	120	(3048)
OXXX-XXXO	210 1/4	(5340)	76 39/64	(1946)	562 1/4	(14281)	144	(3658)				
OXXXX-XXXXO	260 1/2	(6617)	76 39/64	(1946)	700 1/2	(17793)	144	(3658)				
OX-O or O-XO	84 5/8	(2149)	62 3/64	(1576)	216 5/8	(5502)	144	(3658)	288 5/8	(7331)	120	(3048)
OX-XOO or OOX-XO (2 track)	138 11/16	(3523)	76 39/64	(1946)	358 11/16	(9111)	144	(3658)	478 11/16	(12159)	120	(3048)
Center-Stacked												
XOOX	109 3/4	(2788)	62 3/64	(1576)	285 3/4	(7258)	144	(3658)	381 3/4	(9696)	120	(3048)
XOX*	110 19/64	(2802)	62 3/64	(1576)	139 13/32	(3541)	144	(3658)	187 55/64	(4772)	120	(3048)

* XOX has unequal panels -- the O panel is wider

** Panel quantity is limited to two operable panels.

NOTE: the Height for Low Handle is 22" (559)

Minimum and Maximum Guidelines

Multi-Slide Pocket

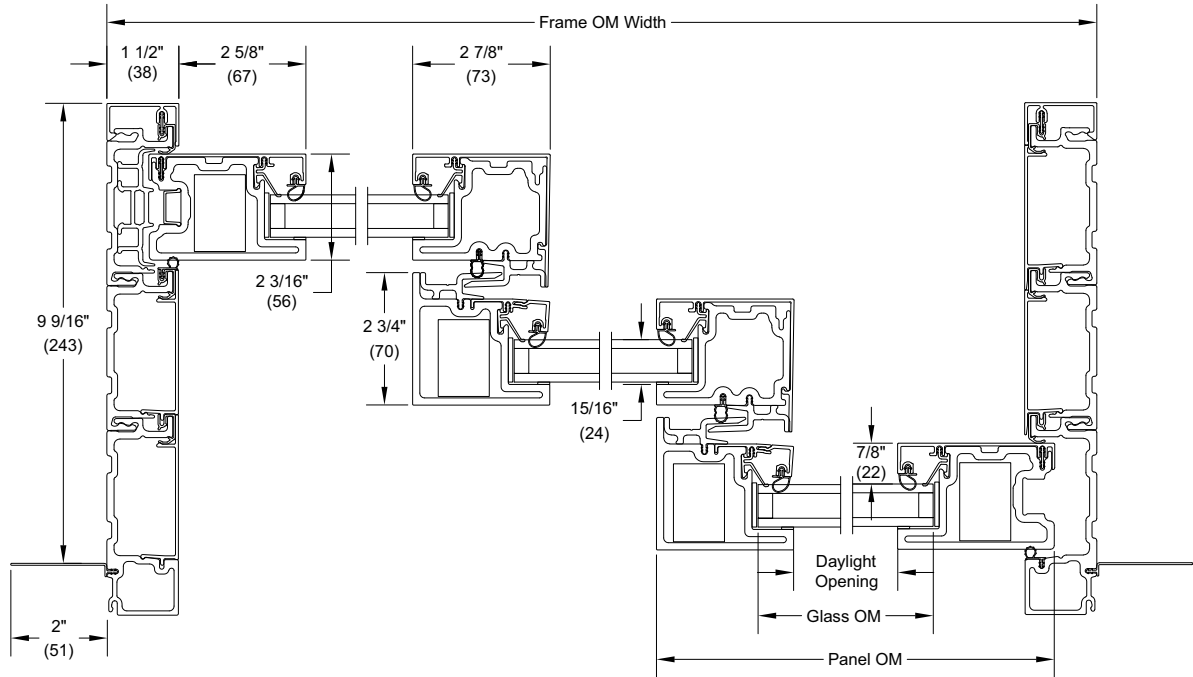
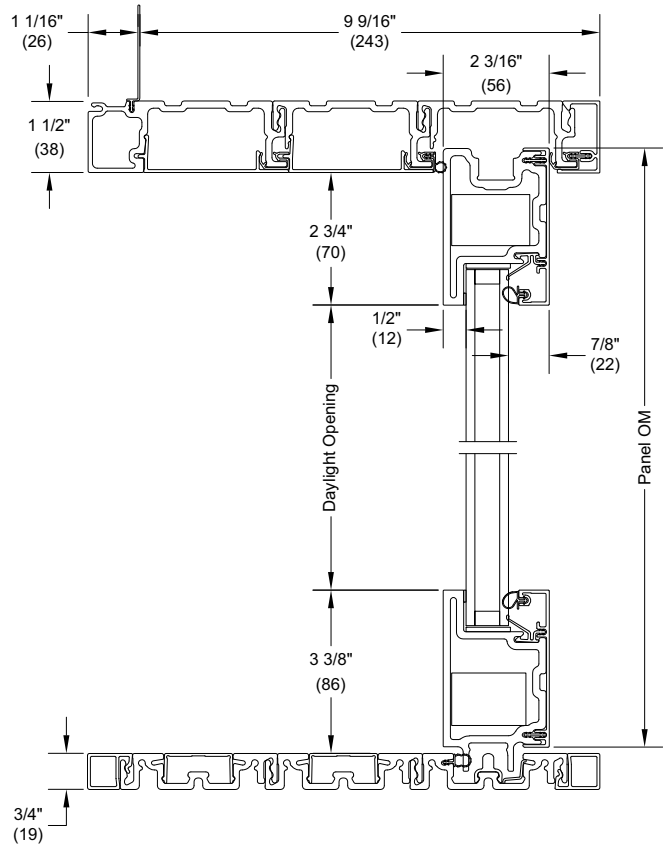
MMSDPKT Minimum and Maximum Exterior Frame Sizes														
Configuration	Minimum						Maximum				Maximum			
	Width		Height		Height for Low Handle		Width		Height		Width		Height	
	up to 6' wide panels		over 6' wide panels*											
	in	mm	in	mm	in	mm	in	mm	in	mm	in	mm	in	mm
Uni-Directional														
PX or XP*	30 9/16	(776)	68 19/64	(1735)	46 19/64	(1176)	74 9/16	(1894)	144	(3658)	98 9/16	(2503)	120	(3048)
PXX or XXP	55 11/16	(1414)	68 19/64	(1735)	46 19/64	(1176)	143 11/16	(3650)	144	(3658)	191 11/16	(4869)	120	(3048)
PXXX or XXXP	80 13/16	(2053)	68 19/64	(1735)	46 19/64	(1176)	212 13/16	(5405)	144	(3658)				
PXXXX or XXXXP	105 15/16	(2691)	68 19/64	(1735)	46 19/64	(1176)	281 15/16	(7161)	144	(3658)				
PXXXXX or XXXXXP	131 1/16	(3329)	68 19/64	(1735)	46 19/64	(1176)	351 1/16	(8917)	144	(3658)				
PXXXXXX or XXXXXXP	156 3/16	(3967)	68 19/64	(1735)	46 19/64	(1176)	420 3/16	(10673)	144	(3658)				
Bi-Parting														
PX-XP*	59 1/2	(1511)	80 55/64	(2054)	58 55/64	(1495)	147 1/2	(3747)	144	(3658)	195 1/2	(4966)	120	(3048)
PXX-XXP	109 3/4	(2788)	80 55/64	(2054)	58 55/64	(1495)	285 3/4	(7258)	144	(3658)	381 3/4	(9696)	120	(3048)
PXXX-XXXP	160	(4064)	80 55/64	(2054)	58 55/64	(1495)	424	(10770)	144	(3658)				
PXXXX-XXXXP	210 1/4	(5340)	80 55/64	(2054)	58 55/64	(1495)	562 1/4	(14281)	144	(3658)				
PXXXXX-XXXXXP	260 1/2	(6617)	80 55/64	(2054)	58 55/64	(1495)	700 1/2	(17793)	144	(3658)				

* Cannot be made with the performance sill.

** Panel quantity is limited to two operable panels.

Section Details: Uni-Directional Stacked (Dual Pane)

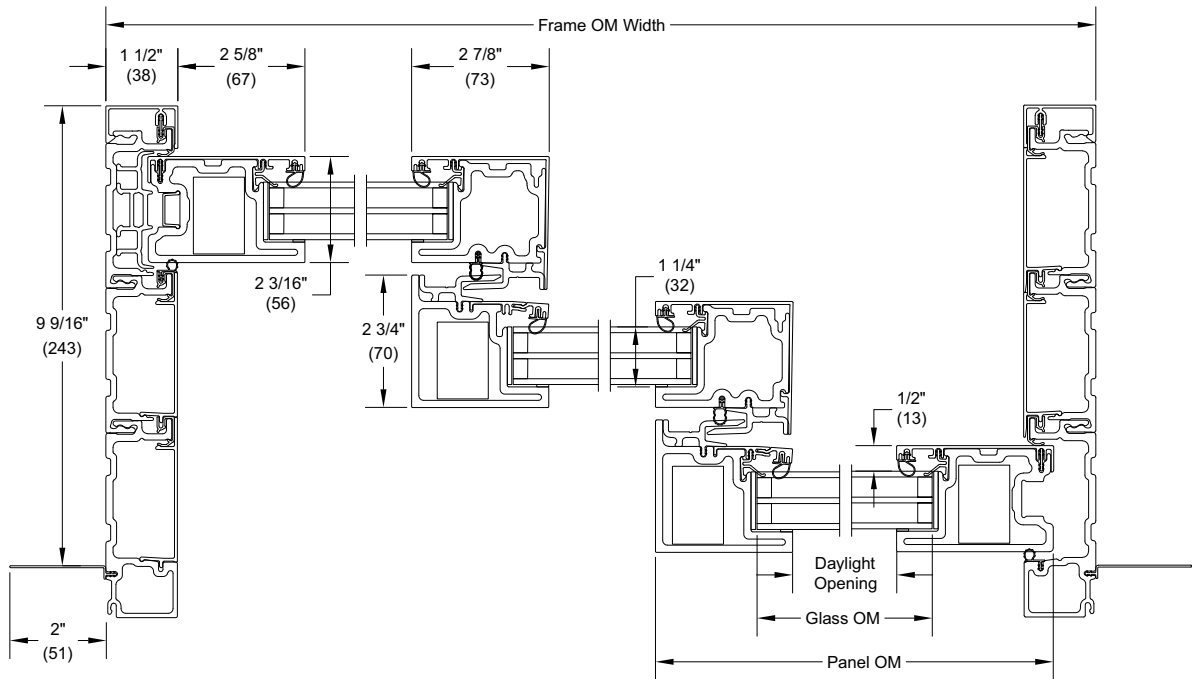
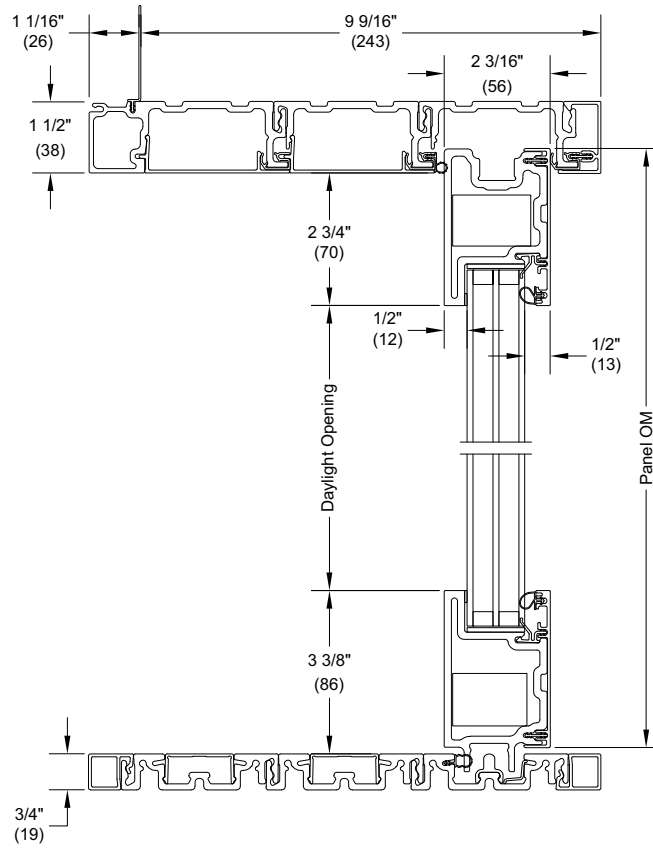
Scale: Not to Scale



MMSD-STK
Uni-Directional
XXO

Section Details: Center Stacked (Triple Pane)

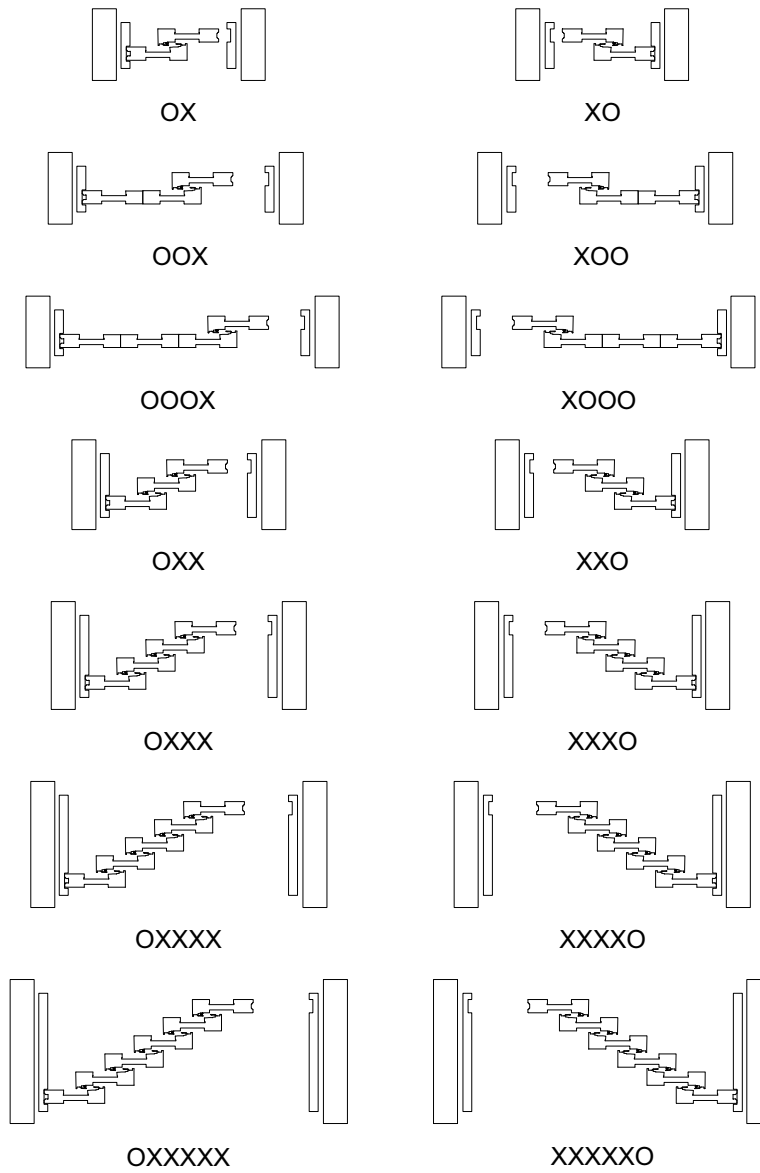
Scale: Not to Scale



MMSD-STK
Uni-Directional
XXO

Operating Configurations: Uni-Directional Stacked

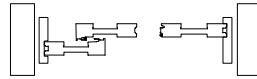
Scale: Not to Scale



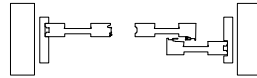
Operating Configurations: Bi-Parting and Center Stacked

Scale: Not to Scale

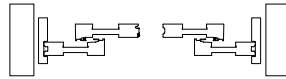
Bi-Parting Stacked



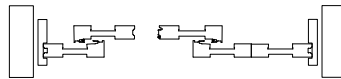
OX-O



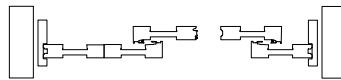
O-XO



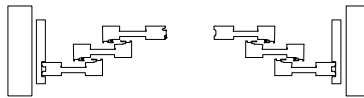
OX-XO



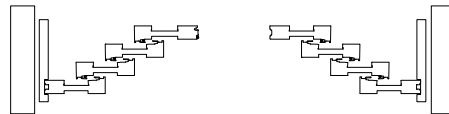
OX-XOO



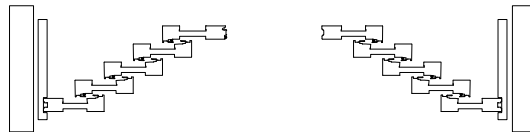
OOX-XO



OXX-XXO

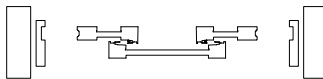


OXXX-XXXO

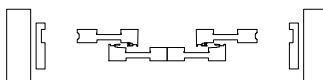


OXXXX-XXXXO

Center Stacked



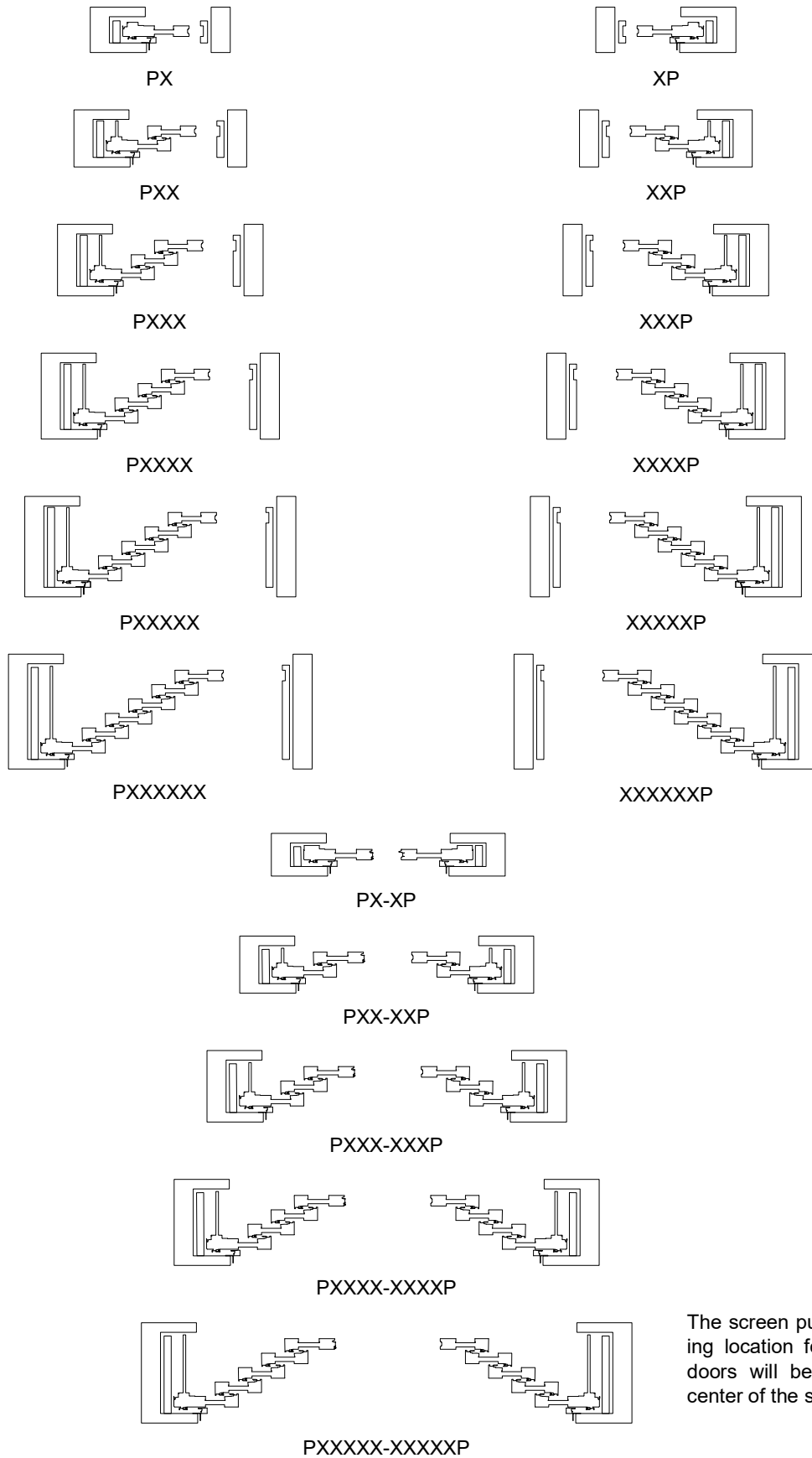
XOX



XOOX

Operating Configurations: Uni-Directional and Bi-Parting Pocket

Scale: Not to Scale



The screen pull bar meet-
ing location for bi-parting
doors will be set at the
center of the screen

Pocket Depth and Slot Depth

Pocket Depths

Number of Tracks	Jamb Depths Minimums Stacked with Nail Fin		Jamb Depths Minimums for Pockets or Stacked w/o Nail Fin		Pocket Depth	
	ft-in	mm	ft-in	mm	ft-in	mm
1 track	N/A		0-4 5/8	(117)	0-4 59/64	(125)
2 track	0-6 9/16	(167)	0-7 41/64	(194)	0-7 61/64	(202)
3 track	0-9 37/64	(243)	0-10 21/32	(271)	0-10 31/32	(279)
4 track	1-0 19/32	(320)	1-1 43/64	(347)	1-1 63/64	(355)
5 track	1-3 5/8	(397)	1-4 45/64	(424)	1-5	(432)
6 track	1-6 41/64	(473)	1-7 23/32	(501)	1-8 1/64	(509)

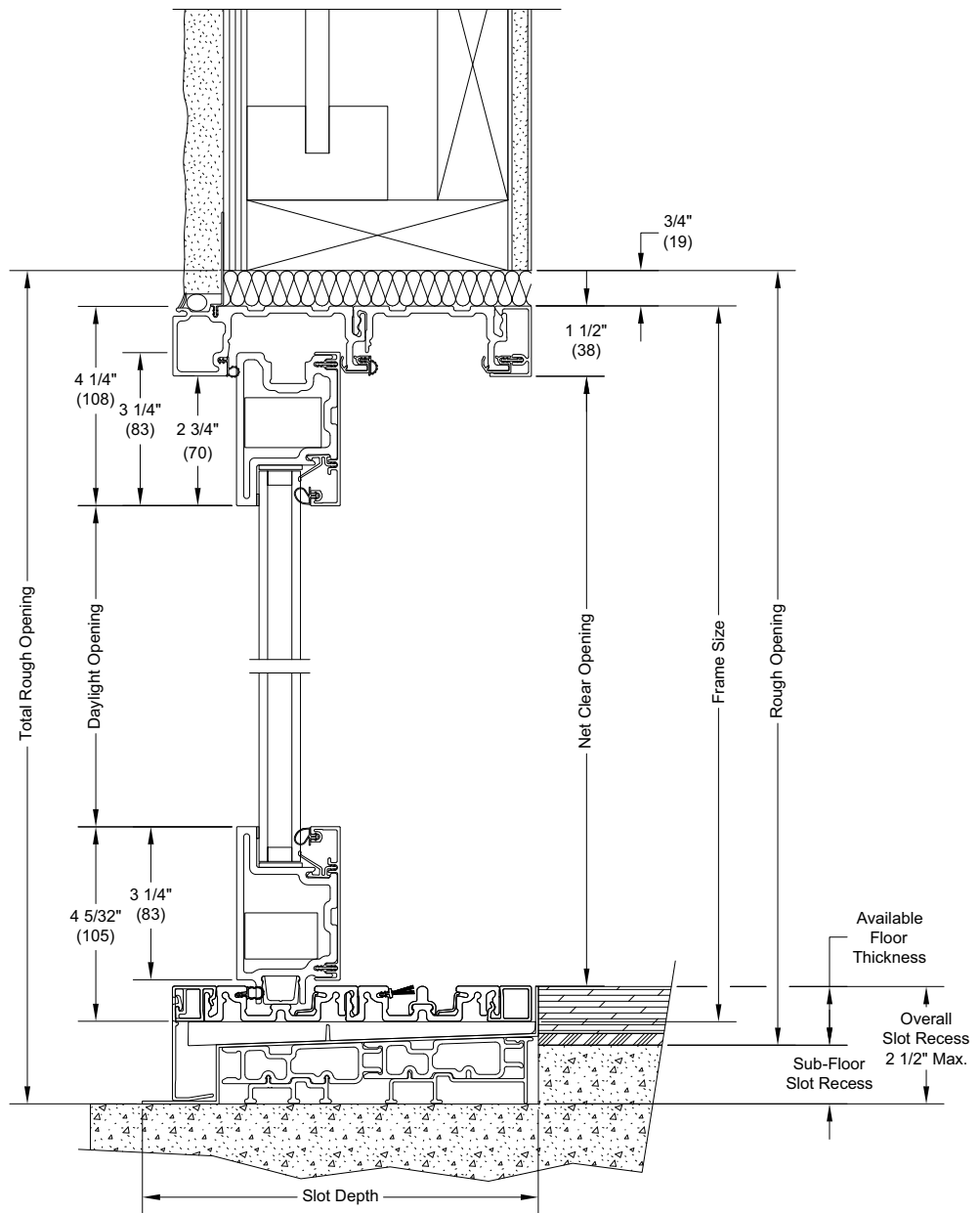
NOTE: Jamb depths vary dependent upon operating configuration.

Slot Depths

Tracks	Slot Depth High Performance Sill		Slot Depth High Performance Sill with Screen	
	ft-in	mm	ft-in	mm
1 track	0-5 1/4	(134)	0-9 3/64	(230)
2 track	0-8 9/32	(210)	1-0 1/16	(307)
3 track	0-11 19/64	(287)	1-3 3/32	(383)
4 track	1-2 5/16	(364)	1-6 7/64	(460)
5 track	1-5 21/64	(440)	1-9 1/8	(537)
6 track	1-8 23/64	(517)	2-0 9/64	(613)

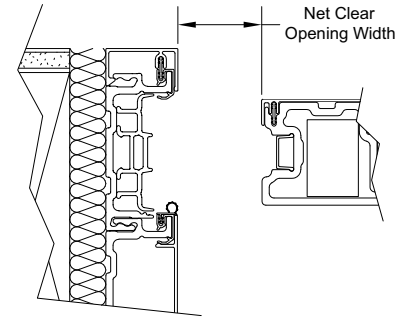
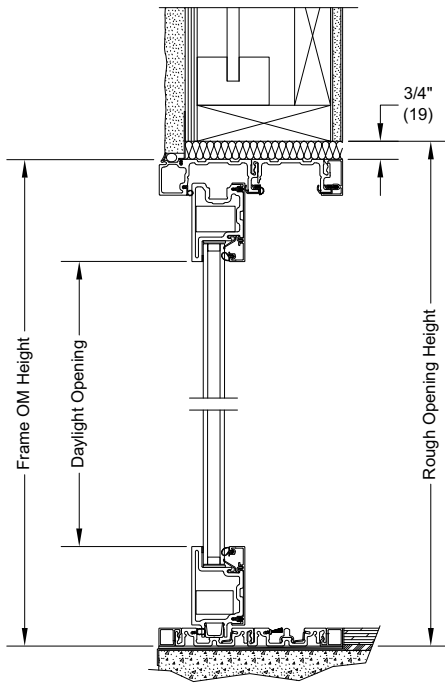
Sill Details: High Performance - Stacked Units

Scale: Not to Scale

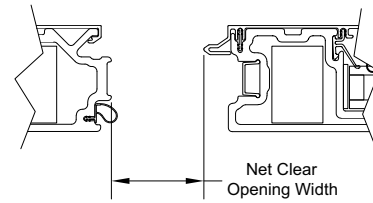


Section Details: Bi-Parting and Uni-Directional Stacked

Scale: Not to Scale



Uni-Directional Net Clear Opening



Bi-Parting Net Clear Opening

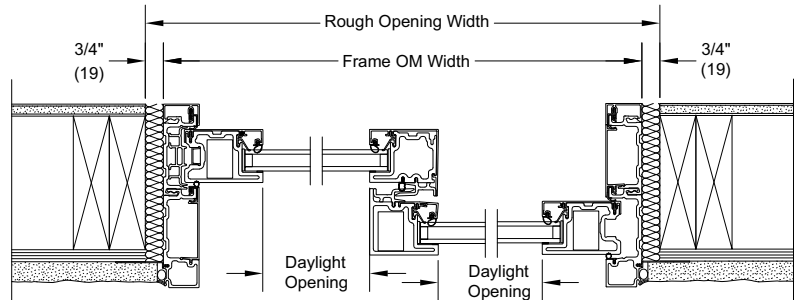
Description of Measurements Used:

RO Width: 1 1/2" (38) wider than OM of frame.

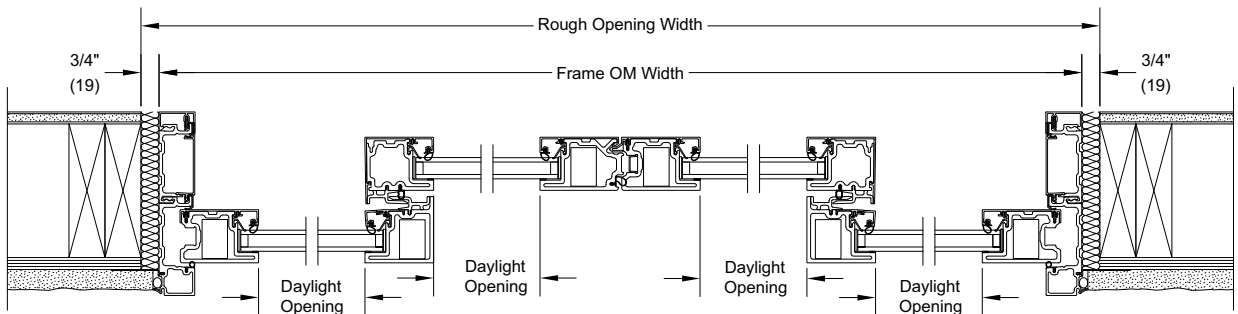
Frame OSM Width: OM of jamb to OM of jamb.

Bi-Parting Net Clear Opening Width: The shortest measurement from the surface of the panel edge to the surface of the astragal.

Uni-Directional-Net Clear Opening Width: The shortest measurement from the surface of the wood interior liner to the surface of the panel edge.



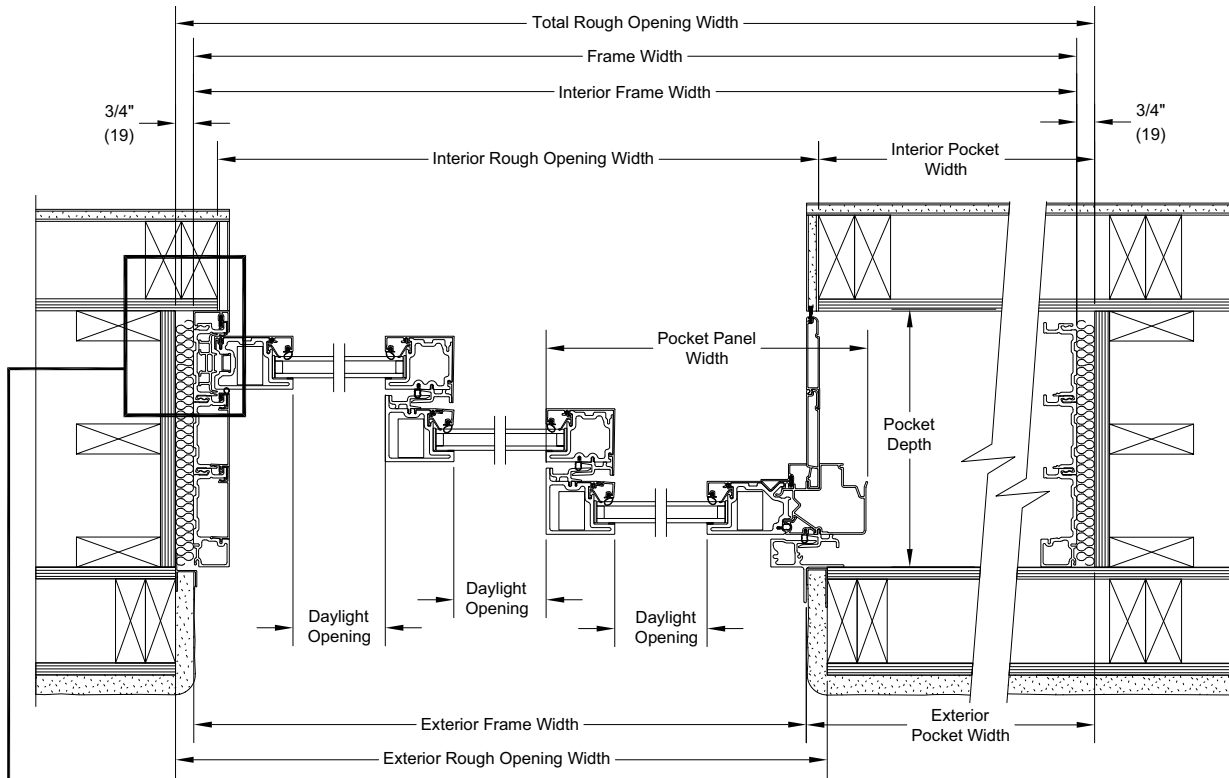
MMSD-STK
Uni-Directional XO



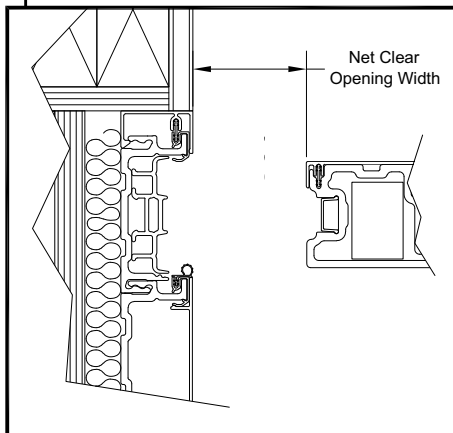
MMSD-STK Bi-Parting
OX-XO

Section Details: Uni-Directional Pocket

Scale: Not to Scale



MMSD-PKT - XXXP



Description of Measurements Used:

Total RO Width: Is 1 1/2" (38) wider than Frame OM

Frame OM Width: OM of jamb to OM of jamb.

Interior RO Width To the interior plane of the door and is 1 1/2" (38) (4 3/4" (121) for PX/XP configuration) wider than the interior frame width.

Interior Frame Width: Interior surface of pocket cover to OM of jamb.

Exterior Frame Width: Pocket interlock to OM of jamb.

Exterior RO Width: 1 1/4" (32) wider than exterior frame width.

Exterior Pocket Width: Exterior wall RO to Total Rough Opening.

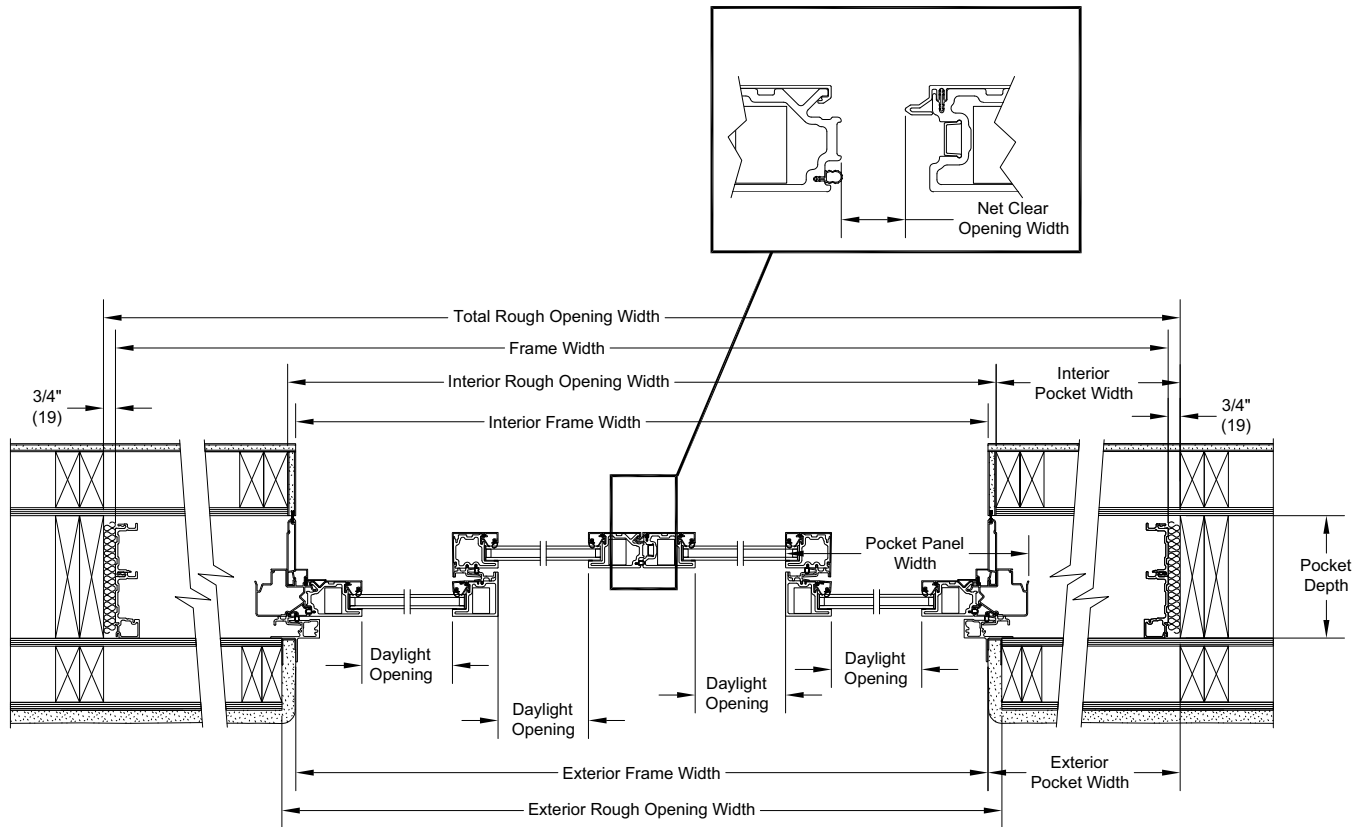
Interior Pocket Width: Interior wall RO to Total Rough Opening.

Pocket Depth: Is measured from the pocket interlock attachment to the exterior surface of the pony wall.

Net Clear Opening Width: The shortest measurement from the surface of the wood interior liner to the surface of the panel edge.

Section Details: Bi-Parting Pocket

Scale: Not to Scale



MMSD-PKT - PXX-XXP

Description of Measurements Used:

Total RO Width: Is 1 1/2" (38) wider than Frame OM.

Frame OM Width: OM of Jamb to OM of Jamb.

Interior RO Width To the interior plane of the door and is 1 1/2" (38) (8" (203) for PX-XP configuration) wider than the interior frame width.

Interior Frame Width: Interior surface of pocket cover to interior surface of pocket cover.

Exterior Frame Width: Pocket interlock to pocket interlock.

Exterior RO Width: 1" (32) wider than exterior frame width.

Exterior Pocket Width: Exterior Wall RO to Total Rough Opening.

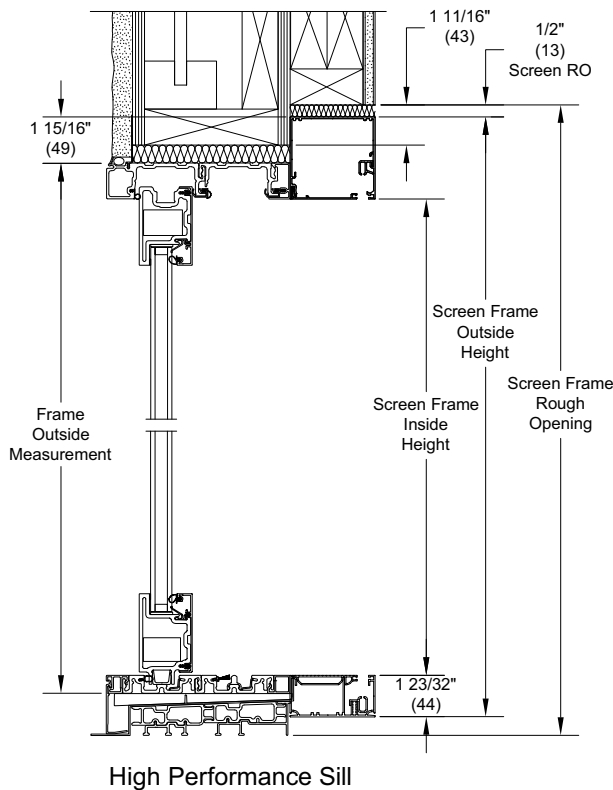
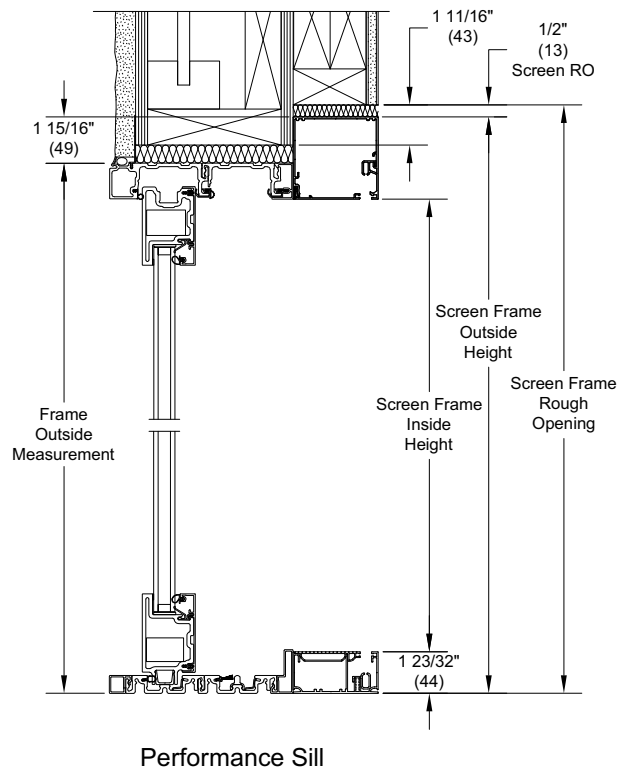
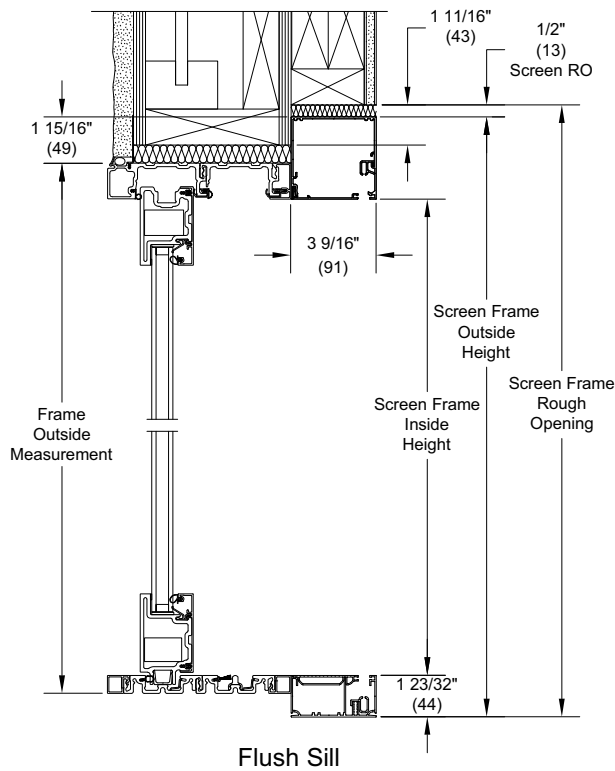
Interior Pocket Width: Interior Wall RO to Total Rough Opening.

Pocket Depth: Is measured from the pocket interlock attachment to the exterior surface of the pony wall.

Net Clear Opening Width: The shortest measurement from the surface of the panel edge to the surface of the astragal.

Sill Details - Stacked and Pocket Units with Screen

Scale: Not to Scale



Description of Measurements Used:

Frame Outside Measurement: Bottom of sill to top of the door

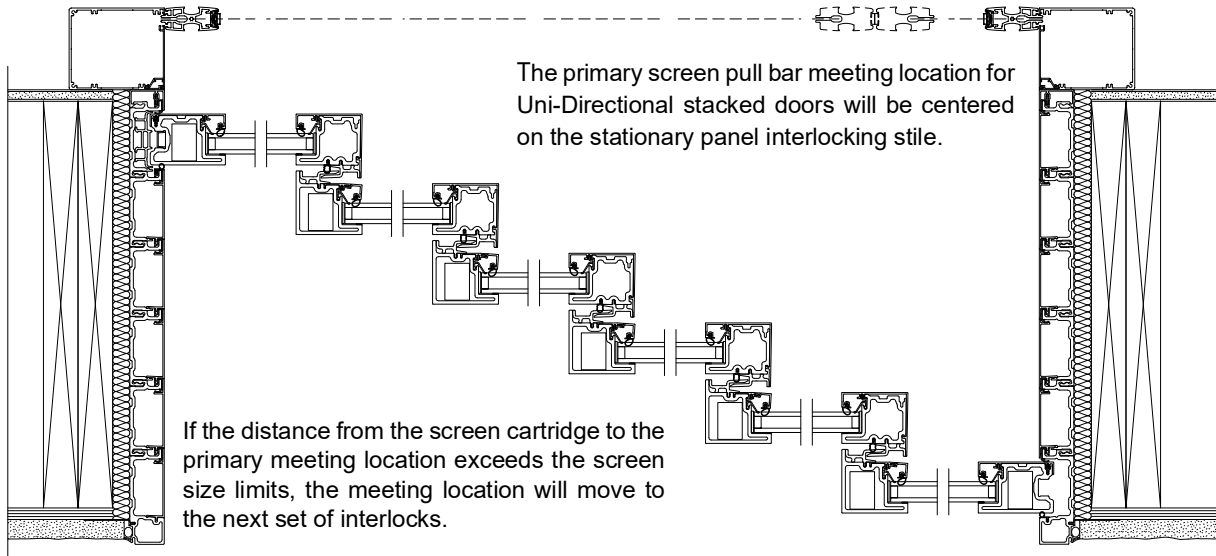
Screen Frame Outside Height: Bottom of screen sill to top of screen head jamb

Screen Frame Inside Height: Top of screen sill to bottom of screen head jambs. Flush with inside door liners

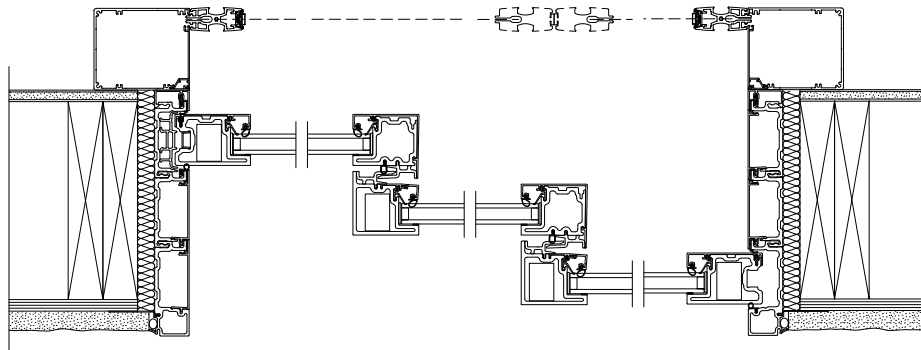
Screen Frame Rough Opening: Bottom of total RO to 1/2" (13) above screen Frame

Section Details: Uni-Directional and Bi-Parting Stacked with Screen

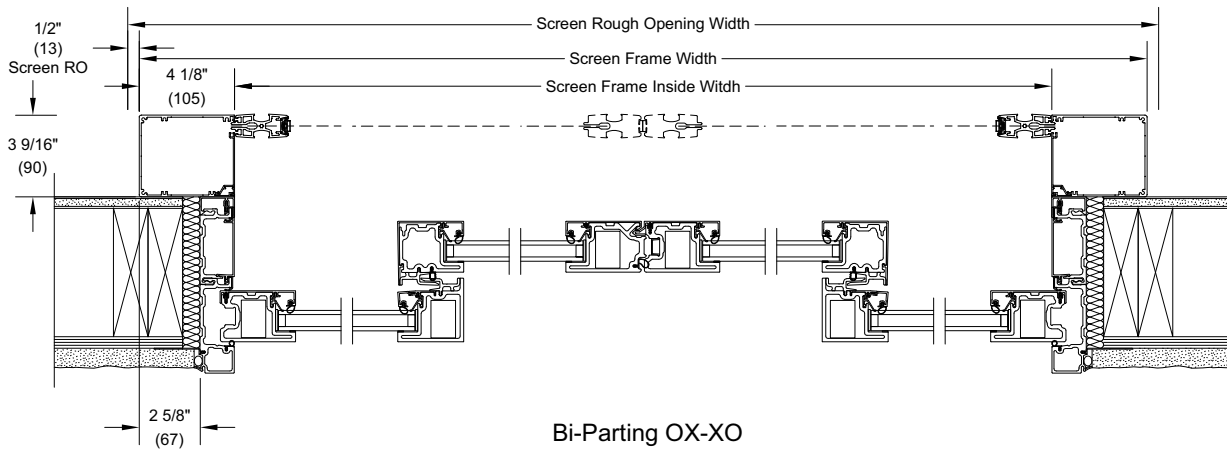
Scale: Not to Scale



Uni-Directional XXXXXO



Uni-Directional XXO



Bi-Parting OX-XO

Description of Measurements Used:

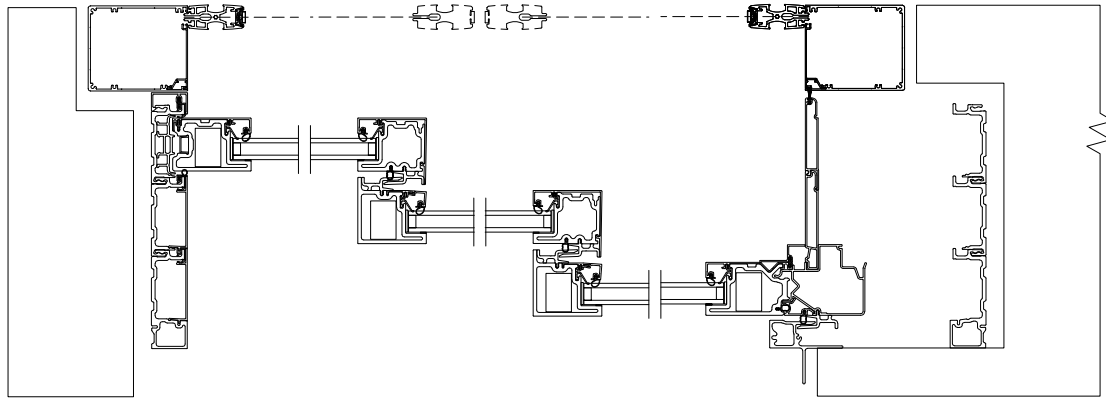
Screen Rough Opening Width: 1" wider than Screen Frame Outside Width

Screen Frame Outside Width: The widest measurement of the screen frame width

Screen Frame Inside Width: Inside measurement of door and screen to interior

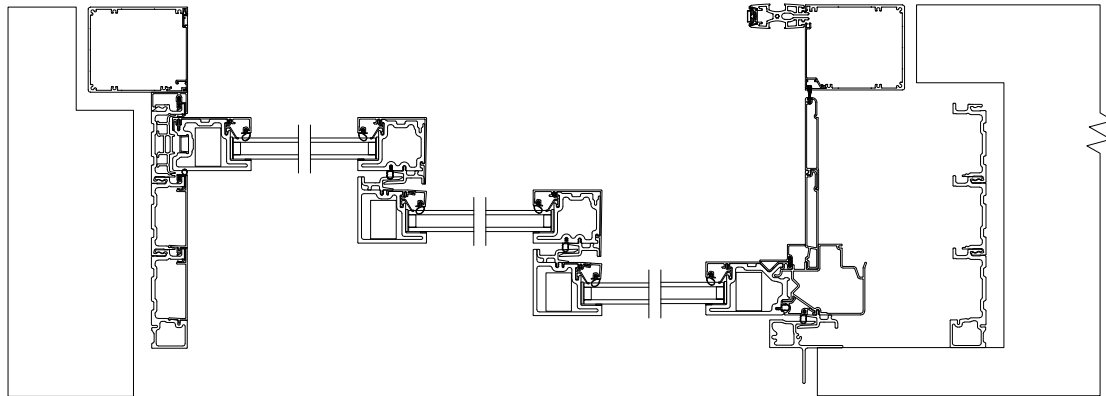
Section Details: Uni-Directional and Bi-Parting Pocket with Screen

Scale: Not to Scale

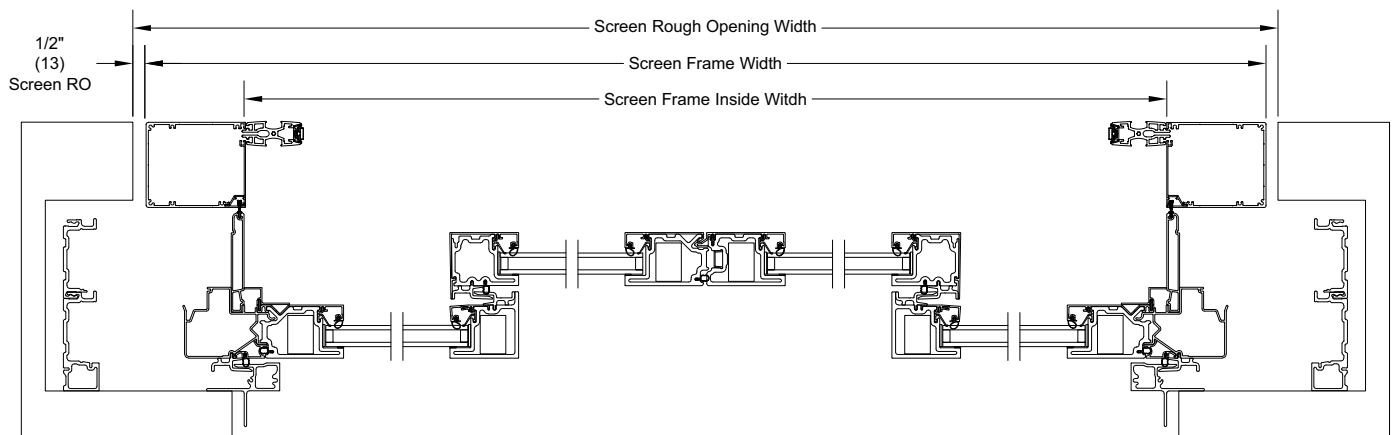


Uni-Directional XXXP

The screen pull bar meeting location for pocket doors will be set at the center of the screen.



Uni-Directional XXXP W/Right Hand Screen



Bi-Parting PXX-XXP

Description of Measurements Used:

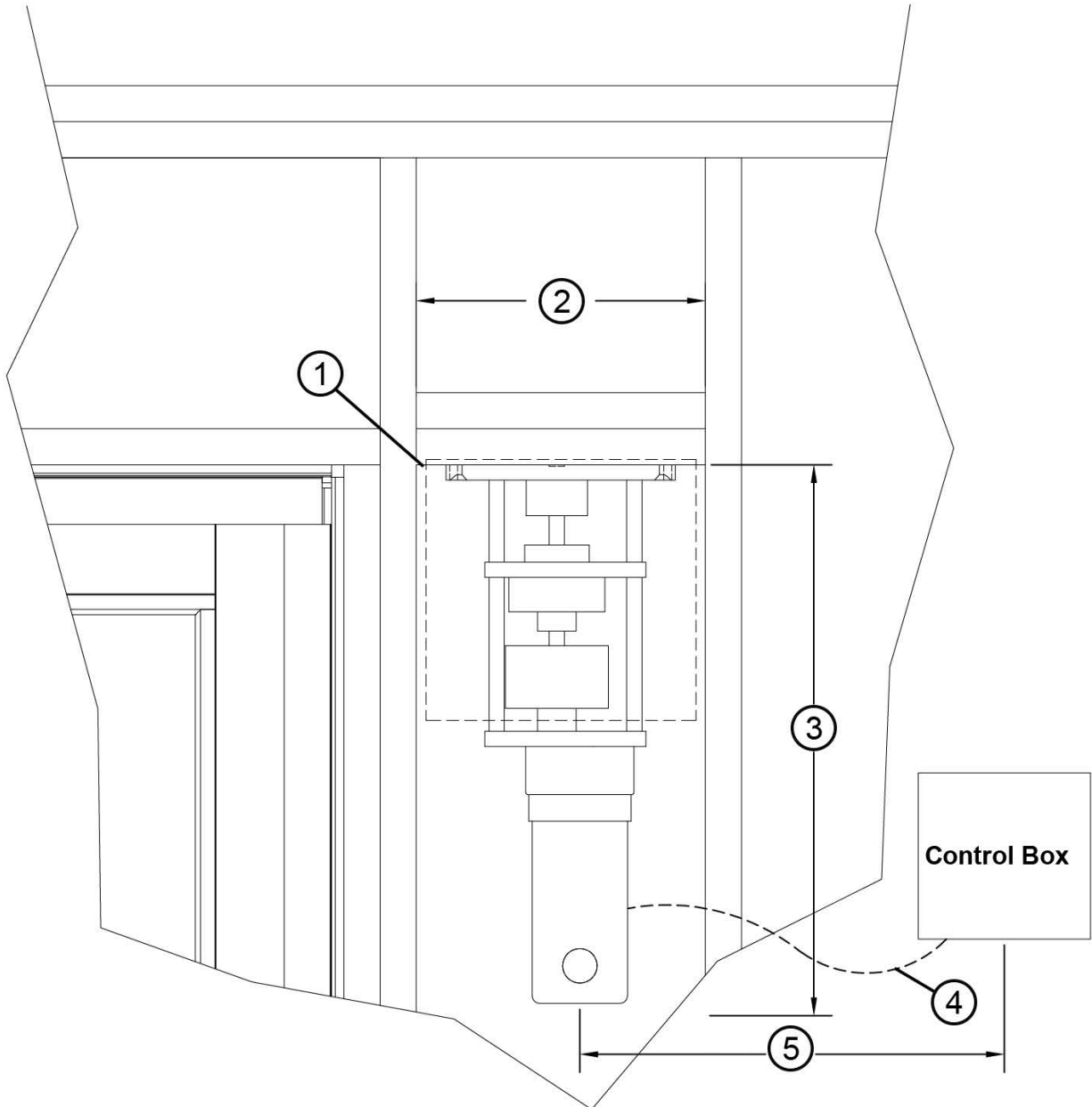
Screen Rough Opening Width: 1" wider than Screen Frame Outside Width

Screen Frame Outside Width: The widest measurement of the screen frame width

Screen Frame Inside Width: Inside measurement of door and screen to interior

Section Details: Uni-Directional and Bi-Parting Stacked with Sliding Door Automatic Control

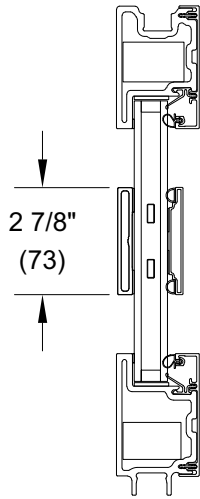
Scale: Not to Scale



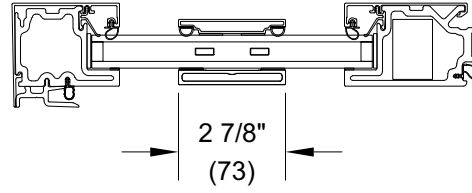
*NOTE: Per local codes, the controller requires a 110VAC power connection.
Not available on Center Stacked units.*

1	Access panel 12" wide minimum x 12" wide minimum
2	12" (305) Opening width minimum
3	24" (610) Opening height minimum
4	14-2 Power and CAT5e cables
5	Controller placed up to 100' away

Standard Divided Lite Option - Simulated Frame Divider

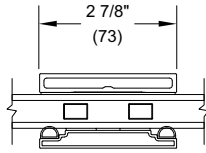


Vertical
15/16" Dual-Pane Glass
Simulated Frame - 2 7/8"

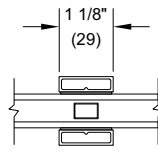


Horizontal
15/16" Dual-Pane Glass
Simulated Frame - 2 7/8"

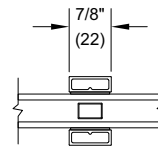
Divided Lite Options



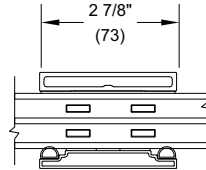
2 7/8" SDL
15/16" Dual Pane



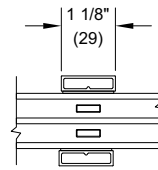
1 1/8" SDL
15/16" Dual Pane



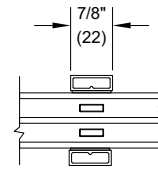
7/8" SDL
15/16" Dual Pane



2 7/8" SDL
1 1/4" Tripane



1 1/8" SDL
1 1/4" Tripane



7/8" SDL
1 1/4" Tripane

NOTE: Due to the inherent qualities of tempered glass, daylight gaps may be seen when using simulated divided lite bars. Daylight gaps could be visible between the internal spacer bar and surface applied bars when viewing from an acute angle to the glass on the following applications:

- Tempered glass over 72" high while using 5/8" SDL bars
- Tempered glass over 91" high while using 7/8" SDL bars.