



Vivid Casement/Awning

Replacement Parts

Specifications and technical data are subject to change without notice.

Numbers listed in () parentheses are metric equivalents in millimeters rounded to the nearest whole number.

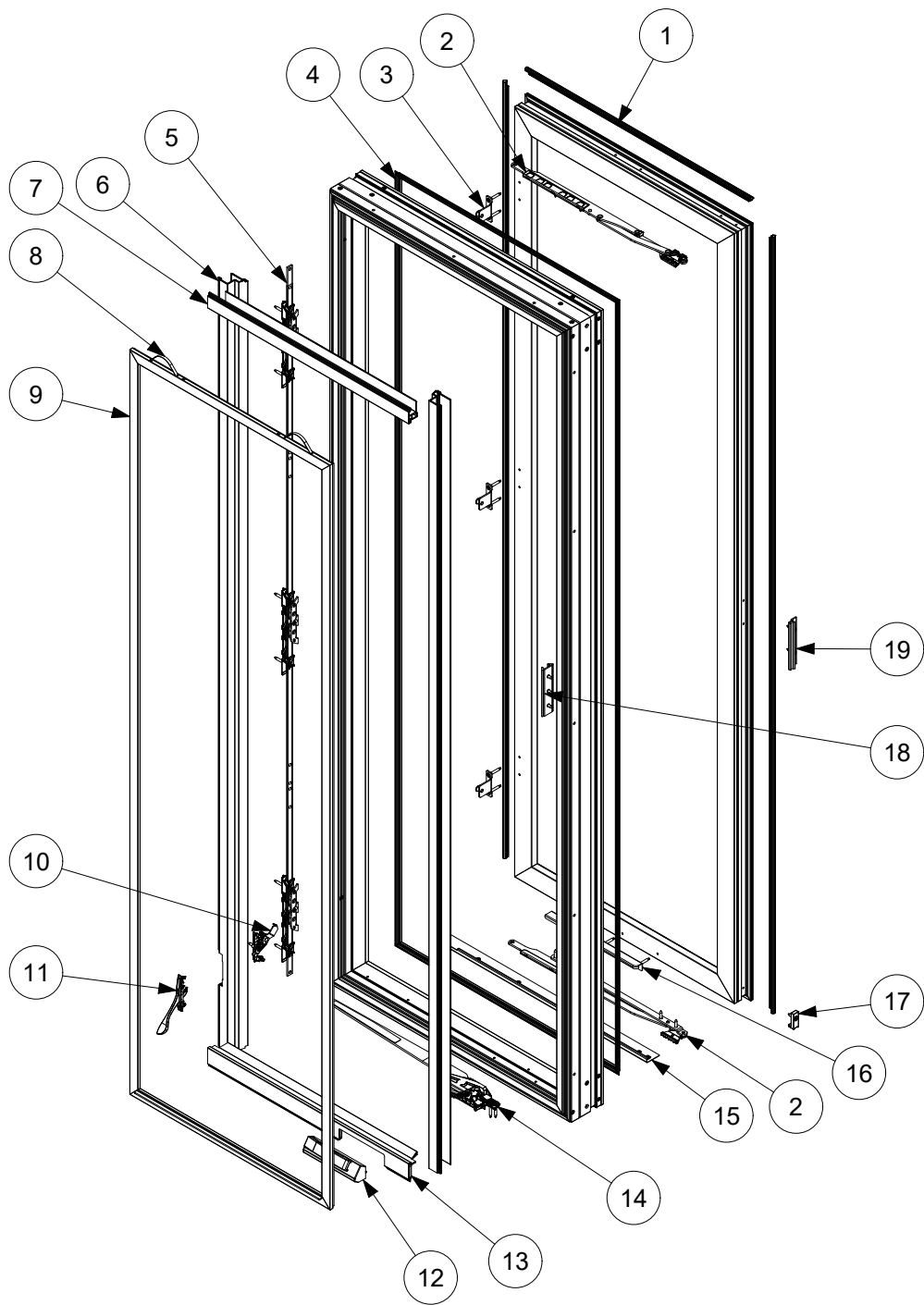
Suggested fasteners are not included and must be ordered separately.

Illustrations are not to scale.

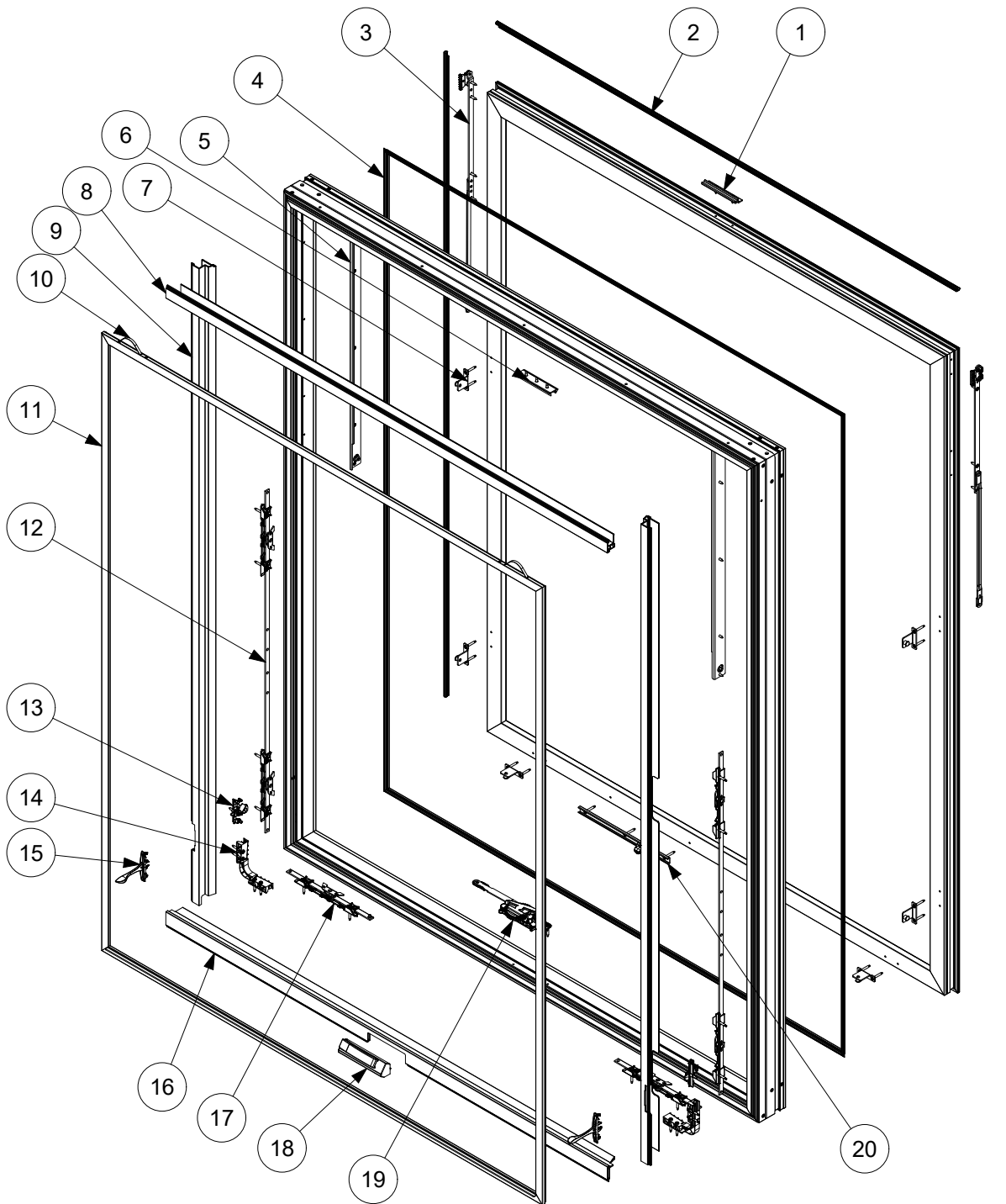
Contents

Product History.....	2
Part Identification - Casement Operator	3
Part Identification - Awning Operator	4
Part Identification - Casement/Awning Stationary/Picture.....	5
Operators	6
Hinges.....	9
Locking Hardware	11
Miscellaneous Parts	16
WOCD Parts.....	17
Fiberglass Reinforced Composite - Configured Parts in OMS.....	18
Vinyl Parts.....	19
Weather Strip - Configured Parts in OMS.....	20
Frame Replacement - Configured Part in OMS	21
Sash Replacement - Configured Part in OMS	22
Screen Replacement - Configured Part in OMS.....	23
Screen Parts	24

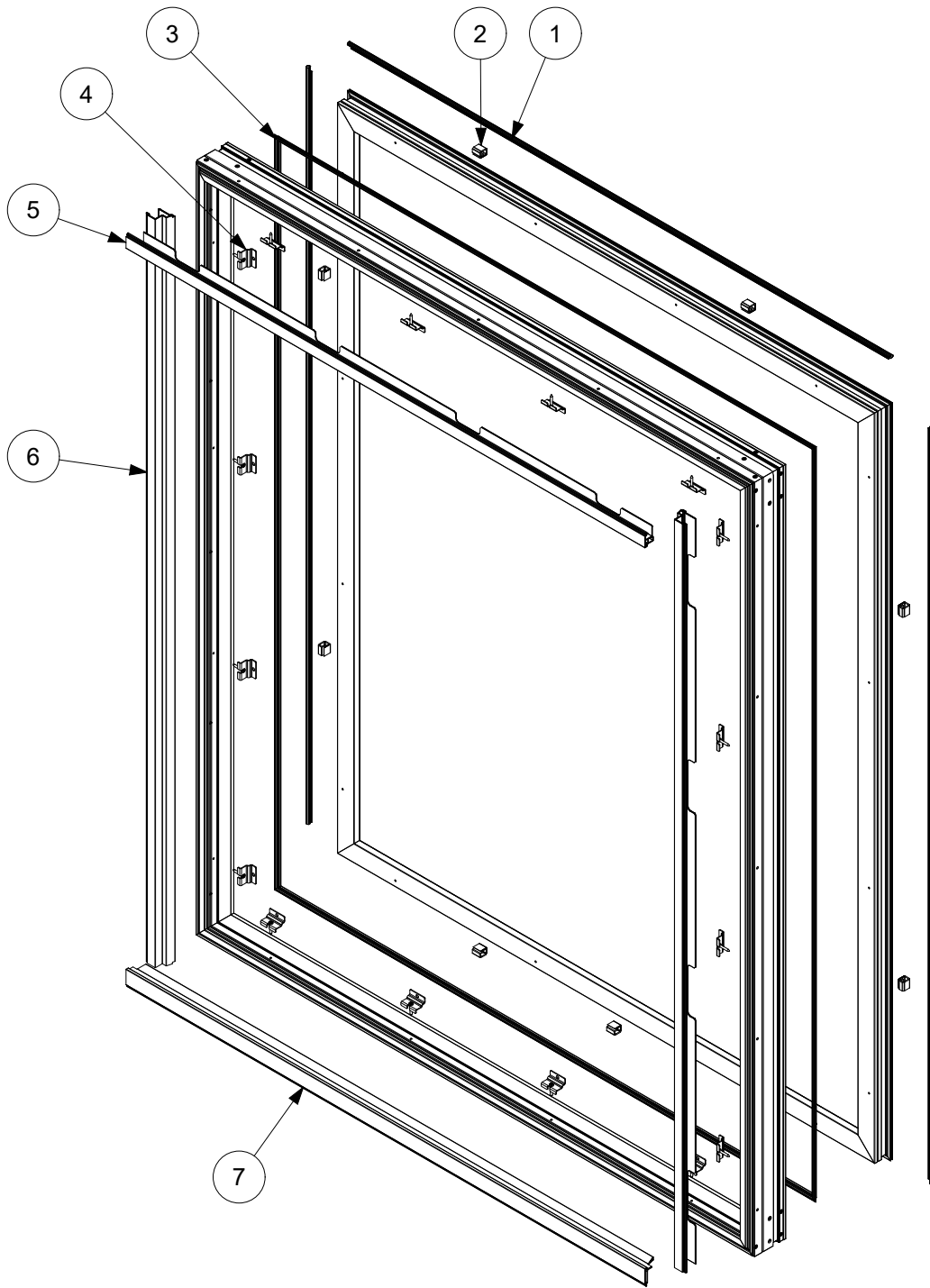
Produced	Unit Type	Features and Changes
2025	Casement/Awning	09/29/2025: Introduced Vivid Casement and Awning.



1. Sash Weather Strip, V147
2. Hinge Arm, Casement
3. Keeper
4. Frame Weather Strip, V03534
5. Tie Bar
6. Jamb Cover, H1062
7. Head Jamb Cover, H1063
8. Leaf Spring
9. Screen (Extruded screen shown)
10. Lock Base Assembly
11. Lock Handle and Handle Assembly
12. Crank Handle Assembly
13. Sill Cover, H1061
14. Single Arm Operator, Casement
15. Hinge Track, Casement
16. Operator Track, Casement
17. Hinge Support, Casement
18. Frame Snubber, A04094
19. Sash Snubber, A04095



1. Sash Snubber, A04094
2. Sash Weather Strip, V147
3. Hinge Arm, Awning
4. Frame Weather Strip, V03534
5. Hinge Track, Awning
6. Frame Snubber, A04095
7. Keeper
8. Head Jamb Cover, H1063
9. Jamb Cover, H1062
10. Leaf Spring
11. Screen (Extruded screen shown)
12. Tie Bar, Awning
13. Lock Base Assembly
14. ATC Lock Assembly
15. Lock Handle and Handle Assembly
16. Sill Cover, H1061
17. Sill Lock, Awning
18. Crank Handle Assembly
19. Single Arm Operator, Awning
20. Operator Track and Pivot Slide



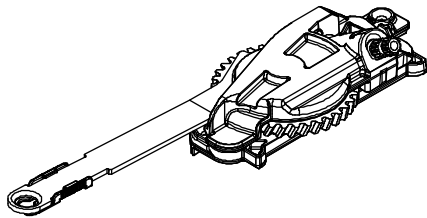
1. Weather Strip, Sash, V147
2. Stationary Sash Block, V1613
3. Weather Strip, Frame, V3534
4. Stationary Bracket
5. Head Jamb Cover, H1063
6. Jamb Cover, H1062
7. Sill Cover, H1061

Single Arm Operator

Awning

Length	Color	PN
5"	E-Gard	10816287
	Stainless Steel	10826287
8.5"	E-Gard	10816280
	Stainless Steel	10826280
12"	E-Gard	10816285
	Stainless Steel	10826285

Suggested Fastener	SS PN
4 - #8-18 x 1 1/4" Type A/TEK2, Phillips flat head screw	11801806

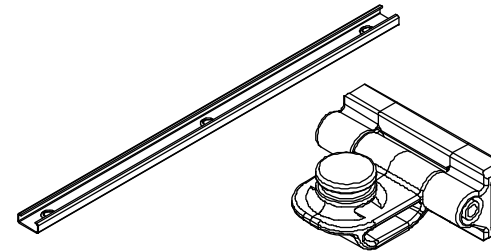


Operator Track and Pivot Slide

Awning

Length	Color	PN
5"	Stainless Steel	10826286
8.5"		10826289
12"		10826284

Suggested Fastener	SS PN
3 (2 for 5") - #8-18 x 1 1/4" Type A/TEK2, Phillips flat head screw	11801806

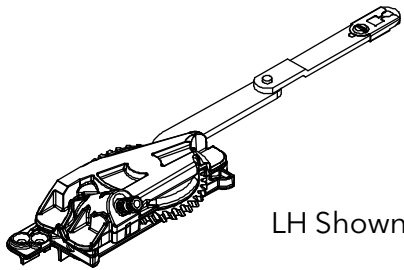


Dyad Operator

Casement

Color	LH PN	RH PN
E-Gard	10816298	10816299
Stainless Steel	10826298	10826299

Suggested Fastener	SS PN
4 - #8-18 x 1 1/4" Type A/TEK2, Phillips flat head screw	11801806



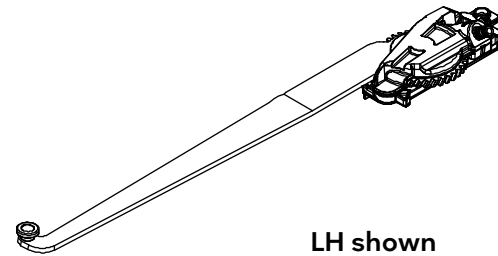
LH Shown

Single Arm Operator

Casement

Length	Color	LH PN	RH PN
10"	E-Gard	10816290	10816291
	Stainless Steel	10826290	10826291
14"	E-Gard	10816292	10816293
	Stainless Steel	10826292	10826293
18"	E-Gard	10816294	10816295
	Stainless Steel	10826294	10826295

Suggested Fastener	SS PN
4 - #8-18 x 1 1/4" Type A/TEK2, Phillips flat head screw	11801806



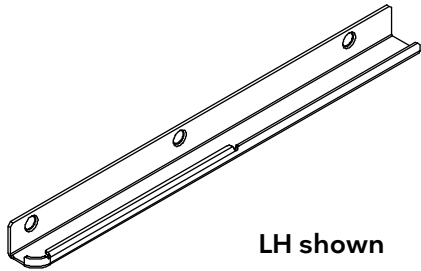
LH shown

Operator Track

Casement

Length	Color	LH PN	RH PN
9"	E-Gard	10816343	10816344
	Stainless Steel	10826343	10826344

Suggested Fastener	SS PN	AF PN
3 - #8-18 x 1 1/4" Type A/TEK2, Phillips flat head screw	11801806	11801906

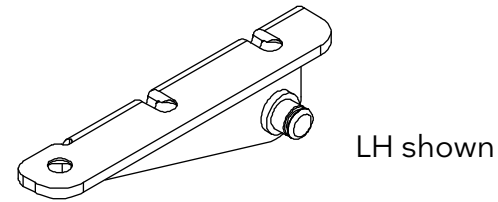


Stud Bracket, Dyad Operator

Casement

Color	LH PN	RH PN
E-Gard	10816300	10816301
Stainless Steel	10826300	10826301

Suggested Fastener	SS PN
3 - #8-18 x 1 1/4" Type A/TEK2, Phillips flat head screw	11801806

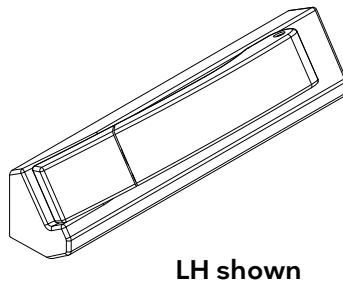


Crank Handle Assembly

Awning/Casement

Color	LH PN*	RH PN
Stone White	10813451	10813452
Satin Nickel	10813449	10813450
Matte Bronze	10813447	10813448
Matte Black	10813445	10813446

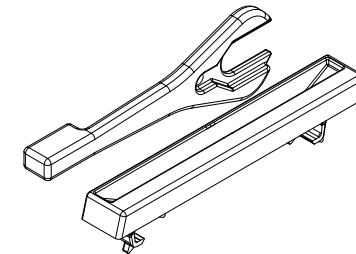
*Use LH for awning



Lock Cover and Handle Assembly

Awning/Casement

Color	PN
Stone White	10813438
Satin Nickel	10813437
Matte Bronze	10813436
Matte Black	10813435

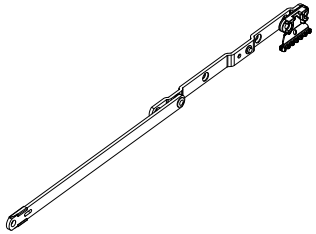


Hinge Arm

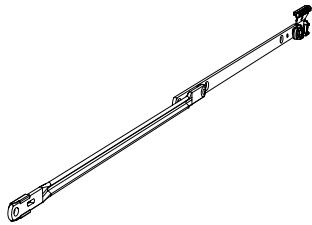
Awning

Length	Color	LH PN	RH PN
18" arm	Stainless Steel	10816412	10826413
26" arm		10816416	10826417

Suggested Fastener	SS PN
4 - #8-15 x 3/4" Type A-17, full thread screw	11805321



18" Hinge Arm



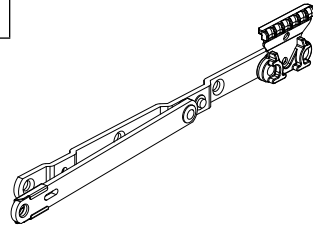
26" Hinge Arm

Non-Wash Mode, Hinge Arm

Casement, Awning

Length	Color	LH PN	RH PN
10" arm	E-Gard	10816408	10816409
	Stainless Steel	10826408	10826409

Suggested Fastener	SS PN
4 - #8-15 x 3/4" Type A-17, full thread screw	11805321



10" Hinge Arm

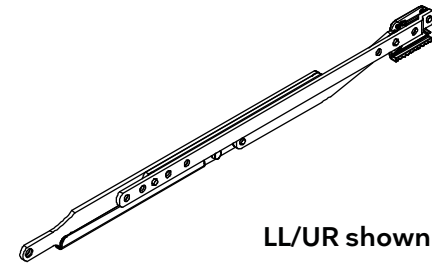
Hinge Arm

Casement

UL/LR = Upper Left / Lower Right
 LL/UR = Lower Left / Upper Right
 (as viewed from exterior)

Length	Color	Handing	PN
18" arm	E-Gard	UL/LR	10816401
		LL/UR	10816400
	Stainless Steel	UL/LR	10826401
		LL/UR	10826400
22" arm	E-Gard	UL/LR	10816405
		LL/UR	10816404
	Stainless Steel	UL/LR	10826405
		LL/UR	10826404

Suggested Fastener	SS PN
4 - #8-15 x 3/4" Type A-17, full thread screw	11805321



LL/UR shown

Hinge Track

Casement, Awning

UL/LR = Upper Left / Lower Right
 LL/UR = Lower Left / Upper Right
 (as viewed from exterior)

Length	Handing	PN
10" track	LH	10816410
	RH	10816411

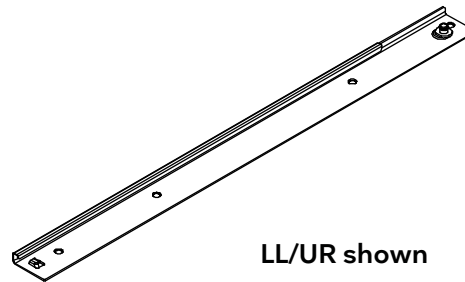
Suggested Fastener	PN
3 - #8 x 1/2" Phillips flat head screw	11800516

Hinge Track

Awning

Length	LH PN	RH PN
18" tracks	10816414	10816415
26" tracks	10816418	10816419

Suggested Fastener	PN
3 - #8 x 1/2" Phillips flat head screw	11800516



LL/UR shown

Hinge Track

Casement

UL/LR = Upper Left / Lower Right
 LL/UR = Lower Left / Upper Right
 (as viewed from exterior)

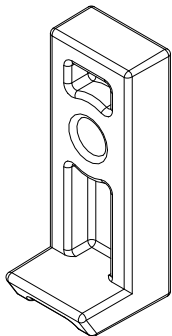
Length	Handing	PN
18" track	UL/LR	10816403
	LL/UR	10816402
22" track	UL/LR	10816407
	LL/UR	10816406

Suggested Fastener	PN
3 - #8 x 1/2" Phillips flat head screw	11800516

Hinge Support

Casement

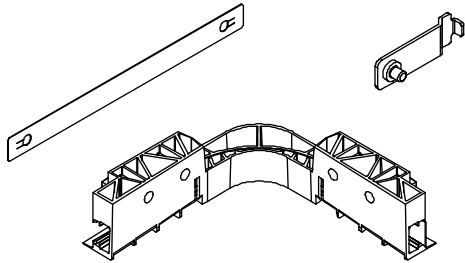
Color	PN
Black	11803158



ATC (Around the Corner) Lock Assembly

Awning

PN	Suggested Fastener	SS PN
10501402	4 - #8-18 x 1 1/4" Phillips, Pan Head AB/Tek2, full thread screw (2/ATC)	11801926

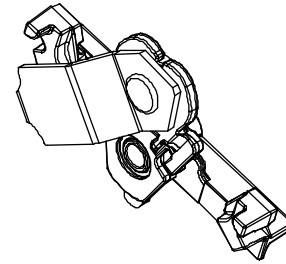


Lock Base Assembly

Non-Handed

Casement, Awning

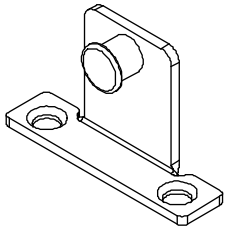
PN	Suggested Fastener	SS PN
10816313	2 - #8-18 x 1 Type A Phillips, Pan head screw	11801926



Keeper

Casement, Awning

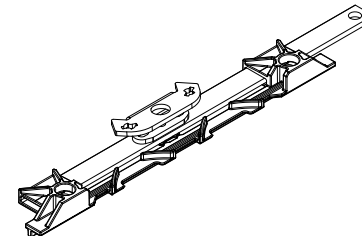
Color	PN	Suggested Fastener	SS PN
E-Gard	10816225	3 (2 for 5") - #8-18 x 1 1/4" Type A/TEK2, Phillips flat head screw	11801806
Stainless Steel	10826225		



Tie Bar

Awning

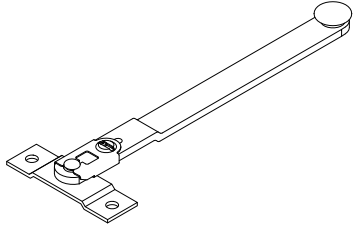
LH PN	RH PN	Suggested Fastener	SS PN
10816248	10816249	2 - #8-18 x 1 Type A Phillips, Pan head screw	11801926



Non-Custodial Sash Limiter, 3" Travel

Casement, Awning

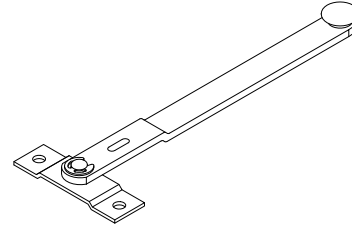
PN	Suggested Fastener	PN
10814817	2 - #8 X 11/16" T20 Torx Tamperproof PanHead Type AB screw	11800701
	1 - T20 Torx Tamperproof bit	02071484



Custodial Sash Limiter, 3" Travel

Casement, Awning

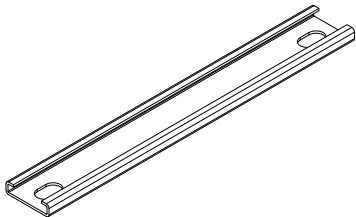
PN	Suggested Fastener	PN
10814829	2 - #8 X 11/16" T20 Torx Tamperproof PanHead Type AB screw	11800701
	1 - T20 Torx Tamperproof bit	02071484



Sash Limiter Track

Casement, Awning

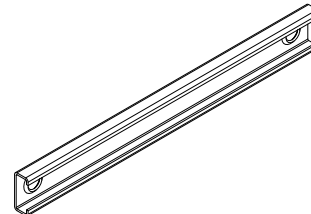
PN	Suggested Fastener	PN
10814828	4 - #8-18 X 1/4", Type AB, Full Thread Screw (2 per limiter)	11863026



Operator Track

Awning

Length	PN	Suggested Fastener	SS PN
5"	10816286	3 (2 for 5") - #8-18 X 1 1/4", Phillips, Pan Head TEK-2 Full Thread Screw	11801806
8.8"	10816289		
12"	10816284		



Non-Custodial Sash Limiter, 3" Travel

NOTE: Casement units must have a frame width of 16" or greater.
Two sash limiters are required for frame height >71.5"

NOTE: Awning units must have a frame height of 16" or greater.
Two sash limiters are required for frame width >53"

Includes:

- 1 – Sash limiter arm assembly
- 1 – Sash limiter track
- 2 – #8 X 3/8 T20 Torx Tamperproof Pan Head Stainless Steel screws
- 2 – #8 X 11/16 T20 Torx Tamperproof Pan Head Type AB Stainless Steel screws
- 1 – Shim, Sash Limiter/WOCD
- 1 – Field installation instructions
- 1 – Sash Limiter Frame Template

PN
11850737

Custodial Sash Limiter, 3" Travel

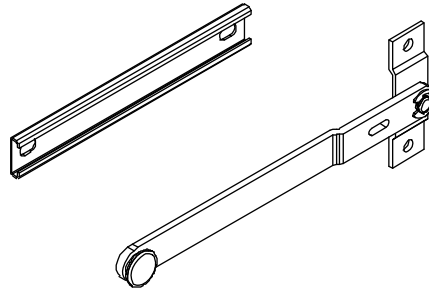
NOTE: Casement units must have a frame width of 16" or greater.
Two sash limiters are required for frame height >71.5"

NOTE: Awning units must have a frame height of 16" or greater. Two sash limiters are required for frame width >53"

Includes:

- 1 – Sash limiter arm assembly, Custodial
- 1 – Sash limiter track
- 2 – #8 X 3/8 T20 Torx Tamperproof Pan Head Stainless Steel screws
- 2 – #8 X 11/16 T20 Torx Tamperproof Pan Head Type AB Stainless Steel screws
- 1 – T20 Torx Tamperproof bit
- 1 – Shim, Sash Limiter/WOCD
- 1 – Field installation instructions
- 1 – Sash Limiter Frame Template

PN
11850738



When ordering a tie bar, specify:

1. Type of unit;
2. frame size;
3. part number;
4. description.

Awning		
Number of Lock Points	PN	Tie Bar Length
1	10816331 (LH)	10"
1	10816332 (RH)	10"
1	10816333 (LH)	12"
1	10816336 (RH)	12"
1	10816334 (LH)	14"
1	10816337 (RH)	14"
1	10816335 (LH)	16"
1	10816338 (RH)	16"
2	10816328	26 1/2"
2	10816329	32 1/2"
2	10816330	38 1/2"

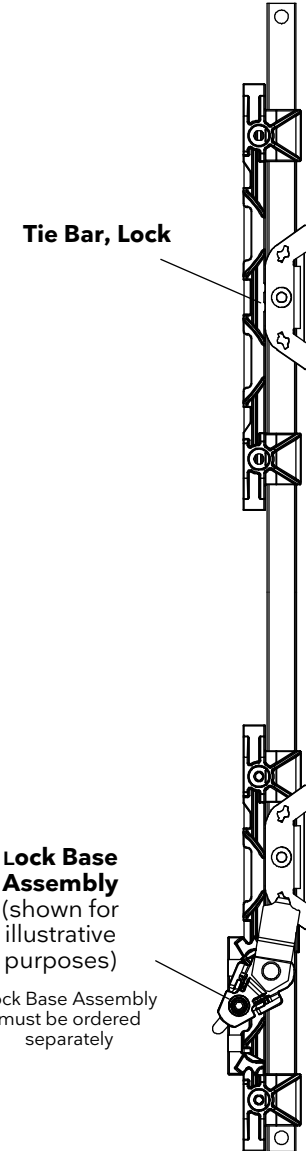
Suggested Fastener	SS PN
#8-18 x 1 1/4" Phillips, Pan Head AB/Tek2, full thread screw	11801926
10", 12", 14", 16" use 2 screws	
26 1/2", 32 1/2" 38 1/2" use 4 screws	

Casement		
Number of Lock Points	PN	Tie Bar Length
2	10816317	23 1/2"
2	10816320	41 1/2"
3	10816339	47 1/2"
3	10816340	53 1/2"
3	10816324	59 1/2"
3	10816325	65 1/2"
3	10816326	71 1/2"
3	10816327	79 1/2"

Suggested Fastener	SS PN
#8-18 x 1 1/4" Phillips, Pan Head AB/Tek2, full thread screw	11801926
23 1/2", 41 1/2" use 4 screws	
47 1/2", 53 1/2", 59 1/2", 65 1/2" 71 1/2", 79 1/2" use 6 screws	

Awning and Casement		
Number of Lock Points	PN	Tie Bar Length
1	10816315 (RH)	7 1/2"
1	10816314 (LH)	7 1/2"
1	10816316	10"
2	10816318	29 1/2"
2	10816319	35 1/2"

Suggested Fastener	SS PN
#8-18 x 1 1/4" Phillips, Pan Head AB/Tek2, full thread screw	11801926
7 1/2", 10" use 2 screws	
29 1/2", 35 1/2" use 4 screws	



Lock Base Assembly must be ordered separately

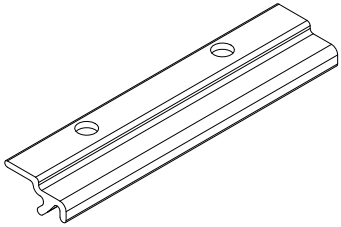
Sash Snubber

A04094

Casement, Awning

Length	PN
4" (102)	11001905

Suggested Fastener	PN
2 - #8-15 x 3/4" Type A-17, full thread screw	11805321



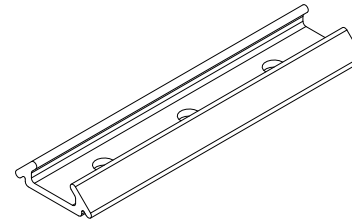
Frame Snubber

A04095

Casement, Awning

Length	PN
4" (102)	11001119

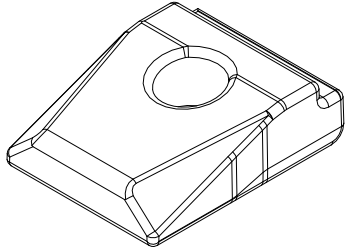
Suggested Fastener	PN
3 - #8 x 1/2" Phillips flat head screw	11800516



Sill Ramp

Casement

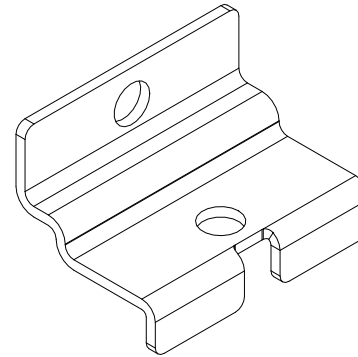
PN	Suggested Fastener	PN
11801095	1 - #8 x 1/2" Phillips flat head screw	11800516



Stationary Bracket

Casement Picture

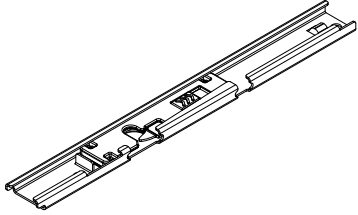
PN	Suggested Fastener	PN
11860635	1 - #8-18 x 1 1/4" Type A/Tek-2 screw	11801806
	1 - #8-18 x 1" Type A, Phillips Pan Head, full thread screw	11808055



WOCD Frame Track, Self Locating

Casement

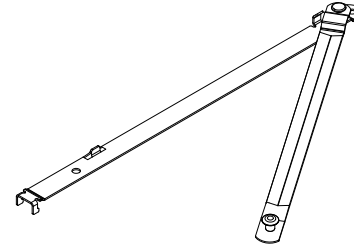
Type A/LH	Type B/RH	Suggested Fastener	PN
11863022	11863023	2 - #8-18 X 1/4", Type AB, Full Thread Screw	11863026



WOCD Sash Arm, Self Locating

Casement

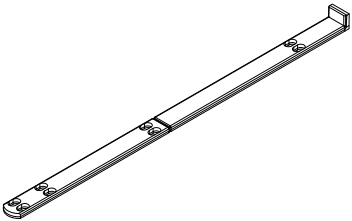
Type A/LH	Type B/RH	Suggested Fastener	PN
11863018	11863019	3 - #8 x 1/2" Phillip Pan Head Screw	11800532



WOCD/Limiter Self Locating Shim

Casement

PN
11801658



WOCD Kits

Casement

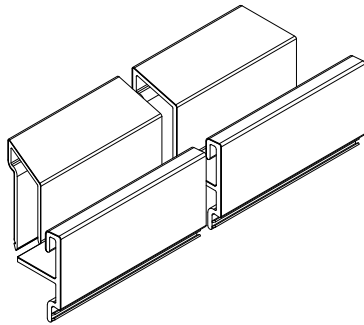
Includes:

- 1 - WOCD Frame Template
- 1 - WOCD Sash Arm, Self Locating
- 1 - WOCD Frame Track, Self Locating
- 1 - WOCD Limiter Self Locating Shim
- 2 - #8 x 1/4" Type AB, Full Thread screw
- 3 - #8 x 1/2" Phillips, Type A Thread Forming, 401 Stainless Steel screw
- 1 - Instruction

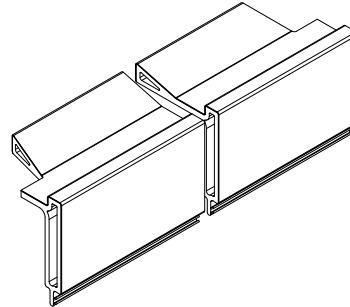
Type A/LH	Type B/RH
11810369	11810370

Ordering specifications for Configured Parts in OMS:

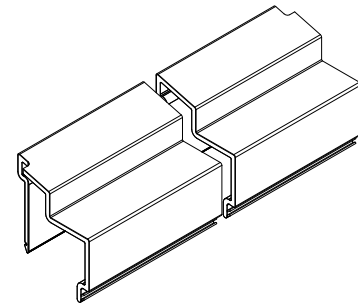
1. Product
2. Unit type
3. Handing
4. Component
5. Exterior and interior color
6. Application type (full frame or insert)
7. Unit size (call number, rough opening or frame size)
8. Location (from exterior)
 - a. top
 - b. sill
 - c. left
 - d. right



Head Jamb Cover, H1063



Sill Cover, H1061



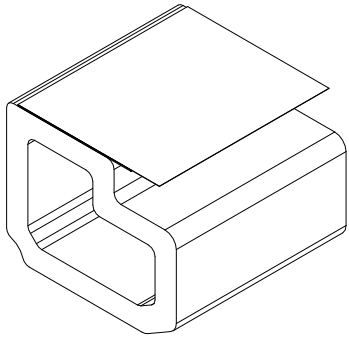
Jamb Cover, H1062

Stationary Sash Block

V1613

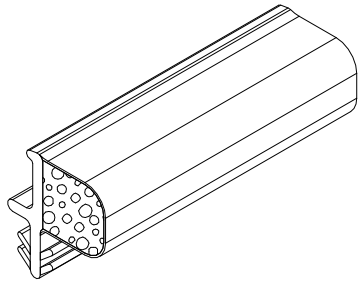
Casement

PN
10500750

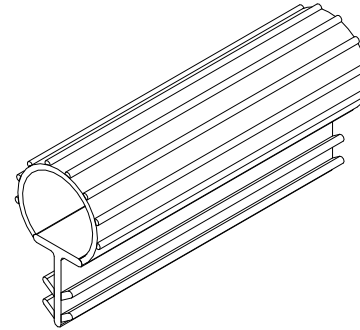


Ordering specifications for Configured Parts in OMS:

1. Product
2. Unit type
3. Handing
4. Component
5. Exterior and interior color
6. Application type (full frame or insert)
7. Unit size (call number, rough opening or frame size)
8. Location (from exterior)
 - a. top
 - b. sill
 - c. left
 - d. right



Frame Weather Strip, V03468



Sash Weather Strip, V147

Ordering specifications for Configured Parts in OMS:

1. Product
2. Unit type
3. Handing
4. Component
5. Exterior and interior color
6. Application type (full frame or insert)
7. Unit size (call number, rough opening or frame size)
8. Jambs
9. Installation method

For Frame Replacement please refer to OMS Configured Parts

Ordering specifications for Configured Parts in OMS:

1. Product
2. Unit type
3. Handing
4. Component
5. Application type (full frame or insert)
6. Unit size (call number, rough opening or frame size)
7. Exterior and interior color
8. Glazing/Divided lite option
9. Jambs
10. Window Opening Control Device (WOCD) on existing unit

Sash Sizes for Casement and Awning

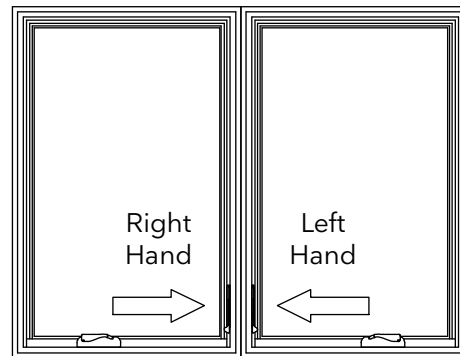
Daylight Opening to Sash OM

Daylight Width + $4 \frac{7}{32}$ " = OM Width of Sash

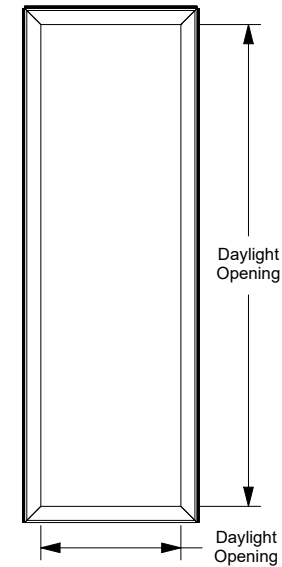
Daylight Height + $4 \frac{7}{32}$ " = OM Height of Sash

NOTE: Sash is not reglazable; glass replacement will require a new sash.

NOTE: Replacement sash are marked for hardware application (hardware not included).



Interior View shown



Casement (shown) Interior View

NOTE: Daylight opening is the measurement of visible glass.

Ordering specifications for Configured Parts in OMS:

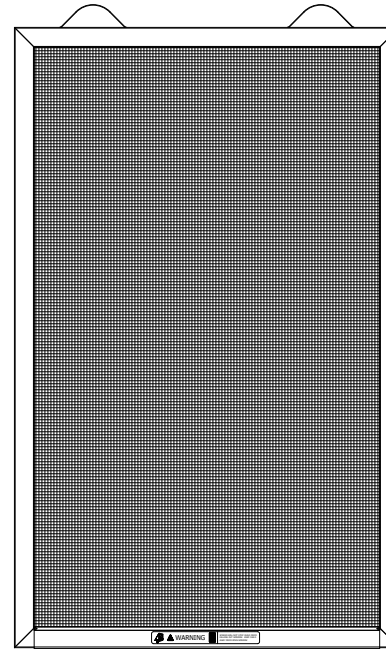
1. Product
2. Unit type
3. Handing
4. Component
5. Application type (full frame or insert)
6. Unit size (call number, rough opening or frame size)
7. Screen type
8. Screen color

Daylight Opening to OM of Screen

Daylight Opening is the measurement of visible glass

Daylight Width + 1 45/64" = OM Width of Screen

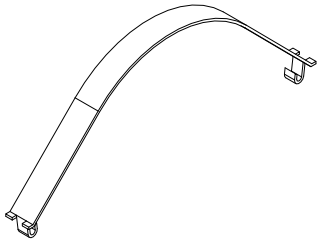
Daylight Height + 1 15/32" = OM Height of Screen



Extruded screen, interior view

Leaf Spring

PN
313453



Pile Weather Strip

Length	Color	PN
Specify L/F	Gray	11406006

