

Ultimate MultiSlide Door

Unit Features.....	1
Standard Divided Lite Option	5
Optional Interior Square Simulated Divided Lite	6
Uni-Directional and Bi-Parting Stacked Standard Unit Measurements	7
Uni-Directional and Bi-Parting Pocket Standard Unit Measurements	9
Certified Sizes and Ratings.....	12
Minimum and Maximum Guidelines	14
Net Clear Openings: Uni-Directional and Bi-Parting Stacked Units	17
Net Clear Openings: Uni-Directional and Bi-Parting Pocket Units	19
Standard Sizes and Configurations (Stacked)	21
Standard Sizes and Configurations (Pocket)	22
Sill Details: Flush and Performance - Stacked and Pocket Units.....	23
Sill Details: High Performance - Stacked and Pocket Units	24
Operating Configurations: Uni-Directional Stacked.....	25
Operating Configurations: Bi-Parting Stacked.....	26
Operating Configurations: Uni-Directional Pocket.....	27
Operating Configurations: Bi-Parting Pocket.....	28
Section Details: Bi-Parting and Uni-Directional Stacked.....	29
Section Details: IZ3 - Bi-Parting and Uni-Directional Stacked.....	30
Section Details: Center Stacked - XOX.....	31
Section Details: Uni-Directional Pocket.....	32
Section Details: Bi-Parting Pocket.....	33
Sill Details - Flush and Performance - Stacked and Pocket Units with Screen.....	34
Sill Details - High Performance - Stacked and Pocket Units with Screen	35
Section Details: Uni-Directional and Bi-Parting Stacked with Screen	36
Section Details: Center Stacked with Screen - XOX.....	37
Section Details: Uni-Directional and Bi-Parting Pocket with Screen	38
Section Details: Uni-Directional and Bi-Parting Stacked with Sliding Door Automatic Control	39
Section Details: Corner Door.....	40

Unit Features

- Stacked Configurations: All panels are contained within the frame. At least one panel is stationary with bi-parting doors having two stationary panels. When open, operating panels stack over the stationary panels. (available with Corner Door)
- Pocket Configurations: All panels operate with at least one pocket. Bi-parting doors will have two pockets. When opened, all panels are concealed within the pocket. (available with Corner Door)
- All door units are shipped knocked-down (KD).

Frame:

- Frame is 1 31/32" (50) thick.
- Frame consists of jamb (s), head jamb, and sill tracks.
- Standard is treated non finger-jointed bare pine to the interior and clad extruded aluminum to the exterior. Frame core is Ultrex with extruded Aluminum connectors.
- Alternative wood species include Mahogany, Mixed Grain Douglas Fir (Frame Only), Vertical Grain Douglas Fir (Frame and Panel), Cherry and White Oak.

Sill:

- Three sill options are available: Standard Flush Sill, Performance, High Performance (not available on Corner Doors). All sill types require a pan to be installed on site and must equal the height of the interior sill liner.
- Sill material is glass filled polyurethane and is available in Ebony. Aluminum sill liners and track covers are color matched to sill.
- Standard Flush Sill is designed to be installed onto any floor foundation; has interlocking tracks to ensure parallelism for multiple tracks. Nominal sill height is 3/4" (19) and nominal width is 3 1/64" (77) for each sill track.
- High Performance Sill uses the Flush Sill with an exterior liner and sloped shim system. The sill has a nominal height of 2 7/16" (62) and a nominal width of 3 1/64" (77) for each sill track. A wood sloped wedge with counter shims will be provided to allow for water drainage.
- Performance Sill uses the Flush Sill with an interior liner. The sill has a nominal height of 1 13/16" (46) and nominal width is 3 1/64" (77) for each sill track.
- Sills included an exterior weep for water, weeps must remain clear and free of obstruction.

Panel:

- 2 1/4" (57) thick-nominal with doweled fastened corners.
- Stiles and Rails are 4 3/4" (121).
- Stiles are LVL (laminated veneer lumber) core with non finger-jointed, bare pine veneer on interior. Preservative treated.
- Rails are finger-jointed/edge glued core with non finger-jointed, bare pine veneer on interior. Preservative treated.
- Wood glazing cap is applied to interior with vinyl glazing bead. Standard profile is Ogee with option of Square.

Hardware:

- Each operating panel has a set of stainless steel tandem rollers. Each roller is a tandem configuration that equal four rollers per panel that support the weight of the operating panels during motion.
- Maximum panel weight is 600 pounds with a set of tandem rollers.
- Handle set:
 - Interior Active recessed, mounted handle: Intuitive thumb latch that engage/disengage the multi-point locks of the panel. Also provides a recess finger pull area on the active panel, all handles are non-handed. Default finish is Oil Rubbed Bronze PVD, optional Satin Nickel PVD and Matte Black.
 - Interior Inactive flush mounted handle: Provides a recessed finger pull area on the inactive panel. It differs only from the active handle in that it doesn't have a slide lock actuator.
 - Exterior, recessed pull, non-keyed: Provides a recess to push/pull the primary active and inactive panels to the open or closed position. Handles are non-handed and are not keyed for exterior locking. Keyed lock is not available. Default is Bronze PVD, optional Satin Nickel PVD and Matte Black.
 - Handle positioned lower on units with a frame height size less than 62 3/64" (1576mm)
- Manual Flush Bolt: For bi-parting and Corner Doors only, a brass substrate with brushed chrome finish on trim cover flush bolt. That is at the top edge of the inactive panel, only accessible when the primary panel is open. The flush bolt secures into a strike mounted in the head jamb.
- Panel Edge Pull is a pivotal finger pull that provides a means to pull the panels from the pocket. Applied to the meeting stile edge of the active and inactive panel(s). Available on pocket units only. Corner units receive panel edge pull on active panel only.
- Panel Bumpers: Provides a method of opening multiple operating panels from the active panels. Bumpers are a steel substrate with bronze painted finish and black rubber bumpers.

Weather Strip:

- Color is black to match the sill color. All units are constructed with vinyl weather strip at the panel perimeter and interlocks. Weather Strip exposed to the exterior is UV resistant material.

Unit Features Continued**Glass and Glazing:**

- Glazing seal: Silicone glazed
- Standard glass: Insulating Dual Pane Low E2 with Argon
- Gas Fill: Air or Argon
- Dual-pane insulating glass thickness: 15/16"
- Triple-pane insulating glass thickness: 1 1/4"
- Insulating glass coatings:
 - Low E1
 - Low E2
 - Low E3
 - Low ERS
 - Low ELR
- Available glass types:
 - Laminated
 - Tempered
 - Obscure
- Tints:
 - Bronze
 - Gray
 - Green
 - Reflective Bronze
- Decorative glass options:
 - Tempered Sandblasted
- All glass is of select quality complying with ASTM C 1036. Tempered or Laminated safety glazing per CPSC 16 CFR 1201. Insulating glass is manufactured and tested to pass level ASTM 2190 and is IGCC certified.
- IZ3 has tempered exterior pane
- For additional specialty glazing options, please contact your Marvin representative.

Lock Status Sensor (Optional):

- Refer to **Lock Status Sensor Installation Instructions** for requirements.
- To achieve a closed and locked status, the Lock Status Sensor requires that the door must be closed to depress the anti-slam mechanism so that the door can be manually locked. It allows easy integration with home automation systems using a wireless connection.
 - Requires purchase of secondary transmitter for operation. Marvin will prep for this option. Wired connection not available.
- Wireless Lock Status Sensor is located within the operating panel.
- Sensor Location will always be routed into the door stile, under the lock bar.

Unit Features Continued

Automation (Optional):

- Sliding Door Automatic Control (SDAC) provides motorized panel operation on Marvin's Ultimate Multi-Slide Door. Refer to Site Prep Guide for requirements.
- Home Automation Connectivity is included. It allows easy integration with home automation systems.
- Marvin Control Module: allows cloud control and door monitoring through the Marvin Home app.
- Wall Switch
 - Interior Wall Switch is wired. For wired switch, check with local codes on potential contractor requirements for low voltage networking connections.
 - Interior: 12-in-1 touch screen with programmable background colors
 - Exterior: Wired wall switch with numeric keypad available in Black or White
 - Wired exterior motion sensor will be placed in the head jamb cover adjacent to the primary panel, centered over the primary panel on a unidirectional door or centered over the meeting stiles on a bi-parting door.
 - Optional: wired interior motion sensor
- Motor Location
 - Uni-directional Units - Locking Jamb side
 - Bi-parting Units - Left or Right Hand (from exterior)
- Not available on Center Stacked units.

Abbreviations

- Ultimate MultiSlide Door - UMSD
- Ultimate MultiSlide Stacked Door - UMSD STK
- Ultimate MultiSlide Pocket Door - UMSD PKT
- Ultimate MultiSlide Stacked Corner Door - UMSD STK CNR
- Ultimate MultiSlide Pocket Corner Door - UMSD PKT CNR

Operations

- Door handing is viewed from exterior.

P = Pocket

X = Operating

O = Stationary

L = Left handed bi-parting unit

R = Right handed bi-parting unit

Examples of operating descriptions:

- 4 panels, moving left into a pocket.
 - PXXXX UMSD PKT
- 3 panels, two of which move to left for stacking.
 - OXX UMSD STK
- 6 panels, three moving in each direction into a pocket. The primary panel on the right group of three panels.
 - PXXX-XXXP R UMSD PKT
- 8 panels, with three moving in each direction for stacking. The primary panel is in the left group of four panels.
 - OXXX-XXXO L UMSD STK
- 3 panels on one side stacked, corner, 4 panels on the other side pocket.
 - OXX-C-XXXXP

Unit Features Continued

Configurations:

- Maximum of 3 panels in center stacked units.
- Maximum of 6 panels in uni-directional.
- Maximum of 10 panels for bi-parting and Corner doors.
 - Can mix pocket and stacked configurations on either side of the corner with one exception. Single track pocket units can only be attached to another single track pocket, eg PX-C-XP.
- Break away and operating forces will vary with panel size and panel quantities within a unit.

NOTE: Additional panels are available through special order, but limited by safety, production and shipping capabilities.

Uni-Directional Stacked:

- 2 panel door unit OX / XO
- 3 panel door unit OXX / XXO; XOX
- 4 panel door unit OXXX / XXXO
- 5 panel door unit OXXXX / XXXXO
- 6 panel door unit OXXXXX / XXXXXO
- 2-5 panel configurations available per elevation for Corner Doors

Bi-Parting Stacked:

- 4 panel door unit OX-XO L or R
- 6 panel door unit OXX-XXO L or R
- 8 panel door unit OXXX-XXXO L or R
- 10 panel door unit OXXXX-XXXXO L or R

Uni-Directional Pocket:

- 1 panel door unit PX / XP*
- 2 panel door unit PXX / XXP
- 3 panel door unit PXXX / XXXP
- 4 panel door unit PXXXX / XXXXP
- 5 panel door unit PXXXXX / XXXXXP
- 6 panel door unit PXXXXXX / XXXXXXP
- 2-5 panel configurations available per elevation for Corner doors

Bi-Parting Pocket:

- 2 panel door unit PX-XP L or R*
- 4 panel door unit PXX-XXP L or R
- 6 panel door unit PXXX-XXXP L or R
- 8 panel door unit PXXXX-XXXXP L or R
- 10 panel door unit PXXXXX-XXXXXP L or R

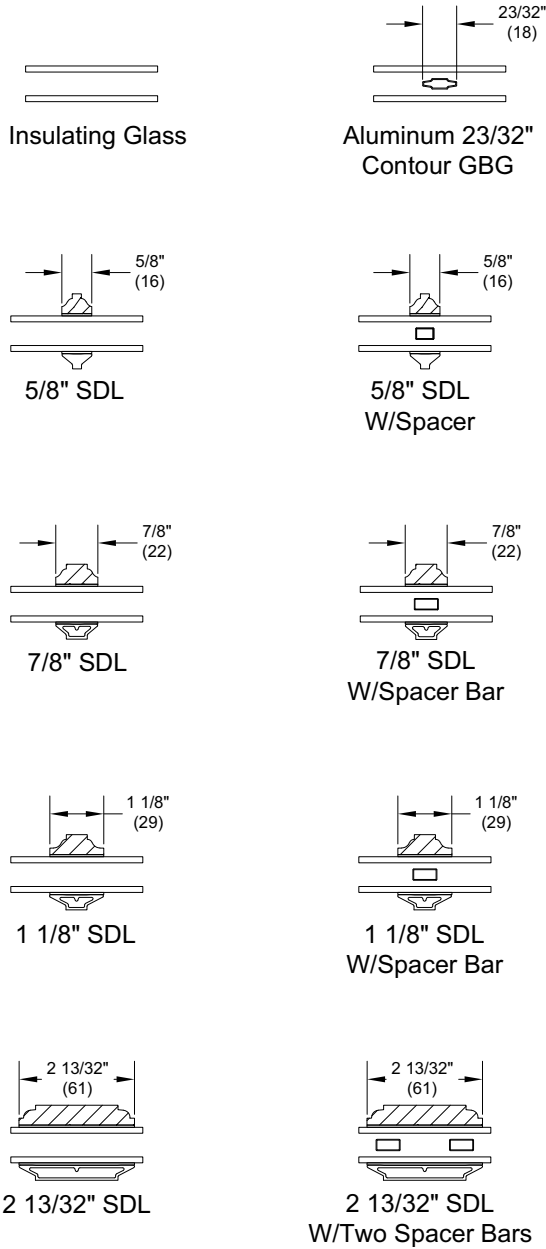
* This configuration is not available with the Performance Sill due to the inability to install the panel from the interior.

NOTE: PX-C-XP is the only corner door configuration with a single panel option.

Interior Screen:

- Retractable Screen SE4
 - Screen Frame color:
 - Standard: White, Bronze, Black, and Clear Anodized.
 - Options: Screen sill will default to the screen color, but screen sills can be any of the three colors.
 - Handle Pull colors: Black and White
- Screen mesh: Charcoal, Vinyl-coated polyester
- Uni-Directional Screen:
 - Open from left to right or right to left
 - Maximum Screen Frame OM Width is 152 17/64" (3868)
 - Not available on bi-parting door
- Bi-Parting Screen:
 - Two screens open from each side and meet together
 - Maximum Screen Frame OM Width is 296 17/64" (7525). Maximum Screen OM Height for all configurations is 125 5/32" (3179)
 - Not available on Corner Doors.

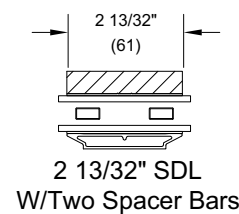
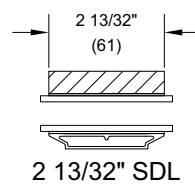
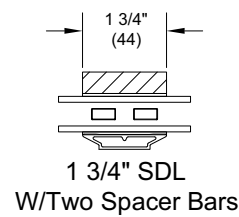
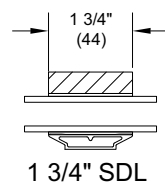
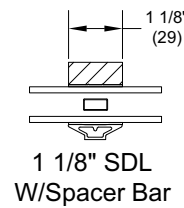
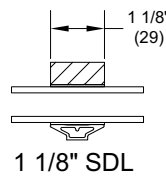
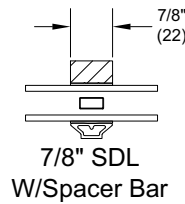
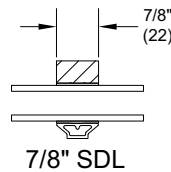
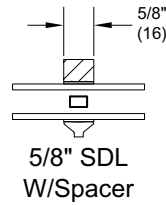
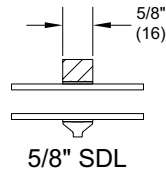
Standard Divided Lite Option



NOTE: Due to the inherent qualities of tempered glass, daylight gaps may be seen when using simulated divided lite bars. Daylight gaps could be visible between the internal spacer bar and surface applied bars when viewing from an acute angle to the glass on the following applications:

- Tempered glass over 72" high while using 5/8" SDL bars
- Tempered glass over 91" high while using 7/8" SDL bars.

Optional Interior Square Simulated Divided Lite



NOTE: Due to the inherent qualities of tempered glass, daylight gaps may be seen when using simulated divided lite bars. Daylight gaps could be visible between the internal spacer bar and surface applied bars when viewing from an acute angle to the glass on the following applications:

- Tempered glass over 72" high while using 5/8" SDL bars
- Tempered glass over 91" high while using 7/8" SDL bars.

Uni-Directional and Bi-Parting Stacked Standard Unit Measurements

Ultimate MultiSlide Door - Stacked Unit Measurements																	
Width																	
Unit Type	CN	Masonry Opening		Rough Opening		Frame Size		Panel OM		Stationary Panel OM		Daylight Opening		Glass Size		Screen OM	
		ft - in	mm	ft - in	mm	ft - in	mm	ft-in	mm	ft-in	mm	ft - in	mm	ft-in	mm	ft - in	mm
XO or OX	6-0	5-7 3/4	(1721)	5-8 1/4	(1733)	5-7 1/4	(1708)	2-11 1/16	(891)	NA	2-1 19/32	(650)	2-2 29/32	(683)	5-11 9/16	(1818)	
	8-0	7-7 3/4	(2330)	7-8 1/4	(2343)	7-7 1/4	(2318)	3-11 1/16	(1195)	NA	3-1 19/32	(955)	3-2 29/32	(988)	7-11 9/16	(2427)	
	10-0	9-7 3/4	(2940)	9-8 1/4	(2953)	9-7 1/4	(2927)	4-11 1/16	(1500)	NA	4-1 19/32	(1260)	4-2 29/32	(1293)	9-11 9/16	(3037)	
	12-0	11-7 3/4	(3549)	11-8 1/4	(3562)	11-7 1/4	(3537)	5-11 1/16	(1805)	NA	5-1 19/32	(1565)	5-2 29/32	(1598)	11-11 9/16	(3647)	
XXO or OXX	9-0	8-2 5/64	(2491)	8-2 37/64	(2504)	8-1 37/64	(2478)	2-11 1/16	(891)	NA	2-1 19/32	(650)	2-2 29/32	(683)	8-5 29/32	(2588)	
	12-0	11-2 5/64	(3405)	11-2 37/64	(3418)	11-1 37/64	(3393)	3-11 1/16	(1195)	NA	3-1 19/32	(955)	3-2 29/32	(988)	11-5 29/32	(3503)	
	15-0	14-2 5/64	(4320)	14-2 37/64	(4333)	14-1 37/64	(4307)	4-11 1/16	(1500)	NA	4-1 19/32	(1260)	4-2 29/32	(1293)	14-5 29/32	(4417)	
	18-0	17-2 5/64	(5234)	17-2 37/64	(5247)	17-1 37/64	(5222)	5-11 1/16	(1805)	NA	5-1 19/32	(1565)	5-2 29/32	(1598)	17-5 29/32	(5331)	
XXXO or OXXX	12-0	10-8 13/32	(3261)	10-8 29/32	(3274)	10-7 29/32	(3249)	2-11 1/16	(891)	NA	2-1 19/32	(650)	2-2 29/32	(683)	11-0 7/32	(3359)	
	16-0	14-8 13/32	(4481)	14-8 29/32	(4493)	14-7 29/32	(4468)	3-11 1/16	(1195)	NA	3-1 19/32	(955)	3-2 29/32	(988)	15-0 7/32	(4578)	
	20-0	18-8 13/32	(5700)	18-8 29/32	(5712)	18-7 29/32	(5687)	4-11 1/16	(1500)	NA	4-1 19/32	(1260)	4-2 29/32	(1293)	19-0 7/32	(5797)	
	24-0	22-8 13/32	(6919)	22-8 29/32	(6932)	22-7 29/32	(6906)	5-11 1/16	(1805)	NA	5-1 19/32	(1565)	5-2 29/32	(1598)	23-0 7/32	(7016)	
XXXXO or OXXXX	15-0	13-2 47/64	(4032)	13-3 15/64	(4044)	13-2 15/64	(4019)	2-11 1/16	(891)	NA	2-1 19/32	(650)	2-2 29/32	(683)	13-6 9/16	(4129)	
	20-0	18-2 47/64	(5556)	18-3 15/64	(5568)	18-2 15/64	(5543)	3-11 1/16	(1195)	NA	3-1 19/32	(955)	3-2 29/32	(988)	18-6 9/16	(5653)	
	25-0	23-2 47/64	(7080)	23-3 15/64	(7092)	23-2 15/64	(7067)	4-11 1/16	(1500)	NA	4-1 19/32	(1260)	4-2 29/32	(1293)	23-6 9/16	(7177)	
	30-0	28-2 47/64	(8604)	28-3 15/64	(8616)	28-2 15/64	(8591)	5-11 1/16	(1805)	NA	5-1 19/32	(1565)	5-2 29/32	(1598)	NA		
XXXXXO or OXXXXX	18-0	15-9 1/16	(4802)	15-9 9/16	(4815)	15-8 9/16	(4789)	2-11 1/16	(891)	NA	2-1 19/32	(650)	2-2 29/32	(683)	16-0 7/8	(4899)	
	24-0	21-9 1/16	(6631)	21-9 9/16	(6644)	21-8 9/16	(6618)	3-11 1/16	(1195)	NA	3-1 19/32	(955)	3-2 29/32	(988)	22-0 7/8	(6728)	
	30-0	27-9 1/16	(8460)	27-9 9/16	(8472)	27-8 9/16	(8447)	4-11 1/16	(1500)	NA	4-1 19/32	(1260)	4-2 29/32	(1293)	NA		
	36-0	33-9 1/16	(10288)	33-9 9/16	(10301)	33-8 9/16	(10276)	5-11 1/16	(1805)	NA	5-1 19/32	(1565)	5-2 29/32	(1598)	NA		
OX-XO	12-0	11-1 17/64	(3385)	11-1 49/64	(3397)	11-0 49/64	(3372)	2-11 1/16	(891)	NA	2-1 19/32	(650)	2-2 29/32	(683)	11-5 3/32	(3482)	
	16-0	15-1 17/64	(4604)	15-1 49/64	(4617)	15-0 49/64	(4591)	3-11 1/16	(1195)	NA	3-1 19/32	(955)	3-2 29/32	(988)	15-5 3/32	(4701)	
	20-0	19-1 17/64	(5823)	19-1 49/64	(5836)	19-0 49/64	(5810)	4-11 1/16	(1500)	NA	4-1 19/32	(1260)	4-2 29/32	(1293)	19-5 3/32	(5920)	
	24-0	23-1 17/64	(7042)	23-1 49/64	(7055)	23-0 49/64	(7030)	5-11 1/16	(1805)	NA	5-1 19/32	(1565)	5-2 29/32	(1598)	23-5 3/32	(7140)	
OXX-XXO	18-0	16-1 59/64	(4925)	16-2 27/64	(4938)	16-1 27/64	(4913)	2-11 1/16	(891)	NA	2-1 19/32	(650)	2-2 29/32	(683)	16-5 3/4	(5023)	
	24-0	22-1 59/64	(6754)	22-2 27/64	(6767)	22-1 27/64	(6742)	3-11 1/16	(1195)	NA	3-1 19/32	(955)	3-2 29/32	(988)	22-5 3/4	(6851)	
	30-0	28-1 59/64	(8583)	28-2 27/64	(8596)	28-1 27/64	(8570)	4-11 1/16	(1500)	NA	4-1 19/32	(1260)	4-2 29/32	(1293)	NA		
	36-0	34-1 59/64	(10412)	34-2 27/64	(10425)	34-1 27/64	(10399)	5-11 1/16	(1805)	NA	5-1 19/32	(1565)	5-2 29/32	(1598)	NA		
OXXX-XXXO	24-0	21-2 37/64	(6466)	21-3 5/64	(6479)	21-2 5/64	(6453)	2-11 1/16	(891)	NA	2-1 19/32	(650)	2-2 29/32	(683)	21-6 13/32	(6563)	
	32-0	29-2 37/64	(8905)	29-3 5/64	(8917)	29-2 5/64	(8892)	3-11 1/16	(1195)	NA	3-1 19/32	(955)	3-2 29/32	(988)	NA		
	40-0	37-2 37/64	(11343)	37-3 5/64	(11356)	37-2 5/64	(11330)	4-11 1/16	(1500)	NA	4-1 19/32	(1260)	4-2 29/32	(1293)	NA		
	48-0	45-2 37/64	(13781)	45-3 5/64	(13794)	45-2 5/64	(13769)	5-11 1/16	(1805)	NA	5-1 19/32	(1565)	5-2 29/32	(1598)	NA		
OXXXX-XXXXO	30-0	26-3 15/64	(8007)	26-3 47/64	(8020)	26-2 47/64	(7994)	2-11 1/16	(891)	NA	2-1 19/32	(650)	2-2 29/32	(683)	NA		
	40-0	36-3 15/64	(11055)	36-3 47/64	(11068)	36-2 47/64	(11042)	3-11 1/16	(1195)	NA	3-1 19/32	(955)	3-2 29/32	(988)	NA		
	50-0	46-3 15/64	(14103)	46-3 47/64	(14116)	46-2 47/64	(14090)	4-11 1/16	(1500)	NA	4-1 19/32	(1260)	4-2 29/32	(1293)	NA		
	60-0	56-3 15/64	(17151)	56-3 47/64	(17164)	56-2 47/64	(17138)	5-11 1/16	(1805)	NA	5-1 19/32	(1565)	5-2 29/32	(1598)	NA		
XOX	12-0	11-1 11/32	(3387)	11-1 27/32	(3400)	11-0 27/32	(3374)	2-11 1/16	(891)	5-10 21/64	(1786)	2-1 19/32	(650)	2-2 29/32	(683)	11-5 5/32	(3484)
	16-0	15-1 11/32	(4606)	15-1 27/32	(4619)	15-0 27/32	(4593)	3-11 1/16	(1195)	7-10 21/64	(2396)	3-1 19/32	(955)	3-2 29/32	(988)	15-5 5/32	(4703)
	7-0																
	15-0	14-10 43/64	(4538)	14-11 11/64	(4551)	14-10 11/64	(4525)	3-11 1/16	(1195)	7-7 21/32	(2328)	3-1 19/32	(955)	3-2 29/32	(988)	15-2 1/2	(4635)

NOTE: For Corner Doors, contact your Marvin dealer to determine accurate field calculations.

Uni-Directional and Bi-Parting Stacked Standard Unit Measurements

Height																	
Unit Type	CN	Masonry Opening Flush/Perf Sills		Rough Opening Flush/Perf Sills		Frame Size		Panel OM		Stationary Panel OM		Daylight Opening		Glass Size		Screen OM Flush/HP Sill	
		ft - in	mm	ft - in	mm	ft - in	mm	ft-in	mm	ft-in	mm	ft - in	mm	ft - in	mm	ft - in	mm
All Configurations	7-0	7-1 15/32	(2171)	7-1 23/32	(2177)	7-1 7/32	(2165)	6-11	(2108)	6-11	(2108)	6-1 1/2	(1867)	6-2 13/16	(1900)	7-3 21/32	(2226)
	8-0	7-10 31/32	(2412)	7-11 7/32	(2419)	7-10 23/32	(2406)	7-8 1/2	(2350)	7-8 1/2	(2350)	6-11	(2108)	7-0 5/16	(2142)	8-1 5/32	(2468)
	9-0	8-10 31/32	(2717)	8-11 7/32	(2723)	8-10 23/32	(2711)	8-8 1/2	(2654)	8-8 1/2	(2654)	7-11	(2413)	8-0 5/16	(2446)	9-1 5/32	(2772)
	10-0	9-10 31/32	(3022)	9-11 7/32	(3028)	9-10 23/32	(3015)	9-8 1/2	(2959)	9-8 1/2	(2959)	8-11	(2718)	9-0 5/16	(2751)	10-1 5/32	(3077)
	12-0	11-10 31/32	(3631)	11-11 7/32	(3638)	11-10 23/32	(3625)	11-8 1/2	(3569)	11-8 1/2	(3569)	10-11	(3327)	11-0 5/16	(3361)	NA	
Unit Type	CN	Screen OM Performance Sill		System Height HP Sill		Total Rough Opening HP Sill											
		ft - in	mm	ft - in	mm	ft - in	mm										
All Configurations	7-0	7-2 11/16	(2201)	7-2 29/32	(2207)	7-3 15/32	(2222)										
	8-0	8-0 3/16	(2443)	8-0 13/32	(2449)	8-0 31/32	(2463)										
	9-0	9-0 3/16	(2748)	9-0 13/32	(2754)	9-0 31/32	(2768)										
	10-0	10-0 3/16	(3052)	10-0 13/32	(3058)	10-0 31/32	(3073)										
	12-0	NA		12-0 13/32	(3668)	12-0 31/32	(3682)										

Uni-Directional and Bi-Parting Pocket Standard Unit Measurements

Width													
Unit Type	CN	Total Rough Opening		Interior Wall Rough Opening		Exterior Wall Rough Opening		Total Frame Size OM		Interior Wall Frame Size		Exterior Wall Frame Size	
		ft-in	mm	ft - in	mm	ft - in	mm	ft-in	mm	ft - in	mm	ft - in	mm
XP or PX	3-0	6-5 1/64	(1956)	3-5 45/64	(1059)	3-2 27/64	(976)	6-4 1/64	(1931)	3-0 13/64	(920)	3-1 27/64	(976)
	4-0	8-5 1/64	(2566)	4-5 45/64	(1364)	4-2 27/64	(1281)	8-4 1/64	(2541)	4-0 13/64	(1224)	4-1 27/64	(1281)
	5-0	10-5 1/64	(3176)	5-5 45/64	(1669)	5-2 27/64	(1585)	10-4 1/64	(3150)	5-0 13/64	(1529)	5-1 27/64	(1585)
	6-0	12-5 1/64	(3785)	6-5 45/64	(1974)	6-2 27/64	(1890)	12-4 1/64	(3760)	6-0 13/64	(1834)	6-1 27/64	(1890)
XXP or PXX	6-0	8-11 11/32	(2727)	5-7 25/32	(1722)	5-8 3/4	(1746)	8-10 11/32	(2701)	5-6 17/32	(1690)	5-7 3/4	(1746)
	8-0	11-11 11/32	(3641)	7-7 25/32	(2331)	7-8 3/4	(2356)	11-10 11/32	(3616)	7-6 17/32	(2300)	7-7 3/4	(2356)
	10-0	14-11 11/32	(4555)	9-7 25/32	(2941)	9-8 3/4	(2965)	14-10 11/32	(4530)	9-6 17/32	(2909)	9-7 3/4	(2965)
	12-0	17-11 11/32	(5470)	11-7 25/32	(3551)	11-8 3/4	(3575)	17-10 11/32	(5444)	11-6 17/32	(3519)	11-7 3/4	(3575)
XXXXP or PXXX	9-0	11-5 43/64	(3497)	8-2 7/64	(2492)	8-3 5/64	(2516)	11-4 43/64	(3472)	8-0 55/64	(2460)	8-2 5/64	(2516)
	12-0	15-5 43/64	(4716)	11-2 7/64	(3407)	11-3 5/64	(3431)	15-4 43/64	(4691)	11-0 55/64	(3375)	11-2 5/64	(3431)
	15-0	19-5 43/64	(5935)	14-2 7/64	(4321)	14-3 5/64	(4345)	19-4 43/64	(5910)	14-0 55/64	(4289)	14-2 5/64	(4345)
	18-0	23-5 43/64	(7155)	17-2 7/64	(5235)	17-3 5/64	(5260)	23-4 43/64	(7129)	17-0 55/64	(5204)	17-2 5/64	(5260)
XXXXXP or PXXXX	12-0	14-0	(4267)	10-8 7/16	(3262)	10-9 13/32	(3287)	13-11	(4242)	10-7 3/16	(3231)	10-8 13/32	(3287)
	16-0	19-0	(5791)	14-8 7/16	(4482)	14-9 13/32	(4506)	18-11	(5766)	14-7 3/16	(4450)	14-8 13/32	(4506)
	20-0	24-0	(7315)	18-8 7/16	(5701)	18-9 13/32	(5725)	23-11	(7290)	18-7 3/16	(5669)	18-8 13/32	(5725)
	24-0	29-0	(8839)	22-8 7/16	(6920)	22-9 13/32	(6944)	28-11	(8814)	22-7 3/16	(6888)	22-8 13/32	(6944)
XXXXXP or PXXXXX	15-0	16-6 21/64	(5038)	13-2 49/64	(4033)	13-3 47/64	(4057)	16-5 21/64	(5012)	13-1 33/64	(4001)	13-2 47/64	(4057)
	20-0	22-6 21/64	(6866)	18-2 49/64	(5557)	18-3 47/64	(5581)	22-5 21/64	(6841)	18-1 33/64	(5525)	18-2 47/64	(5581)
	25-0	28-6 21/64	(8695)	23-2 49/64	(7081)	23-3 47/64	(7105)	28-5 21/64	(8670)	23-1 33/64	(7049)	23-2 47/64	(7105)
	30-0	34-6 21/64	(10524)	28-2 49/64	(8605)	28-3 47/64	(8629)	34-5 21/64	(10499)	28-1 33/64	(8573)	28-2 47/64	(8629)
XXXXXP or PXXXXX	18-0	19-0 21/32	(5808)	15-9 3/32	(4803)	15-10 1/16	(4827)	18-11 21/32	(5783)	15-7 27/32	(4771)	15-9 1/16	(4827)
	24-0	26-0 21/32	(7942)	21-9 3/32	(6632)	21-10 1/16	(6656)	25-11 21/32	(7916)	21-7 27/32	(6600)	21-9 1/16	(6656)
	30-0	33-0 21/32	(10075)	27-9 3/32	(8461)	27-10 1/16	(8485)	32-11 21/32	(10050)	27-7 27/32	(8429)	27-9 1/16	(8485)
	36-0	40-0 21/32	(12209)	33-9 3/32	(10290)	33-10 1/16	(10314)	39-11 21/32	(12183)	33-7 27/32	(10258)	33-9 1/16	(10314)
PX-XP	6-0	12-7 5/16	(3843)	6-8 11/16	(2050)	6-2 7/64	(1882)	12-6 5/16	(3818)	5-10 11/16	(1796)	6-1 7/64	(1882)
	8-0	16-7 5/16	(5063)	8-8 11/16	(2659)	8-2 7/64	(2492)	16-6 5/16	(5037)	7-10 11/16	(2405)	8-1 7/64	(2492)
	10-0	20-7 5/16	(6282)	10-8 11/16	(3269)	10-2 7/64	(3101)	20-6 5/16	(6256)	9-10 11/16	(3015)	10-1 7/64	(3101)
	12-0	24-7 5/16	(7501)	12-8 11/16	(3878)	12-2 7/64	(3711)	24-6 5/16	(7476)	11-10 11/16	(3624)	12-1 7/64	(3711)
PXX-XXP	12-0	17-7 31/32	(5384)	11-0 27/32	(3374)	11-2 49/64	(3423)	17-6 31/32	(5359)	10-11 11/32	(3336)	11-1 49/64	(3423)
	16-0	23-7 31/32	(7213)	15-0 27/32	(4593)	15-2 49/64	(4642)	23-6 31/32	(7187)	14-11 11/32	(4555)	15-1 49/64	(4642)
	20-0	29-7 31/32	(9042)	19-0 27/32	(5813)	19-2 49/64	(5861)	29-6 31/32	(9016)	18-11 11/32	(5775)	19-1 49/64	(5861)
	24-0	35-7 31/32	(10870)	23-0 27/32	(7032)	23-2 49/64	(7081)	35-6 31/32	(10845)	22-11 11/32	(6994)	23-1 49/64	(7081)
PXXX-XXXP	18-0	22-8 5/8	(6925)	16-1 1/2	(4915)	16-3 27/64	(4964)	22-7 5/8	(6899)	16-0	(4877)	16-2 27/64	(4964)
	24-0	30-8 5/8	(9363)	22-1 1/2	(6744)	22-3 27/64	(6792)	30-7 5/8	(9338)	22-0	(6706)	22-2 27/64	(6792)
	30-0	38-8 5/8	(11802)	28-1 1/2	(8573)	28-3 27/64	(8621)	38-7 5/8	(11776)	28-0	(8534)	28-2 27/64	(8621)
	36-0	46-8 5/8	(14240)	34-1 1/2	(10401)	34-3 27/64	(10450)	46-7 5/8	(14215)	34-0	(10363)	34-2 27/64	(10450)
PXXXX-XXXXP	24-0	27-9 9/32	(8465)	21-2 5/32	(6456)	21-4 5/64	(6504)	27-8 9/32	(8440)	21-0 21/32	(6418)	21-3 5/64	(6504)
	32-0	37-9 9/32	(11513)	29-2 5/32	(8894)	29-4 5/64	(8943)	37-8 9/32	(11488)	29-0 21/32	(8856)	29-3 5/64	(8943)
	40-0	47-9 9/32	(14561)	37-2 5/32	(11332)	37-4 5/64	(11381)	47-8 9/32	(14536)	37-0 21/32	(11294)	37-3 5/64	(11381)
	48-0	57-9 9/32	(17609)	45-2 5/32	(13771)	45-4 5/64	(13819)	57-8 9/32	(17584)	45-0 21/32	(13733)	45-3 5/64	(13819)
PXXXX-XXXXP	30-0	32-9 15/16	(10006)	26-2 13/16	(7996)	26-4 47/64	(8045)	32-8 15/16	(9981)	26-1 5/16	(7958)	26-3 47/64	(8045)
	40-0	44-9 15/16	(13664)	36-2 13/16	(11044)	36-4 47/64	(11093)	44-8 15/16	(13638)	36-1 5/16	(11006)	36-3 47/64	(11093)
	50-0	56-9 15/16	(17321)	46-2 13/16	(14092)	46-4 47/64	(14141)	56-8 15/16	(17296)	46-1 5/16	(14054)	46-3 47/64	(14141)
	60-0	68-9 15/16	(20979)	56-2 13/16	(17140)	56-4 47/64	(17189)	68-8 15/16	(20953)	56-1 5/16	(17102)	56-3 47/64	(17189)

NOTE: For Corner Doors, contact your Marvin dealer to determine accurate field calculations.

Uni-Directional and Bi-Parting Pocket Standard Unit Measurements Continued

Ultimate MultiSlide Door - Pocket Unit Measurements													
Width													
Unit Type	CN	Panel OM		Daylight Opening		Pocket Panel OM		Pocket Daylight Opening		Glass Size		Screen OM	
		ft - in	mm	ft - in	mm	ft - in	mm	ft - in	mm	ft - in	mm	ft - in	mm
XP or PX	3-0	N/A		N/A		3-0 5/16 (922)		2-1 19/32 (650)		2-2 29/32 (683)		3-6 1/2 (1080)	
	4-0	N/A		N/A		4-0 5/16 (1227)		3-1 19/32 (955)		3-2 29/32 (988)		4-6 1/2 (1384)	
	5-0	N/A		N/A		5-0 5/16 (1532)		4-1 19/32 (1260)		4-2 29/32 (1293)		5-6 1/2 (1689)	
	6-0	N/A		N/A		6-0 5/16 (1837)		5-1 19/32 (1565)		5-2 29/32 (1598)		5-6 1/2 (1689)	
XXP or PXX	6-0	2-11 1/16 (891)		2-1 19/32 (650)		3-0 5/16 (922)		2-1 19/32 (650)		2-2 29/32 (683)		6-0 27/32 (1850)	
	8-0	3-11 1/16 (1195)		3-1 19/32 (955)		4-0 5/16 (1227)		3-1 19/32 (955)		3-2 29/32 (988)		8-0 27/32 (2460)	
	10-0	4-11 1/16 (1500)		4-1 19/32 (1260)		5-0 5/16 (1532)		4-1 19/32 (1260)		4-2 29/32 (1293)		10-0 27/32 (3069)	
	12-0	5-11 1/16 (1805)		5-1 19/32 (1565)		6-0 5/16 (1837)		5-1 19/32 (1565)		5-2 29/32 (1598)		12-0 27/32 (3679)	
XXXXP or PXXX	9-0	2-11 1/16 (891)		2-1 19/32 (650)		3-0 5/16 (922)		2-1 19/32 (650)		2-2 29/32 (683)		8-7 5/32 (2620)	
	12-0	3-11 1/16 (1195)		3-1 19/32 (955)		4-0 5/16 (1227)		3-1 19/32 (955)		3-2 29/32 (988)		11-7 5/32 (3535)	
	15-0	4-11 1/16 (1500)		4-1 19/32 (1260)		5-0 5/16 (1532)		4-1 19/32 (1260)		4-2 29/32 (1293)		14-7 5/32 (4449)	
	18-0	5-11 1/16 (1805)		5-1 19/32 (1565)		6-0 5/16 (1837)		5-1 19/32 (1565)		5-2 29/32 (1598)		17-7 5/32 (5364)	
XXXXXP or PXXXX	12-0	2-11 1/16 (891)		2-1 19/32 (650)		3-0 5/16 (922)		2-1 19/32 (650)		2-2 29/32 (683)		11-1 1/2 (3391)	
	16-0	3-11 1/16 (1195)		3-1 19/32 (955)		4-0 5/16 (1227)		3-1 19/32 (955)		3-2 29/32 (988)		15-1 1/2 (4610)	
	20-0	4-11 1/16 (1500)		4-1 19/32 (1260)		5-0 5/16 (1532)		4-1 19/32 (1260)		4-2 29/32 (1293)		19-1 1/2 (5829)	
	24-0	5-11 1/16 (1805)		5-1 19/32 (1565)		6-0 5/16 (1837)		5-1 19/32 (1565)		5-2 29/32 (1598)		23-1 1/2 (7048)	
XXXXXP or PXXXX	15-0	2-11 1/16 (891)		2-1 19/32 (650)		3-0 5/16 (922)		2-1 19/32 (650)		2-2 29/32 (683)		13-7 13/16 (4161)	
	20-0	3-11 1/16 (1195)		3-1 19/32 (955)		4-0 5/16 (1227)		3-1 19/32 (955)		3-2 29/32 (988)		18-7 13/16 (5685)	
	25-0	4-11 1/16 (1500)		4-1 19/32 (1260)		5-0 5/16 (1532)		4-1 19/32 (1260)		4-2 29/32 (1293)		23-7 13/16 (7209)	
	30-0	5-11 1/16 (1805)		5-1 19/32 (1565)		6-0 5/16 (1837)		5-1 19/32 (1565)		5-2 29/32 (1598)		23-7 13/16 (7209)	
XXXXXP or PXXXX	18-0	2-11 1/16 (891)		2-1 19/32 (650)		3-0 5/16 (922)		2-1 19/32 (650)		2-2 29/32 (683)		16-2 5/32 (4931)	
	24-0	3-11 1/16 (1195)		3-1 19/32 (955)		4-0 5/16 (1227)		3-1 19/32 (955)		3-2 29/32 (988)		22-2 5/32 (6760)	
	30-0	4-11 1/16 (1500)		4-1 19/32 (1260)		5-0 5/16 (1532)		4-1 19/32 (1260)		4-2 29/32 (1293)		NA	
	36-0	5-11 1/16 (1805)		5-1 19/32 (1565)		6-0 5/16 (1837)		5-1 19/32 (1565)		5-2 29/32 (1598)		NA	
PX-XP	6-0	N/A		N/A		3-0 5/16 (922)		2-1 19/32 (650)		2-2 29/32 (683)		6-6 31/32 (2005)	
	8-0	N/A		N/A		4-0 5/16 (1227)		3-1 19/32 (955)		3-2 29/32 (988)		8-6 31/32 (2615)	
	10-0	N/A		N/A		5-0 5/16 (1532)		4-1 19/32 (1260)		4-2 29/32 (1293)		10-6 31/32 (3225)	
	12-0	N/A		N/A		6-0 5/16 (1837)		5-1 19/32 (1565)		5-2 29/32 (1598)		12-6 31/32 (3834)	
PXX-XXP	12-0	2-11 1/16 (891)		2-1 19/32 (650)		3-0 5/16 (922)		2-1 19/32 (650)		2-2 29/32 (683)		11-7 5/8 (3546)	
	16-0	3-11 1/16 (1195)		3-1 19/32 (955)		4-0 5/16 (1227)		3-1 19/32 (955)		3-2 29/32 (988)		15-7 5/8 (4765)	
	20-0	4-11 1/16 (1500)		4-1 19/32 (1260)		5-0 5/16 (1532)		4-1 19/32 (1260)		4-2 29/32 (1293)		19-7 5/8 (5985)	
	24-0	5-11 1/16 (1805)		5-1 19/32 (1565)		6-0 5/16 (1837)		5-1 19/32 (1565)		5-2 29/32 (1598)		19-7 5/8 (5985)	
PXXX-XXXP	18-0	2-11 1/16 (891)		2-1 19/32 (650)		3-0 5/16 (922)		2-1 19/32 (650)		2-2 29/32 (683)		16-8 9/32 (5087)	
	24-0	3-11 1/16 (1195)		3-1 19/32 (955)		4-0 5/16 (1227)		3-1 19/32 (955)		3-2 29/32 (988)		22-8 9/32 (6916)	
	30-0	4-11 1/16 (1500)		4-1 19/32 (1260)		5-0 5/16 (1532)		4-1 19/32 (1260)		4-2 29/32 (1293)		NA	
	36-0	5-11 1/16 (1805)		5-1 19/32 (1565)		6-0 5/16 (1837)		5-1 19/32 (1565)		5-2 29/32 (1598)		NA	
PXXXX-XXXXP	24-0	2-11 1/16 (891)		2-1 19/32 (650)		3-0 5/16 (922)		2-1 19/32 (650)		2-2 29/32 (683)		21-8 15/16 (6628)	
	32-0	3-11 1/16 (1195)		3-1 19/32 (955)		4-0 5/16 (1227)		3-1 19/32 (955)		3-2 29/32 (988)		NA	
	40-0	4-11 1/16 (1500)		4-1 19/32 (1260)		5-0 5/16 (1532)		4-1 19/32 (1260)		4-2 29/32 (1293)		NA	
	48-0	5-11 1/16 (1805)		5-1 19/32 (1565)		6-0 5/16 (1837)		5-1 19/32 (1565)		5-2 29/32 (1598)		NA	
PXXXX-XXXXP	30-0	2-11 1/16 (891)		2-1 19/32 (650)		3-0 5/16 (922)		2-1 19/32 (650)		2-2 29/32 (683)		NA	
	40-0	3-11 1/16 (1195)		3-1 19/32 (955)		4-0 5/16 (1227)		3-1 19/32 (955)		3-2 29/32 (988)		NA	
	50-0	4-11 1/16 (1500)		4-1 19/32 (1260)		5-0 5/16 (1532)		4-1 19/32 (1260)		4-2 29/32 (1293)		NA	
	60-0	5-11 1/16 (1805)		5-1 19/32 (1565)		6-0 5/16 (1837)		5-1 19/32 (1565)		5-2 29/32 (1598)		NA	

NOTE: For Corner Doors, contact your Marvin dealer to determine accurate field calculations.

Uni-Directional and Bi-Parting Pocket Standard Unit Measurements Continued

Height													
Unit Type	CN	Rough Opening Flush/Perf Sills		Frame Size		Panel OM		Daylight Opening		Glass Size		Screen OM Flush/HP Sill	
		ft - in	mm	ft - in	mm	ft-in	mm	ft - in	mm	ft - in	mm	ft - in	mm
All Configurations	7-0	7-1 23/32	(2177)	7-1 7/32	(2165)	6-11	(2108)	6-1 1/2	(1867)	6-2 13/16	(1900)	7-3 21/32	(2226)
	8-0	7-11 7/32	(2419)	7-10 23/32	(2406)	7-8 1/2	(2350)	6-11	(2108)	7-0 5/16	(2142)	8-1 5/32	(2468)
	9-0	8-11 7/32	(2723)	8-10 23/32	(2711)	8-8 1/2	(2654)	7-11	(2413)	8-0 5/16	(2446)	9-1 5/32	(2772)
	10-0	9-11 7/32	(3028)	9-10 23/32	(3015)	9-8 1/2	(2959)	8-11	(2718)	9-0 5/16	(2751)	10-1 5/32	(3077)
	12-0	11-11 7/32	(3638)	11-10 23/32	(3625)	11-8 1/2	(3569)	10-11	(3327)	11-0 5/16	(3361)	NA	
Unit Type	CN	Screen OM Performance Sill		System Height HP Sill		Total Rough Opening HP Sill							
		ft - in	mm	ft - in	mm	ft - in	mm						
All Configurations	7-0	7-2 11/16	(2201)	7-2 29/32	(2068)	7-3 15/32	(2096)						
	8-0	8-0 3/16	(2443)	8-0 13/32	(2310)	8-0 31/32	(2337)						
	9-0	9-0 3/16	(2748)	9-0 13/32	(2614)	9-0 31/32	(2642)						
	10-0	10-0 3/16	(3052)	10-0 13/32	(2919)	10-0 31/32	(2946)						
	12-0	NA		12-0 13/32	(3529)	12-0 31/32	(3556)						

Certified Sizes and Ratings

Certified Sizes and Ratings Tables Performance Sill 10-0 Height										
Product	Air Tested to psf	Water Tested to psf	Structural Tested to psf	Certification Rating	Design Pressure (DP)	Overall Width		Overall Height		# of Panels
						in	mm	in	mm	
Ultimate MultiSlide Door Stacked Uni-Directional	1.57	6.0	60	LC-PG40-SD	40	260 9/16	(6618)	118 23/32	(3015)	6
Ultimate MultiSlide Door Pocket Uni-Directional	1.57	6.0	60	LC-PG40-SD	40	311 21/32	(7916)	118 23/32	(3015)	6
Ultimate MultiSlide Door Stacked Bi-Parting	1.57	6.0	60	LC-PG40-SD	40	434 47/64	(11042)	118 23/32	(3015)	10
Ultimate MultiSlide Door Pocket Bi-Parting	1.57	6.0	60	LC-PG40-SD	40	536 15/16	(13638)	118 23/32	(3015)	10
Ultimate MultiSlide Door Stacked Corner	1.57	6.0	60	LC-PG40-SD	40	233 5/64	(5920)	118 23/32	(3015)	10
Ultimate MultiSlide Door Pocket Corner	1.57	6.0	60	LC-PG40-SD	40	284 3/16	(7218)	118 23/32	(3015)	10

NOTES:

- Max Call Number is a 4-0 panel size width by 10-0 panel size height.
- Certified Sizes and Ratings are for doors utilizing the performance sill option.

Certified Sizes and Ratings Tables (HP & IZ3) up to 8-0 Height										
Product	Air Tested to psf	Water Tested to psf	Structural Tested to psf	Certification Rating	Design Pressure (DP)	Overall Width		Overall Height		# of Panels
						in	mm	in	mm	
Ultimate MultiSlide Door Stacked Uni-Directional	1.57	8.25 (6.0 w/performance sill - IZ3 option)	+82.5 -97.5	LC-PG55-SD	+55 -65	260 9/16	(6618)	96 13/32	(2449)	6
Ultimate MultiSlide Door Stacked Bi-Parting	1.57	8.25 (6.0 w/performance sill - IZ3 option)	+82.5 -97.5	LC-PG55-SD	+55 -65	434 47/64	(11042)	96 13/32	(2449)	10
Ultimate MultiSlide Door Pocket Bi-Parting	1.57	8.25 (6.0 w/performance sill - IZ3 option)	+82.5 -97.5	LC-PG55-SD	+55 -65	536 15/16	(13638)	96 13/32	(2449)	10

Certified Sizes and Ratings Continued

Certified Sizes and Ratings Tables (HP & IZ3) up to 10-0 Height										
Product	Air Tested to psf	Water Tested to psf	Structural Tested to psf	Certification Rating	Design Pressure (DP)	Overall Width		Overall Height		# of Panels
						in	mm	in	mm	
Ultimate MultiSlide Door Pocket Uni-Directional	1.57	8.25 (6.0 w/performance sill - IZ3 option)	+82.5 -97.5	LC-PG55-SD	+55 -65	311 21/32	(7916)	120 13/32	(3058)	6

Certified Sizes and Ratings Tables (IZ3 Only) over 8-0 to 10-0 Height										
Product	Air Tested to psf	Water Tested to psf	Structural Tested to psf	Certification Rating	Design Pressure (DP)	Overall Width		Overall Height		# of Panels
						in	mm	in	mm	
Ultimate MultiSlide Door Stacked Corner Uni-Directional	1.57	8.25 (6.0 w/performance sill - IZ3 option)	+82.5 -97.5	LC-PG55-SD	+55 -65	260 9/16	(6618)	120 13/32	(3058)	6
Ultimate MultiSlide Door Stacked Bi-Parting	1.57	8.25 (6.0 w/performance sill - IZ3 option)	+75.0 -82.5	LC-PG50-SD	+50 -55	434 47/64	(11042)	120 13/32	(3058)	10
Ultimate MultiSlide Door Pocket Bi-Parting	1.57	8.25 (6.0 w/performance sill - IZ3 option)	+75.0 -82.5	LC-PG50-SD	+50 -55	536 15/16	(13638)	120 13/32	(3058)	10

Certified Sizes and Ratings Tables (HP Only) over 8-0 to 10-0 Height										
Product	Air Tested to psf	Water Tested to psf	Structural Tested to psf	Certification Rating	Design Pressure (DP)	Overall Width		Overall Height		# of Panels
						in	mm	in	mm	
Ultimate MultiSlide Door Stacked Uni-Directional	1.57	8.25	82.5	LC-PG55-SD	55	260 4/7	(6618)	120 13/32	(3058)	6
Ultimate MultiSlide Door Stacked Bi-Parting	1.57	8.25	+67.5 -75.0	LC-PG45-SD	+45 -50	434 3/4	(11042)	120 13/32	(3058)	10
Ultimate MultiSlide Door Pocket Bi-Parting	1.57	8.25	+67.5 -75.0	LC-PG45-SD	+45 -50	537	(13638)	120 13/32	(3058)	10

Minimum and Maximum Guidelines

Minimum and Maximum Panel Size									
Panel Size		Panel Size							
		Min Width		Min Height		Max Width		Max Height	
		in	mm	in	mm	in	mm	in	mm
Stacked Uni-Directional		29 5/8	(752)	59 27/32	(1520)	71 1/16	(1805)	140 1/2	(3569)
Stacked Bi-Parting		29 5/8	(752)	75 13/32	(1915)	71 1/16	(1805)	140 1/2	(3569)
Pocket Uni-Directional all configurations except PX/XP		29 5/8	(752)	64 7/64	(1628)	71 1/16	(1805)	140 1/2	(3569)
Pocket Bi-Parting all configurations except PX-XP		29 5/8	(752)	79 43/64	(2024)	71 1/16	(1805)	140 1/2	(3569)
Pocket Uni-Directional PX/XP		30 7/8	(784)	64 7/64	(1628)	72 5/16	(1837)	140 1/2	(3569)
Pocket Bi-Parting PX-XP		30 7/8	(784)	79 43/64	(2024)	72 5/16	(1837)	140 1/2	(3569)
Center Stacked XOX		Operator		29 5/8	(752)	59 27/32	(1520)	47 1/16	(1195)
		Stationary		59 29/64	(1510)	59 27/32	(1520)	94 21/64	(2396)
Stacked Corner Unit		29 5/8	(752)	75 13/32	(1915)	71 1/16	(1805)	140 1/2	(3569)
Pocket Corner Unit (except PX - C - XP)		29 5/8	(752)	75 13/32	(1915)	71 1/16	(1805)	140 1/2	(3569)
Pocket Corner Unit (PX - C - XP)		30 7/8	(784)	79 43/64	(2024)	72 5/16	(1837)	140 1/2	(3569)

Minimum and Maximum Guidelines

Style	Minimum Frame Size				Maximum Frame Size				
	Configuration	Width		Height		Width		Height	
		in	mm	in	mm	in	mm	in	mm
Stacked Uni-Directional	XO / OX	56 3/8	(1432)	62 1/16	(1576)	139 1/4	(3537)	142 23/32	(3625)
Stacked Uni-Directional	XXO / OXX	81 17/64	(2064)	62 1/16	(1576)	205 37/64	(5222)	142 23/32	(3625)
Stacked Uni-Directional	XXXO / OXXX	106 5/32	(2696)	62 1/16	(1576)	271 29/32	(6906)	142 23/32	(3625)
Stacked Uni-Directional	XXXXO / OXXXX	131 3/64	(3328)	62 1/16	(1576)	338 15/64	(8591)	142 23/32	(3625)
Stacked Uni-Directional	XXXXXO / OXXXXX	155 15/16	(3961)	62 1/16	(1576)	404 9/16	(10276)	142 23/32	(3625)
Stacked Bi-Parting	OX-XO	111 1/64	(2820)	77 5/8	(1972)	276 49/64	(7030)	142 23/32	(3625)
Stacked Bi-Parting	OXX-XXO	160 51/64	(4084)	77 5/8	(1972)	409 27/64	(10399)	142 23/32	(3625)
Stacked Bi-Parting	OXXX-XXXO	210 37/64	(5349)	77 5/8	(1972)	542 5/64	(13769)	142 23/32	(3625)
Stacked Bi-Parting	OXXXX-XXXXO	260 23/64	(6613)	77 5/8	(1972)	674 47/64	(17138)	142 23/32	(3625)
Pocket Uni-Directional	XP / PX	65 9/64	(1655)	66 21/64	(1685)	148 1/64	(3760)	142 23/32	(3625)
Pocket Uni-Directional	XXP / PXX	90 1/32	(2287)	66 21/64	(1685)	214 11/32	(5444)	142 23/32	(3625)
Pocket Uni-Directional	XXXP / PXXX	114 59/64	(2919)	66 21/64	(1685)	280 43/64	(7129)	142 23/32	(3625)
Pocket Uni-Directional	XXXXP / PXXXX	139 13/16	(3551)	66 21/64	(1685)	347	(8814)	142 23/32	(3625)
Pocket Uni-Directional	XXXXXP / PXXXXX	164 23/32	(4184)	66 21/64	(1685)	413 11/32	(10499)	142 23/32	(3625)
Pocket Uni-Directional	XXXXXXP / PXXXXXX	189 19/32	(4816)	66 21/64	(1685)	479 21/32	(12183)	142 23/32	(3625)
Pocket Bi-Parting	PX-XP	128 9/16	(3265)	81 57/64	(2080)	294 5/16	(7476)	142 23/32	(3625)
Pocket Bi-Parting	PXX-XXP	178 11/32	(4530)	81 57/64	(2080)	426 31/32	(10845)	142 23/32	(3625)
Pocket Bi-Parting	PXXX-XXXP	228 1/8	(5794)	81 57/64	(2080)	559 5/8	(14215)	142 23/32	(3625)
Pocket Bi-Parting	PXXXX-XXXXP	277 29/32	(7059)	81 57/64	(2080)	692 9/32	(17584)	142 23/32	(3625)
Pocket Bi-Parting	PXXXXX-XXXXXP	327 11/16	(8323)	81 57/64	(2080)	824 15/16	(20953)	142 23/32	(3625)
Center Stacked XOX	XOX	111 3/32	(2822)	62 1/16	(1576)	132 27/32	(3374)	142 23/32	(3625)
Center Stacked XOX	XOX	111 3/32	(2822)	62 1/16	(1576)	180 27/32	(4593)	81 27/64	(2068)
Center Stacked XOX	XOX	111 3/32	(2822)	62 1/16	(1576)	178 11/64	(4525)	90 59/64	(2310)
Stacked Corner Unit	OX-C-XO	61 1/32	(1550)	77 5/8	(1972)	353 5/64	(8968)	142 23/32	(3625)
Pocket Corner Unit	PX-C-XP	66 51/64	(1697)	81 57/64	(2080)	428 3/16	(10876)	142 23/32	(3625)

Minimum and Maximum Guidelines

Minimum and Maximum Inputs for units with Screens									
Style	Sill Type	Min Width		Min Height		Max Width		Max Height	
		in	mm	in	mm	in	mm	in	mm
Uni-Directional Stacked	Flush/HP Sill	56 3/8	(1432)	62 1/16	(1576)	291 15/16	(7415)	122 23/32	(3117)
	Performance Sill	56 3/8	(1432)	62 1/16	(1576)	291 15/16	(7415)	123 11/16	(3142)
Bi-Parting Stacked	Flush/HP Sill	111 1/64	(2820)	77 5/8	(1972)	291 15/16	(7415)	122 23/32	(3117)
	Performance Sill	111 1/64	(2820)	77 5/8	(1972)	291 15/16	(7415)	123 11/16	(3142)
Uni-Directional Pocket	Flush/HP Sill	65 9/64	(1655)	66 21/64	(1685)	289 31/32	(7365)	122 23/32	(3117)
	Performance Sill	65 9/64	(1655)	66 21/64	(1685)	289 31/32	(7365)	123 11/16	(3142)
Bi-Parting Pocket	Flush/HP Sill	128 9/16	(3265)	81 57/64	(2080)	288	(7315)	122 23/32	(3117)
	Performance Sill	128 9/16	(3265)	81 57/64	(2080)	288	(7315)	123 11/16	(3142)
Center Stacked XOX	Flush/HP Sill	111 3/32	(2822)	62 1/16	(1576)	291 15/16	(7415)	122 23/32	(3117)
	Performance Sill	111 3/32	(2822)	62 1/16	(1576)	291 15/16	(7415)	123 11/16	(3142)

■ Dimensions given as Maximum Interior Wall Frame Size

Minimum and Maximum Inputs for units with Sliding Door Automatic Control										
Style	Minimum Configuration / Frame Size					Maximum Configuration / Frame Size				
	Configuration	Width		Height		Configuration	Width		Height	
		in	mm	in	mm		in	mm	in	mm
Uni-Directional Stacked	XO / OX	56 3/8	(1432)	62 1/16	(1576)	XXXXXO / OXXXXX	404 9/16	(10276)	142 23/32	(3625)
Bi-Parting Stacked	OX-XO	111 1/64	(2820)	77 5/8	(1972)	OXXXX-XXXXO	554 47/64	(14090)	142 23/32	(3625)
Uni-Directional Pocket	XXP / XXP	90 1/32	(2287)	66 21/64	(1685)	XXXXXXP / PXXXXXX	479 21/32	(12183)	142 23/32	(3625)
Bi-Parting Pocket	PXX-XXP	178 11/32	(4530)	81 57/64	(2080)	PXXXXX-XXXXXP	572 9/32	(14536)	142 23/32	(3625)

Net Clear Openings: Uni-Directional and Bi-Parting Stacked Units

Net Clear Opening Width							
Unit Configuration	Call Number	Net Clear Openings		Net Clear Opening Unidirectional Screen		Net Clear Opening Biparting Screen	
		ft-in	mm	ft-in	mm	ft-in	mm
XO or OX	6-0	2-4 1/16	(713)	2-4 1/16	(713)	2-1 27/32	(656)
	8-0	3-4 1/16	(1018)	3-4 1/16	(1018)	3-1 27/32	(961)
	10-0	4-4 1/16	(1323)	4-4 1/16	(1323)	4-1 27/32	(1266)
	12-0	5-4 1/16	(1627)	5-4 1/16	(1627)	5-1 27/32	(1571)
XXO or OXX	9-0	4-10 21/64	(1482)	4-10 5/16	(1482)	4-8 3/32	(1425)
	12-0	6-10 21/64	(2091)	6-10 5/16	(2091)	6-8 3/32	(2034)
	15-0	8-10 21/64	(2701)	NA		8-8 3/32	(2644)
	18-0	10-10 21/64	(3310)	NA		10-8 3/32	(3253)
XXXO or OXXX	12-0	7-4 21/32	(2252)	7-4 21/32	(2252)	7-2 13/32	(2195)
	16-0	10-4 21/32	(3166)	NA		10-2 13/32	(3109)
	20-0	13-4 21/32	(4081)	NA		13-2 13/32	(4024)
	24-0	16-4 21/32	(4995)	NA		16-2 13/32	(4938)
XXXXO or OXXXX	15-0	9-10 63/64	(3022)	NA		9-8 3/4	(2965)
	20-0	13-10 63/64	(4241)	NA		13-8 3/4	(4185)
	25-0	17-10 63/64	(5461)	NA		17-8 3/4	(5404)
	30-0	21-10 63/64	(6680)	NA		NA	
XXXXXO or OXXXXX	18-0	12-5 5/16	(3793)	NA		12-3 1/16	(3736)
	24-0	17-5 5/16	(5317)	NA		17-3 1/16	(5260)
	30-0	22-5 5/16	(6841)	NA		NA	
	36-0	27-5 5/16	(8365)	NA		NA	
OX-XO	12-0	4-9 17/64	(1454)	NA		4-9 1/4	(1454)
	16-0	6-9 17/64	(2064)	NA		6-9 1/4	(2064)
	20-0	8-9 17/64	(2674)	NA		8-9 1/4	(2674)
	24-0	10-9 17/64	(3283)	NA		10-9 1/4	(3283)
OXX-XXO	18-0	9-9 59/64	(2995)	NA		9-9 29/32	(2995)
	24-0	13-9 59/64	(4214)	NA		13-9 29/32	(4214)
	30-0	17-9 59/64	(5434)	NA		NA	
	36-0	21-9 59/64	(6653)	NA		NA	
OXXX-XXXO	24-0	14-10 37/64	(4536)	NA		14-10 9/16	(4536)
	32-0	20-10 37/64	(6365)	NA		NA	
	40-0	26-10 37/64	(8193)	NA		NA	
	48-0	32-10 37/64	(10022)	NA		NA	
OXXXX-XXXXO	30-0	19-11 15/64	(6077)	NA		NA	
	40-0	27-11 15/64	(8515)	NA		NA	
	50-0	35-11 15/64	(10953)	NA		NA	
	60-0	43-11 15/64	(13392)	NA		NA	
XOX	12-0	2-5 7/32	(742)	2-5 7/32	(742)	2-2 31/32	(685)
				2-2 31/32	(685)		
	16-0	3-5 7/32	(1047)	NA		3-2 31/32	(990)
15-0	3-3 7/8	(1013)	NA		3-1 5/8	(956)	

Dimension given as net clear opening for pull bar side

NOTE: For Corner Doors, contact your Marvin dealer to determine accurate field calculations.

Net Clear Openings: Uni-Directional and Bi-Parting Stacked Units Continued

Net Clear Opening Height					
All Configuration	Call Number	Flush/HP Sill Option		Performance Sill Option	
		ft - in	mm	ft - in	mm
	7-0	6-10 1/2	(2096)	6-9 27/64	(2068)
8-0	7-8	(2337)	7-6 59/64	(2310)	
9-0	8-8	(2642)	8-6 59/64	(2614)	
10-0	9-8	(2946)	9-6 59/64	(2919)	
12-0	11-8	(3556)	11-6 59/64	(3529)	

NOTE: For Corner Doors, contact your Marvin dealer to determine accurate field calculations.

Net Clear Openings: Uni-Directional and Bi-Parting Pocket Units

Net Clear Opening Width							
Unit Configuration	Call Number	Net Clear Openings		Net Clear Opening Unidirectional Screen		Net Clear Opening Biparting Screen	
		ft-in	mm	ft-in	mm	ft-in	mm
XP or PX	3-0	2-9 1/8	(841)	2-7 11/16	(805)	2-5 3/4	(755)
	4-0	3-9 1/8	(1146)	3-7 11/16	(1110)	3-5 3/4	(1060)
	5-0	4-9 1/8	(1451)	4-7 11/16	(1415)	4-5 3/4	(1365)
	6-0	5-9 1/8	(1756)	5-7 11/16	(1719)	5-5 3/4	(1670)
XXP or PXX	6-0	5-3 29/64	(1612)	5-2 1/32	(1575)	5-0 1/16	(1526)
	8-0	7-3 29/64	(2221)	7-2 1/32	(2185)	7-0 1/16	(2135)
	10-0	9-3 29/64	(2831)	9-2 1/32	(2795)	9-0 1/16	(2745)
	12-0	11-3 29/64	(3441)	11-2 1/32	(3404)	11-0 1/16	(3355)
XXXXP or PXXX	9-0	7-9 25/32	(2382)	7-8 11/32	(2346)	7-6 13/32	(2296)
	12-0	10-9 25/32	(3296)	10-8 11/32	(3260)	10-6 13/32	(3211)
	15-0	13-9 25/32	(4211)	NA		13-6 13/32	(4125)
	18-0	16-9 25/32	(5125)	NA		16-6 13/32	(5039)
XXXXXP or PXXXX	12-0	10-4 7/64	(3152)	10-2 11/16	(3116)	10-0 23/32	(3066)
	16-0	14-4 7/64	(4372)	NA		14-0 23/32	(4286)
	20-0	18-4 7/64	(5591)	NA		18-0 23/32	(5505)
	24-0	22-4 7/64	(6810)	NA		22-0 23/32	(6724)
XXXXXP or PXXXXX	15-0	12-10 7/16	(3923)	NA		12-7 1/16	(3837)
	20-0	17-10 7/16	(5447)	NA		17-7 1/16	(5361)
	25-0	22-10 7/16	(6971)	NA		22-7 1/16	(6885)
	30-0	27-10 7/16	(8495)	NA		22-7 1/16	(6885)
XXXXXXP or PXXXXXX	18-0	15-4 49/64	(4693)	NA		15-1 3/8	(4607)
	24-0	21-4 49/64	(6522)	NA		21-1 3/8	(6436)
	30-0	27-4 49/64	(8351)	NA		NA	
	36-0	33-4 49/64	(10180)	NA		NA	
PX-XP	6-0	5-7 33/64	(1715)	NA		5-6 3/16	(1681)
	8-0	7-7 33/64	(2325)	NA		7-6 3/16	(2290)
	10-0	9-7 33/64	(2934)	NA		9-6 3/16	(2900)
	12-0	11-7 33/64	(3544)	NA		11-6 3/16	(3510)
PXX-XXP	12-0	10-8 11/64	(3256)	NA		10-6 27/32	(3221)
	16-0	14-8 11/64	(4475)	NA		14-6 27/32	(4441)
	20-0	18-8 11/64	(5694)	NA		18-6 27/32	(5660)
	24-0	22-8 11/64	(6913)	NA		22-6 27/32	(6879)
PXXX-XXXP	18-0	15-8 53/64	(4796)	NA		15-7 1/2	(4762)
	24-0	21-8 53/64	(6625)	NA		21-7 1/2	(6591)
	30-0	27-8 53/64	(8454)	NA		NA	
	36-0	33-8 53/64	(10283)	NA		NA	
PXXXX-XXXXP	24-0	20-9 31/64	(6337)	NA		20-8 5/32	(6303)
	32-0	28-9 31/64	(8775)	NA		NA	
	40-0	36-9 31/64	(11214)	NA		NA	
	48-0	44-9 31/64	(13652)	NA		NA	
PXXXXX-XXXXXP	30-0	25-10 9/64	(7878)	NA		NA	
	40-0	35-10 9/64	(10926)	NA		NA	
	50-0	45-10 9/64	(13974)	NA		NA	
	60-0	55-10 9/64	(17022)	NA		NA	

Net Clear Openings: Uni-Directional and Bi-Parting Pocket Units Continued

Net Clear Opening Height					
All Configuration	Call Number	Flush/HP Sill Option		Performance Sill Option	
		ft - in	mm	ft - in	mm
	7-0	6-10 1/2	(2096)	6-9 27/64	(2068)
8-0	7-8	(2337)	7-6 59/64	(2310)	
9-0	8-8	(2642)	8-6 59/64	(2614)	
10-0	9-8	(2946)	9-6 59/64	(2919)	
12-0	11-8	(3556)	11-6 59/64	(3529)	

Standard Sizes and Configurations (Stacked)

Stacked Units - Standard Sizes and Configurations									
Based on: 3/0, 4/0, 5/0 Panel Widths - 7/0, 8/0, 10/0, 12/0 Panel Heights									
2W	3W	4W	5W	6W	4W	6W	8W	10W	3W
OX / XO	OXX / XXO	OXXX / XXXO	OXXXX / XXXXO	OXXXXX / XXXXXO	OX - XO L or R	OXX - XXO L or R	OXXX - XXXO L or R	OXXXX - XXXXO L or R	XOX
6070	9070	12070	15070	18070	12070	18070	24070	30070	12070
8070	12070	16070	20070	24070	16070	24070	32070	40070	16070
10070	15070	20070	25070	30070	20070	30070	40070	50070	
12070	18070	24070	30070	36070	24070	36070	48070	60070	
6080	9080	12080	15080	18080	12080	18080	24080	30080	12080
8080	12080	16080	20080	24080	16080	24080	32080	40080	15080
10080	15080	20080	25080	30080	20080	30080	40080	50080	
12080	18080	24080	30080	36080	24080	36080	48080	60080	
6090	9090	12090	15090	18090	12090	18090	24090	30090	12090
8090	12090	16090	20090	24090	16090	24090	32090	40090	120100
10090	15090	20090	25090	30090	20090	30090	40090	50090	
12090	18090	24090	30090	36090	24090	36090	48090	60090	
60100	90100	120100	150100	180100	120100	180100	240100	300100	120100
80100	120100	160100	200100	240100	160100	240100	320100	400100	
100100	150100	200100	250100	300100	200100	300100	400100	500100	
120100	180100	240100	300100	360100	240100	360100	480100	600100	
60120	90120	120120	150120	180120	120120	180120	240120	300120	120120
80120	120120	160120	200120	240120	160120	240120	320120	400120	
100120	150120	200120	250120	300120	200120	300120	400120	500120	
120120	180120	240120	300120	360120	240120	360120	480120	600120	

Standard Sizes and Configurations (Pocket)

Pocket Units - Standard Sizes and Configurations										
Based on: 3/0, 4/0, 5/0 Panel Widths - 7/0, 8/0, 10/0, 12/0 Panel Heights										
1 Pocket 1 Panel	1 Pocket 2 Panel	1 Pocket 3 Panel	1 Pocket 4 Panel	1 Pocket 5 Panel	1 Pocket 6 Panel	2 Pocket 2 Panel	2 Pocket 4 Panel	2 Pocket 6 Panel	2 Pocket 8 Panel	2 Pocket 10 Panel
PX/XP	PXX/ XXP	PXXX/ XXXX	PXXXX/ XXXXP	PXXXXX/XX XXXXP	PXXXXXX/ XXXXXXP	PX-XP L or R	PXX-XXP L or R	PXXX-XXXXP L or R	PXXXX-XXXXP L or R	PXXXXX-XXXXXP L or R
3070	6070	9070	12070	15070	18070	6070	12070	18070	24070	30070
4070	8070	12070	16070	20070	24070	8070	16070	24070	32070	40070
5070	10070	15070	20070	25070	30070	10070	20070	30070	40070	50070
6070	12070	18070	24070	30070	36070	12070	24070	36070	48070	60070
3080	6080	9080	12080	15080	18080	6080	12080	18080	24080	30080
4080	8080	12080	16080	20080	24080	8080	16080	24080	32080	40080
5080	10080	15080	20080	25080	30080	10080	20080	30080	40080	50080
6080	12080	18080	24080	30080	36080	12080	24080	36080	48080	60080
3090	6090	9090	12090	15090	18090	6090	12090	18090	24090	30090
4090	8090	12090	16090	20090	24090	8090	16090	24090	32090	40090
5090	10090	15090	20090	25090	30090	10090	20090	30090	40090	50090
6090	12090	18090	24090	30090	36090	12090	24090	36090	48090	60090
30100	60100	90100	120100	150100	180100	60100	120100	180100	240100	300100
40100	80100	120100	160100	200100	240100	80100	160100	240100	320100	400100
50100	100100	150100	200100	250100	300100	100100	200100	300100	400100	500100
60100	120100	180100	240100	300100	360100	120100	240100	360100	480100	600100
30120	60120	90120	120120	150120	180120	60120	120120	180120	240120	300120
40120	80120	120120	160120	200120	240120	80120	160120	240120	320120	400120
50120	100120	150120	200120	250120	300120	100120	200120	300120	400120	500120
60120	120120	180120	240120	300120	360120	120120	240120	360120	480120	600120

Sill Details: Flush and Performance - Stacked and Pocket Units

Scale: Not to Scale

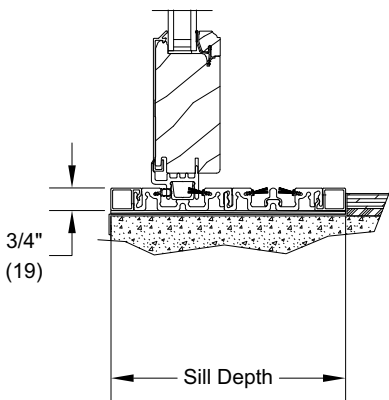
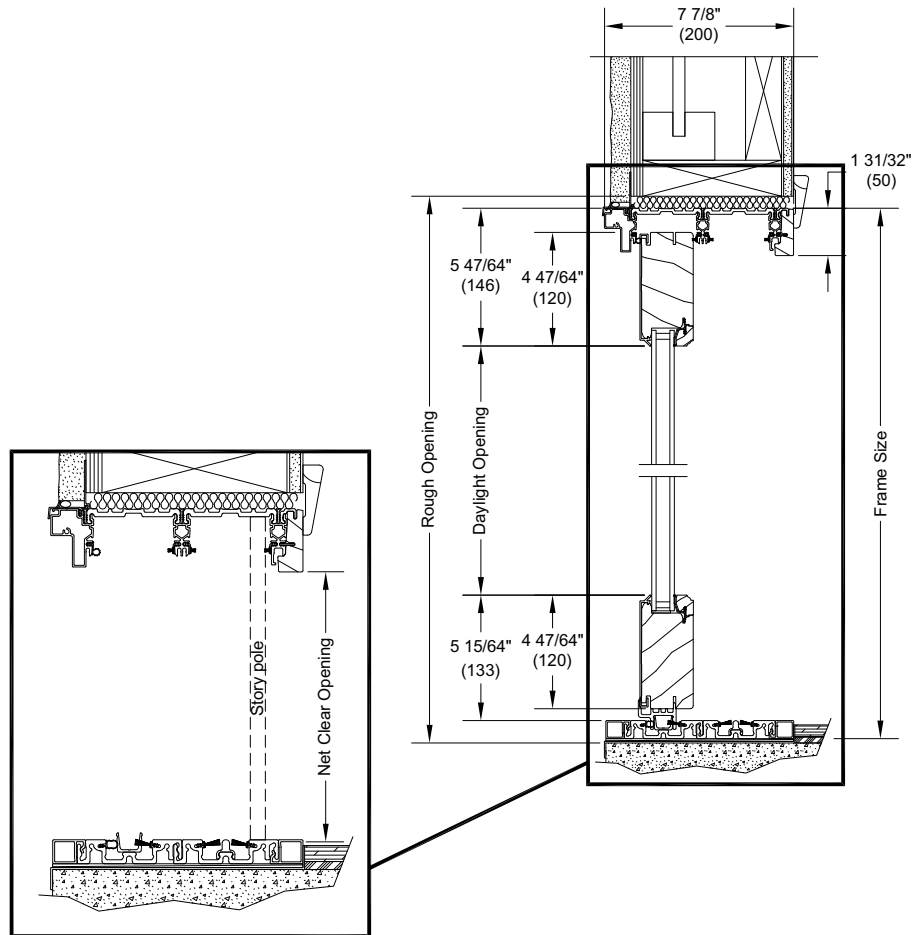
Number of Tracks	Sill Depth	
	ft-in	mm
1 track	0-4 13/16	(122)
2 track	0-7 53/64	(199)
3 track	0-10 27/32	(275)
4 track	1-1 55/64	(352)
5 track	1-4 7/8	(429)
6 track	1-7 29/32	(505)

Description of Measurements Used:

Rough Opening Height: Bottom of sill to 1/2" (13) above the header jamb height.

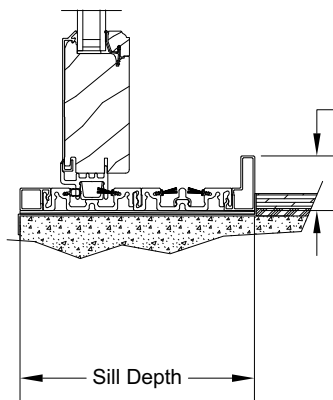
Frame Height: Bottom of sill to top of header jamb.

Net Clear Opening Height: The shortest measurement from the top of sill/sill liner to bottom surface of interior wood liner.



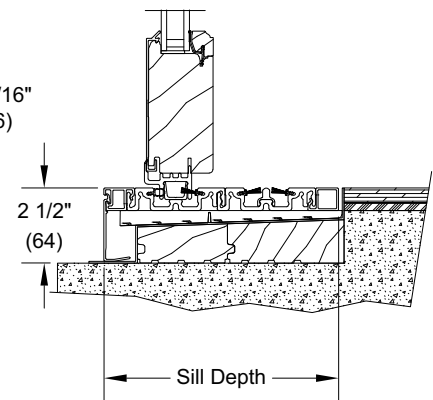
Flush Sill

3/4", Non-Certified



Performance Sill

3/4" with 1 13/16" Interior Liner



High Performance Sill

NOTE: Square sticking is the default for product with a short bottom rail.

Sill Details: High Performance - Stacked and Pocket Units

Scale: Not to Scale

Description of Measurements Used:

Total Rough Opening Height: 1/16" (2) below bottom of sill liner nosing to 1/2" (13) above the header jamb height.

Rough Opening Height: Top of subfloor to 1/2" (13) above the header jamb height.

Frame Height: Bottom of Sill to top of header jamb.

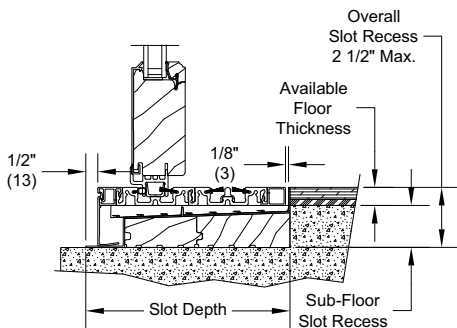
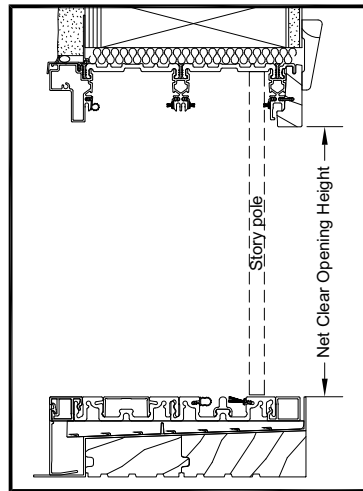
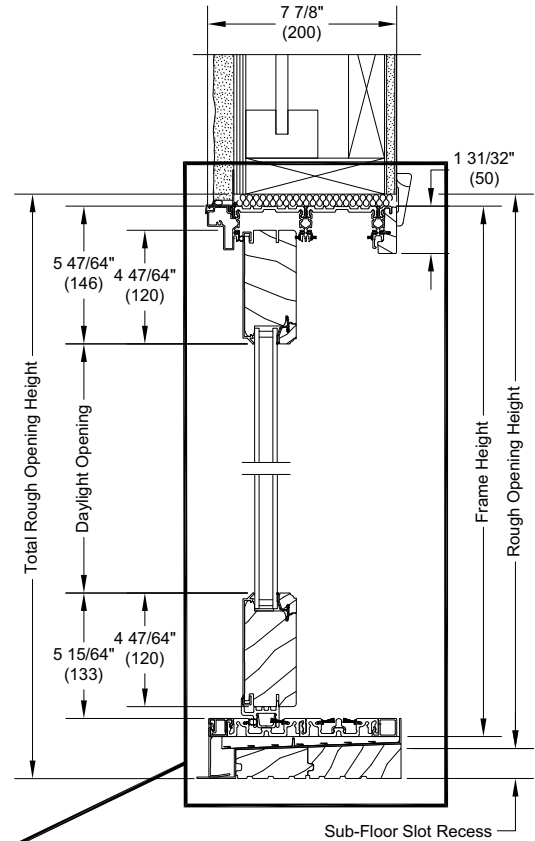
Net Clear Opening Height: The shortest measurement from the top of sill/sill liner to bottom surface of interior wood liner.

System Height: Bottom of sill liner nosing to top of header jamb.

Available Floor Thickness: Top of sill to top of subfloor

High Performance Sill			
Available Floor Thickness		Sub-Floor Slot Recess	
in	mm	in	mm
0	(00)	2 1/2	(64)
1/4	(06)	2 1/4	(57)
1/2	(13)	2	(51)
3/4	(19)	1 3/4	(44)
1	(25)	1 1/2	(38)
1 1/4	(32)	1 1/4	(32)
2 1/2	(64)	0	(00)

NOTE: This chart is intended as a guide only.

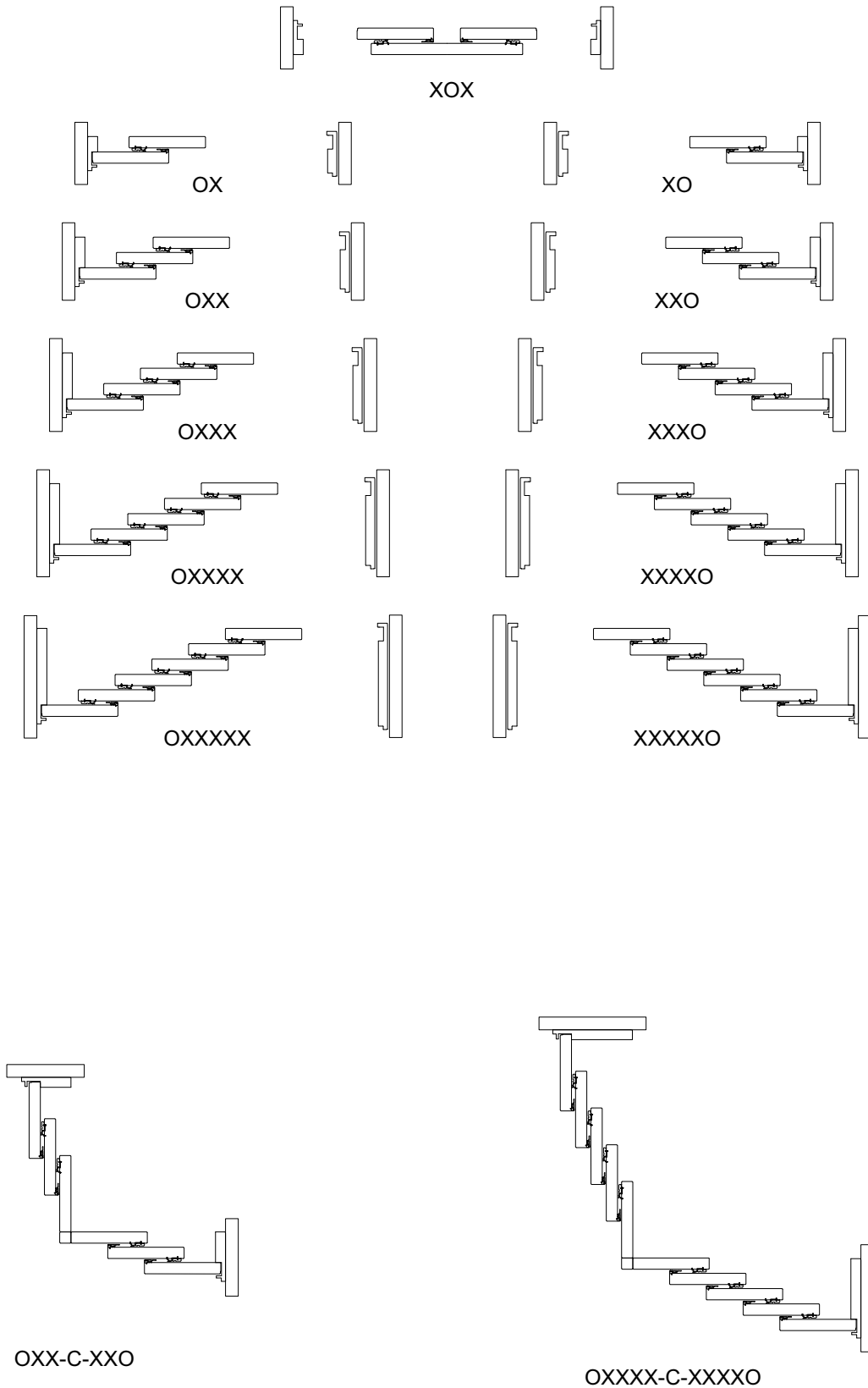


High Performance Sill

Number of Tracks	Slot Depth High Performance Sill	
	ft-in	mm
1 track	0-5 7/16	(138)
2 track	0-8 29/64	(215)
3 track	0-11 15/32	(291)
4 track	1-2 31/64	(368)
5 track	1-5 33/64	(445)
6 track	1-8 17/32	(521)

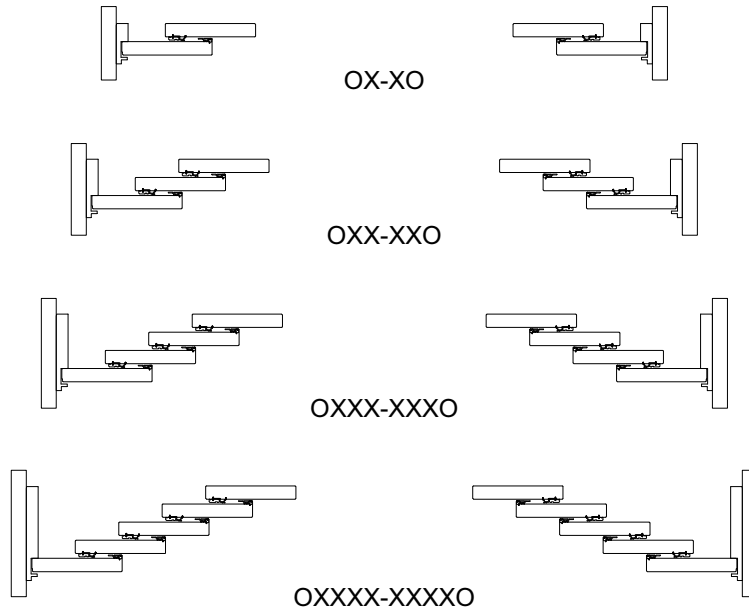
Operating Configurations: Uni-Directional Stacked

Scale: Not to Scale



Operating Configurations: Bi-Parting Stacked

Scale: Not to Scale



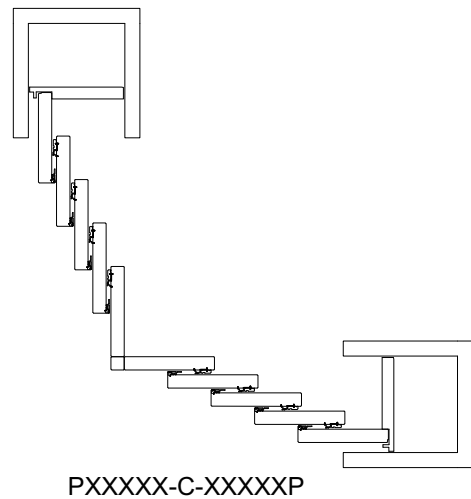
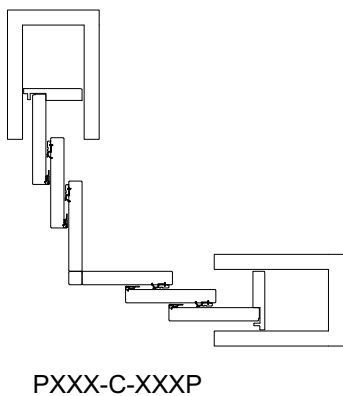
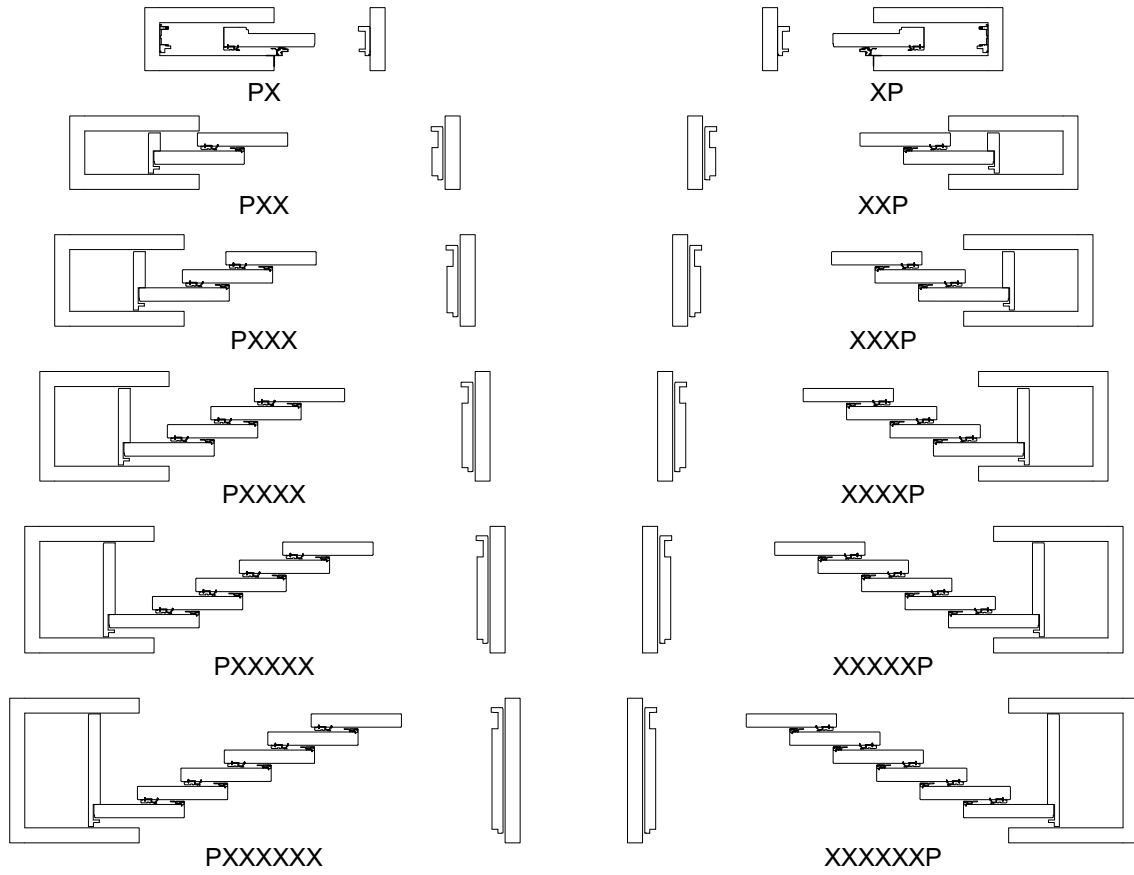
Stacked Units - Jamb Depths

Number of Tracks	Jamb Depths Minimums for Pockets or Stacked		Pocket Depth	
	ft-in	mm	ft-in	mm
1 track	4 55/64	(123)	5 15/64	(133)
2 track	7 7/8	(200)	8 1/4	(210)
3 track	10 57/64	(277)	11 17/64	(286)
4 track	13 59/64	(353)	14 19/64	(363)
5 track	16 15/16	(430)	17 5/16	(440)
6 track	19 61/64	(507)	20 21/64	(516)

NOTE: Jamb depths vary dependent upon operating configuration.

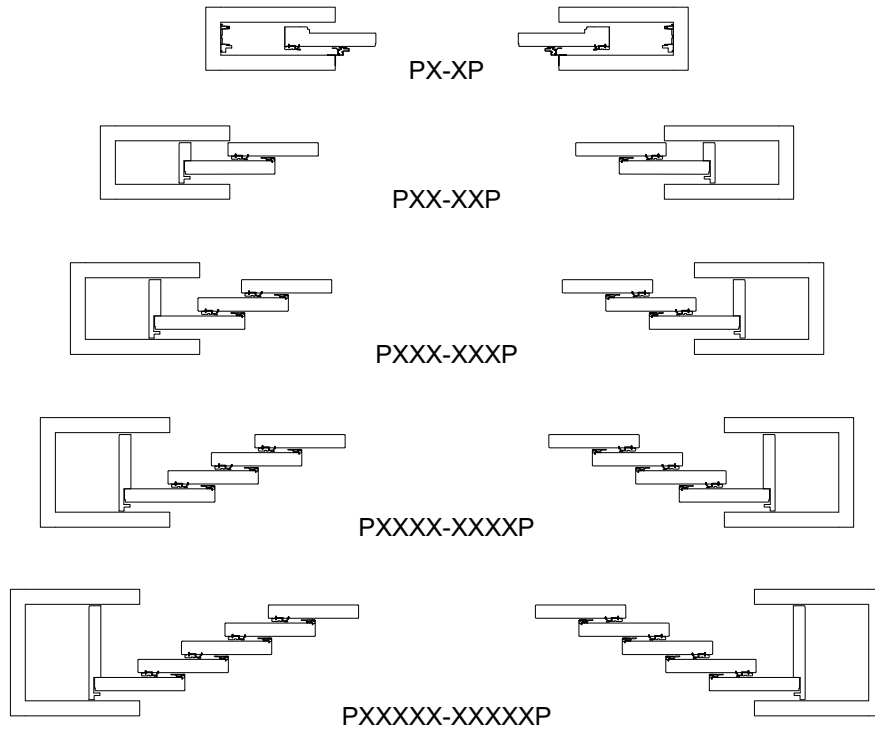
Operating Configurations: Uni-Directional Pocket

Scale: Not to Scale



Operating Configurations: Bi-Parting Pocket

Scale: Not to Scale



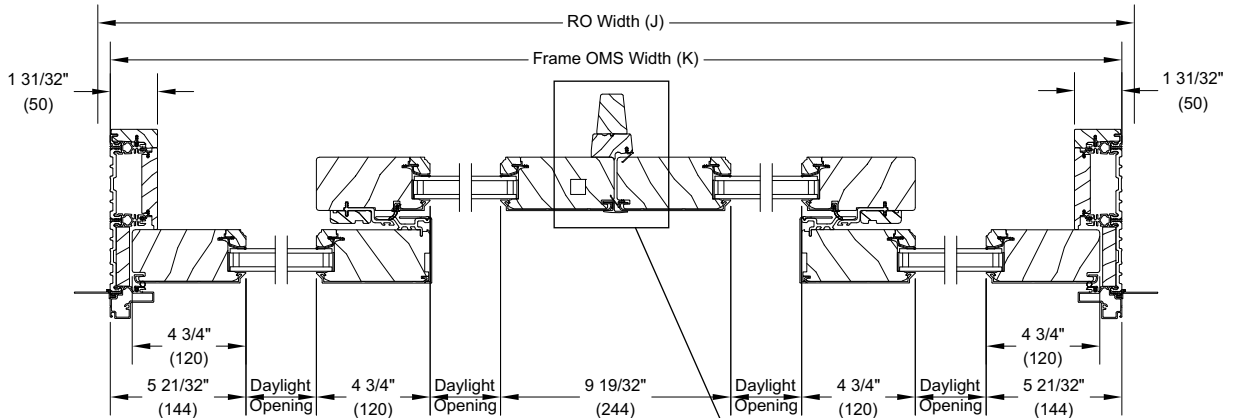
Pocket Units - Jamb Depths

Number of Tracks	Jamb Depths Minimums for Pockets or Stacked		Pocket Depth	
	ft-in	mm	ft-in	mm
1 track	4 55/64	(123)	5 15/64	(133)
2 track	7 7/8	(200)	8 1/4	(210)
3 track	10 57/64	(277)	11 17/64	(286)
4 track	13 59/64	(353)	14 19/64	(363)
5 track	16 15/16	(430)	17 5/16	(440)
6 track	19 61/64	(507)	20 21/64	(516)

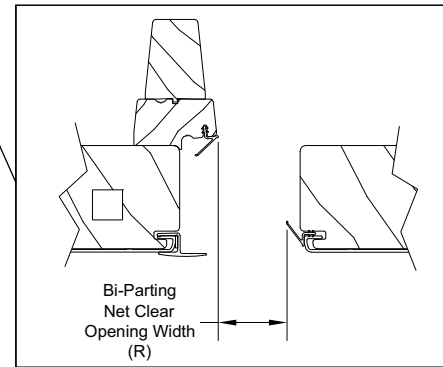
NOTE: Jamb depths vary dependent upon operating configuration.

Section Details: Bi-Parting and Uni-Directional Stacked

Scale: Not to Scale



**UMSD STK
Bi-Parting OX-XO**



Description of Measurements Used:

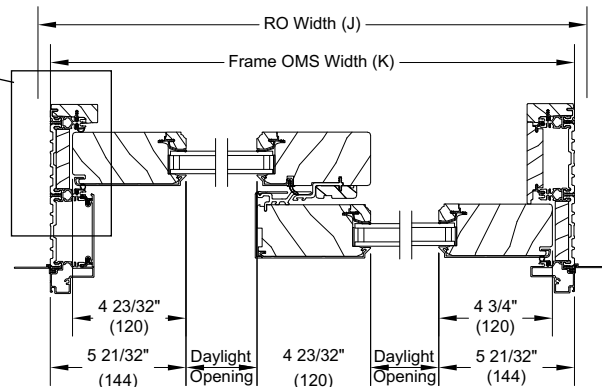
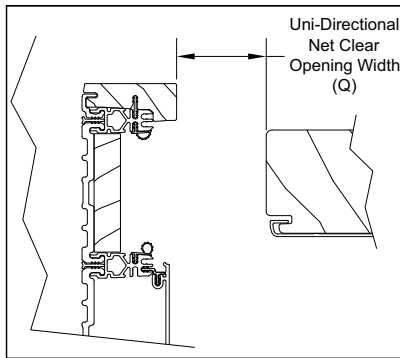
RO Width: 1" (25) wider than OM of frame.

Frame OSM Width: OM of jamb to OM of jamb.

Bi-Parting Net Clear Opening Width: The shortest measurement from the surface of the panel edge to the surface of the astragal.

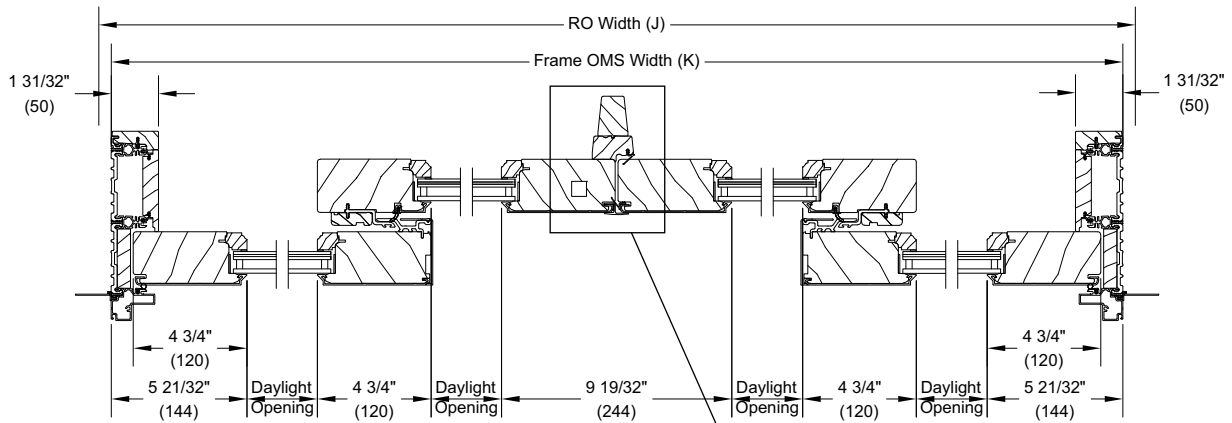
Uni-Directional-Net Clear Opening Width: The shortest measurement from the surface of the wood interior liner to the surface of the panel edge.

**UMSD STK
Uni-Directional XO**

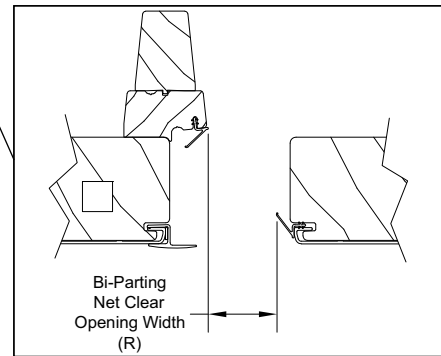


Section Details: IZ3 - Bi-Parting and Uni-Directional Stacked

Scale: Not to Scale



**UMSD STK
Bi-Parting OX-XO
8-0 Height and under**



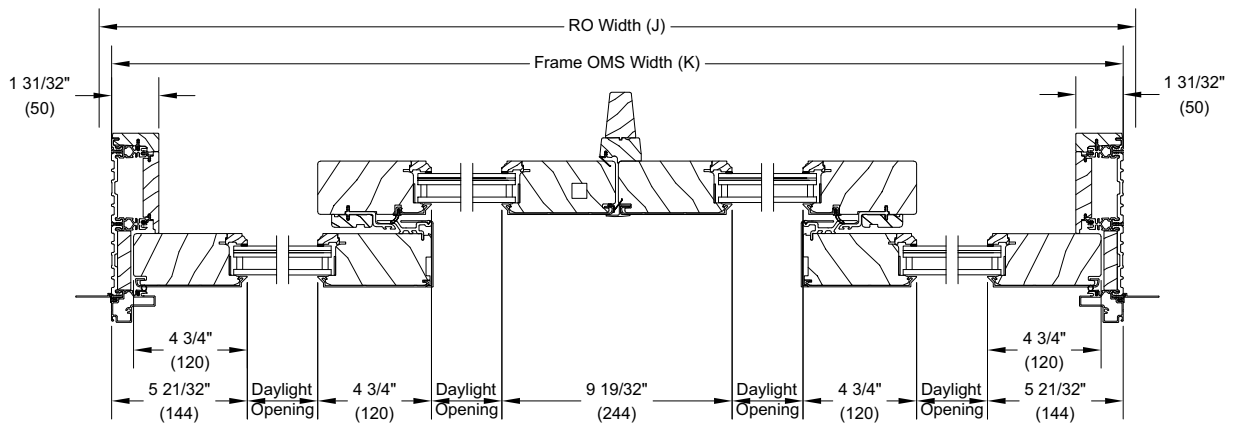
Description of Measurements Used:

RO Width: 1" (25) wider than OM of frame.

Frame OSM Width: OM of jamb to OM of jamb.

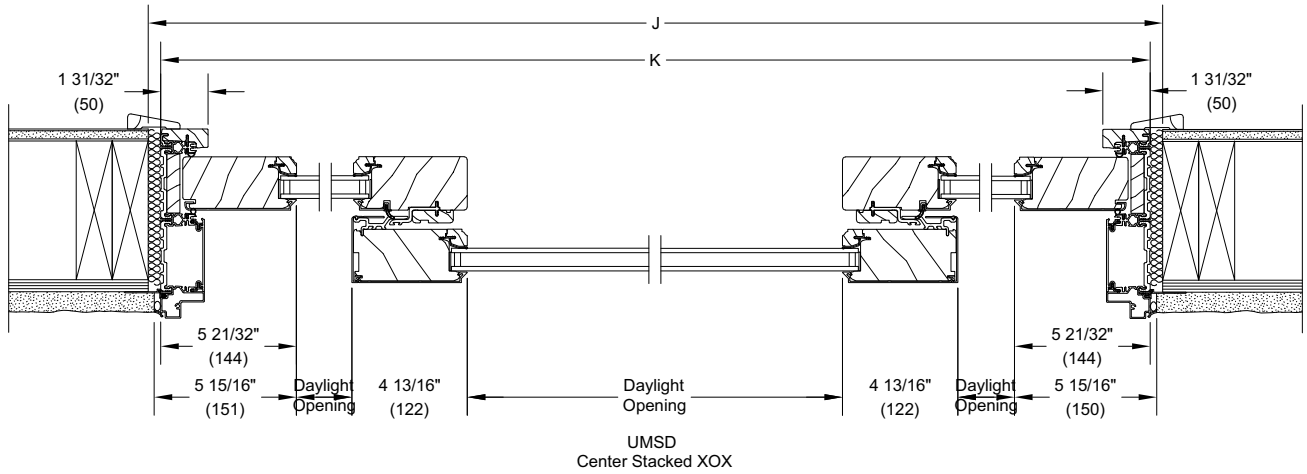
Bi-Parting Net Clear Opening Width: The shortest measurement from the surface of the panel edge to the surface of the astragal.

**UMSD STK
Bi-Parting OX-XO
Over 8-0 Height**



Section Details: Center Stacked - XOX

Scale: Not to Scale



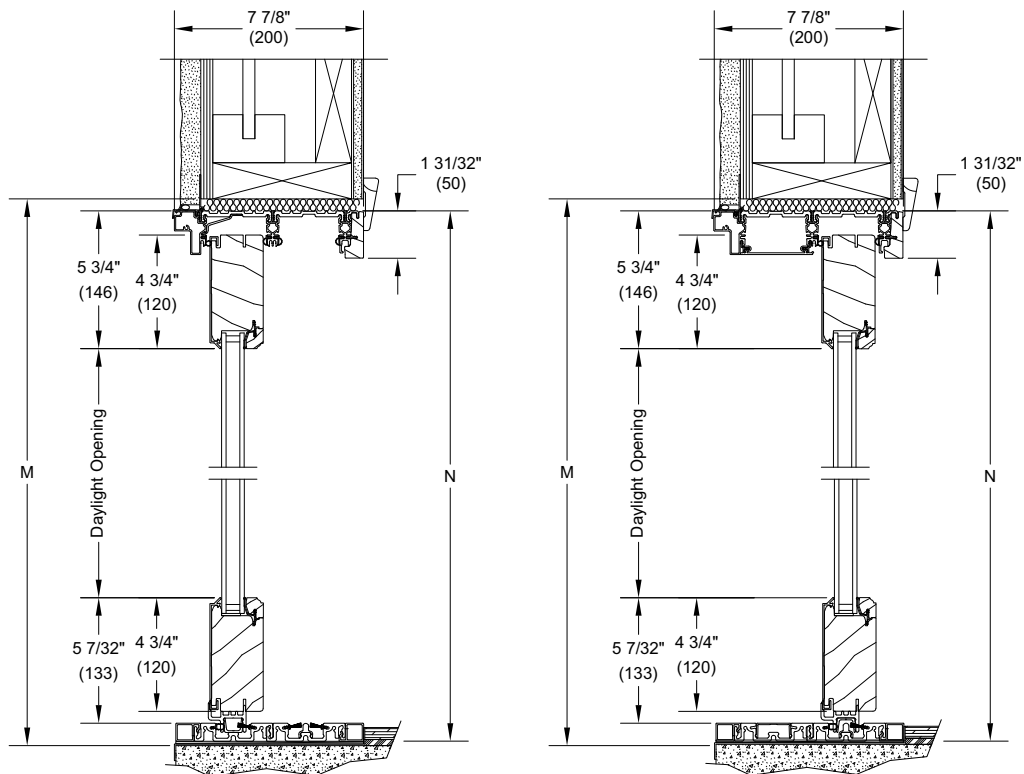
Description of Measurements Used:

RO Width: 1" (25) wider than OM of frame.

Frame OSM Width: OM of jamb to OM of jamb.

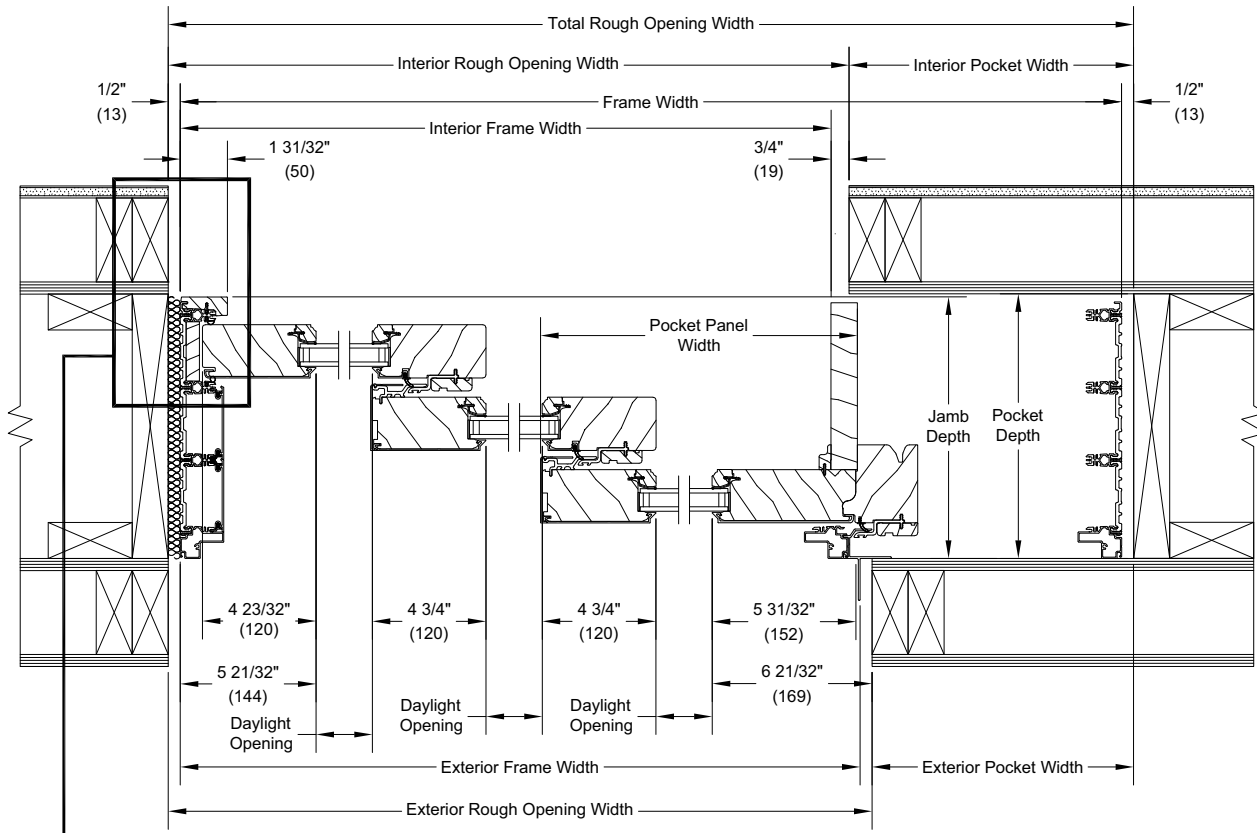
Uni-Directional-Net Clear Opening Width: The shortest measurement from the surface of the wood interior liner to the surface of the panel edge.

Bi-Parting Net Clear Opening Width: The shortest measurement from the surface of the panel edge to the surface of the astragal.

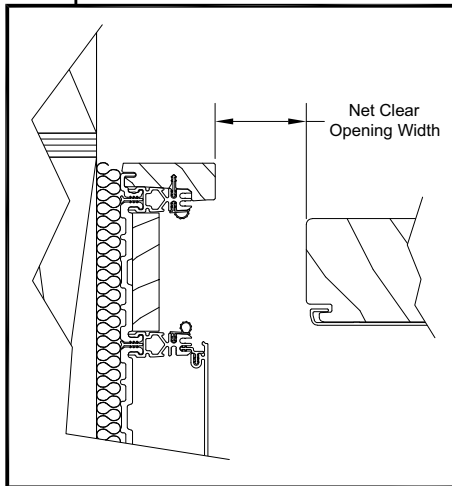


Section Details: Uni-Directional Pocket

Scale: Not to Scale



UMSD PKT - XXXP



Description of Measurements Used:

Total RO Width: Is 1" (25) wider than Frame OM

Frame OM Width: OM of jamb to OM of jamb.

Interior RO Width To the interior plane of the door and is 1 1/4" (32) (5 1/2" (140) for PX/XP configuration) wider than the interior frame width.

Interior Frame Width: Interior surface of pocket cover to OM of jamb.

Exterior Frame Width: Pocket interlock to OM of jamb.

Exterior RO Width: 1" (25) wider than exterior frame width.

Exterior Pocket Width: Exterior wall RO to Total Rough Opening.

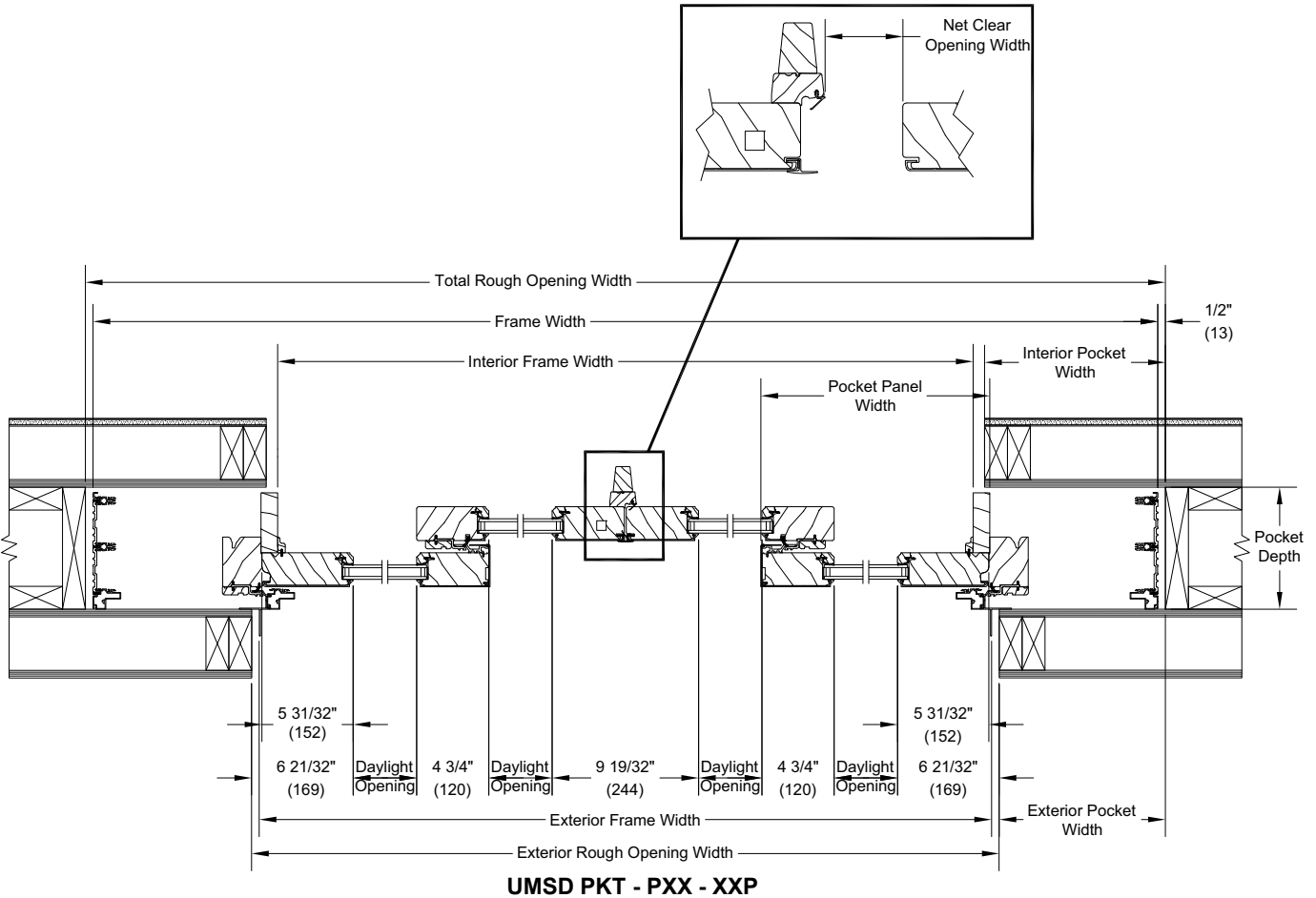
Interior Pocket Width: Interior wall RO to Total Rough Opening.

Pocket Depth: Is measured from the pocket interlock attachment to the interior surface of the pony wall.

Net Clear Opening Width: The shortest measurement from the surface of the wood interior liner to the surface of the panel edge.

Section Details: Bi-Parting Pocket

Scale: Not to Scale



Description of Measurements Used:

Total RO Width: Is 1" (25) wider than Frame OM.

Frame OM Width: OM of Jamb to OM of Jamb.

Interior RO Width To the interior plane of the door and is 1 1/2" (38) (10" (254) for PX-XP configuration) wider than the interior frame width.

Interior Frame Width: Interior surface of pocket cover to interior surface of pocket cover.

Exterior Frame Width: Pocket interlock to pocket interlock.

Exterior RO Width: 1" wider than exterior frame width.

Exterior Pocket Width: Exterior Wall RO to Total Rough Opening.

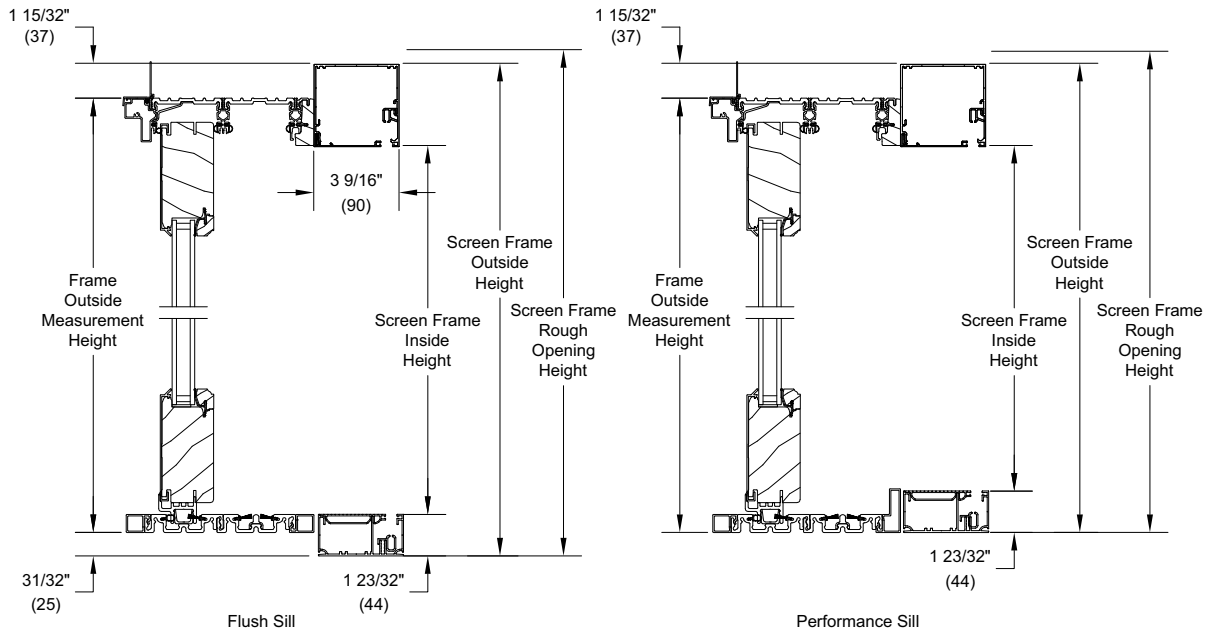
Interior Pocket Width: Interior Wall RO to Total Rough Opening.

Pocket Depth: Is measured from the pocket interlock attachment to the interior surface of the pony wall.

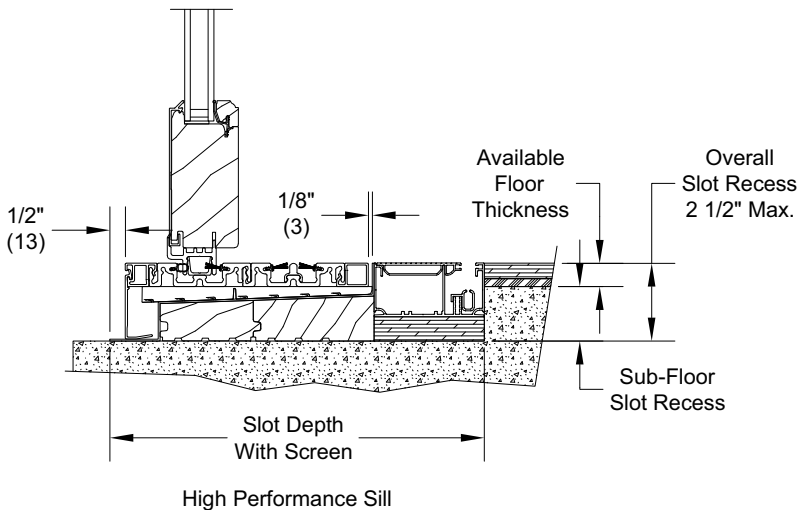
Net Clear Opening Width: The shortest measurement from the surface of the panel edge to the surface of the astragal.

Sill Details - Flush and Performance - Stacked and Pocket Units with Screen

Scale: Not to Scale



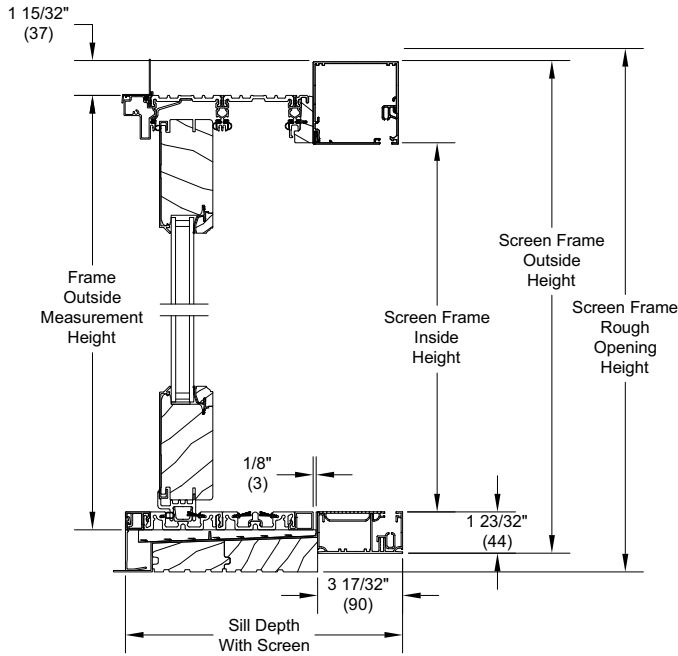
	Sill Depth		Sill Depth with screen	
	ft-in	mm	ft-in	mm
1 track	0-4 13/16	(122)	0-8 11/32	(212)
2 track	0-7 53/64	(199)	0-11 23/64	(289)
3 track	0-10 27/32	(275)	1-2 25/64	(365)
4 track	1-1 55/64	(352)	1-5 13/32	(442)
5 track	1-4 7/8	(429)	1-8 27/64	(519)
6 track	1-7 29/32	(505)	1-11 7/16	(595)



Sill Details - High Performance - Stacked and Pocket Units with Screen

Scale: Not to Scale

The primary screen pull bar meeting location for Uni-Directional stacked doors will be centered on the stationary panel interlocking stile.



High Performance Sill

High Performance Sill			
Available Floor Thickness		Sub-Floor Slot Recess	
in	mm	in	mm
0	(00)	2 1/2	(64)
1/4	(06)	2 1/4	(57)
1/2	(13)	2	(51)
3/4	(19)	1 3/4	(44)
1	(25)	1 1/2	(38)
1 1/4	(32)	1 1/4	(32)
2 1/2	(64)	0	(00)

Note: This chart is intended as a guideline only

Number of Tracks	High Performance Sill			
	Sill Depth with Screen		Slot Depth with Screen	
	ft-in	mm	ft-in	mm
1 track	0-8 11/32	(212)	0-9 7/32	(234)
2 track	0-11 23/64	(289)	1-0 1/4	(311)
3 track	1-2 25/64	(365)	1-3 17/64	(388)
4 track	1-5 13/32	(442)	1-6 9/32	(464)
5 track	1-8 27/64	(519)	1-9 19/64	(541)
6 track	1-11 7/16	(595)	2-0 21/64	(618)

Description of Measurements Used:

Frame Outside Measurement: Bottom of sill to top of the door

Screen Frame Outside Height: Bottom of screen sill to top of screen head jamb

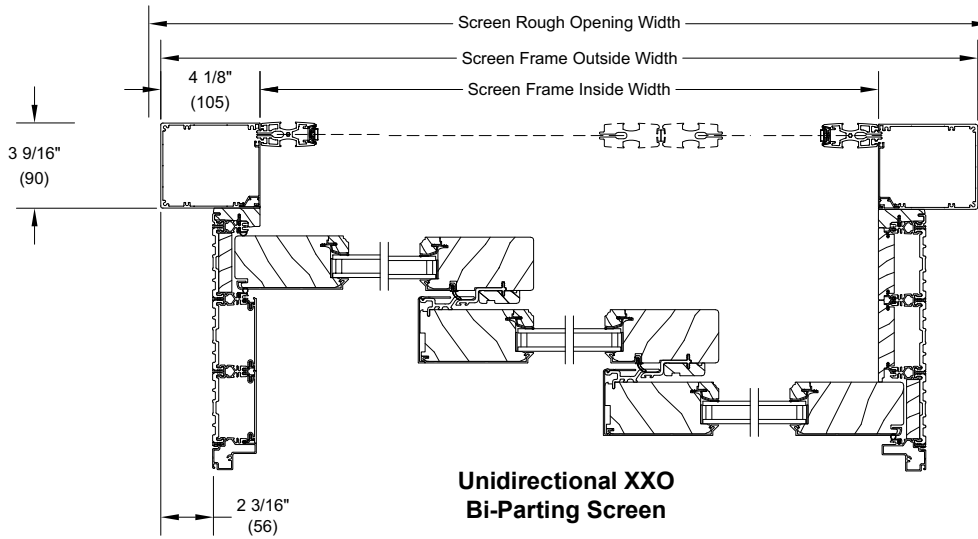
Screen Frame Inside Height: Top of screen sill to bottom of screen head jambs. Flush with inside door liners

Screen Frame Rough Opening: Bottom of total RO to 1/2" (13) above screen Frame

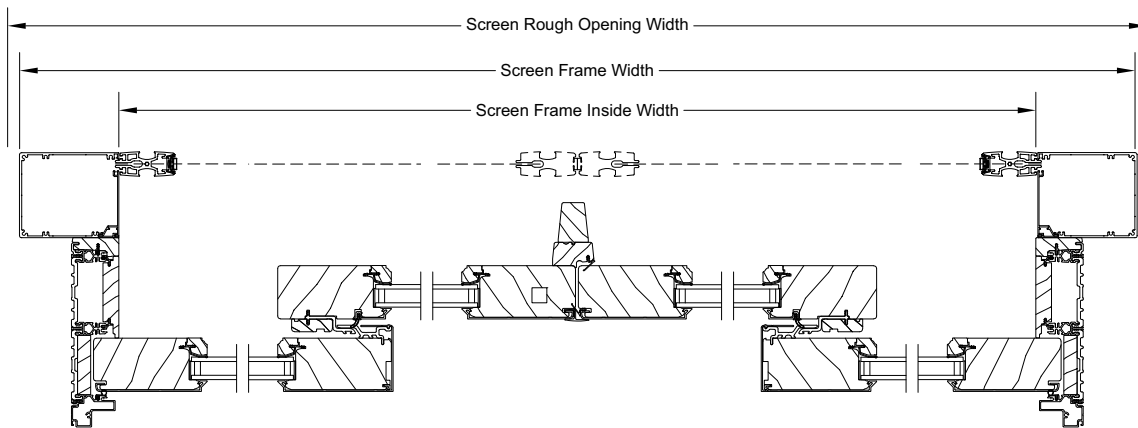
The screen pull bar meeting location for bi-parting doors will be set at the center of the screen.

Section Details: Uni-Directional and Bi-Parting Stacked with Screen

Scale: Not to Scale



If the distance from the screen cartridge to the primary meeting location exceeds the screen size limits, the meeting location will move to the next set of interlocks.



**Bi-Parting OX-XO
Bi-Parting Screen**

Description of Measurements Used:

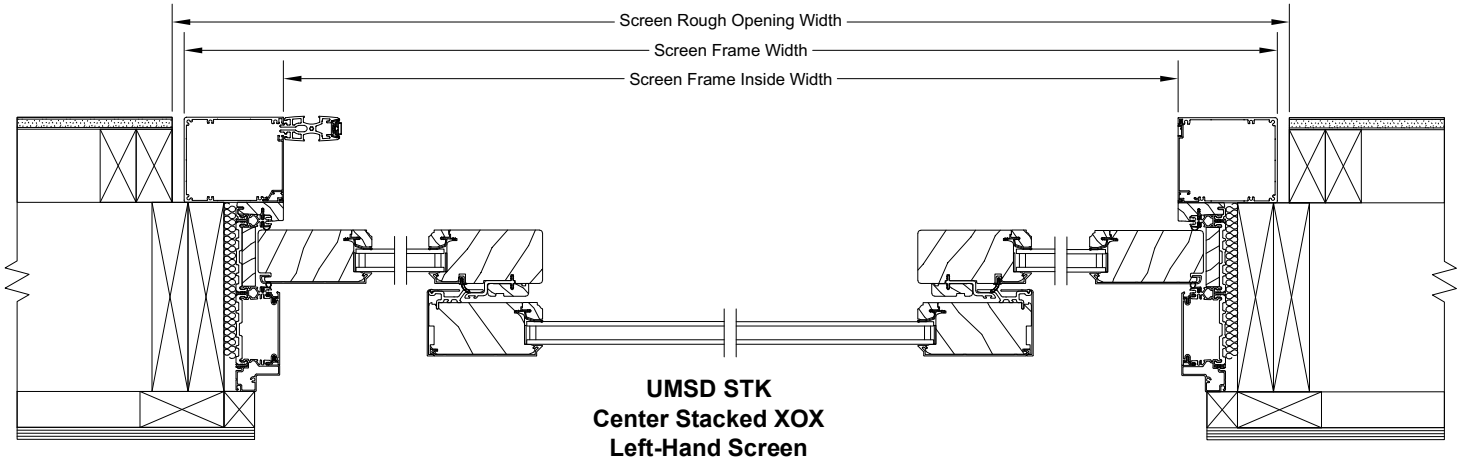
Screen Rough Opening Width: 1" wider than Screen Frame Outside Width

Screen Frame Outside Width: The widest measurement of the screen frame width

Screen Frame Inside Width: Inside measurement of door and screen to interior

Section Details: Center Stacked with Screen - XOX

Scale: Not to Scale



Description of Measurements Used:

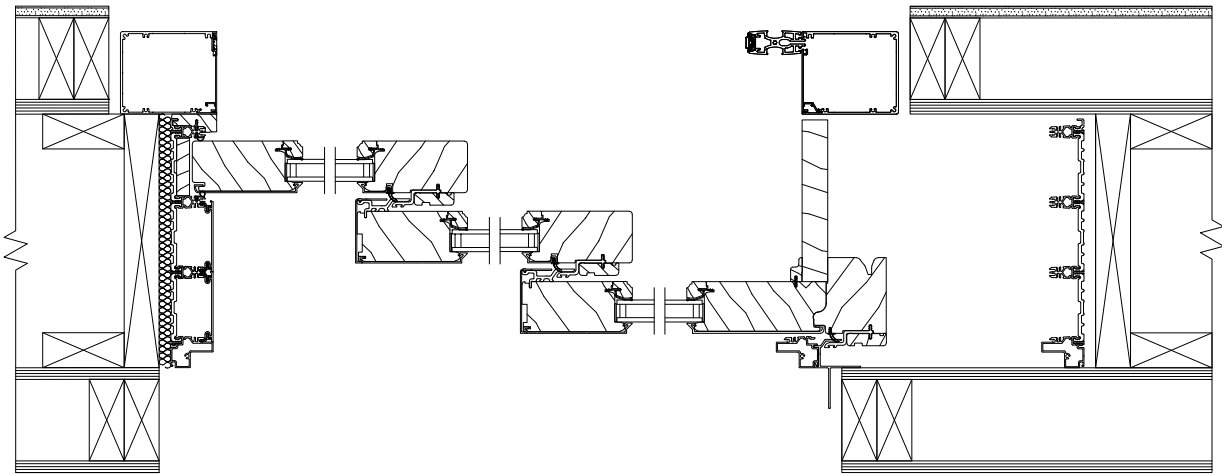
Screen Rough Opening Width: 1" wider than Screen Frame Outside Width

Screen Frame Outside Width: The widest measurement of the screen frame width

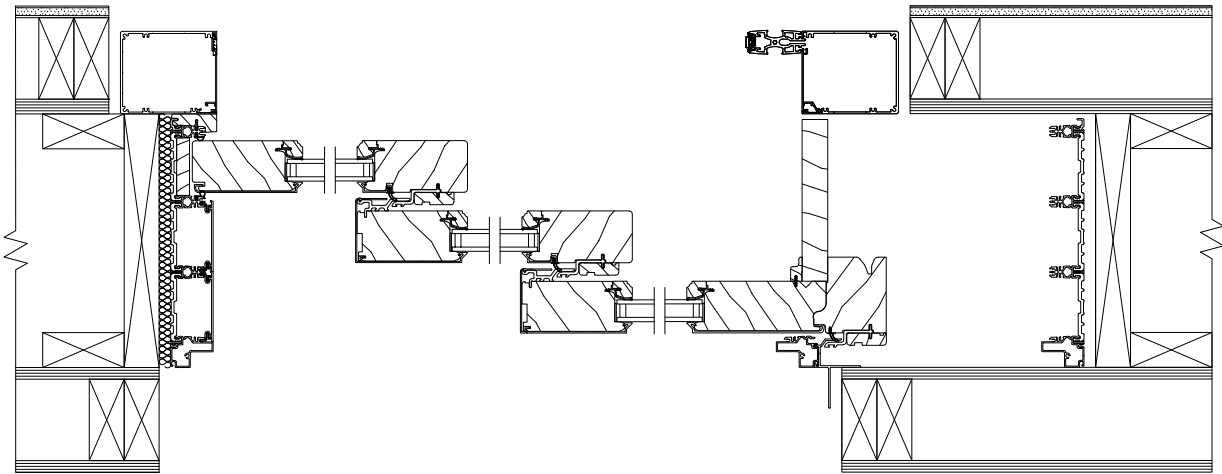
Screen Frame Inside Width: Inside measurement of door and screen to interior

Section Details: Uni-Directional and Bi-Parting Pocket with Screen

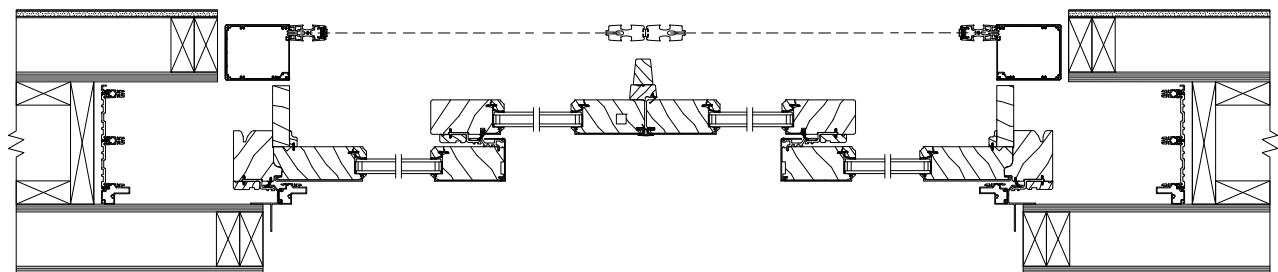
Scale: Not to Scale



Uni-Directional XXXP
with right-hand screen



Uni-Directional XXXP
with bi-parting screen



UMSD PKT
Bi-Parting PXX - XXP

Description of Measurements Used:

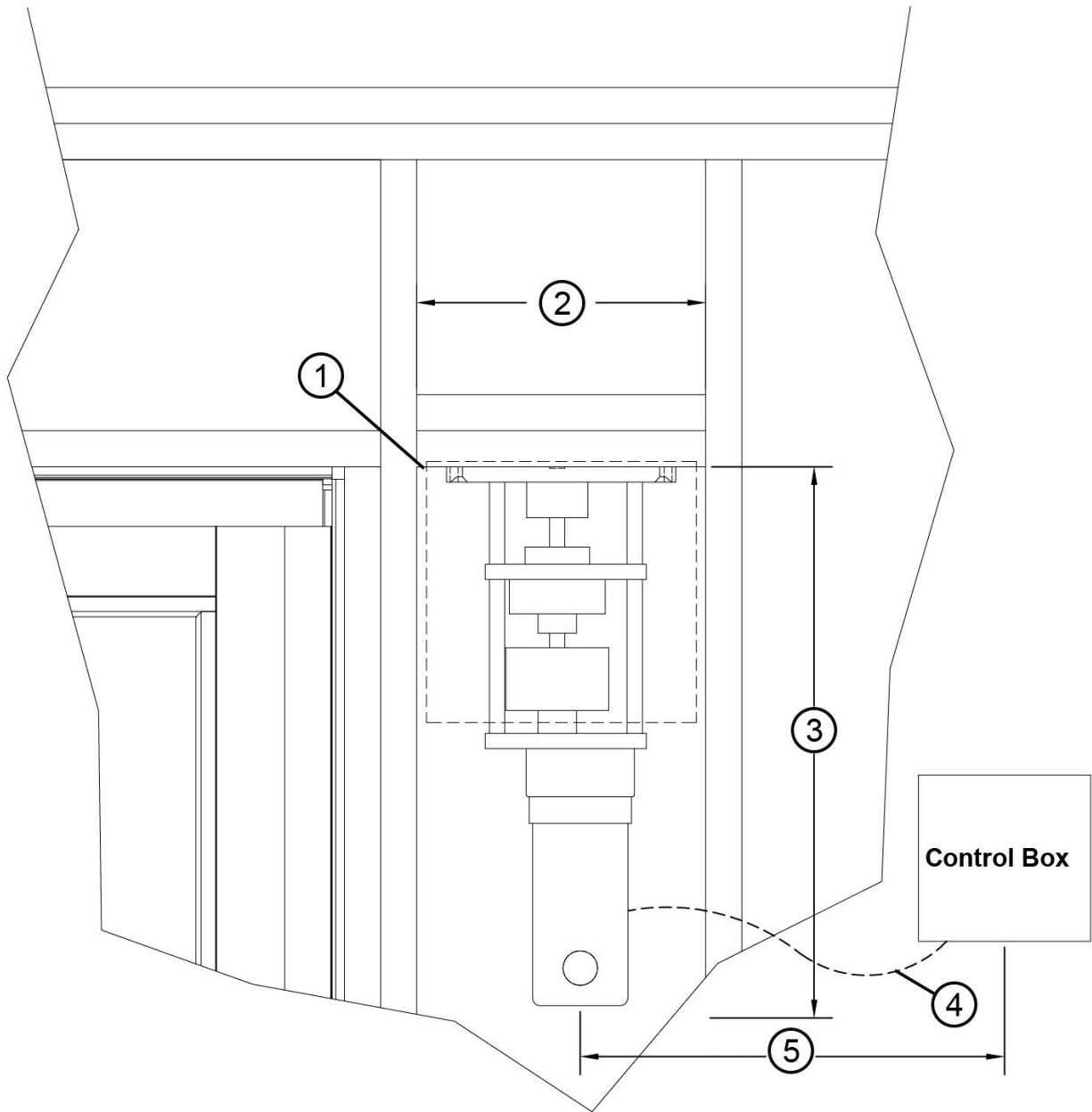
Screen Rough Opening Width: 1" wider than Screen Frame Outside Width

Screen Frame Outside Width: The widest measurement of the screen frame width

Screen Frame Inside Width: Inside measurement of door and screen to interior

Section Details: Uni-Directional and Bi-Parting Stacked with Sliding Door Automatic Control

Scale: Not to Scale

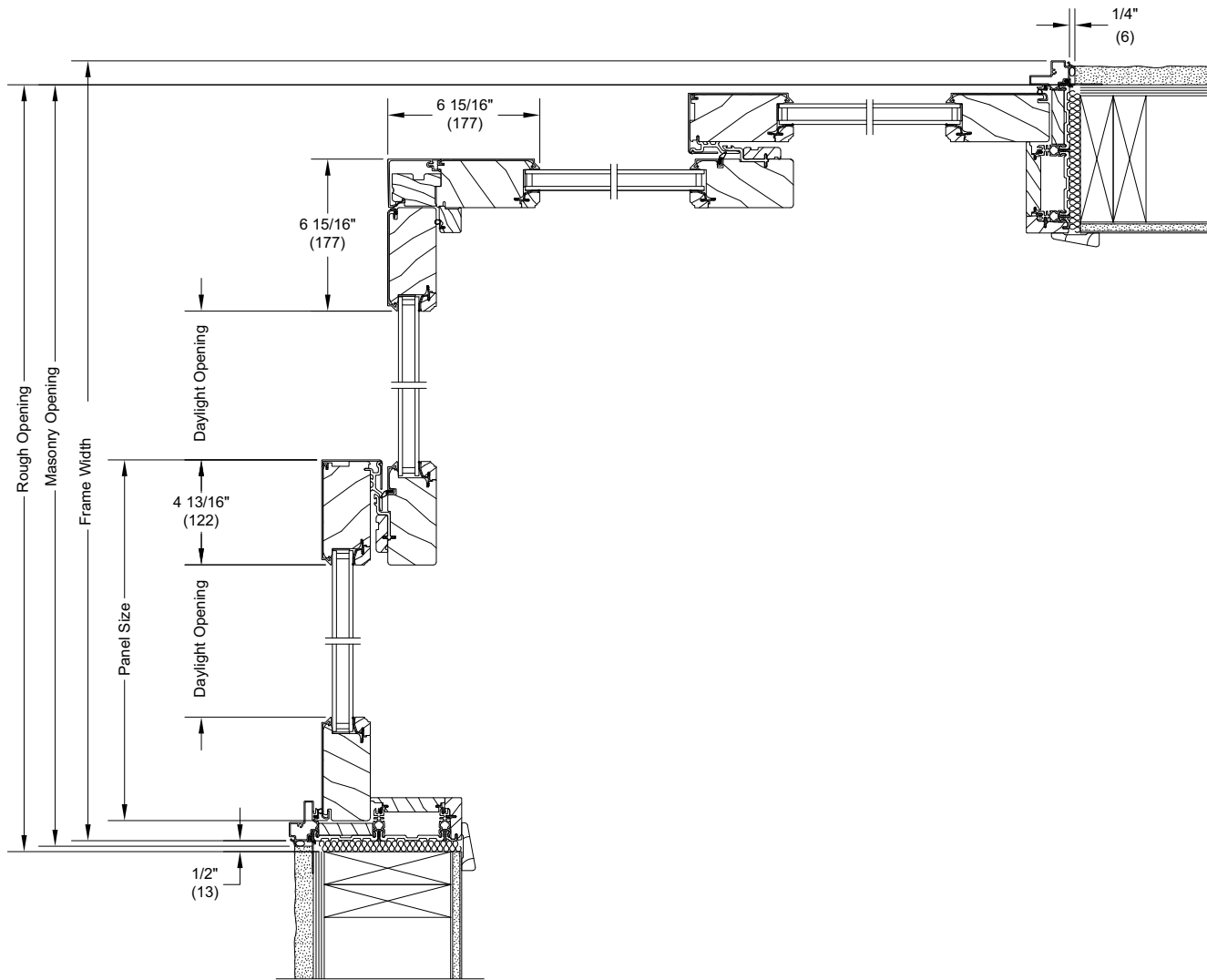


*NOTE: Per local codes, the controller requires a 110VAC power connection
Sliding Door Automatic Control not available with Corner Doors.*

1	Access panel 12" wide minimum x 12" wide minimum
2	12" (305) Opening width minimum
3	24" (610) Opening height minimum
4	14-2 Power and CAT5e cables
5	Controller placed up to 100' away

Section Details: Corner Door

Scale: Not to Scale



NOTE: Stacked configurations shown. Also available for pocket configurations.