

Vivid Bi-Fold Door

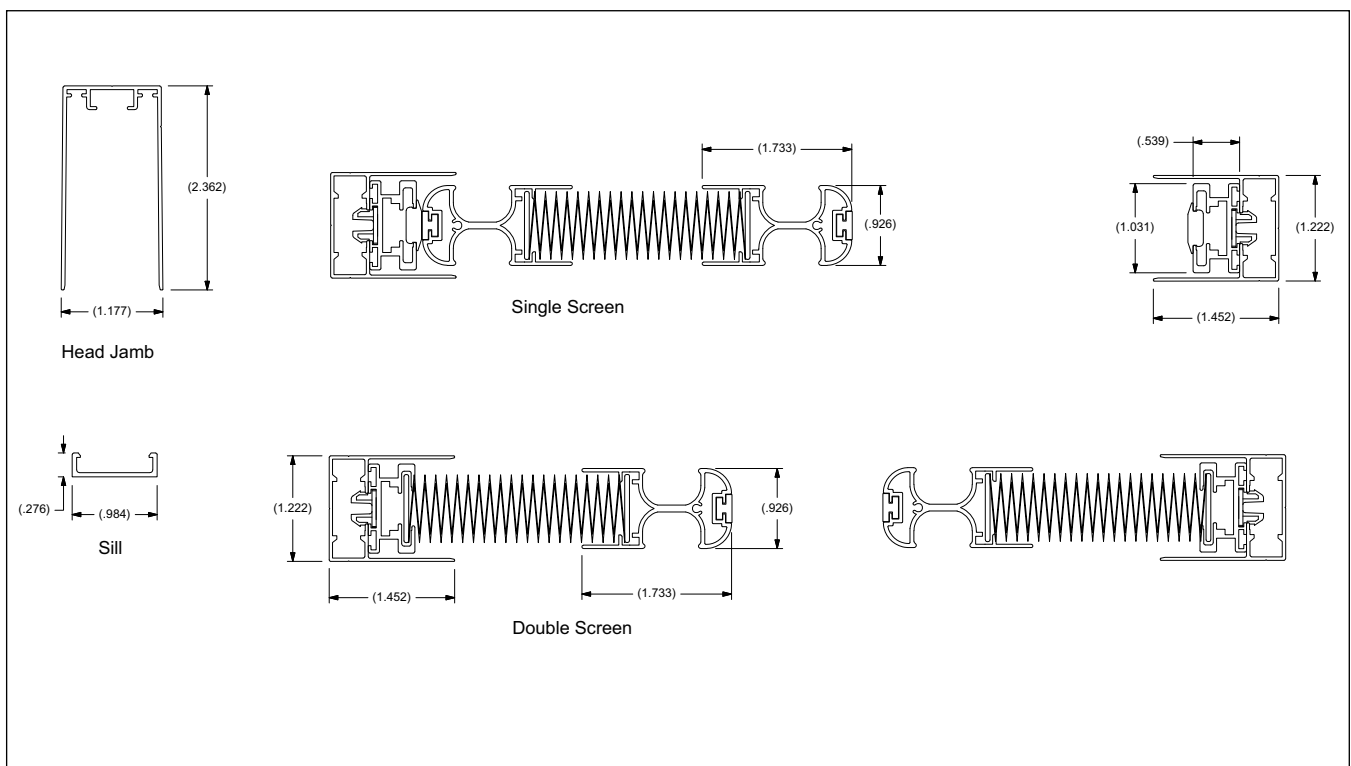
Screen Availability and Measuring Charts

Preface

The purpose of this document is to detail how the Retractable Pleated Screen interacts with the Bi-Fold door. Depending of configuration and screen type, there may be handle set interference while operating the screen when the door is shut.

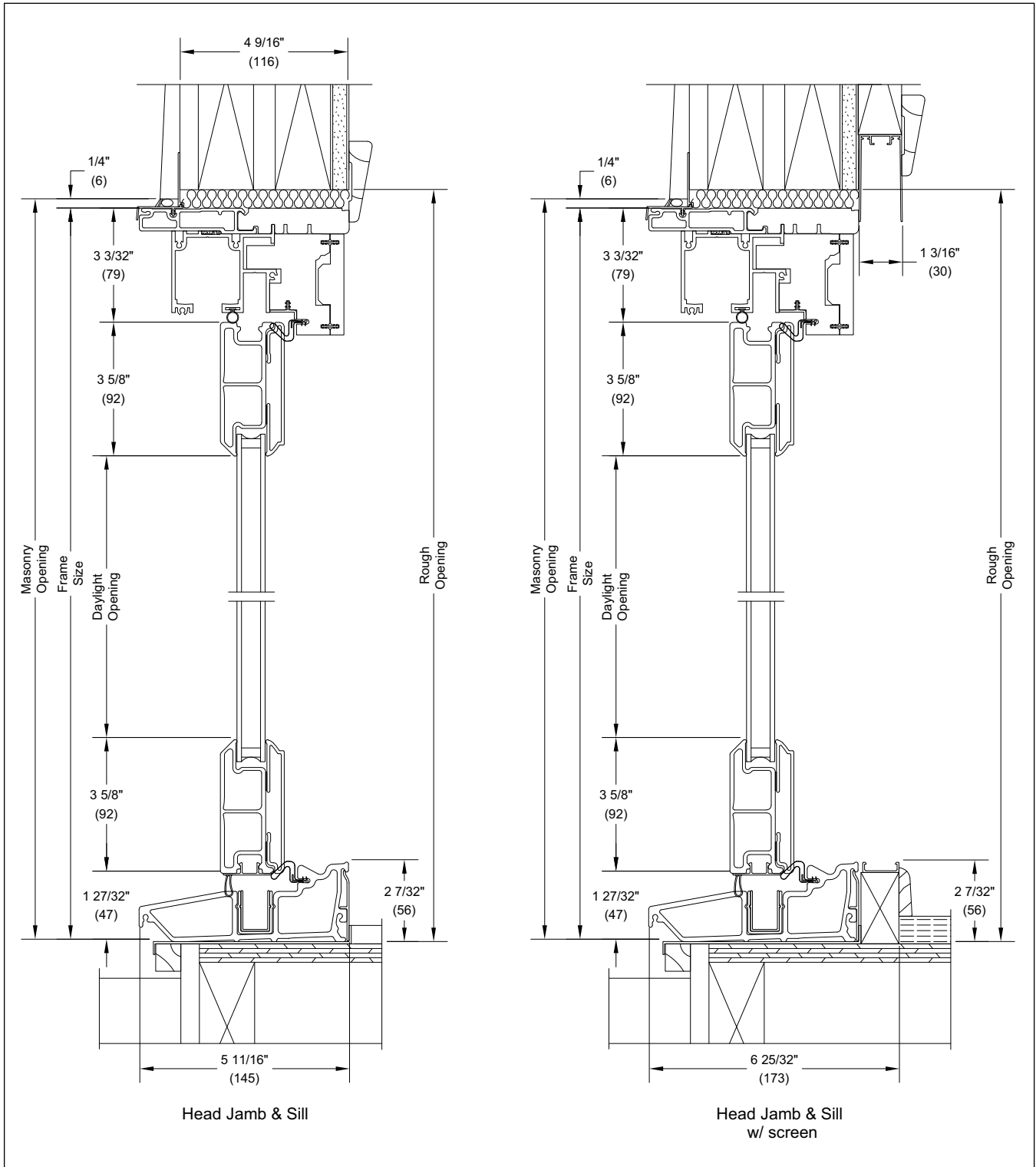
Screen Details

- Single screen maximum width is 177" (4496 mm)
- Double screen maximum width is 315" (8001 mm)
- Maximum height for both types is 118" (2997 mm)



Ordering and Installation Options

The Vivid Bi-Fold Screen has two installation options. Outside jamb is a fixed opening size that is installed outside the standard Bi-Fold frame. This requires a mounting surface that protrudes from the Bi-Fold depth of at least 1.25". See sections for details. Custom size screen is also available. This allows the screen to be fitted in a custom size opening.

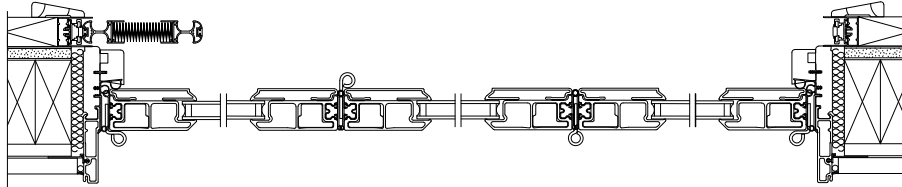


Screen Interaction with Bi-Fold Handle Sets

Details on how the screen interacts with the bi-fold door is dependent on a few variables: the door configuration, the screen type, and the installation method for the screen.

Bi-Parting Configurations

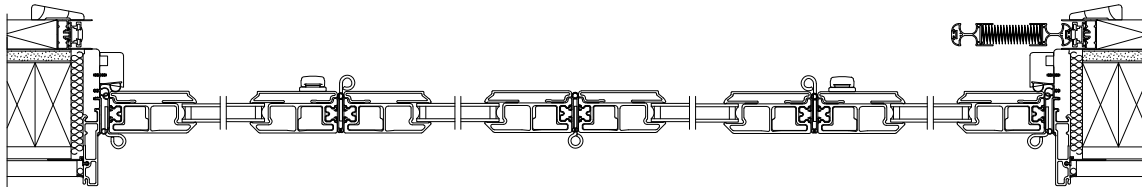
Configurations affected: 1L1R, 2L1R, 1L2R, 3L1R, 1L3R, 4L1R, 1L4R, 5L1R, 1L5R, 3L3R, 6L1R, 1L6R



VNBFLD 3L
Left Single Retractable Pleated Screen

Even Configurations

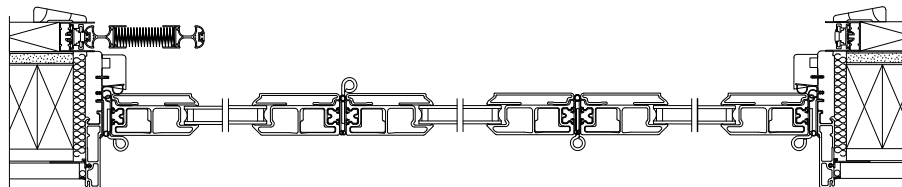
Configurations affected: 2L, 2R, 4L, 4R, 2L2R, 6L, 6R



VNBFLD 4R
Right Single Retractable Pleated Screen

Odd Uni-Directional Configurations

Configurations affected: 1L, 1R, 3L, 3R, 5L, 5R, 7L, 7R



VNBFLD 3L
Left Single Retractable Pleated Screen

NOTE: the 1L and 1R configurations can only be ordered with a single screen.

GENIUS SCREEN INFORMATION SHOWCASING POTENTIAL HANDLE SET INTERFERENCE

Screen Size Constraints

Single Max Opening Width = 177" Double Max Opening Width = 315"

Installation Options

Outside Jamb

- Install screen mated to the interior face of the door frame by building out the interior wall or creating a mounting surface via trim or molding.

Outside Jamb w/ Jamb Extension

- Jamb Extension (at least .798" for Northfield or 1.065" for Cambridge) to avoid any handle set interference.

Inside Jamb

- Install screen to the Jamb Extension (requires at least 1.25" Jamb Extension)

1	No interference (closed or open)
2	No interference (but the handle might be annoying/hard to access)
3	Interference when the door and screen are shut (no issues when the door is open)
4	Interference that would not allow the door to shut (screen cannot be installed)

	Single Screen/Zig Zag 1														
	1L, 1R	2L, 2R	1L1R	3L, 3R	2L1R, 1L2R	4L, 4R	3L1R, 1L3R	2L2R	5L, 5R	4L1R, 1L4R	6L, 6R	5L1R, 1L5R	3L3R	7L, 7R	6L1R, 1L6R
Outside Jamb	3	1	3	3	3	1	3	1	3	3	1	3	3	3	3
Outside Jamb w/ Extension	1	1	1	1	1	1	1	1	1	1	1	1	1	1	1
Inside Jamb	3	1	3	3	3	1	3	1	3	3	1	3	3	3	3

	Double Screen/Zig Zag 2														
	1L, 1R	2L, 2R	1L1R	3L, 3R	2L1R, 1L2R	4L, 4R	3L1R, 1L3R	2L2R	5L, 5R	4L1R, 1L4R	6L, 6R	5L1R, 1L5R	3L3R	7L, 7R	6L1R, 1L6R
Outside Jamb	N/A	1	3	4	3	1	3	1	4	3	1	3	3	4	3
Outside Jamb w/ Extension	N/A	1	1	2	1	1	1	1	2	1	1	1	1	2	1
Inside Jamb	N/A	1	3	4	3	1	3	1	4	3	1	3	3	4	3