



Elevate Bi-Fold Door

Replacement Parts

Specifications and technical data are subject to change without notice.

Numbers listed in () parentheses are metric equivalents in millimeters rounded to the nearest whole number.

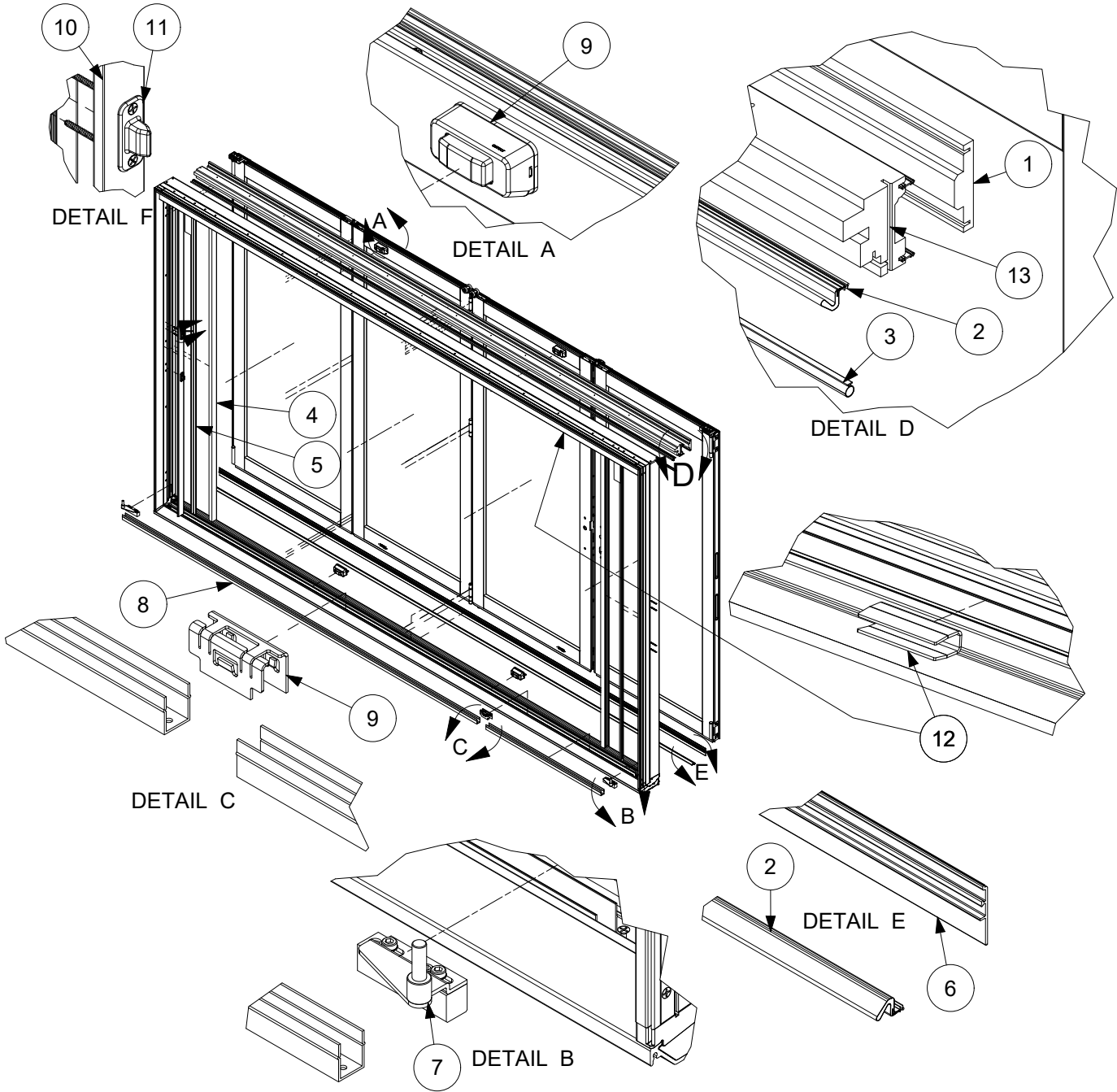
Suggested fasteners are not included and must be ordered separately.

Illustrations are not to scale.

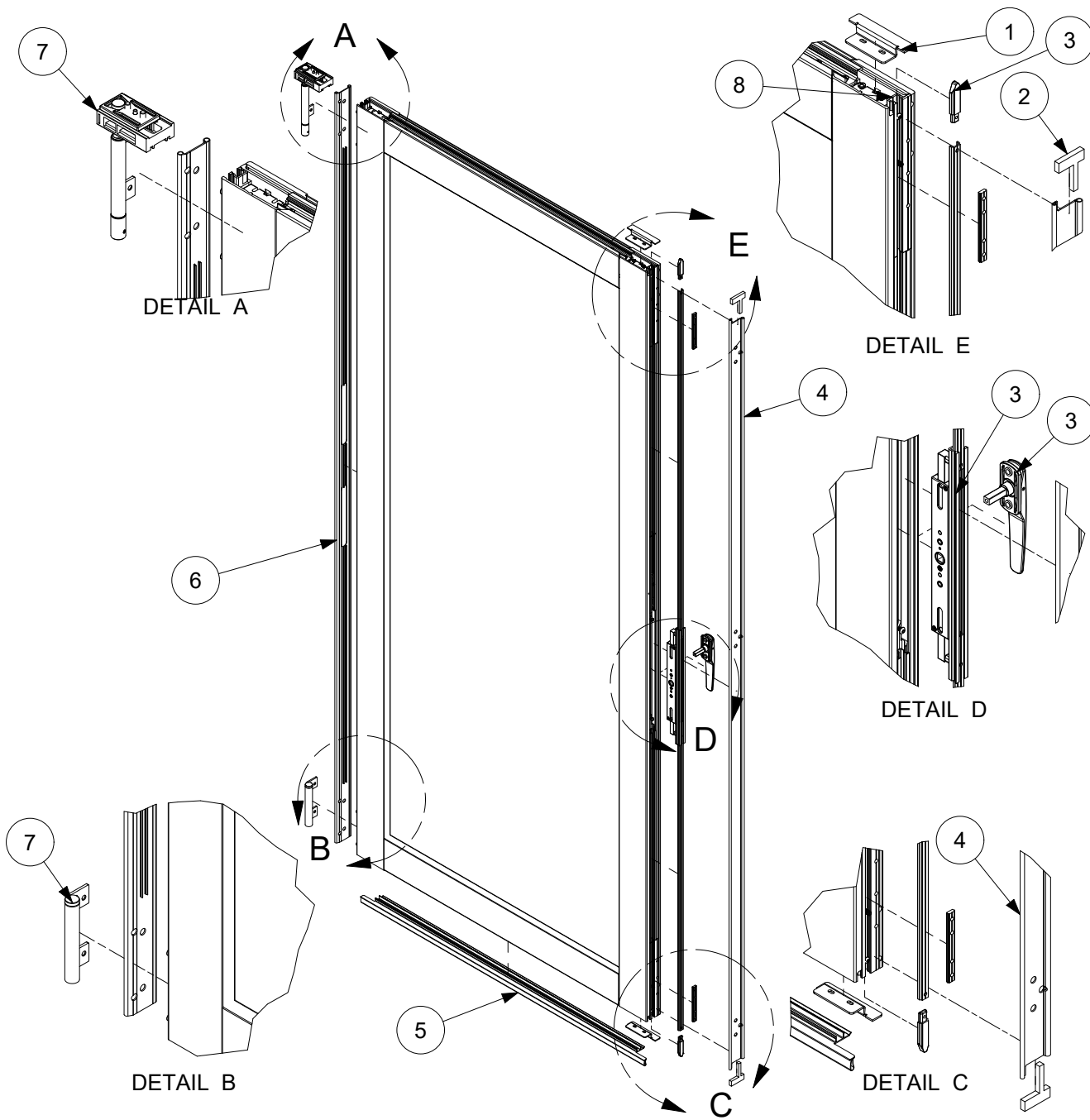
Contents

Product History.....	2
Part Identification - Frame.....	3
Part Identification - Panel (1).....	4
Part Identification - Panel (2).....	5
Part Identification - Panel (3).....	6
Part Identification - Panel (4).....	7
Installation Kits.....	8
Frame Assembly Kits.....	9
Panel Hardware Kits.....	10
Handles.....	11
Hinges.....	16
Locking Hardware.....	17
Operators.....	21
Miscellaneous Parts.....	22
Aluminum Parts.....	26
Vinyl Parts.....	27
Wood Parts.....	29
Weather Strip.....	32
Weather Strip - Configured Parts in OMS.....	34
Retractable Screen Parts - Configured in OMS.....	36

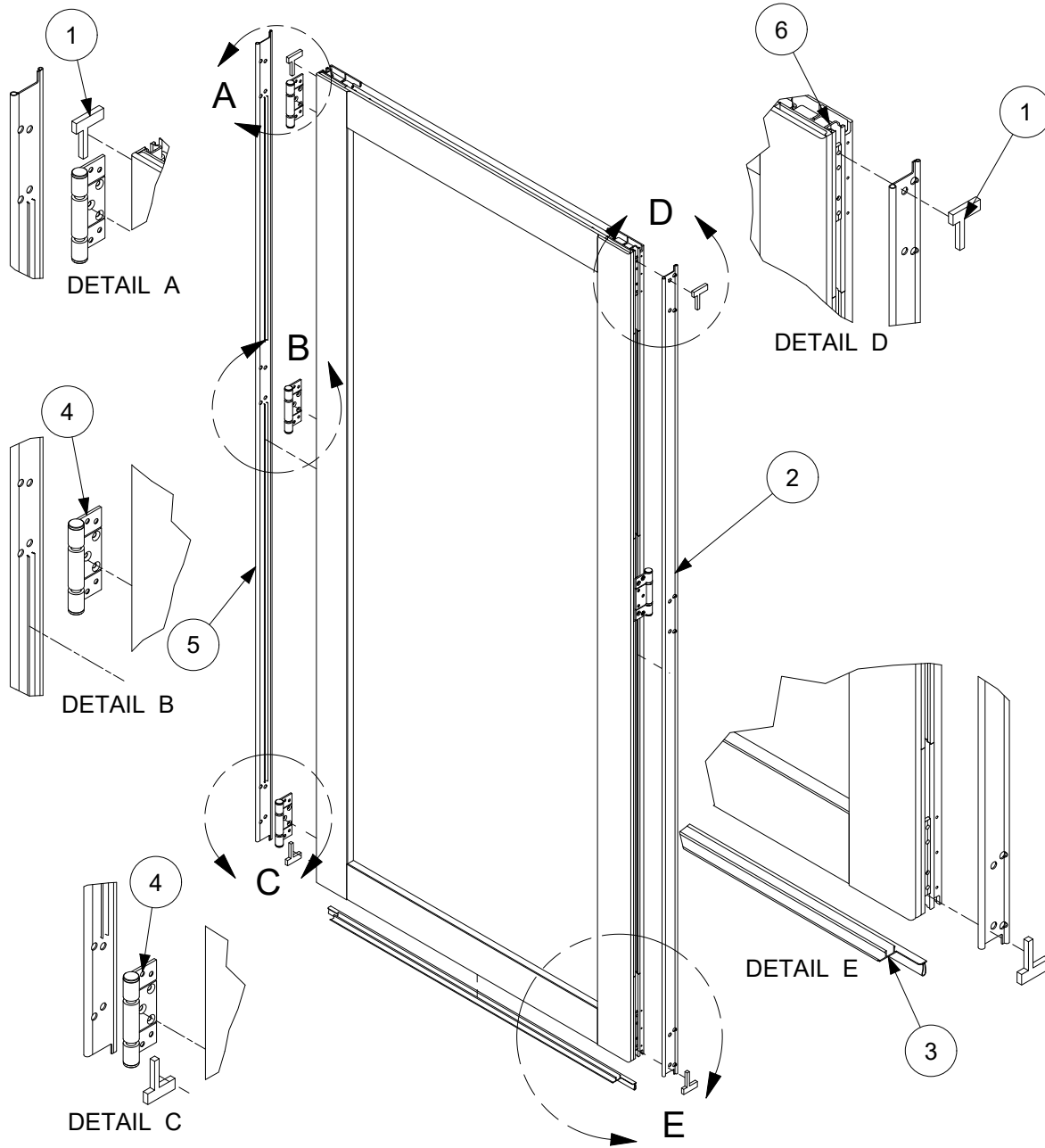
Produced	Unit Type	Features and Changes
2023	Elevate Bi-fold Door	02/27/2023: Introduced the Elevate Bi-fold Door.



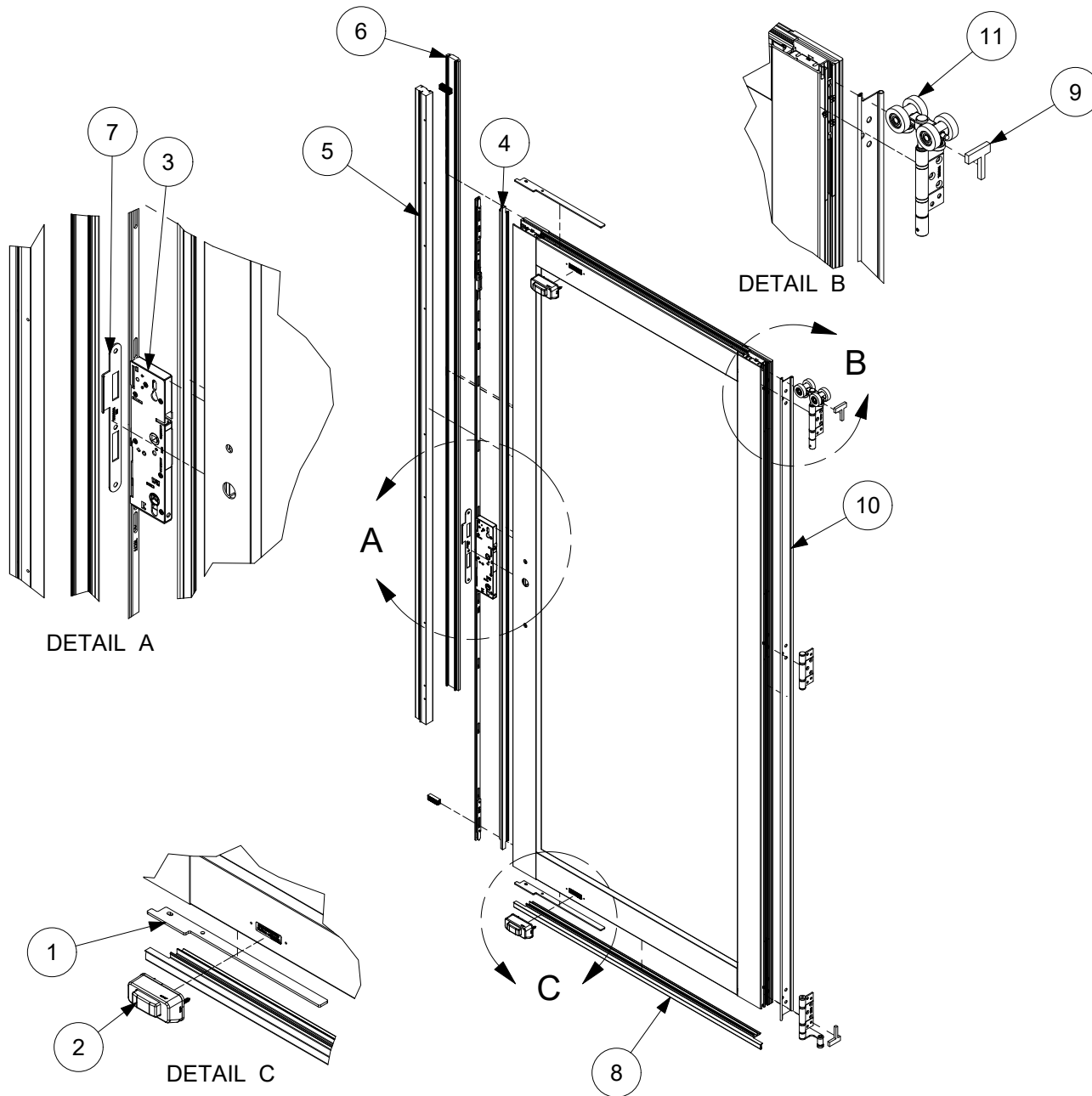
1. Head Jamb Stop Cap, W13767
2. Frame Weather Strip, V3019
3. Weather Strip, T-Slot, V03253
4. Jamb Stop, W13775
5. Jamb Stop Weather Strip, V3209
6. Interior Sill Liner, A3109
7. Pivot Set
8. Sill Track Insert, V3165
9. Sill Strike Plate
10. Jamb Cover, V3155
11. Panel Alignment Bolt
12. Head Strike
13. Head Jamb Stop, W13766



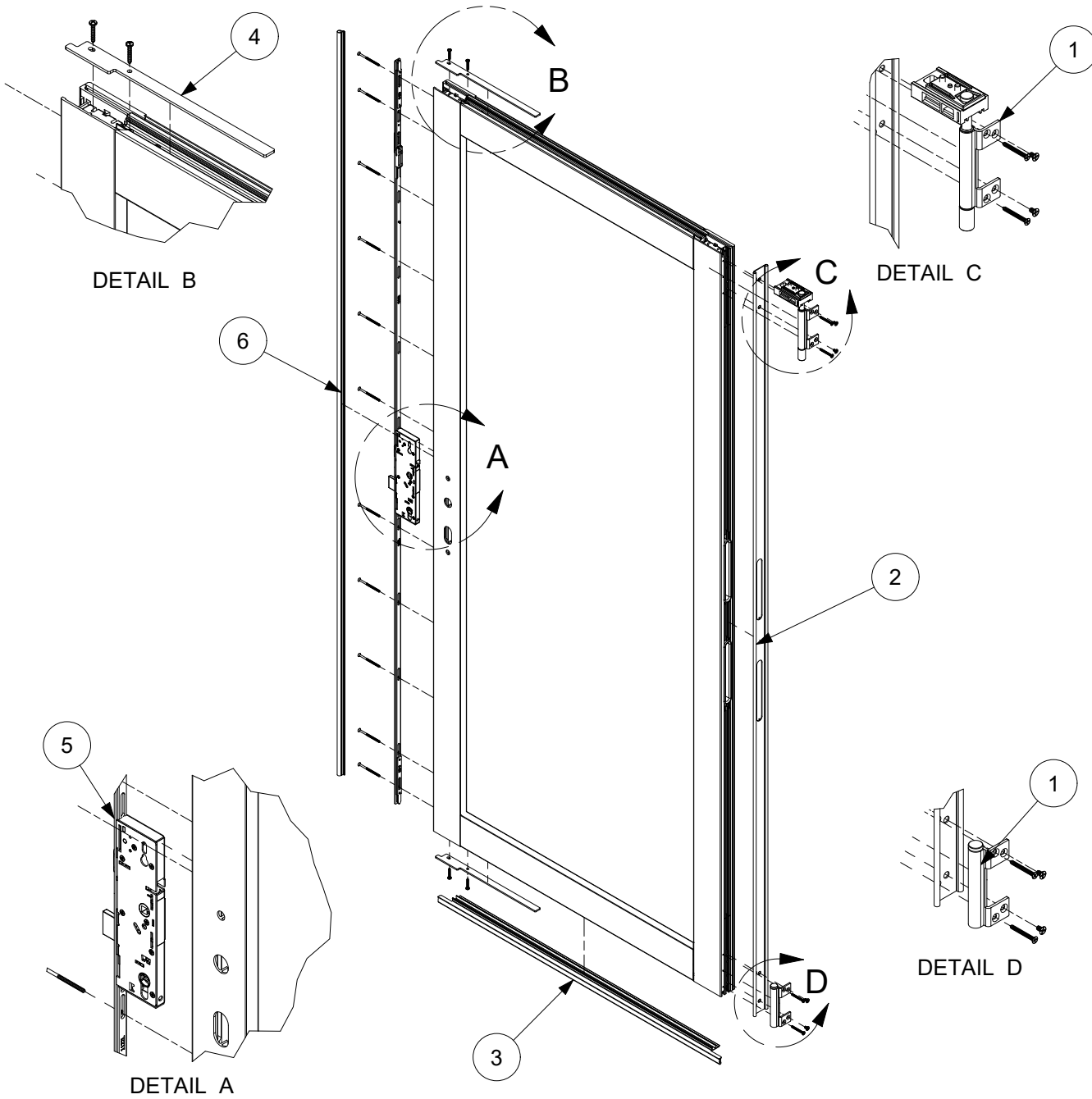
1. Twin Bolt Support Bracket
2. Panel Edge Gasket
3. Twin Bolt Set
4. Weather Strip, Interior Hardware, Inner Leaves, V3223
5. Panel Sweep, V3178
6. Weather Strip, Exterior Hardware, Outer Leaves, V3223
7. Pivot Set
8. Extended Hinge Adapter



1. Panel Edge Gasket
2. Weather Strip, Exterior Hardware, Inner Leaf, V3223
3. Panel Sweep, V3178
4. Offset Interior Hinge Set
5. Weather Strip, Interior Hardware, Outer Leaf, V3223
6. Hinge Adapter



1. Panel Support
2. Magnet
3. Multi-Point, Inactive
4. Astragal Weather Strip, V2350
5. Interior Astragal Base, W13693
6. Interior Astragal Cap, W13722
7. Secondary Lock Strike Plate
8. Panel Sweep, V3178
9. Panel Edge Gasket
10. Weather Strip, Exterior Hardware, Outer Leaf, V3223
11. Intermediate Carrier Set



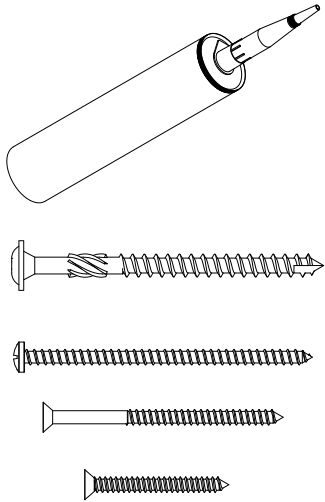
- 1. Pivot Set
- 2. Weather Strip, Exterior Hardware, Outer Leaf, V3223
- 3. Panel Sweep, V3178
- 4. Panel Support
- 5. Multi-Point, Active
- 6. Weather Strip, Locking Stile, V3214

Primary Operator Installation Kit

Includes:

- 1 - Tube clear silicone
- 16 - #8-15 x 2 1/2" Type A, 2/3 thread, flat head screws
- 12 - #8-18 x 3" Type AB, Phillips head screws
- 14 - #8-18 x 1 1/2" Type AB, flat head screws
- 28 - 1/4" x 3 1/4", A-17 washer head screws, T25

PN
10188190

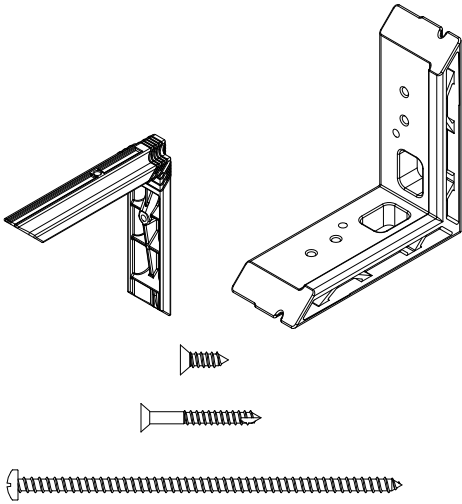


Frame Assembly Kit

Includes:

- 14 - #8-18 x 1/2" Type AB, Phillips head, stainless steel screws
- 2 - #8-18 x 4" Type AB, Phillips head, stainless steel screws
- 4 - #7-16 x 1 1/4" Type A-17B, 2/3 thread, flat head, stainless steel screws
- 2 - Corner key, jamb to header, exterior
- 2 - Corner key, exterior

PN
10188192

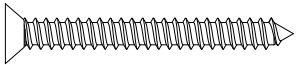


Exterior Panel Hardware Kit

Includes:

- 7 - #10-24 x 5/16" flat head screws
Black (11800990) or stainless steel (11800996)
- 7 - #8-18 x 1 1/2" Type AB, flat head, screws
Ebony (11805140) or Stainless Steel (11800850)

Color	PN
Stainless Steel	10188193
Black	10188194



Interior Panel Hardware Kit

Includes:

- 11 - #10-24 x 5/16" flat head, stainless steel (11800996)
or Black (11800990) screws

Color	PN
Stainless Steel	10188195
Black	10188196

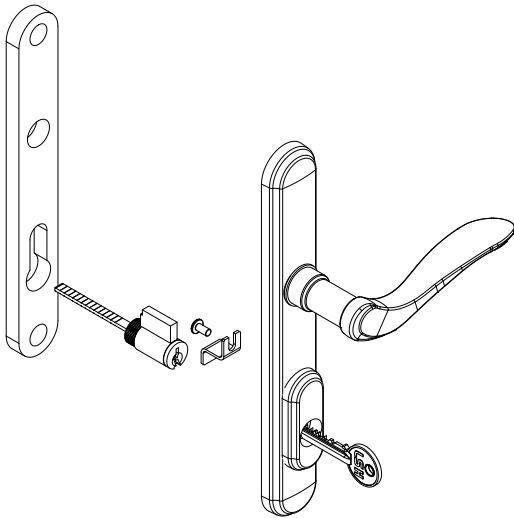


Cambridge Primary Handle Set, Exterior

Includes:

- 1 - Exterior handle
- 1 - Exterior escutcheon
- 1 - Hardware gasket
- 1 - Z-Clip
- 1 - Z-Clip screw
- 1 - Keyed cylinder
- 2 - Keys

Color	LH PN	RH PN
Stone White	11868031	11868019
Almond Frost	11868026	11868021
Brass PVD	11868028	11868023
Satin Nickel PVD	11868029	11868024
Oil Rubbed Bronze PVD	11868030	11868025
Matte Black	11868069	11868068



RH shown

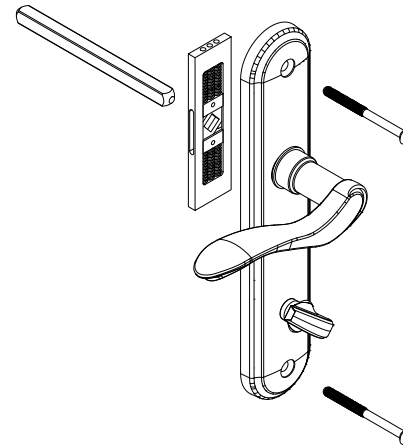
Note: All units viewed from exterior.

Cambridge Primary Handle Set, Interior

Includes:

- 1 - Handle
- 1 - Interior escutcheon
- 1 - Spring cassette
- 1 - Spindle
- 1 - Thumb turn
- 2 - M5 x 58 machine screws
- 1 - Installation instruction

Color	LH PN	RH PN
Stone White	11869210	11869209
Almond Frost	11869106	11869101
Brass PVD	11869108	11869103
Satin Nickel PVD	11869109	11869104
Oil Rubbed Bronze PVD	11869110	11869105
Matte Black	11869149	11869169



RH shown

Note: All units viewed from exterior.

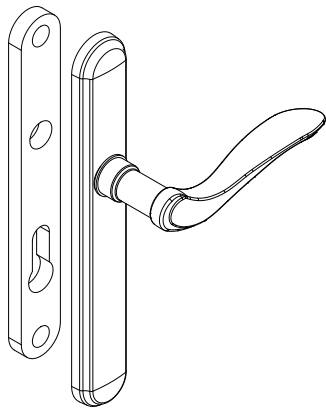
Cambridge Secondary Handle Set, Exterior

Includes:

- 1 - Exterior handle
- 1 - Exterior escutcheon
- 1 - Hardware Gasket

NOTE: Escutcheon width 1.350"

Color	LH PN	RH PN
Stone White	11868037	11868032
Almond Frost	11868046	11868041
Brass PVD	11868048	11868043
Satin Nickel PVD	11868049	11868044
Oil Rubbed Bronze PVD	11868050	11868045
Matte Black	11868071	11868070



RH shown

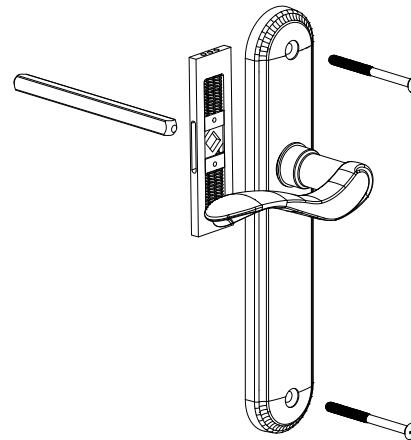
Note: All units viewed from exterior.

Cambridge Secondary Handle Set, Interior

Includes:

- 1 - Interior handle
- 1 - Interior escutcheon
- 1 - Spring cassette
- 1 - Spindle
- 2 - M5 x 58 Machine screws

Color	LH PN	RH PN
Stone White	11869227	11869222
Almond Frost	11869126	11869121
Brass PVD	11869128	11869123
Satin Nickel PVD	11869129	11869124
Oil Rubbed Bronze PVD	11869130	11869125
Matte Black	11869159	11869150



RH shown

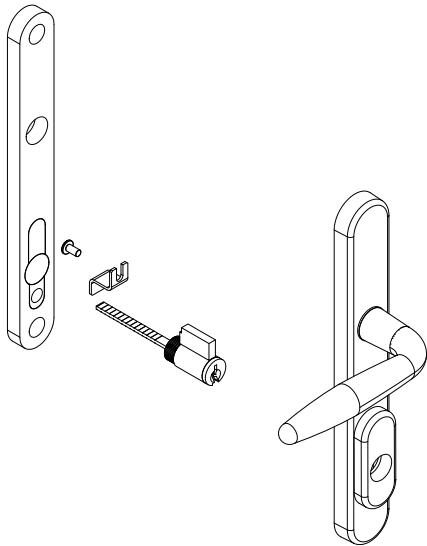
Note: All units viewed from exterior.

Northfield Primary Handle Set, Exterior

Includes:

- 1 - Exterior handle
- 1 - Exterior escutcheon
- 1 - Hardware gasket
- 1 - Z-Clip
- 1 - Z-Clip screw
- 1 - Keyed cylinder
- 2 - Keys

Color	PN
White	11869162
Almond Frost	11869161
Brass PVD	11869163
Satin Nickel PVD	11869164
Oil Rubbed Bronze PVD	11869165
Matte Black	11869168

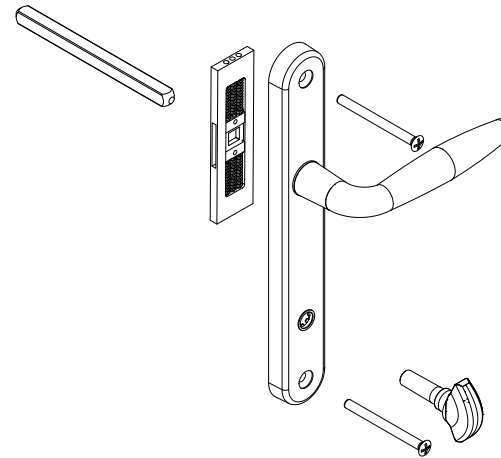


Northfield Primary Handle Set, Interior

Includes:

- 1 - Interior handle
- 1 - Interior escutcheon
- 1 - Spring cassette
- 1 - Spindle
- 1 - Thumb turn
- 2 - M5 x 58 machine screws

Color	PN
White	11869152
Almond Frost	11869151
Brass PVD	11869153
Satin Nickel PVD	11869154
Oil Rubbed Bronze PVD	11869155
Matte Black	11869160

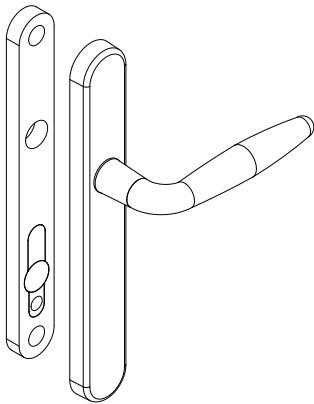


Northfield Secondary Handle Set, Exterior

Includes:

- 1 - Exterior handle
- 1 - Exterior escutcheon
- 1 - Hardware gasket

Color	PN
White	11869182
Almond Frost	11869181
Brass PVD	11869183
Satin Nickel PVD	11869184
Oil Rubbed Bronze PVD	11869185
Matte Black	11869190

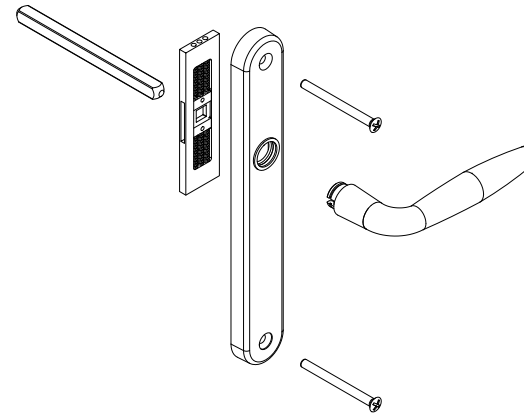


Northfield Secondary Handle Set, Interior

Includes:

- 1 - Interior handle
- 1 - Interior escutcheon
- 1 - Spring cassette
- 1 - Spindle
- 2 - M5 x 58 machine screws

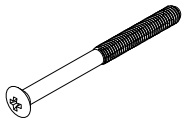
Color	PN
White	11869172
Almond Frost	11869171
Brass PVD	11869173
Satin Nickel PVD	11869174
Oil Rubbed Bronze PVD	11869175
Matte Black	11869180



Escutcheon Plate Screws

NOTE: 1-M5 x 58 machine screw

Color	PN
Brass PVD	11805189
Almond Frost	11805187
White	11805188
Satin Nickel	11805190
Oil Rubbed Bronze PVD	11805191
Matte Black	11805143



Keyed Cylinder with Keys

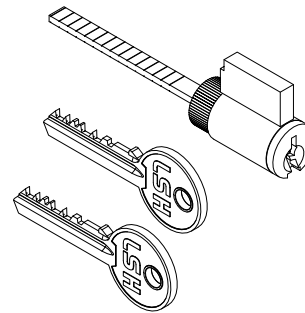
Includes:

2 - Keys

NOTE: Schlage cylinder

NOTE: For keyed alike cylinders, please contact your Infinity representative. Please supply the original order number if possible.

Color	PN
Brass PVD	11860963

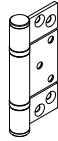
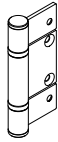
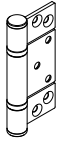


Interior Hinge Set

Includes:

- 2 - Top/Bottom hinge
- 1 - Middle hinge

Color	PN
Stainless Steel	11861950
Black	11861952

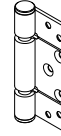
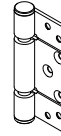
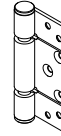


Offset Interior Hinge Set

Includes:

- 2 - Top/Bottom hinge
- 1 - Middle hinge

Color	PN
Stainless Steel	11861951
Black	11861953



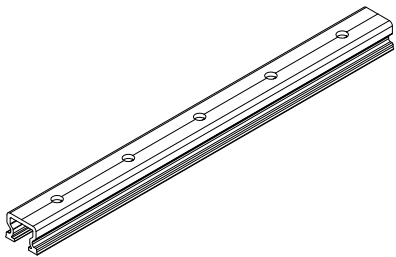
Hinge Cleat

PN
11862020



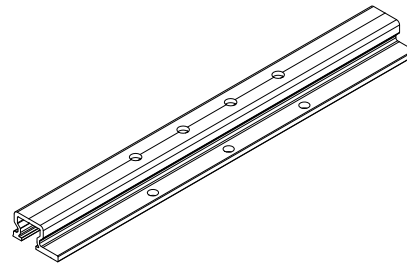
Hinge Adapter

PN	Suggested Fastener	PN
11862001	#8 x 1 1/2" Panhead, full thread screw	11806159



Extended Hinge Adapter

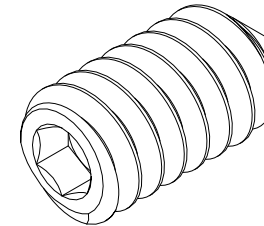
PN	Suggested Fastener	PN
11862002	#8 x 1 1/2" Panhead, full thread screw	11806159



Cleat Set Screw

#10-24, 3/8" set screw, cone point

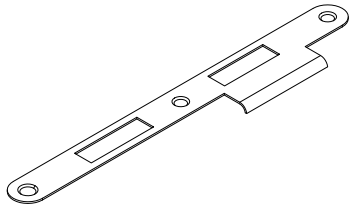
PN
11801023



Secondary Lock Strike Plate

Color	Handing	PN
Stainless Steel	LH	11862525
	RH	11862526

Suggested Fasteners	
Uses:	PN
1 - M4 x 8, flat head Torx screw	11805181
1 - M4 x 16, flat head Torx screw	11805183
1 - M5 x35, flat head Torx screw	11805184

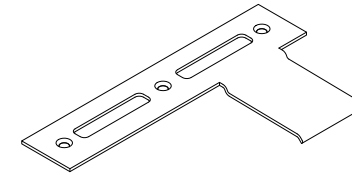


LH shown

Locking Jamb Strike Plate

Color	LH PN	RH PN
Stainless Steel	11860475	11860476

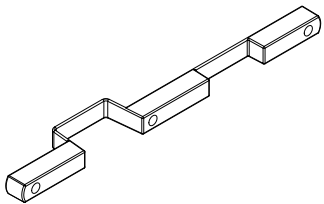
Suggested Fasteners	
Uses:	PN
1 - #8 x 5/8" flat head screw	11805180



RH shown

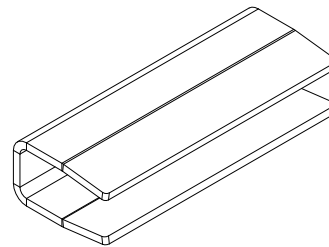
Strike Plate Backer

Color	PN
Black	118407



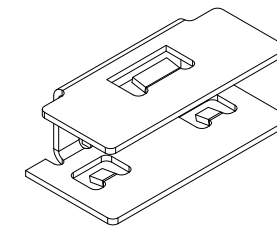
Head Strike

Color	PN
Stainless Steel	11860210



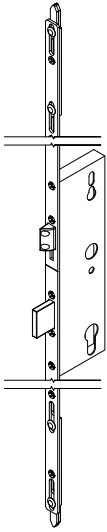
Sill Strike Plate

Color	PN
Stainless Steel	11860206



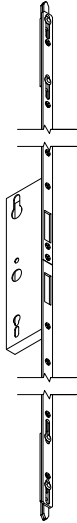
Multi-point, Active

Color	Length	PN
Stainless Steel	Panel height < 68.537"	11890565
	Panel height >= 68.537"	11860499



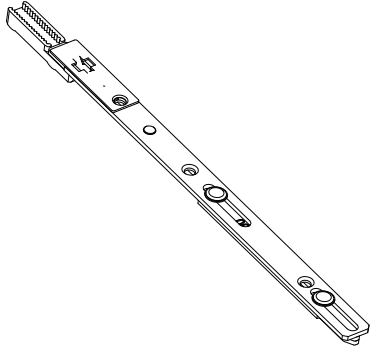
Multi-point, Inactive

Color	Length	PN
Stainless Steel	Panel height < 68.537"	11890665
	Panel height >= 68.537"	11860399



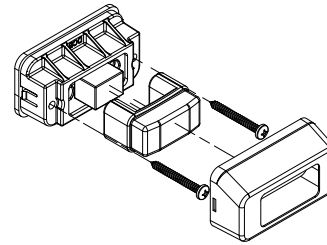
Shootbolt, Multi-point, Cut Down

Color	PN
Stainless Steel	11862099



Magnet

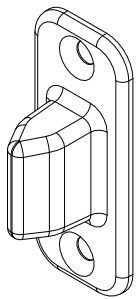
Color	PN
Stainless Steel	11863220
Bronze	11863221



Panel Alignment Bolt

Color	PN
Black	11102456

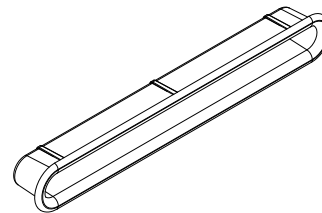
Suggested Fasteners	
Uses:	PN
2 - #8 x 2 1/2". 2/3 thread flat head screws	11805145



Alignment Bolt Receiver

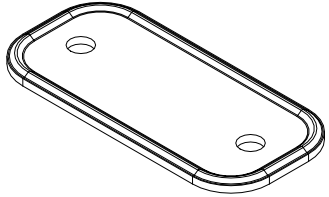
Color	PN
Black	10501641

Suggested Fasteners	
Uses:	PN
2 - #8-18 x 1" flat head screw	11800913



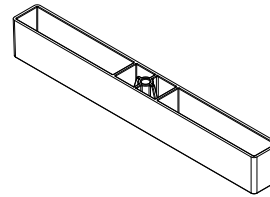
Alignment Bolt Shim

Color	PN
Black	10501640



Locking Jamb Insert

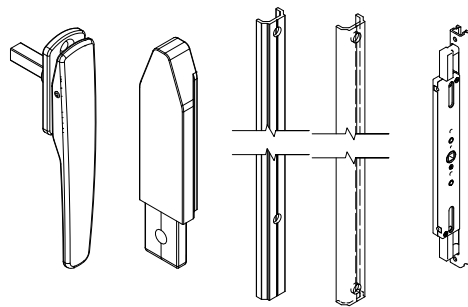
Color	PN
Black	10501616



Twin Bolt Set

Includes:

- 1 - Twin bolt handle
- 2 - Twin bolt rod tips
- 1 - Twin bolt bottom rod
- 1 - Twin bolt top rod
- 1 - Twin bolt assembly



Color	PN
Stainless Steel	11861990
Black	11861991

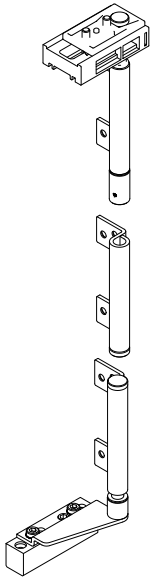
Pivot Set

Includes:

- 1 - Top pivot
- 1 - Bottom pivot, leaf/cylinder
- 1 - Bottom pivot, sill post

Color	Handing	PN
Stainless Steel	LH	11861901
	RH	11861902
Black	LH	11861903
	RH	11861904

Suggested Fasteners	
Uses:	PN
4 - #7 x 3/4" A-17, pan head screw	11806164

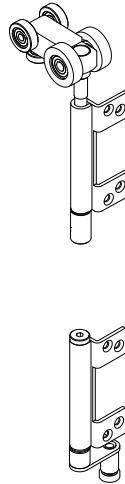


Offset End Carrier

Includes:

- 1 - Offset end carrier
- 1 - Offset end carrier guide

Color	Handing	PN
Stainless Steel	LH	11861931
	RH	11861932
Black	LH	11861933
	RH	11861934

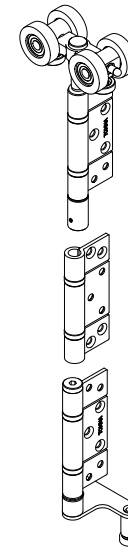


Intermediate Carrier Set

Includes:

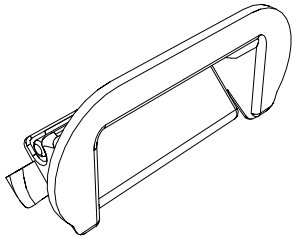
- 1 - Intermediate carrier
- 1 - Intermediate carrier exterior hinge
- 1 - Intermediate carrier guide

Color	PN
Stainless Steel	11861970
Black	11861971



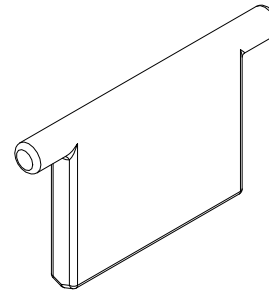
Sill Drain Weep

Color	PN
Black	15631215



Sill Plug Weep Gate

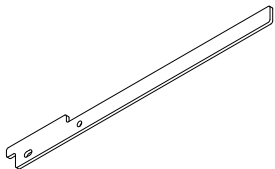
Color	PN
Clear	10501618



Panel Support

Color	PN
Stainless Steel	11862633

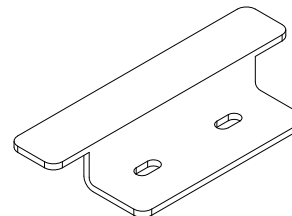
Suggested Fasteners	
Uses:	PN
2 - #8 x 1" pan head screw	11805185



Twin Bolt Support Bracket

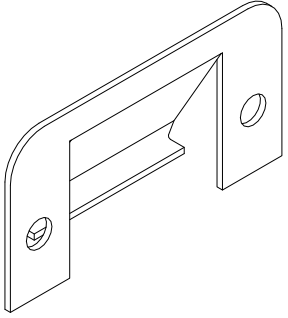
Color	PN
Stainless Steel	11860477

Suggested Fasteners	
Uses:	PN
2 - #8 x 1" pan head screw	11805185



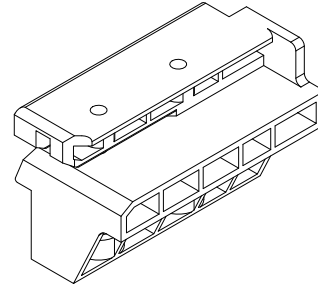
Stationary Panel Clip

Color	PN
Black	11860135



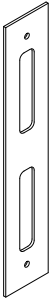
Stationary Panel Standing Block

Handing	PN
LH	10501930
RH	10501931



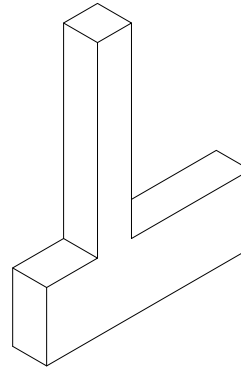
Strike Plate Gasket

Color	PN
Gray	10501047



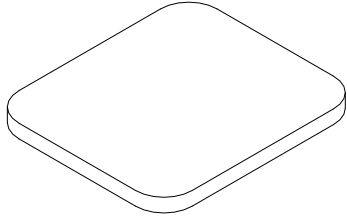
Panel Edge Gasket

Color	Handing	PN
Black	LH	10501029
	RH	10501030



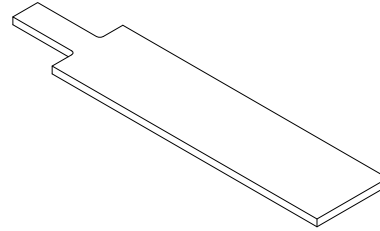
Jamb Stop Gasket

Color	PN
Gray	10500955



Jamb Liner Gasket

Color	PN
Gray	10500953

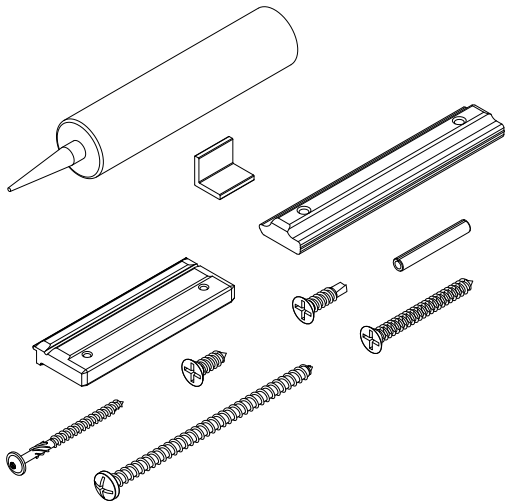


Splicing Kit

Includes:

- 2 - Sill splice brackets
- 1 - Tube CSL 302 clear silicone
- 9 - #8-18 x 5/8" TEK2, flat head screw
- 5 - #8-18 x 1/2" type AB, flat head screw
- 1 - Head jamb splice key, exterior
- 1 - Head jamb splice key, interior
- 5 - Slotted spring pin
- 6 - 1/4" x 3 1/8", A-17, washer, T-25
- 3 - #8-18 x 3" type AB, Phillips head screw
- 7 - #8-18 x 1 1/2" type AB, flat head screw

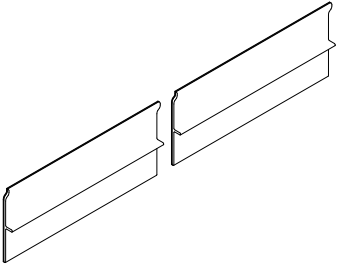
PN
10188197



Interior Sill Liner

A3109

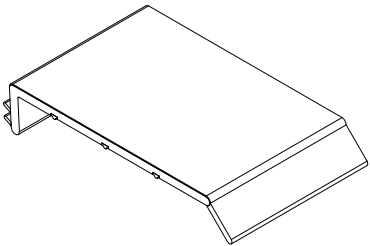
Color	Length	PN
Bronze	192"	18327400
Beige	(4877)	18327401



Jamb Cover

V3155

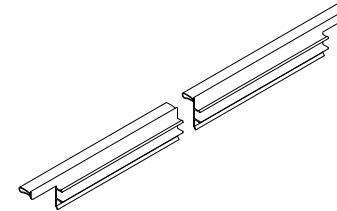
CN Size	Length	Color	PN
6-5	76 53/64" (1951)	Stone White	15980265
		Bronze	15980465
		Pebble	15980565
		Cashmere	15980865
		Ebony	15981165
		Gunmetal	15981565
6-8	79 21/64" (2015)	Stone White	15980268
		Bronze	15980468
		Pebble	15980568
		Cashmere	15980868
		Ebony	15981168
		Gunmetal	15981568
7-0	83 21/64" (2116)	Stone White	15980270
		Bronze	15980470
		Pebble	15980570
		Cashmere	15980870
		Ebony	15981170
		Gunmetal	15981570
8-0	92 53/64" (2358)	Stone White	15980280
		Bronze	15980480
		Pebble	15980580
		Cashmere	15980880
		Ebony	15981181
		Gunmetal	15981580



Panel Sweep

V3178

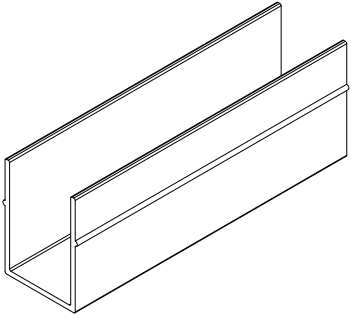
CN	Panels	Length	Color	PN
3-0	Stationary	34 21/32" (880)	Black	15990035
	With Pivot/End Carriers	33 41/64" (855)		15990031
	All other operating panels	34 9/64" (867)		15990030
3-4	Stationary	37 21/64" (948)		15990036
	With Pivot/End Carrier	36 21/64" (923)		15990034
	All other operating panels	36 53/64" (935)		15990032



Sill Track Insert

V3165

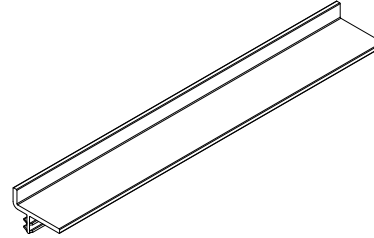
Color	Length	PN
Black	192" (4877)	15970001
Beige		15970002



Head Jamb Cover

V3222

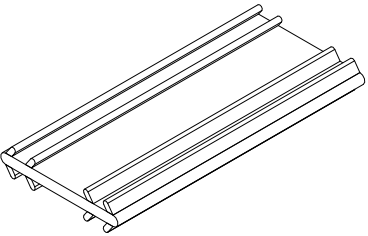
Length	PN
192" (4877)	25990192



Connecting Barb

V803

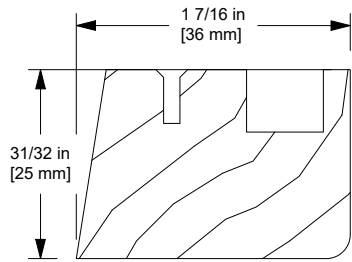
Length	PN
Specify length (LF)	15812999



Jamb Stop

W13775

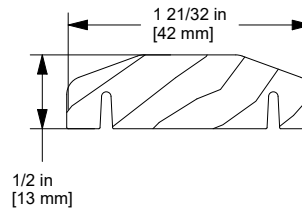
Jamb Stop Part Numbers					
CN Size	Length	Bare Wood	White	Designer Black	Clear
6-5	73 19/32" (1869)	31510065	41510165	41510365	41510265
6-8	76 3/32" (1933)	31510067	41510168	41510368	41510268
7-0	80 3/32" (2034)	31510070	41510170	41510370	41510270
8-0	85 19/32" (2276)	31510080	41510180	41510380	41510280



Interior Astragal Cap

W13722

Jamb Stop Part Numbers					
CN Size	Length	Bare Wood	White	Designer Black	Clear
6-5	73 1/64" (1855)	31501165	39201165	39202065	31601165
6-8	75 33/64" (1918)	31501168	39201168	39202068	31601168
7-0	79 33/64" (2020)	31501170	39201170	39202070	31601170
8-0	89 1/64" (2261)	31501180	39201180	39202080	31601180



Head Jamb Stop

W13766

CN	Length	Color	PN
9-8	112 43/64" (2862)	Clear	41542098
		White	41541098
		Bare	41540098
		Designer Black	41543098
12-8	150 9/64" (3813)	Clear	41542128
		White	41541128
		Bare	41540128
		Designer Black	41543128
16-0	187 19/32" (4765)	Clear	41542160
		White	41541160
		Bare	41540160
		Designer Black	41543160

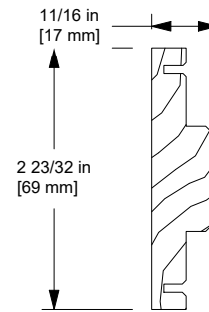
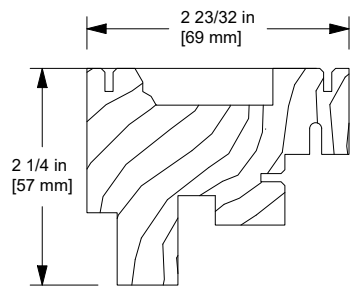
Head Jamb Stop Cap

W13767

CN	Length	Color	PN
9-8	112 43/64" (2862)	Clear	41532098
		White	41531098
		Bare	41530098
		Designer Black	41533098
12-8	150 9/64" (3813)	Clear	41532128
		White	41531128
		Bare	41530128
		Designer Black	41533128
16-0	187 19/32" (4765)	Clear	41532160
		White	41531160
		Bare	41530160
		Designer Black	41533160

Suggested Fasteners

Uses:	Qty varies by size	PN
#8 x 1" pan head screw	(1 to 9)	11805193
#8 x 3/4" Tek 2, T20 Hex screw	(3 to 20)	11800994



Interior Astragal Base

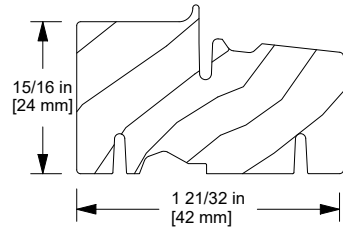
W13693

Interior Astragal Base Part Numbers

CN Size	Length	Bare Wood	White	Designer Black	Clear
6-5	73.02" (1869)	31502865	39203865	39202865	31602865
6-8	75.52" (1933)	31502868	39203868	39202868	31602868
7-0	79.52" (2034)	31502870	39203870	39202870	31602870
8-0	89.02" (2276)	31502880	39203880	39202880	31602880

Suggested Fasteners

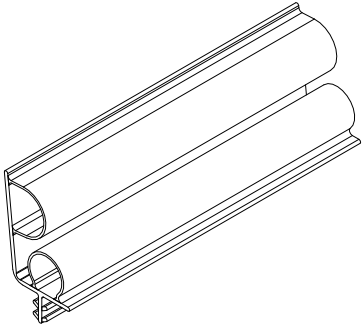
Uses:	Qty varies by size	PN
#8 x 2" A-17, flat head screw	(10 to 13)	11800868



Jamb Stop Weather Strip

V3209

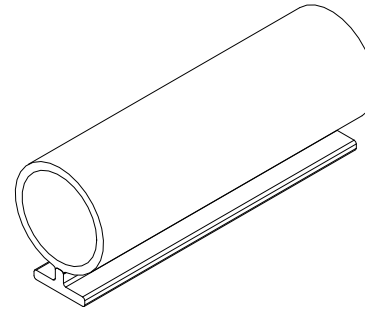
CN	Length	Color	PN
Lineal	96" (2438)	Black	15900150



T-Slot Bulb Weather Strip

V03253

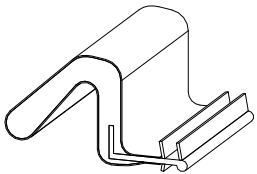
Length	Color	PN
Specify length (LF)	Black	15900186



Frame Weather Strip

V3019

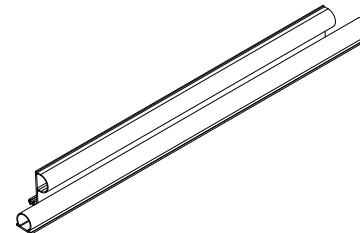
Length	Color	PN
22' (6706)	Black	11195312
	Beige	11195313



Interior Astragal Weather Strip

V2350

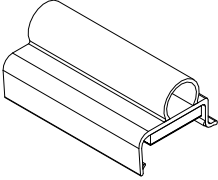
CN	Length	Color	PN
6-5	74 35/64" (1894)	Black	15971265
6-8	77 3/64" (1957)		15971268
7-0	81 3/64" (2059)		15971270
8-0	90 35/64" (2300)		15971280



Panel Weather Strip, Stationary Stile

V1556

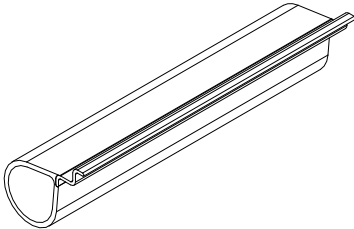
CN	Length	Color	PN
6-5	74 35/64" (1894)	Black	15970465
6-8	77 3/64" (1957)		15970468
7-0	81 3/64" (2059)		15970470
8-0	90 35/64" (2300)		15970481



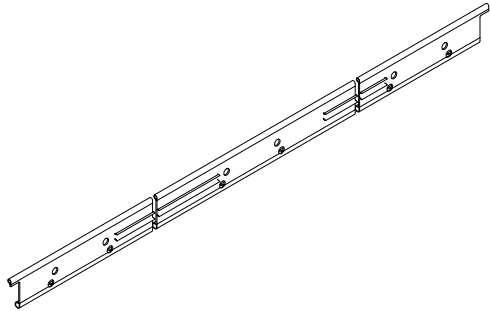
Weather Strip, Locking Stile

V3214

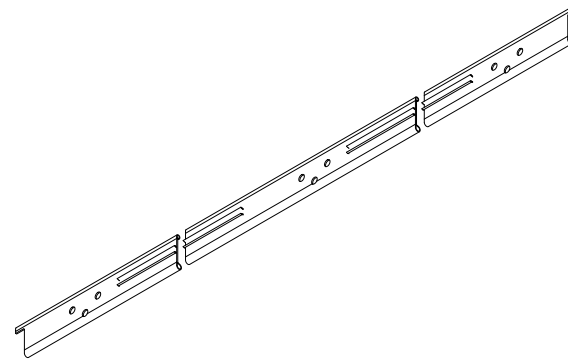
CN	Length	Color	PN
6-5	74 35/64" (1894)	Black	15981265
6-8	77 3/64" (1957)		15981268
7-0	81 3/64" (2059)		15981270
8-0	90 35/64" (2300)		15981280



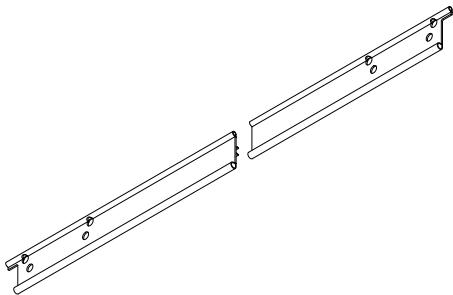
To order, refer to Configured Parts in OMS



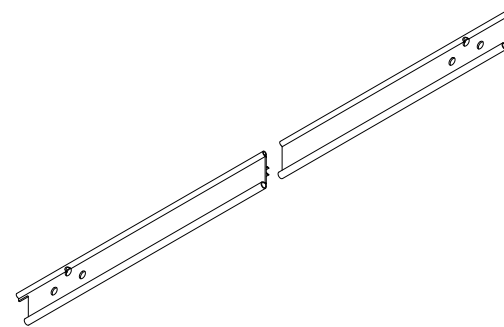
Panel Weather Strip
INTERIOR Hardware, OUTER Hardware Leaves
V3223



Panel Weather Strip
INTERIOR Hardware, INNER Hardware Leaves
V3223

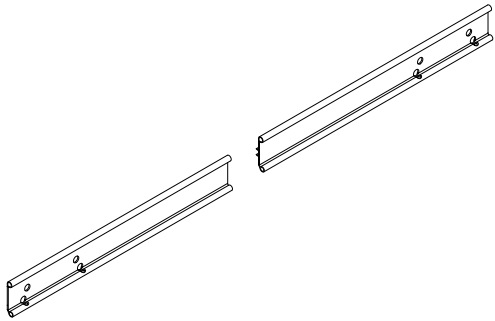


Panel Weather Strip
EXTERIOR Hardware, OUTER Hardware Leaves
V3223

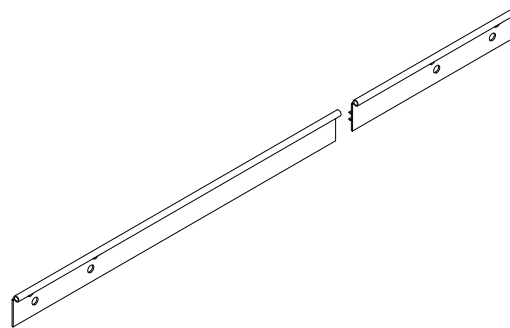


Panel Weather Strip
EXTERIOR Hardware, INNER Hardware Leaves
V3223

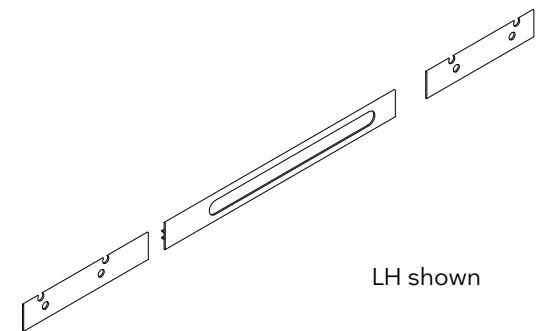
To order, refer to Configured Parts in OMS



Pivot Stile/End Carrier Weather Strip
V3234



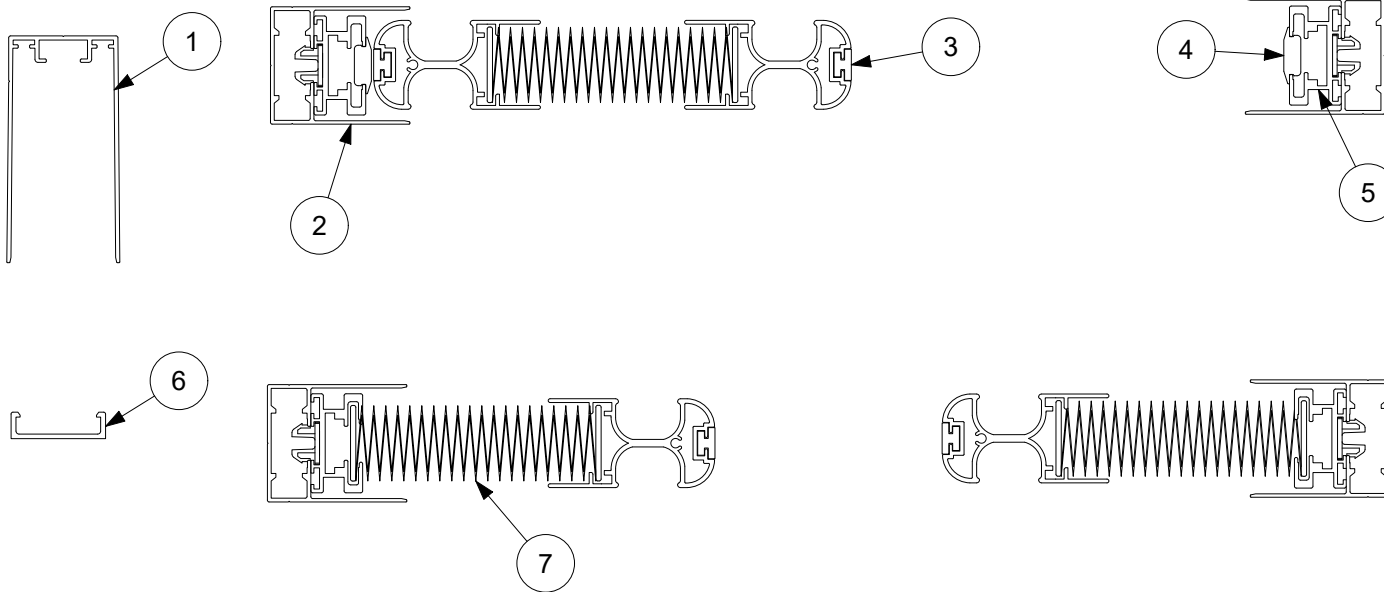
Meeting Stile Weather Strip
V3235



Stile Cover
V3225

LH shown

To order full unit screen replacements, component parts and screen cartridges, refer to Configured Parts in OMS.



1. Top Guide
2. Side Guide
3. Positive Magnet
4. Negative Magnet
5. Magnet Profile
6. Bottom Guide
7. Pleated Screen