

WOOD ULTIMATE DOUBLE HUNG TRANSOM UNIT

MO (mm)	2-0 1/2 (622)	2-4 1/2 (724)	2-8 1/2 (826)	2-10 1/2 (876)	3-0 1/2 (927)	3-2 1/2 (978)	3-4 1/2 (1029)	3-8 1/2 (1130)	4-0 1/2 (1232)
RO (mm)	1-10 3/8 (568)	2-2 3/8 (670)	2-6 3/8 (772)	2-8 3/8 (822)	2-10 3/8 (873)	3-0 3/8 (924)	3-2 3/8 (975)	3-6 3/8 (1076)	3-10 3/8 (1178)
FS (mm)	1-9 3/8 (543)	2-1 3/8 (645)	2-5 3/8 (746)	2-7 3/8 (797)	2-9 3/8 (848)	2-11 3/8 (899)	3-1 3/8 (949)	3-5 3/8 (1051)	3-9 3/8 (1153)
DLO (mm)	1-2 15/16 (379)	1-6 15/16 (481)	1-10 15/16 (583)	2-0 15/16 (633)	2-2 15/16 (684)	2-4 15/16 (735)	2-6 15/16 (786)	2-10 15/16 (887)	3-2 15/16 (989)

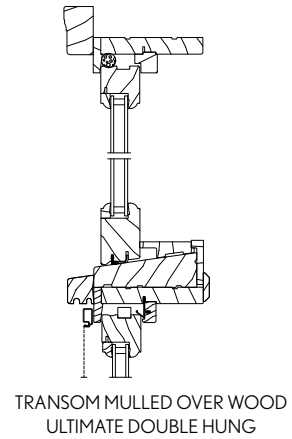
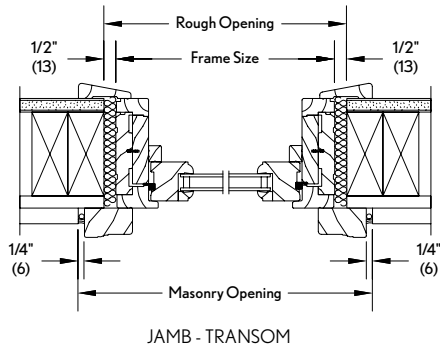
1-6 15/16 (481)
 1-5 7/8 (454)
 1-5 3/8 (441)
 0-11 15/16 (278)

2-2 15/16 (684)
 2-1 7/8 (657)
 2-1 3/8 (645)
 1-6 15/16 (481)



Wood Ultimate Double Hung Transom: **WUDHT**

CONSTRUCTION DETAILS



NOTES:

- Transom heights do not include subsill. Add 1 3/32" (28) for stand alone heights if subsill is wanted.