







# WOOD ULTIMATE DOUBLE HUNG ROUND TOP

## RT1 TRUE HALF CIRCLE STANDARD SIZES - DIRECT GLAZE

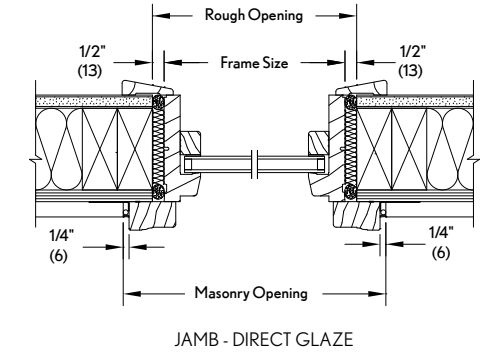
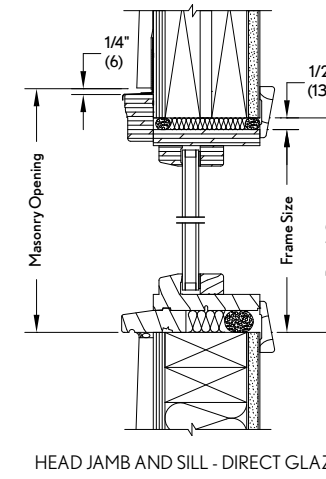
RO (mm)	2-6 3/8 (772)	2-8 3/8 (822)	2-10 3/8 (873)	3-0 3/8 (924)	3-2 3/8 (975)	3-6 3/8 (1076)
	1-3 3/16 (386) WDGRT2914	1-4 3/16 (411) WDGRT3115	1-5 3/16 (437) WDGRT3316	1-6 3/16 (462) WDGRT3517	1-7 3/16 (487) WDGRT3718	1-9 3/16 (538) WDGRT4120
RO (mm)	3-10 3/8 (1178)	4-3 3/4 (1314)	4-11 3/4 (1518)	5-7 3/4 (1721)	6-3 3/4 (1924)	
	1-11 3/16 (589) WDGRT4522	2-1 7/8 (657) WDGRT5025	2-5 7/8 (759) WDGRT5828	2-9 7/8 (860) WDGRT6632	3-1 7/8 (962) WDGRT7437	

## RT29 ELLIPTICAL STANDARD SIZES - DIRECT GLAZE

RO (mm)	4-3 3/4 (1314)	4-11 3/4 (1518)	5-7 3/4 (1721)	6-3 3/4 (1924)
	1-5 5/16 (456) WDGRT5118	WDGRT5918	WDGRT6718	WDGRT6718
RO (mm)				

# WOOD ULTIMATE DOUBLE HUNG ROUND TOP

## CONSTRUCTION DETAILS



### NOTES:

- If these units are NOT used as transoms, ADD 1 3/32" (28) to the rough opening height for subsill.

Wood Direct Glaze Round Top: **WDGRT**