











WOOD ROUND TOP DOOR TRANSOMS

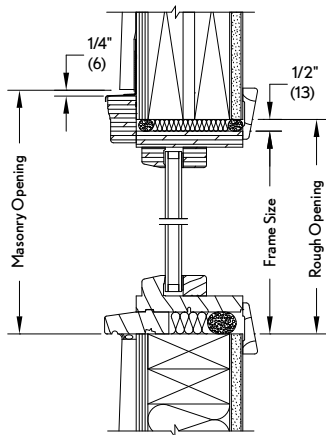
RT1 TRUE HALF CIRCLE STANDARD SIZES - DIRECT GLAZE

| RO (mm) | 5-0 (1524) | 6-0 (1829) | 5-15/8 (1565) | 6-15/8 (1870) | 8-15/8 (2480) |
|---------|--|--|--|--|--|
| RO (mm) | 2-6 (762) | 3-0 (914) | 2-6 13/16 (783) | 3-0 13/16 (1240) | 4-0 13/16 (1240) |
| |  WDRRT50R28R |  WDRRT60R33R |  WDRRT5030 |  WDRRT6036 |  WDRRT8048 |

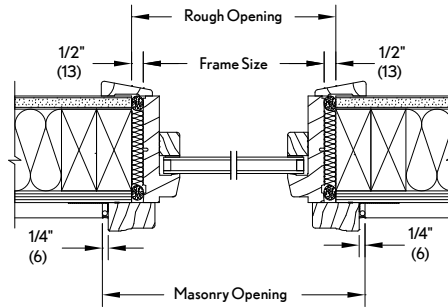
RT29 ELLIPTICAL STANDARD SIZES - DIRECT GLAZE

| RO (mm) | 5-0 (1524) | 6-0 (1829) | 5-15/8 (1565) | 6-15/8 (1870) | 8-15/8 (2480) |
|---------|--|--|--|--|--|
| RO (mm) | 1-5 15/16 (456) | | | | |
| |  WDRRT50R14R |  WDRRT60R14R |  WDRRT5017 |  WDRRT6017 |  WDRRT8021 |

CONSTRUCTION DETAILS



HEAD JAMB AND SILL - DIRECT GLAZE*



JAMB - DIRECT GLAZE*

NOTES:

- If these units are not used as transoms, add 15/16" (24) to rough opening heights for subsill.
- * Non-back rabbet casing shown. Back rabbet casing used on Wood Ultimate Sliding French Doors, Wood Patio Doors, Wood 2 1/4" Inswing French Doors and Wood Commercial Doors.