

MODERN CASEMENT
Push Out

Table of Contents

	Page
History	2
Part Identification – Unit	3
Part Identification – Mulling	4
Hardware Parts	5
Aluminum Parts	9
Vinyl Parts	10
Screen Parts	11
Replacement Sash and Screens are available through OMS	

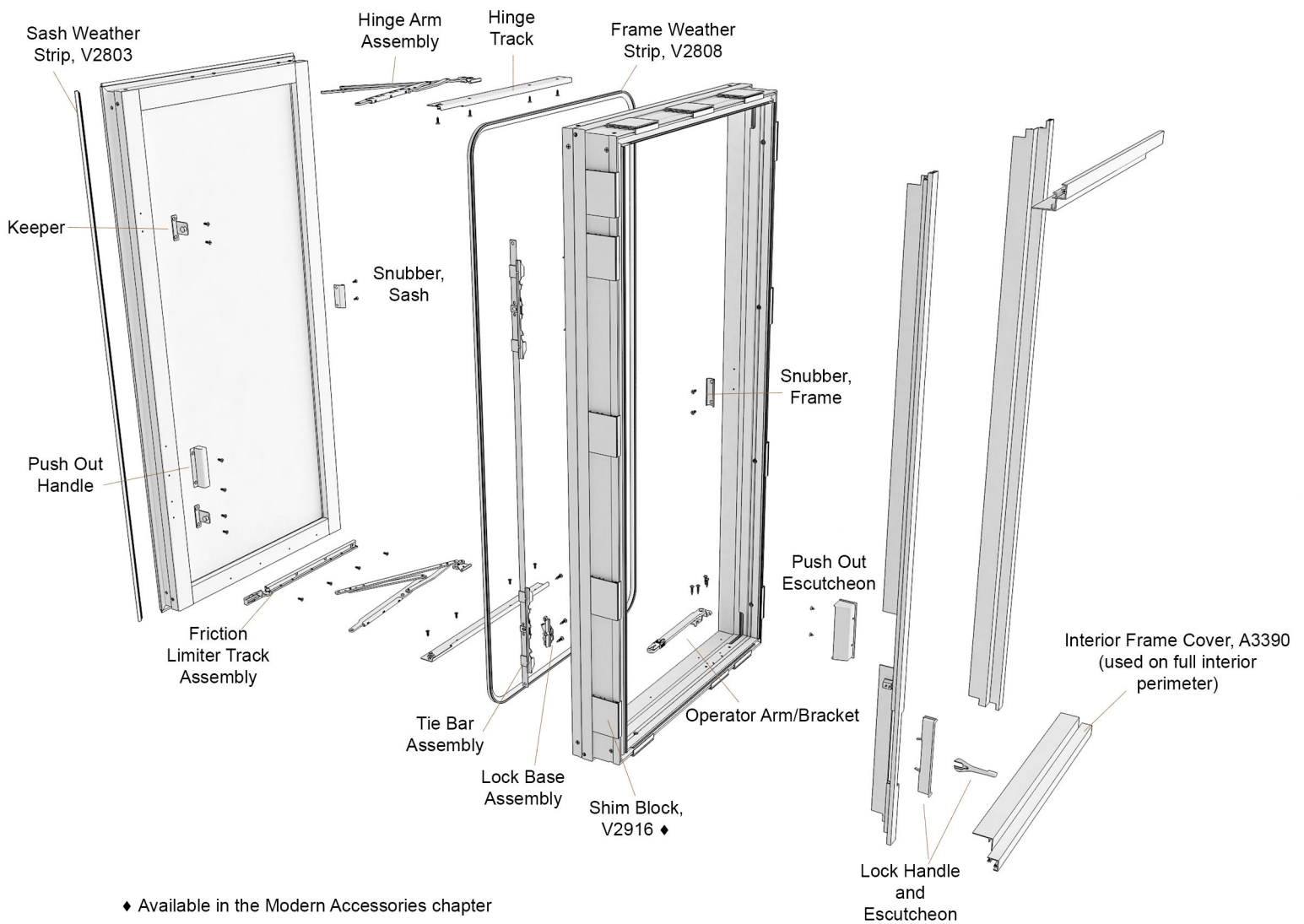
ATTENTION:

- Specification and technical data are subject to change without notice.

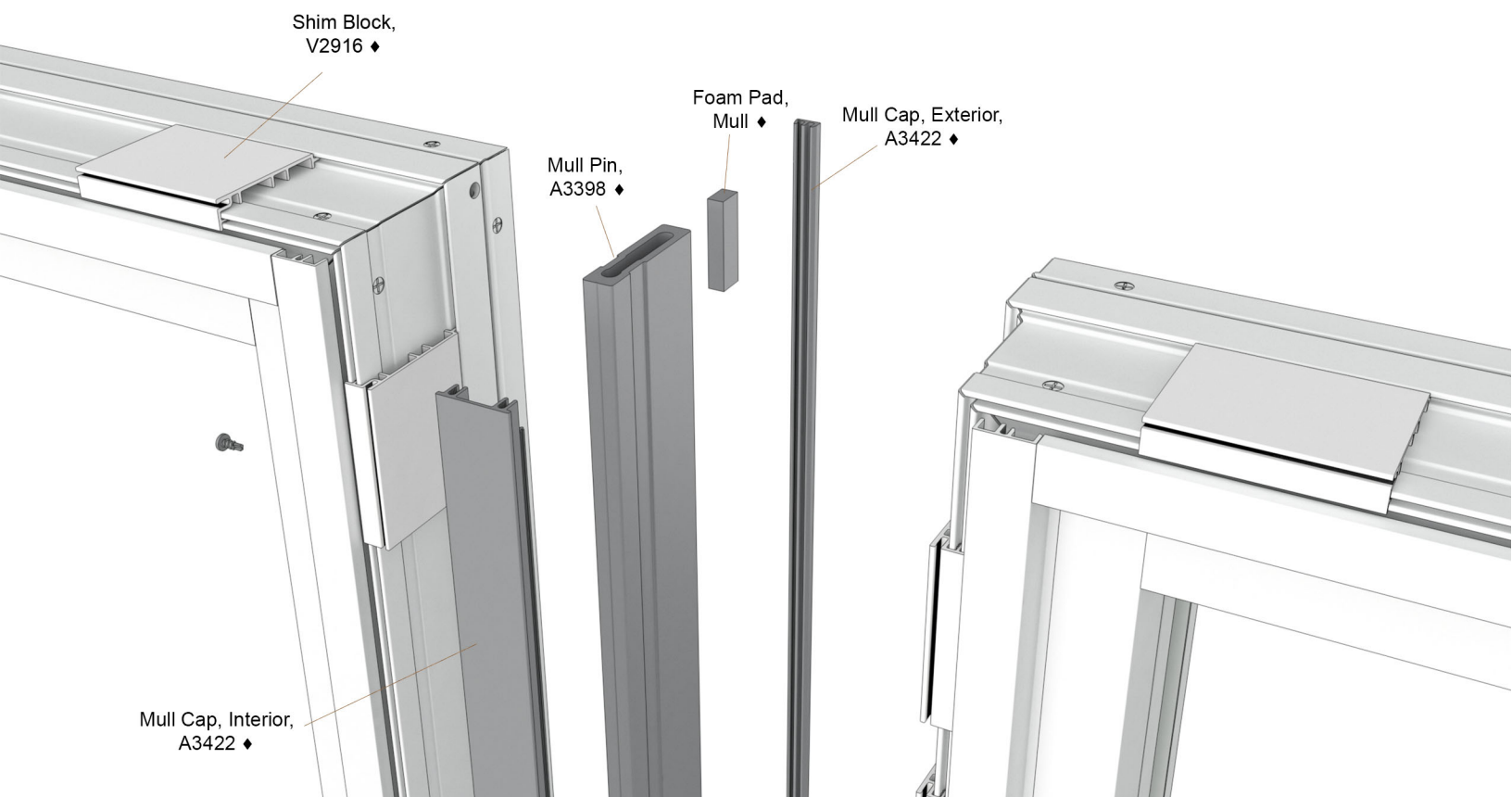
History

PRODUCED	UNIT TYPE	FEATURES OR CHANGES	STATUS
2019	Casement Push Out	2019-04-29 - Introduced the Modern Casement Push Out	Present

Modern Casement Push Out
Part Identification – Unit



Modern Casement Push Out
Part Identification – Mulling



♦ Available in the Modern Accessories chapter

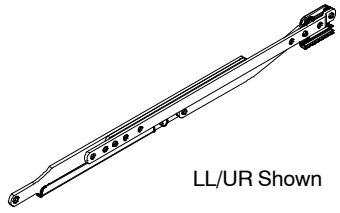
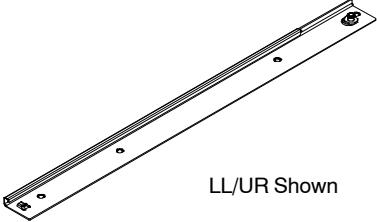
Illustration Not to Scale	Description	Color/Length	LH Part No.	RH Part No.
 <p>LL/UR Shown</p>	Hinge Arm Kit <i>Includes:</i> 1 – Hinge arm 4 – #8-15 x 1/2" type AB, Phillips, flat head, stainless steel screws	Stainless Steel 18"	11862700	11862701
	For frame width 20.000" – 44.000"			
 <p>LL/UR Shown</p>	Hinge Track Kit <i>Includes:</i> 1 – Hinge track 4 – #8-15 x 1/2" type AB, Phillips, flat head, stainless steel screws	Stainless Steel 18"	11862702	11862703
	For frame width 20.000" – 44.000"			

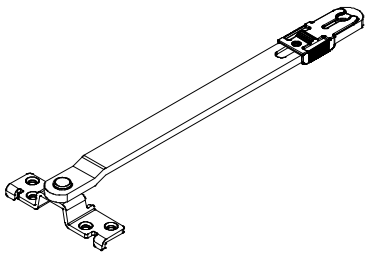
Illustration Not to Scale	Description	Color/Length	Part No.		
	Operator Arm/Bracket Assembly Kit <i>Includes:</i> 1 – Operator arm/bracket assembly 4 – #8-10 x 3/4" Phillips, full thread, pan head screws, stainless steel	Stainless Steel			
	For frame width 20.000" – 28.499"			8"	11862725
	For frame width 28.500" – 34.999"			13 3/4"	11862726
	For frame width 35.000" – 44.000"			17 1/4"	11862727

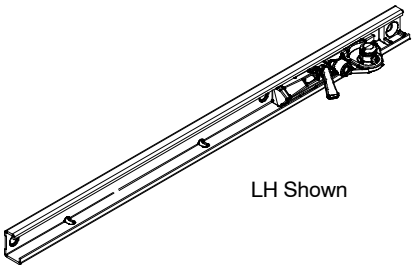
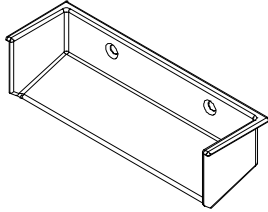
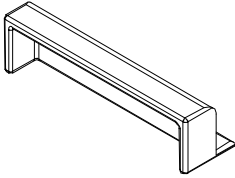
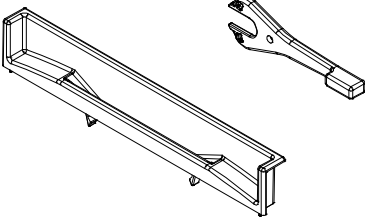
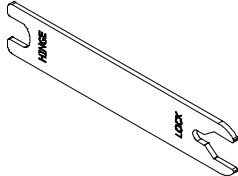
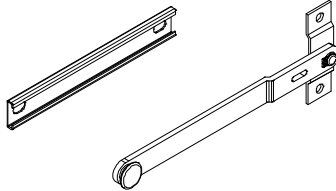
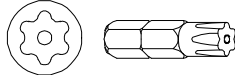
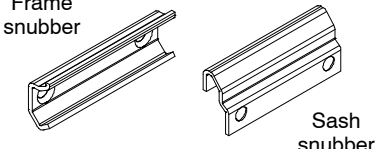
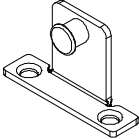
Illustration Not to Scale	Description	Color/Length	LH Part No.	RH Part No.			
 <p>LH Shown</p>	Friction Limiter Track Assembly Kit <i>Includes:</i> 1 – Track bracket assembly 4 – #8 x 15 x 1/2" type AB, Phillips, flat head, stainless steel screws	Stainless Steel					
	For frame width 20.000" – 28.499"				12 11/32"	11862719	11862720
	For frame width 28.500" – 34.999"				15 23/32"	11862721	11862722
	For frame width 35.000" – 44.000"				19 3/4"	11862723	11862724

Illustration <i>Not to Scale</i>	Description	Color	Part No.
	Push Out Escutcheon Kit <i>Includes:</i> 1 – Push out escutcheon 2 – #6 x 1/4" Phillips, flat head screw, stainless steel screws	Matte Black	11862761
		Matte Bronze	11862762
		Satin Nickel	11862763
		Silver	11862764
		Stone White	11862765
	Push Out Handle Kit <i>Includes:</i> 1 – Push out handle 2 – #8-15 x 1/2" type AB, Phillips, flat head, stainless steel screws	Matte Black	11862756
		Matte Bronze	11862757
		Satin Nickel	11862758
		Silver	11862759
		Stone White	11862760
	Lock Handle and Escutcheon	Matte Black	10816465
		Matte Bronze	10816466
		Satin Nickel	10816467
		Silver	10816468
		Stone White	10816469
	Lock Handle Wrench	---	10810020
	Sash Limiter Kit, Custodial <i>Includes:</i> 1 – Sash Limiter and Track Assembly 4 – #8 x 15 x 3/8" Torx screw 1 – Torx tamper-proof custodial bit 1 – Field installation instruction	---	11850750
	T20 Torx Tamper-Proof Custodial Bit	---	02071481

 <p>Frame snubber</p> <p>Sash snubber</p>	<p>Snubber Replacement Kit <i>Includes:</i> 4 – Frame snubber 4 – Sash snubber 16 – #8 x 15 x 1/2" type AB, Phillips, flat head, stainless steel screws</p>	<p>Stainless Steel</p>	<p>11862479</p>
	<p>Keeper Kit <i>Includes:</i> 1 – Keeper 2 – #8 x 15 x 1/2" type AB, Phillips, flat head, stainless steel screws</p>	<p>Stainless Steel</p>	<p>11862716</p>

Tie Bar Assembly Kit

Includes:

*#8-15 x 1/2" type AB, Phillips, flat head, stainless steel screws
 (see below for quantity included)*

Lock Base Assembly (shown
 for illustrative purposes only –
 Must be ordered separately)

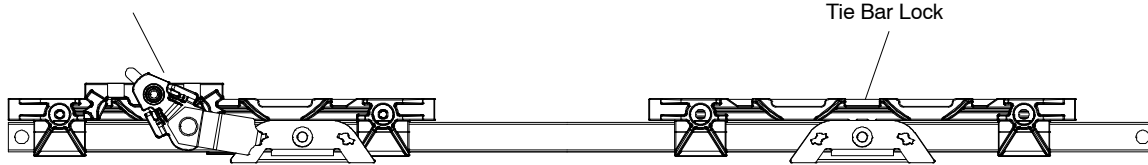
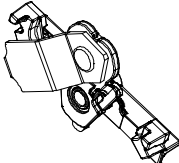


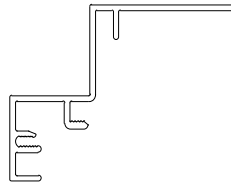
Illustration not to scale

Description	Color	Length	LH Part No.	RH Part No.
For frame height 16.000" – 18.499" (includes 2 screws)	E-Gard	7 1/2"	11862733	11862734
			Part No.	
For frame height 18.500" – 31.999" (includes 2 screws)	E-Gard	10"	11862735	
For frame height 32.000" – 37.999" (includes 4 screws)	E-Gard	23 1/2"	11862736	
For frame height 38.000" – 43.999" (includes 4 screws)	E-Gard	29 1/2"	11862737	
For frame height 44.000" – 49.999" (includes 4 screws)	E-Gard	35 1/2"	11862738	
For frame height 45.000" – 55.999" (includes 4 screws)	E-Gard	41 1/2"	11862740	
For frame height 56.000" – 61.999" (includes 6 screws)	E-Gard	47 1/2"	11862741	
For frame height 62.000" – 67.999" (includes 6 screws)	E-Gard	53 1/2"	11862742	
For frame height 68.000" – 73.999" (includes 6 screws)	E-Gard	59 1/2"	11862743	
For frame height 74.000" – 79.999" (includes 6 screws)	E-Gard	65 1/2"	11862744	
For frame height 80.000" – 87.999" (includes 6 screws)	E-Gard	71 1/2"	11862745	
For frame height 88.000" – 102.000" (includes 6 screws)	E-Gard	79 1/2"	11862746	

Illustration <i>Not to Scale</i>	Description	Color	Part No.
	Lock Base Assembly Kit <i>Includes:</i> 1 – Lock base assembly 1 – #8-15 x 1" TEK-3, full thread, Phillips, pan head screw	---	11862718

When ordering replacement aluminum parts specify:

1. Order number/Line Number (if available)
2. Type of unit
3. Description
4. Color
5. Length



A3390, Interior Cover

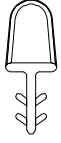
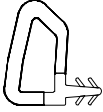
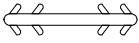
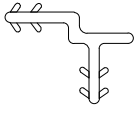
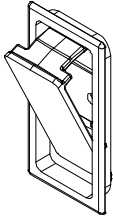
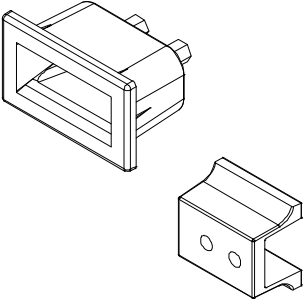
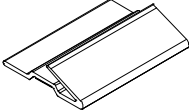
Illustration <i>Not to Scale</i>	Description	Length	Color	Part No.
	Sash Weather Strip V2803	120" (5080)	Black	15816398
	Frame Weather Strip V2808	Specify Length	Black	15356397
	Connecting Barb V803	Specify Length	Beige	15812999
	Connecting Barb V087	6" (152)	Beige	16000602

Illustration <i>Not to Scale</i>	Description	Color	Part No.
	Screen Latch Assembly Kit <i>Includes:</i> 1 – Screen latch assembly 2 – Rivets		
		Ebony	11862481
		Bronze	11862482
		Stone White	11862483
		Gunmetal	11862484
		Silver	11862485
	Screen Latch Receiver Assembly Kit <i>Includes:</i> 1 – Screen hardware latch receiver 1 – Screen hardware receiver back		
		Ebony	11862486
		Bronze	11862487
		Stone White	11862488
		Gunmetal	11862489
		Silver	11862490
	Screen Alignment Bumper		
		Black	15709427