

MODERN AWNING
Push Out

Table of Contents

	Page
History	2
Part Identification – Unit	3
Part Identification – Mulling	4
Hardware Parts	5
Aluminum Parts	8
Vinyl Parts	9
Screen Parts	10
Replacement Sash and Screens are available through OMS	

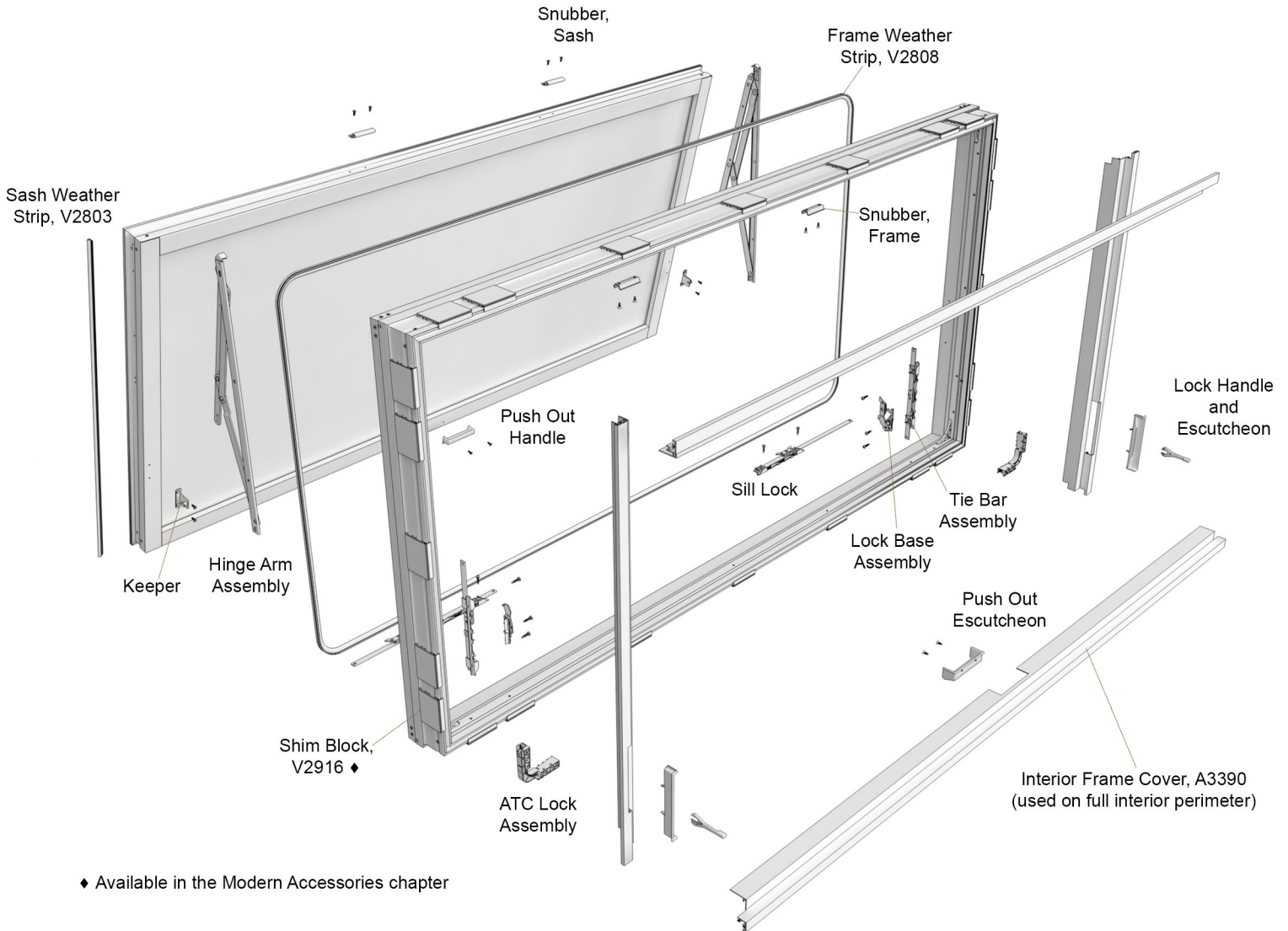
ATTENTION:

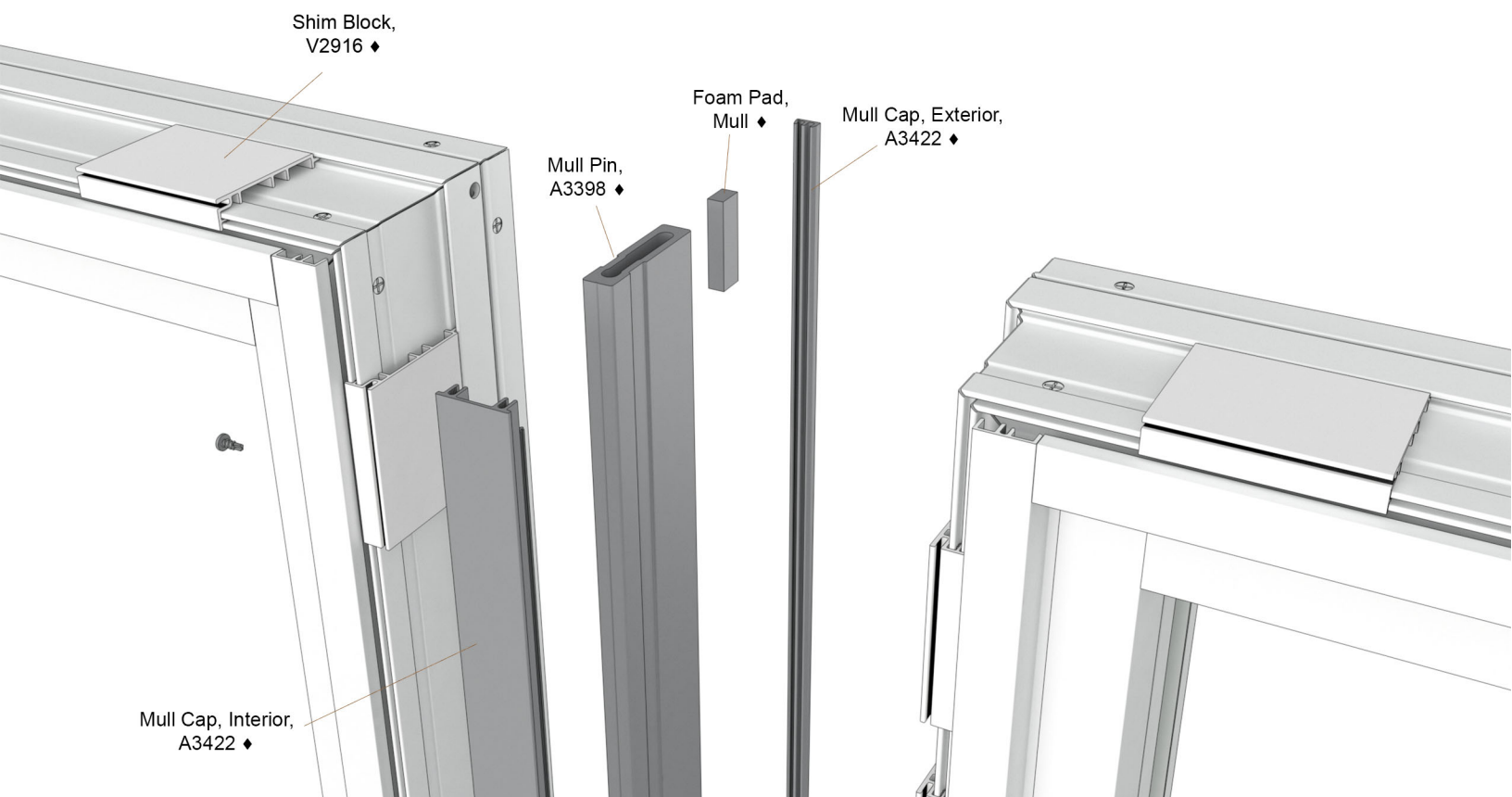
- Specification and technical data are subject to change without notice.

History

PRODUCED	UNIT TYPE	FEATURES OR CHANGES	STATUS
2019	Awning Push Out	2019-04-29 - Introduced the Modern Casement and Awning	Present

Modern Awning Push Out
Part Identification – Unit





◆ Available in the Modern Accessories chapter

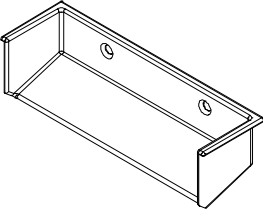
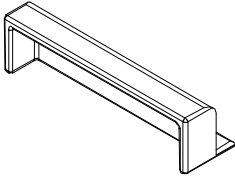
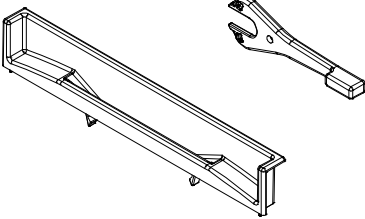
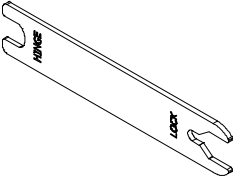
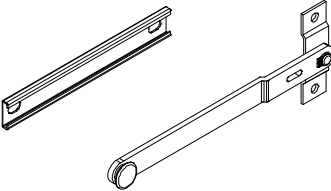
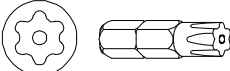
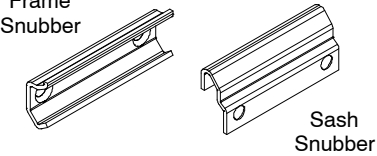
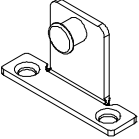
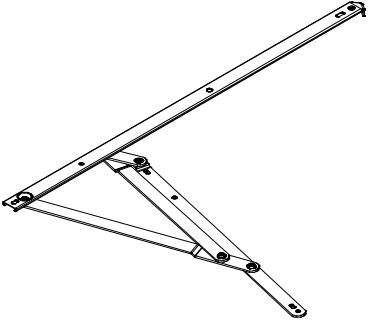
Illustration <i>Not to Scale</i>	Description	Color/Length	Part No.
	Push Out Escutcheon Kit <i>Includes:</i> 1 – Push out escutcheon 2 – #6 x 1/4" Phillips, flat head, stainless steel screws	Matte Black	11862761
		Matte Bronze	11862762
		Satin Nickel	11862763
		Silver	11862764
		Stone White	11862765
	Push Out Handle Kit <i>Includes:</i> 1 – Push out handle 2 – #8-15 x 1/2" AB, Phillips, flat head, stainless steel screws	Matte Black	11862756
		Matte Bronze	11862757
		Satin Nickel	11862758
		Silver	11862759
		Stone White	11862760
	Lock Handle and Escutcheon	Matte Black	10816465
		Matte Bronze	10816466
		Satin Nickel	10816467
		Silver	10816468
		Stone White	10816469
	Lock Handle Wrench	---	10810020
	Sash Limiter Kit, Custodial <i>Includes:</i> 1 – Sash Limiter and Track Assembly 4 – #8 x 15 x 3/8" Torx screw 1 – Torx tamper-proof custodial bit 1 – Field installation instruction	---	11850750
	T20 Torx Tamper-Proof Custodial Bit	---	02071481

Illustration <i>Not to Scale</i>	Description	Color/Length	Part No.
 <p>Frame Snubber</p> <p>Sash Snubber</p>	<p>Snubber Replacement Kit <i>Includes:</i> 4 – Frame snubber 4 – Sash snubber 16 – #8 x 15 x 1/2" type AB, Phillips, flat head, stainless steel screws</p>	Stainless Steel	11862479
	<p>Keeper Kit <i>Includes:</i> 1 – Keeper 2 – #8 x 15 x 1/2" type AB, Phillips, flat head stainless steel screws</p>	Stainless Steel	11862716
	<p>4-Bar Hinge Assembly Kit <i>Includes:</i> 1 – 4-bar hinge assembly 8 – #8 x 15 x 1/2" type AB, Phillips, flat head stainless steel screws</p>	Stainless Steel	
	For frame height 16.000" – 23.999"	10"	11862766
	For frame height 24.000" – 35.999"	16"	11862767
	For frame height 36.000" – 96.000"	24"	11862768

Tie Bar Assembly
Includes:
 #8-15 x 1/2" type AB, Phillips, flat head, stainless steel screws
 (see below for quantity included)

Lock Base Assembly (shown for illustrative purposes only – Must be ordered separately)

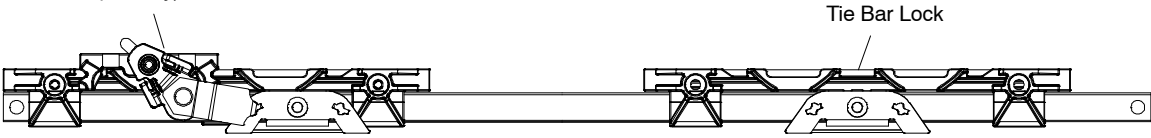
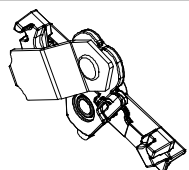
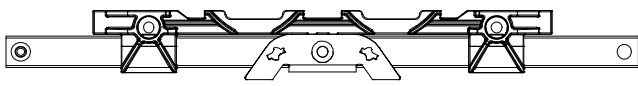


Illustration not to scale

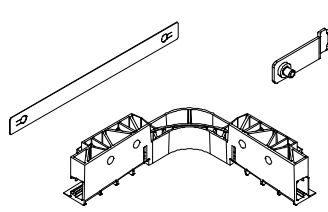
Description	Color	Length	LH Part No.	RH Part No.
For frame height 16.000" – 18.499" (includes 2 screws)	E-Gard	7 1/2"	11862733	11862734
			Part No.	
For frame height 18.500" – 31.999" (includes 2 screws)	E-Gard	10"	11862735	
For frame height 32.000" – 46.499" (includes 4 screws)	E-Gard	23 1/2"	11862736	
For frame height 46.500" – 55.999" (includes 6 screws)	E-Gard	38"	11863738	
For frame height 56.000" – 77.999" (includes 6 screws)	E-Gard	47 1/2"	11865741	
For frame height 78.000" – 83.999" (includes 6 screws)	E-Gard	53 1/2"	11862742	
For frame height 84.000" – 89.999" (includes 6 screws)	E-Gard	59 1/2"	11862743	
For frame height 90.000" – 96.000" (includes 6 screws)	E-Gard	65 1/2"	11862744	

Illustration Not to Scale	Description	Color	Part No.
	Lock Base Assembly Kit <i>Includes:</i> 1 – #8-15 x 1" TEK-3, full thread, Phillips, pan head screw	---	11862718

Sill Lock Kit
Includes:
 1 – Sill lock
 2 – #8-10 x 3/4" full thread, Phillips, pan head, stainless steel screws
 NOTE: Both a LH and RH part is used on frame widths over 71.999"

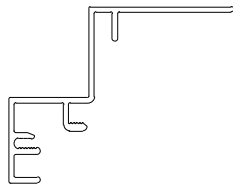


Description	Color	Length	LH Part No.	RH Part No.
For frame width 48.000" – 71.999"	E-Gard	16"	11862769	---
For frame width 72.000" – 96.000"	E-Gard	16"		11862770

Illustration Not to Scale	Description	Color	Part No.
	ATC Lock Assembly Kit <i>Includes:</i> 1 – ATC lock assembly 4 – #8-15 x 1" TEK-3, full thread, Phillips, pan head screws Qty of 1 used on frame width 48.000"–71.999" Qty of 2 used on frame width 72.000"–96.000"	---	11862717

When ordering replacement aluminum parts specify:

1. Order number/Line Number (if available)
2. Type of unit
3. Description
4. Color
5. Length



A3390, Interior Cover


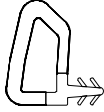
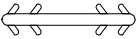
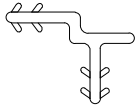
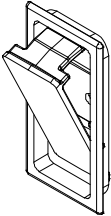
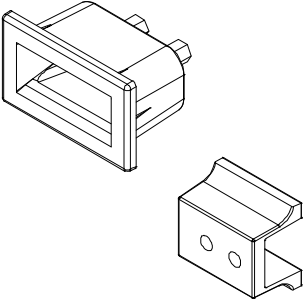
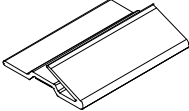
Illustration <i>Not to Scale</i>	Description	Length	Color	Part No.
	Sash Weather strip V2803	120" (5080)	Black	15816398
	Frame Weather Strip V2808	Specify Length	Black	15356397
	Connecting Barb V803	Specify Length	Beige	15812999
	Connecting Barb V087	6" (152)	Beige	16000602

Illustration <i>Not to Scale</i>	Description	Color	Part No.
	Screen Latch Assembly Kit <i>Includes:</i> 1 – Screen latch assembly 2 – Rivets		
		Ebony	11862481
		Bronze	11862482
		Stone White	11862483
		Gunmetal	11862484
	Silver	11862485	
	Screen Latch Receiver Assembly Kit <i>Includes:</i> 1 – Screen hardware latch receiver 1 – Screen hardware receiver back		
		Ebony	11862486
		Bronze	11862487
		Stone White	11862488
		Gunmetal	11862489
	Silver	11862490	
	Screen Alignment Bumper		
		Black	15709427