

MODERN AWNING Crank Out

Table of Contents

	Page
History	2
Part Identification – Unit	3
Part Identification – Mulling	4
Hardware Parts	5
Aluminum Parts	9
Vinyl Parts	10
Screen Parts	11
Replacement Sash and Screens are available through OMS	

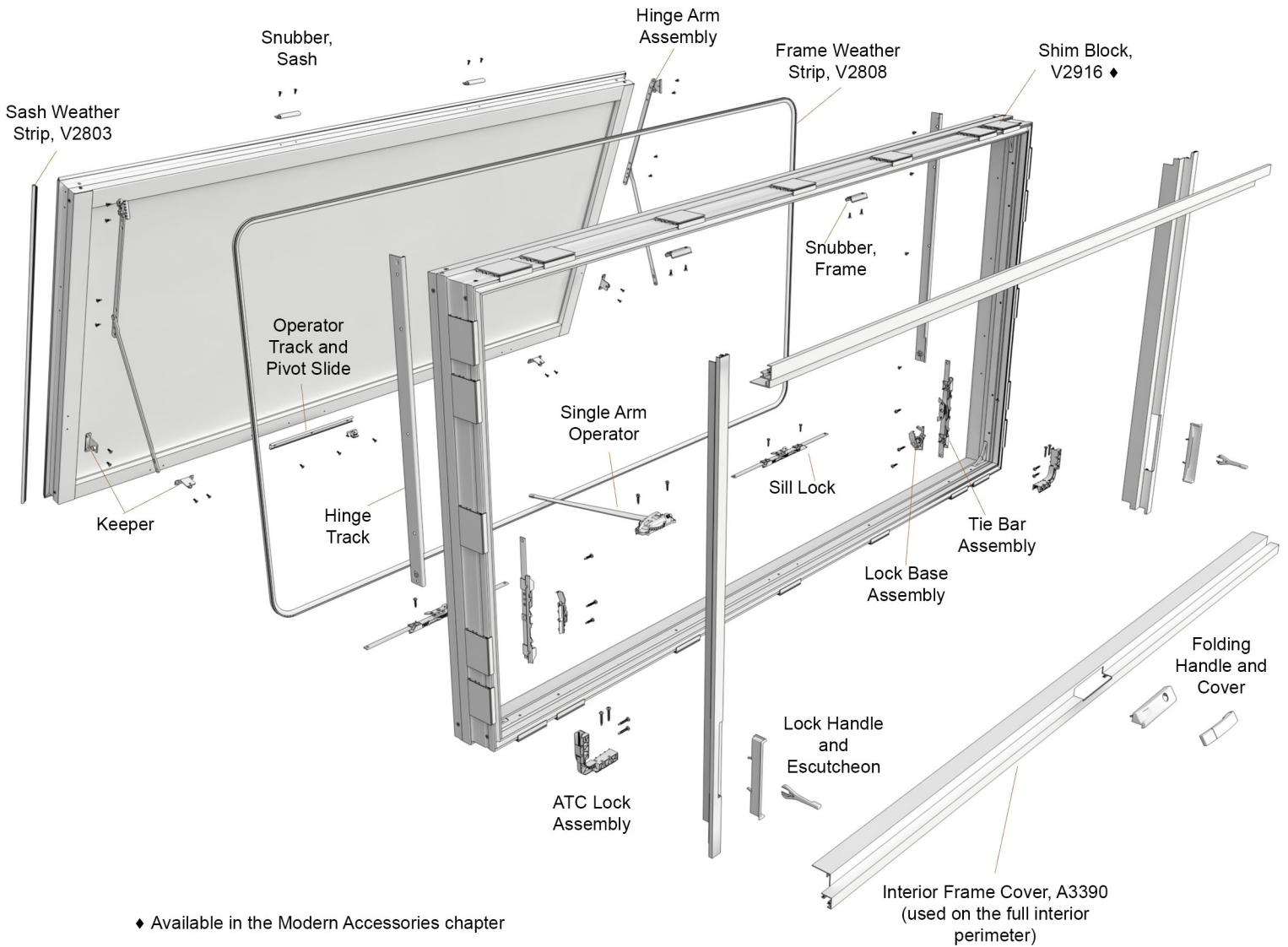
ATTENTION:

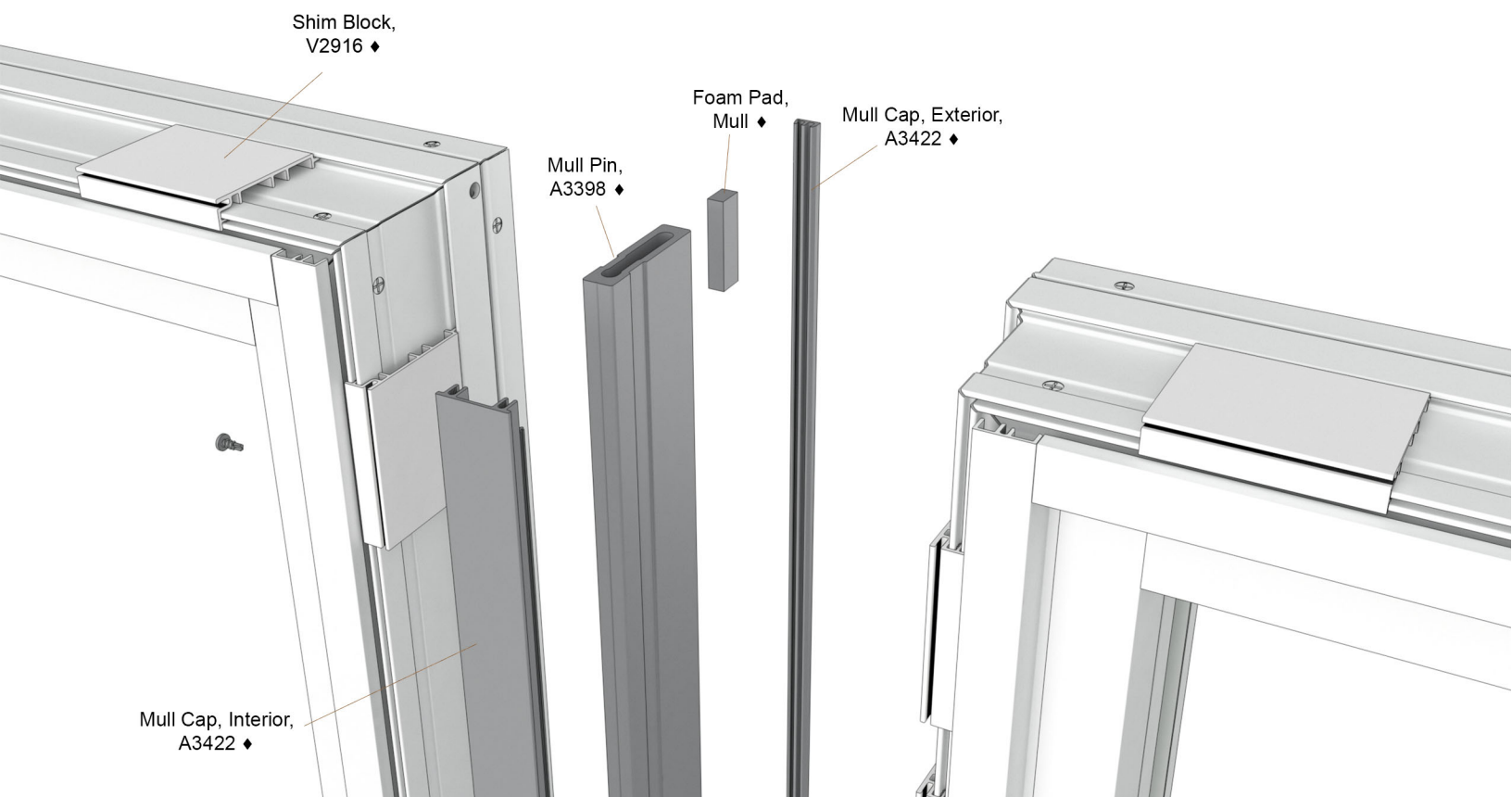
- Specification and technical data are subject to change without notice.

History

PRODUCED	UNIT TYPE	FEATURES OR CHANGES	STATUS
2019	Awning Crank Out	2019-04-29 - Introduced the Modern Casement and Awning	Present

Modern Awning Crank Out
Part Identification – Unit





♦ Available in the Modern Accessories chapter

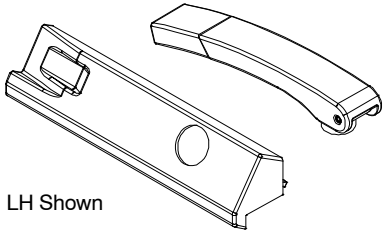

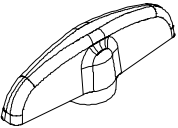
Illustration <i>Not to Scale</i>	Description	Color/Length	LH Part No.	RH Part No.
 <p>LH Shown</p>	Folding Handle and Cover			
		Matte Black	10816475	10816476
		Matte Bronze	10816477	10816478
		Satin Nickel	10816479	10816480
		Silver	10816481	10816482
		Stone White	10816483	10816484
Illustration <i>Not to Scale</i>	Description	Length	Color	Part No.
	Set Screw, Folding Handle	---	Black	10816485
	T-Handle, Operator (Construction Handle only)	---	---	10898670

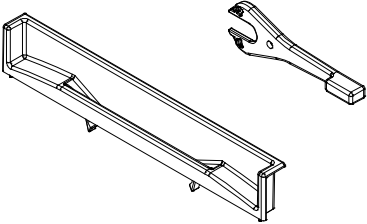
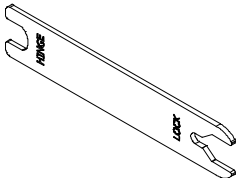
Illustration <i>Not to Scale</i>	Description	Oper/Color	Part No.
	Lock Handle and Escutcheon		
		Matte Black	10816465
		Matte Bronze	10816466
		Satin Nickel	10816467
		Silver	10816468
		Stone White	10816469
	Lock Handle Wrench	---	10810020

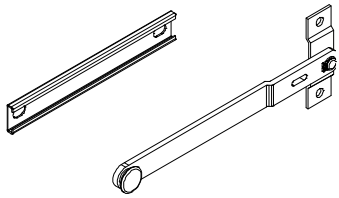
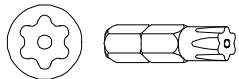
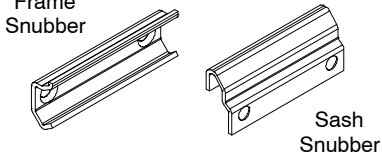
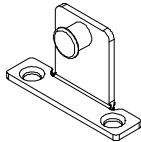
Illustration <i>Not to Scale</i>	Description	Oper/Color	Part No.
	Sash Limiter Kit, Custodial <i>Includes:</i> 1 – Sash Limiter and Track Assembly 4 – #8 x 15 x 3/8" Torx screw 1 – Torx tamper-proof custodial bit 1 – Field installation instruction	---	11850750
	T20 Torx Tamper-Proof Custodial Bit	---	02071481
 <p>Frame Snubber</p> <p>Sash Snubber</p>	Snubber Replacement Kit <i>Includes:</i> 4 – Frame snubber 4 – Sash snubber 16 – #8 x 15 x 1/2" type AB, Phillips, flat head, stainless steel screws	Stainless Steel	11862479
	Keeper Kit <i>Includes:</i> 1 – Keeper 2 – #8 x 15 x 1/2" type AB, Phillips, flat head, stainless steel screws	Stainless Steel	11862716

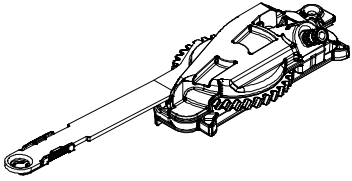
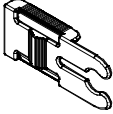
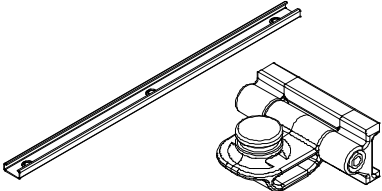
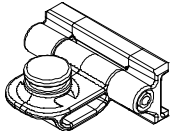
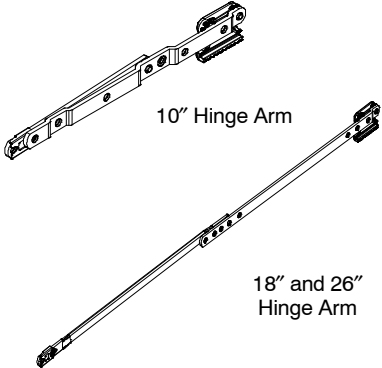
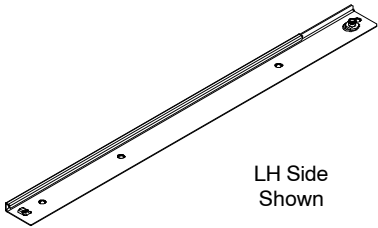
Illustration Not to Scale	Description	Length	Color	Part No.
	Single Arm Operator 1 - Single arm operator 2 - #8-10 x 3/4" full thread, Phillips, pan head, stainless steel screws			
	For frame width 20.000 - 24.99	5"	Painted Silver	11862753
	For frame width 25.000 - 31.999	8 1/2"		11862754
	For frame width 32.000 - 96.000	12"		11862755
	Detach Clip, Single Arm Operator	---	---	10500452
	Operator Track and Pivot Slide 1 - Operator track 1 - Pivot slide 3 - #8 x 15 x 1/2" type AB, Phillips, flat head, stainless steel screws			
	For frame width 20.000 - 24.99	5"	Stainless Steel	11862730
	For frame width 25.000 - 31.999	8 1/2"		11862731
	For frame width 32.000 - 96.000	12"		11862732
	Pivot Slide		Black	10816282

Illustration Not to Scale	Description	Color/Length	LH Part No.	RH Part No.
 <p>10" Hinge Arm</p> <p>18" and 26" Hinge Arm</p>	Hinge Arm Kit 1 - Hinge arm 4 - #8 x 15 x 1/2" type AB, Phillips, flat head, stainless steel screws			
	For frame height 16.000" - 19.999"	Stainless Steel 10"	11862704	11862705
	For frame height 20.000" - 35.999"	Stainless Steel 18"	11862706	11862707
	For frame height 36.000" - 96.000"	Stainless Steel 26"	11862708	11862709
 <p>LH Side Shown</p>	Hinge Track Kit 1 - Hinge Track 4 - #8 x 15 x 1/2" type AB, Phillips, flat head, stainless steel screws			
	For frame height 16.000" - 19.999"	Stainless Steel 10"	11862710	11862711
	For frame height 20.000" - 35.999"	Stainless Steel 18"	11862712	11862713
	For frame height 36.000" - 96.000"	Stainless Steel 26"	11862714	11862715

Tie Bar Assembly

Lock Base Assembly (shown for illustrative purposes only – Must be ordered separately)

Includes:
 #8-15 x 1/2" type AB, Phillips, flat head, stainless steel screws
 (see below for quantity included)

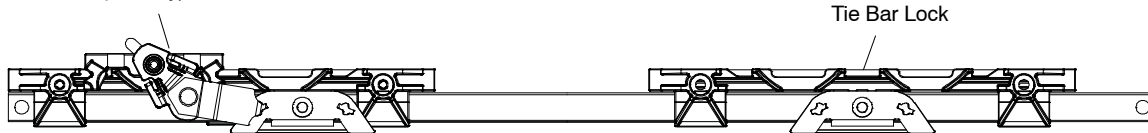


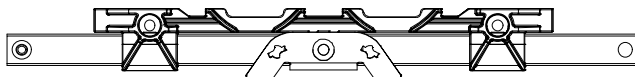
Illustration not to scale

Description	Color	Length	LH Part No.	RH Part No.
For frame height 16.000" – 18.499" (includes 2 screws)	E-Gard	7 1/2"	11862733	11862734
			Part No.	
For frame height 18.500" – 31.999" (includes 2 screws)	E-Gard	10"	11862735	
For frame height 32.000" – 46.499" (includes 4 screws)	E-Gard	23 1/2"	11862736	
For frame height 46.500" – 55.999" (includes 6 screws)	E-Gard	38"	11863738	
For frame height 56.000" – 77.999" (includes 6 screws)	E-Gard	47 1/2"	11865741	
For frame height 78.000" – 83.999" (includes 6 screws)	E-Gard	53 1/2"	11862742	
For frame height 84.000" – 89.999" (includes 6 screws)	E-Gard	59 1/2"	11862743	
For frame height 90.000" – 96.000" (includes 6 screws)	E-Gard	65 1/2"	11862744	

Illustration Not to Scale	Description	Color	Part No.
	Lock Base Assembly Kit <i>Includes:</i> 1 – #8-15 x 1" TEK-3, full thread, Phillips, pan head screw	---	11862718

Sill Lock Kit

Includes:
 1 – Sill lock
 2 – #8-10 x 3/4" full thread, Phillips, pan head, stainless steel screws
 NOTE: Both a LH and RH part is used on frame widths over 71.999"

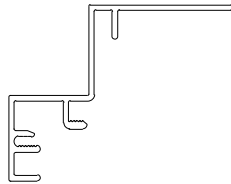


Description	Color	Length	LH Part No.	RH Part No.
For frame width 48.000" – 71.999"	E-Gard	16"	11862769	---
For frame width 72.000" – 96.000"	E-Gard	16"		11862770

Illustration Not to Scale	Description	Color	Part No.
	ATC Lock Assembly Kit <i>Includes:</i> 1 – ATC lock assembly 4 – #8-15 x 1" TEK-3, full thread, Phillips, pan head screws Qty of 1 used on frame width 48.000"–71.999" Qty of 2 used on frame width 72.000"–96.000"	---	11862717

When ordering replacement aluminum parts specify:

1. Order number/Line Number (if available)
2. Type of unit
3. Description
4. Color
5. Length



A3390, Interior Cover


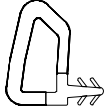
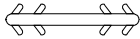
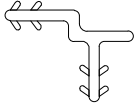
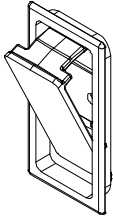
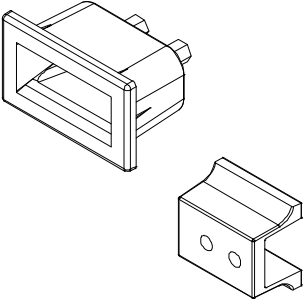
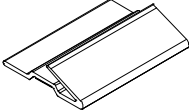
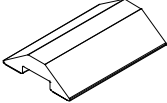
Illustration <i>Not to Scale</i>	Description	Length	Color	Part No.
	Sash Weather strip V2803	120" (5080)	Black	15816398
	Frame Weather Strip V2808	Specify Length	Black	15356397
	Connecting Barb V803	Specify Length	Beige	15812999
	Connecting Barb V087	6" (152)	Beige	16000602

Illustration <i>Not to Scale</i>	Description	Color	Part No.
	Screen Latch Assembly Kit <i>Includes:</i> 1 – Screen latch assembly 2 – Rivets		
		Ebony	11862481
		Bronze	11862482
		Stone White	11862483
		Gunmetal	11862484
	Silver	11862485	
	Screen Latch Receiver Assembly Kit <i>Includes:</i> 1 – Screen hardware latch receiver 1 – Screen hardware receiver back		
		Ebony	11862486
		Bronze	11862487
		Stone White	11862488
		Gunmetal	11862489
	Silver	11862490	
	Screen Alignment Bumper		
		Black	15709427
	Screen Bottom Rail Bumper		
		Gray	15709428