

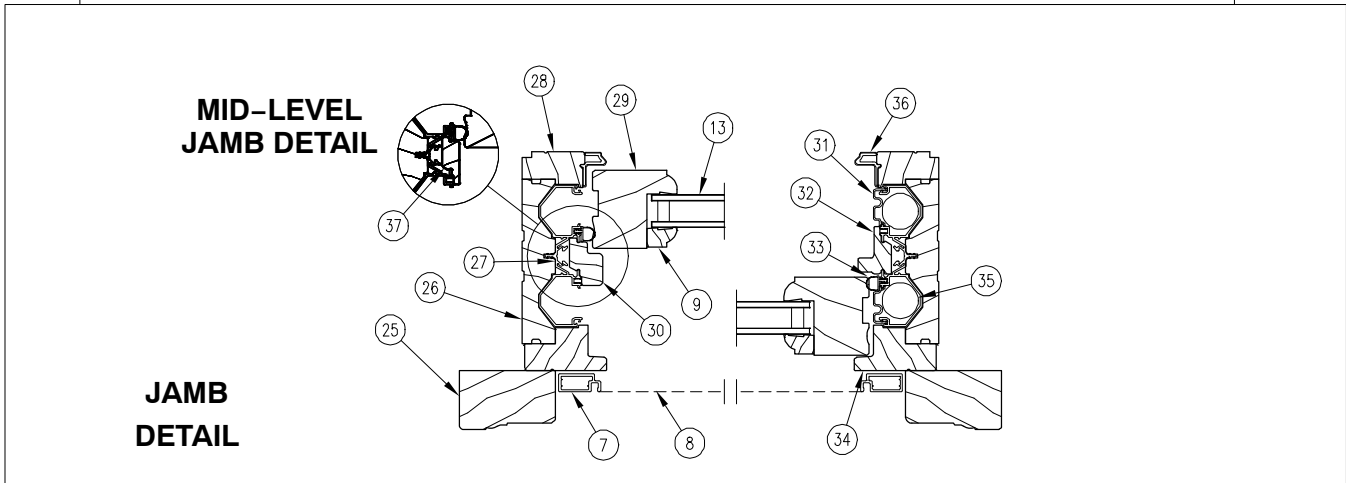
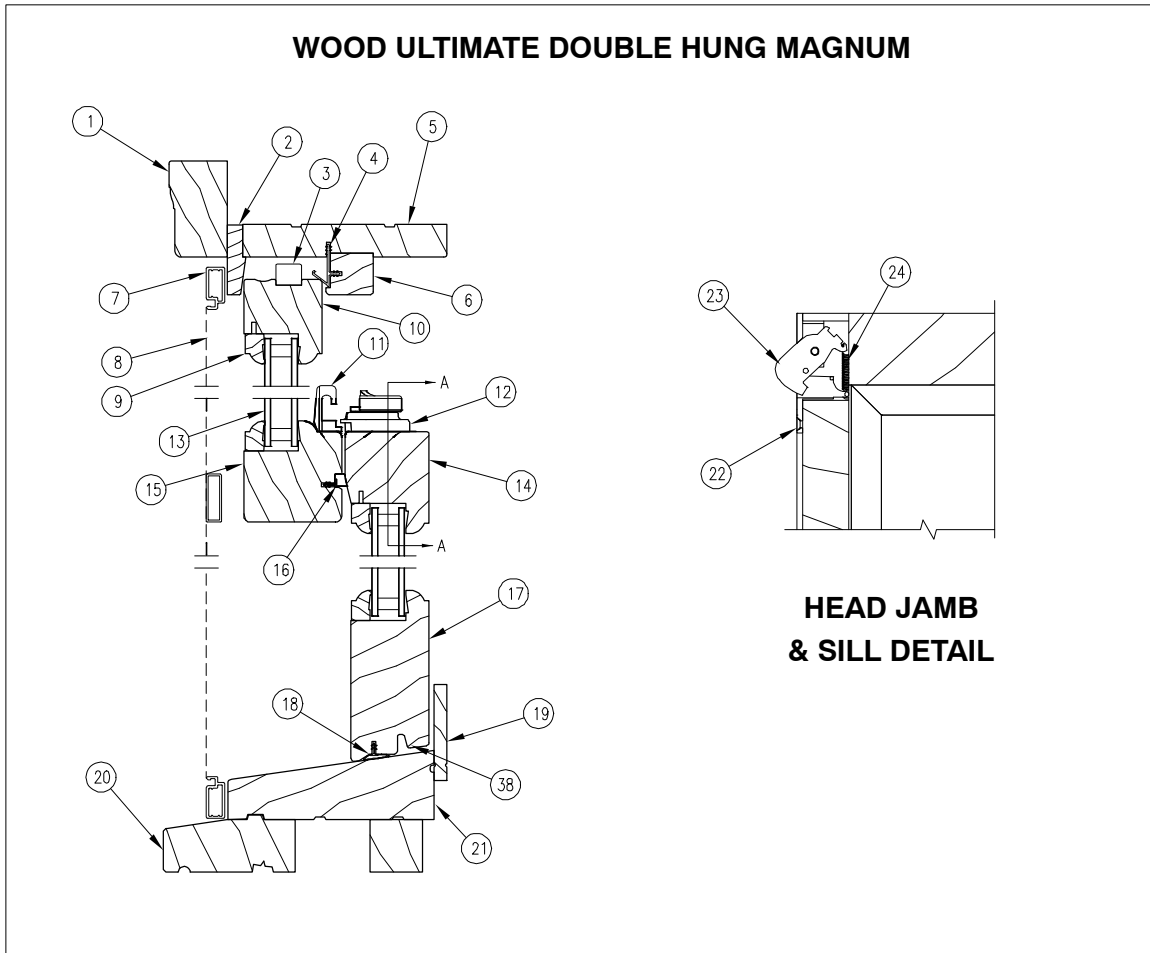
ULTIMATE DOUBLE HUNG AND SINGLE HUNG MAGNUM, MAGNUM DOUBLE AND SINGLE HUNG TILT PAC

Table of Contents

	PAGE
History	2
Part Identification – Wood Ultimate Double Hung Magnum	4
Part Identification – Wood Ultimate Single Hung Magnum	5
Part Identification – Wood Ultimate Double Hung Magnum Picture 1 5/8”	6
Part Identification – Wood Ultimate Double Hung Magnum Picture 2”	7
Part Identification – Wood Ultimate Double Hung Magnum Transom	8
Part Identification – Clad Ultimate Double Hung Magnum	9
Part Identification – Clad Ultimate Single Hung Magnum	10
Part Identification – Clad Ultimate Double Hung Magnum Picture 2”	11
Part Identification – Clad Ultimate Double Hung Magnum Transom	12
Parts – Ultimate Double Hung Magnum	13
Balances – Ultimate Double Hung Magnum	17
Jamb Carriers – Ultimate Double Hung Magnum	18
Replacement Wood Parts – Ultimate Double Hung Magnum	19
Replacement Aluminum and Vinyl Parts – Ultimate Double Hung Magnum	20
Sash Replacement – Ultimate Double Hung Magnum	21
Weather strip – Ultimate Double Hung Magnum	23
Screens and Screen Parts Full, Half, IZ3 Ultimate Double Hung Magnum	24
Energy Panels Conversions Ultimate Double Hung Magnum	25
Combination Units Conversions and Parts – Ultimate Double Hung Magnum	27
Obsolete Parts	
Obsolete Parts – Ultimate Double Hung Magnum	29
Magnum Double Hung/Single Hung Tilt Pac	
Balances and Liners – Wood and Clad Magnum Tilt Pac	32
Vinyl, Wood and Aluminum Parts – Wood and Clad Magnum Tilt Pac	33
Weather Strip – Wood and Clad Magnum Tilt Pac	34
Sash Replacement – Wood and Clad Magnum Tilt Pac	35
Parts – Wood and Clad Magnum Tilt Pac	36

PRODUCED	UNIT TYPE	FEATURES OR CHANGES	STATUS
1984	Magnum Double Hung	Introduced Magnum Double Hung. Unit features 1 3/4" sash, white vinyl jamb liners and dual balance system.	2005
1985	Magnum Double Hung	Standard color on vinyl jamb liners changed from white to beige. Change from crescent style lock to cam style lock.	2005 1993
1985	Magnum Double Hung Tilt Pac	Introduced Magnum Double Hung Tilt Pac. Replacement kit contains: 1 3/4" sash, beige vinyl jamb liners, dual balance system and sash brackets.	Present
1986	Magnum Historical Double Hung, Single Hung and Tilt Pac	Introduced Magnum Historical Double Hung, Single Hung and Tilt Pac. Unit features historic profile muntin and bars, 1 3/4" sash, routed finger pulls, dual balance system, white vinyl jamb liners, white cam lock and (optional) white interior energy panel.	Present
1986	Magnum Single Hung and Single Hung Tilt Pac	Unit features 1 3/4" sash, dual balance system and beige vinyl jamb liners.	Present
1989	Clad Magnum Double Hung and Clad Tilt Pac	Introduced Clad Magnum Double Hung and Clad Magnum Tilt Pac. Unit features 1 3/4" sash, beige vinyl jamb liners and dual balance system. Clad exterior available in bronze, white and pebble gray.	Present
1991	Wood Magnum Simulated Triple Hung	Introduced Magnum Simulated Triple Hung. Unit features three 1 3/4" sash in frame (two fixed and one operating), beige vinyl jamb liners and dual balance system.	Present
1991	Clad Magnum Replacement System	Introduced Clad Magnum Replacement system. Replacement kit contains: two 1 3/4" sash, beige vinyl jamb liners, dual balance system and frame panning.	Present
1991	Wood and Clad Magnum Units	Locks no longer offset on ADL units with center bar. Munt routed for keeper.	Present
1992	Wood Magnum Triple Hung	Introduced Wood Magnum Triple Hung. Unit features three 1 3/4" sash in frame (counter balanced top and bottom sash with stationary center sash). Beige vinyl jamb liners.	Present
1992	Wood Magnum Units	Simulated divided lite introduced.	Present
1993	Wood and Clad Magnum Double Hung, Single Hung, Tilt Pac and Wood Magnum Triple Hung and Simulated Triple Hung	Sash lock changed to spring loaded sash lock.	Present
1993	Clad Magnum Units	Simulated divided lite introduced.	Present
1993	Clad Magnum Double Hung and Clad Tilt Pac	Factory applied brick mould casing introduced.	Present
1994	Magnum Historical Double Hung, Single Hung and Tilt Pac	Interior energy panel surround changed from vinyl to metal. Energy panel fastening clip changed from butterfly clip to push/pull panel clip.	Present
2002	Clad Magnum Units	3/02 Stone White becomes a standard color. Arctic White transitions to a select color.	Present
2003	Wood Magnum Units, Clad Magnum Units, Magnum Historical Double Hung, Single Hung and Tilt Pac	3/31/03 Satin Taupe (TP) hardware replaces bronze as standard.	Present
2005	Wood and Clad Ultimate Double Hung Magnum	8/1/05 Introduced the Ultimate Double Hung Magnum. The Magnum Double Hung line retires.	Present
2008	Wood and Clad Ultimate Double Hung Magnum	6/02/2008 Introduced charcoal colored high transparency screen mesh (CH HI-TRAN) as an option on all window and door products (including combinations).	Present

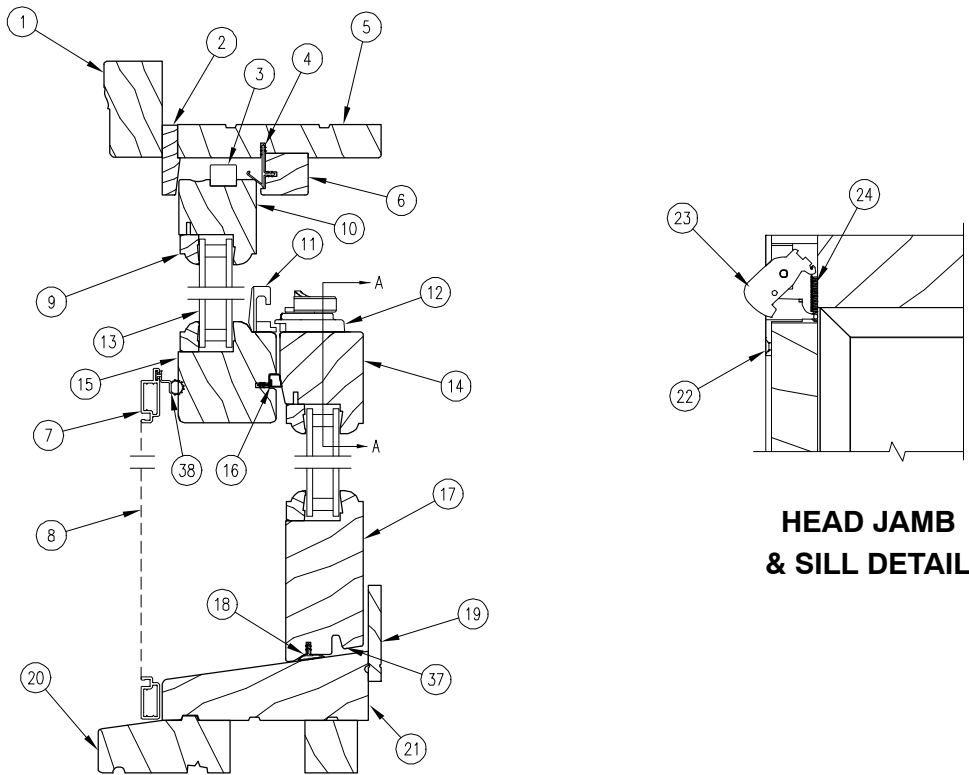
PRODUCED	UNIT TYPE	FEATURES OR CHANGES	STATUS
2008	Clad Ultimate Double Hung Magnum	7/28/2008 Mixed grain Douglas fir is now a standard option.	Present
2009	All	3/23/2009 Added LoE ³ -366™ as a standard option for all products. Added Cedro Macho as a standard option for all clad products.	Present
2011	All	04/25/2011 Added LoE ³ -180™ as a standard option for all products. White painted interior finish option introduced for all products.	Present
2012	WUDHM and CUDHM	04-30-2012 Introduced a new screen design as standard.	Present
	WUDHM and CUDHM	10-29-2012 Interior Square Sticking/Glazing Bead option introduced.	
	All	12-17-2012 Introduced Clear interior finish option on all products.	
2013	All	04/29/2013 Introduced interior stain options. Stain colors are Wheat, Honey, Leather, Hazelnut, Cabernet and Espresso.	Present
2016	All	10/31/2016 Obsolescence of the wood species Cedro Macho for all products.	Present
2017	All	10/30/2017 Discontinued Ep colors with exception of Stone White and Bronze	Present
2017	All	10/30/2017 Discontinuation of old style Magnum frame parts and Panning System.	Present



NOTE: Not to scale; specifications subject to change without notice.

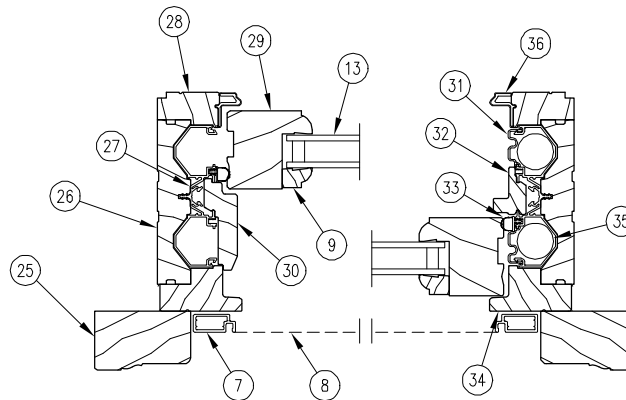
- | | | | |
|-------------------------------------|-------------------------------------|------------------------------------|---|
| 1. Top Brick Mould Casing, W1047 | 10. Top Rail | 19. Sill Liner, W8914 | 29. Stile |
| 2. Top Blind Stop | 11. Sash Keeper | 20. Subsill, W2134 | 30. Exterior Jamb Filler (Lower), W8927 |
| 3. Tilt Latch | 12. Sash Lock | 21. Sill | 31. Balance Cover |
| 4. Parting Stop Weather strip, V945 | 13. Insulated Glass | 22. End Plate | 32. Interior Jamb Filler, W8878 |
| 5. Head Jamb | 14. Bottom Check Rail | 23. Locking Blade | 33. Frame Weather strip, V1419 |
| 6. Parting Stop, W8883 | 15. Top Check Rail | 24. Extension Spring | 34. Jamb Blind Stop |
| 7. Screen Frame | 16. Check Rail Weather strip, V031 | 25. Side Brick Mould Casing, W1047 | 35. Sash Balance Tube |
| 8. Screen Mesh | 17. Bottom Rail | 26. Jamb | 36. Jamb Liner Stop, A1402 |
| 9. Glazing Bead | 18. Bottom Rail Weather strip, V147 | 27. Vinyl Jamb Carrier, V1375 | 37. Exterior Jamb Filler (Upper) |
| | | 28. Jamb Liner, W8880 | 38. Sill Bracket |

WOOD ULTIMATE SINGLE HUNG MAGNUM



**HEAD JAMB
 & SILL DETAIL**

**JAMB
 DETAIL**

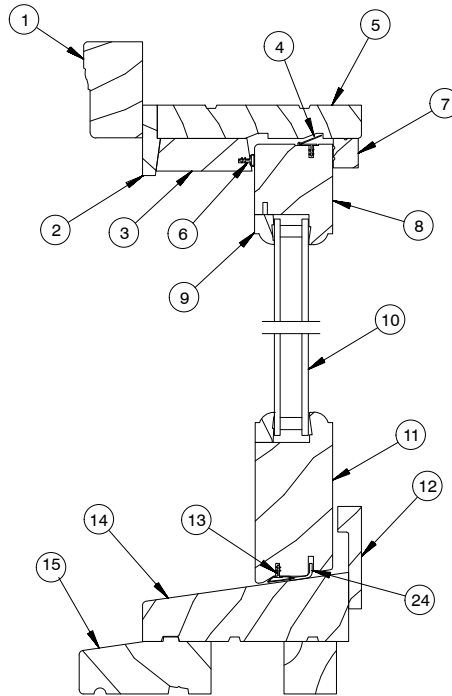


NOTE: Not to scale; specifications subject to change without notice.

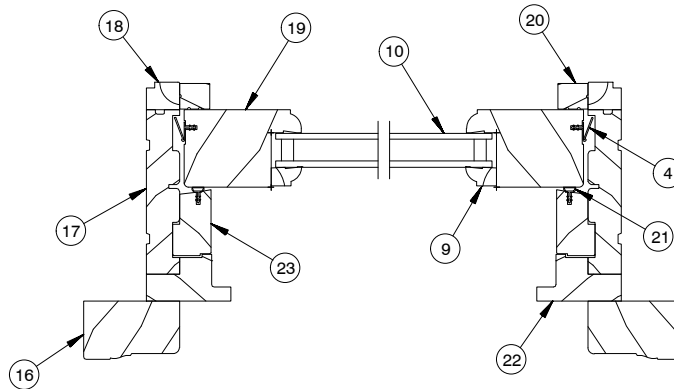
- | | | | |
|-------------------------------------|-------------------------------------|------------------------------------|------------------------------------|
| 1. Top Brick Mould Casing, W1047 | 10. Top Rail | 19. Sill Liner, W8914 | 29. Stile |
| 2. Top Blind Stop | 11. Sash Keeper | 20. Subsill, W2134 | 30. Single Hung Filler, W9004 |
| 3. Tilt Latch | 12. Sash Lock | 21. Sill | 31. Balance Cover |
| 4. Parting Stop Weather strip, V945 | 13. Insulated Glass | 22. End Plate | 32. Bottom Wood Jamb Filler, W8878 |
| 5. Head Jamb | 14. Bottom Check Rail | 23. Locking Blade | 33. Frame Weather strip, V1419 |
| 6. Parting Stop, W8883 | 15. Top Check Rail | 24. Extension Spring | 34. Jamb Blind Stop |
| 7. Screen Frame | 16. Check Rail Weather strip, V031 | 25. Side Brick Mould Casing, W1047 | 35. Sash Balance Tube |
| 8. Screen Mesh | 17. Bottom Rail | 26. Jamb | 36. Jamb Liner Stop, A1402 |
| 9. Glazing Bead | 18. Bottom Rail Weather strip, V147 | 27. Vinyl Jamb Carrier, V1375 | 37. Sill Bracket |
| | | 28. Jamb Liner, W8880 | 38. 1/2 Screen Foam Liner |

WOOD ULTIMATE DOUBLE HUNG MAGNUM PICTURE 1 5/8"

**HEAD JAMB
 & SILL DETAIL**



**JAMB
 DETAIL**

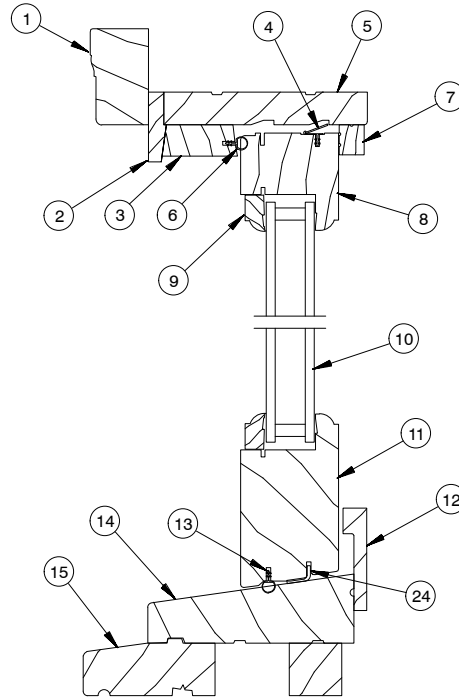


NOTE: Not to scale; specifications subject to change without notice.

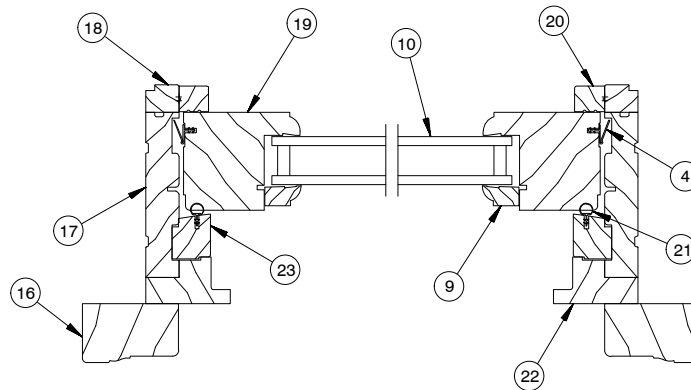
- | | | |
|-------------------------------------|-------------------------------------|------------------------------|
| 1. Top Brick Mould Casing, W1047 | 9. Glazing Bead | 17. Jamb |
| 2. Top Blind Stop, W2125 | 10. Insulated Glass | 18. Jamb Liner, W2143 |
| 3. Exterior Head Jamb Filler, W2175 | 11. Bottom Rail | 19. Stile |
| 4. Vinyl Retainer, V130 | 12. Sill Liner, W8992 | 20. Interior Stop, W7134 |
| 5. Head Jamb | 13. Bottom Rail Weather strip, V147 | 21. Sash Weather strip, V147 |
| 6. Top Rail Weather strip, V147 | 14. Sill | 22. Exterior Blind Stop |
| 7. Interior Stop | 15. Subsill, W2134 | 23. Exterior Filler, W2177 |
| 8. Top Rail | 16. Side Brick Mould Casing, W1047 | 24. Sill Bracket |

WOOD ULTIMATE DOUBLE HUNG MAGNUM PICTURE 2"

**HEAD JAMB
 & SILL DETAIL**



**JAMB
 DETAIL**

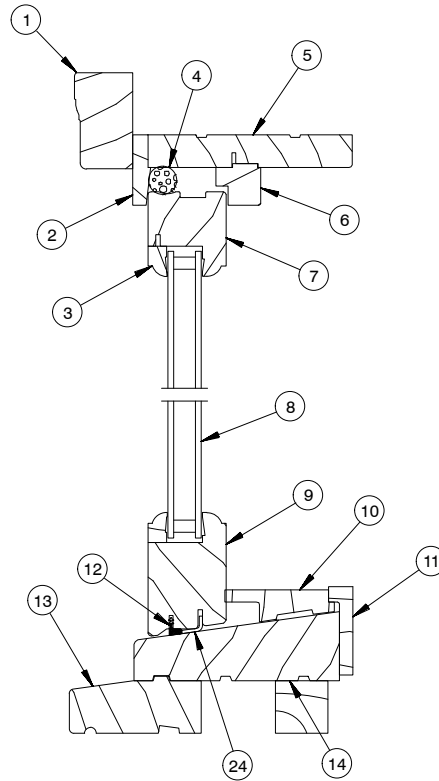


NOTE: Not to scale; specifications subject to change without notice.

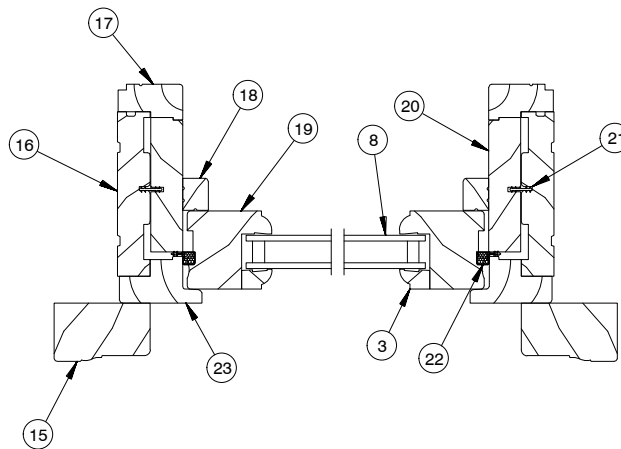
- | | | |
|-------------------------------------|-------------------------------------|------------------------------|
| 1. Top Brick Mould Casing, W1047 | 9. Glazing Bead | 17. Jamb |
| 2. Top Blind Stop, W2125 | 10. Insulated Glass | 18. Jamb Liner, W2143 |
| 3. Exterior Head Jamb Filler, W2175 | 11. Bottom Rail | 19. Stile |
| 4. Vinyl Retainer, V130 | 12. Sill Liner, W8992 | 20. Interior Stop, W7134 |
| 5. Head Jamb | 13. Bottom Rail Weather strip, V147 | 21. Sash Weather strip, V147 |
| 6. Top Rail Weather strip, V147 | 14. Sill | 22. Exterior Blind Stop |
| 7. Interior Stop | 15. Subsill, W2134 | 23. Exterior Filler, W2177 |
| 8. Top Rail | 16. Side Brick Mould Casing, W1047 | 24. Sill Bracket |

WOOD ULTIMATE DOUBLE HUNG MAGNUM TRANSOM

**HEAD JAMB
 & SILL DETAIL**



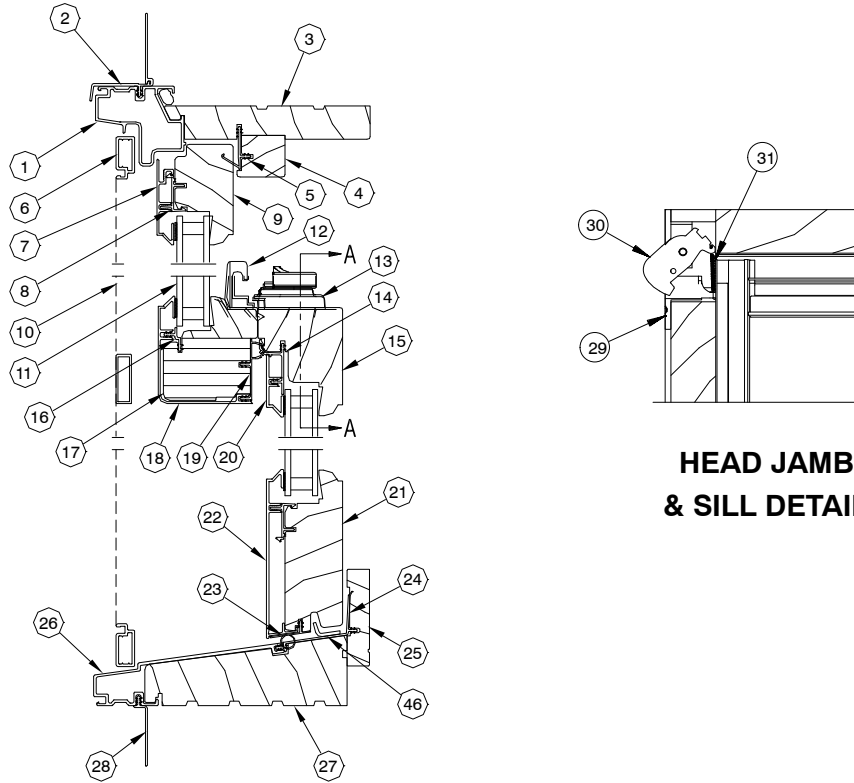
**JAMB
 DETAIL**



NOTE: Not to scale; specifications subject to change without notice.

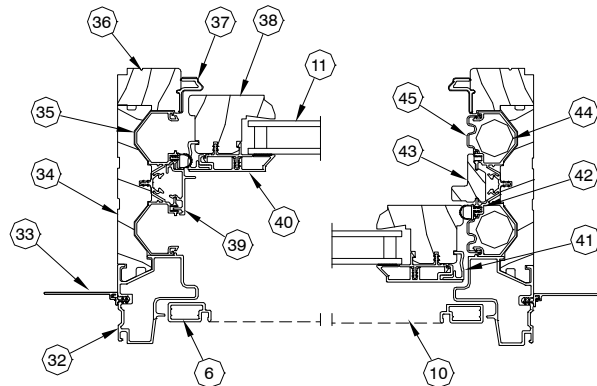
- | | | |
|----------------------------------|------------------------------------|--------------------------------|
| 1. Top Brick Mould Casing, W1047 | 9. Bottom Rail | 17. Interior Jamb Liner, W2127 |
| 2. Top Blind Stop, W2125 | 10. Sash Filler | 18. Interior Stop |
| 3. Sash Glazing Bead | 11. Sill Liner, W2179 | 19. Stile |
| 4. Foam Backer Rod | 12. Bottom Rail Weather strip | 20. Jamb Filler, W7126 |
| 5. Head Jamb | 13. Subsill, W2134 | 21. Connecting Barb |
| 6. Head Jamb Stop, W7136 | 14. Sill | 22. Jamb Weather strip, V031 |
| 7. Top Rail | 15. Side Brick Mould Casing, W1047 | 23. Exterior Blind Stop, W8950 |
| 8. Insulated Glass | 16. Jamb | 24. Sill Bracket |

CLAD ULTIMATE DOUBLE HUNG MAGNUM



**HEAD JAMB
 & SILL DETAIL**

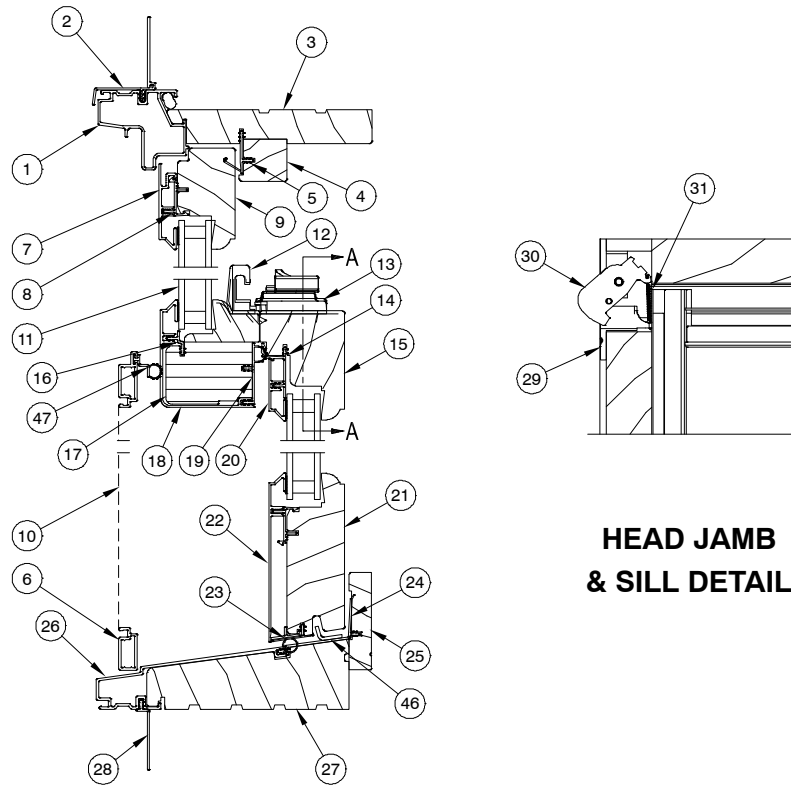
**JAMB
 DETAIL**



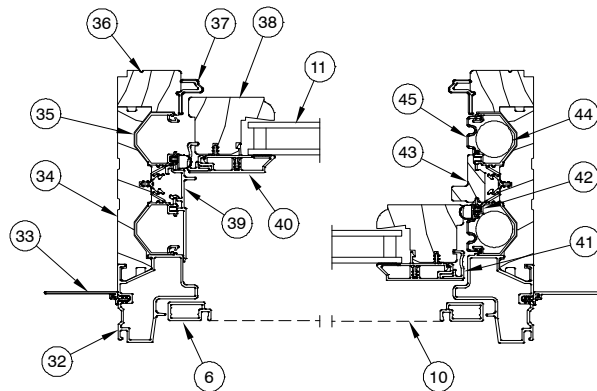
NOTE: Not to scale; specifications subject to change without notice.

- | | | | |
|-------------------------------------|--|-------------------------------------|--------------------------------------|
| 1. Head Jamb Cladding | 12. Sash Keeper | 22. Bottom Rail Cladding | 34. Side Jamb |
| 2. Head Jamb Nailing Fin/Drip Cap | 13. Sash Lock | 23. Bottom Rail Weather strip, V937 | 35. Vinyl Jamb Carrier, V1375 |
| 3. Head Jamb | 14. Bottom Checkrail Cladding Connector | 24. Sill Cover | 36. Jamb Liner, W8877 |
| 4. Parting Stop, W8883 | 15. Bottom Checkrail | 25. Sill Liner, W8860 | 37. Wood Wrap Interior Stop |
| 5. Parting Stop Weather strip, V945 | 16. Top Checkrail Cladding Connector, V929 | 26. Sill Cladding | 38. Stile |
| 6. Screen Frame | 17. Top Checkrail | 27. Sill | 39. Clad Jamb Filler, A1388 |
| 7. Top Rail Cladding | 18. Top Checkrail Cladding | 28. Sill Nailing Fin | 40. Stile Cladding |
| 8. Sash Cladding Connector, V929 | 19. Top Checkrail Weather strip, V920 | 29. End Plate | 41. Contact Strip, V1500 |
| 9. Top Rail | 20. Bottom Checkrail Cladding | 30. Locking Blade | 42. Frame Weather strip, V1419 |
| 10. Screen Mesh | 21. Bottom Rail | 31. Extension Spring | 43. Interior Wood Jamb Filler, W8878 |
| 11. Insulating Glass | | 32. Jamb Cladding | 44. Sash Balance Tube |
| | | 33. Side Jamb Nailing Fin | 45. Balance Cover |
| | | | 46. Sill Bracket |

CLAD ULTIMATE SINGLE HUNG MAGNUM



**HEAD JAMB
 & SILL DETAIL**

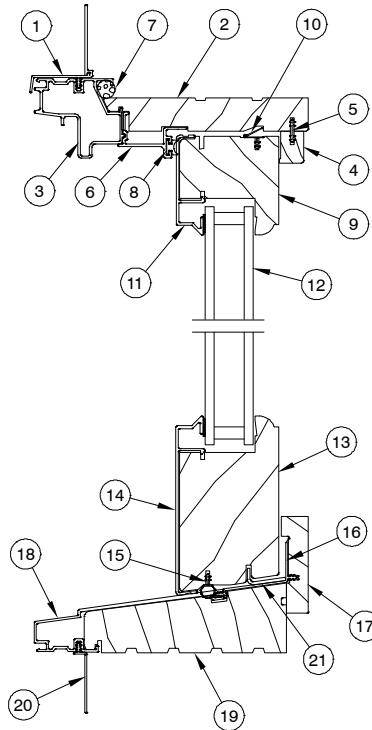


**JAMB
 DETAIL**

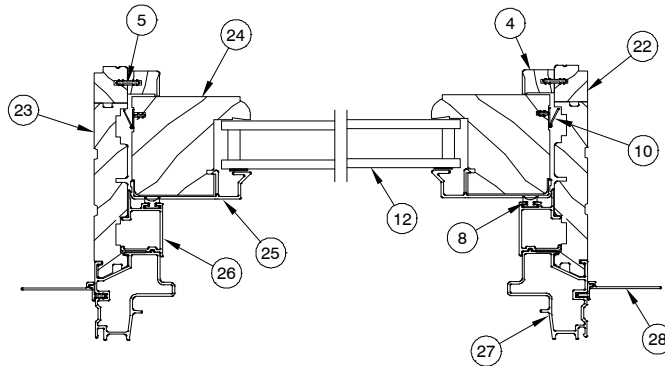
NOTE: Not to scale; specifications subject to change without notice.

- | | | | |
|-------------------------------------|--|-------------------------------|--------------------------------|
| 1. Head Jamb Cladding | 13. Sash Lock | 24. Sill Cover | 37. Jamb Liner Stop, A1402 |
| 2. Head Jamb Nailing Fin/Drip Cap | 14. Bottom Checkrail Cladding Connector | 25. Sill Liner, W8860 | 38. Stile |
| 3. Head Jamb | 15. Bottom Checkrail | 26. Sill Cladding | 39. Clad SH Jamb Filler, A1413 |
| 4. Parting Stop, W8883 | 16. Top Checkrail Cladding Connector, V929 | 27. Sill | 40. Stile Cladding |
| 5. Parting Stop Weather strip, V945 | 17. Top Checkrail | 28. Sill Nailing Fin | 41. Contact Strip, V1500 |
| 6. Screen Frame | 18. Top Checkrail Cladding | 29. End Plate | 42. Frame Weather Strip, V1419 |
| 7. Top Rail Cladding | 19. Top Checkrail Weather strip, V920 | 30. Locking Blade | 43. Wood Jamb Filler, W8878 |
| 8. Sash Cladding Connector, V929 | 20. Bottom Checkrail Cladding | 31. Extension Spring | 44. Sash Balance Tube |
| 9. Top Rail | 21. Bottom Rail | 32. Jamb Cladding | 45. Balance Cover |
| 10. Screen Mesh | 22. Bottom Rail Cladding | 33. Side Jamb Nailing Fin | 46. Sill Bracket |
| 11. Insulating Glass | 23. Bottom Rail Weather strip, V937 | 34. Side Jamb | 47. 1/2 Screen Foam Liner |
| 12. Sash Keeper | | 35. Vinyl Jamb Carrier, V1375 | |
| | | 36. Jamb Liner, W8877 | |

CLAD ULTIMATE DOUBLE HUNG MAGNUM PICTURE 2"



**HEAD JAMB
 & SILL DETAIL**

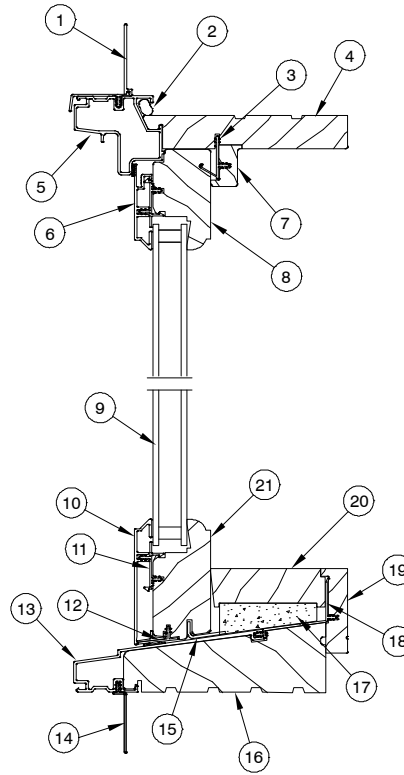


**JAMB
 DETAIL**

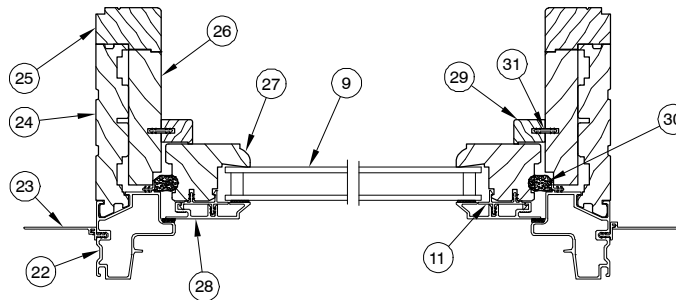
NOTE: Not to scale; specifications subject to change without notice.

- | | | | |
|--------------------------------------|-------------------------------|--|--------------------------|
| 1. Head Jamb Nailing
Fin/Drip Cap | 8. Filler Weather strip, V196 | 15. Bottom Rail Weather strip,
V147 | 22. Jamb Liner, W2025 |
| 2. Head Jamb | 9. Top Rail | 16. Sill Cover, V931 | 23. Jamb |
| 3. Head Jamb Cladding | 10. Vinyl Retainer, V1207 | 17. Sill Liner, W8991 | 24. Stile |
| 4. Interior Sash Stop, W3111 | 11. Top Rail Cladding | 18. Sill Cladding | 25. Stile Cladding |
| 5. Connecting Barb | 12. Insulating Glass | 19. Sill | 26. Jamb Filler Cladding |
| 6. Head Jamb Filler Cladding | 13. Bottom Rail | 20. Sill Nailing Fin | 27. Jamb Cladding |
| 7. Foam Backer Rod | 14. Bottom Rail Cladding | 21. Sill Bracket | 28. Jamb Nailing Fin |

CLAD ULTIMATE DOUBLE HUNG MAGNUM TRANSOM



**HEAD JAMB
 & SILL DETAIL**



**JAMB
 DETAIL**

- | | | | |
|--------------------------------------|--|------------------------|-----------------------------------|
| 1. Head Jamb Nailing
Fin/Drip Cap | 8. Top Rail | 16. Sill | 24. Jamb |
| 2. 3/8" Foam Backer Rod | 9. Insulated Glass | 17. Foam Sill Filler | 25. Interior Jamb Liner |
| 3. Connecting Barb | 10. Bottom Rail Cladding | 18. Sill Cover, V931 | 26. Jamb Filler |
| 4. Head Jamb | 11. Sash Cladding Connector | 19. Sill Liner, W8589 | 27. Stile |
| 5. Head Jamb Cladding | 12. Bottom Rail Weather strip,
V937 | 20. Sill Filler, W8591 | 28. Stile Cladding |
| 6. Top Rail Cladding | 13. Sill Cladding | 21. Bottom Rail | 29. Interior Sash Stop, W3111 |
| 7. Head Jamb Part Stop,
W8969 | 14. Sill Nailing Fin | 22. Jamb Cladding | 30. Frame Weather strip,
V2510 |
| | 15. Sill Bracket | 23. Jamb Nailing Fin | |

NOTE: Not to scale; specifications subject to change without notice.

When ordering replacement parts for Ultimate Double Hung and Single Hung Magnum specify:

1. Order number
2. type of unit;
3. part number;
4. description.

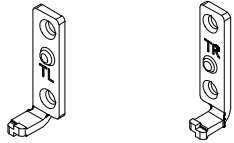
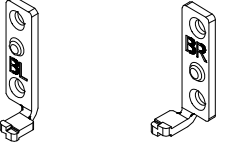

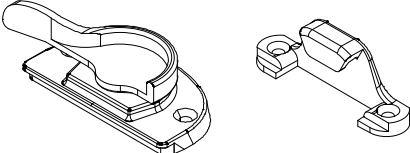
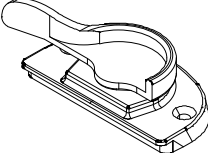
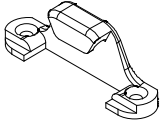
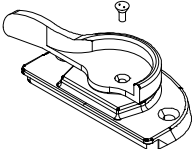
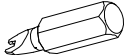
ILLUSTRATION NOT TO SCALE	DESCRIPTION	OPER/ COLOR	PART NO.
 <p>Left Hand Right Hand</p>	<p>Top Sash Pivot Pin <i>Note: Handing viewed from exterior.</i></p>	<p>RH LH</p>	<p>10500562 10500563</p>
 <p>Left Hand Right Hand</p>	<p>Bottom Sash Pivot Pin <i>Note: Handing viewed from exterior.</i></p>	<p>RH LH</p>	<p>10500564 10500565</p>
	<p>#7 x 1 1/4" Phillips Flat Head <i>Self Tapping Screw for Sash Pivot Pins</i></p>		<p>11807113</p>
	<p>Sash Lock and Keeper, Complete <i>Includes:</i> 1 - Sash lock 1 - Keeper 2 - #7 x 7/8" Phillips flat head screws 2 - #7 x 1 1/4" Phillips flat head screws</p>	<p>WH BZ TP</p>	<p>11860985 11860986 11860987</p>
	<p>Sash Lock <i>Includes:</i> 1 - Sash lock 2 - #7 x 7/8" Phillips flat head screws WH-10840019 AB-11800788 BZ-11800779 SC-11800789 TP-11800786 ORBZ-11800794 BS-11800787 SN-11800796</p>	<p>BZ WH TP BS SC AB ORBZ SN</p>	<p>10500802 10500804 10500806 10500808 10500810 10500814 10500816 10500818</p>
	<p>Lock Keeper Kit For Ultimate Double Hung Magnum <i>Includes:</i> 1 - Keeper (10500676) 2 - #7 x 1 1/4" Phillips flat head screws WH-11807115 AB-11807126 BZ-11807118 SC-11807127 TP-11807122 ORBZ-11807132 BS-11807120 SN-11807133</p>	<p>WH BZ TP BS AB SC ORBZ SN</p>	<p>11862500 11862501 11862502 11862503 11862504 11862505 11862506 11862507</p>
	<p>Custodial Lock <i>Includes:</i> 1 - Sash lock 1 - Tamper resistant screw 2 - #7 x 7/8" Phillips flat head screws WH-10840019 BZ-11800779 TP-11800786</p>	<p>WH BZ TP</p>	<p>10500711 10500710 10500712</p>
	<p>Tool Bit - Tamper Resistant Screw For Custodial Lock</p>		<p>10500543</p>

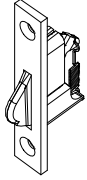
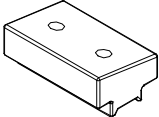
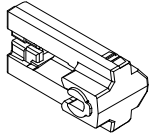
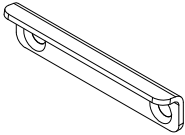
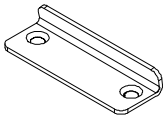
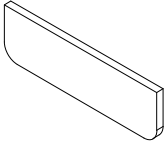
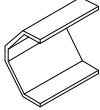
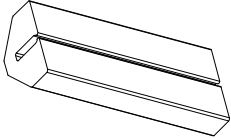
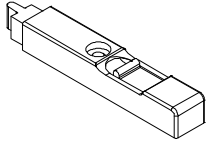
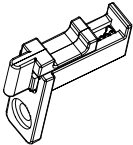
ILLUSTRATION NOT TO SCALE	DESCRIPTION	COLOR	PART NO.
	<p>End Plate Assembly Wood and Clad <i>Includes:</i> 1 - Tilt latch assembly 2 - #6x5/8" Phillips flathead wood screws (11800519)</p>	<p>BG BK (over mold blade)</p>	<p>10500600 10500615</p>
	<p>Mulling Plug Clad Only <i>Includes:</i> 1 - Mulling plug 2 - #8 x 1 1/2" Flat head stainless steel screws</p>		<p>10500537</p>
	<p>Clutch Assembly</p>		<p>10500568</p>
	<p>Sill Bracket For Operating Units <i>Includes:</i> 1 - Sill bracket 2 - #7 x 3/4" Flat head stainless steel screws</p>	<p>WH BG</p>	<p>11841102 11841101</p>
	<p>Sill Bracket For Transom and Picture Units <i>Includes:</i> 1 - Sill bracket 2 - #7 x 7/8" Flathead stainless steel screws</p>		<p>10500526</p>
	<p>Foam Gasket, Header, Jamb Carrier</p>	<p>BG</p>	<p>10500408</p>
	<p>Top Sash Stop, Vinyl V1432, 60" (1524)</p>	<p>BG WH</p>	<p>15354060 15354160</p>
	<p>Sash Bumper V1391</p>		<p>11860430</p>
	<p>Top Sash Tilt Latch Assembly, Wood <i>Includes:</i> 1 - Tilt latch assembly 1 - #7x1 1/4" Phillips flathead wood screws</p>	<p>BG</p>	<p>10500555</p>
	<p>Top Sash Tilt Latch Assembly, Clad <i>Includes:</i> 1 - Tilt latch assembly 1 - #7x1 1/4" Phillips pan head wood screws (11807141)</p>	<p>BG</p>	<p>10500561</p>

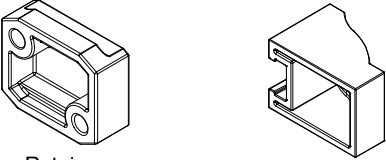
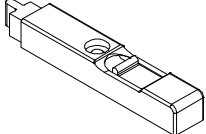
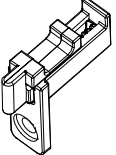
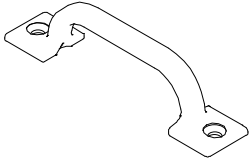
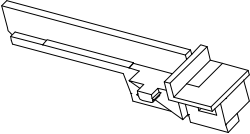
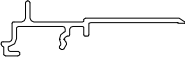
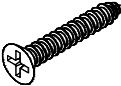
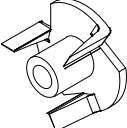
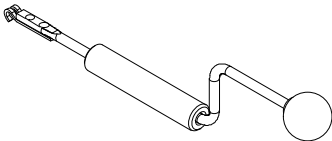
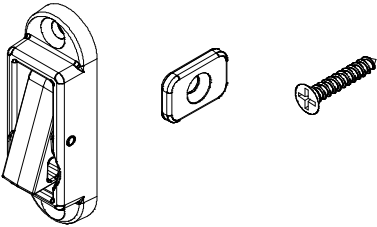
ILLUSTRATION NOT TO SCALE	DESCRIPTION	OPER./ COLOR	PART NO.
 <p>Retainer Ogee Lug</p>	<p>Ogee Lug Kit (Wood Only) Includes: 2 - Ogee Lugs - 10500673 2 - Retainers - 10500672 2 - #7 x 1 1/4" Panhead screws (11807119)</p>		11894145
	<p>Top Sash Tilt Latch Assembly, Wood Includes: 1 - Tilt latch assembly 1 - #7x1 1/4" Phillips flathead wood screws</p>	BG	10500555
	<p>Top Sash Tilt Latch Assembly, Clad Includes: 1 - Tilt latch assembly 1 - #7x1 1/4" Phillips pan head wood screws (11807141)</p>	BG	10500561
	<p>Sash Lift Note: Screws are included with part numbers listed on right. 1 - Sash lift 2 - #8 x 1" Slotted ovalhead sheet metal screws Part number listed below are for screws only. WH-11800887 AB-11800890 BZ-11800888 SC-11800891 TP -11800886 ORBZ-11800893 BS-11800889 SN-11800894</p>	TP BZ WH BS AB SC SN ORBZ	10500598 10500557 10500556 10500558 10500597 10500596 10500602 10500601
	<p>Sill Liner End Plug</p>	LH (Black) RH (Natural)	11867836 11867837
	<p>Single Hung Jamb Filler A1413, 150"</p>	BN PB BZ EG SW	18628198 18628298 18628398 18628498 18628598
	<p>#8 x 1" Screw for Jamb Liner</p>		11800540
	<p>T Nut and Screws (package) Includes: 4 - T-nuts (05080250) 4 - #8 x 1 1/8" machine screws(11800657)</p>		05570911

ILLUSTRATION NOT TO SCALE	DESCRIPTION	COLOR	PART NO.
	Balance Tube Tensioning Tool		05570910
	Window Opening Control Device Kit <i>Includes:</i> 2 - Control Devices 2 - Strike Plates 6 - Color Match Screws, #7x7/8" (22)	WH BZ BS SC PC AB TP ORBZ SN	11850640 11850641 11850642 11850643 11850644 11850645 11850646 11850647 11850648

ULTIMATE DOUBLE HUNG MAGNUM AND ULTIMATE DOUBLE HUNG MAGNUM ROUND TOP

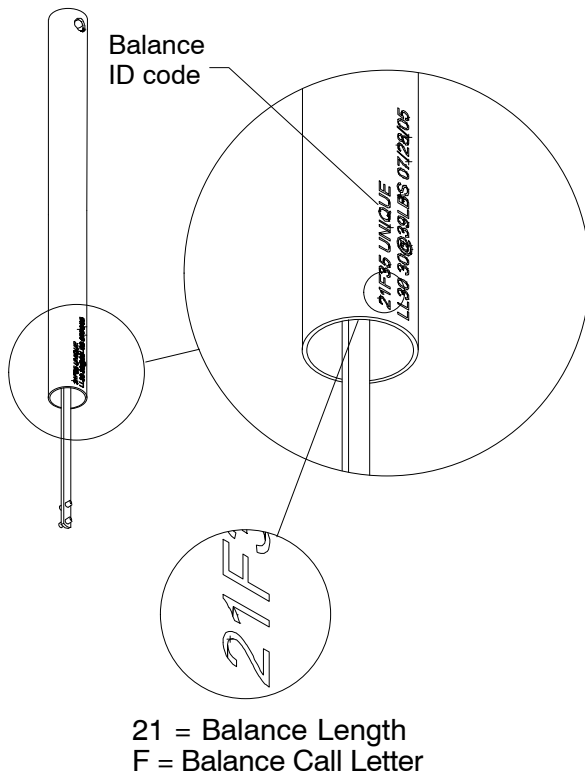
When ordering replacement balance tubes please specify the following information:

1. Provide original order number if available
2. Provide part number*. The part number can be determined from the chart provided below, which is based on the balance ID code.
 NOTE: Information is imprinted on tube. (see illustration)
3. Specify top or bottom sash;
4. Specify quantity. Do **NOT** specify as *pairs* or *sets*. If one tube is needed, specify: quantity of 1. If four tubes are needed, specify a quantity of 4. Part numbers listed below are for one balance only.

* In some applications, a part number may not be available. In that case, please provide the ID code.

NOTE: Balance tube replacement can be a difficult process. Please consult the following service instructions: Sash Removal and Replacement – UDHM; Balance Tube and Jamb Liner – UDHM

NOTE: The Clutch needs to be ordered separately.
 Converting standard travel to full travel balance tubes in the field is not recommended on mulled assemblies.



		Balance Length					
		8"	16"	21"	29"	39"	50"
Balance Call Letter	A	10700108	10700116	10700121	10700129		
	B	10700208	10700216	10700221	10700229		
	C	10700308	10700316	10700321	10700329	10700339	10700350
	D	10700408	10700416	10700421	10700429	10700439	10700450
	E	10700508	10700516	10700521	10700529	10700539	10700550
	F	10700608	10700616	10700621	10700629	10700639	10700650
	G	10700708	10700716	10700721	10700729	10700739	10700750
	H	10700808	10700816	10700821	10700829	10700839	10700850
	I	10700908	10700916	10700921	10700929	10700939	10700950
	J		10701016	10701021	10701029	10701039	10701050
	K			10701121	10701129	10701139	10701150
	L			10701221	10701229	10701239	10701250
	M			10701321	10701329	10701339	10701350
	N			10701421	10701429	10701439	10701450
	O			10701521	10701529	10701539	10701550
	P			10701621	10701629	10701639	10701650
	Q			10701721		10701739	10701750
	R			10701821		10701839	10701850
	S			10701921		10701939	10701950
	T			10702021		10702039	10702050
U			10702121			10702150	
V			10702221			10702250	
W			10702321			10702350	
X			10702421			10702450	

JAMB CARRIERS

ORDERING REPLACEMENT JAMB CARRIERS

When ordering jamb carriers for UDHM units, please provide the following information:

1. Provide original order number
2. Specify color (beige or white)
3. Specify left, right or pair as viewed from the exterior

Replacement vinyl jamb carriers will be cut to fit according to the original order number with holes punched in the proper locations.

Balance tubes, clad/wood fillers and weather strips are not included with the above. If needed order:

For Clad Unit:

- Top Sash – Clad Jamb filler (A1388)
- Lower Jamb Hardware Weather Strip (V1419), Interior Wood Jamb Filler (W8878)

For Wood Unit:

- Top Sash – Exterior Jamb Filler (W8927)
- Lower Jamb Hardware Weather Strip (V1419), Interior Wood Jamb Filler (W8878)

Jamb carrier replacement can be a difficult process. Please consult the following service instructions: [Sash Removal and Replacement](#) – UDHM; [Balance Tube and Jamb Liner](#) – UDHM, available at marvin.com or contact your Marvin representative.

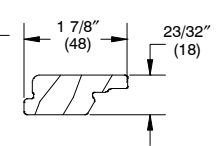
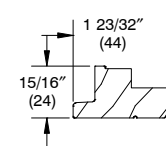
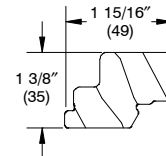
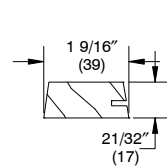
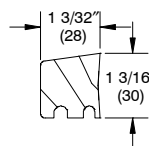
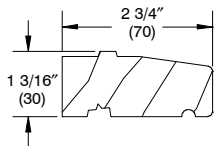
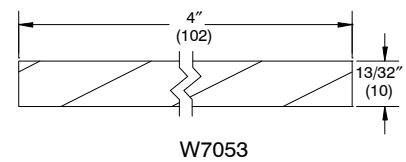
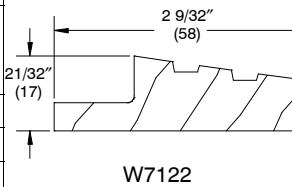
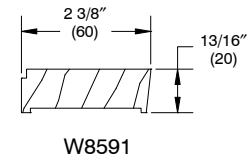
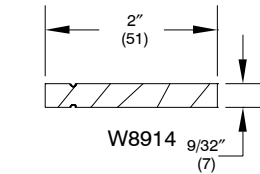
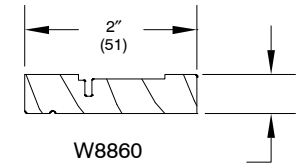
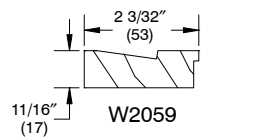
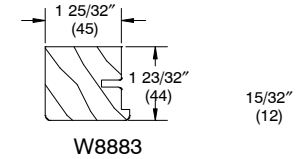
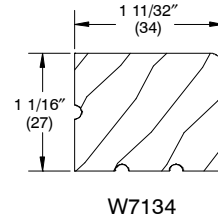
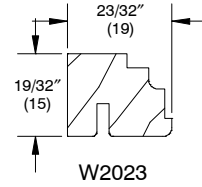
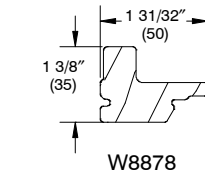
NOTE: Jamb Hardware Assemblies Complete are not available for Ultimate Double Hung Magnum units. Balances and jamb carriers must be ordered separately.

**CURRENT REPLACEMENT PARTS FOR
 ULTIMATE DOUBLE HUNG MAGNUM**

To order replacement parts specify:

1. profile number
2. size of unit
3. length
4. clad color

Replacement Wood Parts		
Part	Wood	Clad
Interior Jamb Filler	W8878	W8878
Interior Sash Stop – Pic/Transom	W7134	–
Jamb Block – Picture	W2023	
2" Jamb Extension	W2059	W2059
Header Jamb Parting Stop	W8883	W8883
Sill Liner	W8914	W8860
Sill Liner – Picture	W9702	W8991
Sill Filler – Transom	W7122	W8591
Header Jamb to Sill Filler – Horizontal Mullion	W7053	W7053
Subsill	W2134	
Sill Nosing	W2139	
Jamb Blind Stop	W8950	
Head Jamb Exterior Filler	W7128	
Jamb Exterior Filler (Upper)	W8879	
Jamb Exterior Filler (Lower)	W8927	
Exterior Head Jamb Filler – Picture/Transom	W2175	
Exterior Jamb Filler – Picture/Transom	W2177	
Stool (field applied)	W7051	W7051
	72" 31310721	31310721
	144" 31310720	31310720
Single Hung Filler	W9004	
Single Limiter	W9009	W9009
Top Blind Stop	–	W2125



W2134

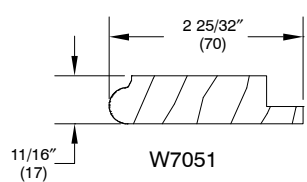
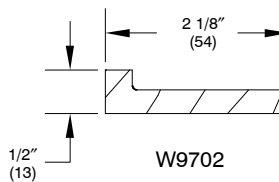
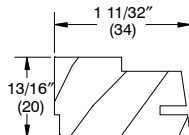
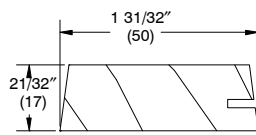
W2139

W7128

W8927

W8950

W8879

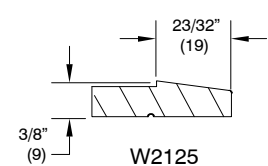
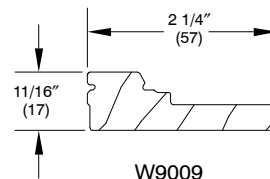
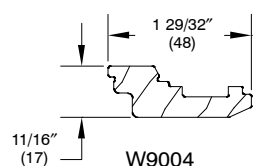
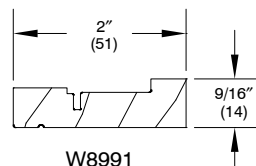


W2175

W2177

W9702

W7051



W8991

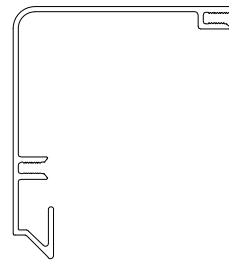
W9004

W9009

W2125

CURRENT REPLACEMENT PARTS FOR ULTIMATE DOUBLE HUNG MAGNUM

Aluminum Replacement Parts	
Part	Clad (profile #)
Top Sash Check Rail	A183
Bottom Rail – Picture and Operator	A190
Top Rail, Stile – Picture, Transom, Operator	A193
Check Rail – Operator Bottom	A194
Aluminum Jamb Filler – Operator	A1388
Bottom Rail – Transom	A207
Wood Wrap Aluminum Interior Stop	A1402
Balance Cover <i>Specify Top or Bottom, White or Beige</i>	A1387
Single Hung Jamb Filler	A1413

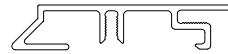


A183

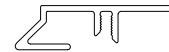


A190

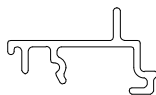
Vinyl Replacement Parts		
Part	Clad	Wood
Sash Retainer – Picture and Transom	V130	V130
Connecting Barb – Picture and Transom	V803	V803
Contact Strip	V1500	
Sash Clad Connector	V946	
Bottom Sash Check Rail Connector	V929	



A193



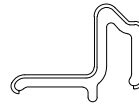
A194



A1388



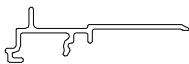
A1387



A1402



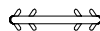
A207



A1413



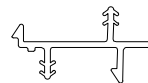
V130



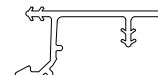
V803



V1500



V946



V929

SASH REPLACEMENT**ORDERING REPLACEMENT SASH FOR CLAD ULTIMATE DOUBLE HUNG MAGNUM**

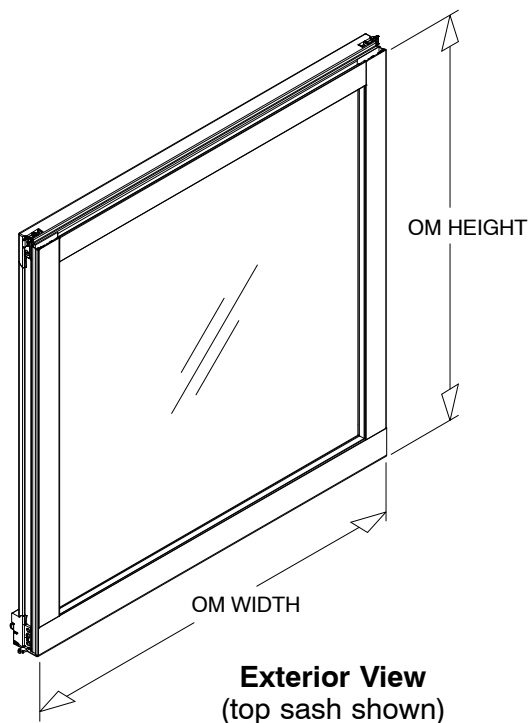
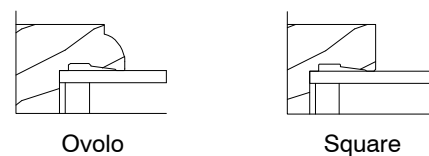
When ordering replacement sash specify:

1. sash to replace – top, bottom or pair;
2. size;
 - a. top or bottom (OM of sash)
 - b. pair (sash opening – indicate if unequal sash height)
3. glazing;
4. clad color and interior finish;
5. order number.
6. special wood species (if applicable)
7. sticking (see illustration).
 - a. ovolo
 - b. square

ORDERING REPLACEMENT PICTURE SASH FOR CLAD ULTIMATE DOUBLE HUNG MAGNUM

When ordering replacement picture sash specify:

1. size (OM of sash);
2. glazing;
3. clad color and interior finish;
4. order number.
5. special wood species.
6. sticking (see illustration).
 - a. ovolo
 - b. square

**Sticking Profiles**

SASH REPLACEMENT**ORDERING REPLACEMENT SASH FOR WOOD ULTIMATE DOUBLE HUNG MAGNUM**

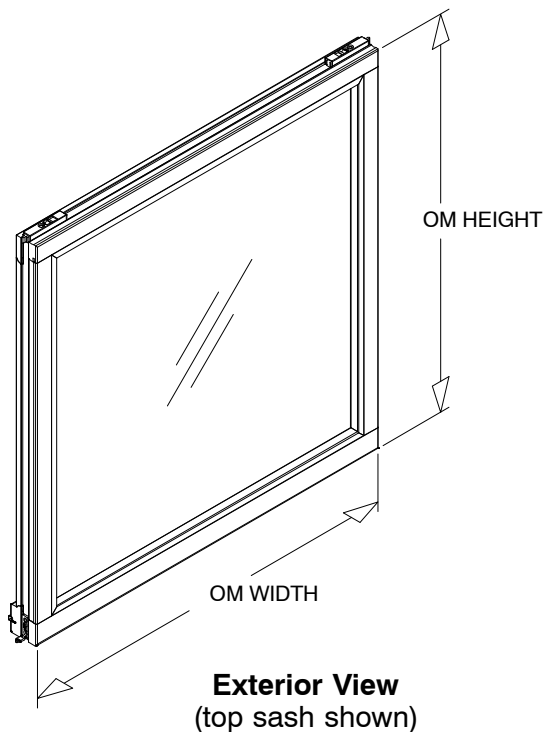
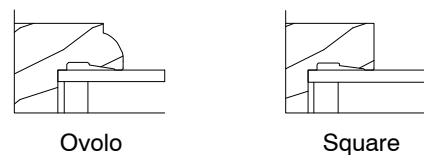
When ordering replacement sash specify:

1. which sash is being replaced – top, bottom or pair;
2. size;
 - a. top or bottom (OM of sash)
 - b. pair (sash opening – indicate if unequal sash height)
3. glazing;
4. order number.
5. special wood species (if applicable).
6. sticking (see illustration).
 - a. ovolo
 - b. square

ORDERING REPLACEMENT PICTURE SASH FOR WOOD ULTIMATE DOUBLE HUNG MAGNUM

When ordering replacement picture sash specify:

1. size (OM of sash);
2. glazing;
3. order number.
4. special wood species.
5. sticking (see illustration).
 - a. ovolo
 - b. square

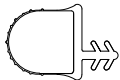
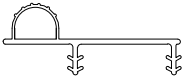

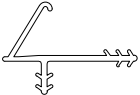
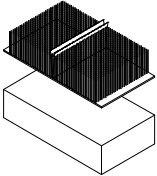
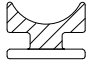




**Sticking Profiles**

WEATHER STRIP

ORDERING REPLACEMENT WEATHER STRIP FOR ULTIMATE DOUBLE HUNG AND SINGLE HUNG MAGNUM

When ordering replacement weather strip specify:

1. quantity;
2. color;
3. part number;
4. description.

ILLUSTRATION (NOT TO SCALE)	DESCRIPTION	LENGTH	PART NUMBER
	Frame Weather Strip V1419 Color: BG WH	150" (3810) 150" (3810)	15353499 15360499
	Top Check Rail Weather Strip, Clad V920 Color: BG	100" (2540)	15350399
	Top Check Rail Weather Strip, Wood – Operator and Transom V031 Color: BG	Specify length	15351799
	Head Jamb Parting Stop V945 Color: BG	100" (2540)	15350699
	Check Rail Plug and Pile Weather Strip <i>Includes:</i> 1 – Check Rail Pile 1 – Foam Check Rail Plug Color: BG WH		10500420 10500421
	Filler Weather Strip –Picture, Clad only V196 Color: Black	Specify length	15351599
	Picture/Transom Top Rail and Stile Sash Weather Strip – Clad only V1297	Specify length	15351499
	Bottom Rail or Frame Weather Strip, Clad V937	100" (2540)	15350799
	Bottom Rail or Frame Weather Strip, Wood V147	150" (3810)	15351699
	Frame Weather Strip – Picture and Transom Color: Gray	25' Roll	11406223

TO ORDER FULL AND HALF SCREENS FOR ULTIMATE MAGNUM AND IZ3 UNITS

Full screens are standard with aluminum surround and Hi-Transparency fiberglass mesh. Aluminum mesh is available as an option in black, charcoal, bright aluminum or bright bronze. Determine the outside measurement of the existing screen. Surrounds are available in all standard and select colors.

When ordering a replacement screen specify:

1. size; – Obtain the OM of the screen, from the exiting unit or determine the size of the screen by using the conversion charts below. The daylight opening is the measurement of the visible glass.
2. surround color;
3. mesh type (if other than standard).

NOTE: All screens feature plunger type mounting system.

FULL AND HALF SCREEN CONVERSIONS FOR ULTIMATE MAGNUM AND IZ3 UNITS

Full Screen Clad Ultimate Magnum

Daylight Opening of one sash (if equal height) to OM of screen.

Daylight Width + 4 3/8" = OM Width of Screen
Daylight Height x 2 + 8 21/32" = OM Height of Screen

Full Screen Wood Ultimate Magnum

Daylight Opening of one sash (if equal height) to OM of screen.

Daylight Width + 4 15/16" = OM Width of Screen
Daylight Height x 2 + 9 1/4" = OM Height of Screen

Half Screen Clad Ultimate Magnum

Daylight Opening to OM of Half Screen

Daylight Width + 4 3/8" = OM Width of Screen
Daylight Height + 5 5/16" = OM Height of Screen

Half Screen Wood Ultimate Magnum

Daylight Opening to OM of Half Screen

Daylight Width + 4 15/16" = OM Width of Screen
Daylight Height + 6 1/16" = OM Height of Screen

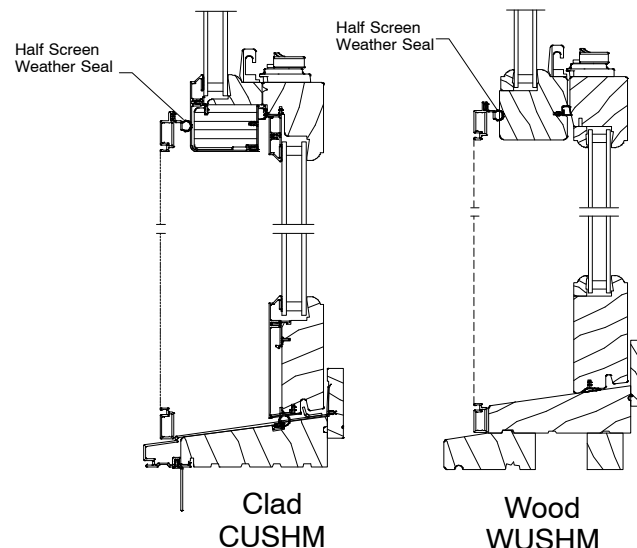
WUDH Magnum IZ3 Full and Half Size

Daylight Opening to OM of Full Screen

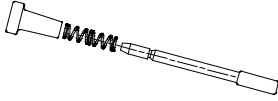
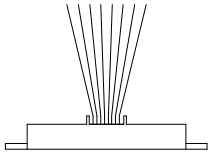
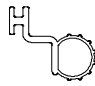
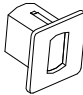
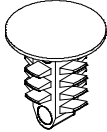
Daylight Width + 6 9/16" = OM Width of Screen
Daylight Height x 2 + 10 1/16" = OM Height of Screen

Daylight Opening to OM of Half Screen

Daylight Width + 6 9/16" = OM Width of Screen
Daylight Height + 6 3/32" = OM Height of Screen



When ordering replacement parts specify quantity and part number.

ILLUSTRATION NOT TO SCALE	DESCRIPTION	COLOR	PART NO.
	<p>Plunger and Spring Assembly UDH, USH Used 2/2012 to present Includes: 1 - Plunger bolt (metal) 1 - Plunger bolt cap (black) 1 - Plunger bolt spring</p>	Black	10500706
	<p>Sash Pile Weather Strip V2173 Specify lineal foot</p>	Gray	15607501
	<p>1/2 Screen Weather Strip V2113 Specify lineal foot</p>	BG	15361399
	<p>Screen Mounting Kit Wood Units WUDH, WUSH Includes: 6 - Screen Mounting Receptacles (11867851) 1 - Instruction Sheet</p>	Clear	11851128
	<p>Weep Bump Clad Units CUDH, CUSH</p>	Black	10500095

ENERGY PANELS**ORDERING REPLACEMENT ENERGY PANELS FOR
WOOD ULTIMATE DOUBLE HUNG MAGNUM**

If you are replacing an existing energy panel, determine the outside measurement of the existing energy panel. Find the sizes that correspond to the width and height indicated on the following chart. Energy panels are available for Wood Ultimate Double Hung Magnum with bronze or stone white aluminum surrounds. Replacement parts and turn buttons are available in the Misc Moulding Chapter.

When ordering energy panels specify:

1. size; If there is no existing EP from which to obtain the OM of the panel, determine the size of the EP by using the conversion chart below. The daylight opening is the measurement of the visible glass.
2. color of surround;
3. glass type.

**Wood Ultimate Double Hung Magnum
and Single Hung Magnum****Daylight Opening to OM of EP**

Daylight Width + 1 1/8" = OM Width of EP

Daylight Height + 1 1/8" = OM Height of EP

NOTE: OM should not include lip.

ORDERING REPLACEMENT COMBINATIONS AND/OR INSERTS FOR CLAD OR WOOD ULTIMATE DOUBLE HUNG MAGNUM

Combination units are composed of two glass panels and a screen insert. One of the storm panels slides up for self storage when the screen is in use.

When ordering replacement combinations and/or inserts determine the outside measurement of the existing items or use the following conversions if none exists. Use the following charts based on daylight openings of the primary window sash (clad ultimate double hung sash) to determine combination size and component sizes. Aluminum surround on combinations are available in bronze, stone white, brown, pebble gray and evergreen. Charcoal aluminum wire screen is standard. Fiberglass mesh screen is available as an option.

When ordering replacement combinations specify:

1. size; – Measure the existing unit for OM of the combination or determine the size of the combination by using the conversion charts below. The daylight opening is the measurement of the clad ultimate double hung sash visible glass (provide measurements of both sash if unequal height).
2. color;
3. mesh type (if other than standard);
4. glass type.

Clad Ultimate Double Hung Magnum Combination Units.**Clad Ultimate Double Hung Magnum****Daylight Opening to OM of Combination**

Daylight Width + 4 1/2" = OM Width of Combination

Daylight Height x 2+8 23/32" = OM Height of Combination

Wood Ultimate Double Hung Magnum Combination Units.**Wood Ultimate Double Hung Magnum****Daylight Opening to OM of Combination**

Daylight Width + 4 15/16" = OM Width of Combination

Daylight Height x 2+9 7/16" = OM Height of Combination

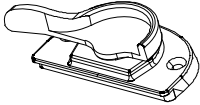
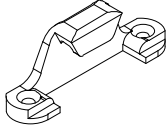
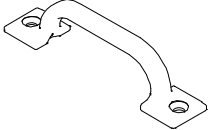
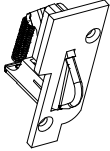
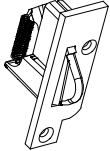
COMBINATION PARTS

Combination units are composed of two glass panels and a screen insert. One of the storm panels slides up for self storage when the screen is in use.

When ordering replacement parts specify part number and quantity.

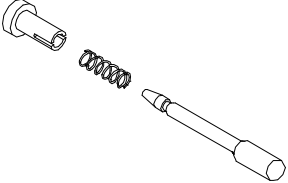
ILLUSTRATION NOT TO SCALE	DESCRIPTION	COLOR	PART NO.
	<p>Knob, Bolt and Spring Assembly Includes: 2 – Aluminum knobs 2 – Combination bolt and spring assemblies</p>		11900515
	<p>Knurl Knob For bolt and spring assembly Includes: 2 – Knobs</p>	Aluminum SS	11101705 03050111
	<p>Bolt For bolt and spring assembly</p>	Aluminum SS	11101700 03050112
<p>LH RH </p>	<p>Turn Latch M062 Wood only</p>	LH Mill Finish RH Mill Finish	11860411 11860311
	<p>Hook, Long Includes: 1 – Hook 2 – #6x5/16" truss head screws.</p>	Mill Finish	11040100
	<p>Pad, Hook M601 3/8"x1/2"x1 5/16"</p>	WH	10500201
	<p>Strike, Stationary Panel M600 Includes: 1 – Strike 2 – #6x5/16" truss head screws</p>	Mill Finish	11040365
	<p>Dual Seal Weather strip, Center Rail V116 – 84" (2134)</p>	WH	15828400
<p>To order track specify: 1 – profile 2 – OM of combination 3 – left, right, top or bottom 4 – color</p>	<p>Operator Panel Track V057</p>	Black White	15222200 15222100
	<p>Air Vent (Clad Only)</p>	BK WH	11867856 11867857
	<p>Installation Screw (Clad Only) #8x3/4 Panhead</p>	SW BN PB BZ EG	02058050 11800836 11800837 11800838 11800839

OBSOLETE PARTS

ILLUSTRATION NOT TO SCALE	DESCRIPTION	COLOR	PART NO.
	<p>Sash Lock Includes: 1 - Sash lock 2 - #7x7/8" Phillips FH wood screws PC 11800790</p>	PC	10500812
	<p>Keeper Includes: 1 - Keeper 2 - #7x7/8" Phillips FH wood screws PC 11807128</p>	PC	10500795
	<p>Sash Lift Includes: 1 - Sash lift 2 - #8 x 1" Slotted OH sheet metal screws PC 11800892</p>	PC	10500595
	<p>Clad End Plate Assembly Includes: 1 - Pivot Latch End Plate 1 - Multi-Point Locking Blade 1 - Extension Spring</p>	LH RH	10500688 10500689
	<p>Wood End Plate Assembly Includes: 1 - Pivot Latch End Plate 1 - Multi-Point Locking Blade 1 - Extension Spring</p>	LH RH	10500686 10500687

ULTIMATE DOUBLE HUNG MAGNUM AND ULTIMATE SINGLE HUNG MAGNUM
OBSOLETE SCREEN PARTS PRE 02/2012

When ordering replacement parts specify quantity and part number.

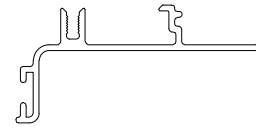
ILLUSTRATION <i>NOT TO SCALE</i>	DESCRIPTION	COLOR	PART NO.
	Plunger and Spring Assembly UDHM, UDHMRT, MDH Used pre 02/2012 <i>Includes:</i> 1 - Plunger bolt (metal) 1 - Plunger bolt cap (black) 1 - Plunger bolt spring	Black	03070731

OBSOLETE-REPLACEMENT ALUMINUM PARTS

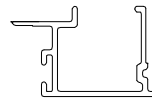
OBSOLETE REPLACEMENT ALUMINUM PARTS FOR CLAD ULTIMATE MAGNUM DOUBLE HUNG UNITS

Please reference the Aluminum Chapter (located online only) for select and standard color part numbers.

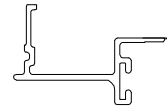
Jamb Filler -CUDHP	A199
Exterior Jamb Filler *(used on 2" sash)	A1229*
Exterior Head Jamb Filler *(used on 2" sash)	A1230*



A199



A1229*



A1230*

TO ORDER REPLACEMENT ALUMINUM PARTS

When ordering replacement aluminum parts specify:

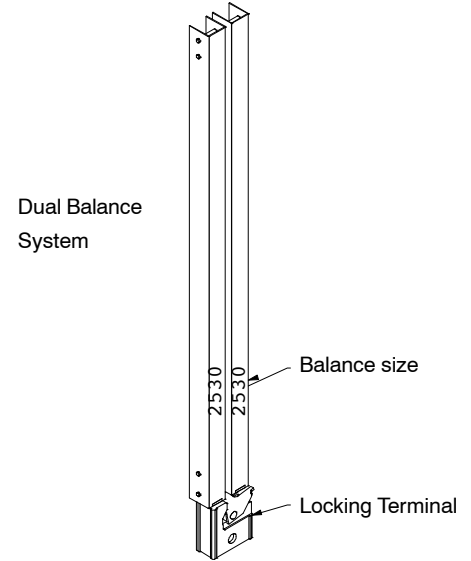
1. type of unit;
2. profile number;
3. color;
4. rough opening or lineal length.

DUAL BALANCE SYSTEMS FOR THE MAGNUM DOUBLE HUNG TILT PAC

Manufacturer numbers are stamped on the balance tube assembly above the locking terminal.

When ordering a replacement dual balance system, specify the following:

1. Original order number if available
2. The balance size (see illustration). Often the two numbers on the tubes are different. Always provide both numbers. For example: 2530/2530 (both numbers the same), 5210/3220 (different numbers)
3. The top or bottom sash;
4. The weight of the sash.
5. The quantity of dual balance systems. Do **NOT** specify as *pairs* or *sets*. If one system is needed, specify: quantity of 1. If four systems are needed, specify a quantity of 4.



NOTE: If an energy panel was installed after the original purchase, a heavier balance may be necessary.

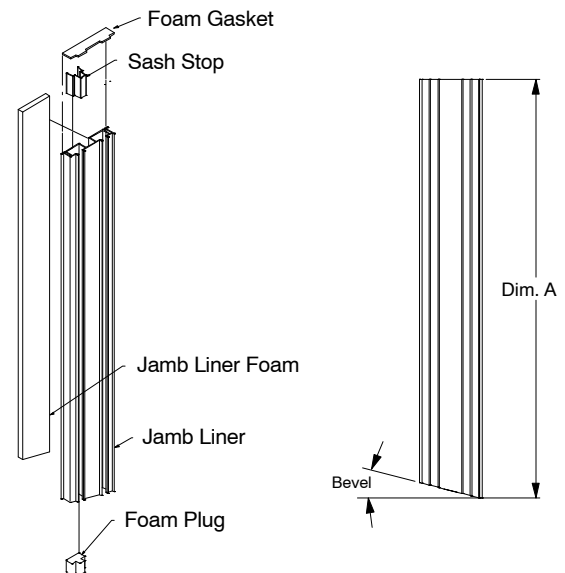
NOTE: S-hooks are provided when dual balance systems are ordered.

JAMB LINERS FOR THE MAGNUM DOUBLE AND SINGLE HUNG TILT PAC

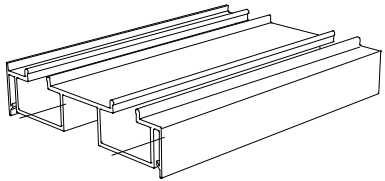
Replacement jamb liners include clip mounted vinyl jamb liners, foam plugs, foam backing, sash stops and foam gaskets.

When ordering replacement jamb liners, specify the following:

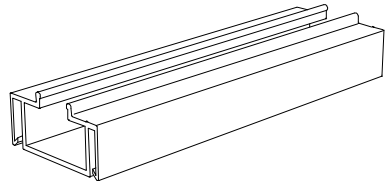
1. Original order number if available
2. The type of Magnum Tilt Pac (double hung or single hung).
3. The length (see dimension A).
4. Specify clip mount.
5. Specify color (white or beige).
6. Provide sill bevel. (Standard bevel is 14°)
7. Specify left, right, or pair (as viewed from exterior).



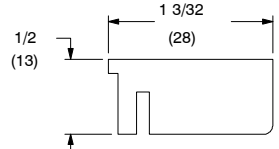
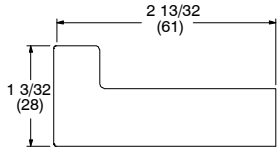
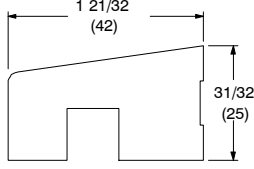

MAGNUM DOUBLE HUNG TILT PAC CLIP MOUNT

ILLUSTRATION NOT TO SCALE	DESCRIPTION	LENGTH	PART NUMBER
	Jamb Liner V482 WH BG	192" (4877)	16215015
		192" (4877)	16210997

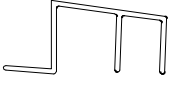
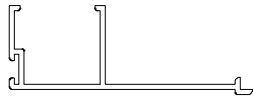

MAGNUM SINGLE HUNG TILT PAC CLIP MOUNT

ILLUSTRATION NOT TO SCALE	DESCRIPTION	LENGTH	PART NUMBER
	Jamb Liner V610 Color: Beige	168" (4267)	16215003
	Jamb Liner V610 Color: White	168" (4267)	16215002

WOOD REPLACEMENT PARTS – MAGNUM DOUBLE AND SINGLE HUNG TILT PAC

ILLUSTRATION NOT TO SCALE	DESCRIPTION	ILLUSTRATION NOT TO SCALE	DESCRIPTION
	Tilt Pac Parting Stop W7170		Sash Opening Filler (WMSH) W7188
	Half Screen Nosing (WMSH) W7178		Stationary Sash Filler (WMSH) W7186

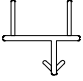

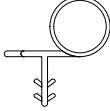

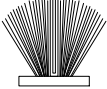
ALUMINUM REPLACEMENT PARTS – MAGNUM DOUBLE AND SINGLE HUNG TILT PAC

ILLUSTRATION NOT TO SCALE	DESCRIPTION	ILLUSTRATION NOT TO SCALE	DESCRIPTION
	Sash Opening Filler (WMSH) A432		Head & Jamb Filler A509
	Stationary Sash Filler Cap A510		

ORDERING REPLACEMENT WEATHER STRIP FOR MAGNUM DOUBLE HUNG UNITS

When ordering replacement weather strip specify:

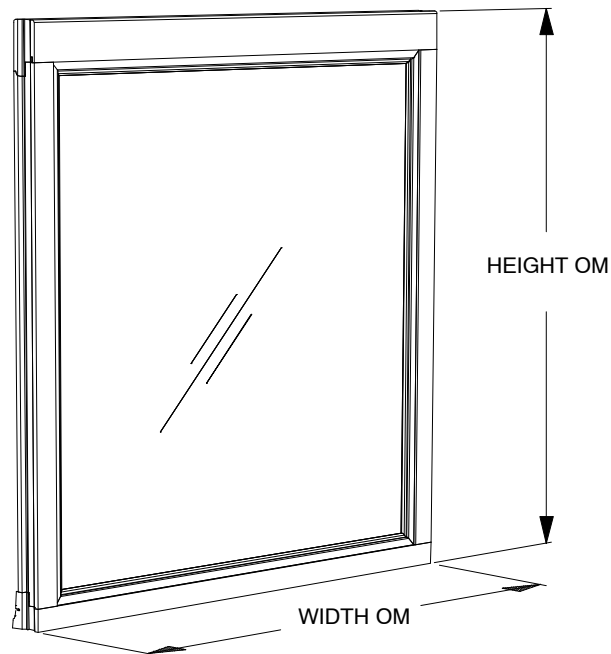
1. quantity;
2. color;
3. part number;
4. description.

ILLUSTRATION <i>NOT TO SCALE</i>	DESCRIPTION	LENGTH	PART NUMBER
	Dual Seal Weather strip, Check Rail V116 Color: White	84" (2134)	15828400
	Hinged Leaf Weather strip, Parting Stop V245 Color: White	84" (2134)	15818400
	Bulb Weather strip, Bottom Rail V192 Color: Beige	84" (2134)	15900058
	Bulb Weather strip, Center Sash Stile V114 Magnum Triple Hung only Color: Beige	Specify length	11107532
	Pile Weather strip, Check Rail M650 5/8" x 1 1/2" x 5/16" Magnum Triple Hung only Color: Beige		15600509

ORDERING REPLACEMENT SASH FOR MAGNUM TILT PAC UNITS

When ordering replacement sash specify:

1. type of unit (wood or clad), (single or double hung)
2. Sash to be replaced – top, bottom, pair;
3. size;
 - a. top or bottom (call number or OM of sash)
 - b. set (call number or sash opening)
4. glazing;
5. finish;
6. sill bevel if other than standard 14° (wood Tilt Pac).



Exterior View
(top sash shown)

When ordering replacement Magnum parts specify type of unit, part number and description.

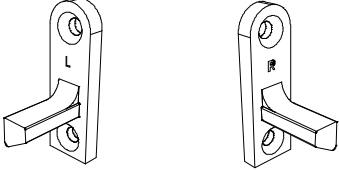
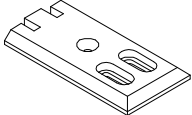
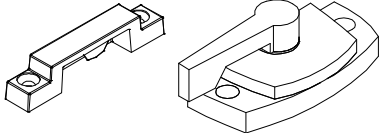
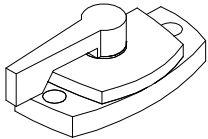
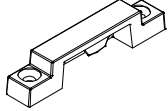
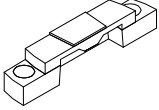
ILLUSTRATION NOT TO SCALE	DESCRIPTION	COLOR	PART NO.
 <p>Left Hand Right Hand</p>	<p>Sash Pivot Includes: 1 – Sash pivot 2 – #10 x 1" Phillips flathead wood screws</p> <p>NOTE: Pivot handing is viewed from the interior</p>	LH RH	11870462 11870463
	<p>Sash Retainer Plate Includes: 1 – Sash retainer plate 3 – #8 x 1" Phillips flathead wood screws</p>	TP BZ WH	11870468 11870464 11870500
	<p>Sash Lock and Keeper, Complete Includes: 1 – Sash lock 1 – Keeper 4 – #7 x 7/8" Phillips flathead wood screws</p> <p style="text-align: center;">Screw Package of 200</p>	TP BZ WH TP BZ WH	11869399 11869395 11869396 11900925 11900920 11900910
	<p>Sash Lock Includes: 1 – Sash lock 2 – #7 x 7/8" Phillips flathead wood screws</p>	TP BZ WH BS AB PC SC ORBZ SN	10818034 10818033 10840026 05600082 05600084 05600086 05600088 05600090 05600092
	<p>Keeper Usage: 10-15-2012 – Present Includes: 1 – Keeper 2 – #7 x 7/8" Phillips flathead wood screws</p>	TP BZ WH BS AB PC SC ORBZ SN	10818052 10818051 10818050 10818053 10818054 10818055 10818056 10818057 10818058
	<p>Keeper – Pre 10-15-2012 Includes: 1 – Keeper 2 – #7 x 7/8" Phillips flathead wood screws</p>	TP BZ WH BS	10818035 10818032 10840012 05600083

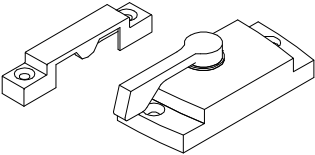
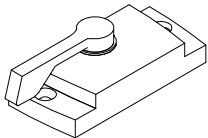
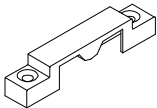
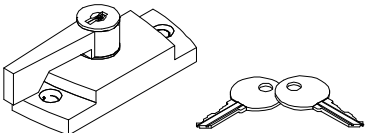
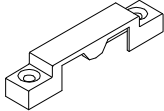
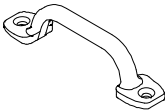

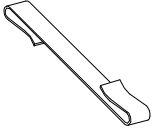
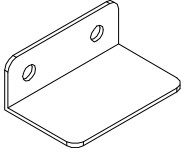
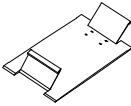
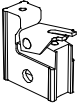
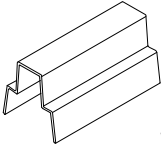
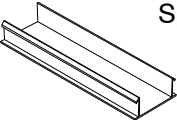
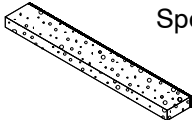
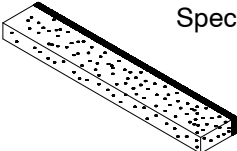
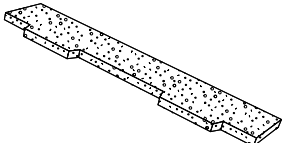
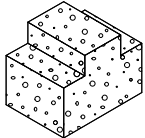
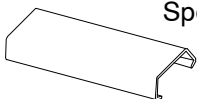
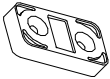
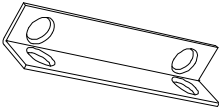
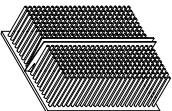
ILLUSTRATION NOT TO SCALE	DESCRIPTION	COLOR	PART NO.
	<p>Historic Sash Lock and Keeper, Complete Includes: 1 - Historical sash lock WH - 10840013 BS - available in package only 1 - Keeper WH - 10840014 BS - available in package only 4 - #6 x 1" Phillips flathead wood screws</p>	<p>WH BS</p>	<p>11869383 05600044</p>
	<p>Historic Sash Lock Includes: 1 - Historical sash lock 2 - #6 x 1" Phillips flathead wood screws</p>	<p>WH</p>	<p>10840013</p>
	<p>Keeper, Historic Includes: 1 - Keeper 2 - #6 x 1" Phillips flathead wood screws</p>	<p>WH</p>	<p>10840014</p>
	<p>Sash Lock, Keyed Includes: 1 - Keyed lock 2 - Keys 2 - #6 x 1" Phillips flathead wood screws</p>	<p>TP BZ WH</p>	<p>05590634 05590632 05590633</p>
	<p>Keeper For keyed sash lock Includes: 1 - Keeper 2 - #6 x 1" Phillips flathead wood screws</p>	<p>TP BZ WH</p>	<p>10817047 10817043 10840014</p>
	<p>Sash Lift Includes: 1 - Sash lift 2 - #8 x 1" Slotted ovalhead screws TP - 11800886 WH - 11800887 BZ - 11800888 BS - 11800889</p>	<p>TP BZ WH BS</p>	<p>10500598 10500557 10500556 10500558</p>
	<p>S-Hook, Short, 1/4" (6) Wide Need 1 per balance or 4 per sash Top sash balance</p>		<p>11870727</p>
	<p>S-Hook, Long, 1/4" (6) Wide Need 1 per balance or 4 per sash Bottom sash balance</p>		<p>11870731</p>
	<p>Top Sash Stay 2 per unit Includes: 1 - Top sash stay 2 - #8 x 1" Phillips flathead wood screws</p>	<p>Mill Finish</p>	<p>11100400</p>
	<p>Installation Clip, Jamb Liner M044 1" x 4 1/4"</p>		<p>11860010</p>
	<p>Locking Terminal</p>		<p>11870460</p>

ILLUSTRATION NOT TO SCALE	DESCRIPTION	COLOR	PART NO.
 <p>When ordering specify:</p> <ol style="list-style-type: none"> 1. length 2. part number 3. color 	<p>Sash Stop, Vinyl V458</p> <p>1 3/4" (44)</p> <p>60" (1524)</p>	<p>WH BG</p> <p>WH BG</p>	<p>11870135 11870134</p> <p>11870998 11870999</p>
 <p>Specify length needed</p>	<p>Hardware Clip, Vinyl V611</p> <p><i>Includes:</i> 1 - Clip 2 - #7 x 3/4" Phillips panhead wood screws</p>	<p>WH</p>	<p>16215004</p>
 <p>Specify length needed</p>	<p>Jamb Liner, Foam M004 With PVC edge 9/16" x 1 7/16"</p>		<p>10500014</p>
 <p>Specify length needed</p>	<p>Jamb Liner, Foam With PVC edge 7/16" x 2 3/4"</p>		<p>10500008</p>
	<p>Foam Gasket M0124</p>	<p>WH</p>	<p>11869514</p>
	<p>Foam Plug (Chimney Block) M0129 1 3/8" x 1" x 1" Located at the bottom of the vinyl jamb liner</p>	<p>WH</p>	<p>10500205</p>
 <p>Specify length needed</p>	<p>Sash Limiter, Top Sash V454</p>	<p>BG WH</p>	<p>11870997 11870996</p>
	<p>Sash Limiter, Bottom Sash M726</p> <p><i>Includes:</i> 1 - Sash limiter 2 - #6 x 5/8" Phillips flathead wood screws</p>	<p>BG</p>	<p>05070431</p>
	<p>Stationary Sash Bracket</p> <p><i>Includes:</i> 1 - Bracket 4 - #7 x 7/8" Phillips flathead wood screws</p>	<p>ZYD</p>	<p>11100300</p>
	<p>Fin Seal Pad</p>		<p>10500223</p>