

TILT-TURN, HOPPER, INSWING CASEMENT AND ROUND TOP TILT-TURN

Table of Contents

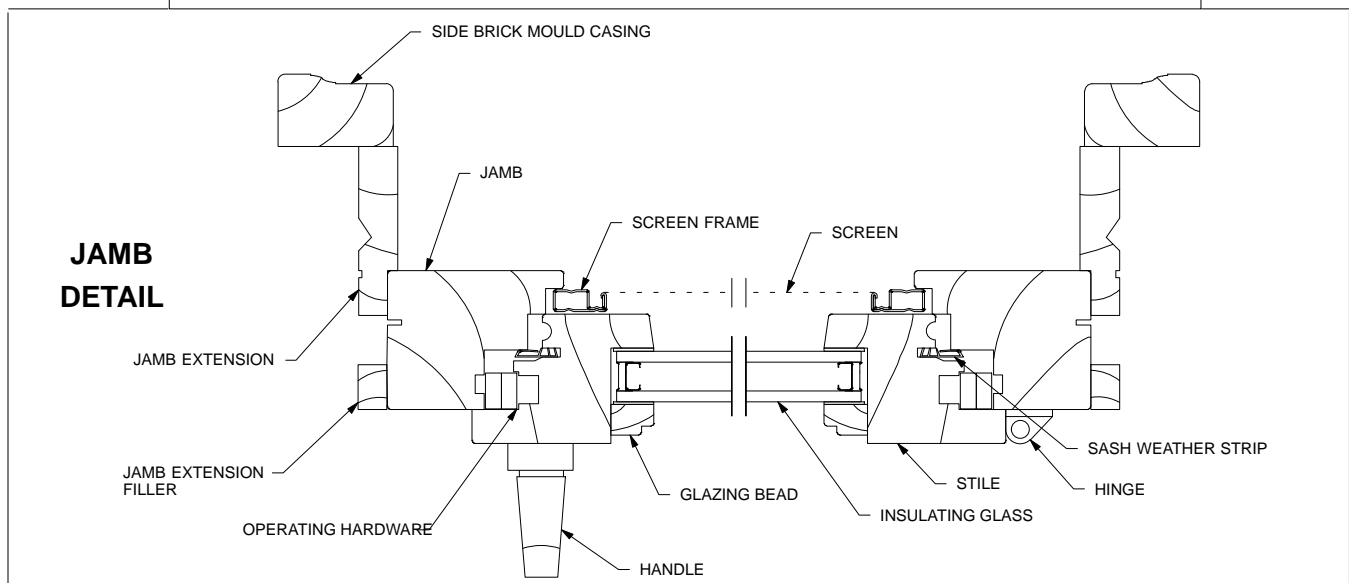
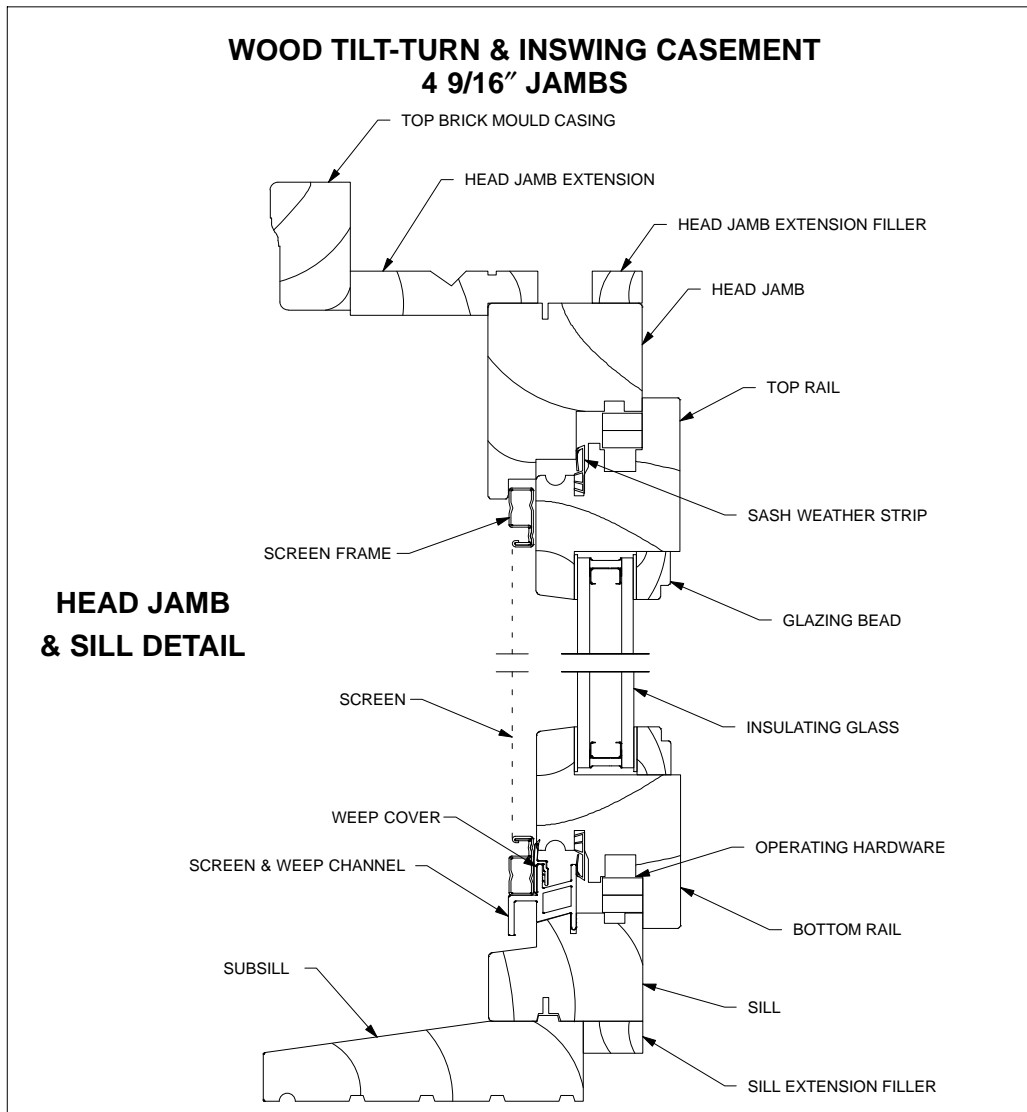
	PAGE
History	2
Part Identification – Wood Tilt-Turn & Inswing Casement – 4 9/16” Jambs	3
Part Identification – Wood Tilt-Turn & Inswing Casement Basic Unit	4
Part Identification – Wood Tilt-Turn Direct Glaze – 4 9/16” Jambs	5
Part Identification – Clad Tilt-Turn & Inswing Casement – 4 9/16” Jambs	6
Part Identification – Clad Tilt-Turn & Inswing Casement Basic Unit	7
Part Identification – Wood Round Top Tilt-Turn & Inswing Casement – 4 9/16” Jambs	8
Parts – Tilt-Turn	9
Parts – Hopper	15
Parts – Inswing Casement	18
Parts – Miscellaneous Tilt-Turn, Hopper, Inswing Casement & Round Top Tilt-Turn	23
Replacement Wood Parts – Tilt-Turn	25
Sash Replacement/Weatherstrip	26
Screens and Screen Parts	27
Interior Energy Panels and Parts	29
Obsolete Parts – Tilt-Turn	30
Obsolete Parts – Hopper	36
Obsolete Parts – Inswing Casement	39
Obsolete Parts – Round Top Tilt-Turn	44
Obsolete Miscellaneous Parts	48
Obsolete Sash Replacement	52

ATTENTION:

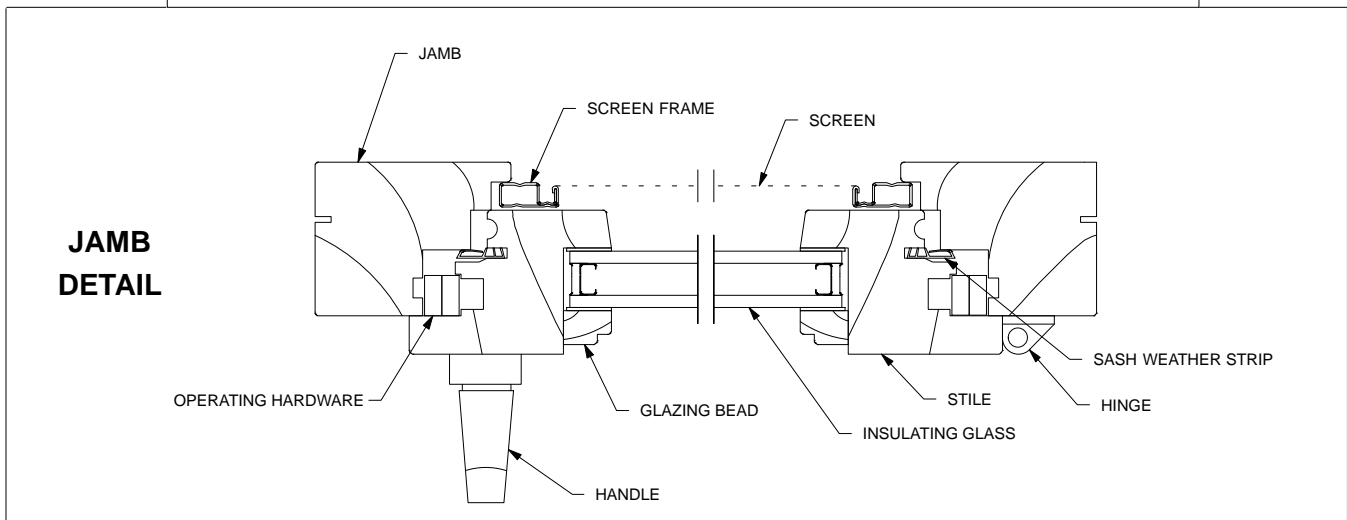
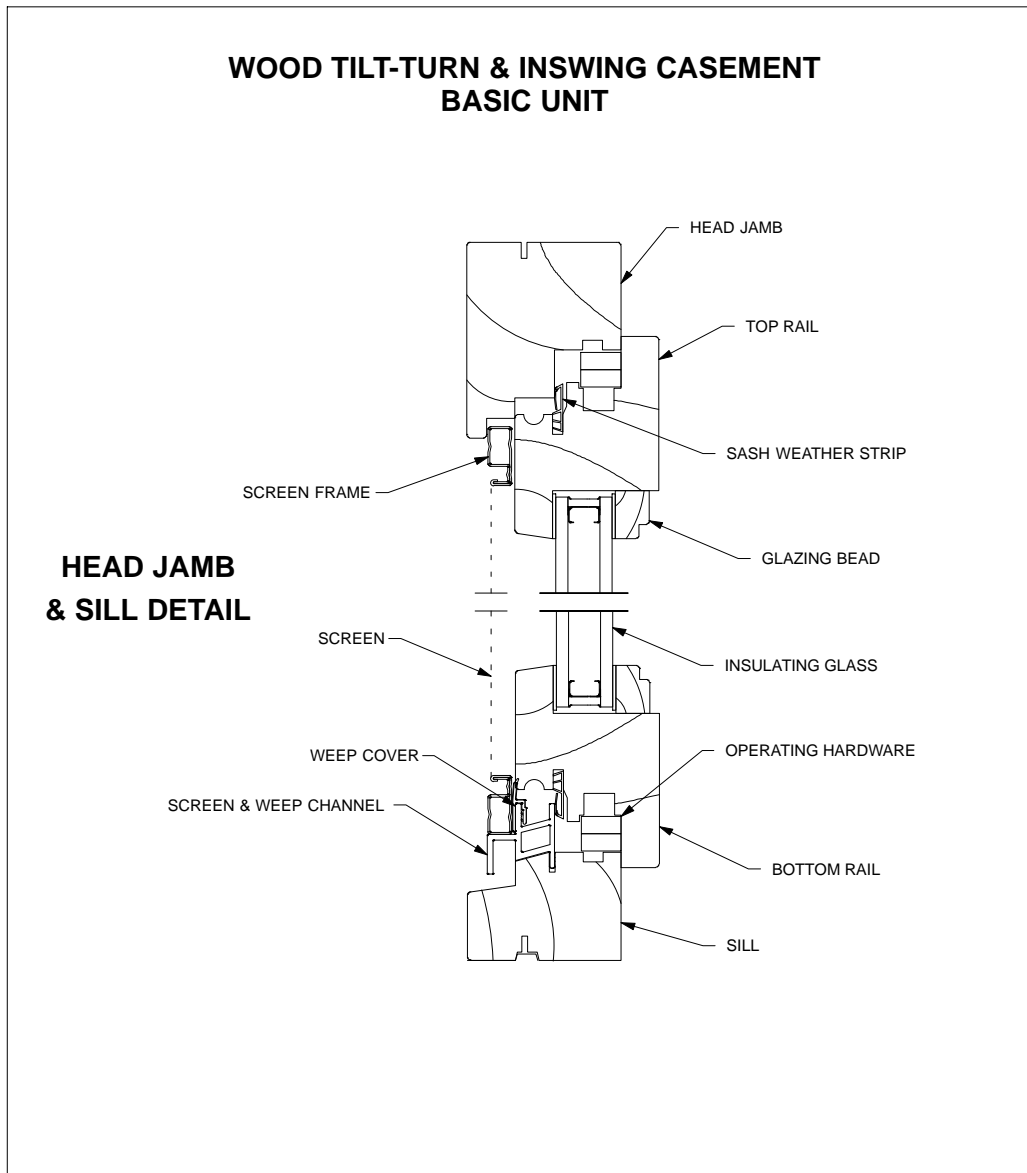
- Specification and technical data are subject to change without notice.
- Numbers listed in parentheses () are metric equivalents in millimeters rounded to the nearest whole number.

HISTORY

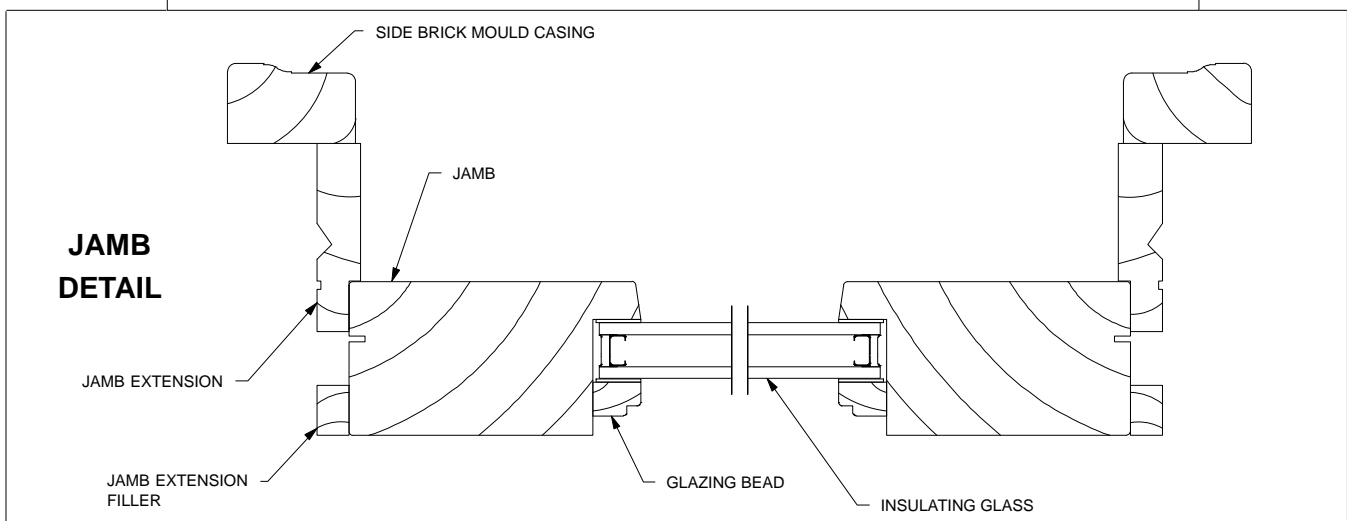
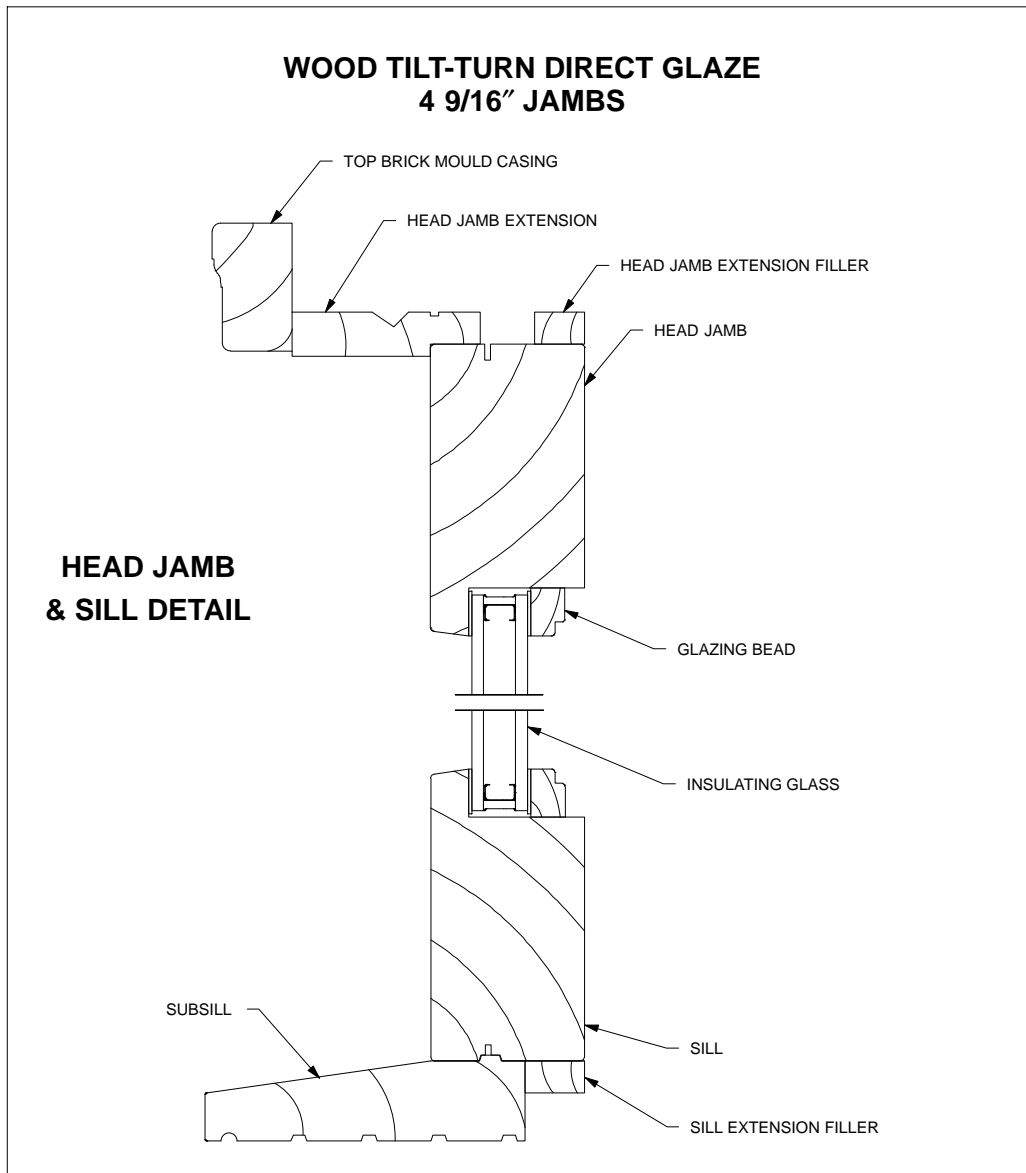
PRODUCED	UNIT TYPE	FEATURES OR CHANGES	DISCONTINUED
1984	Wood and Clad Tilt-Turn, Hopper, Inswing Casement and Round Top Tilt-Turn	Tilt-Turn, Hopper and Inswing Casement introduced. Basic units feature 2 13/32" jambs. Stationary units available as in-sash or keyed units. Tilt-Turns feature unique two mode operation controlled by one handle. Hopper units have one mode of operation, tilting at the top for ventilation. Inswing Casements turn in and do not tilt. These units have no standard sizes.	Present
1985	Wood Tilt-Turn and Round Top Tilt-Turn	Direct glaze stationary units (without hardware) introduced.	Present
1986	Wood and Clad Tilt-Turn, Hopper, Inswing Casement and Round Top Tilt-Turn	New jamb extension profiles and attachment location for wood units in early 1986, clad units mid 1986. Because of new profiles and attachment location frame sizes changed in width and height.	Present
1988	Wood and Clad Tilt-Turn, Inswing Casement and Round Top Tilt-Turn	Handing policy changed from European standard (viewed from the interior) to being viewed from the exterior (Marvin standard). Right or left hand identification on hinges should be disregarded.	Present
1988	Wood and Clad Tilt-Turn, Hopper and Inswing Casement	Jamb extension for multiple assemblies now applied to the perimeter head jamb, side jambs and sill as well as continuous extensions applied to selected intermediate mulls.	Present
1992	Wood Tilt-Turn, Hopper, Inswing Casement and Round Top Tilt-Turn	Simulated divided lite option introduced.	Present
1993	Clad Tilt-Turn, Hopper and Inswing Casement	Introduced factory installed clad brick mould casing and simulated divided lite option.	Present
1994	Wood and Clad Tilt-Turn, Hopper and Inswing Casement	Interior energy panel surround changed from vinyl to metal.	Present
1997	Wood and Clad Tilt-Turn, Round Top Tilt-Turn, and Inswing Casement	Top Hinge change.	2000
2000	Wood and Clad Tilt-Turn, Round Top Tilt-Turn and Inswing Casement	1/26/00 Round Top Tilt-Turn & Tilt-Turn Top and Bottom Hinge change. 1/26/00 Inswing Casement snubber at center changed to a pinned hinge. Top and Bottom Hinge change.	Present
2000	Wood and Clad Hopper	9/00 Frame and sash snubber changed.	Present
2002	Clad Tilt-Turn, Hopper and Inswing Casement	3/02 Stone White becomes a standard color. Arctic White transitions to a select color.	Present
2006	Tilt-Turn, Inswing, Hopper	5/22/06 Roto Centro 101 (YZD) hardware was discontinued and replaced with the Roto NT (metal gray) hardware system.	Present
2009	Tilt-Turn, Inswing	6/22/09 New part numbers for bottom corner hinge, pivot rest, and caps. Design change by supplier.	Present
2010	MTT, MICA, MHOP, MSTA, MSTA KEY	2/03/2010 Added a .313 by .031 thick bumper to the glazing bed of the Magnum Tilt-Turn units (wood and clad).	Present
2011	All	04/25/2011 Added LoE-180™ as a standard option for all products. White painted interior finish option introduced for all products.	Present
2012	Wood and Clad Tilt-Turn	02/27/2012 Upgraded screen which will now offer Hi Transparency screen mesh as the standard.	Present
	All	10/29/2012 Interior Square Sticking/Glazing Bead option introduced.	
	All	12-17-2012 Introduced Clear interior finish option on all products.	
2013	All	04/29/2013 Introduced interior stain options. Stain colors are Wheat, Honey, Leather, Hazelnut, Cabernet and Espresso.	Present



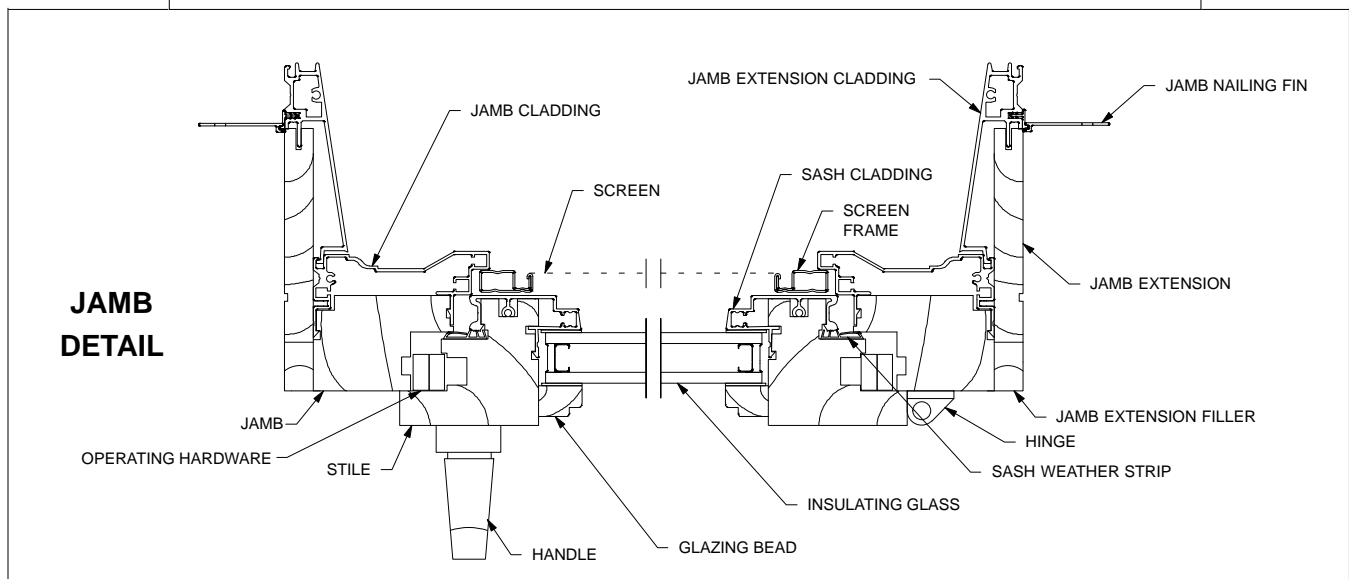
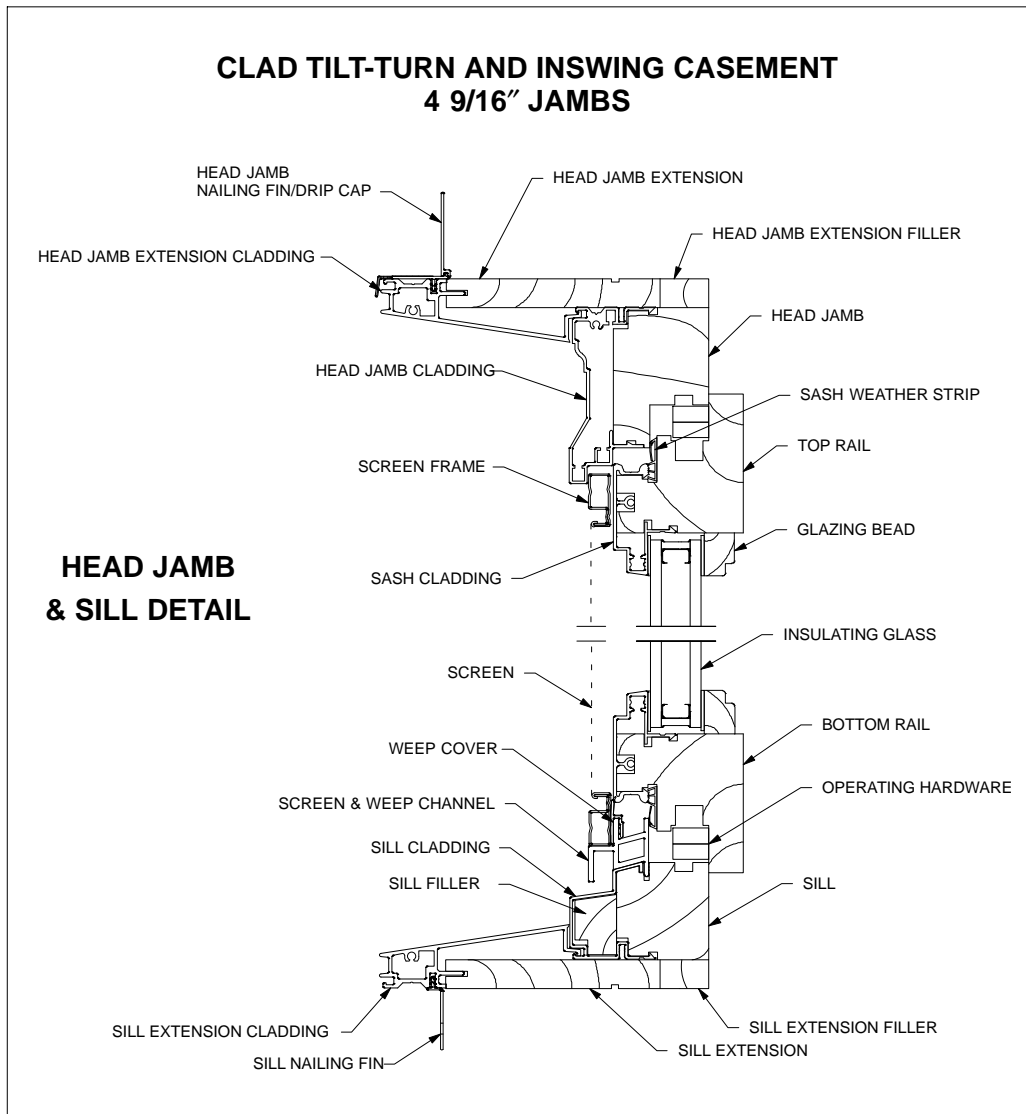
NOTE: Not to scale; specifications subject to change without notice. Hopper part identification is the same as above with the exception of handle location.



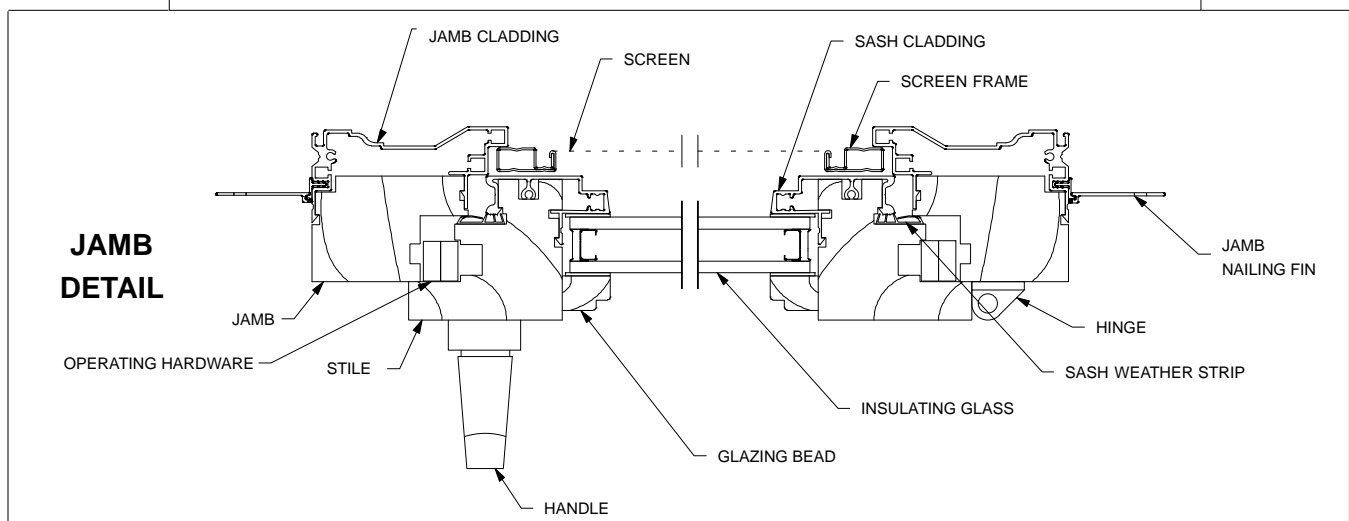
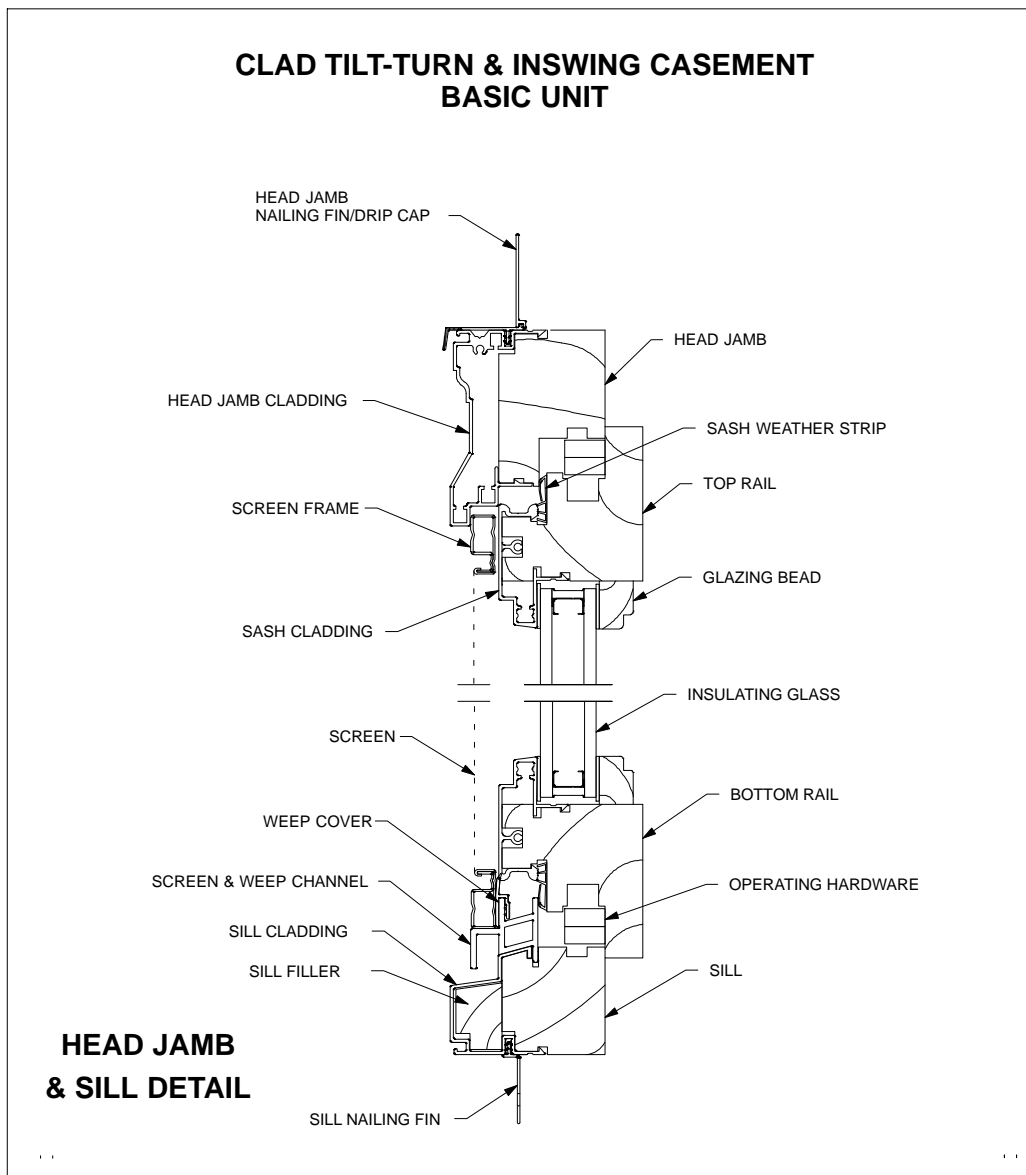
NOTE: Not to scale; specifications subject to change without notice. Hopper part identification is the same as above with the exception of handle location.



NOTE: Not to scale; specifications subject to change without notice.



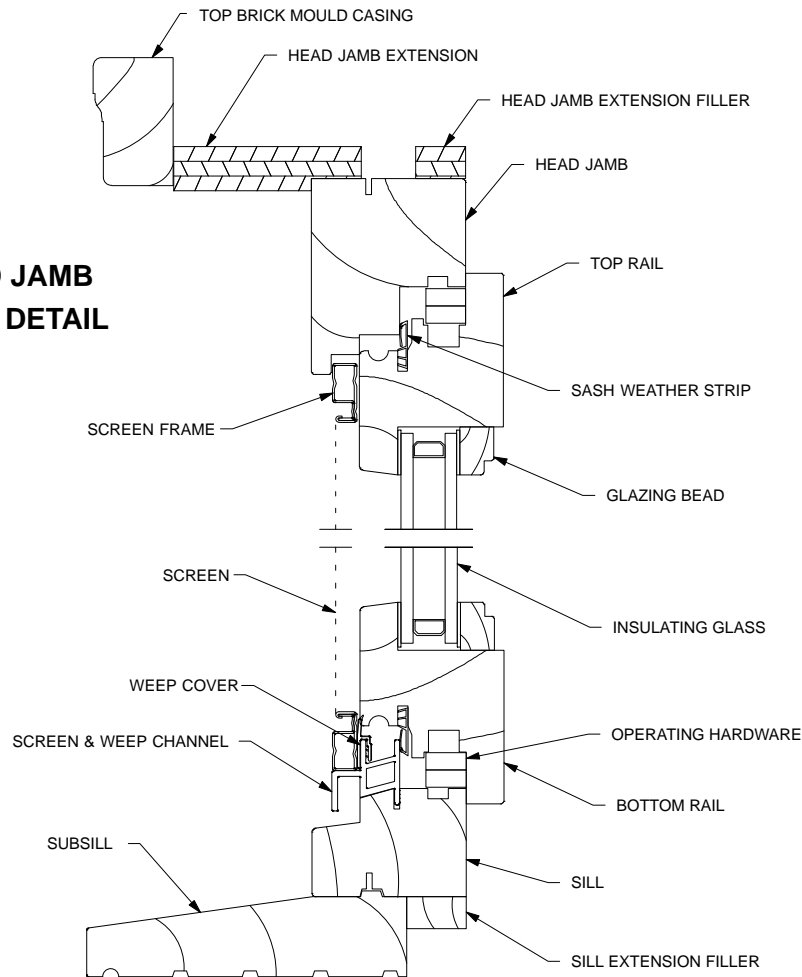
NOTE: Not to scale; specifications subject to change without notice. Hopper part identification is the same as above with the exception of handle location.



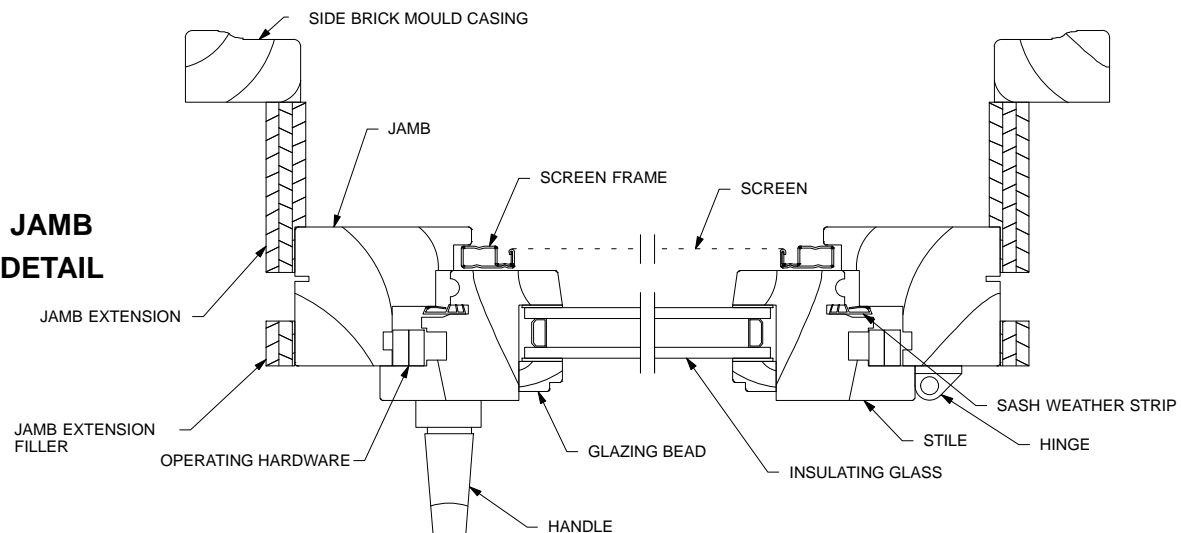
NOTE: Not to scale; specifications subject to change without notice. Hopper part identification is the same as above with the exception of handle location.

**WOOD ROUND TOP TILT-TURN AND INSWING CASEMENT
 4 9/16" JAMBS**

**HEAD JAMB
 & SILL DETAIL**



**JAMB
 DETAIL**



NOTE: Not to scale; specifications subject to change without notice.

When ordering replacement Tilt-Turn parts specify:

1. type of unit;
2. part number;
3. description.

NOTE: Always determine handing of parts from the exterior (hinged side). Since the vendor determines handing from the interior, some parts may be stamped with an "L" or "R." **For Marvin handing identification**, an "L" will mean right hand and an "R" will mean left hand. **DO NOT SPECIFY USING VENDOR METHOD.**

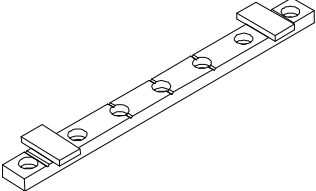
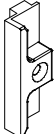
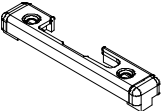
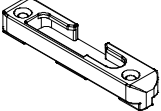
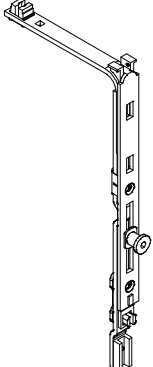
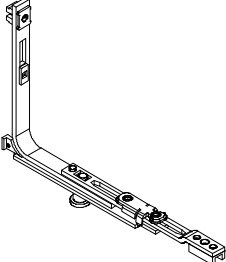
ILLUSTRATION NOT TO SCALE	DESCRIPTION	OPER./ COLOR	PART NO.
	Groove Packer / Spacer K606A81		10815171
	Striker <i>Includes:</i> 1 - Striker 1 - #8x1 1/2" Phillips flat head screws (11808110)		10811701
 LH Shown	Striker, Steel Security <i>Includes:</i> 1 - Steel Security Striker 2 - #8x1 1/2" Phillips flat head screws (11808110)	LH RH	10811767 10811768
 LH Shown	Striker, Tilt-Turn <i>Includes:</i> 1 - Tilt-Turn Striker 2 - #8x1 1/2" Phillips flat head screws (11808110)	LH RH	10811746 10811747
	Corner Drive, Stay <i>Includes:</i> 1 - Corner Drive, Stay 2 - #6x1 1/2" Phillips flat head screws (11800103)		10811714
	Corner Drive, Tilt-Turn <i>Includes:</i> 1 - Corner Drive Tilt-Turn 1 - #6x1 1/2" Phillips flat head screws (11800103)		10811713

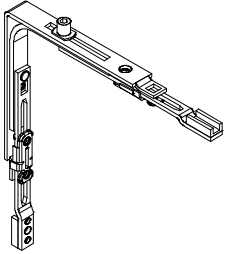
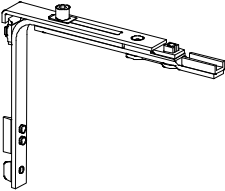
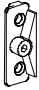

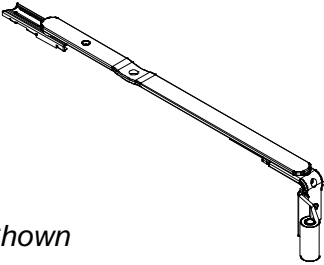
ILLUSTRATION NOT TO SCALE	DESCRIPTION	OPER./ COLOR	PART NO.
	<p>Corner Drive, E-Cam Includes: 1 - Corner Drive, E-Cam 2 - #6x1 1/2" Phillips flat head screws (11800103)</p>		10811700
	<p>Corner Drive, Special Includes: 1 - Corner Drive, Special 2 - #6x1 1/2" Phillips flat head screws (11800103)</p>		10811759
	<p>Mishandling Device, Frame Includes: 1 - Mishandling Device, Frame 2 - #8x1 1/2" Phillips flat head screws (11808110)</p>		10811744
	<p>Mishandling Device, Sash Includes: 1 - Mishandling Device Sash 1 - #6x1 1/2" Phillips flat head screws (11808103)</p>		10811745
 <p>LH Shown</p>	<p>Arm, Sash Stay Includes: 1 - Sash Stay Arm</p>	<p>290-410, 150mm LH 290-410, 150mm RH 411-600, 250mm LH 411-600, 250mm RH 601-800, 350mm LH 601-800, 350mm RH 801-1400, 500mm LH 801-1400, 500mm RH</p>	<p>10811715 10811716 10811717 10811718 10811719 10811720 10811721 10811722</p>

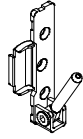
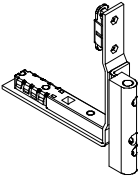
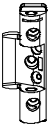

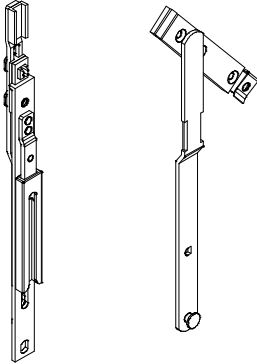





ILLUSTRATION NOT TO SCALE	DESCRIPTION	OPER./ COLOR	PART NO.
<p>LH Shown</p> 	<p>Pivot Rest LH or RH Corner <i>Includes:</i> 1 - Pivot Rest 3 - #8x1 1/2" Phillips flat head screws (11808110)</p>	<p>LH RH</p>	<p>10811752 10811753</p>
<p>LH Shown</p> 	<p>Hinge LH or RH Corner <i>Includes:</i> 1 - Hinge 6 - #6x1 1/2" Phillips flat head screws (11800103)</p>	<p>LH RH</p>	<p>10811754 10811755</p>
	<p>Bearing, Sash Stay <i>Includes:</i> 1 - Bearing 3 - #8x1 1/2" Phillips flat head screws (11808110)</p>		<p>10811742</p>
	<p>Pin, Sash Stay Bearing <i>Includes:</i> 1 - Sash Stay Bearing Pin</p>		<p>10811743</p>
	<p>Additional Scissor Stay* (sash and frame) <i>Includes:</i> 1 - Additional Scissor Stay (2 piece) 2 - #6x1 1/2" Phillips flat head screws (11800103) 2 - #8x1 1/2" Phillips flat head screws (11808110)</p> <p>* Unit must have 36" minimum width</p>		<p>10811769</p>
<p>(a) </p> <p>(b) </p> <p>(c) </p> <p>(d) </p> <p>(e) </p>	<p>Turn Restrictor Field Applied Kit <i>Includes:</i> 1 - Turn Restrictor 335mm (10811774) (a) 1 - Bearing (10811775) (b) 1 - Groove Packer (10815171) (c) 4 - #6 x 1 1/2" Phillips flat head screws (11800103) (d) 2 - #8 x 1 1/2" Phillips flat head screws (11808110) (e) 1 - Instruction</p> <p>NOTE: This kit is for products with a minimum sash OSM width of 25 1/2" (648mm) AND built after 5/22/2006.</p>		<p>11852602</p>



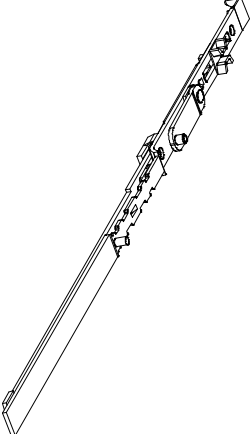

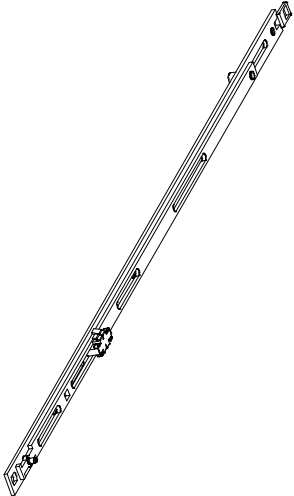
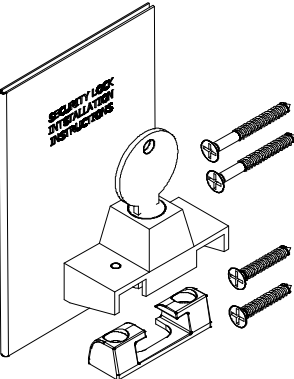
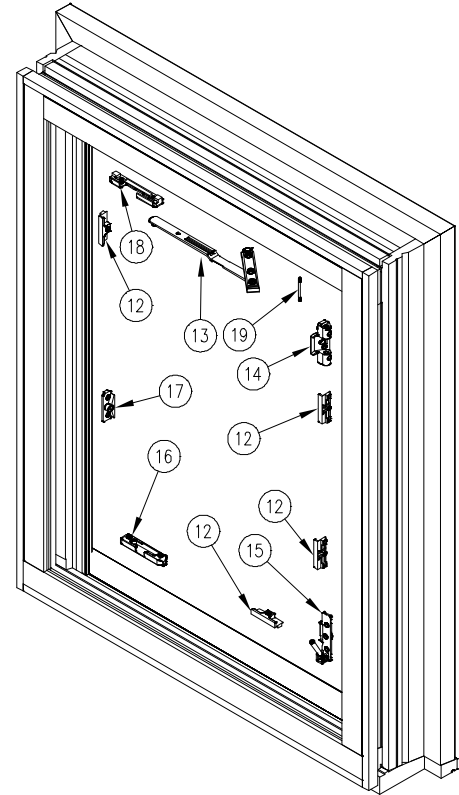
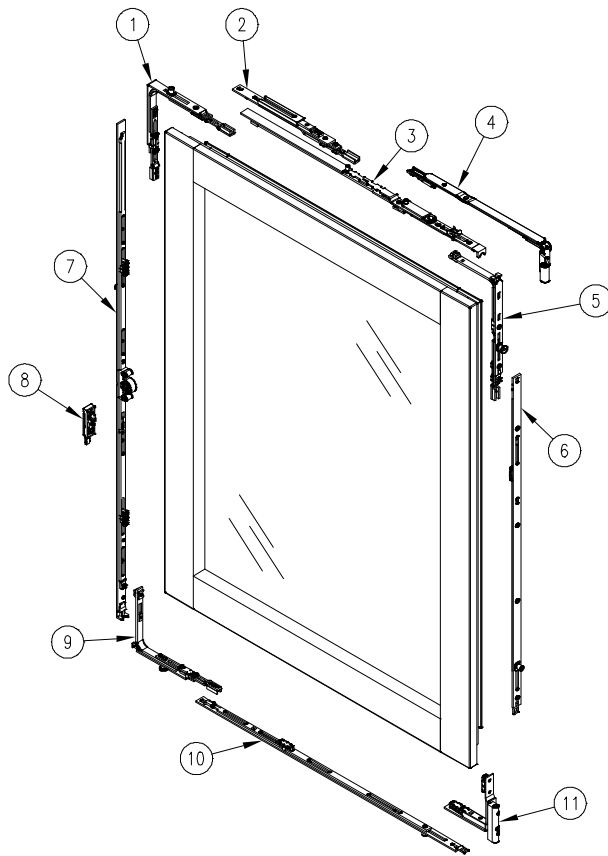
ILLUSTRATION NOT TO SCALE	DESCRIPTION	LENGTH	PART NO.
	<p>Espagnolette <i>Includes:</i> 1 - Espagnolette</p>	<p>Sash O.M. Height 12 7/16"–20 5/16" 20 3/8"–25 1/16" 25 1/8"–32 15/16" 33"–40 13/16" 40 7/8"–48 11/16" 48 3/4"–56 9/16" 56 5/8"–64 7/16" 64 1/2"–72 5/16" 72 3/8"–80 3/16" 80 1/4"–88 1/16" 88 1/8"–95 15/16"</p>	<p>10811723 10811724 10811725 10811726 10811727 10811728 10811729 10811730 10811731 10811732 10811733</p>
	<p>Espagnolette, Centered Handle <i>Includes:</i> 1 - Espagnolette</p>	<p>Sash O.M. Height 13 5/8"–19 1/8" 19 1/4"–25 7/8" 25 7/8"–32 15/16" 33"–48 11/16" 48 3/4"–64 7/16" 64 1/2"–80 3/16" 80 1/4"–95 15/16"</p>	<p>10811702 10811703 10811704 10811705 10811706 10811707 10811708</p>
	<p>Guide, Sash Stay <i>Includes:</i> 1 - Sash Stay Guide</p>	<p>Sash O.M. Width 12 7/8"–17 9/16" 17 5/8"–25 1/16" 25 1/8"–32 15/16" 33"–40 13/16" 40 7/8"–48 11/16" 48 3/4"–56 9/16"</p>	<p>10811734 10811735 10811736 10811737 10811738 10811739</p>

ILLUSTRATION NOT TO SCALE	DESCRIPTION	LENGTH/COLOR	PART NO.
	<p>Espagnolette Extension</p> <p><i>Includes:</i> 1 – Extension</p>	<p>200mm 200mm w/Cam 400mm w/Cam 270mm (croppable)</p>	<p>10811771 10811772 10811773 10811770</p>
	<p>Center Lock</p> <p><i>Includes:</i> 1 – Center Lock</p>	<p>600mm 600mm w/connector</p>	<p>10811750 10811751</p>
	<p>Security Lock Kit</p> <p><i>Includes:</i> 1 – Security Lock/Keeper/Key (10811781 Metal gray, 1081782 White) 2 – #8x1" SS flat head screws (11800805) 2 – #8x1 1/2" Phillips flat head screws (11808110) 1 – Installation instruction</p>	<p>Metal Gray White</p>	<p>11852600 11852601</p>

**WOOD MAGNUM TILT-TURN
 Frame and Sash Hardware Locations**



NOTE: Not to scale; specifications subject to change without notice.

- | | | |
|---------------------------------|-----------------------------------|------------------------------|
| 1. Corner Drive E-Cam | 8. Mishandling Device Sash | 15. Pivot Rest |
| 2. Additional Scissor Stay-Sash | 9. Corner Drive Tilt-Turn | 16. Striker, Tilt-Turn |
| 3. Sash Stay Guide | 10. Center Lock, 600mm | 17. Mishandling Device Frame |
| 4. Sash Stay Arm | 11. Corner Hinge | 18. Steel Security Striker |
| 5. Corner Drive Stay | 12. Striker | 19. Pin, Sash Stay Bearing |
| 6. Center Lock, 600mm | 13. Additional Scissor Stay-Frame | |
| 7. Espagnolette | 14. Sash Stay Bearing | |

When ordering replacement Hopper parts specify:

1. type of unit;
2. part number;
3. description.

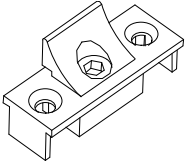
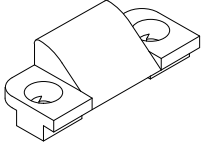
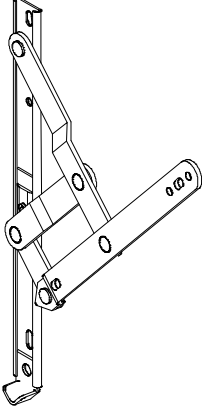
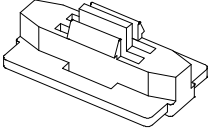
ILLUSTRATION NOT TO SCALE	DESCRIPTION	LENGTH/COLOR	PART NO.																									
	<p>Snubber (Sash) 872833 <i>Includes:</i> 1 - Sash snubber 2 - #6x1 1/2" Phillips flathead wood screws (11808103)</p>		10815147																									
	<p>Snubber (Frame) 873267 <i>Includes:</i> 1 - Frame snubber 2 - #8x1 1/2" Phillips flathead wood screws (11808110)</p>		10815148																									
	<p>Hinge <i>Includes:</i> 1 - Hinge</p> <table border="0" data-bbox="873 961 1289 1255"> <tr> <td>Hinge Height</td> <td>Sash O.M. Height</td> <td></td> </tr> <tr> <td>10" (254)</td> <td>13 3/16"–19 3/16"</td> <td></td> </tr> <tr> <td>12" (305)</td> <td>19 1/4"–25 3/16"</td> <td></td> </tr> <tr> <td>16" (406)</td> <td>25 1/4"–32 15/16"</td> <td></td> </tr> <tr> <td>16" (406)</td> <td>33"–37 3/16"</td> <td rowspan="8">Check for availability</td> </tr> <tr> <td>20" (508)</td> <td>37 1/4"–41 15/16"</td> </tr> <tr> <td>20" (508)</td> <td>42"–48 3/16"</td> </tr> <tr> <td>20" (508)</td> <td>48 1/4"–52 3/16"</td> </tr> <tr> <td>24" (610)</td> <td>52 1/4"–55 3/16"</td> </tr> <tr> <td>28" (711)</td> <td>55 1/4"–59 3/16"</td> </tr> </table>	Hinge Height	Sash O.M. Height		10" (254)	13 3/16"–19 3/16"		12" (305)	19 1/4"–25 3/16"		16" (406)	25 1/4"–32 15/16"		16" (406)	33"–37 3/16"	Check for availability	20" (508)	37 1/4"–41 15/16"	20" (508)	42"–48 3/16"	20" (508)	48 1/4"–52 3/16"	24" (610)	52 1/4"–55 3/16"	28" (711)	55 1/4"–59 3/16"		
Hinge Height	Sash O.M. Height																											
10" (254)	13 3/16"–19 3/16"																											
12" (305)	19 1/4"–25 3/16"																											
16" (406)	25 1/4"–32 15/16"																											
16" (406)	33"–37 3/16"	Check for availability																										
20" (508)	37 1/4"–41 15/16"																											
20" (508)	42"–48 3/16"																											
20" (508)	48 1/4"–52 3/16"																											
24" (610)	52 1/4"–55 3/16"																											
28" (711)	55 1/4"–59 3/16"																											
	<p>Restrictor, 90° Travel <i>Includes:</i> 1 - Restrictor</p>			10811710																								

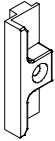
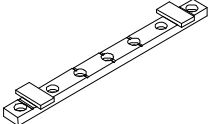
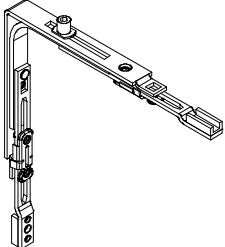
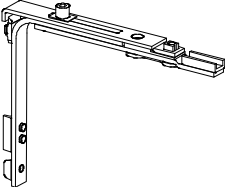
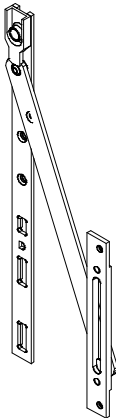
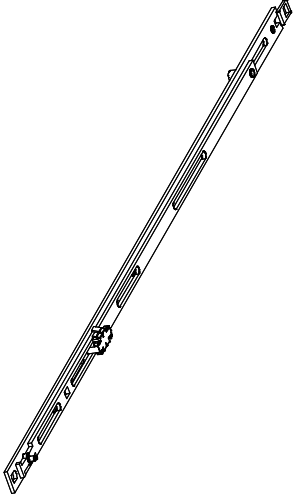


ILLUSTRATION NOT TO SCALE	DESCRIPTION	LENGTH	PART NO.
	<p>Striker Includes: 1 – Striker 1 – #8x1 1/2" Phillips flat head screws (11808110)</p>		10811701
	<p>Spacer K606A81 Includes: 1 – Spacer</p>		10815171
	<p>Corner Drive, E-Cam Includes: 1 – Corner Drive, E-Cam 2 – #6x1 1/2" Phillips flat head screws (11800103)</p>		10811700
	<p>Corner Drive, Special Includes: 1 – Corner Drive, Special 2 – #6x1 1/2" Phillips flat head screws (11800103)</p>		10811759
	<p>Tilt Stay Includes: 1 – Tilt Stay 2 – #6x1 1/2" Phillips flat head screws (11800103) 2 – #8x1 1/2" Phillips flat head screws (11808110)</p>		10811711

ILLUSTRATION NOT TO SCALE	DESCRIPTION	LENGTH	PART NO.
	<p>Center Lock Includes: 1 - Center Lock</p>	<p>200mm 400mm</p>	<p>10811776 10811709</p>
	<p>Espagnolette, Centered Handle Includes: 1 - Espagnolette</p>	<p>Sash O.M. Width 13 5/8" - 19 1/8" 19 1/4" - 25 7/8" 25 7/8" - 32 15/16" 33" - 48 11/16" 48 3/4" - 64 7/16" 64 1/2" - 80 3/16" 80 1/4" - 95 15/16"</p>	<p>10811702 10811703 10811704 10811705 10811706 10811707 10811708</p>
	<p>Espagnolette Extension Includes: 1 - Extension</p>	<p>200mm 200mm w/Cam 400mm w/Cam 270mm (croppable)</p>	<p>10811771 10811772 10811773 10811770</p>

When ordering replacement Inswing Casement parts specify:

1. type of unit;
2. part number;
3. description.

NOTE: Always determine handing of parts from the exterior (hinged side). Since the vendor determines handing from the interior, some parts may be stamped with an “L” or “R.” **For Marvin handing identification**, an “L” will mean right hand and an “R” will mean left hand. **DO NOT SPECIFY USING VENDOR METHOD.**


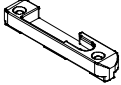
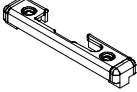
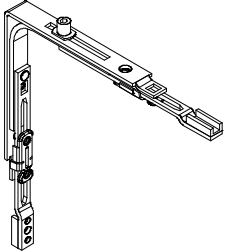
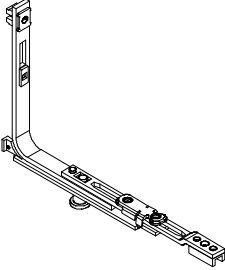
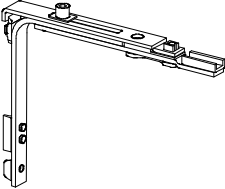


ILLUSTRATION NOT TO SCALE	DESCRIPTION	COLOR	PART NO.
	<p>Striker Includes: 1 – Striker 1 – #8x1 1/2” Phillips flat head screws (11808110)</p>		10811701
<p>LH Shown</p> 	<p>Striker, Security Includes: 1 – Security Striker 2 – #8x1 1/2” Phillips flat head screws (11808110)</p>	LH RH	10811760 10811761
<p>LH Shown</p> 	<p>Striker, Steel Security Includes: 1 – Steel Security Striker 2 – #8x1 1/2” Phillips flat head screws (11808110)</p>	LH RH	10811767 10811768
	<p>Corner Drive, E-Cam Includes: 1 – Corner Drive, E-Cam 2 – #6x1 1/2” Phillips flat head screws (11800103)</p>		10811700
	<p>Corner Drive, Tilt-Turn Includes: 1 – Corner Drive Tilt-Turn 1 – #6x1 1/2” Phillips flat head screws (11800103)</p>		10811713
	<p>Corner Drive, Special Includes: 1 – Corner Drive, Special 2 – #6x1 1/2” Phillips flat head screws (11800103)</p>		10811759
	<p>Mishandling Device, Frame Includes: 1 – Mishandling Device Frame 2 – #8x1 1/2” Phillips flat head screws (11808110)</p>		10811744
	<p>Mishandling Device, Sash Includes: 1 – Mishandling Device Sash 1 – #6x1 1/2” Phillips flat head screws (11808103)</p>		10811745

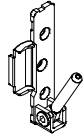
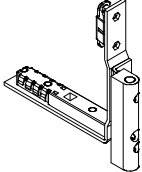
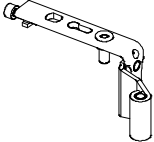
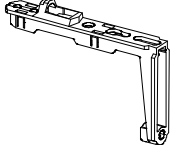


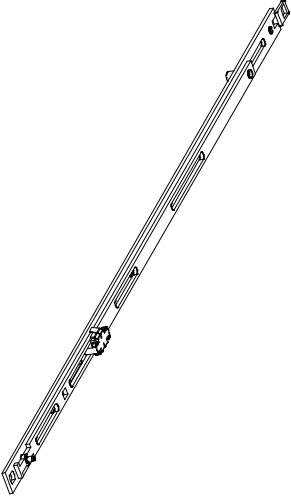
ILLUSTRATION NOT TO SCALE	DESCRIPTION	COLOR	PART NO.
<p>LH Shown</p> 	<p>Pivot Rest LH or RH Corner <i>Includes:</i> 1 – Pivot Rest 3 – #8x1 1/2" Phillips flat head screws (11808110)</p>	<p>LH RH</p>	<p>10811752 10811753</p>
<p>LH Shown</p> 	<p>Hinge LH or RH Corner <i>Includes:</i> 1 – Hinge 6 – #6x1 1/2" Phillips flat head screws (11800103)</p>	<p>LH RH</p>	<p>10811754 10811755</p>
<p>LH Shown</p> 	<p>Rebate Hinge, Arm <i>Includes:</i> 1 – Rebate Hinge, Arm</p>	<p>LH RH</p>	<p>10811763 10811766</p>
	<p>Rebate Hinge, Sash <i>Includes:</i> 1 – Rebate Hinge, Sash 3 – #6x1 1/2" Phillips flat head screws (11800103)</p>		<p>10811762</p>
	<p>Pin, Sash Stay Bearing <i>Includes:</i> 1 – Sash Stay Bearing Pin</p>		<p>10811743</p>
	<p>Bearing, Sash Stay <i>Includes:</i> 1 – Bearing 3 – #8x1 1/2" Phillips flat head screws (11808110)</p>		<p>10811742</p>
	<p>Center Lock <i>Includes:</i> 1 – Center Lock</p>	<p>600mm</p>	<p>10811750</p>

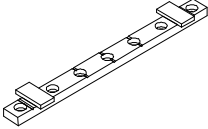
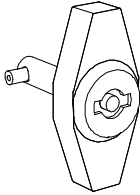

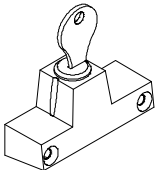
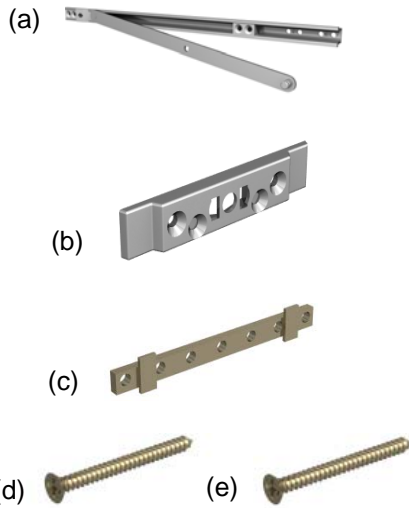
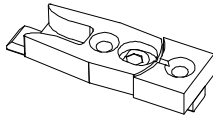
ILLUSTRATION NOT TO SCALE	DESCRIPTION	COLOR	PART NO.
	<p>Groove Packer / Spacer K606A81 <i>Includes:</i> 1 – Spacer</p>		10815171
	<p>Stationary Lock <i>Includes:</i> 1 – Stationary lock 2 – #8x35mm Phillips head machine screws</p>	BZ	10815124
	<p>Stationary Lock Handle <i>Includes:</i> 1 – Stationary lock Handle</p>		10820313
	<p>Security Lock <i>Includes:</i> 1 – Security Lock 2 – #8x1 1/2" Phillips flat head screws (11808110) 2 – #6x1 1/2" Phillips flat head screws (11800103)</p>	Metal Gray White	NA
	<p>Turn Restrictor Field Applied Kit <i>Includes:</i> Turn Restrictor Field Applied Kit <i>Includes:</i> – Turn Restrictor 335mm (10811774) (a) 1 – Bearing (10811775) (b) 1 – Groove Packer (10815171) (c) 4 – #6 x 1 1/2" Phillips flat head screws (11800103) (d) 2 – #8 x 1 1/2" Phillips flat head screws (11808110) (e) 1 – Instruction</p>		11852602
	<p>Strike R604C51 <i>Includes:</i> 1 – Strike 2 – #8x1 1/2" Phillips flathead wood screws</p>		10815112

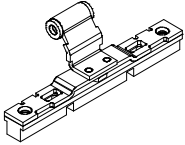
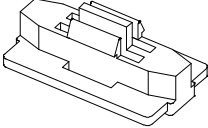



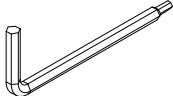
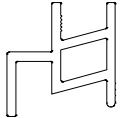

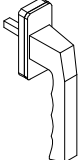
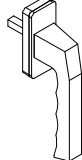
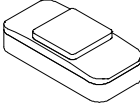
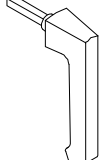
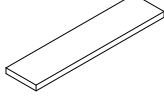
ILLUSTRATION NOT TO SCALE	DESCRIPTION	LENGTH/COLOR	PART NO.
	<p>Turn Only Rebate Hinge with Alignment</p> <p><i>Includes:</i> 1 – Turn Only Rebate Hinge 4 – #6x1 1/2" Phillips flat head screws (11800103)</p>		10815174
	<p>Restrictor, 90° Travel</p> <p><i>Includes:</i> 1 – Restrictor</p>		10811710
	<p>Espagnolette Extension</p> <p><i>Includes:</i> 1 – Extension</p>	<p>200mm 200mm w/Cam 400mm w/Cam 270mm (croppable)</p>	<p>10811771 10811772 10811773 10811770</p>

ILLUSTRATION NOT TO SCALE	DESCRIPTION	LENGTH	PART NO.
	<p>Espagnolette <i>Includes:</i> 1 - Espagnolette</p>	<p>Sash O.M. Height 12 7/16"–20 5/16" 10811723 20 3/8"–25 1/16" 10811724 25 1/8"–32 15/16" 10811725 33"–40 13/16" 10811726 40 7/8"–48 11/16" 10811727 48 3/4"–56 9/16" 10811728 56 5/8"–64 7/16" 10811729 64 1/2"–72 5/16" 10811730 72 3/8"–80 3/16" 10811731 80 1/4"–88 1/16" 10811732 88 1/8"–95 15/16" 10811733</p>	
	<p>Espagnolette, Centered Handle <i>Includes:</i> 1 - Espagnolette</p>	<p>Sash O.M. Height 13 5/8"–19 1/8" 10811702 19 1/4"–25 7/8" 10811703 25 7/8"–32 15/16" 10811704 33"–48 11/16" 10811705 48 3/4"–64 7/16" 10811706 64 1/2"–80 3/16" 10811707 80 1/4"–95 15/16" 10811708</p>	

MISCELLANEOUS PARTS

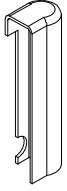
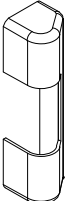

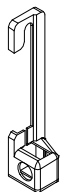
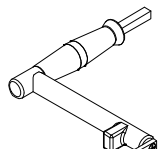
When ordering replacement miscellaneous parts specify:

1. type of unit;
2. part number;
3. description.

ILLUSTRATION NOT TO SCALE	DESCRIPTION	COLOR	PART NO.
	Allen Wrench P010A 24 5/32" hex wrench with recessed 3/32" end		10815357
	Screen and Weep Channel V469 Attached with #6x3/4" square drive truss head screws (11800675)	WH BZ BG	15620000 15630000 15620001
	Weep Cover V470	AR BZ PB SW BG	N/A 15632099 N/A 15631299 15631199
	Pistol Grip Handle <i>Includes:</i> 1 - Pistol grip handle 1 - Installation package with #5x35mm machine screws	BZ WH SC BS	11900114 10815195 11900110 10143000
NOTE: Handle style may vary depending on current stock.	 Keyed Handle (with cylinder and keys) <i>Includes:</i> 1 - Keyed handle with cylinder and 2 keys 1 - Installation package with #5x35mm machine screws	BZ WH	11900112 11900111
NOTE: Plate style may vary depending on current stock.	 Escutcheon Plate R033A15 <i>Includes:</i> 1 - Escutcheon plate 2 - #5x35mm machine screws	BZ	NA
	Removable Handle (for Escutcheon) R033A22	New Silver	NA
	Neoprene Setting Block for Reglazing 5/32" x 15/16" x 4"		10500300

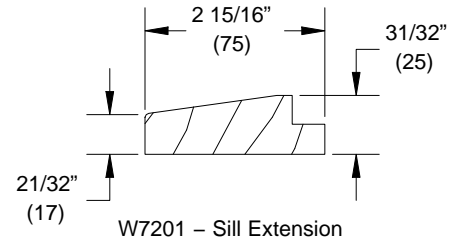
MISCELLANEOUS PARTS

NOTE: Since the vendor determines handing from the interior, some parts may be stamped with an "L" or "R." **For Marvin handing identification**, an "L" will mean right hand and an "R" will mean left hand. **DO NOT SPECIFY USING VENDOR METHOD.**

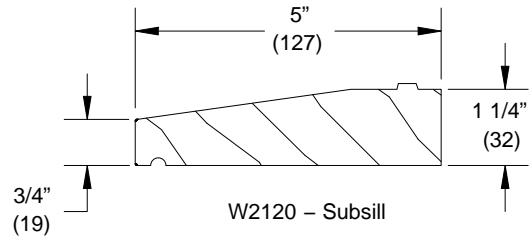
ILLUSTRATION NOT TO SCALE	DESCRIPTION	OPER./ COLOR	PART NO.
 <p>Left hand shown</p>	<p>Vertical Bottom Hinge Cap (Sash) N591A0671L N591A0671R</p> <p>N591A0653L N591A0653R</p> <p>NOTE: Field applied snap-on cover.</p>	<p>Pre 6/22/09 RH WH LH WH</p> <p>RH BZ LH BZ</p> <p>Post 6/22/09 RH WH LH WH</p> <p>RH BZ LH BZ</p>	<p>10815349 10815350</p> <p>10815351 10815352</p> <p>10815359 10815360</p> <p>10815361 10815362</p>
	<p>Top and Center Hinge Cap (Frame) Overall width 2 3/8" (60)</p> <p>N391A0471 N391A0453</p> <p>NOTE: Field applied snap-on cover.</p>	<p>WH BZ</p>	<p>10815347 10815348</p>
	<p>Top and Center Hinge Cap (RT Sash) N391A0571 N391A0553</p> <p>NOTE: Field applied snap-on cover.</p>	<p>WH BZ</p>	<p>10815345 10815346</p>
 <p>Left hand shown</p>	<p>Bottom Hinge Cap (Frame) N591A0571L N591A0571R</p> <p>N591A0553L N591A0553R</p> <p>NOTE: Field applied snap-on cover.</p>	<p>Pre 6/22/09 RH WH LH WH</p> <p>RH BZ LH BZ</p> <p>Post 6/22/09 RH WH LH WH</p> <p>RH BZ LH BZ</p>	<p>10815353 10815354</p> <p>10815355 10815356</p> <p>10815363 10815364</p> <p>10815365 10815366</p>
	<p>Top and Center Hinge (Frame) Pin Puller Tool P010A30</p> <p>Can be used as a construction handle</p>		<p>10815358</p>

CURRENT REPLACEMENT WOOD PARTS

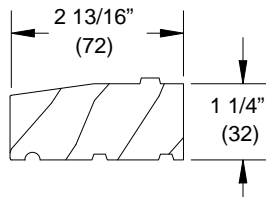
	WOOD	CLAD
Subsill	W2120	----
Narrow Subsill	W2122	----
Cutback Subsill	W2124	----
Sill Extension	W7201	----
Sill Filler	----	W7202
Jamb Extension (exterior)	W7200	W7204
Jamb Extension (interior)	W8647	W8647
Jamb Extension Filler	W6100	----
Wood Glazing Bead – IG	W4102	W4102
Wood Glazing Bead – SG	W4106	W4106
Wood Glazing Bead – SG – ADL	W4100	W4100



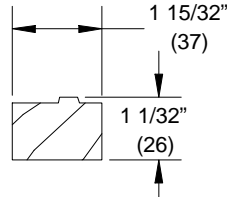
W7201 – Sill Extension



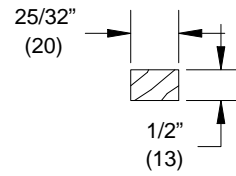
W2120 – Subsill



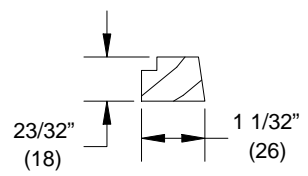
W2122 – Narrow Subsill



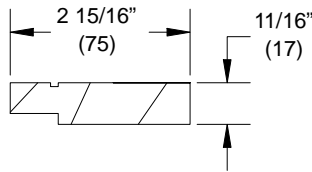
W2124 – Cutback Subsill



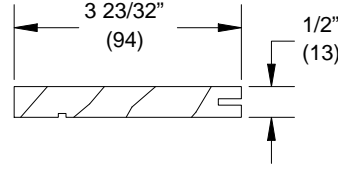
W6100 – Jamb Extension Filler



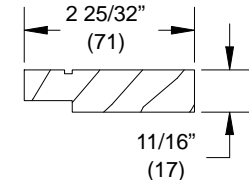
W7202 – Sill Filler



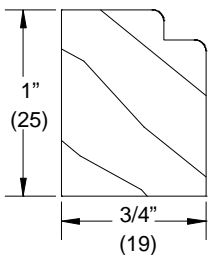
W7200 – Jamb Extension
(exterior Wood)



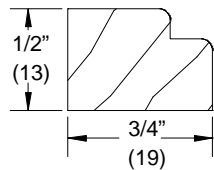
W7204 – Jamb Extension
(exterior Clad)



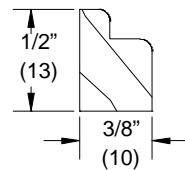
W8647 – Jamb Extension
(interior)



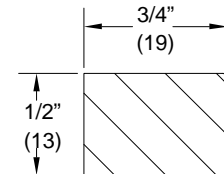
W4106 – Wood Glazing
Bead – SG



W4102 – Wood Glazing
Bead – IG



W4100 – Wood Glazing
Bead – SG – ADL



W11721 – Wood Glazing
Square – IG

TO ORDER REPLACEMENT WOOD PARTS

When ordering replacement wood parts specify:

1. profile number;
2. call number or rough opening;
3. length;
4. finish.

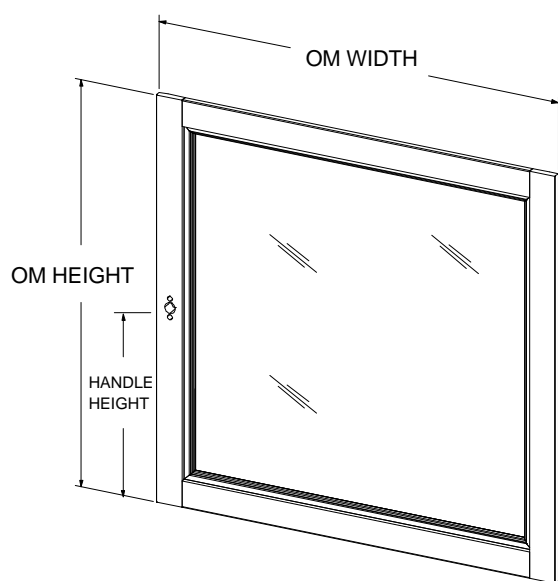
SASH REPLACEMENT/WEATHER STRIP

ORDERING REPLACEMENT OPERATOR OR STATIONARY SASH FOR TILT-TURN, HOPPER AND INSWING CASEMENT

NOTE: For sash produced prior to 6/06/2006, see *Obsolete Sash Replacement* section.

To order replacement operating or stationary sash specify:

1. size (call number or OM of sash);
2. operation and handing;
3. glazing;
4. finish;
5. handle height (if other than standard).
6. Interior wood glazing bead profile.



Interior View

Sash OM Height Measure from the Interior		Handle Height
12 7/16"	– 20 5/16"	5 7/16"
20 3/8"	– 25 1/16"	7 13/32"
25 1/8"	– 32 15/16"	11 1/16"
33"	– 40 13/16"	16 31/32"
40 7/8"	– 48 11/16"	20 29/32"
48 3/4"	– 56 9/16"	22 7/8"
56 5/8"	– 64 7/16"	22 7/8"
64 1/2"	– 72 5/16"	22 7/8"
72 3/8"	– 80 3/16"	40 3/32"
80 1/4"	– 88 1/16"	40 3/32"
88 1/8"	– 95 15/16"	40 3/32"

Note: Handle height is measured from the bottom of the sash to the center of the espagnolette mechanism.

ORDERING REPLACEMENT WEATHER STRIP FOR TILT-TURN, HOPPER, INSWING CASEMENT AND ROUND TOP TILT-TURN

When ordering replacement weather strip specify:

1. type of unit;
2. OM of sash measured from the interior;
3. part number;
4. description.

ILLUSTRATION NOT TO SCALE	DESCRIPTION	PART NUMBER
	Gasket Weather Strip Color: Black Specify length	11900100

SCREENS AND SCREEN PARTS

ORDERING REPLACEMENT SCREENS FOR TILT-TURN, HOPPER AND INSWING CASEMENT

Full screens are standard with aluminum surround and Hi-Transparency fiberglass mesh. Aluminum mesh is available as an option in black, charcoal, bright aluminum, or bright bronze. Determine the outside measurement of the existing screen. Surrounds are available in all standard and select colors.

When ordering replacement screen specify:

<ol style="list-style-type: none"> 1. size; If there is no existing screen to obtain the OM of the panel, determine the size of the EP by using the conversion chart below. The daylight opening is the measurement of the visible glass. 2. color of surround; 3. glass type(if other than standard) 	<p>Screen Sizes for Tilt-Turn, Hopper and Inswing Casement Manufactured between 1984-Present</p> <p>Daylight Opening to OM of Screen</p> <p>Daylight Width + 3 1/2" (89) = OM Width of Screen</p> <p>Daylight Height + 4 5/16" (110) = OM Height of Screen</p> <p>NOTE: OM should not include lip.</p> <p>NOTE: Screens feature plunger type mounting system.</p>
--	---

TILT-TURN, HOPPER AND INSWING CASEMENT SCREEN PARTS 2-27-2012 TO PRESENT

ILLUSTRATION NOT TO SCALE	DESCRIPTION	COLOR	PART NO.
	<p>Plunger and Spring Assembly Used 2/2012 to present <i>Includes:</i> 1 - Plunger bolt (metal) 1 - Plunger bolt cap (black) 1 - Plunger bolt spring</p>	Black	10500706
	<p>Screen Mounting Receptacle M111</p>	White	05070411

OBSOLETE SCREENS AND SCREEN PARTS

ORDERING REPLACEMENT SCREENS FOR TILT-TURN, HOPPER AND INSWING CASEMENT

Full screens are standard with aluminum surround and Hi-Transparency fiberglass mesh. Aluminum mesh is available as an option in black, charcoal, bright aluminum, or bright bronze. Determine the outside measurement of the existing screen. Surrounds are available in all standard and select colors.

When ordering replacement screen specify:

<ol style="list-style-type: none"> 1. size; If there is no existing screen to obtain the OM of the panel, determine the size of the EP by using the conversion chart below. The daylight opening is the measurement of the visible glass. 2. color of surround; 3. glass type(if other than standard) 	<p style="text-align: center;">Screen Sizes for Tilt-Turn, Hopper and Inswing Casement Manufactured between 1984-Present</p> <p style="text-align: center;">Daylight Opening to OM of Screen</p> <p>Daylight Width + 3 1/2" = OM Width of Screen Daylight Height + 4 5/16" = OM Height of Screen</p> <p>NOTE: OM should not include lip. NOTE: Screens feature plunger type mounting system.</p>
--	--

TILT-TURN, HOPPER AND INSWING CASEMENT SCREEN PARTS PRE 2-27-2012

ILLUSTRATION <i>NOT TO SCALE</i>	DESCRIPTION	COLOR	PART NO.
	Plunger and Spring Assembly M0102 <i>Includes:</i> 1 - Plunger bolt (metal) 1 - Plunger bolt cap (black) 1 - Plunger bolt spring	Black	03070731
	Screen Mounting Receptacle M111	White	05070411
	Spline, Screen V1269 Specify lineal feet needed	Black	15221495
	Spline, Screen V129	Black	Discontinued Replace with V1269
	Corner Key Screen M0121		15225301
	Screen Surround, Aluminum Profile A133 Available in 168" (4267) length	SW BZ PB BN EG	18801100 15231799 15231899 15231699 15231999

ORDERING REPLACEMENT ENERGY PANELS FOR TILT-TURN, HOPPER AND INSWING CASEMENT

If you are replacing an existing energy panel, determine the outside measurement of the existing energy panel. If there is no existing energy panel from which to obtain the OM of the panel, determine the size of the energy panel by using the conversion below. The daylight opening is the measurement of the visible glass. Energy panels are available in a white aluminum surround (interior panel).

NOTE: Interior energy panel surround changed from vinyl to metal in 1994. Replacement vinyl parts are not available. Metal surround models are compatible with all Tilt-Turn, Hopper and Inswing Casement units.

When ordering energy panels specify type of unit, size and glass type.

**Interior Energy Panels for Tilt-Turn,
Hopper and Inswing Casement
Manufactured between 1984 – Present**



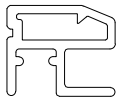
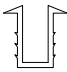
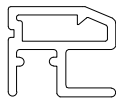
Daylight Opening to OM of IEP

Daylight Width + 1 3/8" = OM Width of IEP

Daylight Height + 1 3/8" = OM Height of IEP

TILT-TURN, HOPPER AND INSWING CASEMENT ENERGY PANEL PARTS

When ordering energy panels parts specify quantity, description of part including color and part number.

ILLUSTRATION <i>NOT TO SCALE</i>	DESCRIPTION	COLOR	PART NO.
	Corner Key, Interior Energy Panel M950		15470016
	Weatherstrip, Interior Energy Panel M0412 Specify Length	WH	15610097
	Interior Energy Panel Surround, Aluminum Profile A149 For 1/8" glass and 3/16" glass Available in 150" (3810) length Note: Must use V235 for 1/8" glass	WH	18600899
	Spline V235 For 1/8" glass only Specify Length	WH	15221211
	Interior Energy Panel Surround, Aluminum Profile A163 For 3/16" featherweight laminated glass Available in 150" (3810) length	WH	18600898

When ordering replacement Tilt-Turn parts specify:

1. type of unit;
2. part number;
3. description.

In most cases, Tilt-Turn hardware will feature model numbers stamped on individual parts. The fifth character of the model number indicates the series (example – M490B32). The newest series hardware is sent for replacement. All model numbers are for reference only, Marvin part numbers are required when ordering replacement parts.

NOTE: Always determine handing of parts with Marvin standard, as viewed from the exterior (Hinged side). Vendor numbers provided view handing from interior. DO NOT SPECIFY USING VENDOR METHOD.

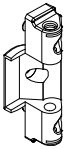
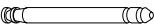
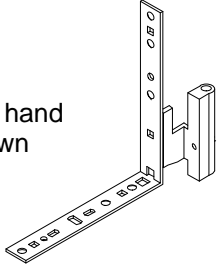
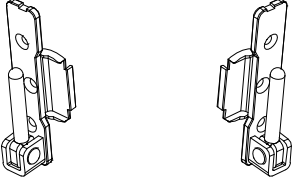
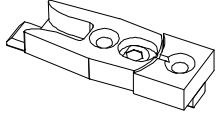
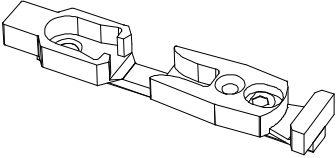
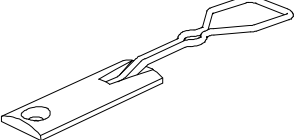
ILLUSTRATION NOT TO SCALE	DESCRIPTION	OPER./ COLOR	PART NO.
	Top Hinge Receiver (Frame) N390A302 <i>Includes:</i> 1 – Top hinge receiver 3 – #8x1 1/2" Phillips flathead wood screws		10815266
	Top Hinge Receiver Pin (Frame) F710D52		10815267
 <p>Left hand shown</p>	Bottom Hinge (Sash) N512A0310R N512A0310L <i>Includes:</i> 1 – Bottom hinge 6 – #6x1 1/2" Phillips flathead wood screws 1 – #8x1 1/2" Phillips flathead wood screws	LH RH	10815268 10815269
 <p>Right Hand Left Hand</p>	Bottom Hinge Receiver (Frame) N512A0301R N512A0301L <i>Includes:</i> 1 – Bottom hinge receiver 3 – #8x1 1/2" Phillips flathead wood screws	LH RH	10815270 10815271
	Strike R604C51 <i>Includes:</i> 1 – Strike 2 – #8x1 1/2" Phillips flathead wood screws		10815112
	Strike, Corner R604C52 <i>Includes:</i> 1 – Strike 2 – #8x1 1/2" Phillips flathead wood screws		10815111
	Tilt Position Clip F400C20		10815197

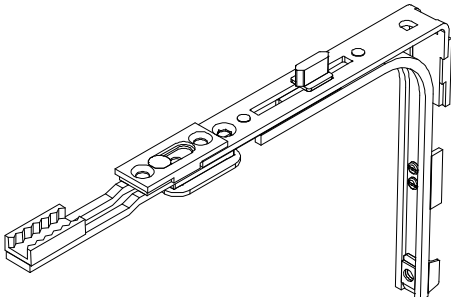
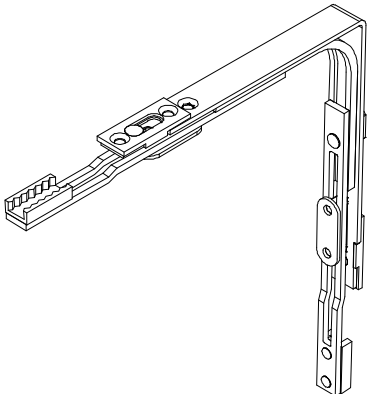
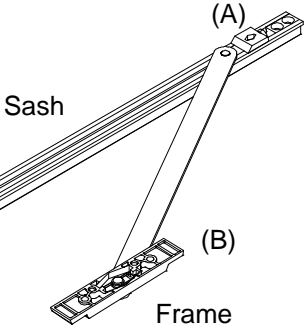
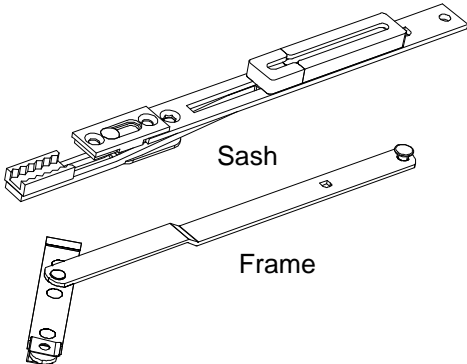
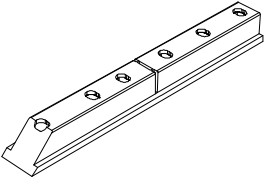
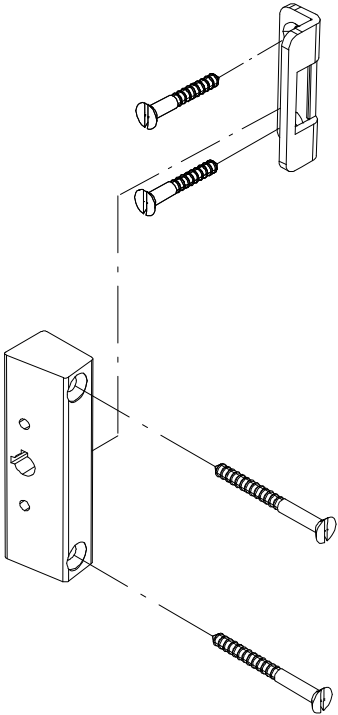
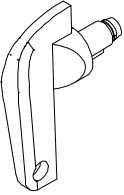
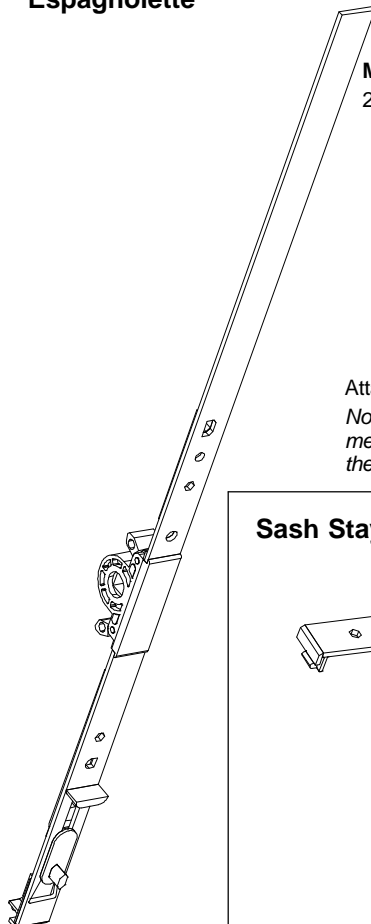
ILLUSTRATION NOT TO SCALE	DESCRIPTION	OPER./ COLOR	PART NO.
	<p>Corner Drive R600A01</p> <p><i>Includes:</i> 1 – Corner drive 4 – #6 x 1 1/2" Phillips flathead wood screws</p> <p>NOTE: For units with sash OM of 14 11/16" – 18 21/32".</p>		10815040
	<p>Corner Drive R600A11</p> <p><i>Includes:</i> 1 – Corner drive 6 – #6 x 1 1/2" Phillips flathead wood screws</p> <p>NOTE: For units with sash OM of 18 11/16" and above.</p>		10815039
 <p>Sash</p> <p>(A)</p> <p>(B)</p> <p>Frame</p> <p>(This item is for limiting the inswing position.)</p>	<p>Friction Limiter</p> <p>NOTE: Both Sash (A) and Frame (B) parts must be ordered for a complete assembly. Spacer (10815171) is used with friction assembly and should also be ordered.</p> <p>Sash (A) K011B204 Used when daylight opening of the unit is 13 7/8" to 15".</p> <p>K011A25 Used when daylight opening of the unit is over 15".</p> <p>Frame (B) Friction Bearing Stop KO11A11</p> <p><i>Includes:</i> 1 – Friction limiter assembly 4 – #8 x 1 1/2" Phillips flathead wood screws (frame) 4 – #6 x 1 1/2" Phillips flathead wood screws (sash)</p>		10815302 10815169 10815168
 <p>Sash</p> <p>Frame</p> <p>(This item is for limiting the tilt position.)</p>	<p>Stabilizer Arm Assembly F502A70</p> <p><i>Includes:</i> 1 – Stabilizer arm assembly 4 – #6 x 1 1/2" Phillips flathead wood screws (sash) 3 – #8 x 1 1/2" Phillips flathead wood screws (frame)</p>		10815175

ILLUSTRATION NOT TO SCALE	DESCRIPTION	OPER./ COLOR	PART NO.
	<p>Spacer R600A43</p>		10815095
	<p>Security Lock M811A29 M811A20</p> <p><i>Includes:</i> 1 – Lock with strike 2 – #7x1" slotted flathead screws (strike) 2 – #7x1 1/2" slotted flathead screws (lock)</p>	WH ZYD	10815120 10815125
	<p>Security Key</p>	WH ZYD	10815127 10815126

NOTE: Always determine handing of parts with Marvin standard, as viewed from the exterior (Hinged side). Vendor numbers provided view handing from interior. **DO NOT SPECIFY USING VENDOR METHOD.**

Espagnolette

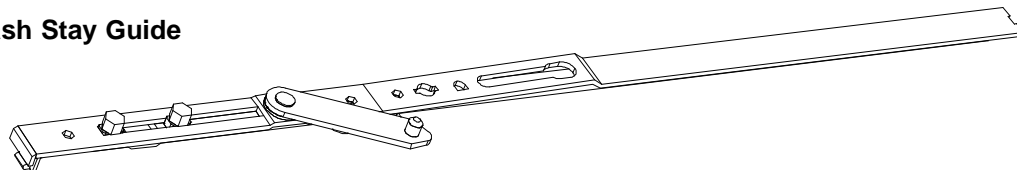


Sash OM Height		Handle Height	Model No.	Part No.
Measure from the Interior				
25 3/32"	or less	7 7/16"	R601B10	10815041
25 1/8"	-	11 1/8"	R601B20	10815042
33"	-	16 15/16"	R601B40	10815043
40 7/8"	-	20 15/16"	R601B50	10815044
48 3/4"	-	22 15/16"	R601B60	10815045
56 5/8"	-	22 15/16"	R601B70	10815046
64 1/2"	-	22 15/16"	R601B80	10815047
72 3/8"	-	44 9/16"	R602B10	10815048
80 1/4"	-	44 9/16"	R602B20	10815049
88 1/8"	-	44 9/16"	R602B30	10815050

Attached with #6x1 1/2" Phillips flathead wood screws.

Note: Handle height is measured from the bottom of the sash to the center of the espagnolette mechanism. In addition, if exact sash OM height is provided, the replacement espagnolette will be cut to the proper length.

Sash Stay Guide

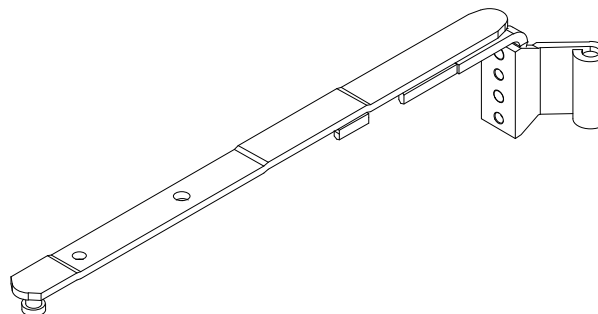


Sash OM Width		Model No.	Part No.	
Measured from the Interior				
25 1/2"	or less	F502A10	10815068	
25 17/32"	-	33 3/8"	F502A20	10815069
33 13/32"	-	41 1/4"	F502A30	10815070
41 9/32"	-	49 1/8"	F502A40	10815071
49 5/32"	-	57"	F502A50	10815072
57 1/32"	-	64 7/8"	F502A60	10815073

Attached with #6x 1 1/2" Phillips flathead wood screws

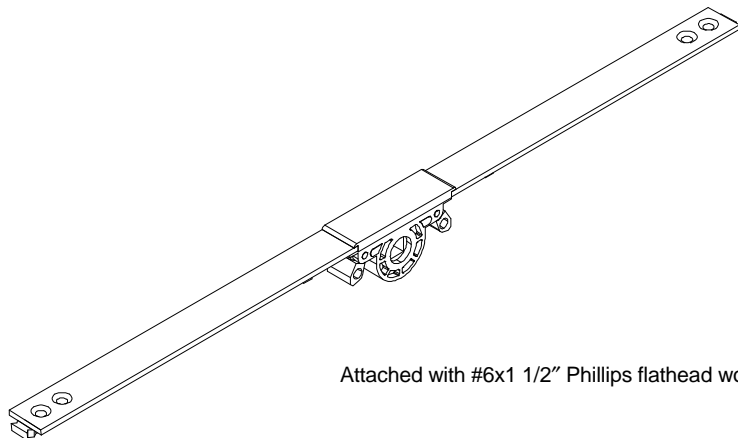
NOTE: If exact sash OM width is provided, the replacement sash stay guide will be cut to the proper length.

Top Hinge (Sash)



Sash OM Width		Model No.	Left Part No.	Right Part No.
Measured from the Interior				
25 1/2"	or less	F526A1200R/L	10815260	10815261
25 17/32"	-	33 3/8"	F526A1300R/L	10815262
33 13/32"	-	64 7/8"	F526A1500R/L	10815264

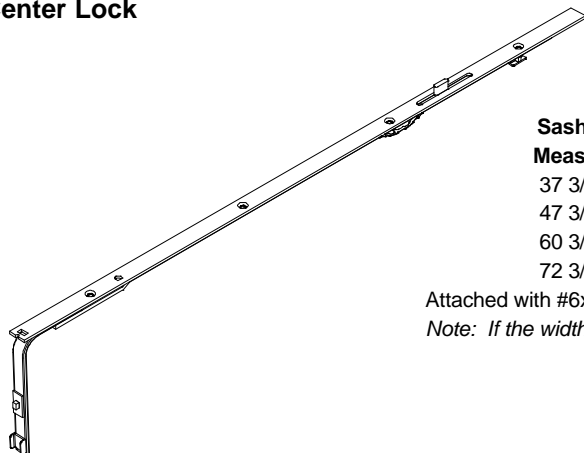
Variable Espagnolette (For Special Handle Height Only)



Model No.	Part No.
R610A05	10815051
R610C11	10815052
R610C21	10815053
R610C31	10815054
R610C41	10815055
R610C51	10815056

Attached with #6x1 1/2" Phillips flathead wood screws.

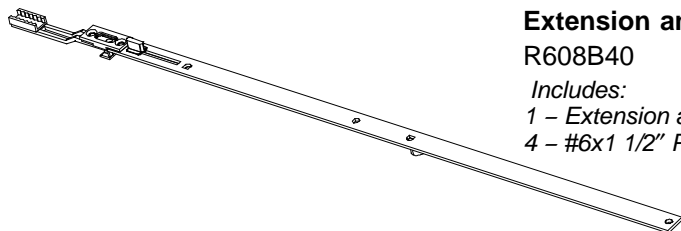
Center Lock



Sash OM Width or Height Measured from the Interior	Model No.	Part No.
37 3/16" – 47 5/32"	R605A10	10815105
47 3/16" – 60 5/32"	R605A20	10815106
60 3/16" – 72 5/32"	R605A30	10815107
72 3/16" – 95 3/16"	R605A40	10815108

Attached with #6x 1 1/2" Phillips flathead wood screws

Note: If the width or height of the unit is less than 40" no center lock is required on that side.



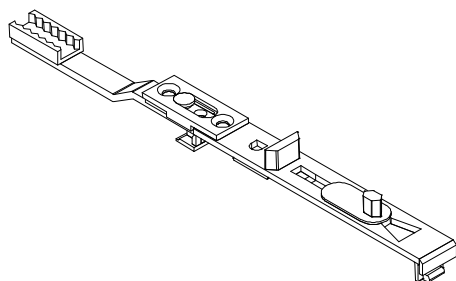
Extension and Lock

R608B40

10815172

Includes:

- 1 – Extension and lock
- 4 – #6x1 1/2" Phillips flathead wood screws



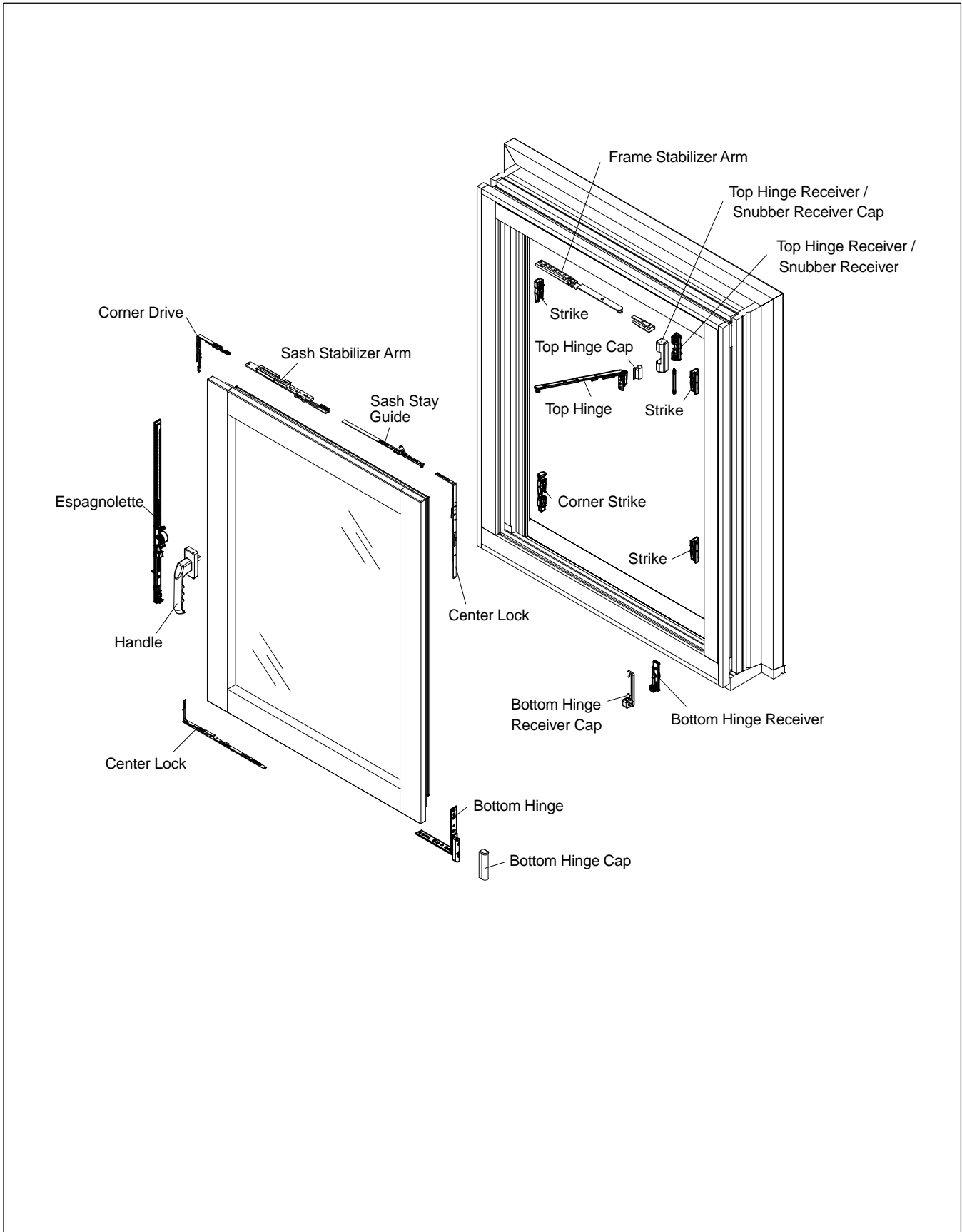
Bottom Extension

R610A02

10815058

Includes:

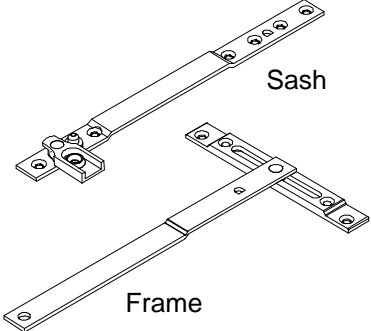
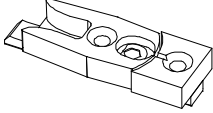
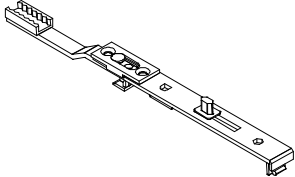
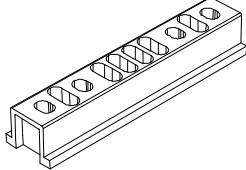
- 1 – Bottom extension
- 4 – #6x1" Phillips flathead wood screws



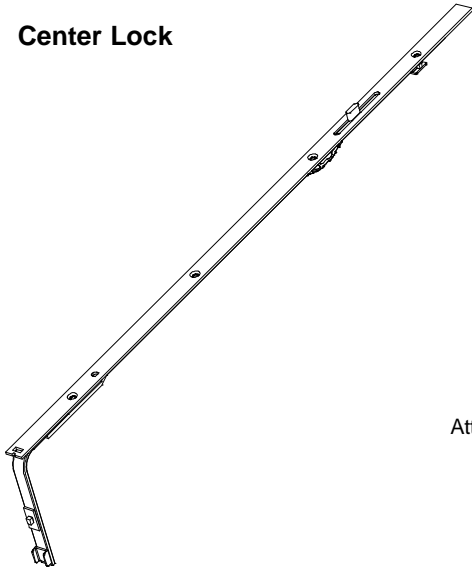
When ordering replacement Hopper parts specify:

1. type of unit;
2. part number;
3. description.

In most cases, Hopper hardware will feature model numbers stamped on individual parts. The fifth character of the model number indicates the series (example – M490A35). The newest series hardware is sent for replacement. All model numbers are for reference only, Marvin part numbers are required when ordering replacement parts.

ILLUSTRATION NOT TO SCALE	DESCRIPTION	OPER./ COLOR	PART NO.
 <p>Sash</p> <p>Frame</p>	<p>Sash Limiter Assembly F010D10</p> <p><i>Includes:</i></p> <ul style="list-style-type: none"> 1 – Sash limiter assembly 4 – #6x1 1/2" Phillips flathead wood screws (sash) 2 – #8x1 1/2" Phillips flathead wood screws (frame) 		10815176
	<p>Strike R604C51</p> <p><i>Includes:</i></p> <ul style="list-style-type: none"> 1 – Strike 2 – #8x1 1/2" Phillips flathead wood screws 		10815112
	<p>Top Corner Connector M720A11</p> <p><i>Includes:</i></p> <ul style="list-style-type: none"> 1 – Top corner connector 3 – #6x1 1/2" Phillips flathead wood screws 		10815202
	<p>Shim M490A38</p>		10815157

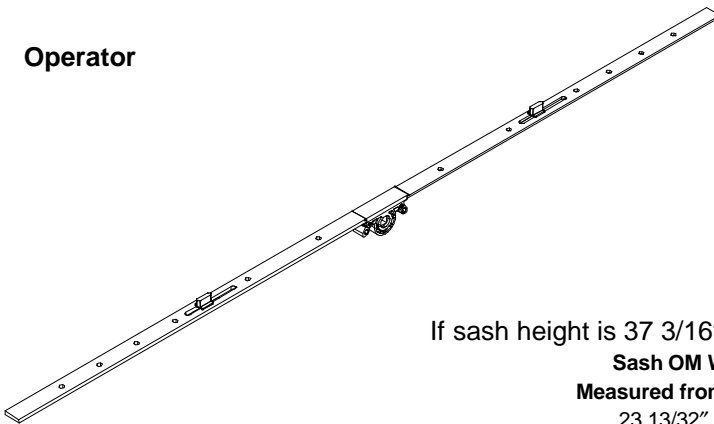
Center Lock



Sash OM Height Measured from the Interior		Model No.	Part No.
37 1/4"	– 40 3/16"	R605A10	10815105
40 1/4"	– 48 3/16"	R605A10	10815105
48 1/4"	– 52 3/16"	R605A20	10815106
52 1/4"	– 55 3/16"	R605A20	10815106
55 1/4"	– 59 3/16"	R605A20	10815106

Attached with #6x 1 1/2" Phillips flathead wood screws

Operator

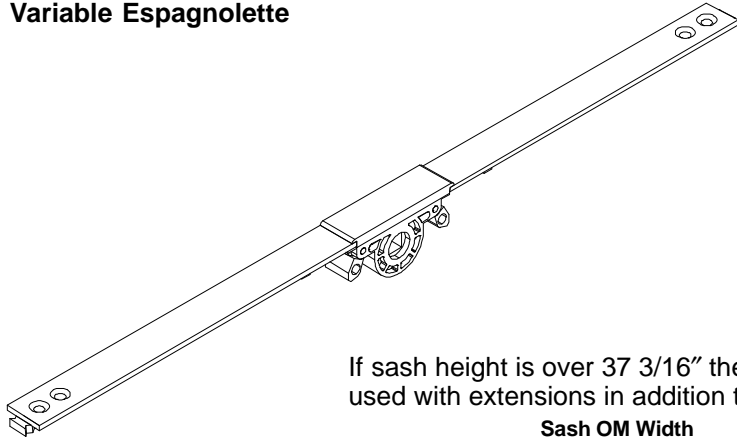


If sash height is 37 3/16" or less the following operators are used:

Sash OM Width Measured from the Interior		Model No.	Part No.
23 13/32"	or less	M500A90	10815303
23 7/16"	– 37 3/16"	M500A10	10815160
37 1/4"	– 42 11/16"	M500A20	10815161
42 3/4"	– 58 11/16"	M500A30	10815162
58 3/4"	– 69 3/16"	M500A40	10815163

Attached with #6x1 1/2" Phillips flathead wood screws

Variable Espagnolette



If sash height is over 37 3/16" the following variable espagnolettes are used with extensions in addition to side strikes and locks.

Sash OM Width	Model No.	Part No.
Measured from the Interior		
21 15/16" or less	R610A05	10815051
22" – 40 7/16"	R610C11	10815052
40 1/2" – 55 15/16"	R610C21	10815053
56" – 69 3/16"	R610C31	10815054

Attached with #6x1 1/2" Phillips flathead wood screws.

When ordering replacement Inswing Casement parts specify:

1. type of unit;
2. part number;
3. description.

In most cases, Inswing Casement hardware will feature model numbers stamped on individual parts. The fifth character of the model number indicates the series (example – M490B31). The newest series hardware is sent for replacement. All model numbers are for reference only, Marvin part numbers are required when ordering replacement parts.

NOTE: Always determine handing of parts with Marvin standard, as viewed from the exterior (Hinged side). Vendor numbers provided view handing from interior. DO NOT SPECIFY USING VENDOR METHOD.

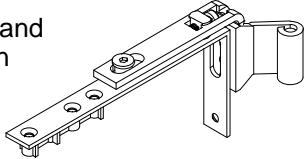
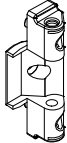

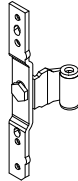
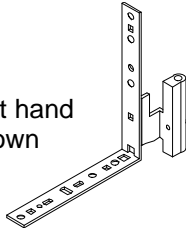
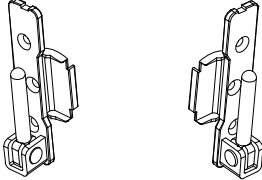
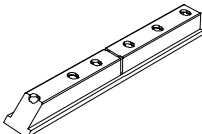
ILLUSTRATION NOT TO SCALE	DESCRIPTION	OPER./ COLOR	PART NO.
 <p>Left hand shown</p>	<p>Top Hinge (Sash) N612A0320R N612A0320L</p> <p><i>Includes:</i> 1 – Top hinge 5 – #6x1 1/2" Phillips flathead wood screws</p>	<p>LH RH</p>	<p>10815274 10815275</p>
	<p>Top and Center Hinge Receiver (Frame) N390A302</p> <p><i>Includes:</i> 1 – Top hinge receiver 3 – #8x1 1/2" Phillips flathead wood screws</p>		<p>10815266</p>
	<p>Hinge Receiver Pin (Frame) F710D52</p>		<p>10815267</p>
	<p>Center Hinge (Sash) N612A0360</p> <p><i>Includes:</i> 2 – M490A38 spacers</p>		<p>10815276</p>
 <p>Left hand shown</p>	<p>Bottom Hinge (Sash) N512A0310R N512A0310L</p> <p><i>Includes:</i> 1 – Bottom hinge 6 – #6x1 1/2" Phillips flathead wood screws 1 – #8x1 1/2" Phillips flathead wood screw</p>	<p>LH RH</p>	<p>10815268 10815269</p>
 <p>Right Hand Left Hand</p>	<p>Bottom Hinge Receiver (Frame) N512A0301R N512A0301L</p> <p><i>Includes:</i> 1 – Bottom hinge receiver 3 – #8x1 1/2" Phillips flathead wood screws</p>	<p>LH RH</p>	<p>10815270 10815271</p>
	<p>Spacer R600B43</p>		<p>10815095</p>

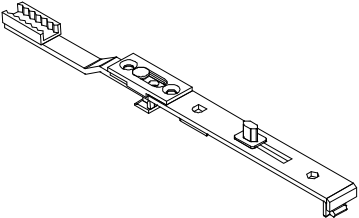
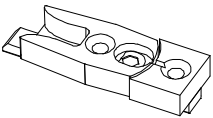
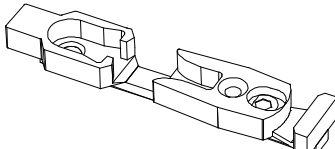
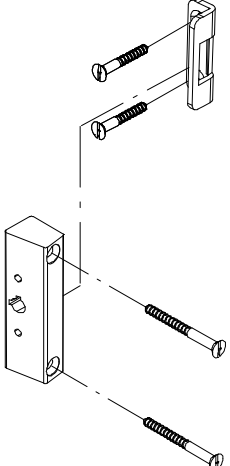

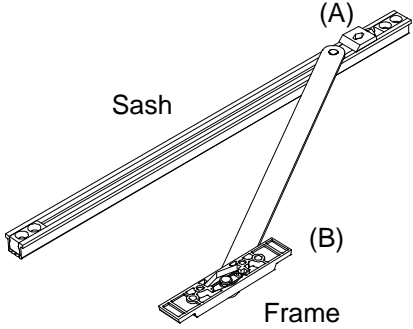
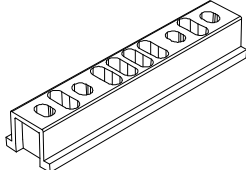
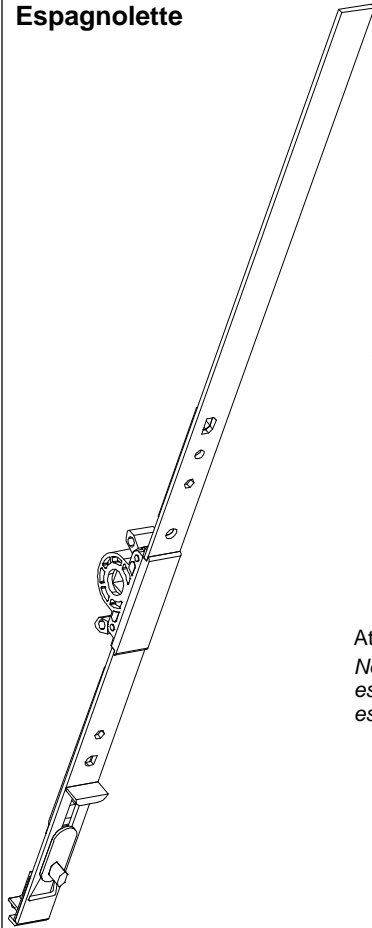
ILLUSTRATION NOT TO SCALE	DESCRIPTION	OPER./ COLOR	PART NO.
	<p>Top Corner Connector M720A11 <i>Includes:</i> 1 – Top corner connector 3 – #6x1 1/2" Phillips flathead wood screws</p>		10815202
	<p>Strike R604C51 <i>Includes:</i> 1 – Strike 2 – #8x1 1/2" Phillips flathead wood screws</p>		10815112
	<p>Strike, Corner R604C52 <i>Includes:</i> 1 – Strike 2 – #8x1 1/2" Phillips flathead wood screws</p>		10815111
	<p>Security Lock M811A29 M811A20 <i>Includes:</i> 1 – Lock with strike 2 – #7x1" slotted flathead screws (strike) 2 – #7x1 1/2" slotted flathead screws (lock)</p>	WH YZD	10815120 10815125
	<p>Security Key</p>	WH YZD	10815127 10815126

ILLUSTRATION NOT TO SCALE	DESCRIPTION	OPER./ COLOR	PART NO.
 <p>Sash</p> <p>(A)</p> <p>(B)</p> <p>Frame</p>	<p>Friction Limiter Assembly</p> <p>Sash (A) K011B204 Used when daylight opening of the unit is 13 7/8" to 15".</p> <p>K011A25 Used when daylight opening of the unit is over 15".</p> <p>Frame (B) Friction Bearing Stop KO11A11</p> <p>NOTE: Spacer 10815171 is used with friction assembly and should also be ordered.</p> <p><i>Includes:</i> 1 - Friction limiter assembly 4 - #8x1 1/2" Phillips flathead wood screws (frame) 4 - #6x1 1/2" Phillips flathead wood screws (sash)</p>		<p>10815302</p> <p>10815169</p> <p>10815168</p>
	<p>Shim M490A38</p>		<p>10815157</p>

Espagnolette

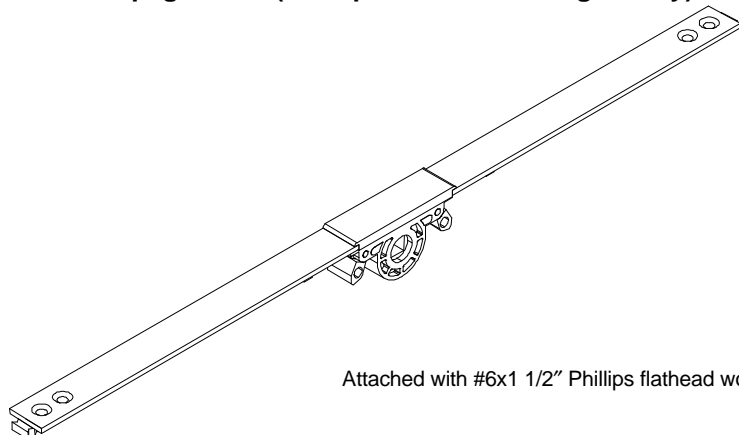


Sash OM Height		Handle Height	Model No.	Part No.
Measure from the Interior				
25 3/32"	or less	7 7/16"	R601B10	10815041
25 1/8"	-	11 1/8"	R601B20	10815042
33"	-	16 15/16"	R601B40	10815043
40 7/8"	-	20 15/16"	R601B50	10815044
48 3/4"	-	22 15/16"	R601B60	10815045
56 5/8"	-	22 15/16"	R601B70	10815046
64 1/2"	-	22 15/16"	R601B80	10815047
72 3/8"	-	44 9/16"	R602B10	10815048
80 1/4"	-	44 9/16"	R602B20	10815049
88 1/8"	-	44 9/16"	R602B30	10815050

Attached with #6x1 1/2" Phillips flathead wood screws.

Note: Handle height is measured from the bottom of the sash to the center of the espagnolette mechanism. In addition, if exact sash OM height is provided, the replacement espagnolette will be cut to the proper length.

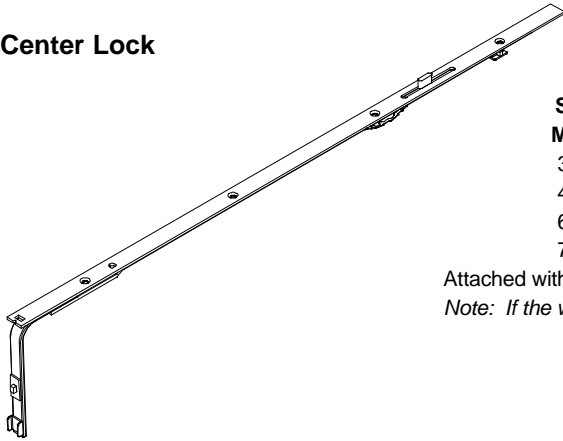
Variable Espagnolette (For Special Handle Height Only)



Model No.	Part No.
R610A05	10815051
R610C11	10815052
R610C21	10815053
R610C31	10815054
R610C41	10815055
R610C51	10815056

Attached with #6x1 1/2" Phillips flathead wood screws.

Center Lock



**Sash OM Width or Height
 Measured from the Interior**

37 3/16"	–	47 5/32"
47 3/16"	–	60 5/32"
60 3/16"	–	72 5/32"
72 3/16"	–	95 3/16"

Model No.	Part No.
R605A10	10815105
R605A20	10815106
R605A30	10815107
R605A40	10815108

Attached with #6x1 1/2" Phillips flathead wood screws

Note: If the width or height of the unit is greater than 40' a center lock is required.

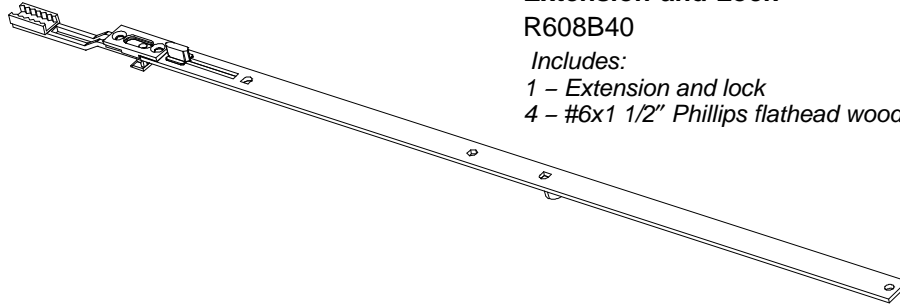
Extension and Lock

R608B40

10815172

Includes:

- 1 – Extension and lock
- 4 – #6x1 1/2" Phillips flathead wood screws



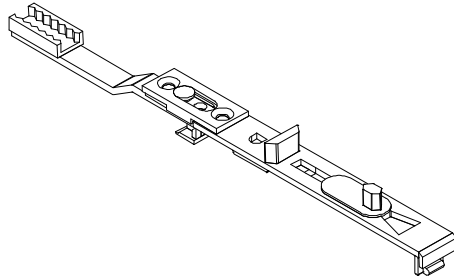
Bottom Extension

R610A02

10815058

Includes:

- 1 – Bottom extension
- 4 – #6x1" Phillips flathead wood screws

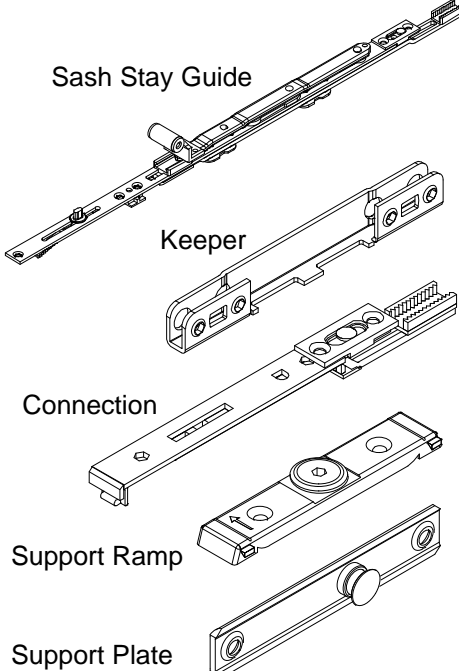
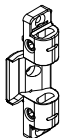
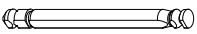
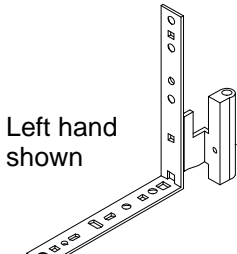


When ordering replacement Round Top Tilt-Turn parts specify:

1. type of unit;
2. part number;
3. description.

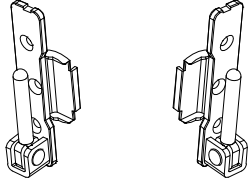
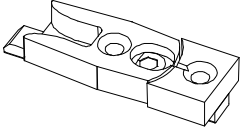
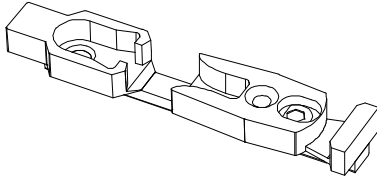
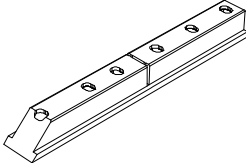
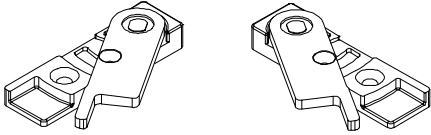
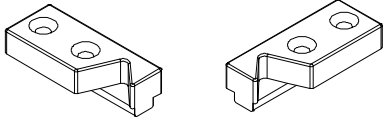
In most cases, Round Top Tilt-Turn hardware will feature model numbers stamped on individual parts. The fifth character of the model number indicates the series (example – R608C02). The newest series hardware will be sent for replacement. All model numbers are for reference only, Marvin part numbers are required when ordering replacement parts.

NOTE: Always determine handing of parts with Marvin standard, as viewed from the exterior (Hinged side). Vendor numbers provided view handing from interior. DO NOT SPECIFY USING VENDOR METHOD.

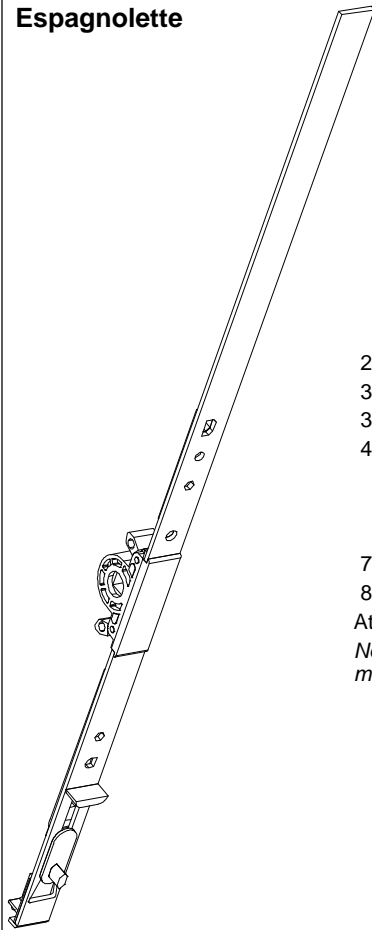
ILLUSTRATION NOT TO SCALE	DESCRIPTION	OPER./ COLOR	PART NO.
 <p>Sash Stay Guide</p> <p>Keeper</p> <p>Connection</p> <p>Support Ramp</p> <p>Support Plate</p>	<p>Round Top Tilt-Turn Hardware R608A08</p> <p><i>Includes:</i></p> <ul style="list-style-type: none"> 1 – Sash stay guide 1 – Keeper 1 – Connection 1 – Support ramp 1 – Support plate 13 – #6x1 1/2" Phillips flathead wood screws (sash stay guide and connection) 2 – #8x1 1/2" Phillips flathead wood screws (support ramp) <p>NOTE: Individual parts not available as separate items.</p>		10815272
	<p>Top Hinge Receiver (Frame) N390A034</p> <p><i>Includes:</i></p> <ul style="list-style-type: none"> 1 – Top hinge receiver 3 – #8x1 1/2" Phillips flathead wood screws 		10815273
	<p>Top Hinge Receiver Pin F710D52</p>		10815267
 <p>Left hand shown</p>	<p>Bottom Hinge (Sash) N512A0310R N512A0310L</p> <p><i>Includes:</i></p> <ul style="list-style-type: none"> 1 – Bottom hinge 6 – #6x1 1/2" Phillips flathead wood screws 1 – #8x1 1/2" Phillips flathead wood screw 	LH RH	10815268 10815269

ROUND TOP TILT-TURN
OBSOLETE PARTS

NOTE: Always determine handing of parts with Marvin standard, as viewed from the exterior (Hinged side). Vendor numbers provided view handing from interior. **DO NOT SPECIFY USING VENDOR METHOD.**

ILLUSTRATION NOT TO SCALE	DESCRIPTION	OPER./ COLOR	PART NO.
 <p>Right Hand Left Hand</p>	<p>Bottom Hinge Receiver (Frame) N512A0301R N512A0301L Includes: 1 – Bottom hinge receiver 3 – #8x1 1/2" Phillips flathead wood screws</p>	<p>LH RH</p>	<p>10815270 10815271</p>
	<p>Strike R604C51 Includes: 1 – Strike 2 – #8x1 1/2" Phillips flathead wood screws</p>		<p>10815112</p>
	<p>Strike, Corner R604C52 Includes: 1 – Strike 2 – #8x1 1/2" Phillips flathead wood screws</p>		<p>10815111</p>
	<p>Spacer R600B43</p>		<p>10815095</p>
 <p>Right Hand Left Hand</p>	<p>Safety Device, Sash M803A00R M803A00L Includes: 1 – Safety device 1 – #6 x 1 1/2" Phillips flathead wood screws</p>	<p>LH RH</p>	<p>10815182 10815181</p>
 <p>Right Hand Left Hand</p>	<p>Safety Device Spacer, Frame M802A95R M802A95L Includes: 1 – Spacer 2 – #8 x 1 1/2" Phillips flathead wood screws</p>	<p>LH RH</p>	<p>10815184 10815183</p>

Espagnolette

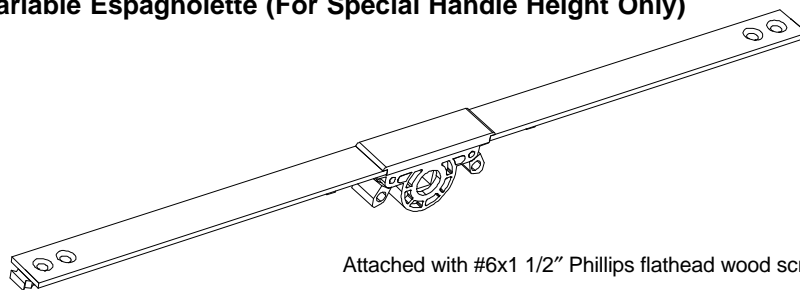


Bottom of Sash to Springline		Handle Height	Model No.	Part No.
23 7/8"	or less	7 7/16"	R601B10	10815041
23 29/32"	-	11 1/8"	R601B20	10815042
31 21/32"	-	16 15/16"	R601B40	10815043
39 17/32"	-	20 15/16"	R601B50	10815044
47 21/32"	-	22 15/16"	R601B60	10815045
55 9/32"	-	22 15/16"	R601B70	10815046
63 5/32"	-	22 15/16"	R601B80	10815047
71 1/32"	-	44 9/16"	R602B10	10815048
78 17/32"	-	44 9/16"	R602B20	10815049
86 17/32"	-	44 9/16"	R602B30	10815050

Attached with #6x1 1/2" Phillips flathead wood screws.

Note: Handle height is measured from the bottom of the sash to the center of the espagnolette mechanism.

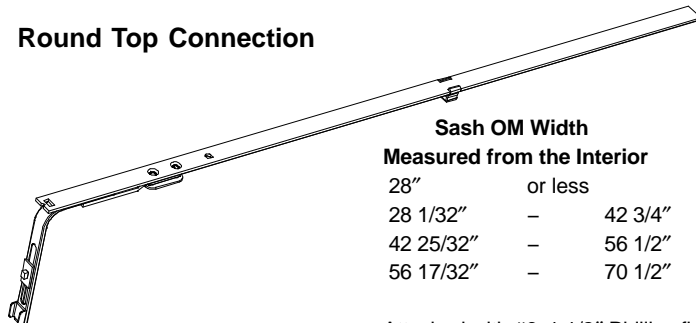
Variable Espagnolette (For Special Handle Height Only)



Model No.	Part No.
R610A05	10815051
R610C11	10815052
R610C21	10815053
R610C31	10815054
R610C41	10815055
R610C51	10815056

Attached with #6x1 1/2" Phillips flathead wood screws.

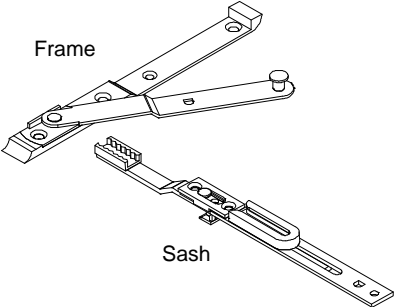
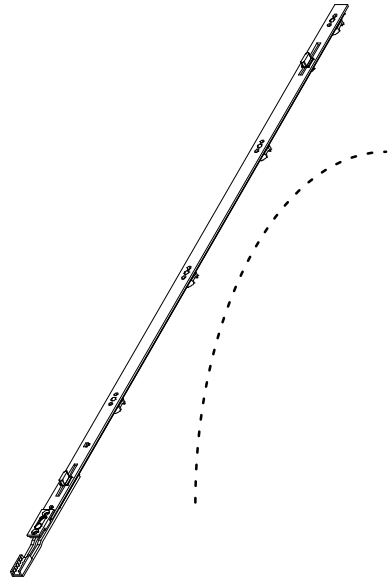
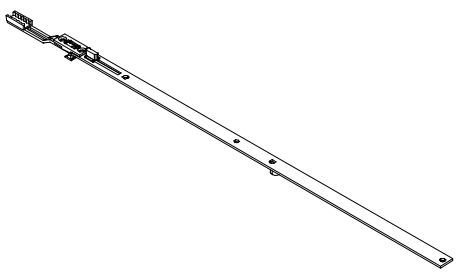
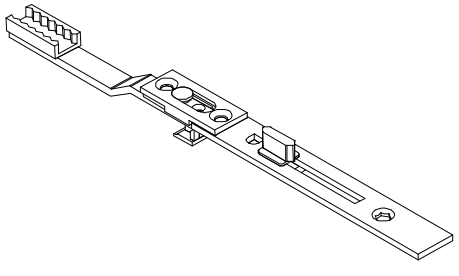
Round Top Connection



Sash OM Width Measured from the Interior		Bottom of Sash to Springline	Model No.	Part No.
28"	or less	36" or less	R608A72	10815151
28 1/32"	-	42 3/4"	R608A73	10815152
42 25/32"	-	48 1/32"	R608A74	10815153
56 17/32"	-	62 1/32"	R608A75	10815154
		75 1/2"		

Attached with #6x1 1/2" Phillips flathead wood screws.

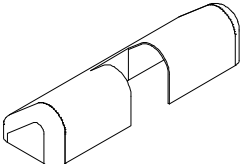
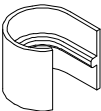
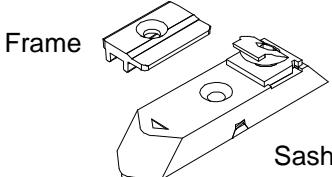
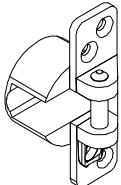
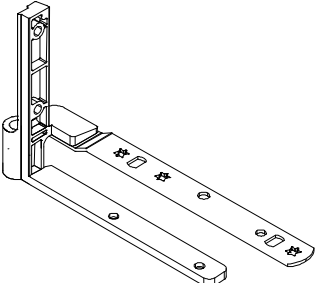
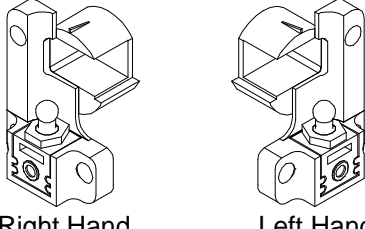
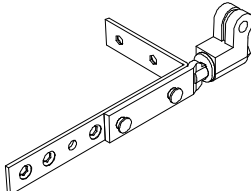
Note: Units with a sash springline over 75 1/2" require Extension and Lock 10815172.

ILLUSTRATION NOT TO SCALE	DESCRIPTION	OPER./ COLOR	PART NO.
 <p>Frame</p> <p>Sash</p>	<p>Round Top Stabilizer Arm Assembly R608C60</p> <p><i>Includes:</i></p> <ul style="list-style-type: none"> 1 – Stabilizer arm assembly 3 – #6x1 1/2" Phillips flathead wood screws (sash) 4 – #8x1 1/2" Phillips flathead wood screws (frame) 		10815223
	<p>Round Top Arch Lock R608A10</p> <p><i>Includes:</i></p> <ul style="list-style-type: none"> 1 – Arch lock 11 – #6x1 1/2" Phillips flathead wood screws <p>NOTE: Frame must have 20" minimum radius for application. Lock must be formed to unit radius in the field.</p>		10815165
	<p>Extension and Lock R608B40</p> <p><i>Includes:</i></p> <ul style="list-style-type: none"> 1 – Extension and lock 4 – #6x1 1/2" Phillips flathead wood screws 		10815172
	<p>Round Top Upper Lock R608B20</p> <p><i>Includes:</i></p> <ul style="list-style-type: none"> 1 – Extension and lock 4 – #6x1 1/2" Phillips flathead wood screws <p>NOTE: Frame must have less than 20" radius for application.</p>		10815164

OBSOLETE MISCELLANEOUS PARTS

Obsolete parts are subject to availability.

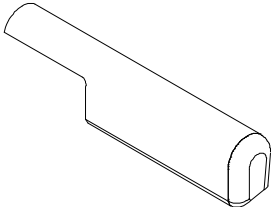
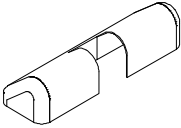
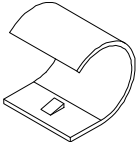
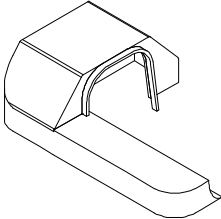
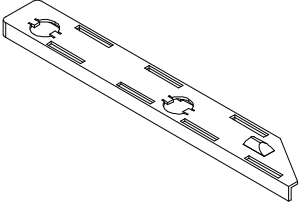
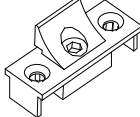
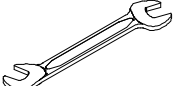
NOTE: Always determine handing of parts with Marvin standard, as viewed from the exterior (Hinged side). Vendor numbers provided view handing from interior. **DO NOT SPECIFY USING VENDOR METHOD.**

ILLUSTRATION NOT TO SCALE	DESCRIPTION	OPER./COLO R	PART NO.
	Top Hinge Cap (Frame) <i>Used up to 10/97</i> Overall width 2 13/16" (71)	WH BN	10815320 10815322
	Top Hinge Cap (Frame) <i>Used up to 10/97</i>	WH BN	NA
	Round Top Tilt-Turn Safety Device R609A20 <i>Includes:</i> 1 - Safety device 2 - #6x1 1/2" Phillips flathead wood screws		NA
	Top Hinge Receiver (Frame) <i>Used up to 1/26/00</i> M490B32 <i>Includes:</i> 1 - Top hinge receiver 4 - #8x1 1/2" Phillips flathead wood screws		10815156
	Bottom Hinge (Sash) <i>Used up to 1/26/00</i> R600C61R R600C61L <i>Includes:</i> 1 - Bottom hinge 3 - #6x1 1/2" Phillips flathead wood screws 4 - #8x1 1/2" Phillips flathead wood screws	LH RH	10815215 10815217
	Bottom Hinge Receiver (Frame) <i>Used up to 1/26/00</i> R600B62R R600B62L <i>Includes:</i> 1 - Bottom hinge receiver 3 - #8x1 1/2" Phillips flathead wood screws	LH RH	NA 10815218
	Top Hinge (Sash) <i>Used up to 1/26/00</i> M490B31 <i>Includes:</i> 1 - Top hinge 5 - #6x1 1/2" Phillips flathead wood screws		10815155

OBSOLETE MISCELLANEOUS PARTS

Obsolete parts are subject to availability.

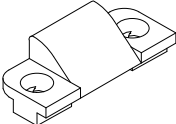
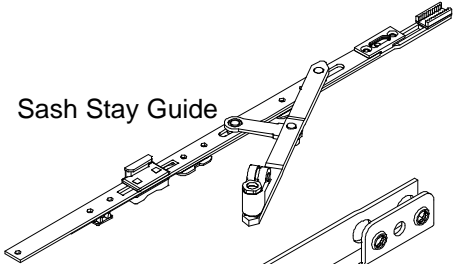
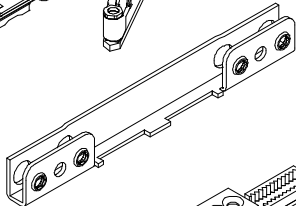
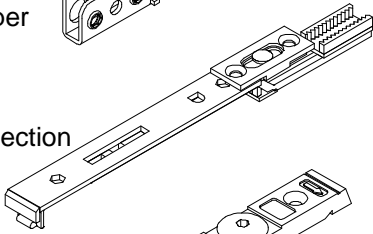
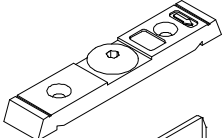
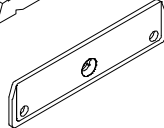
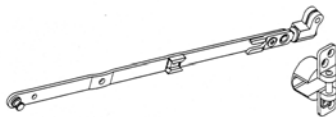
NOTE: Always determine handing of parts with Marvin standard, as viewed from the exterior (Hinged side). Vendor numbers provided view handing from interior. **DO NOT SPECIFY USING VENDOR METHOD.**

ILLUSTRATION NOT TO SCALE	DESCRIPTION	OPER./ COLOR	PART NO.
	Vertical Bottom Hinge Cap (Sash) <i>Used up to 1/26/00</i>	LH WH RH WH LH BN RH BN	10815331 10815330 10815337 10815336
	Top Hinge Cap (Frame) <i>Used from 10/97 – 1/26/00</i> Overall width 2 3/8" (60)	WH BN	NA 10815318
	Top Hinge Cap (Frame) <i>Used from 10/97 – 1/26/00</i>	WH BN	10815317 NA
	Bottom Hinge Cap (Frame) <i>Used up to 1/26/00</i>	LH WH RH WH LH BN RH BN	N/A 10815334 10815341 10815340
	Horizontal Bottom Hinge Cap (Sash) <i>Used up to 1/26/00</i>	LH WH RH WH LH BN RH BN	10815333 10815332 10815339 10815338
	Snubber (Sash), Inswing Casement <i>Used from 10/97 – 9/00</i> M490A35 Hopper		NA
	Adjustment Wrench 13mm		NA

OBSOLETE MISCELLANEOUS PARTS

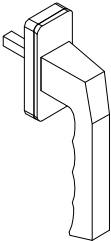
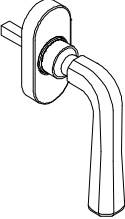
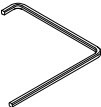
Obsolete parts are subject to availability.

NOTE: Always determine handing of parts with Marvin standard, as viewed from the exterior (Hinged side). Vendor numbers provided view handing from interior. **DO NOT SPECIFY USING VENDOR METHOD.**

	<p>Snubber (Frame), Inswing Casement Used from 10/97 – 9/00 M490A36 Hopper</p>		<p>NA</p>
<p>Sash Stay Guide</p>  <p>Keeper</p>  <p>Connection</p>  <p>Support Ramp</p>  <p>Support Plate</p> 	<p>Round Top Tilt-Turn Hardware R608A08</p> <p><i>Includes:</i></p> <ul style="list-style-type: none"> 1 – Sash stay guide 1 – Keeper 1 – Connection 1 – Support ramp 1 – Support plate <p>13 – #6x1 1/2" Phillips flathead wood screws (sash stay guide and connection)</p> <p>2 – #8x1 1/2" Phillips flathead wood screws (support ramp)</p> <p>NOTE: Individual parts not available as separate items.</p>		<p>10815166 Check availability</p>
	<p>Top Hinge, Complete (Frame) Sash OM width Measured from the interior</p> <p>25 1/2" or less 25 17/32" – 33 3/8" 33 13/32" – 49 1/8" 49 5/32" – 64 7/8"</p> <p>Attached with #8x 1 1/2" Phillips flathead wood screws</p>	<p>F507B10 F507B20 X516B30 F507B40</p>	<p>Check availability</p> <p>10815078 10815079 10815080 10815081</p>

Obsolete parts are subject to availability.

NOTE: Since the vendor determines handing from the interior, some parts may be stamped with an "L" or "R." **For Marvin handing identification**, an "L" will mean right hand and an "R" will mean left hand. **DO NOT SPECIFY USING VENDOR METHOD.**

	<p>Pistol Grip Handle</p> <p><i>Includes:</i> 1 – Pistol grip handle 1 – Installation package with #5x35mm machine screws</p> <p>NOTE: Handle style may vary depending on current stock.</p>	GD	NA
	<p>Designer Handle</p> <p><i>Includes:</i> 1 – Designer handle 1 – Installation package with #5x35mm machine screws</p> <p>NOTE: Handle style may vary depending on current stock.</p>	BS	NA
	<p>4 mm Allen Wrench</p>		10815231

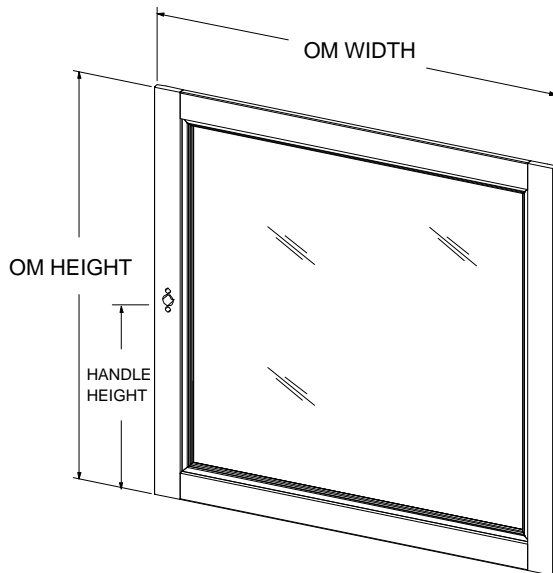
OBSOLETE SASH REPLACEMENT

ORDERING REPLACEMENT OPERATOR OR STATIONARY SASH FOR TILT-TURN, HOPPER AND INSWING CASEMENT

NOTE: This information is for sash produced prior to 6/06/2006.

To order replacement operating or stationary sash specify:

1. size (call number or OM of sash);
2. operation and handing;
3. glazing;
4. finish;
5. handle height (if other than standard);



Interior View

Sash OM Height		Handle Height
Measure from the Interior		
25 3/32"	or less	7 7/16"
25 1/8"	-	11 1/8"
33"	-	16 15/16"
40 7/8"	-	20 15/16"
48 3/4"	-	22 15/16"
56 5/8"	-	22 15/16"
64 1/2"	-	22 15/16"
72 3/8"	-	44 9/16"
80 1/4"	-	44 9/16"
88 1/8"	-	44 9/16"

Note: Handle height is measured from the bottom of the sash to the center of the espagnolette mechanism.