

STORMPLUS

Table of Contents

	PAGE
History	2
Casemaster	4
Awning	8
Ultimate Casement	9
Ultimate Double Hung	10
Ultimate Double Hung Next Generation	12
Ultimate Inswing French Door	13
Ultimate Outswing French Door	14
Sliding French Door	17
Installation Accessories	20

ATTENTION:

- Specification and technical data are subject to change without notice.
- Numbers listed in parentheses () are metric equivalents in millimeters rounded to the nearest whole number.

DATE	PRODUCT	DESCRIPTION OF CHANGE / NEW PRODUCT
4/30/2001	SP Dade	Impact resistant Clad Ultimate Outswing French Door added to Storm Plus Dade.
8/19/2002	SP NY	Introduced Wood Ultimate Double Hung to Storm Plus NY.
11/12/2002	SP NY	Marvin now offers Wood and Clad Ultimate Double Hung, Wood Ultimate Double Hung Picture/Transom, and Wood Direct Glaze units. (Product bulletin #307)
12/9/2002	SP NY	StormPlus NY expands product lines to include Wood and Clad Ultimate Outswing French Doors, Clad Ultimate Double Hung Transom, Clad Direct Glaze Rectangles/Polygons/Round Tops, and Wood and Clad Casemaster operators. (Product bulletin #309)
12/30/2002	SP NY	StormPlus NY expands product lines to include Wood and Clad Ultimate Inswing French Doors, Wood and Clad Sliding French Door, Wood and Clad Awning operators, Wood and Clad Casemaster/Awning stationary and picture units, Clad Ultimate Double Hung Picture units. (Product bulletin #309)
7/7/2003	All	Naming convention changed: Storm Plus NY is now Storm Plus IZ2, StormPlus Dade is now Storm Plus IZ4, StormPlus HP name remains the same.
8/18/2003	IZ3	Introduction of Storm Plus IZ3 products. Products include wood and clad Casemasters and Awnings, Clad Direct glaze Polygons, Rectangles and Round Tops, and Clad Ultimate Outswing French Doors in stationary or one and two panel operating configurations. (Product bulletin #325)
9/29/2003	IZ3	Marvin Stormplus IZ3 line expands to include RTs/Polys/Sidelites/more. (Product bulletin #328)
10/24/2003	HP SFD	Storm Plus HP Clad Sliding French Door retired. (Product bulletin #327)
10/27/2003	IZ3	Expanded IZ3 to include Clad and Wood Ultimate Double Hung/Round Top/Poly/Transom, Clad an Ultimate Outswing French Door, Clad and Wood Sliding French Door. (Product bulletin #330)
11/10/2003	IZ3	Expanded IZ3 to include Clad and Wood Ultimate Double Hung Picture/Round Top/Polygon, Clad and Wood UIFD Sidelite/Transom (Product bulletin #330)
9/2/2004	UDH IZ3	UDH 1" wide mullions offered for side-by-side assemblies, wood or clad. Factory applied or field installed.
2/14/2005	CM IZ4	Started producing CCM IZ4; added 3rd lock to units taller than CN48 in order to receive higher design pressures. (Product bulletin #360)
3/14/2005	CM IZ3	Expanded CM IZ3 size offering to CN 3672 Units wider than CN28 will auto. receive a sash limit device.
6/27/2005	Doors, IZ3	Introduced 2 1/4" Panel doors for IZ3. 2 1/4" Door expands configurations, features and options.
9/6/2005	Doors, IZ4	Introduced 2 1/4" Panel doors for IZ4.
7/24/2006	WUDH IZ2	Discontinued WUDH Picture and Transom IZ2 units. (Incorporated into IZ3 line)
10/6/2006	IZ2 DG	Discontinued WDG Rectangle, Polygon, & RT IZ2 units. (Incorporated into IZ3 line)
11/14/2006	CUDH IZ3	Eliminated screws through interior stops, added brackets to top rail Vinyl partstop w/s is cut into short pieces to fit between brackets.
	CUDH IZ2	Discontinued CUDHP IZ2 units.
3/16/2007	Doors, IZ4	Introduced Mahogany WUOFD IZ4.
3/26/2007	CM IZ2 and IZ3	New Hinge Limiter option, allows unit to open 75 degrees to meet egress. Old limiter still available, 20 degree.
5/23/2007	CUOFD IZ4	IZ4 glass now has the SGP interlayer. LVL stiles and the current IZ3 sill backer plate will replace FRP/locking stiles and "C" shaped sill backer plate.

DATE	PRODUCT	DESCRIPTION OF CHANGE / NEW PRODUCT
03/23/2009	CM IZ4	CCM and CAWN IZ4 changed from cam lock style to sequential locking system.
07/27/2009	UCA	CUCA and WUCA IZ3 released.
04/26/2010	UAWN	CUAWN and WUAWN IZ3 released.
10/25/2010	Doors, IZ2	All IZ2 doors now obsolete.
04/25/2011	All	White painted interior finish option introduced for all product.
01/23/2012	Clad Ultimate Double Hung	Redesign of the Clad Ultimate Double Hung IZ3. Added new IZ3 tilt pin, sill bracket, top and bottom sash interlock and a new checkrail profile.
01/30/2012	Clad Ultimate Double Hung	Clad Ultimate Double Hung IZ2 was discontinued.
04/30/2012	Wood Ultimate Double Hung	Wood Ultimate Double Hung IZ2 was discontinued and IZ3 redesigned with the same modifications as CUDH
2012	Ultimate Outswing French Door, IZ4	2012-07-30 Added Panel Drip Kit for IZ4 Ultimate Outswing French Door.
	All	2012-12-17 Clear interior finish option introduced for all products.
2013	All	04/29/2013 Introduced interior stain options. Stain colors are Wheat, Honey, Leather, Hazelnut, Cabernet and Espresso.
10/28/2013	CUPCA	CUPCA IZ3 released.
2014	Ultimate Outswing French Door, IZ4	8/25/2014 Panel drip (A2408) will now match clad color. Screws will match standard clad colors. For Custom Color Clad, screws will be stainless steel.
01/21/15	CUDH-NG, RT CUDH-NG	Clad Ultimate Double Hung Next Gen and Clad Roundtop Ultimate Double Hung Next Gen IZ3 released.
06/29/15	CM/UCA/OFD & CDG	Casemaster IZ4 SG products obsolete. Replaced with UCA IG product for all IZ4. All products changed from SG to IG.
08/24/15	CSFD	Clad Sliding French Door OXXO IZ3/HP released and Clad Sliding French Door OX and XO HP released.
10/26/15	CSFD	Clad Sliding French Door 3 panel IZ3/HP released.
10/26/15	CMSD	Clad Multi Slide Door IZ3/HP released
10/30/2017	CM IZ	Started discontinuation of CM IZ parts

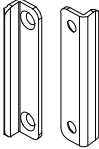
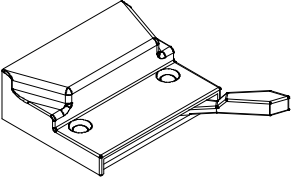
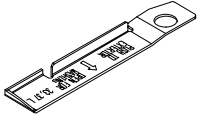
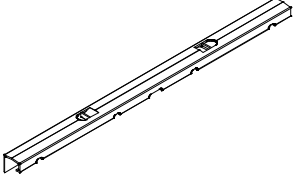
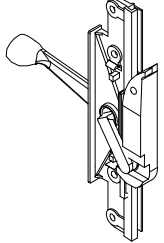
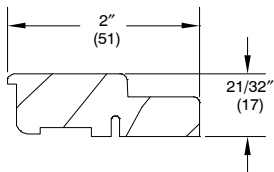
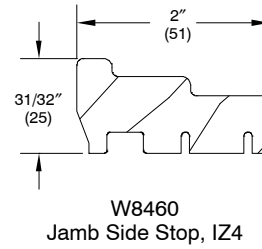
ILLUSTRATION NOT TO SCALE	DESCRIPTION	COLOR	PART NO.
	<p>Snubber, Concealed Wood Casemaster 2 per package <i>Includes:</i> 2 – Snubbers 10899110 2 – #7x5/8" Phillips flat head wood screws (11800736) 2 – #8x1" Phillips flat head wood screws (11800805)</p>		11873197
	<p>Snubber, Concealed Clad Casemaster 2 per package <i>Includes:</i> 2 – Snubbers 10899110 2 – #7x1/2" Phillips flat head screws (11800753) 2 – #8x1" Phillips flat head wood screws (11800805)</p>		11873295
	<p>Cam Lock WCM IZ4 <i>Includes:</i> 1 – Cam Lock 2 – #8 x 1 1/2" Phillips flat head self-tapping screws BZ (11881117) BS (11881112) WH (11881118) TP (11881116)</p>	<p>BZ WH BS TP</p>	<p>10814904 10814905 10814906 10814907</p>
 <p>Note: Left hand shown</p>	<p>Hinge Limiter</p>	<p>LH RH</p>	<p>11862602 11862601</p>

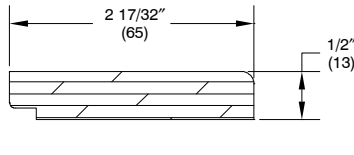
ILLUSTRATION NOT TO SCALE	DESCRIPTION	OPER. COLOR	PART NO.
	RTCM Sash Limiter 20 Degree IZ3	E-Guard Corr. Resistant	10830707 10830708
 LH Shown	Sequential Lock, Primary Primary cam included IZ2, IZ3, IZ4 <i>Includes:</i> 1 – Primary sequential lock with primary cam 3 – #8x1" Phillips pan head wood screws (11808100)	LH WH RH WH LH BZ RH BZ LH TP RH TP Cam Only LH Cam Only RH	10816110 10816111 10816112 10816113 10816114 10816115 10816116 10816117

CURRENT REPLACEMENT WOOD AND VINYL PARTS

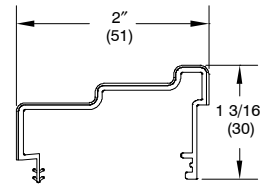
StormPlus	Clad	Wood
Jamb Side Stop, IZ4	W8460	W8460
Jamb Side Stop, IZ2, IZ3	V1162	V1162
RT/Poly Stat Sash Stop, IZ4	W8462	W8462
Jamb Frame Filler, IZ4	W7686	
HJ Filler, IZ4	W7676	
Hardware Cover	W8459	W8459
HJ Stop, Operator	W8461	W8461
Sill Cover, Stat	W8723	W8723
HJ Stop, Stat	W7001	W7001
Jamb Stop, Stat	W7015	W7015



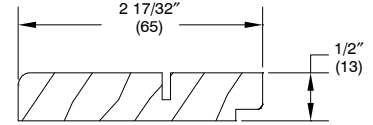
W8462
 CMRT/Poly Stat
 Sash Stop, IZ4



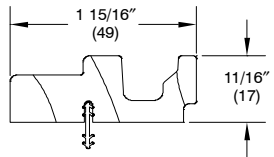
W7676
 HJ Filler, IZ4



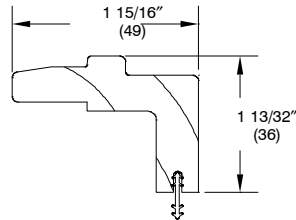
V1162
 Jamb Side Stop, IZ2, IZ3



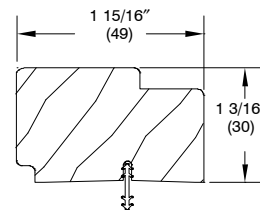
W7686
 Jamb Frame Filler, IZ4



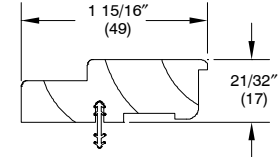
W8461
 Oper. Head Jamb Stop



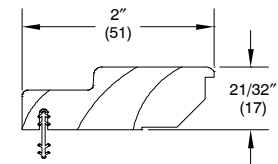
W8459
 Oper. Hardware Cover



W8723
 Stat. Hardware Cover



W7001
 HJ Stop, Stat



W7015
 Stat. Side Jamb Stop

ORDERING REPLACEMENT SCREENS FOR CASEMASTER

Screens are available with aluminum or wood surround and charcoal colored fiberglass 18 x 16 screen mesh. Aluminum mesh is available as an option in black, charcoal, bright aluminum, or bright bronze. Determine the outside measurement of the existing screen. Find the sizes that correspond to the width and height indicated on the following charts. Aluminum surrounds are available in satin taupe, bronze, white, brown and pebble gray.

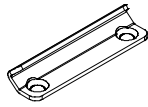
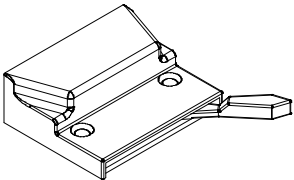
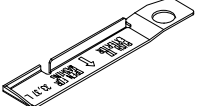
When ordering replacement screen specify:

1. size; – If there is no existing screen from which to obtain the OM of the screen, determine the size of the screen by using measurement conversion charts below. The daylight opening is the measurement of the visible glass.
2. color;
3. mesh type (if other than standard)
4. year or fastener type (if other than current).

Note: Gold tone screen surround is no longer available.

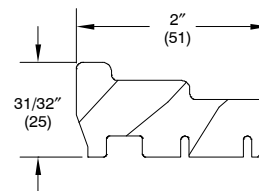
StormPlus IZ4			
Casemaster and Awning Screen Sizes			
Aluminum and Wood Screens			
Daylight Opening to OM of Screen			
Daylight Width + 2 3/4" = OM Width of Screen			
Daylight Height + 2 7/32" = OM Height of Screen			
Width		Height	
Size	OM Width	Size	OM Height
CN 16	12 25/64"	CN 20	15 1/32"
CN 20	16 25/64"	CN 24	19 1/32"
CN 24	20 25/64"	CN 28	23 1/32"
CN 28	24 25/64"	CN 32	27 1/32"
CN 32	28 25/64"	CN 36	31 1/32"
CN 36	32 25/64"	CN 40	35 1/32"
CN 40	36 25/64"	CN 48	43 1/32"
CN 48	44 25/64"	CN 56	51 1/32"
CN 56	52 25/64"	CN 60	55 1/32"
		CN 64	59 1/32"
		CN 72	67 1/32"

Note: Screens produced after April 2003 utilize plunger and spring assemblies. Screens produced prior to April 2003 utilize bayonet latches.

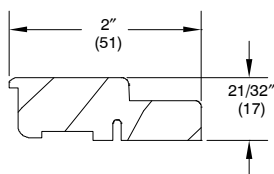
ILLUSTRATION NOT TO SCALE	DESCRIPTION	OPER COLOR	PART NO.
	CM Snubber		10899110
	Cam Lock WAWN IZ4	BZ WH BS TP	10814904 10814905 10814906 10814907
 <i>Note: Left hand shown</i>	Hinge Limiter	LH RH	11040395 11040394

CURRENT REPLACEMENT WOOD AND VINYL PARTS

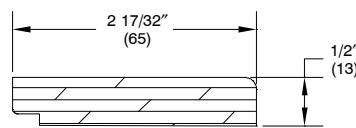
StormPlus	Clad	Wood
Jamb Side Stop, IZ4	W8460	W8460
Jamb Side Stop, IZ2, IZ3	V1162	V1162
Stat Sash Stop, IZ4	W8462	W8462
Jamb Frame Filler, IZ4	W7686	
HJ Filler, IZ4	W7676	



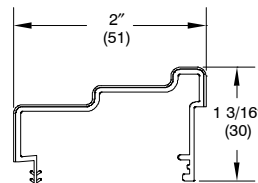
W8460
Jamb Side Stop, IZ4



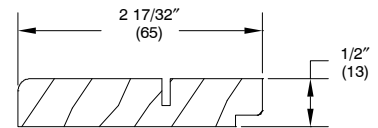
W8462
Stat Sash Stop, IZ4



W7676
HJ Filler, IZ4



V1162
Jamb Side Stop, IZ2, IZ3



W7686
Jamb Frame Filler, IZ4

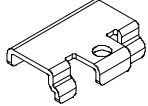
ILLUSTRATION <i>NOT TO SCALE</i>	DESCRIPTION	OPER. COLOR	PART NO.
	Impact Tie Bar Hold Down IZ3 / IZ4 <i>Uses:</i> 1 – #8- 1 1/4" pan head screw (11800557)		10816392

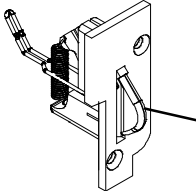
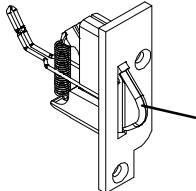
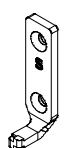
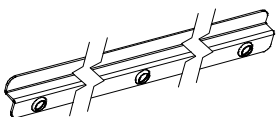
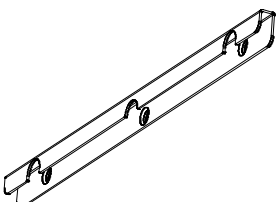
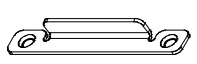
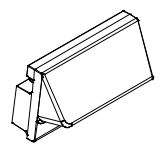
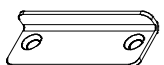
ILLUSTRATION NOT TO SCALE	DESCRIPTION	OPER.- COLOR	PART NO.
 <p>RH Shown Blade is black</p>	<p>Tilt Latch Assembly IZ3 – Clad Includes: 1 – fastener 11806136 1 – fastener 11800519</p>	<p>LH RH</p>	<p>10500950 10500951</p>
 <p>RH Shown Blade is black</p>	<p>Tilt Latch Assembly IZ3 – Wood Includes: 1 – fastener 11806136 1 – fastener 11800519</p>	<p>LH RH</p>	<p>10500704 10500705</p>
	<p>Tilt Pin IZ3 Includes: 1 – fastener 11800801 1 – fastener 11881122</p>	<p>SS</p>	<p>10500703</p>
	<p>Interlock, Top Sash IZ3 Includes: 3 – fasteners 11806136</p>	<p>BG</p>	<p>10500701</p>
	<p>Interlock, Bottom Sash IZ3 Includes: 3 – fasteners 11806112</p>	<p>SS</p>	<p>10500709</p>
	<p>Sill Bracket IZ3 Includes: 2 – fasteners (BG) 11800763 or (WH) 11800764</p>	<p>BG WH</p>	<p>11841103 11841104</p>
	<p>Sash Stay IZ3 Pre 01-23-2012 Clad IZ3 Pre 04-30-2012 Wood For Field Service only</p>	<p>LH BG LHWH RH BG RH WH</p>	<p>10815280 10815282 10815281 10815283</p>
	<p>Sill Bracket, Picture IZ3</p>		<p>10500526</p>

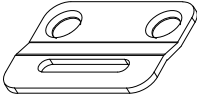
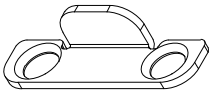
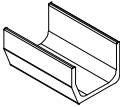
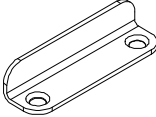
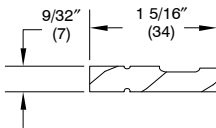
ILLUSTRATION NOT TO SCALE	DESCRIPTION	OPER.- COLOR	PART NO.
	<p>Storm Clips Clasp IZ2 For Field Service only <i>Includes:</i> (2) #7-16 x 7/8" Type A-17 Full Thread Screws TP 11800786, WH 10840019 BZ 11800779, BS 11800787 AB 11800788, ORBZ 11800794 SN 11800796, PC 11800790 BC 11800789</p>	<p>TP WH BZ BS AB ORBZ SC SN PC</p>	<p>10500696 10500691 10500690 10500692 10500693 10500697 10500694 10500698 10500695</p>
	<p>Storm Clips Keeper IZ2 For Field Service only <i>Includes:</i> (2) #7-16 x 7/8" Type A-17 Full Thread Screws TP 11800786, WH 10840019 BZ 11800779, BS 11800787 AB 11800788, ORBZ 11800794 SN 11800796, PC 11800790 BC 11800789</p>	<p>TP WH BZ BS AB ORBZ SC SN PC</p>	<p>10500612 10500607 10500606 10500608 10500609 10500613 10500610 10500614 10500611</p>

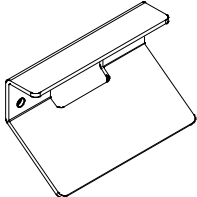
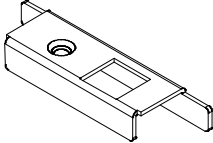
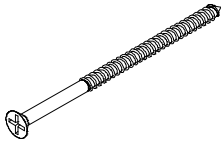
ILLUSTRATION NOT TO SCALE	DESCRIPTION	OPER.- COLOR	PART NO.
	Sill Reinforcement, IZ3 A2766 – Lineal 144" (3658) Uses: #8x1" Phillips flathead screw	Lineal WH AL BK	18865299 18865399 18865499
	Bracket, Sill, CUDHP–NG IZ3 Uses: 2 – #7x3/4" Phillips flathead wood screw	SS	10500764

CURRENT REPLACEMENT WOOD AND VINYL PARTS

StormPlus	Clad
Sill Liner, IZ3	W12392



W12392– Sill Liner, IZ3
 CUDH–NG

ILLUSTRATION NOT TO SCALE	DESCRIPTION	OPER. COLOR	PART NO.
	Sill Strike Backer Plate IZ2 and IZ3		10148009
	Stile End Plate IZ2, IZ3	LH RH	10148008 10148007
	#8 – 15 x 3" 2/3 Thread SS Screw IZ2, IZ3,		11800858

CURRENT REPLACEMENT WOOD AND VINYL PARTS

StormPlus	Wood and Clad
Sill Liner, IZ3	W8661
Glazing Stop, IZ3	W9483

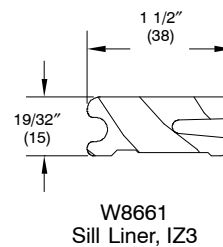
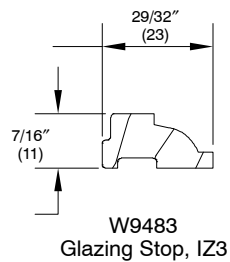


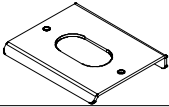
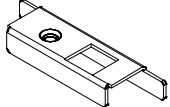
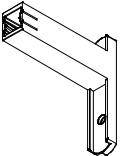
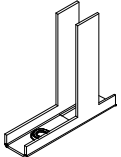
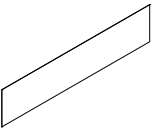
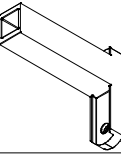
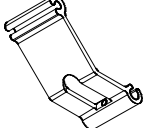


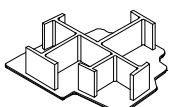
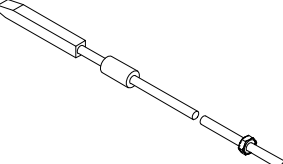

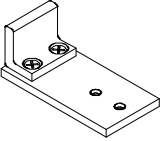
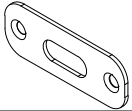
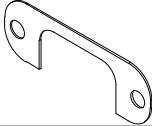
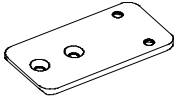


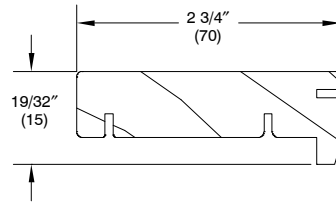
ILLUSTRATION <i>NOT TO SCALE</i>	DESCRIPTION	OPER./ COLOR	PART NUMBER
	Sill Strike Backer Plate Outswing Doors IZ2, IZ3, IZ4		10148006
	Stile End Plate IZ2, IZ3, IZ4	LH RH	10148008 10148007
	Shoot Bolt Guide IZ4 Used with shoot bolt guide reinforcement at bottom of panel		05700066
	Shoot Bolt Guide Reinforcement IZ4 Used with shoot bolt guide at bottom of panel		05700065
	Mull Reinforcement Plate IZ4		02070302
	Shoot Bolt Guide Used from 2001–2007 IZ4 Used on inactive panels		10815188
	Mull Casing Base Connector Used from 2004–2007 IZ4		11860080
	#8 – 15x3" 2/3 Thread SS Screw IZ2, IZ3, IZ4 – Used at top of panel through stile end plate IZ4 – Used at bottom of panel through shoot bolt reinforcement		11800858
	#8x3" panhead SS Screw IZ2, IZ3 – Used through bottom shoot bolt guide into stile.		11882350
	Clad Mull Casing End Plug IZ4 <i>(Clad Doors Only)</i>	LH BG RH BG LH BZ RH BZ	10500255 10500254 10500267 10500266
	Bottom Shoot Bolt Assembly, IZ4 <i>Includes:</i> 1 – Spacer 1 – Hex Nut 1 – Shoot Bolt 1 – Lock Rod		18900450
	Bulb Weather Strip, V192 IZ4 192"	BG BK	15900118 15900117

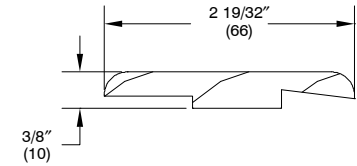
ILLUSTRATION NOT TO SCALE	DESCRIPTION	OPER./ COLOR	PART NUMBER
	<p>Header Reinforcement Bracket Assembly IZ4 Includes: 1 – Plate 1 – Bracket 2 – #8 x 3/8" Machine Screws (02058014) 2 – #8 x 1" Full Thread Screws (11800645)</p>		21505000
	<p>Head Jamb Strike Plate IZ4</p>	SS	05700082
	<p>Shim, Head Jamb Strike IZ4</p>		11100251
	<p>Stationary Bracket Jamb / Head Jamb IZ4</p>		11100212
	<p>#10 – 12 x 3" Phillips Flathead Screw For Head Jamb Strike OFD IZ4</p>		02056011
	<p>Pkg, Panel Drip – COFD IZ4 July 30, 2012 – Present Includes: A2408 Panel Drip (For Custom Color match see Profile section), Foam Tape #6 x 1/4" flat head screws</p>	<p>1-6 Beige 2-0 Beige 2-6 Beige 2-8 Beige 3-0 Beige 1-6 Bronze 2-0 Bronze 2-6 Bronze 2-8 Bronze 3-0 Bronze</p>	<p>11100272 11100273 11100274 11100275 11100276 11100282 11100283 11100284 11100285 11100286</p>
<p>Pkg, Panel Drip – WOFD IZ4 July 30, 2012 – Present Includes: A2408 Panel Drip (For Custom Color match see Profile section), Foam Tape #6 x 1 1/4" flat head screws</p>	<p>1-6 Beige 2-0 Beige 2-6 Beige 2-8 Beige 3-0 Beige 1-6 Bronze 2-0 Bronze 2-6 Bronze 2-8 Bronze 3-0 Bronze</p>	<p>11100277 11100278 11100279 11100280 11100281 11100287 11100288 11100289 11100290 11100291</p>	

CURRENT REPLACEMENT ALUMINUM, WOOD AND VINYL PARTS

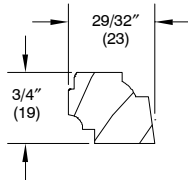
StormPlus	Wood and Clad
Wide Head Jamb Stop, IZ4	W6000
Oak Sill Cover, IZ3, IZ4	W9510
Glazing Stop, IZ4	W4019
Glazing Stop, IZ3	W9483
Jamb Part Stop, Stat., IZ4	W9475
Astragal, IZ4	W1091
Roller Track	V1017
Panel Drip (Active and Stationary Panels)	A2408



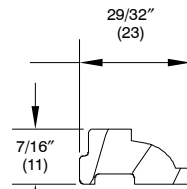
W6000
Wide Head Jamb Stop, IZ4



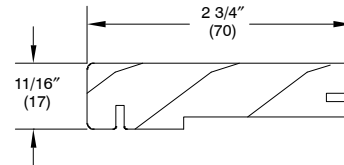
W9510
Oak Sill Cover, IZ3, IZ4



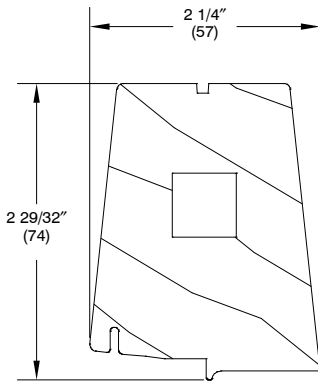
W4019
Glazing Stop, IZ4



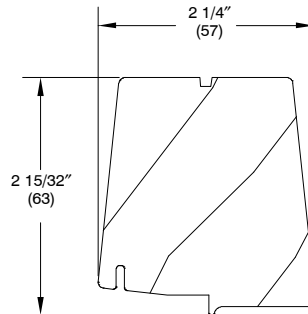
W9483
Glazing Stop, IZ3



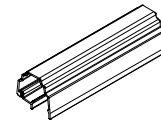
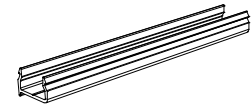
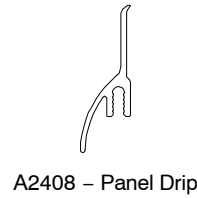
W9475
Jamb Part Stop, Stat IZ4



W1091
Astragal, IZ4
Used 2004–2007



W9531
Mull Base, IZ4



PARTS


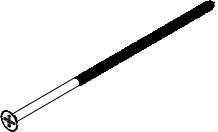
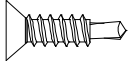
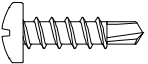
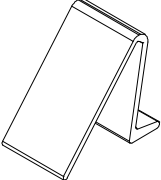
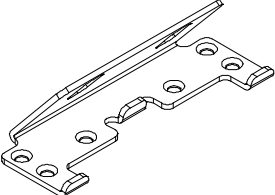
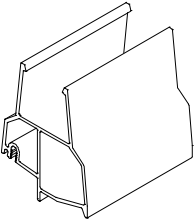
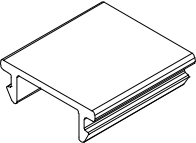
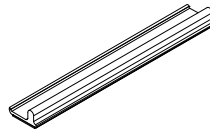
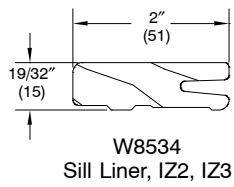
ILLUSTRATION NOT TO SCALE	DESCRIPTION	OPER. COLOR	PART NO.
	#8 – 15x3” 2/3 Thread SS Screw IZ2, IZ3 – Used through lock, keeper and jamb into the structure at installation		11800858
	#10 – 13x3” 2/3 Thread SS Screw IZ3 – Used through oak sill liner into structure at installation		11801017
	#8 – 18 x 5/8” Type A/TEK–2 Full Thread IZ3 Wood screw Used to attach sill brackets to sill	MF	11808502
	#8 – 18 x 5/8” Type A/TEK–2 Full Thread IZ3 Pan head screw Used to attach the sill cover to the sill	BG BZ	11800543 11800544
	Cover, Sill OXXO A2843 96” long (2438)	BZ CS	18716000 18716005
	Bracket, Sill	MF	11100252

ILLUSTRATION NOT TO SCALE	DESCRIPTION	OPER. COLOR	PART NO.
	<p>Astragal, CSFD OXXO A2847</p> <p>IZ3/HP 96" long (2438)</p>	<p>SW BZ PB BN EB EG AR CS CO CU WB DB SA HS CG CC FV MSL MCP CCC MF</p>	<p>18716200 18716210 18716205 18716215 18716220 18716225 18716230 18716235 18716240 18716245 18716250 18716255 18716260 18716265 18716270 18716275 18716280 18716285 18716290 18716295 18716299</p>
	<p>Mull Casing Cover Clad A775</p> <p>To be used as the astragal clip/cap/cover for OXXO IZ3/HP</p> <p>192" long (4877)</p>	<p>SW BZ PB BN EB EG AR CS CO CU WB DB SA HS CG CC FV MSL MCP CCC MF</p>	<p>18709534 18709520 18709530 18709518 18709526 18709528 18709500 18709524 18709522 18709508 18709536 18709510 18709532 18709514 18709506 18709504 18709512 18709539 18709540 18450122 18709539</p>

CURRENT REPLACEMENT WOOD AND VINYL PARTS

StormPlus	Wood	Clad
Glazing Stop, IZ3	W9483	W9483
Sill Liner, IZ2, IZ3	W8534	W8534



V1017
Roller Track

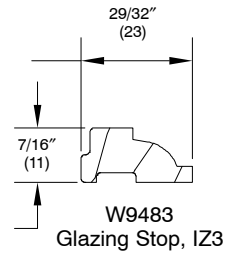
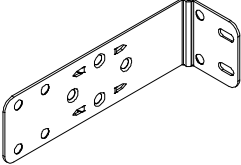
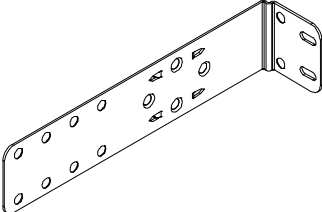


ILLUSTRATION NOT TO SCALE	DESCRIPTION	LENGTH	PART NUMBER
	Structural Bracket, 4 9/16" <i>UDH, UOFD</i>	Each	11860036
	Structural Bracket, 6 9/16" <i>UDH, UOFD</i>	Each	11860032