

# ULTIMATE OUTSWING BI-FOLD DOOR

## Table of Contents

	<b>PAGE</b>
History .....	2
Part Identification – Clad Outswing Bi-Fold Door Head Jamb with Sill Options .....	3
Part Identification – Clad Outswing Bi-Fold Door 2, 3 and 5 Panel Jamb Detail .....	4
Part Identification – Wood Outswing Bi-Fold Door Head Jamb with Sill Options .....	5
Part Identification – Wood Outswing Bi-Fold Door Panel Jamb Detail .....	6
Bi-Fold Door Configurations .....	7
Parts – Traditional Handle .....	8
Parts – Contemporary Handle .....	10
Parts – Bi-Fold Doors .....	13
Weather Strip and Vinyl .....	19
Replacement Wood Parts .....	22
Panel Replacement .....	23
Parts for Lock Status Sensor .....	24

### **ATTENTION:**

- Specification and technical data are subject to change without notice.
- Numbers listed in parentheses ( ) are metric equivalents in millimeters rounded to the nearest whole number.

ULTIMATE OUTSWING BI-FOLD DOOR  
**HISTORY**

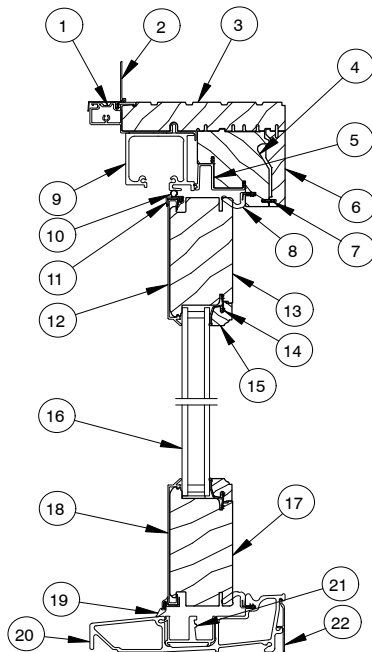


Built around you.®

2017	Clad Ultimate Outswing Bi-Fold Door	04/24/2017 – Introduced redesigned Clad Ultimate Outswing Bi-Fold Door.	Present
2017	Clad Ultimate Outswing Bi-Fold Door	08/28/2017 – Added certified IZ3 option.	Present
2017	Clad Ultimate Outswing Bi-Fold Door	08/28/2017 – Added Black as color option for the Scenic Door Ultimate Sliding Screen.	Present
2017	Clad Ultimate Outswing Bi-Fold Door	12/18/2017 – Added availability of Lock Status Sensor.	Present
2018	Wood Ultimate Outswing Bi-Fold Door	02/26/2018 – Introduced redesigned Wood Ultimate Outswing Bi-Fold Door.	Present

**CLAD ULTIMATE OUTSWING BI-FOLD DOOR  
 HEAD JAMB WITH SILL OPTIONS**

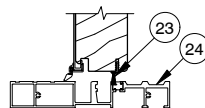
Head Jamb & Sill details



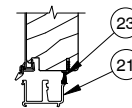
1. Frame Cladding
2. Nailing Fin/Drip Cap
3. Head Jamb
4. Head Jamb Support Block
5. Shootbolt Channel V2683
6. Head Jamb Part Stop, W12711
7. Connecting Barb, V803
8. Frame Weatherstrip, V1910
9. Head Track, A3113
10. Frame Weatherstrip, V2475
11. Rail Cap, A3052
12. Top Rail Clad
13. Top Rail
14. Vinyl Glazing Bead, V2447
15. Ogee Glazing Cap, W12367
16. Insulating Glass
17. Bottom Rail
18. Bottom Rail Cladding
19. Sill Weatherstrip, V1138
20. Sill
21. Sill Insert
22. Sill Liner Tape Assembly
23. 1/2" Pile Weatherstrip
24. Low Profile Sill

Performance Sill

Low Profile Sill

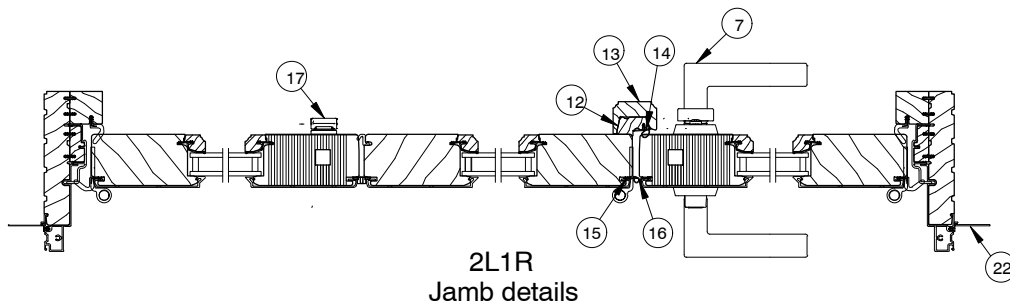
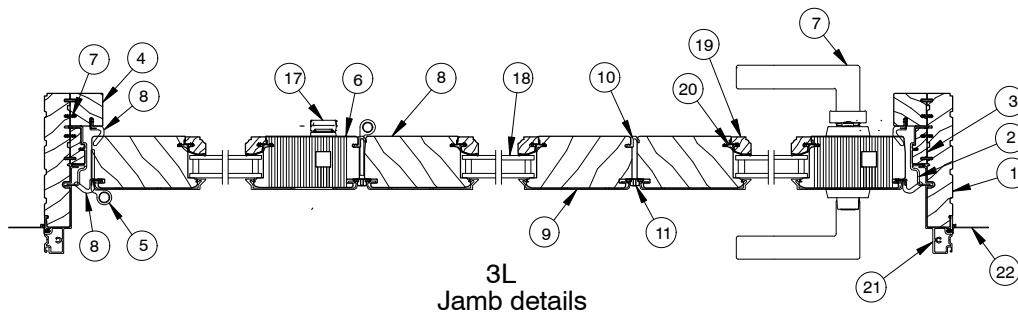


Floor Channel Sill



NOTE: Not to scale; specifications subject to change without notice.

**CLAD OUTSWING BI-FOLD DOOR  
 JAMB DETAIL**

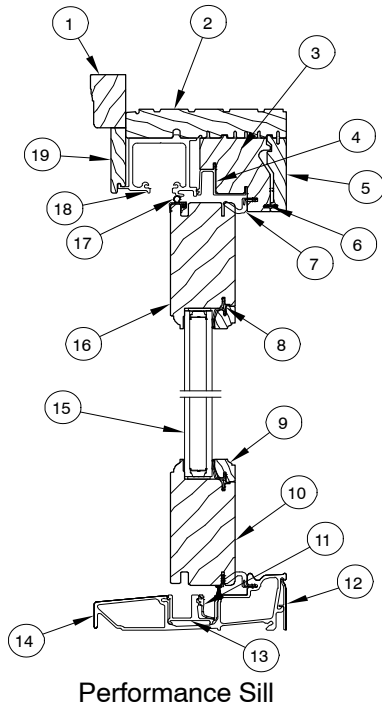


NOTE: For more configurations see Marvin Architectural Detail Manual.

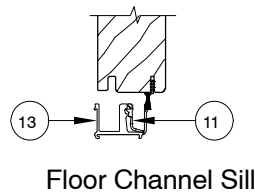
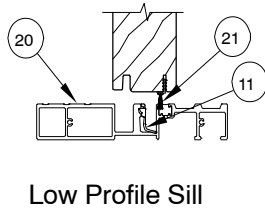
1. Jamb
2. Frame Cover, V2690
3. Mid Frame Cover Support
4. Jamb Part Stop, W12713
5. Hinge
6. Locking Stile
7. Contemporary Handle
8. Stile
9. Stile Cladding
10. Panel Weatherstrip, V1897
11. Weatherstrip, V2726
12. Astragal Base
13. Astragal Cap
14. Bulb Weatherstrip, V796
15. Inactive Weatherstrip, V1706
16. Stile Weatherstrip, V020
17. Panel Handle
18. Insulated Glass
19. Vinyl Glazing Bead, V2447
20. Ogee Glazing Cap, W12367
21. Frame Cladding
22. Nailing Fin

NOTE: Not to scale; specifications subject to change without notice.

**WOOD ULTIMATE OUTSWING BI-FOLD DOOR  
 HEAD JAMB WITH SILL OPTIONS**

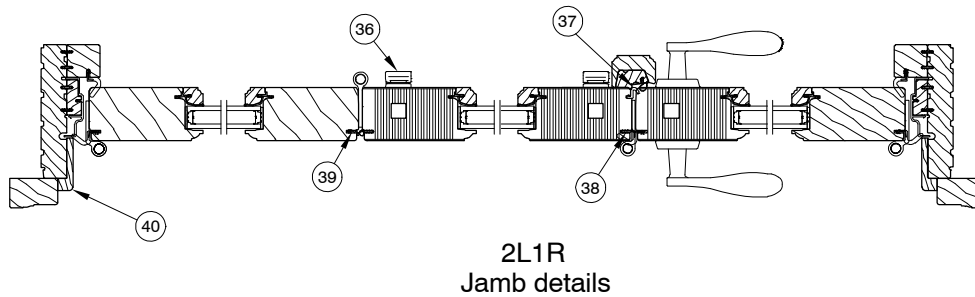
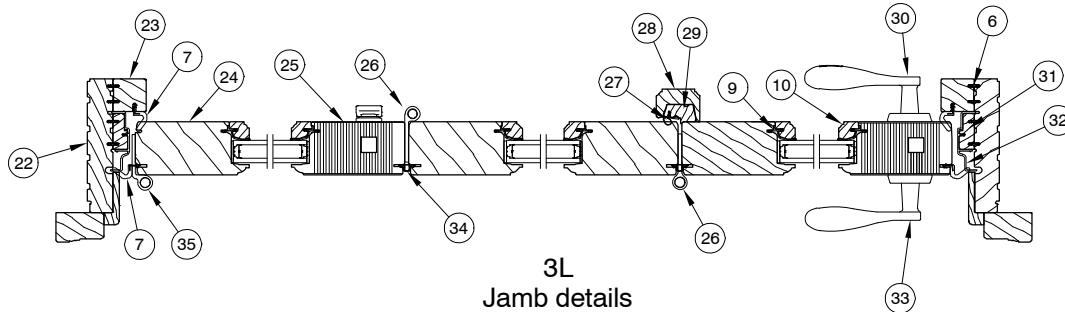


1. Brick Mould Casing
2. Head Jamb
3. Head Jamb Support Block
4. Shootbolt Channel V2683
5. Head Jamb Part Stop
6. Connecting Barb V803
7. Frame Weatherstrip, V1910
8. Vinyl Glazing Bead V2447
9. Ogee Glazing Cap
10. Bottom Rail
11. Sill Shoot Bolt Strike
12. Sill Liner Tape Assembly
13. Sill Insert/Floor Channel Sill A3038
14. Performance Sill
15. Insulating Glass
16. Top Rail
17. Top Rail Weather Strip V2475
18. Head Track A3229
19. Head Jamb Cover W13034
20. Low Profile Sill
21. 1/2" Pile Offset Weather Strip V2791
22. Jamb
23. Jamb Part Stop
24. Stile
25. Locking Stile
26. Straight Hinge
27. Bulb Weather Strip V796
28. Astragal Cap
29. Astragal Base
30. Interior Handle
31. Mid Frame Cover Support
32. Frame Cover V2690
33. Exterior Handle
34. Weather Strip V2726
35. Angled Hinge
36. Head/Foot Bolt Lock Handle
37. Panel Weather Strip V1897
38. Inactive Panel Weather Strip V1706
39. Weather Strip V020
40. Jamb Cover W13035



NOTE: Not to scale; specifications subject to change without notice.

**WOOD ULTIMATE OUTSWING BI-FOLD DOOR  
 JAMB DETAIL**



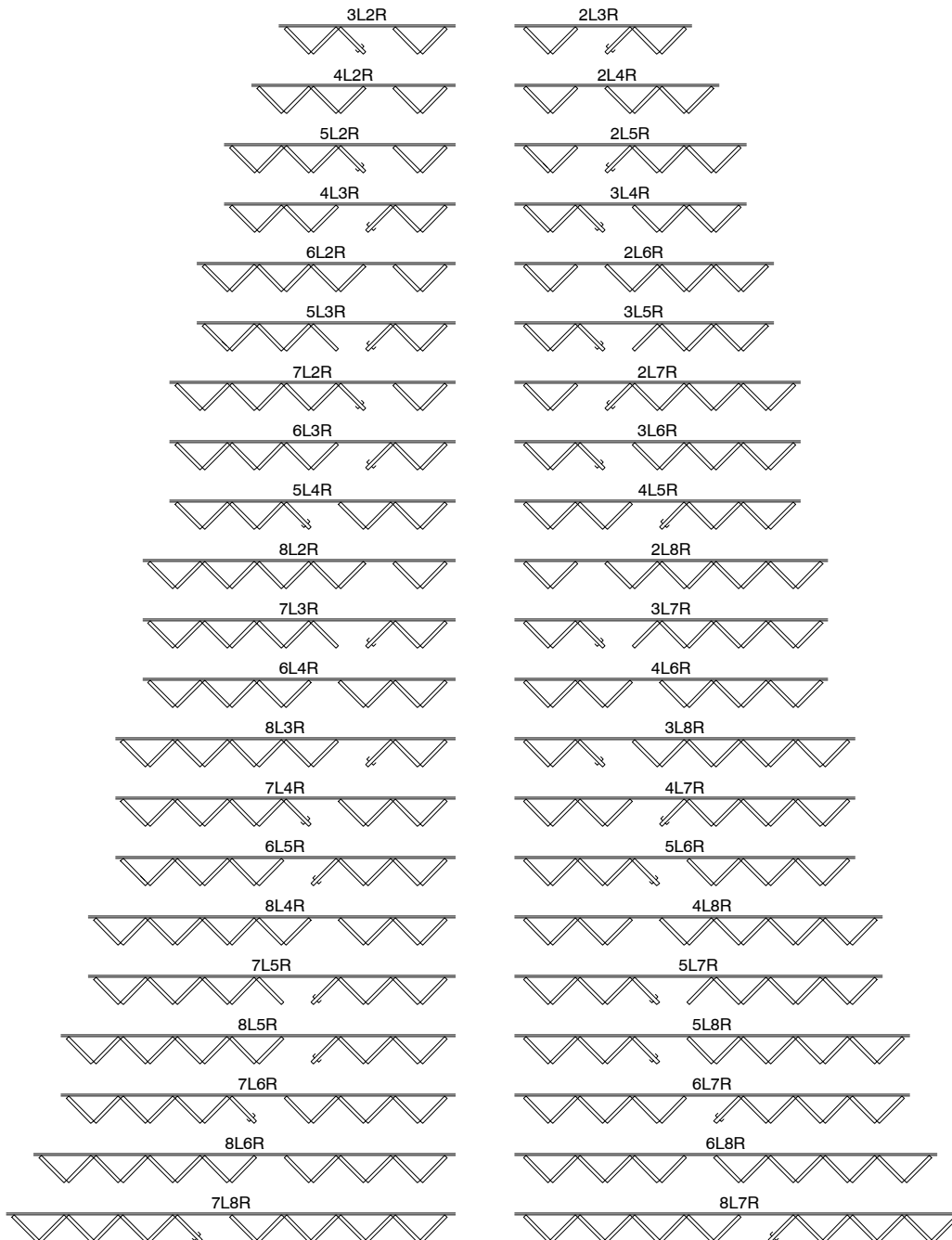
NOTE: For more configurations see Marvin Architectural Detail Manual.

- |  |  |
|--|--|
| 1. Brick Mould Casing                    | 21. 1/2" Pile Offset Weather Strip V2791 |
| 2. Head Jamb                             | 22. Jamb                                 |
| 3. Head Jamb Support Block               | 23. Jamb Part Stop                       |
| 4. Shootbolt Channel V2683               | 24. Stile                                |
| 5. Head Jamb Part Stop                   | 25. Locking Stile                        |
| 6. Connecting Barb V803                  | 26. Straight Hinge                       |
| 7. Frame Weatherstrip, V1910             | 27. Bulb Weather Strip V796              |
| 8. Vinyl Glazing Bead V2447              | 28. Astragal Cap                         |
| 9. Ogee Glazing Cap                      | 29. Astragal Base                        |
| 10. Bottom Rail                          | 30. interior Handle                      |
| 11. Sill Shoot Bolt Strike               | 31. Mid Frame Cover Support              |
| 12. Sill Liner Tape Assembly             | 32. Frame Cover V2690                    |
| 13. Sill Insert/Floor Channel Sill A3038 | 33. Exterior Handle                      |
| 14. Performance Sill                     | 34. Weather Strip V2726                  |
| 15. Insulating Glass                     | 35. Angled Hinge                         |
| 16. Top Rail                             | 36. Head/Foot Bolt Lock Handle           |
| 17. Top Rail Weather Strip V2475         | 37. Panel Weather Strip V1897            |
| 18. Head Track A3229                     | 38. Inactive Panel Weather Strip V1706   |
| 19. Head Jamb Cover W13034               | 39. Weather Strip V020                   |
| 20. Low Profile Sill                     | 40. Jamb Cover W13035                    |

NOTE: Not to scale; specifications subject to change without notice.

**OUTSWING BI-FOLD DOOR - CONFIGURATIONS**

**Bi-Parting (Unequal) Units**



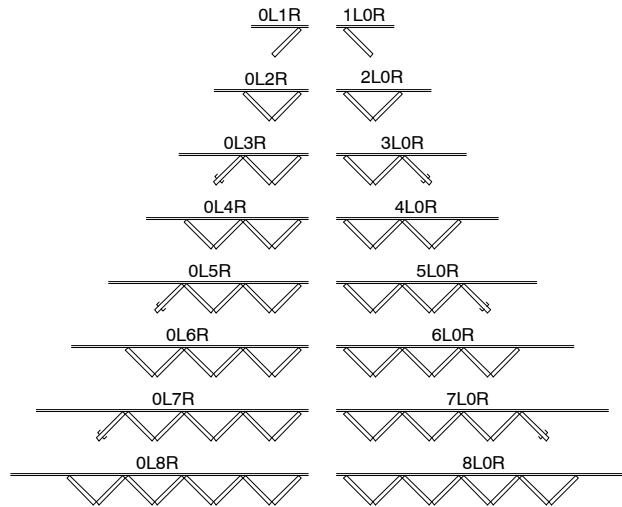
NOTE: Not accessible from exterior if no handle is shown

**OUTSWING BI-FOLD DOOR – CONFIGURATIONS**

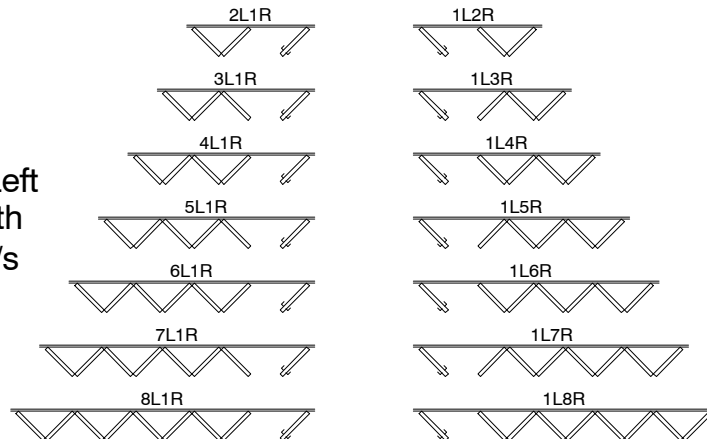
Stationary Unit



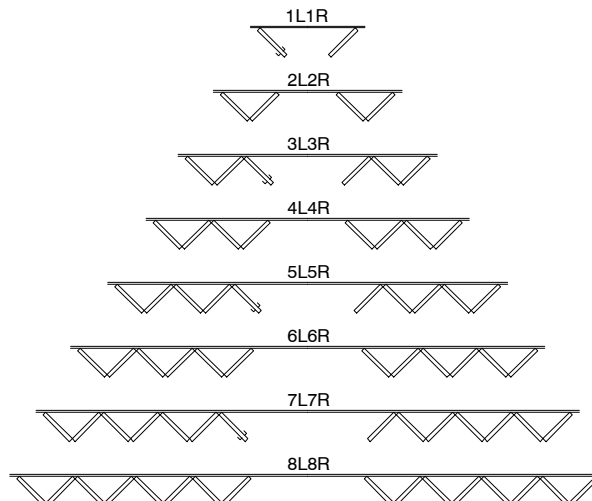
Uni-directional Left  
 or Right Units



Uni-directional Left  
 or Right Units with  
 Operating Panel/s



Bi-parting (unequal)  
 Units



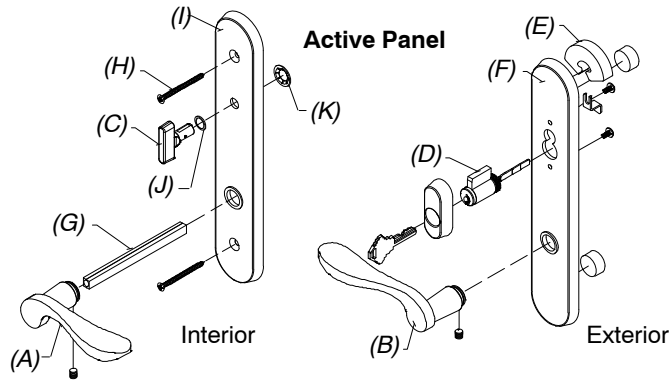
NOTE: Not accessible from exterior if no handle is shown



When ordering replacement parts specify:



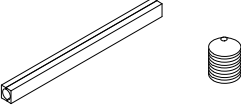
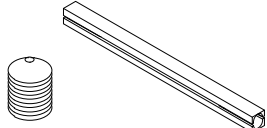
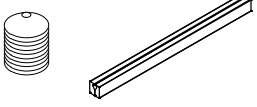

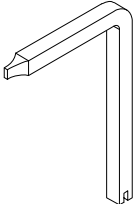
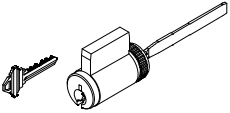
1. type of unit;
2. part number;
3. description.

**ILLUSTRATIONS** (not to scale)



<p><b>Handle Assembly, Active Panel</b>  <b>Mortise lock and Multi-point lock systems</b>                  (Schlage "C" keyway)                  Includes:                  1 - Interior lever (A) with spindle, escutcheon plate and hardware                  1 - Exterior lever (B) with escutcheon plate and hardware                  1 - Thumb turn (C) with hardware                  1 - Keyed cylinder (D) with housing and hardware                  1 - Exterior escutcheon plate gasket (E)                  1 - Exterior escutcheon plate (F)                  1 - Two piece spindle (G)                  2 - #10-32 x 2 1/8" Phillips ovalhead machine screws (H)                  1 - Interior escutcheon plate (I)                  1 - Thumb turn washer (J)                  1 - Thumb turn push nut (K)                  2 - Keys</p>	<p>White                  Bronze PVD                  Satin Nickel PVD                  Dark Bronze                  Matte Black                  Oil Rubbed Bronze</p>	<p>21448119                  21448118                  21448110                  21448120                  21448131                  21448111</p>
<p><b>Handle Assembly, Inactive/Dummy</b>                  Includes:                  1 - Interior lever (A) with spindle, escutcheon plate and hardware                  1 - Exterior lever (B) with escutcheon plate and hardware                  1 - Exterior escutcheon plate gasket (C)                  1 - Exterior escutcheon plate (D)                  1 - Two piece spindle (E)                  2 - #10-32 x 2 1/8" Phillips ovalhead machine screws (F)                  1 - Interior escutcheon plate (G)</p>	<p>White                  Bronze PVD                  Satin Nickel PVD                  Dark Bronze                  Matte Black                  Oil Rubbed Bronze</p>	<p>21448150                  21448145                  21448133                  21448162                  21448163                  21448154</p>

# PARTS – TRADITIONAL HANDLE

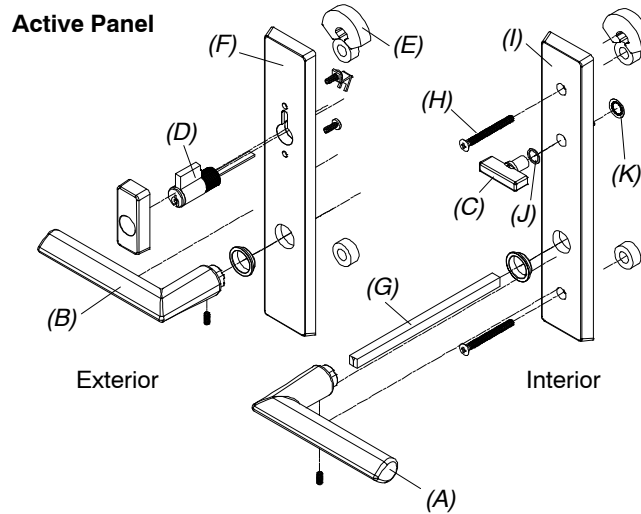
ILLUSTRATION NOT TO SCALE	DESCRIPTION	OPER./COLOR	PART NO.
	<b>Lug seals</b>		00142046
	<b>#10-32 x 2 5/8" Phillips ovalhead machine screws</b>	White Oil Rubbed Bronze PVD Satin Nickel PVD Dark Bronze Oil Rubbed Bronze Matte Black	11800157 11800159 11800154 11800169 11800153 11800179
	<b>3/4" Spindle Extension Kit (HOPPE)</b> <i>Includes:</i> 1 – 2 piece. spindle, 4 3/8" 2 – Set screws		10148459
	<b>Spindle, Two Piece Kit (Ashland)</b> (2 1/4" Door) <i>Includes:</i> 1 – 2 piece spindle 5.061 2 – Set screws		18900393
	<b>Spindle Kit (Truth)</b> <i>For ORBZ handle sets produced after March 2009.</i> <i>Includes:</i> 1 – 2 piece spindle, 4.725" 2 – Set screws	Oil Rubbed Bronze	02100941
	<b>Lever Bushing, Swinging Handle Set – Traditional</b>	Clear Gray Gold Natural Black	02062201 10148448 10148447 02062202 10148020
	<b>Construction Handle</b>		10830451
	<b>Key Cylinder, Lock</b> (Schlage "C" keyway) For service replacement only. <i>NOTE: For Keyed Alike orders, use program C87P2.</i>  <i>BS, ORBZ PVD, TP, WH, AB=Brass Face</i> <i>All other Marvin finishes=Chrome Face</i>	Brass Chrome	10830212 10830209

NOTE: Dark Bronze screws are used with Antique Brass and Oil Rubbed Bronze PVD

When ordering replacement parts specify:

1. type of unit;
2. part number;
3. description.

**ILLUSTRATIONS** (not to scale)



<p><b>Handle Assembly, Active Panel</b>  <b>Mortise lock and Multi-point lock systems</b>                  (Schlage "C" keyway)                  Includes:                  1 – Interior lever (A) with 10148414 spindle, escutcheon plate and hardware                  1 – Exterior lever (B) with escutcheon plate and hardware                  1 – Thumb turn (C) with hardware                  1 – Keyed cylinder (D) with housing and hardware                  1 – Exterior escutcheon plate gasket (E)                  1 – Exterior escutcheon plate (F)                  1 – Two piece spindle (G)                  2 – M5 x 55mm Phillips ovalhead machine screws (H)                  1 – Interior escutcheon plate (I)                  1 – Thumb turn washer (J)                  1 – Thumb turn push nut (K)                  2 – Keys</p>	<p>Bronze PVD                  Satin Nickel PVD                  Dark Bronze                  Matte Black</p>	<p>21448123                  21448122                  21448124                  21448130</p>
<p><b>Handle Assembly, Inactive/Dummy</b>                  Includes:                  1 – Interior lever (A) with spindle, escutcheon plate and hardware                  1 – Exterior lever (B) with escutcheon plate and hardware                  1 – Exterior escutcheon plate gasket (C)                  1 – Exterior escutcheon plate (D)                  1 – Two piece spindle (E)                  2 – #10-32 x 2 1/8" Phillips ovalhead machine screws (F)                  1 – Interior escutcheon plate (G)</p>	<p>Bronze PVD                  Satin Nickel PVD                  Dark Bronze                  Matte Black</p>	<p>21448127                  21448126                  21448128                  21448129</p>

# PARTS – CONTEMPORARY HANDLE


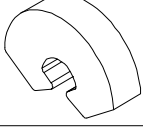

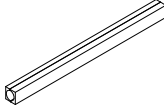




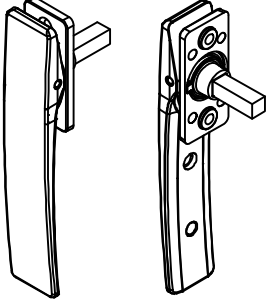
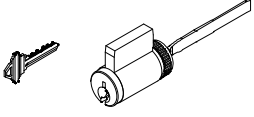
ILLUSTRATION NOT TO SCALE	DESCRIPTION	OPER./COLOR	PART NO.
	<b>Gasket Post</b>		10148404
	<b>Gasket – Top Backplate</b>		10148405
	<b>M5 x 65mm Phillips ovalhead machine screw</b>	Dark Bronze Oil Rubbed Bronze PVD Satin Nickel PVD Matte Black	10148455 10148456 10148457 11800694
	<b>Spindle Kit (HOPPE)</b> <i>Includes:</i> 1 – 2 piece. spindle, 5 1/8" 2 – Set screws		10148458
	<b>Set Screw for Handle Assembly</b> See Spindle kit		NA
	<b>Lever Bushing, Swinging Handle Set – Contemporary</b>	Gray Natural Black	10148448 02062202 10148020
	<b>3/4" Handle Extension</b> Requires 3/4" Spindle Extension	Dark Bronze Oil Rubbed Bronze PVD Satin Nickel PVD Matte Black	10148420 10148421 10148422 10148445
	<b>3/4" Spindle Extension (HOPPE)</b>		10148459
	<b>Panel Handle</b>	Dark Bronze White Satin Nickel Matte Black	11102202 11102201 11102204 11102203
	<b>Key Cylinder, Lock</b> (Schlage "C" keyway) For service replacement only. <i>NOTE: For Keyed Alike orders, use program C87P2.</i>  <i>BS, ORBZ PVD, TP, WH, AB=Brass Face</i> <i>All other Marvin finishes=Chrome Face</i>	Brass Chrome	10830212 10830209

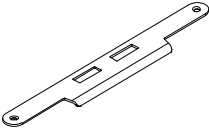
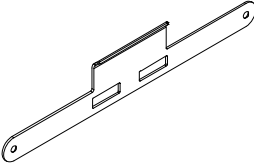
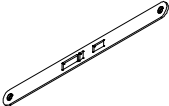
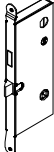
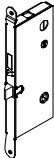
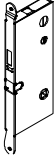
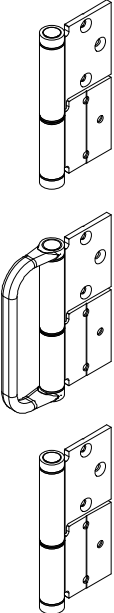
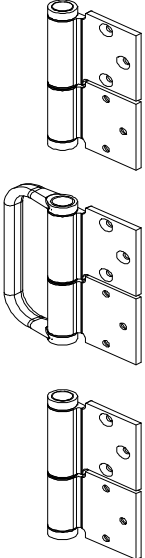
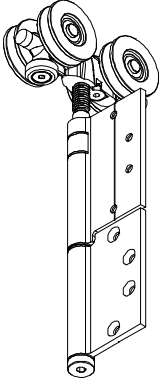
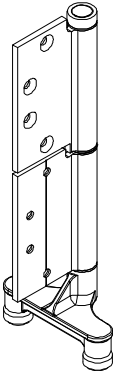
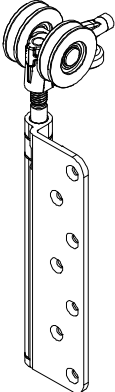
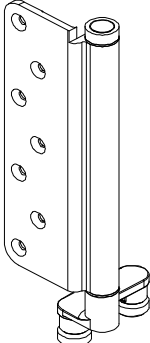
ILLUSTRATION NOT TO SCALE	DESCRIPTION	OPER./COLOR	PART NO.
	<p><b>Strike Plate, Jamb</b> Includes: 1 - Jamb strike plate 2 - #8x1" Phillips flathead screws</p>	<p>Stainless Steel Oil Rubbed Bronze PVD</p>	<p>05700312 05700314</p>
	<p><b>Strike Plate, Panel -</b> Includes: 1 - Panel strike plate 2 - #8x1" Phillips flathead screws</p>	<p>Stainless Steel Oil Rubbed Bronze PVD</p>	<p>05700300 05700302</p>
	<p><b>Cover Plate, Active Panel - Mortise Lock or Multi-Point Lock*</b> Includes: 1 - Cover plate 2 - #8x1" Phillips flathead wood screws</p>	<p>Stainless Steel Oil Rubbed Bronze PVD</p>	<p>05700306 05700308</p>
	<p><b>Mortise Lock, Active Single Point</b> (latch and dead bolt only)</p>		<p>05700129</p>
	<p><b>Mortise Lock, Active Multi-Point Lock</b> (latch, dead bolt and head/foot shoot bolts)</p>		<p>05700130</p>
	<p><b>Mortise Lock, Inactive Panel Multi-Point Lock</b> (head/foot shoot bolts)</p>		<p>05700131</p>

ILLUSTRATION NOT TO SCALE	DESCRIPTION	OPER./COLOR	PART NO.
	<p><b>Straight Hinge Set- Interior</b></p>	<p>Matte Black                      Bronze                      White                      Satin Nickel</p>	<p>10840236                      10840237                      10840238                      10840239</p>
	<p><b>Offset Hinge Set- Interior</b></p>	<p>Matte Black                      Bronze                      White                      Satin Nickel</p>	<p>10840228                      10840229                      10840230                      10840231</p>

	<p><b>Intermediate Carrier Top Exterior</b></p>	<p>Matte Black                      Bronze                      White                      Satin Nickel</p>	<p>10840216                      10840217                      10840218                      10840219</p>
	<p><b>Intermediate Carrier Bottom Exterior</b></p>	<p>Matte Black                      Bronze                      White                      Satin Nickel</p>	<p>10840220                      10840221                      10840222                      10840223</p>
	<p><b>End Carrier Top Exterior RH (shown)</b></p>	<p>Matte Black                      Bronze                      White                      Satin Nickel</p>	<p>10840240                      10840241                      10840242                      10840243</p>
	<p><b>End Carrier Top Exterior LH</b></p>	<p>Matte Black                      Bronze                      White                      Satin Nickel</p>	<p>10840244                      10840245                      10840246                      10840247</p>
	<p><b>End Guide Bottom Exterior RH</b></p>	<p>Matte Black                      Bronze                      White                      Satin Nickel</p>	<p>10840248                      10840249                      10840250                      10840251</p>
	<p><b>End Guide Bottom Exterior LH (shown)</b></p>	<p>Matte Black                      Bronze                      White                      Satin Nickel</p>	<p>10840252                      10840253                      10840254                      10840255</p>

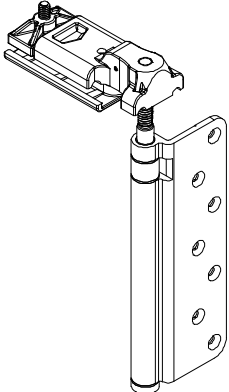
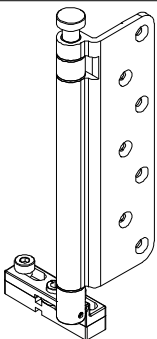
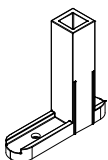
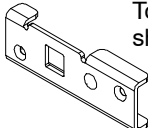
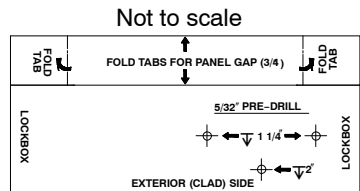
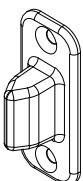
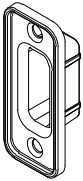
	<b>Top Wall Pivot Exterior RH (shown)</b>	Matte Black Bronze White Satin Nickel	10840200 10840201 10840202 10840203
	<b>Top Wall Pivot Exterior LH</b>	Matte Black Bronze White Satin Nickel	10840204 10840205 10840206 10840207
	<b>Bottom Wall Pivot Exterior RH (shown)</b>	Matte Black Bronze White Satin Nickel	10840208 10840209 10840210 10840211
	<b>Bottom Wall Pivot Exterior LH</b>	Matte Black Bronze White Satin Nickel	10840212 10840213 10840214 10840215
	<b>Shoot Bolt Guide</b> <b>Active Panels – w/Multi-Point</b> (2 Shoot Bolt Guides are required) 1 – Shoot bolt guide (10815186) 1 – #8x1 1/2" Phillips panhead wood screw (11800766)		10815199
 <p>Top Left, Bottom right shown</p>	<b>Pkg, Stile End Bracket</b> Includes: 1 – Top left/Bottom right bracket (11869888) 1 – Top right/Bottom left bracket (11869889) 4 – Screws #8-15 x 3" FH SS (11800903)		11102233
 <p>Not to scale</p> <p>FOLD TAB FOLD TABS FOR PANEL GAP (3/4) FOLD TAB</p> <p>5/32" PRE-DRILL</p> <p>1 1/4"</p> <p>2"</p> <p>LOCKBOX EXTERIOR (CLAD) SIDE LOCKBOX</p>	<b>Installation Template Center Hinge</b> Includes: Unit Installation Instructions Not to scale –must order by part number		19972179
	<b>Panel Alignment Bolt</b> 1 – Panel alignment bolt Uses: 2 – #8 x 1 1/2" Phillips flat head screws (11805182– CS: Use with Beige) (11805140 – EB: Use with Black)	Beige Black	11102455 11102456
	<b>Panel Alignment Receiver</b> Includes: 1 – Panel alignment receiver Uses: 2 – #8 x 1 1/2" Phillips flat head screws (11805182– CS: Use with Beige) (11805140 – EB: Use with Black)	Beige Black	11869886 11869887



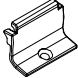
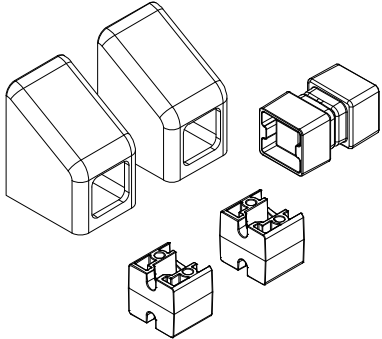
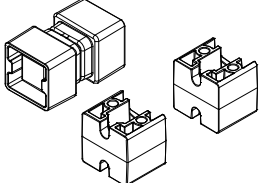
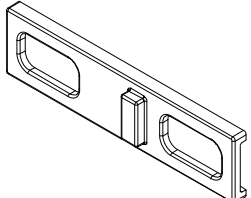
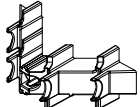

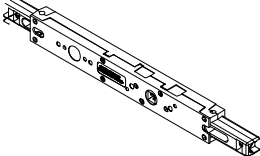
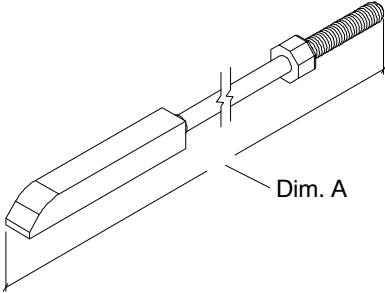
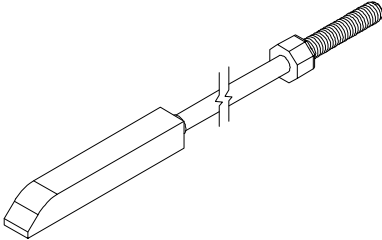
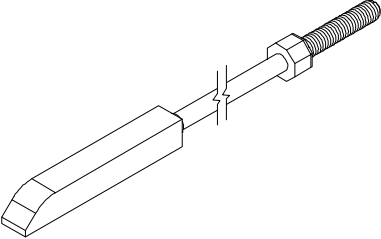
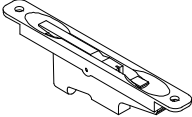
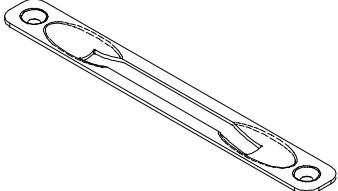



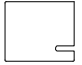

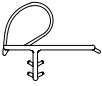
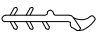
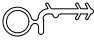

ILLUSTRATION NOT TO SCALE	DESCRIPTION	OPER./COLOR	PART NO.
	<b>Sill Strike</b>	Black Beige	11869820 11869819
	<b>Magnetic Door Catch</b> <i>Includes:                      Assembly, cover, and base</i>	Stone White Bronze Ebony Liberty Bronze Pebble Gray Gunmetal Bahama Brown Evergreen Suede Clay Bright Silver Copper Sierra White Coconut Cream Cashmere Cadet Gray Hampton Sage Cascade Blue Wineberry	11102457 11102459 11102458 11102488 11102460 11102461 11102482 11102483 11102484 11102485 11102486 11102487 11102489 11102490 11102491 11102492 11102493 11102494 11102496
	<b>Magnetic Door Catch without Cover</b>	Black	11102463
	<b>Lower Pivot Shim</b>	Black	10840256
	<b>Frame Corner Key (Clad only)</b>	Black	11869838
	<b>Stationary Panel Bracket</b>	Bronze	11860081
	<b>Lockbox Panel Handle</b>	Black	11102205

ILLUSTRATION NOT TO SCALE	DESCRIPTION	OPER./COLOR	PART NO.																								
	<p><b>Shoot Bolt Assembly, Top for Multi-Point Lock</b> Solid stainless steel rod with 1/4" – 20 threads NOTE: For special heights give dimension A.</p> <table border="0"> <tr> <td><b>Height</b></td> <td><b>Top Locking Rod Length</b></td> <td></td> </tr> <tr> <td>CN 6-8</td> <td>35 3/4"</td> <td>11102196</td> </tr> <tr> <td>CN 7-0</td> <td>39 3/4"</td> <td>11102197</td> </tr> <tr> <td>CN 8-0</td> <td>49 1/4"</td> <td>11102198</td> </tr> <tr> <td>CN 9-0</td> <td>61 1/4"</td> <td>11102199</td> </tr> <tr> <td>CN 10-0</td> <td>73 1/4"</td> <td>11102200</td> </tr> </table>	<b>Height</b>	<b>Top Locking Rod Length</b>		CN 6-8	35 3/4"	11102196	CN 7-0	39 3/4"	11102197	CN 8-0	49 1/4"	11102198	CN 9-0	61 1/4"	11102199	CN 10-0	73 1/4"	11102200	Stainless Steel							
<b>Height</b>	<b>Top Locking Rod Length</b>																										
CN 6-8	35 3/4"	11102196																									
CN 7-0	39 3/4"	11102197																									
CN 8-0	49 1/4"	11102198																									
CN 9-0	61 1/4"	11102199																									
CN 10-0	73 1/4"	11102200																									
	<p><b>Locking Rod Assembly, Bottom for Multi-Point Lock</b> Solid stainless steel rod with 1/4" – 20 threads <i>Lock Rod Length: 34 9/32"</i></p>		05700170																								
	<p><b>Inactive Panel Locking Rod Assembly, Top or Bottom Flush Bolt</b> <i>1/17/00 – Present</i> <i>Includes:</i> <i>1 – Locking rod with end bolt</i> NOTE: For 8-0 ht order top locking rod 05700185.</p> <table border="0"> <tr> <td><b>Height</b></td> <td><b>Top Locking Rod Length</b></td> <td></td> </tr> <tr> <td>CN 6-8 ht</td> <td>11"</td> <td>05700180</td> </tr> <tr> <td>CN 7-0 ht</td> <td>11"</td> <td>05700180</td> </tr> <tr> <td>CN 8-0 ht</td> <td>27"</td> <td>05700185</td> </tr> <tr> <td>CN 9-0 ht</td> <td>34 1/4"</td> <td>05700170</td> </tr> <tr> <td>CN 10-0 ht</td> <td>41 15/16"</td> <td>05700177</td> </tr> <tr> <td><b>Height</b></td> <td><b>Bottom Locking Rod Length</b></td> <td></td> </tr> <tr> <td>All heights</td> <td>11"</td> <td>10815178</td> </tr> </table>	<b>Height</b>	<b>Top Locking Rod Length</b>		CN 6-8 ht	11"	05700180	CN 7-0 ht	11"	05700180	CN 8-0 ht	27"	05700185	CN 9-0 ht	34 1/4"	05700170	CN 10-0 ht	41 15/16"	05700177	<b>Height</b>	<b>Bottom Locking Rod Length</b>		All heights	11"	10815178	Stainless Steel	
<b>Height</b>	<b>Top Locking Rod Length</b>																										
CN 6-8 ht	11"	05700180																									
CN 7-0 ht	11"	05700180																									
CN 8-0 ht	27"	05700185																									
CN 9-0 ht	34 1/4"	05700170																									
CN 10-0 ht	41 15/16"	05700177																									
<b>Height</b>	<b>Bottom Locking Rod Length</b>																										
All heights	11"	10815178																									
	<p><b>Head or Foot Flush Bolt – Inactive Panel</b></p>	Black	11101780																								
	<p><b>Cover Plate for Flush Bolt</b> <i>Includes:</i> <i>1 – Cover plate</i> <i>2 – #8 x 1" Screws</i></p>	Aluminum	11860402																								

# WEATHER STRIP AND VINYL

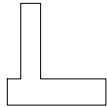
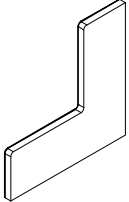
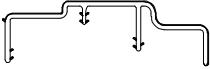
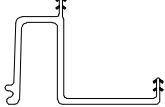
When ordering replacement weather strip or vinyl parts, specify:

1. quantity;
2. length;
3. part number;
4. description.

ILLUSTRATION <i>NOT TO SCALE</i>	DESCRIPTION	LENGTH	COLOR	PART NUMBER
	<b>Weather Strip, Frame</b> V1910	99" 144" 192"	Beige	11195304 11195305 11195306
	<b>Weather Strip, Top Rail Cap</b> V2475	41 1/16"	Black Beige	11212337 11212336
	<b>Weather Strip, Panel</b> V1897	Specify Length	Beige Black	11195201* 11195202*
	<b>Jamb Part Stop Gasket (Pair)</b>		Black	15600033
	<b>Hinge Weather Strip</b> V2725		Black Beige	11211701 11211700
	<b>Offset Bulb Weather Strip,</b> V796	115 11/16" 115 11/16"	Black Beige	15170811 15170810
	<b>Weather Strip, Inactive</b> V1706	121" 121"	Black Beige	15618299 15618199
	<b>Weather Strip, Stile</b> V020	150" 150"	Black Beige	11197998 11197999
	<b>Weather Strip - for Bottom Rail Cap (Clad only)</b> V1138	Specify Length	Black Beige	15910798* 15910499*

\* Part number is sold by LF. Please specify length.

# WEATHER STRIP AND VINYL

ILLUSTRATION <i>NOT TO SCALE</i>	DESCRIPTION	LENGTH	COLOR	PART NUMBER
	<b>Panel Edge Gasket (Pair)</b>		Black Beige	10500446 10500444
	<b>Jamb to Sill Weather Strip Gasket (Pair)</b>		Black	15600034
	<b>Frame Cover</b> V2690	115 1/2"	Black Beige	15371899 15371799
	<b>Shoot Bolt Channel</b> V2683	179"	Black Beige	11211616 11211615

**ORDERING REPLACEMENT VINYL AND FIBERGLASS PARTS FOR THE CLAD ULTIMATE  
OUTSWING BI-FOLD DOOR**

**TO ORDER REPLACEMENT PARTS**

When ordering replacement parts specify:

1. profile number;
2. rough opening;
3. length;
4. handing;
5. color



V2726



V2791  
1/2" Pile  
Offset  
Weatherstrip

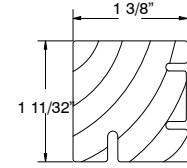


V1910  
Weatherstrip, Frame,  
Black only  
(Beige is available by  
part number )

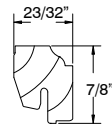
## REPLACEMENT WOOD PARTS

### OUTSWING BI-FOLD DOOR

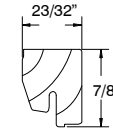
	Clad
Jamb Part Stop	W12713
Astragal Base	W12709
Astragal Cap, Ogee	W12708
Astragal Cap, Square	W12707
Astragal Cap, Ogee	W12708
Vertical Glazing Cap, Ogee	W12367
Vertical Glazing Cap, Square	W12368
Head Jamb Part Stop	W12711
Tall Frame Cover Support	W12751
Mid Frame Cover Support	W12752
Short Frame Cover Support	W12750



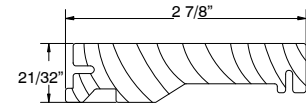
Jamb Part Stop  
W12713



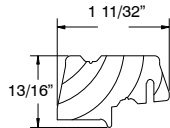
Ogee Vertical Glazing Cap  
W12367



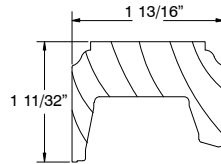
Square Vertical Glazing Cap  
W12368



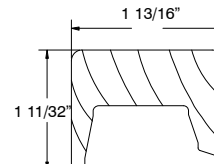
Head Jamb Part Stop  
W12711



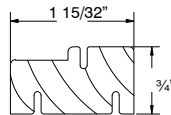
Astragal Base  
W12709



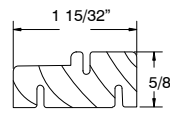
Ogee Astragal Cap  
W12708



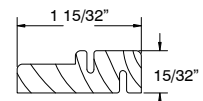
Square Astragal Cap  
W12707



Tall Frame Cover Support  
W12751



Mid Frame Cover Support  
W12752



Short Frame Cover Support  
W12750

### TO ORDER REPLACEMENT WOOD PARTS

When ordering replacement wood parts specify:

1. profile number;
2. rough opening;
3. handing;
4. length;
5. finish.

## ORDERING REPLACEMENT PANELS FOR THE WOOD AND CLAD OUTSWING BI-FOLD DOOR

To order replacement panels specify:

1. Original order number
2. Panel OM (Note: Pane OM does not include astragals or weather strips)
3. Panel type—refer to panel and hinge configuration chart
4. Glazing type;
5. Interior finish;
8. Exterior color;
6. Glazing bead profile: Ogee or Square

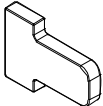
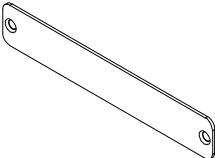
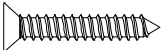
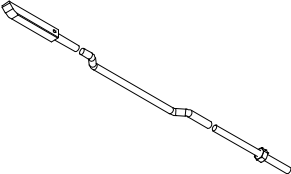
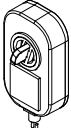


NOTE: Weather Strip is included with all panels (beige & bronze) and pile weather strip.

Active panels include multi-point lock system.

Folding panels include panel cover (beige, bronze) and dust block.

# PARTS FOR LOCK STATUS SENSOR

ILLUSTRATION NOT TO SCALE	DESCRIPTION	OPER./ COLOR	PART NO.
	Tailpiece, Non-keyed, Button Switch	SS	10501844
	Cover, Transmitter	BSS	10501822
	<b>#8-18 x 1" Type AB, Full Thread</b> <i>Used for Transmitter Cover</i> <i>Need quantity of 2 for each part</i>		11800769
	<b>Lock Rod, Transmitter Recess, Shoot Bolt, LH</b>	BSS	10501838
	<b>Lock Rod, Transmitter Recess, Shoot Bolt, RH</b>	BSS	10501841
	<b>Micro Switch Assembly</b>	BK	10501824