

MAGNUM DOUBLE, SINGLE AND TRIPLE HUNG MAGNUM HISTORIC DOUBLE, SINGLE AND TRIPLE HUNG

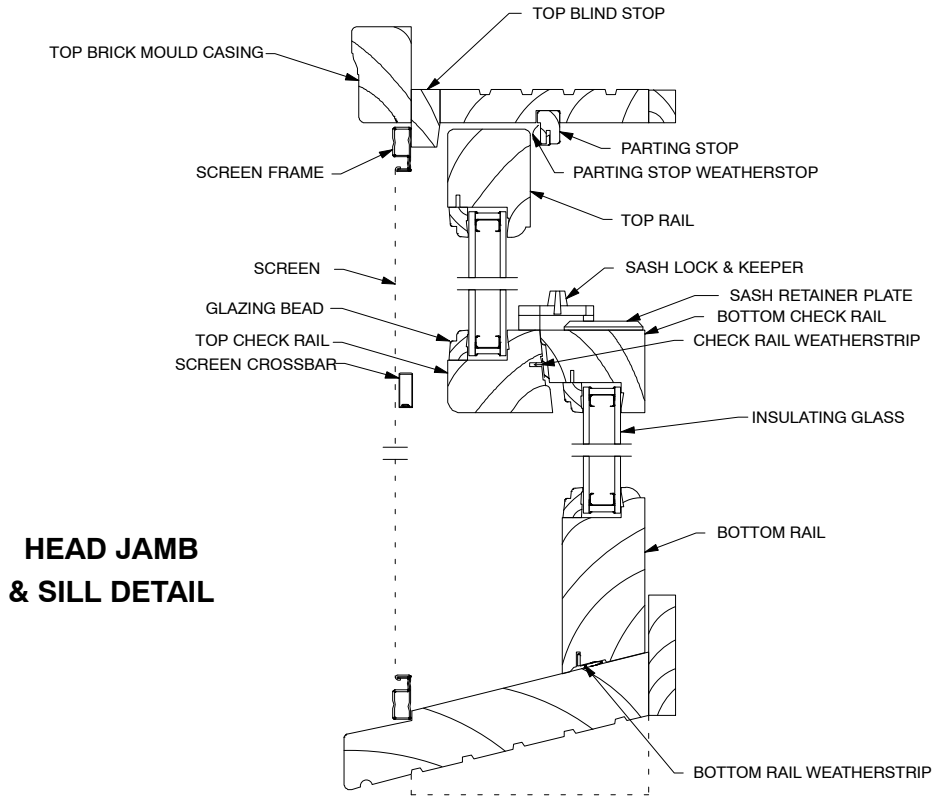
Table of Contents

	PAGE
History	2
Obsolete Product and Parts	
Part Identification – Wood Magnum Double Hung	4
Part Identification – Wood Magnum Single Hung	5
Part Identification – Wood Magnum Triple Hung	6
Part Identification – Wood Magnum Simulated Triple Hung	7
Part Identification – Wood Magnum 1 3/4" and 2 1/2" Picture Unit	8
Part Identification – Wood Magnum Historic Double Hung	9
Part Identification – Wood Magnum Historic Single Hung	10
Part Identification – Wood Magnum Historic Triple Hung	11
Part Identification – Wood Magnum Historic Simulated Triple Hung	12
Part Identification – Wood Magnum Historic 1 3/4" Picture Unit	13
Part Identification – Clad Magnum Double Hung	14
Part Identification – Clad Magnum Single Hung	15
Part Identification – Clad Magnum 1 3/4" and 2" Picture Unit	16
Obsolete Parts – Magnum	17
Obsolete Parts – Magnum Triple Hung	21
Obsolete Balances – Magnum Double Hung and Single Hung	23
Obsolete Jamb Liners – Magnum	24
Obsolete Replacement Wood Parts – Wood Magnum	25
Obsolete Replacement Wood and Aluminum Parts – Clad Magnum	26
Obsolete Replacement Wood Parts – Magnum Simulated Triple Hung	27
Obsolete Sash Replacement – Magnum	28
Obsolete Weather strip – Magnum	29
Obsolete Screens – Wood Magnum	30
Obsolete Screens – Clad Magnum	31
Obsolete Screen Parts – Magnum	32
Obsolete Energy Panels and Parts – Magnum Double, Single and Triple Hung	34
Obsolete Interior Energy Panels and Parts – Magnum Historic Double Hung, Single Hung & Triple Hung	35
Obsolete Combination Units and Parts – Wood Magnum and Magnum Historic Double Hung	37

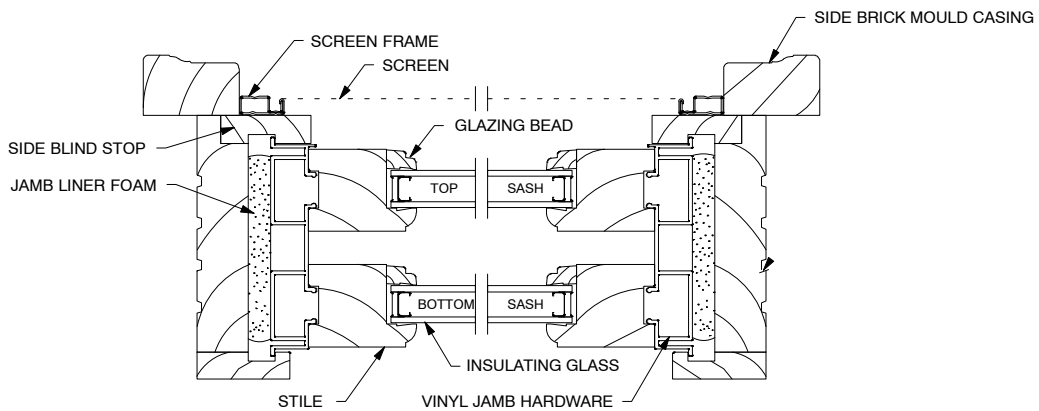
PRODUCED	UNIT TYPE	FEATURES OR CHANGES	STATUS
1984	Magnum Double Hung	Introduced Magnum Double Hung. Unit features 1 3/4" sash, white vinyl jamb liners and dual balance system.	2005
1985	Magnum Double Hung	Standard color on vinyl jamb liners changed from white to beige. Change from crescent style lock to cam style lock.	2005 1993
1985	Magnum Double Hung Tilt Pac	Introduced Magnum Double Hung Tilt Pac. Replacement kit contains: 1 3/4" sash, beige vinyl jamb liners, dual balance system and sash brackets.	Present
1986	Magnum Historical Double Hung, Single Hung and Tilt Pac	Introduced Magnum Historical Double Hung, Single Hung and Tilt Pac. Unit features historic profile muntin and bars, 1 3/4" sash, routed finger pulls, dual balance system, white vinyl jamb liners, white cam lock and (optional) white interior energy panel.	Present
1986	Magnum Single Hung and Single Hung Tilt Pac	Unit features 1 3/4" sash, dual balance system and beige vinyl jamb liners.	Present
1989	Clad Magnum Double Hung and Clad Tilt Pac	Introduced Clad Magnum Double Hung and Clad Magnum Tilt Pac. Unit features 1 3/4" sash, beige vinyl jamb liners and dual balance system. Clad exterior available in bronze, white and pebble gray.	Present
1991	Wood Magnum Simulated Triple Hung	Introduced Magnum Simulated Triple Hung. Unit features three 1 3/4" sash in frame (two fixed and one operating), beige vinyl jamb liners and dual balance system.	Present
1991	Clad Magnum Replacement System	Introduced Clad Magnum Replacement system. Replacement kit contains: two 1 3/4" sash, beige vinyl jamb liners, dual balance system and frame panning.	Present
1991	Wood and Clad Magnum Units	Locks no longer offset on ADL units with center bar. Munt routed for keeper.	Present
1992	Wood Magnum Triple Hung	Introduced Wood Magnum Triple Hung. Unit features three 1 3/4" sash in frame (counter balanced top and bottom sash with stationary center sash). Beige vinyl jamb liners.	Present
1992	Wood Magnum Units	Simulated divided lite introduced.	Present
1993	Wood and Clad Magnum Double Hung, Single Hung, Tilt Pac and Wood Magnum Triple Hung and Simulated Triple Hung	Sash lock changed to spring loaded sash lock.	Present
1993	Clad Magnum Units	Simulated divided lite introduced.	Present
1993	Clad Magnum Double Hung and Clad Tilt Pac	Factory applied brick mould casing introduced.	Present
1994	Magnum Historical Double Hung, Single Hung and Tilt Pac	Interior energy panel surround changed from vinyl to metal. Energy panel fastening clip changed from butterfly clip to push/pull panel clip.	Present
2002	Clad Magnum Units	3/02 Stone White becomes a standard color. Arctic White transitions to a select color.	Present
2003	Wood Magnum Units, Clad Magnum Units, Magnum Historical Double Hung, Single Hung and Tilt Pac	3/31/03 Satin Taupe (TP) hardware replaces bronze as standard.	Present
2005	Wood and Clad Ultimate Double Hung Magnum	8/1/05 Introduced the Ultimate Double Hung Magnum. The Magnum Double Hung line retires.	Present
2008	Wood and Clad Ultimate Double Hung Magnum	6/02/2008 Introduced charcoal colored high transparency screen mesh (CH HI-TRAN) as an option on all window and door products (including combinations).	Present

PRODUCED	UNIT TYPE	FEATURES OR CHANGES	STATUS
2008	Clad Ultimate Double Hung Magnum	7/28/2008 Mixed grain Douglas fir is now a standard option.	Present
2009	All	3/23/2009 Added LoE ³ -366™ as a standard option for all products. Added Cedro Macho as a standard option for all clad products.	Present
2011	All	04/25/2011 Added LoE ³ -180™ as a standard option for all products. White painted interior finish option introduced for all products.	Present
2012	WUDHM and CUDHM	04-30-2012 Introduced a new screen design as standard.	Present
	WUDHM and CUDHM	10-29-2012 Interior Square Sticking/Glazing Bead option introduced.	
	All	12-17-2012 Introduced Clear interior finish option on all products.	
2013	All	04/29/2013 Introduced interior stain options. Stain colors are Wheat, Honey, Leather, Hazelnut, Cabernet and Espresso.	Present
2016	All	10/31/2016 Obsolescence of the wood species Cedro Macho for all products.	Present
2017	All	10/30/2017 Discontinued Ep colors with exception of Stone White and Bronze	Present
2017	All	10/30/2017 Began discontinuation of old style Magnum frame parts and Panning System.	Present
2018	Wood Magnum Tilt Pac	2/26/2018 Discontinue IG ADL, and SG. Remove vertical grain Douglas Fir and Mahogany as species option in OMS (available as custom specie option).	Present
2018	Wood Magnum Double Hung	2/26/2018 Remove Magnum Double Hung 1 3/4" & 2" Picture Sash from OMS.	Present

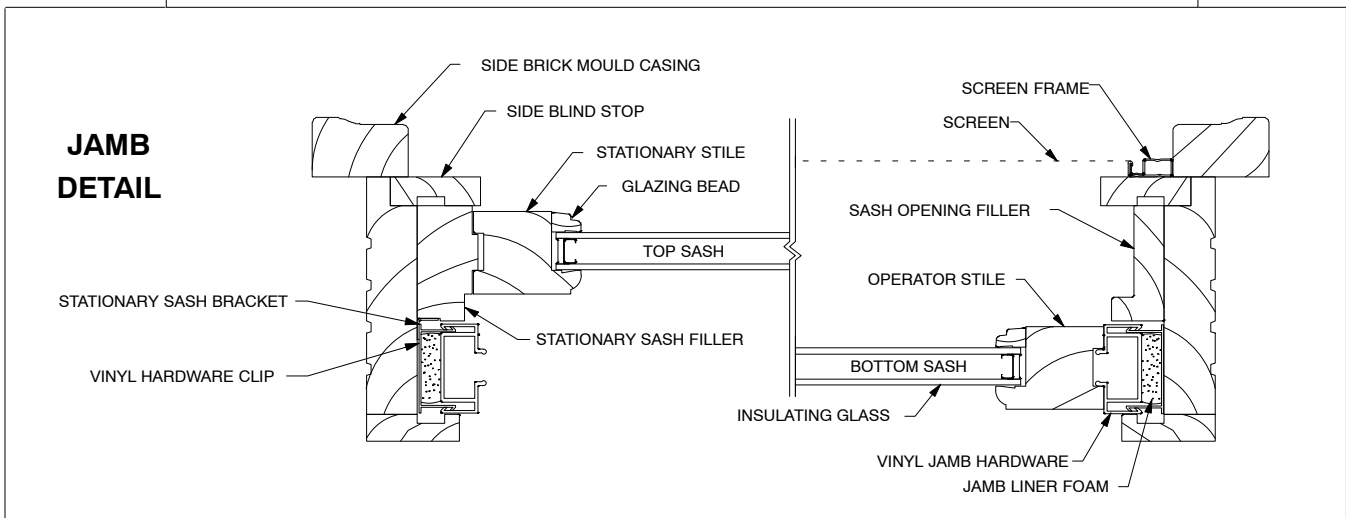
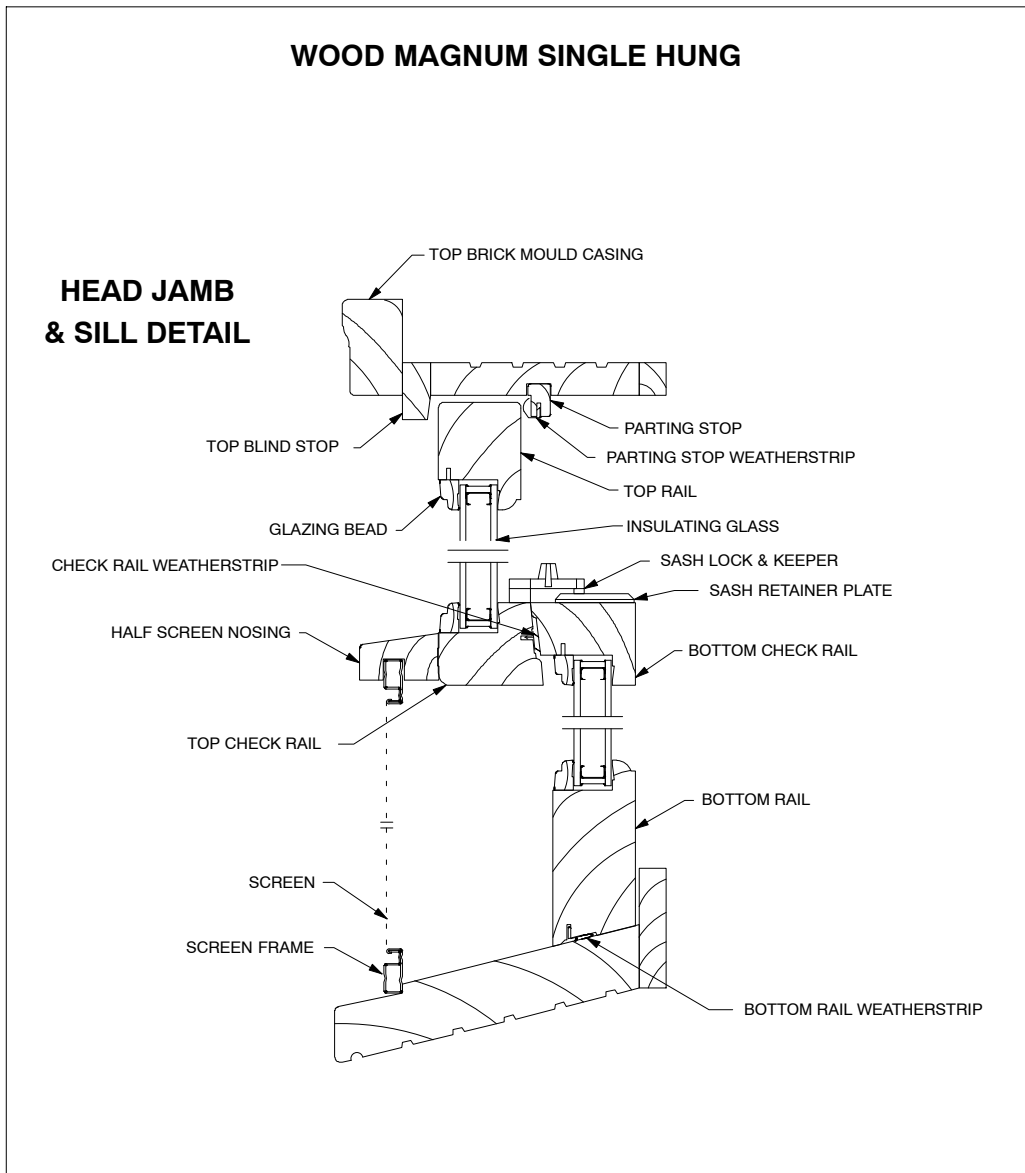
WOOD MAGNUM DOUBLE HUNG



JAMB DETAIL

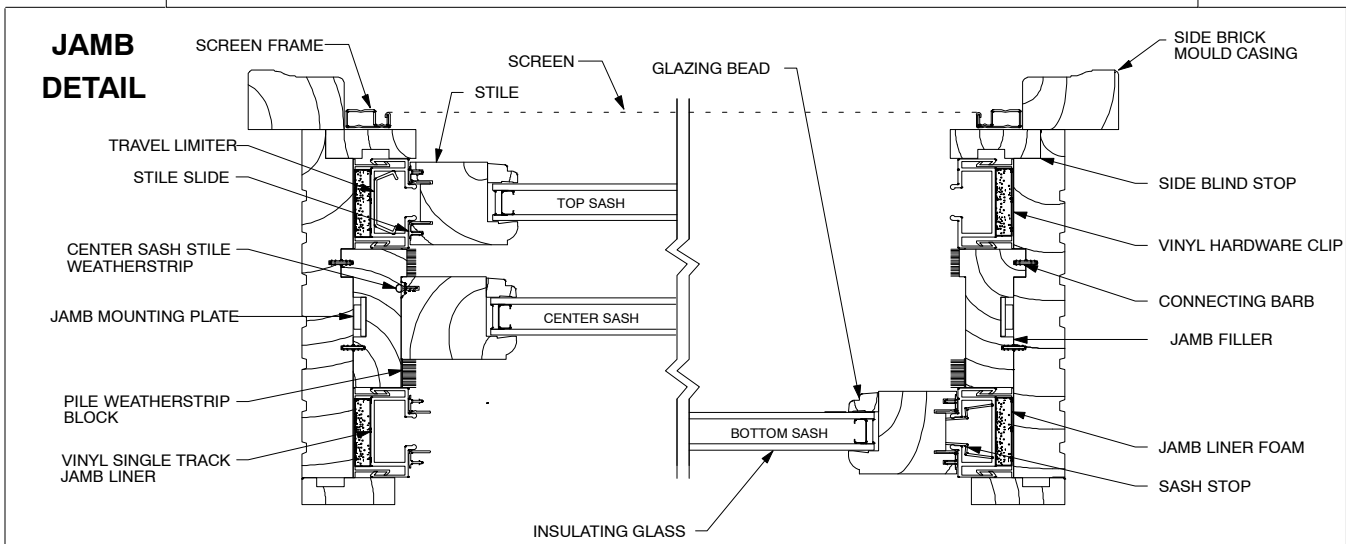
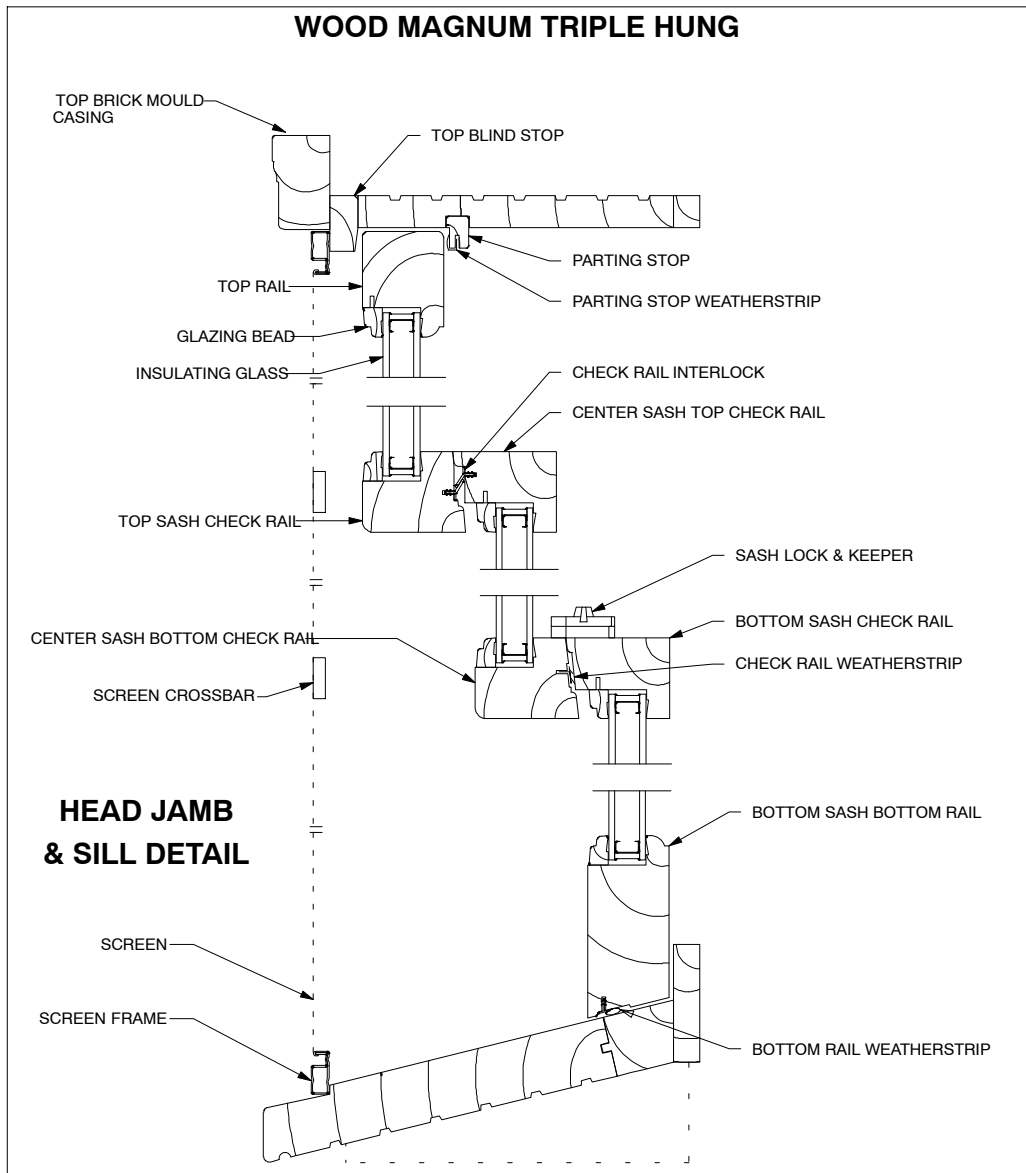


NOTE: Not to scale; specifications subject to change without notice.



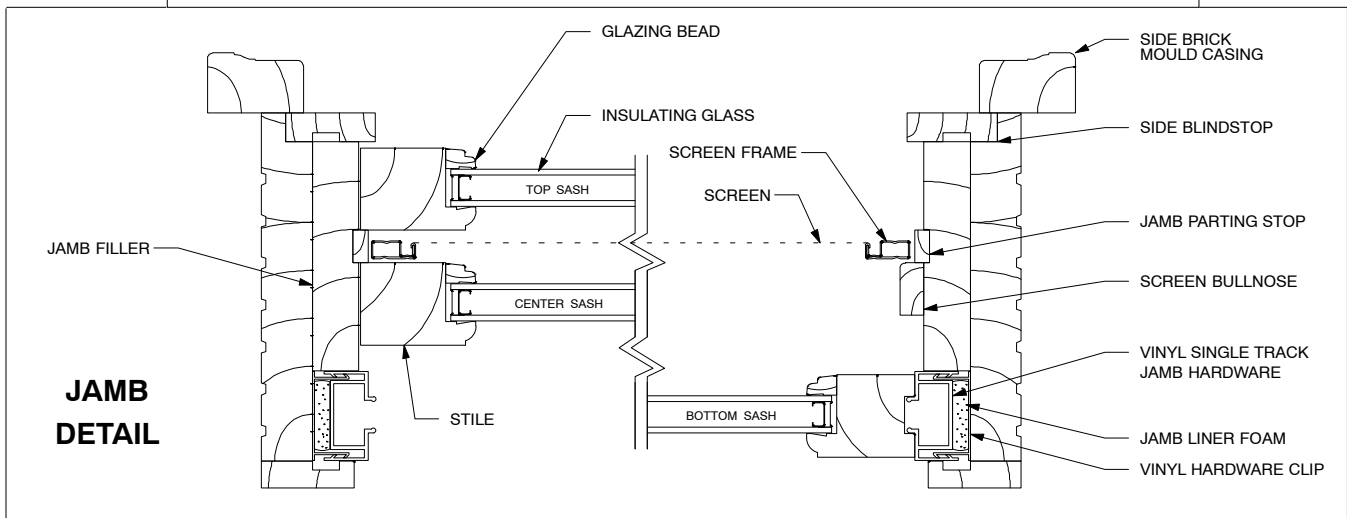
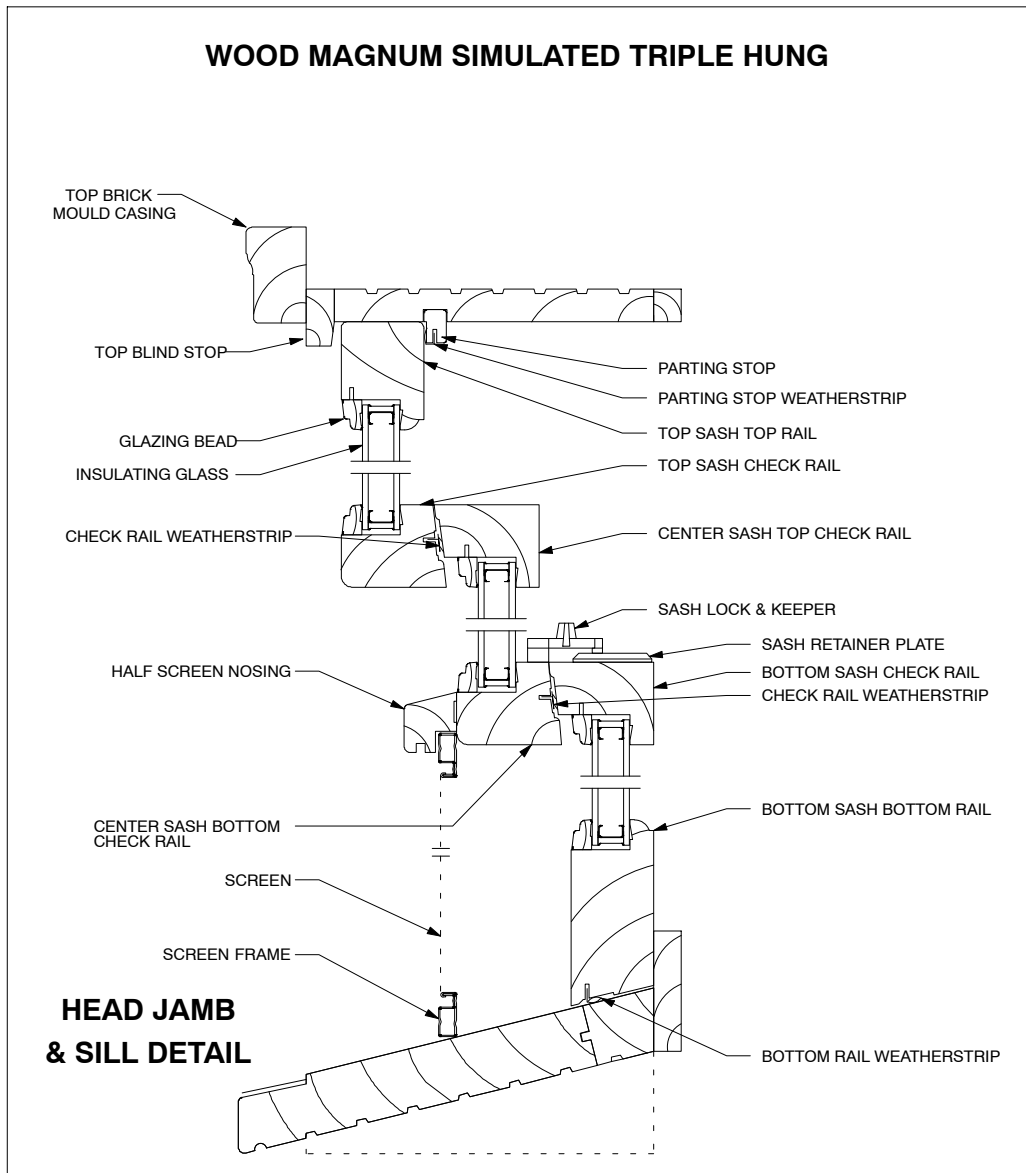
NOTE: Not to scale; specifications subject to change without notice.

WOOD MAGNUM TRIPLE HUNG
OBSOLETE PART IDENTIFICATION

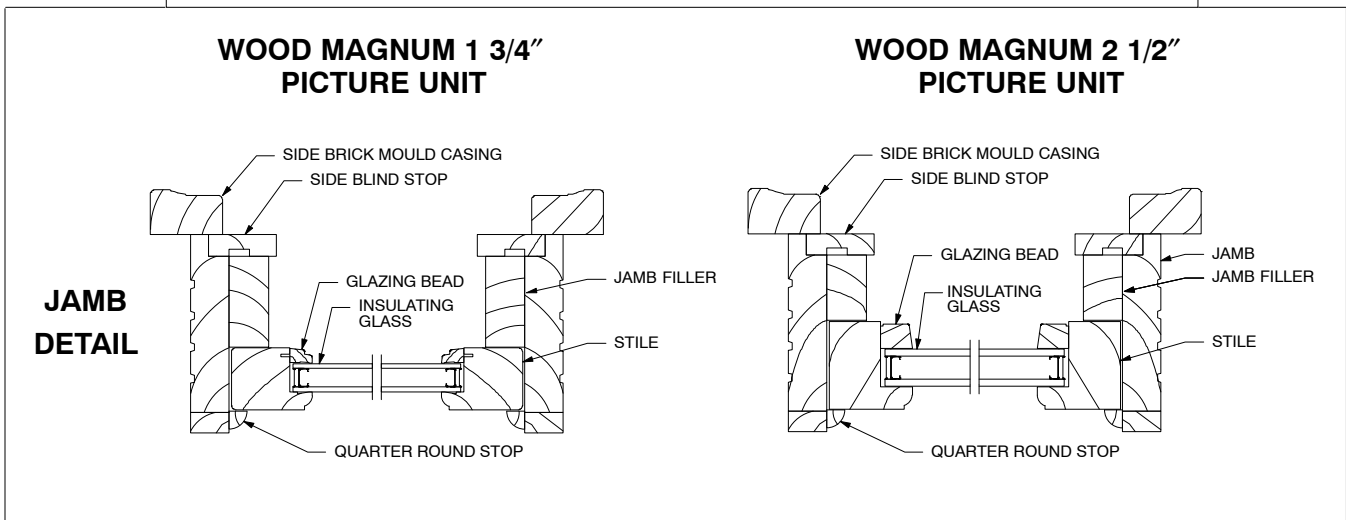
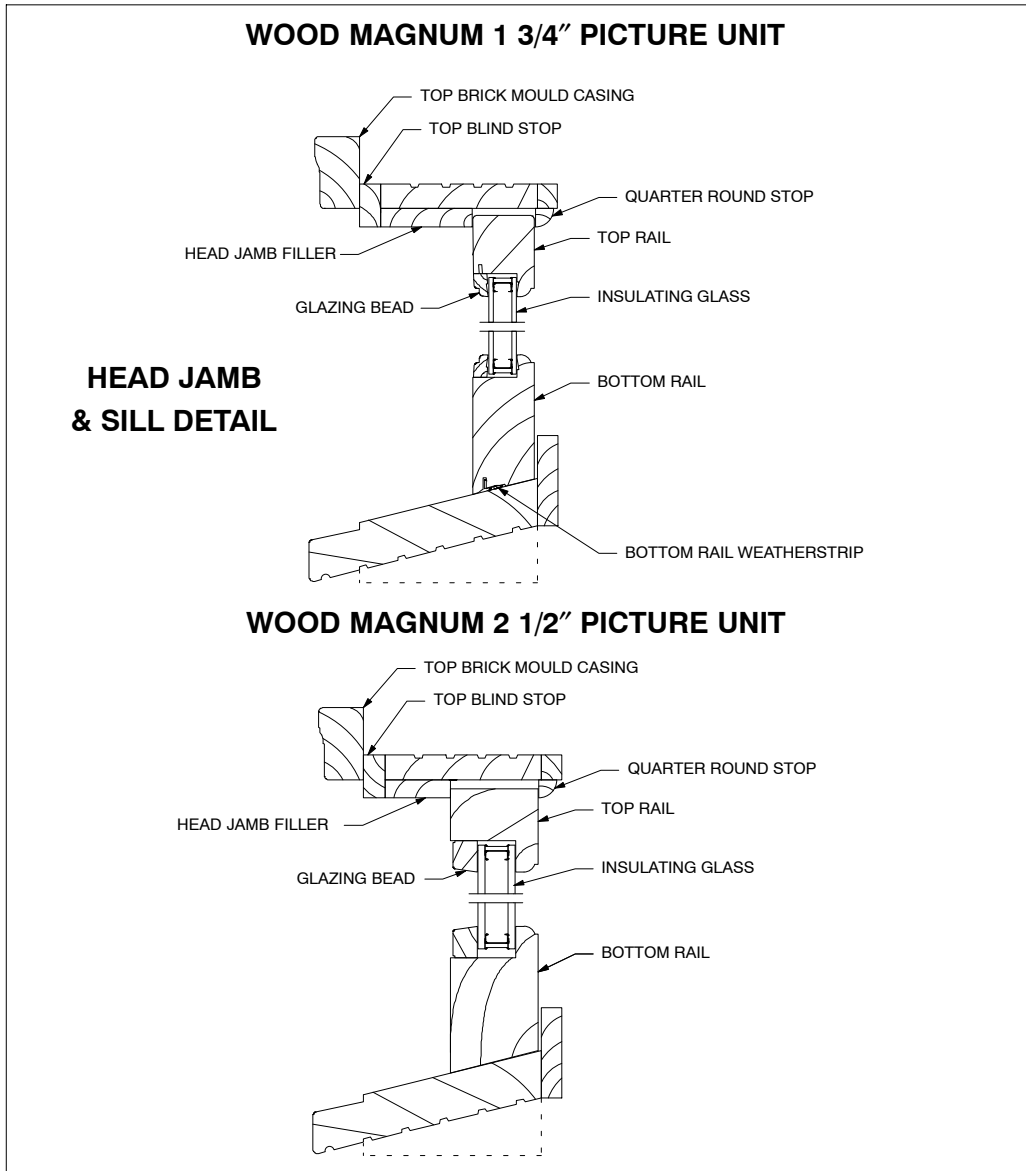


NOTE: Not to scale; specifications subject to change without notice.

WOOD MAGNUM SIMULATED TRIPLE HUNG
OBSOLETE PART IDENTIFICATION



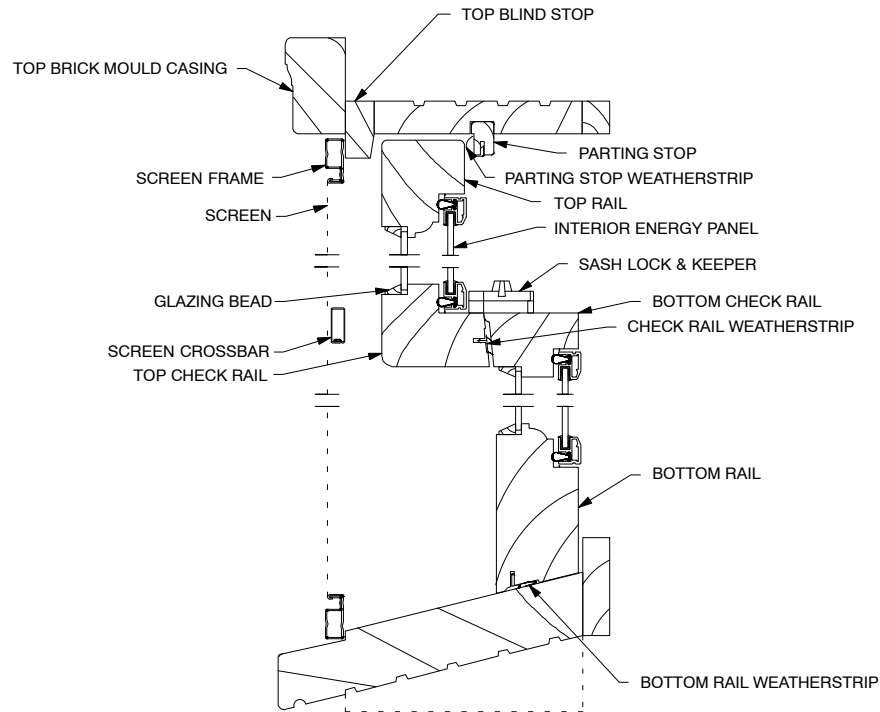
NOTE: Not to scale; specifications subject to change without notice.



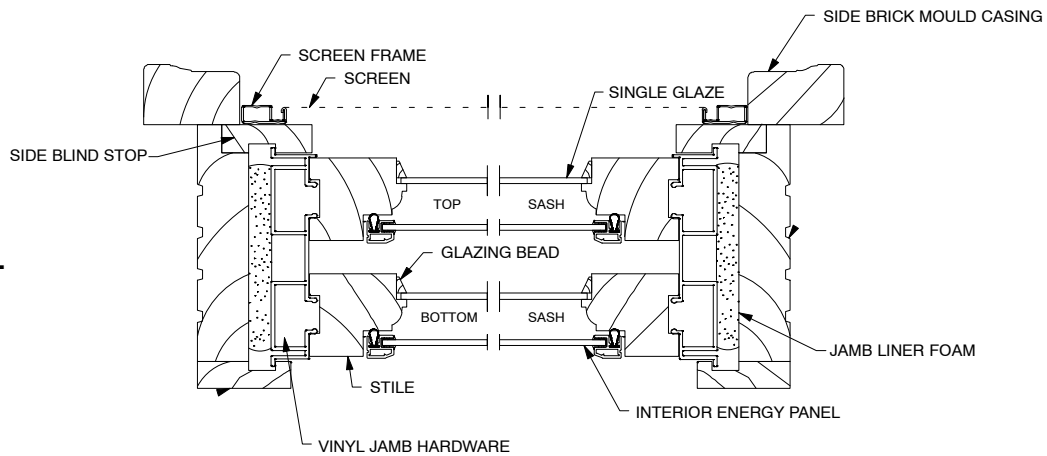
NOTE: Not to scale; specifications subject to change without notice.

WOOD MAGNUM HISTORIC DOUBLE HUNG

**HEAD JAMB
 & SILL DETAIL**

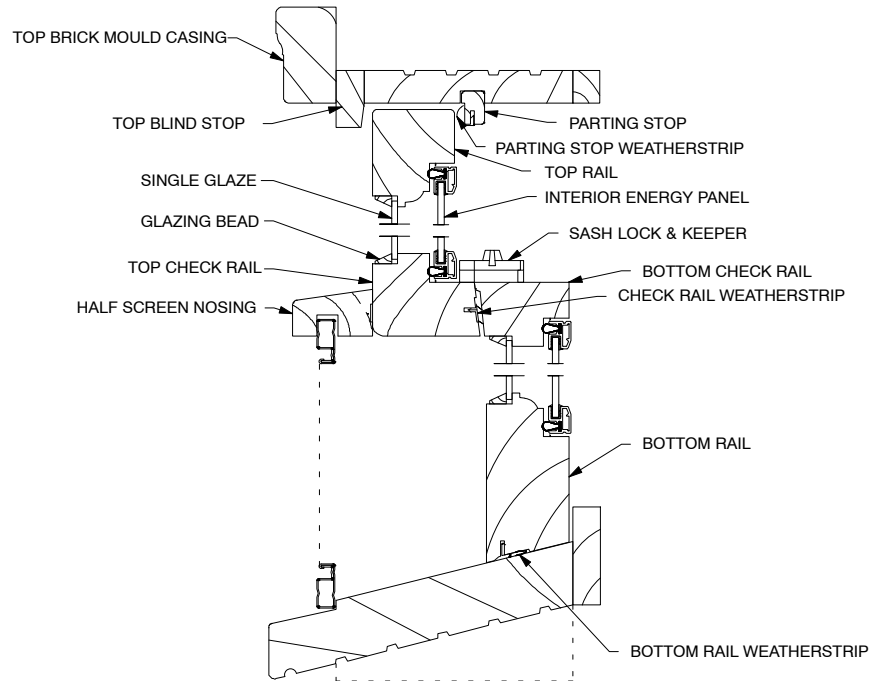


**JAMB
 DETAIL**

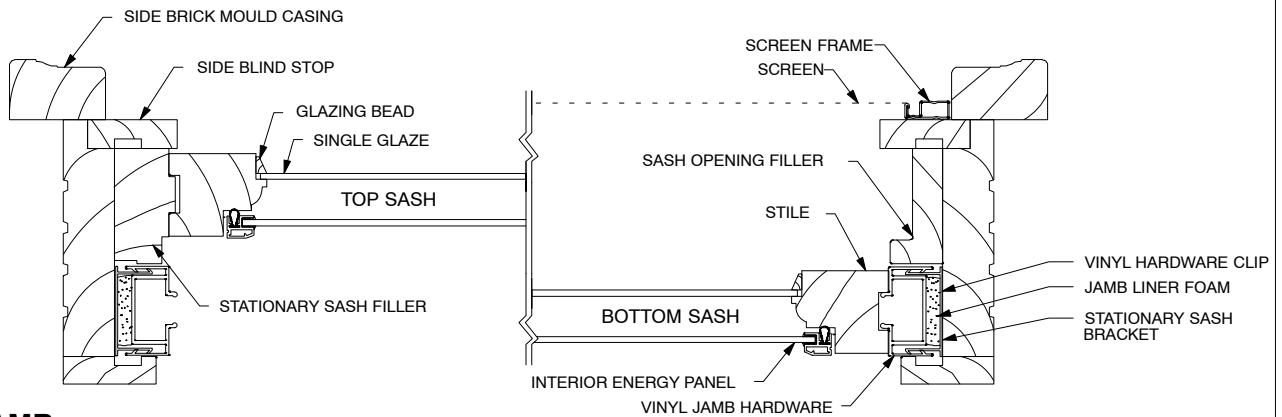


NOTE: Not to scale; specifications subject to change without notice.

WOOD MAGNUM HISTORIC SINGLE HUNG

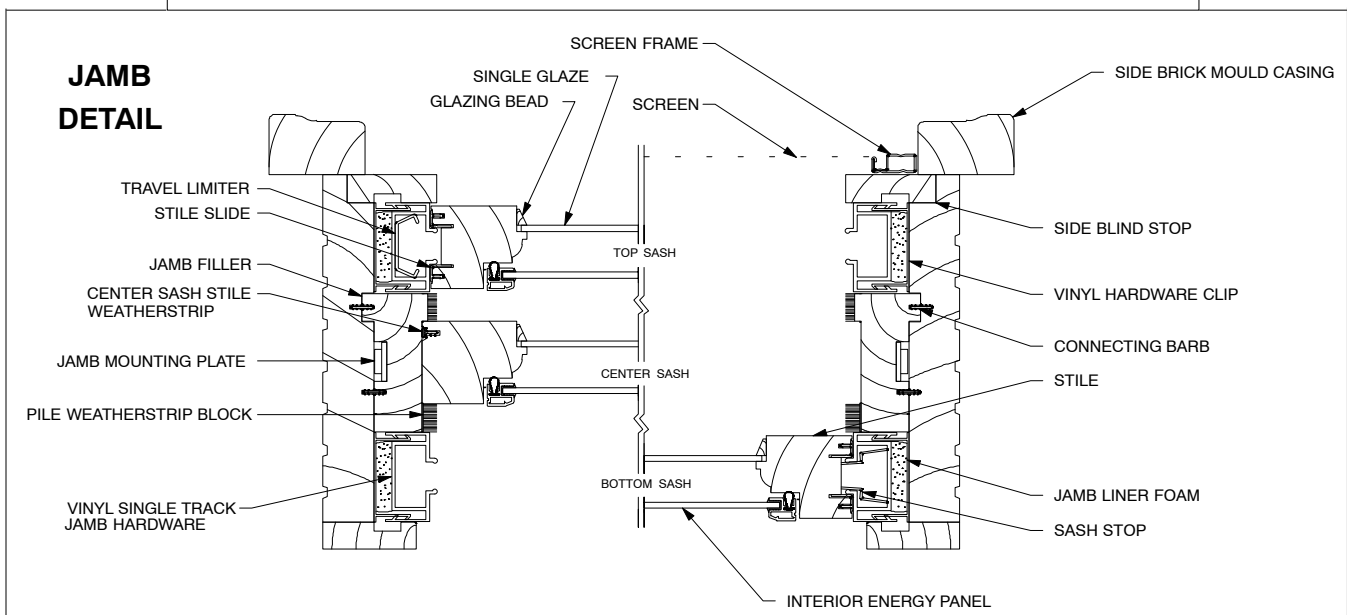
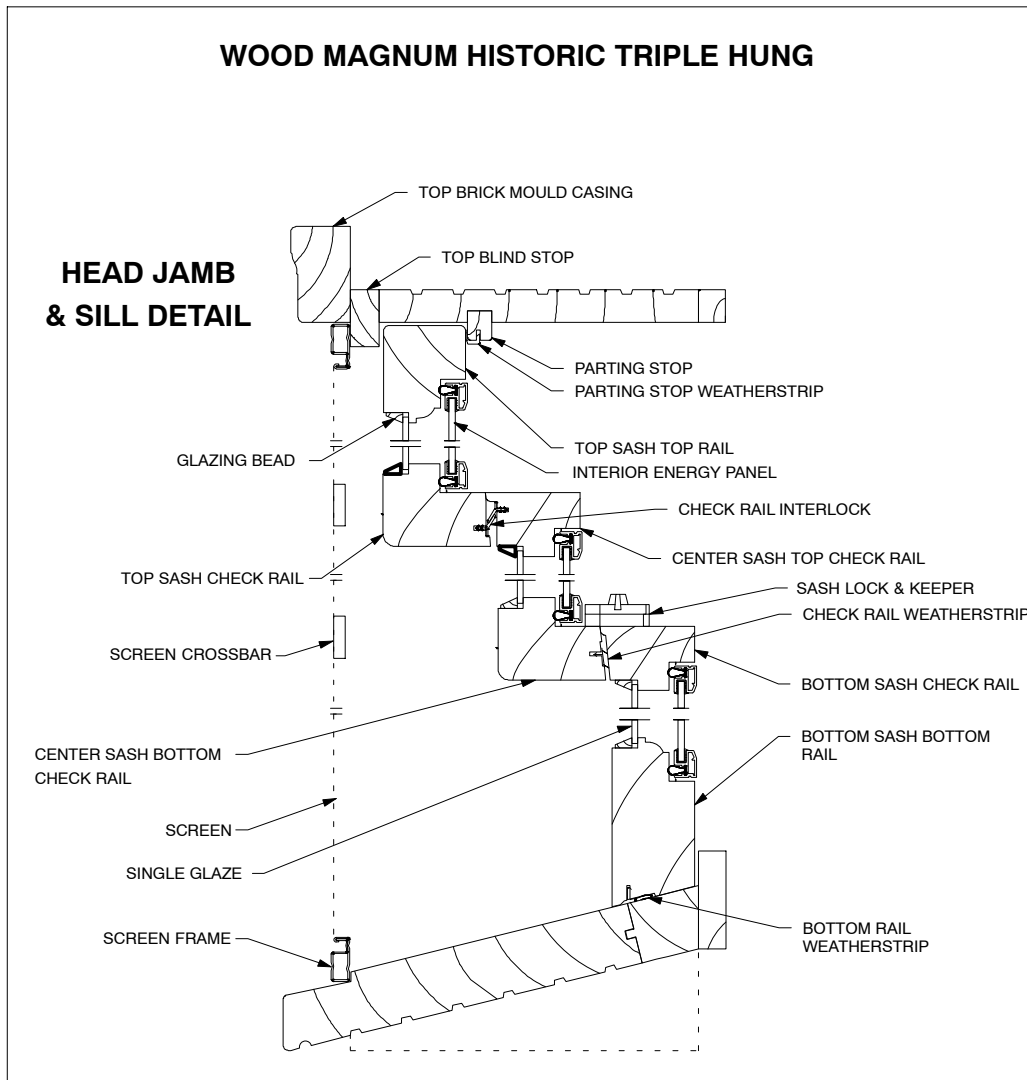


**HEAD JAMB
 & SILL DETAIL**



**JAMB
 DETAIL**

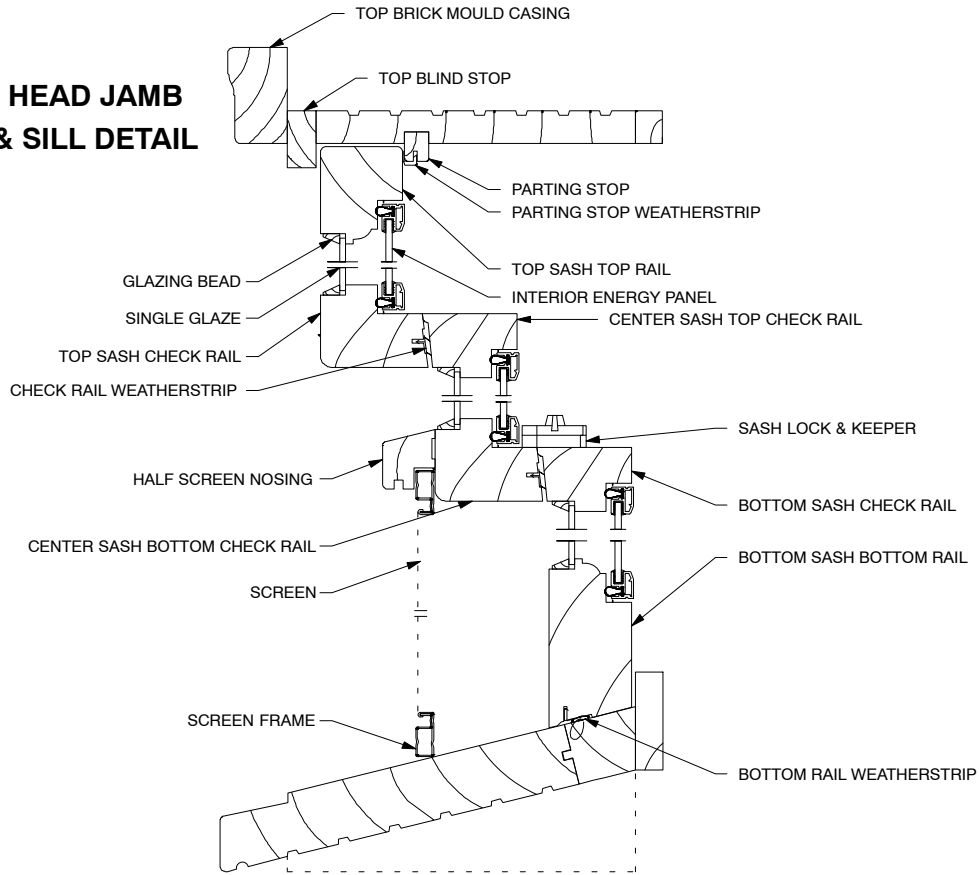
NOTE: Not to scale; specifications subject to change without notice.



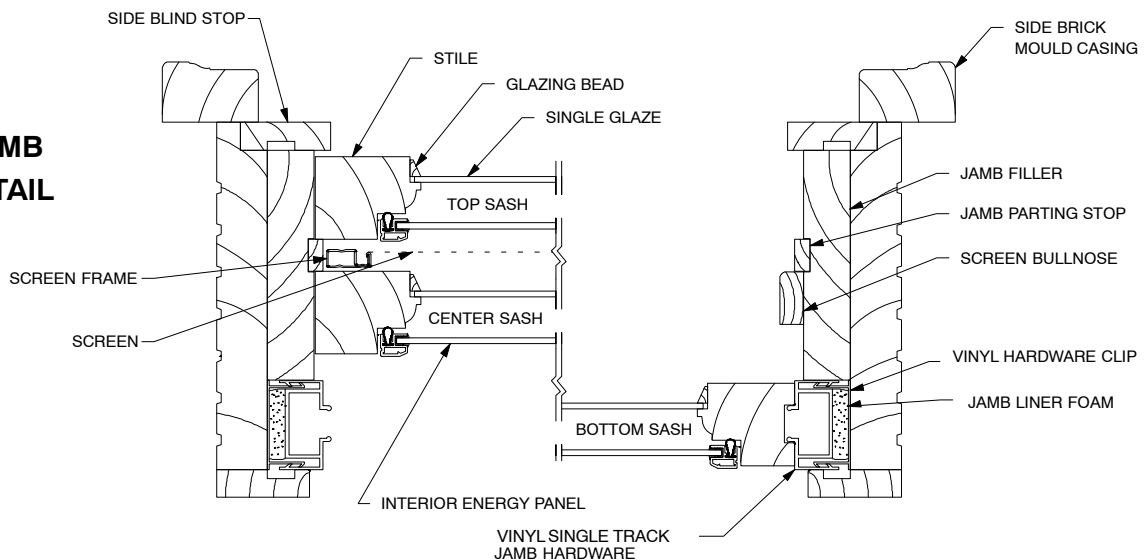
NOTE: Not to scale; specifications subject to change without notice.

WOOD MAGNUM HISTORIC SIMULATED TRIPLE HUNG

HEAD JAMB & SILL DETAIL



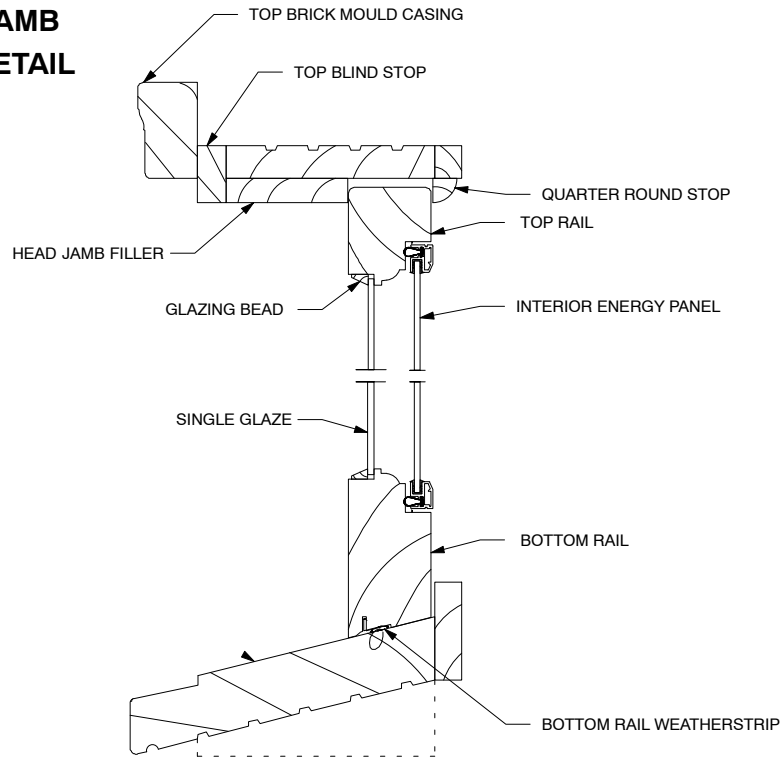
JAMB DETAIL



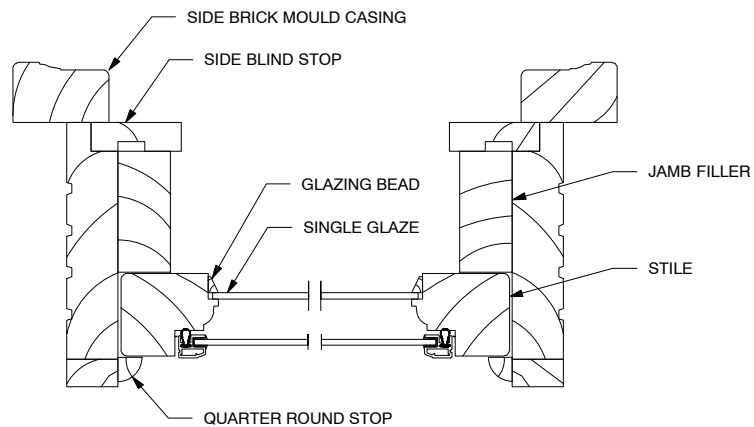
NOTE: Not to scale; specifications subject to change without notice.

WOOD MAGNUM HISTORIC 1 3/4" PICTURE UNIT

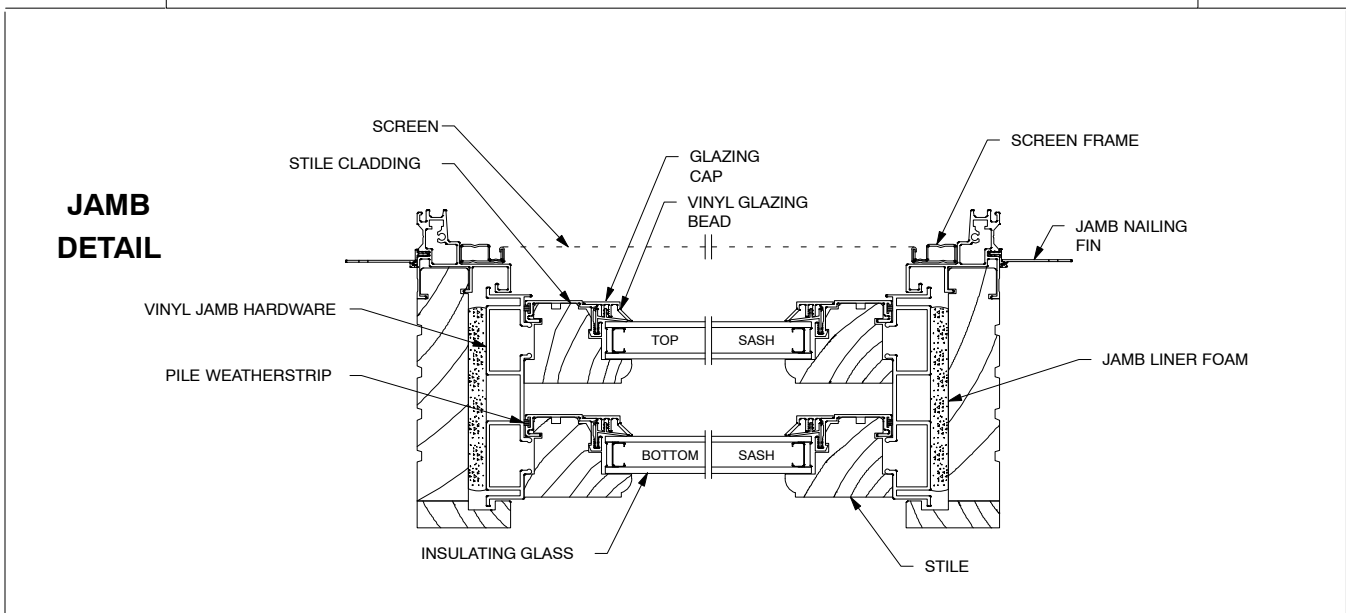
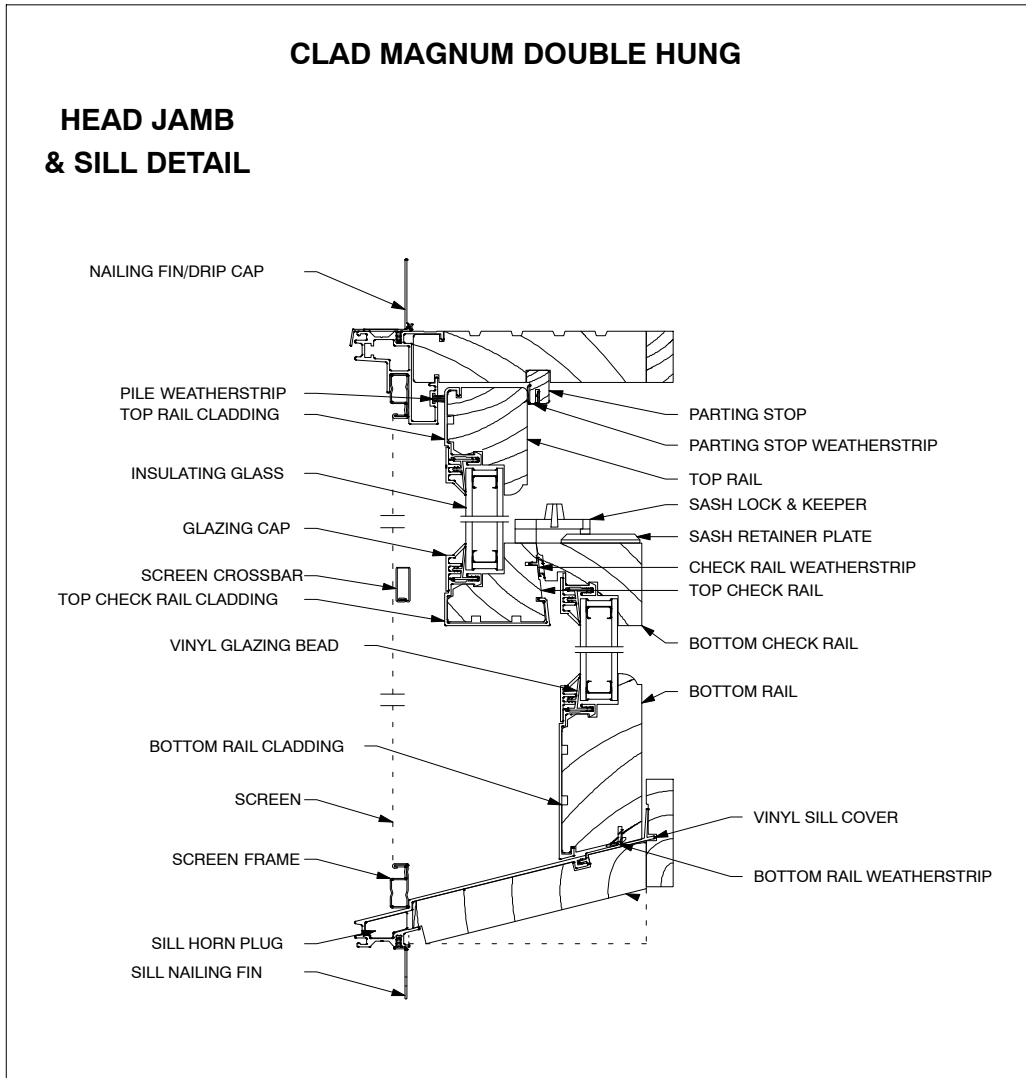
**HEAD JAMB
 & SILL DETAIL**



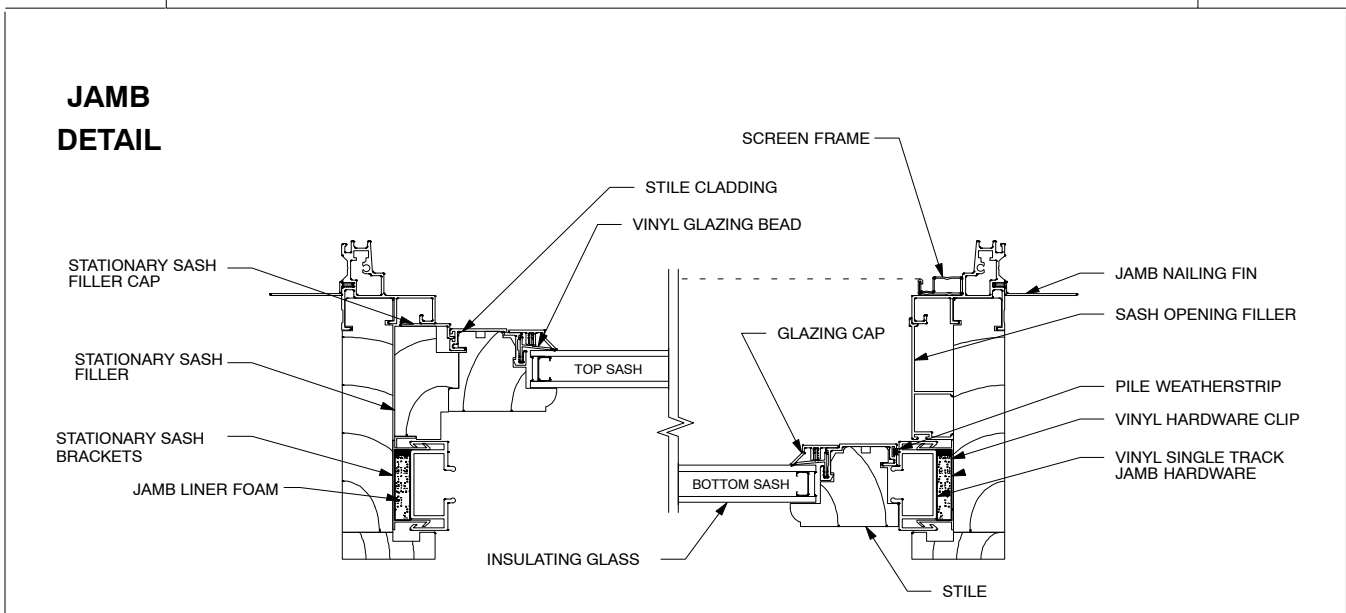
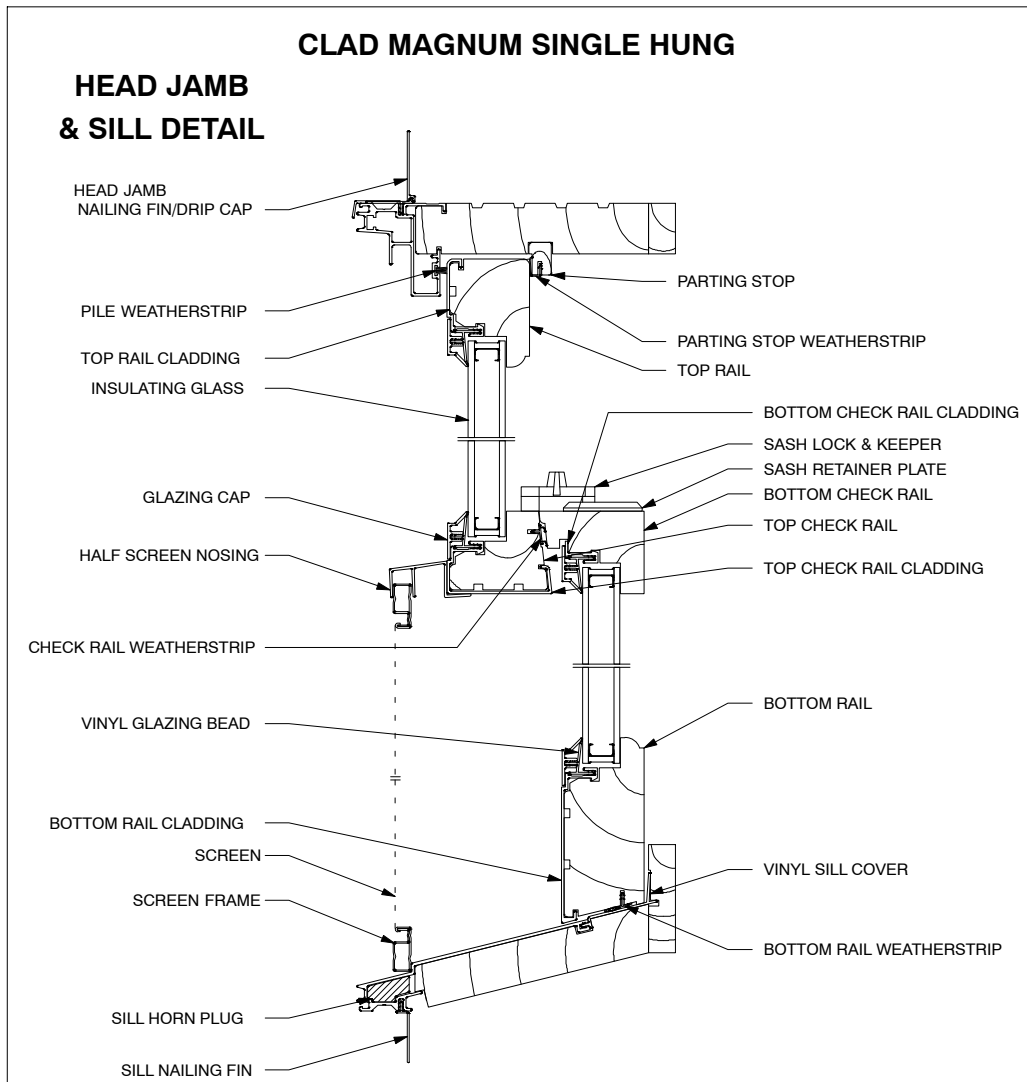
**JAMB
 DETAIL**



NOTE: Not to scale; specifications subject to change without notice.



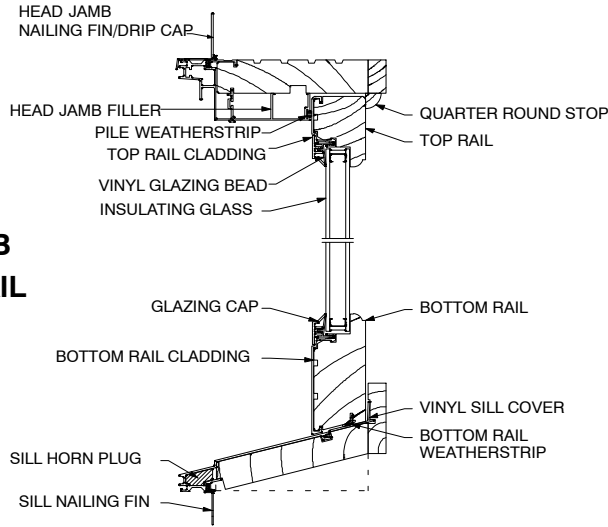
NOTE: Not to scale; specifications subject to change without notice.



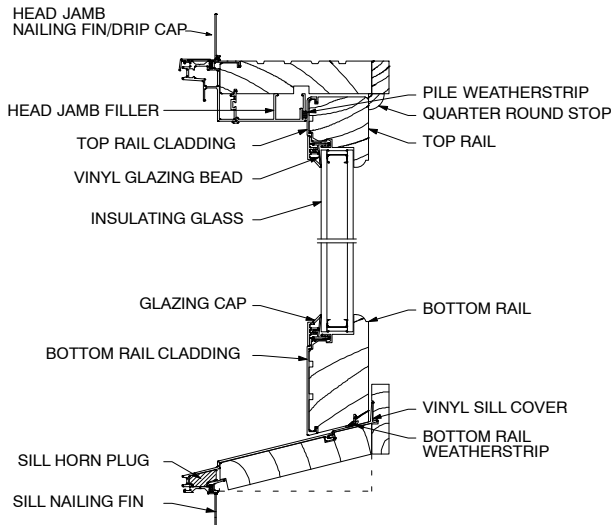
NOTE: Not to scale; specifications subject to change without notice.

CLAD MAGNUM 1 3/4" PICTURE UNIT

HEAD JAMB & SILL DETAIL

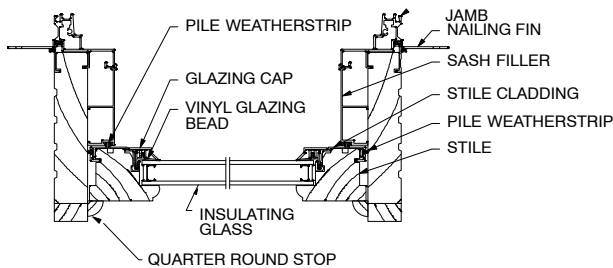


CLAD MAGNUM 2" PICTURE UNIT

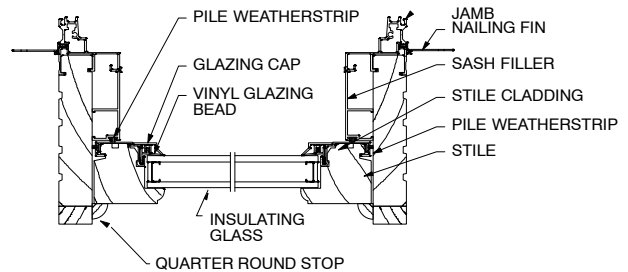


CLAD MAGNUM 1 3/4" PICTURE UNIT

JAMB DETAIL



CLAD MAGNUM 2" PICTURE UNIT



NOTE: Not to scale; specifications subject to change without notice.

When ordering replacement Magnum parts specify:

- 1.type of unit;
- 2.part number;
- 3.description.

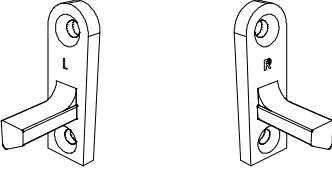
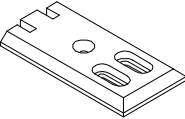
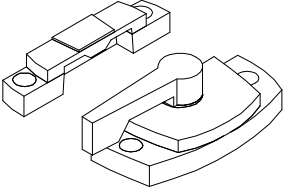
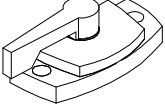
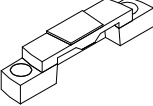
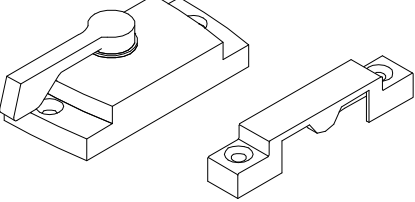
ILLUSTRATION NOT TO SCALE	DESCRIPTION	OPER/ COLOR	PART NO.
 <p>Left Hand Right Hand</p>	<p>Sash Pivot</p> <p><i>Includes:</i> 1 – Sash pivot 2 – #10 x 1” Phillips flathead wood screws</p> <p>NOTE: Pivot handing is viewed from the interior</p>	<p>LH RH</p>	<p>11870462 11870463</p>
	<p>Sash Retainer Plate</p> <p><i>Includes:</i> 1 – Sash retainer plate 3 – #8 x 1” Phillips flathead wood screws</p>	<p>TP BZ WH</p>	<p>11870468 11870464 11870500</p>
	<p>Sash Lock and Keeper, Complete</p> <p><i>Includes:</i> 1 – Sash lock TP – 10818034 BZ – 10818033 WH – 10840026 1 – Keeper TP – 10818035 BZ – 10818032 WH – 10840012 4 – #7 x 7/8” Phillips flathead wood screws</p> <p style="text-align: right;">Package of 200</p>	<p>TP BZ WH</p> <p>TP BZ WH BS</p>	<p>11869399 11869395 11869396</p> <p>11900925 11900920 11900910 NA</p>
	<p>Sash Lock</p> <p><i>Includes:</i> 1 – Sash lock 2 – #7 x 7/8” Phillips flathead wood screws</p>	<p>TP BZ WH BS</p>	<p>10818034 10818033 10840026 05600082</p>
	<p>Keeper</p> <p><i>Includes:</i> 1 – Keeper 2 – #7 x 7/8” Phillips flathead wood screws</p>	<p>TP BZ WH BS</p>	<p>10818035 10818032 10840012 05600083</p>
	<p>Historic Sash Lock and Keeper, Complete</p> <p><i>Includes:</i> 1 – Historical sash lock WH – 10840013 BS – available in package only 1 – Keeper WH – 10840014 BS – available in package only 4 – #6 x 1” Phillips flathead wood screws</p>	<p>WH BS</p>	<p>11869383 05600044</p>

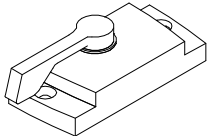
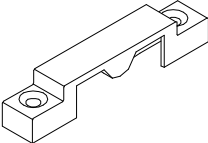
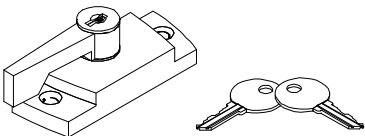
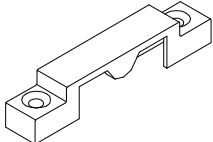
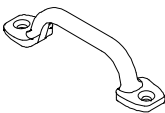

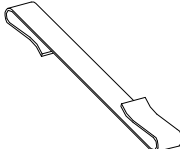
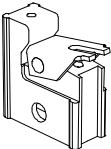
ILLUSTRATION NOT TO SCALE	DESCRIPTION	COLOR	PART NO.
	Historic Sash Lock <i>Includes:</i> 1 – Historical sash lock 2 – #6 x 1" Phillips flathead wood screws	WH	10840013
	Keeper, Historic <i>Includes:</i> 1 – Keeper 2 – #6 x 1" Phillips flathead wood screws	WH	10840014
	Sash Lock, Keyed <i>Includes:</i> 1 – Keyed lock 2 – Keys 2 – #6 x 1" Phillips flathead wood screws	TP BZ WH	05590634 05590632 05590633
	Keeper For keyed sash lock <i>Includes:</i> 1 – Keeper 2 – #6 x 1" Phillips flathead wood screws	TP BZ WH	10817047 10817043 10840014
	Sash Lift <i>Includes:</i> 1 – Sash lift 2 – #8 x 1" Slotted ovalhead screws TP – 11800886 WH – 11800887 BZ – 11800888 BS – 11800889	TP BZ WH BS	10500598 10500557 10500556 10500558
	S-Hook, Short, 1/4" (6) Wide Need 1 per balance or 4 per sash Top sash balance		11870727
	S-Hook, Long, 1/4" (6) Wide Need 1 per balance or 4 per sash Bottom sash balance		11870731
	Locking Terminal		11870460

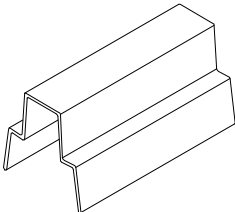
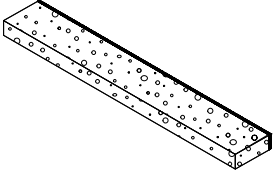
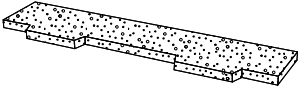
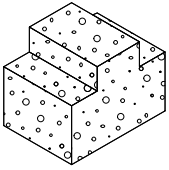
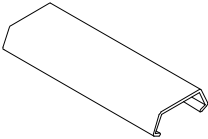
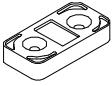
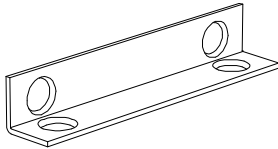
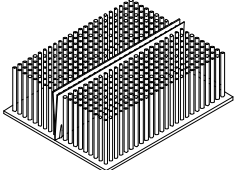
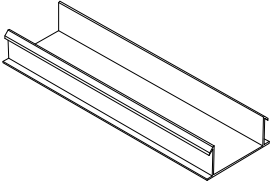
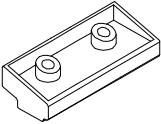
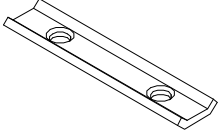
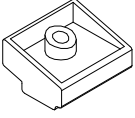
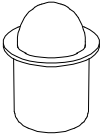
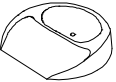
ILLUSTRATION NOT TO SCALE	DESCRIPTION	OPER./ COLOR	PART NO.
	<p>Sash Stop, Vinyl V458</p> <p>When ordering specify:</p> <ol style="list-style-type: none"> 1. length; 2. part number; 3. color. 		
	<p style="text-align: right;">1 3/4" (44)</p>	<p>WH BG</p>	<p>11870135 11870134</p>
	<p style="text-align: right;">60" (1524)</p>	<p>WH BG</p>	<p>11870998 11870999</p>
	<p>Jamb Liner, Foam M004 With PVC edge 9/16" x 1 7/16" Magnum Single Hung and Simulated Triple Hung</p>	<p>Specify Length</p>	<p>10500014</p>
	<p>Foam Gasket M0124</p>	<p>WH</p>	<p>11869514</p>
	<p>Foam Plug (Chimney Block) M0129 1 3/8" x 1" x 1" Located at the bottom of the vinyl jamb liner</p>	<p>WH</p>	<p>10500205</p>
	<p>Sash Limiter, Top Sash V454 Specify length needed</p>	<p>BG WH</p>	<p>11870997 11870996</p>
	<p>Sash Limiter, Bottom Sash M726 <i>Includes:</i> 1 – Sash limiter 2 – #6 x 5/8" Phillips flathead wood screws</p>	<p>BG</p>	<p>05070431</p>
	<p>Stationary Sash Bracket <i>Includes:</i> 1 – Bracket 4 – #7 x 7/8" Phillips flathead wood screws</p>	<p>ZYD</p>	<p>11100300</p>
	<p>Fin Seal Pad</p>		<p>10500223</p>

ILLUSTRATION NOT TO SCALE	DESCRIPTION	OPER./ COLOR	PART NO.
	Hardware Clip, Vinyl V611 <i>Includes:</i> 1 – Clip 2 – #7 x 3/4" Phillips panhead wood screws Magnum Single Hung, Simulated Triple Hung and Triple Hung Specify length needed	WH	16215004
	Sill Horn Mulling Plug, Clad M055 <i>Includes:</i> 1 – Plug 2 – Screws	Zinc	No longer available
	Head Jamb Mulling Tie Bar, Clad M976 <i>Includes:</i> 1 – Tie bar 2 – Screws	Mill Finish	11100900
	Sill Plug, Clad MISC 054 <i>Includes:</i> 1 – Plug 1 – Screw	CL	11867824
	Bullet Catch, Historical	BS	01010459
	Bullet Catch Receiver, Historical	BS	01010457

When ordering replacement Magnum parts specify:

1. type of unit;
2. part number;
3. description.

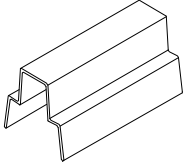
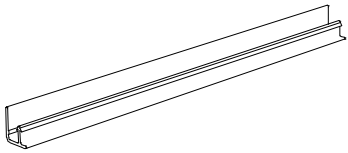
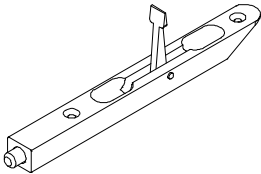
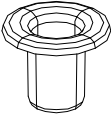

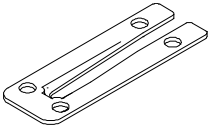
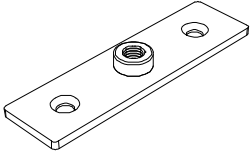
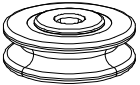

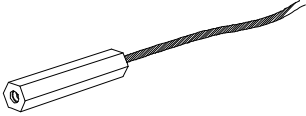
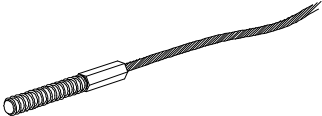
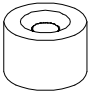
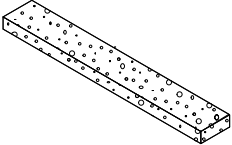
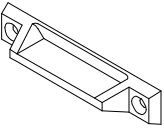
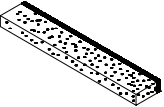
ILLUSTRATION NOT TO SCALE	DESCRIPTION	OPER./ COLOR	PART NO.
	Sash Stop, Vinyl V458 60" (1524)	BG WH	11870999 11870998
	Stile Slide V233 96" (2438) 120" (3048)	BG	15619997 15619998
	Jamb Bolt, Solid Brass M630 <i>Includes:</i> 1 - Jamb bolt	BS	00143068
	Thimble M629 Jamb bolt receiver	BS	Check for availability
	Post, Sash Mount 1/4" x 1 1/4" Hex Socket Machine Screw		02061459
	Sash Mount M606 <i>Includes:</i> 1 - Sash mount 4 - #6 x 1 1/2" Phillips flathead wood screws		11860023
	Jamb Mounting Plate M093 <i>Includes:</i> 1 - Jamb mounting plate 2 - #8 x 3/4" Phillips flathead wood screws	Mill Finish	11860040
	Pulley, Steel M625		02165528
	Bracket M623 Used with Pulley <i>Includes:</i> 1 - Bracket 1 - #10 x 3/4" Phillips head machine screw (bracket) 1 - #10 x 2" slotted machine screw (pulley) 1 - 7/16" spacer nut (pulley)		02165529

ILLUSTRATION NOT TO SCALE	DESCRIPTION	OPER./ COLOR	PART NO.
	<p>Cable M628 With female receptacle Specify daylight opening height of 1 sash</p>		02165526
	<p>Cable M627 With male stud Specify daylight opening height of 1 sash</p>		02165525
	<p>Ball End M624</p>		02165527
	<p>Vinyl Jamb Liner Foam M632 1 15/32" x 9/16"</p>	Specify Length	10500030
	<p>Sash Lift <i>Includes:</i> 1 - Sash lift 2 - #10 x 1" Phillips flathead wood screws</p>	BZ WH BS	10818030 10840015 05600040
	<p>Jamb Liner, Foam With PVC edge 7/16" x 2 3/4" Magnum Double Hung Tilt Pac</p>	Specify Length	10500008

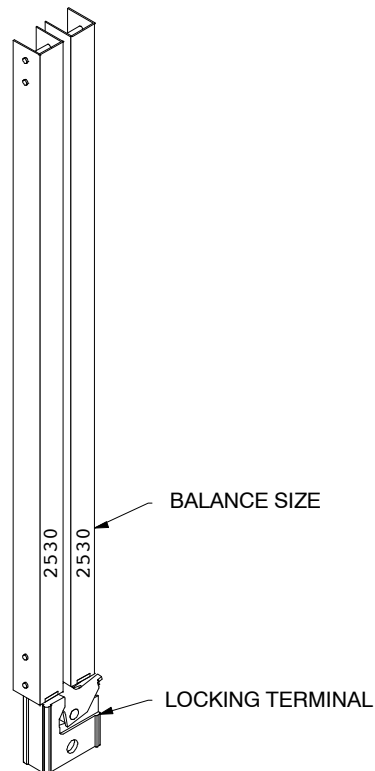
DUAL BALANCE SYSTEMS FOR THE MAGNUM DOUBLE HUNG AND SINGLE HUNG.

Manufacturer numbers are stamped on the balance tube assembly above the locking terminal.

When ordering a replacement dual balance system, specify the following:

1. Original order number if available
2. The balance size (see illustration). Often the two numbers on the tubes are different. Always provide both numbers. For example: 2530/2530 (both numbers the same), 5210/3220 (different numbers)
3. The top or bottom sash;
4. The weight of the sash.
5. The quantity of dual balance systems. Do **NOT** specify as *pairs* or *sets*. If one system is needed, specify: quantity of 1. If four systems are needed, specify a quantity of 4.

NOTE: Contact your Marvin representative for pricing.



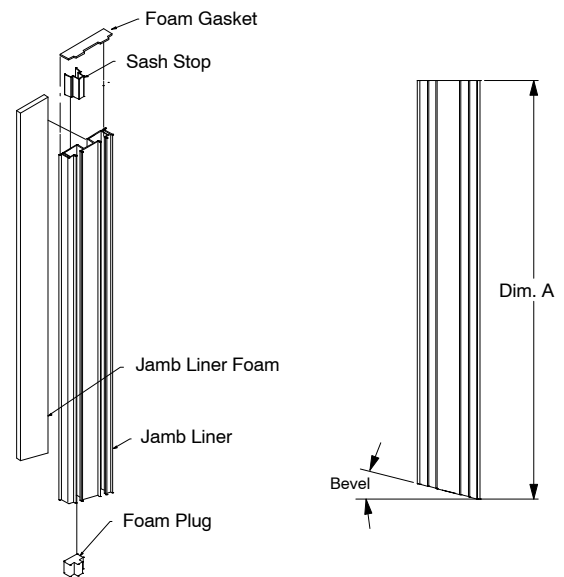
**DUAL BALANCE
SYSTEM**

ORDERING REPLACEMENT JAMB LINERS

Replacement flange or clip mount jamb liners are cut to length to fit magnum units and includes foam plugs (chimney block), foam backing, sash stops and foam gaskets.

To order specify:

1. type of unit;
2. length (see dimension A, to long side of bevel) or if lineal is required specify part number;
3. flange or clip mount;
4. color;
5. sill bevel if other than standard 14°
6. left, right or pair (viewed from exterior).



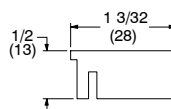
MAGNUM DOUBLE HUNG FLANGE MOUNT

ILLUSTRATION <i>NOT TO SCALE</i>	DESCRIPTION	LENGTH	PART NUMBER
	Jamb Liner V1374 <i>(Replaced V398)</i>	WH 192" (4877) BG 192" (4877)	16215016
			16216996

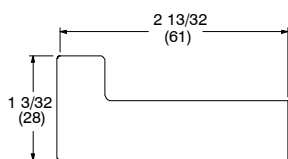
CURRENT REPLACEMENT WOOD PARTS FOR WOOD MAGNUM UNITS

Head Jamb Parting Stop	W7082
Tilt Pac Parting Stop	W7170
Jamb Cover, Historic	W7172
Half Screen Nosing (WMSH)	W7178
Sash Opening Filler (WMSH)	W7188
Stationary Sash Filler (WMSH)	W7186

Picture Units	
Head Jamb Filler for 2 1/2" Picture Unit	W6260
Jamb Filler for 2 1/2" Picture Unit	W6262
Quarter Round Stop	W7003



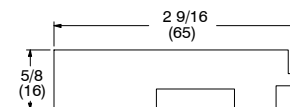
W7170 – Tilt Pac Parting Stop



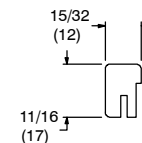
W7188 – Sash Opening Filler (WMSH)



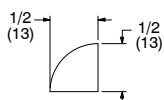
W7186 – Stationary Sash Filler (WMSH)



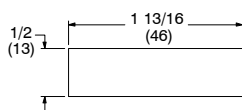
W7172 – Jamb Cover, Historic Unit



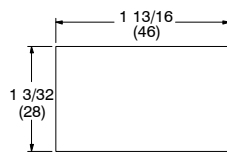
W7082 – Head Jamb Parting Stop



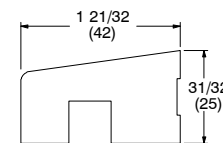
W7003 – Quarter Round Stop



W6260 – Head Jamb Filler for 2 1/2" Picture Unit



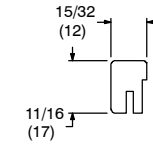
W6262 – Jamb Filler for 2 1/2" Picture Unit



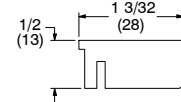
W7178 – Half Screen Nosing (WMSH)

CURRENT REPLACEMENT WOOD PARTS FOR CLAD MAGNUM DOUBLE HUNG

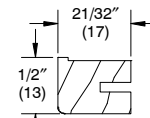
Head Jamb Parting Stop	W7082
Tilt Pac Parting Stop	W7170
Stationary Sash Filler (CMSH)	W7199
Interior Sash Stop – Pic./Transom	W3111
Interior Sash Stop – Transom	W2021
Picture Units	
Quarter Round Stop	W7003



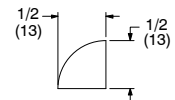
W7082 – Head Jamb Parting Stop



W7170 – Tilt Pac Parting Stop



W3111 – Interior Sash Stop



W7003 – Quarter Round Stop

TO ORDER REPLACEMENT WOOD PARTS

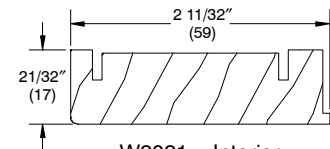
When ordering replacement wood parts specify:

1. type of unit;
2. profile number;
3. rough opening or lineal length;
4. finish.

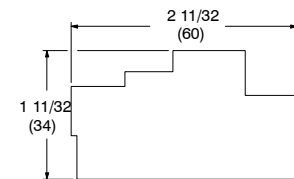
CURRENT REPLACEMENT ALUMINUM PARTS FOR CLAD MAGNUM DOUBLE HUNG UNITS

Please reference the Aluminum Chapter (located online only) for select and standard color part numbers.

Stationary Sash Filler Cap	A510
Screen Nosing	A432



W2021 – Interior Sash Stop – Transom Units



W7199 – Stationary Sash Filler (CMSH)



A510 – Stationary Sash Filler Cap



A432 – Screen Nosing

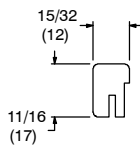
TO ORDER REPLACEMENT ALUMINUM PARTS

When ordering replacement aluminum parts specify:

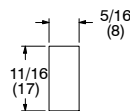
1. type of unit;
2. profile number;
3. color;
4. rough opening or lineal length.

**CURRENT REPLACEMENT WOOD PARTS FOR
WOOD MAGNUM SIMULATED TRIPLE HUNG**

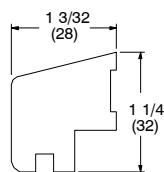
Head Jamb Parting Stop	W7082
Upper Jamb Parting Stop	W6083
Jamb Filler	W7194
Screen Bullnose	W7013
Half Screen Nosing	W7196



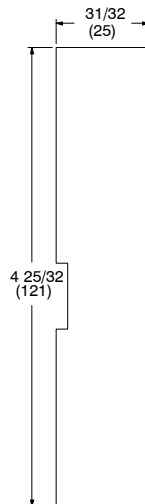
W7082 – Head Jamb Parting Stop



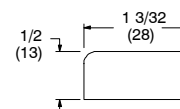
W6083 – Upper Jamb Parting Stop



W7196 –Half Screen Bullnose



W7194 – Jamb Filler



W7013 – Screen Bullnose

TO ORDER REPLACEMENT WOOD PARTS

When ordering replacement wood parts specify:

1. type of unit;
2. profile number;
3. rough opening or lineal length;
4. finish.

ORDERING REPLACEMENT SASH FOR MAGNUM DOUBLE HUNG UNITS

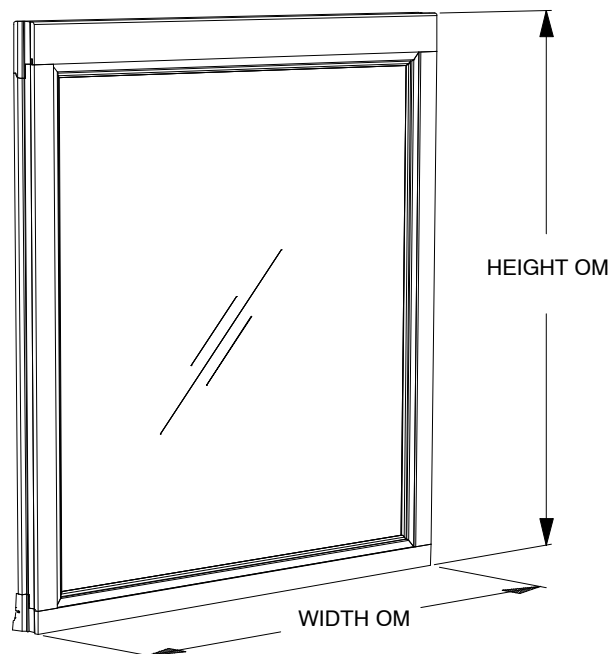
When ordering replacement sash specify:

1. type of unit
2. which sash is being replaced – top, bottom, center or set;
3. size;
 - a. top or bottom (call number or OM of sash)
 - b. set (call number or sash opening, indicate if unequal glass height)
4. glazing;
5. finish;
6. sill bevel if other than standard 14° (wood Tilt Pac).

ORDERING REPLACEMENT PICTURE SASH FOR MAGNUM DOUBLE HUNG UNITS

To order replacement picture sash specify:

1. type of unit
2. size (OM of sash);
3. sash thickness, 1 3/4", 2" or 2 1/2";
4. glazing;
5. finish;
6. sill bevel if other than standard 14° (wood only).

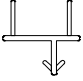



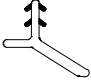
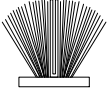



Exterior View
(top sash shown)

ORDERING REPLACEMENT WEATHER STRIP FOR MAGNUM DOUBLE HUNG UNITS

When ordering replacement weather strip specify:

1. quantity;
2. color;
3. part number;
4. description.

ILLUSTRATION <i>NOT TO SCALE</i>	DESCRIPTION	LENGTH	PART NUMBER
	Dual Seal Weather strip, Check Rail V116 Color: White	84" (2134)	15828400
	Hinged Leaf Weather strip, Parting Stop V245 Color: White	84" (2134)	15818400
	Bulb Weather strip, Bottom Rail V192 Color: Beige	84" (2134)	15900058
	Bulb Weather strip, Center Sash Stile V114 Magnum Triple Hung only Color: Beige	Specify length	11107532
	Interlock Weather strip, Check Rail V117 Magnum Triple Hung only Color: Beige	48" (1219) 68" (1727)	15813995 15813996
	Pile Weather strip, Check Rail M650 5/8" x 1 1/2" x 5/16" Magnum Triple Hung only Color: Beige		15600509
	Connecting Barb V803 NOTE: Color may vary depending on current stock.	Specify Length	15812999

ORDERING REPLACEMENT SCREENS FOR WOOD MAGNUM DOUBLE HUNG UNITS

There are no standard size screens for wood magnum units. Screens are standard with aluminum surround and charcoal colored fiberglass 18 x 16 screen mesh. Aluminum mesh is available as an option in black, charcoal, bright aluminum or bright bronze. Determine the outside measurement of the existing screen. Surrounds are available in bronze, white, brown and pebble gray.

When ordering replacement screen specify:

1. product and screen type;
2. size; – If there is no existing screen from which to obtain the OM of the screen, determine the size of the screen by using the conversion charts below. The daylight opening is the measurement of the visible glass.
3. color;
4. mesh type (if other than standard).

FULL SCREEN FOR WOOD MAGNUM DOUBLE HUNG

Conversion	Width	Height
Daylight opening to OM of aluminum full screen	+ 7"	x 2 + 8 3/4"

HALF SCREEN FOR WOOD MAGNUM SINGLE HUNG

Conversion	Width	Height
Daylight opening of bottom sash to OM of aluminum 1/2 screen	+ 7"	+ 5 1/4"

FULL SCREEN FOR HISTORICAL WOOD MAGNUM DOUBLE HUNG

Conversion	Width	Height
Daylight opening to OM of aluminum full screen	+ 6 9/16"	x 2 + 8 3/4"

HALF SCREEN FOR HISTORICAL WOOD MAGNUM SINGLE HUNG

Conversion	Width	Height
Daylight opening of bottom sash to OM of aluminum 1/2 screen	+ 6 9/16"	+ 5"

FULL AND 1/3 SCREEN FOR WOOD MAGNUM TRIPLE SASH SINGLE HUNG

Conversion	Width	Height
Daylight opening to OM of aluminum full screen	+ 7"	x 3 + 11 1/16"
Daylight opening of bottom sash to OM of aluminum 1/3 screen	+ 4 1/4"	+ 4 11/16"

FULL SCREEN FOR WOOD MAGNUM TRIPLE HUNG

Conversion	Width	Height
Daylight opening to OM of aluminum full screen	+ 7"	x 3 + 11 1/16"

FULL SCREEN FOR HISTORICAL WOOD MAGNUM TRIPLE HUNG

Conversion	Width	Height
Daylight opening to OM of aluminum full screen	+ 6 9/16"	x 3 + 10 15/16"

ORDERING REPLACEMENT SCREENS CLAD MAGNUM DOUBLE HUNG UNITS

Screens are standard with aluminum surround and charcoal colored fiberglass 18 x 16 screen mesh. Aluminum mesh is available as an option in black, charcoal, bright aluminum or bright bronze. Determine the outside measurement of the existing screen. Surrounds are available in bronze, white, brown and pebble gray.

When ordering replacement screen specify:

1. product and screen type;
2. size; – If there is no existing screen from which to obtain the OM of the screen, determine the size of the screen by using the conversion charts below. The daylight opening is the measurement of the visible glass.
3. color;
4. mesh type (if other than standard).

**Full Screen Sizes for
Clad Magnum Double Hung
manufactured 1989 – Present**

Daylight Opening to OM of Full Screen

Daylight Width + 7 1/16" = OM Width of Screen

Daylight Height x 2 + 9 1/16" = OM Height of Screen

NOTE: Screens feature plunger type mounting system.

WIDTH		HEIGHT	
SIZE	OM WIDTH	SIZE	OM HEIGHT
CN 38	38 1/4"	CN 70	71 1/16"
CN 42	42 1/4"	CN 78	79 1/16"
CN 46	46 1/4"	CN 86	87 1/16"
CN 48	48 1/4"	CN 94	95 1/16"
CN 50	50 1/4"	CN 102	103 1/16"
CN 54	54 1/4"	CN 110	111 1/16"

**Half Screen Sizes for
Clad Magnum Single Hung
manufactured 1989 – Present**

Daylight Opening to OM of Half Screen

Daylight Width + 7 1/16" = OM Width of Screen

Daylight Height + 5 7/16" = OM Height of Screen

NOTE: Screens feature leaf spring and plunger type mounting system.

NOTE: There are no standard half screen call numbers established. Order by OM of screen using conversions above.

When ordering replacement parts specify:

1. part number;
2. quantity.

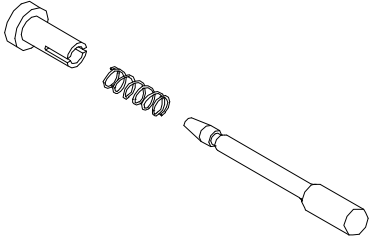



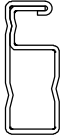

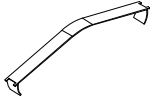
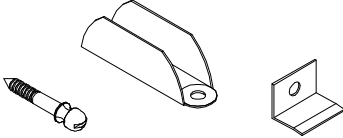
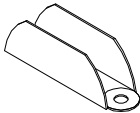
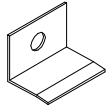
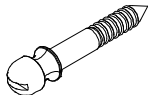

ILLUSTRATION <i>NOT TO SCALE</i>	DESCRIPTION	OPER./COLO R	PART NO.
	Plunger and Spring Assembly M0102 <i>Includes:</i> 1 - Plunger bolt (metal) 1 - Plunger bolt cap (black) 1 - Plunger bolt spring Clad Magnum Double and Single Hung	Black	03070731
	Screen Mounting Receptacle M111 Clad Magnum Double and Single Hung only	White	05070411
	Spline, Screen V129 Specify lineal feet needed	Black	NA
	Corner Key Screen M0121		15225301
	Screen Surround, Aluminum Profile A133 Available in 168" (4267) length	SW BZ PB BN EG	18801100 15231799 15231899 15231699 15231999
	Screen Crossbar, Aluminum Profile A131 Specify OM width of screen	SW BZ PB BN EG	18801080 15233499 15233399 15233299 15233599
	Leaf Spring M0104		11868835

ILLUSTRATION NOT TO SCALE	DESCRIPTION	COLOR	PART NO.
	Screen Hanger Package <i>Includes:</i> 2 – Hangers 11860031 2 – Clips 02570321 2 – Ball drive screws 11011005 4 – #6 x 5/8" Phillips flathead wood screws Magnum wood units only		16010006
	Hanger <i>Includes:</i> 1 – Hanger 1 – #6 x 5/8" Phillips flathead wood screw Magnum Wood units only		11860031
	Clip <i>Includes:</i> 1 – Clip 1 – #6 x 5/8" Phillips flathead wood screw Magnum Wood units only		02570321
	Ball Drive Screw Magnum Wood units only		11011005
	Loop Latch (Bail Loop) Magnum Wood units only		11011006

ORDERING REPLACEMENT ENERGY PANELS FOR MAGNUM UNITS

If you are replacing an existing energy panel, determine the outside measurement of the existing energy panel. If there is no existing energy panel from which to obtain the OM of the panel, determine the size of the energy panel by using the conversion below. The daylight opening is the measurement of the visible glass. Energy panels are available in bronze or stone white aluminum surround (exterior panel).

When ordering energy panels specify:

1. type of unit;
2. size;
3. color of surround;
4. glass type.

**Magnum Double Hung, Single Hung
and Triple Hung**

Units manufactured 1984 – Present

Daylight Opening to OM of EP

Daylight Width + 1 1/8" = OM Width of EP

Daylight Height + 1 1/8" = OM Height of EP

NOTE: OM should not include lip.

MAGNUM DOUBLE HUNG, SINGLE HUNG AND TRIPLE HUNG ENERGY PANELS PARTS

Exterior energy panels are attached with metal turn buttons these can be found in misc mouldings chapter.

When ordering energy panel parts specify:

1. quantity;
2. description;
3. part number.

INTERIOR ENERGY PANELS AND PARTS**ORDERING REPLACEMENT ENERGY PANELS FOR MAGNUM HISTORIC UNITS**

If you are replacing an existing energy panel, determine the outside measurement of the existing energy panel. If there is no existing energy panel from which to obtain the OM of the panel, determine the size of the energy panel by using the conversion below. The daylight opening is the measurement of the visible glass. Energy panels are available in a white aluminum surround (interior panel).

When ordering energy panels specify:

1. type of unit;
2. size;
3. glass type.

Magnum Historic Double Hung, Single Hung and Triple Hung

Units manufactured 1986 – Present

Daylight Opening to OM of IEP

Daylight Width + 1 11/16" = OM Width of IEP

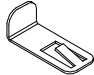


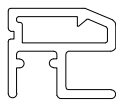
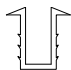
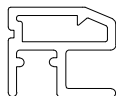
Daylight Height + 1 3/8" = OM Height of IEP

MAGNUM HISTORIC DOUBLE HUNG, SINGLE HUNG AND TRIPLE HUNG ENERGY PANEL PARTS

Interior energy panels are clip mounted.

When ordering energy panel parts specify:

1. quantity;
2. description
3. part number.

ILLUSTRATION <i>NOT TO SCALE</i>	DESCRIPTION	OPER./COLO R	PART NO.
	Push/Pull Clip, Stainless Steel M755		11100701
	Corner Key, Interior Energy Panel M950		15470016
	Weather strip, Interior Energy Panel M0412 Specify Length	WH	15610097
	Interior Energy Panel Surround, Aluminum Profile A149 For 1/8" glass and 3/16" glass Available in 150" (3810) length Note: Must use V235 for 1/8" glass	WH	18600899
	Spline, Historical Glazing V235 For 1/8" glass only Specify Length	WH	15221211
	Interior Energy Panel Surround, Aluminum Profile A163 For 3/16" featherweight laminated glass Available in 150" (3810) length	WH	18600898

ORDERING REPLACEMENT COMBINATIONS AND/OR INSERTS

Combination units are composed of two glass panels and a screen insert. One of the storm panels slides up for self storage when the screen is in use.

When ordering replacement combinations and/or inserts determine the outside measurement of the existing items or use the following conversions if none exists (based on daylight openings to determine combination size and component sizes). Aluminum surround on combination inserts are available in bronze, white, brown and pebble gray. Charcoal colored fiberglass mesh screen is standard. Aluminum mesh screen is available as an option.

When ordering replacement combinations specify:

1. size; – If there is no existing combination from which to obtain the OM of the combination, determine the size of the combination by using the conversions below. The daylight opening is the measurement of the visible glass.
2. finish and insert color;
3. mesh type (if other than standard);
4. glass type.

Magnum Combination Units**Wood Magnum Double Hung****Daylight Opening to OM of Combination**

Daylight Width + 7 1/16" = OM Width of Combination

Daylight Height x 2 + 9 3/32" = OM Height of Combination

Wood Magnum Historic Double Hung**Daylight Opening to OM of Combination**

Daylight Width + 6 5/8" = OM Width of Combination

Daylight Height x 2 + 8 23/32" = OM Height of Combination

Combination Insert**OM of Combination to OM of Stationary Insert**

OM Width of Combination - 5 1/8" = OM Width of Stationary Insert

OM Height of Combination - 9 3/32" ÷ 2 = OM Height of Stationary Insert

OM of Combination to OM of Operating Insert

OM Width of Combination - 4 1/2" = OM Width of Operating Insert

OM Height of Combination - 3 17/32" ÷ 2 = OM Height of Operating Insert

OM of Combination to OM of Screen Insert

OM Width of Combination - 5 1/8" = OM Width of Screen Insert

OM Height of Combination - 5 7/32" ÷ 2 = OM Height of Screen Insert

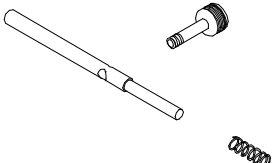


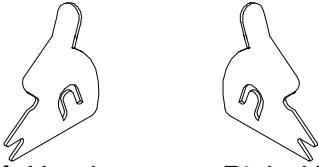
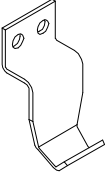
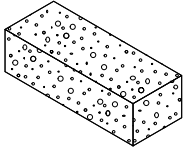
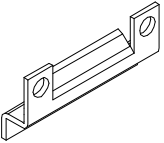
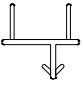
NOTE: Insert height conversions apply only to units with equal sash.

OBSOLETE COMBINATION PARTS

Combination units are composed of two glass panels and a screen insert. One of the storm panels slides up for self storage when the screen is in use. Combinations are attached with turn buttons which can be found in the Miscellaneous Mouldings chapter of the parts manual.

When ordering replacement parts specify:

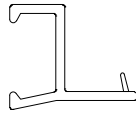
1. part number;
2. quantity.

ILLUSTRATION NOT TO SCALE	DESCRIPTION	OPER./COLO R	PART NO.
	Knob, Bolt and Spring Assembly <i>Includes:</i> 2 - Aluminum knobs 2 - Combination bolt and spring assemblies		11900521
	Knob, Aluminum For bolt and spring assembly <i>Includes:</i> 2 - Aluminum knobs		11101701
	Knob, Stainless Steel For bolt and spring assembly		03050113
 <p>Left Hand Right Hand</p>	Turn Latch M062 Wood Magnum Double Hung	LH RH	Mill Finish 11860411 11860311
	Hook, Long <i>Includes:</i> 1 - Hook 2 - Rivets (01060758)	Mill Finish	11040100
	Pad, Hook M601 3/8" x 1/2" x 1 5/16"	WH	10500201
	Strike, Stationary Panel M600 <i>Includes:</i> 1 - Strike 2 - Rivets (01060758)	Mill Finish	11040365
	Dual Seal Weather strip, Center Rail V116 Color: White	84" (2134)	15828400

OBSOLETE COMBINATION PARTS

When ordering replacement panel track specify:

1. profile;
2. call number or OM of combination;
3. color;
V057 Black 15222200
V057 White 15222100
4. left, right, top, bottom or complete set.



V057

Operator Panel Track
Vertical and horizontal panels