

CLAD ULTIMATE INSERT DOUBLE HUNG – NEXT GENERATION 2.0 CLAD ULTIMATE INSERT SINGLE HUNG – NEXT GENERATION 2.0

Table of Contents

	PAGE
History – Clad Insert Ultimate Double Hung and Single Hung – NG 2.0	2
Ultimate Double Hung and Single Hung – Next Generation 2.0	
Part Identification – Clad Ultimate Insert Double Hung – NG 2.0 Operator	3
Part Identification – Clad Ultimate Insert Double Hung – NG 2.0 with Lock Status Sensor ...	4
Part Identification – Clad Ultimate Insert Double Hung – NG 2.0 Picture	5
Part Identification – Clad Ultimate Insert Double Hung – NG 2.0 Transom	6
Part Identification – Clad Ultimate Insert Single Hung – NG 2.0 Operator	7
Part Identification – Clad Ultimate Insert Single Hung – NG 2.0 with Lock Status Sensor	8
Part Identification – Clad Ultimate Insert Single Hung – NG 2.0 with Lift Lock Option	9
Parts	
Hardware	10
Parts – Lock Status Sensor Option	16
Weather Strip	17
Vinyl Jamb Liner	18
Balances – Block & Tackle	19
Balances – Spiral	21
Wood Parts	29
Vinyl Parts	30
Aluminum Parts	31
Screens – Full	32
Screens – Half	33
Screens, Optional Magnum	34
Screen Parts	35
Parts – Retractable Screen	36
Retractable Screen Cartridge	38

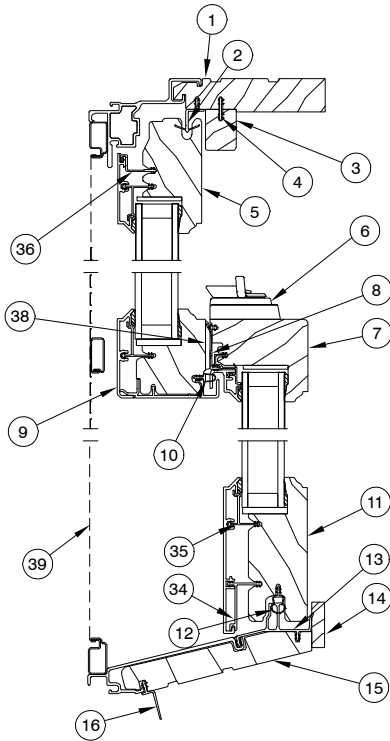
ATTENTION:

- Specification and technical data are subject to change without notice.
- Numbers listed in parentheses () are metric equivalents in millimeters rounded to the nearest whole number.

HISTORY

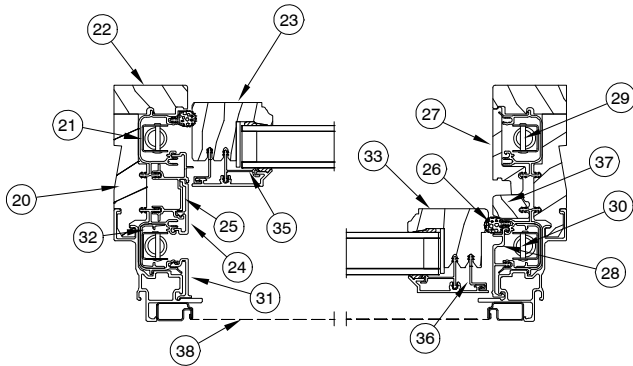
PRODUCED	UNIT TYPE	FEATURES OR CHANGES	STATUS
August 2018	CINDH-NG 2.0, CINSH-NG 2.0, CINDHT-NG 2.0, CINDHP-NG 2.0	8/27/2018: Introduced the Clad Ultimate Insert Double Hung- Next Generation 2.0 (CINDH-NG 2.0) and the Single Hung – Next Generation 2.0 (CINSH-NG 2.0). The CINDH-NG 2.0 and CINSH-NG 2.0 will provide customers with a narrow jamb insert window that is designed to be installed into an existing window frame in replacement construction.	Present

**CINDH – NG 2.0
 OPERATOR**

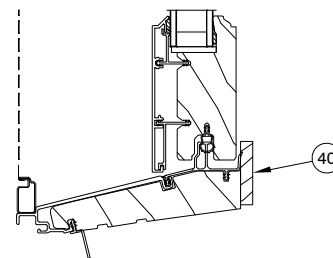


**Head Jamb and 14 Degree Sill
 Vertical Detail**

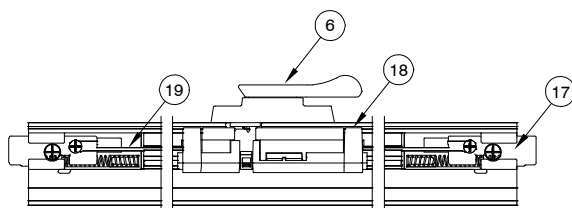
1. Head Jamb
2. Head Jamb Weather Strip, V2783
3. Parting Stop, W11578
4. Connecting Barb, V803
5. Top Rail
6. Sash Lock
7. Bottom Check Rail
8. Bottom Check Rail Hardware Cover, V2478
9. Top Check Rail
10. Top Check Rail Weather Strip, V2803
11. Bottom Rail
12. Weather Strip, V2779
13. Sill Thermal Break, V2191
14. Sill Liner, 14 Degree, W12515
15. Sill
16. Sill Fin, V1007
17. Bottom Sash Latch Assembly
18. Cord Guide Assembly
19. Operation Cord
20. Jamb
21. Vinyl Jamb Liner, V2655
22. Jamb Liner, W12679
23. Stile Bottom Sash
24. Clad Mid Exterior Cover, A2460
25. Mid Cover Base, V2432
26. Frame Weather Strip, V2682
27. Interior Jamb Cover, Removable, W13093
28. Exterior Hardware Cover, V2338
29. Bottom Sash Balance Tube
30. Top Sash Balance Tube
31. Exterior Clad Cover, A2615
32. Exterior Sash Stop, V2257
33. Stile Top Sash
34. Bottom Rail Filler V2301
35. Glazing Bead V2300
36. Sash Filler V2430
37. Interior Jamb Cover, Fixed, W13094
38. Strike Assembly
39. Full Screen Assembly
40. Sill Liner, 8 Degree, W11576
41. Sill Liner, 0 Degree Flat Sill, W12595



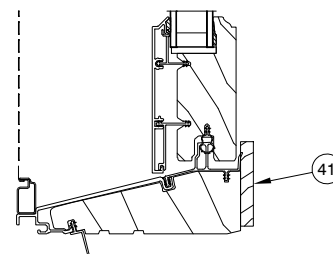
**Jamb
 Horizontal Detail**



8 Degree Sill Detail

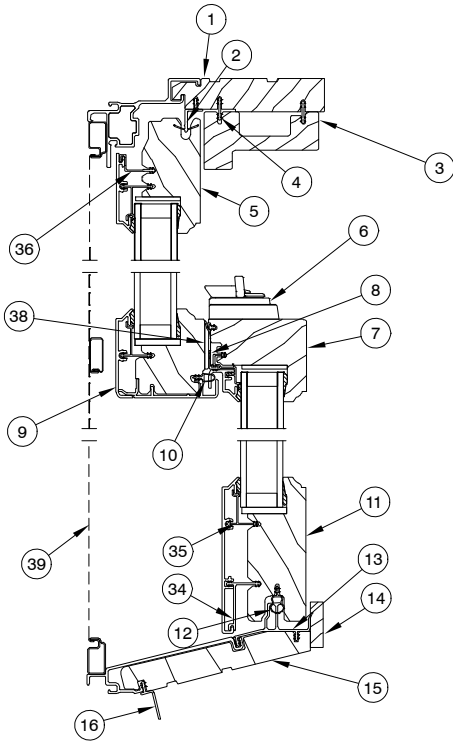


Check Rail



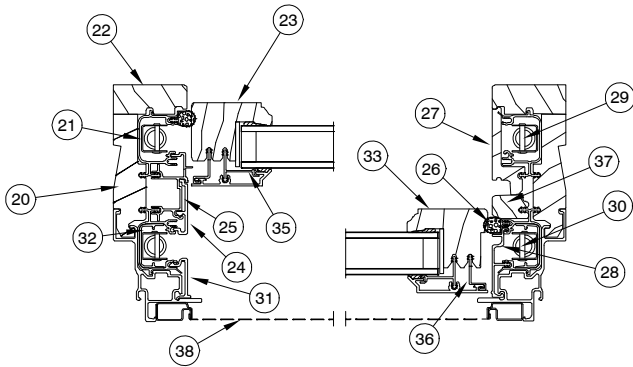
0 Degree Flat Sill Detail

**CINDH – NG 2.0
 OPERATOR with
 Lock Status Sensor**

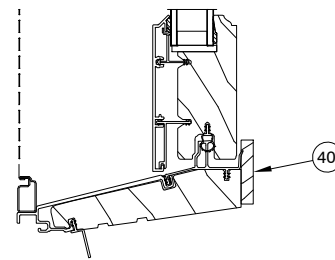


**Head Jamb and 14 Degree Sill
 Vertical Detail**

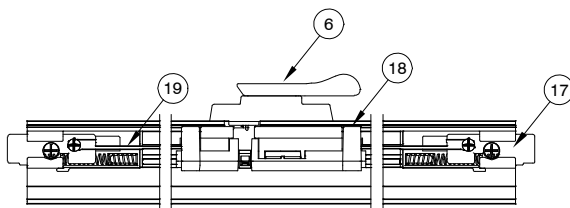
1. Head Jamb
2. Head Jamb Weather Strip, V2783
3. Transmitter Cover, W12982
4. Connecting Barb, V803
5. Top Rail
6. Sash Lock
7. Bottom Check Rail
8. Bottom Check Rail Hardware Cover, V2478
9. Top Check Rail
10. Top Check Rail Weather Strip, V2803
11. Bottom Rail
12. Weather Strip, V2779
13. Sill Thermal Break, V2191
14. Sill Liner, 14 Degree, W12515
15. Sill
16. Sill Fin, V1007
17. Bottom Sash Latch Assembly
18. Cord Guide Assembly
19. Operation Cord
20. Jamb
21. Vinyl Jamb Liner, V2655
22. Jamb Liner, W12679
23. Stile Bottom Sash
24. Clad Mid Exterior Cover, A2460
25. Mid Cover Base, V2432
26. Frame Weather Strip, V2682
27. Interior Jamb Cover, Removable, W13093
28. Exterior Hardware Cover, V2338
29. Bottom Sash Balance Tube
30. Top Sash Balance Tube
31. Exterior Clad Cover, A2615
32. Exterior Sash Stop, V2257
33. Stile Top Sash
34. Bottom Rail Filler V2301
35. Glazing Bead V2300
36. Sash Filler V2430
37. Interior Jamb Cover, Fixed, W13094
38. Strike Assembly
39. Full Screen Assembly
40. Sill Liner, 8 Degree, W11576
41. Sill Liner, 0 Degree Flat Sill, W12595



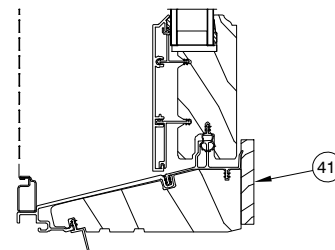
**Jamb
 Horizontal Detail**



8 Degree Sill Detail

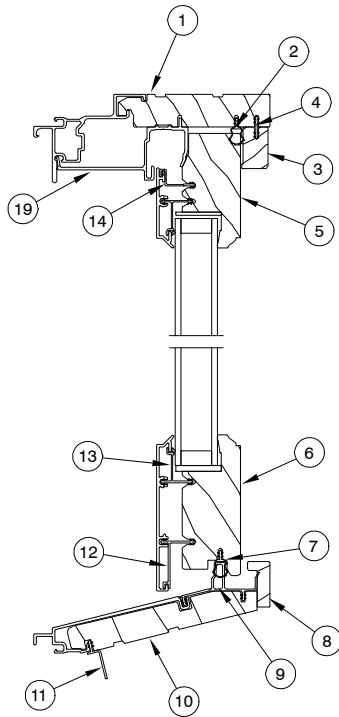


Check Rail



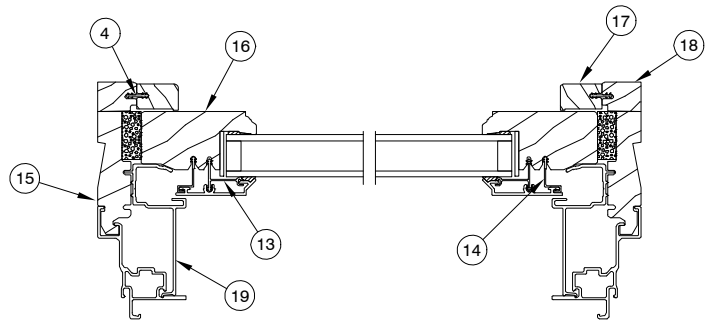
0 Degree Flat Sill Detail

**CINDH - NG 2.0
 PICTURE**

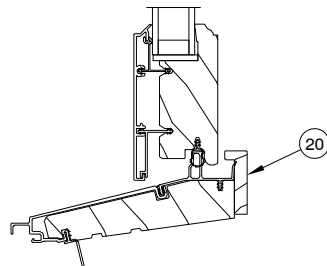


1. Head Jamb
2. Head Jamb Weather Strip, V2779
3. Picture Stop, W12407
4. Connecting Barb, V803
5. Top Rail
6. Bottom Rail
7. Weather Strip, V2779
8. Sill Liner, 14 Degree, W12566
9. Sill Thermal Break, V2191
10. Sill
11. Sill Fin, V1007
12. Bottom Rail Filler V2376
13. Glazing Bead V2300
14. Sash Filler V2430
15. Jamb
16. Stile
17. Picture Stop, W12407
18. Picture Jamb Liner, W12569
19. Picture Exterior Cover, A3077
20. Sill Liner, 8 Degree, W11825
21. Sill Liner, 0 Degree Flat Sill, W12597

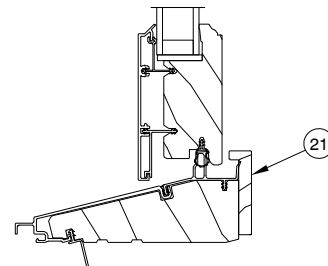
**Head Jamb and 14 Degree Sill
 Vertical Detail**



**Jamb
 Horizontal Detail**

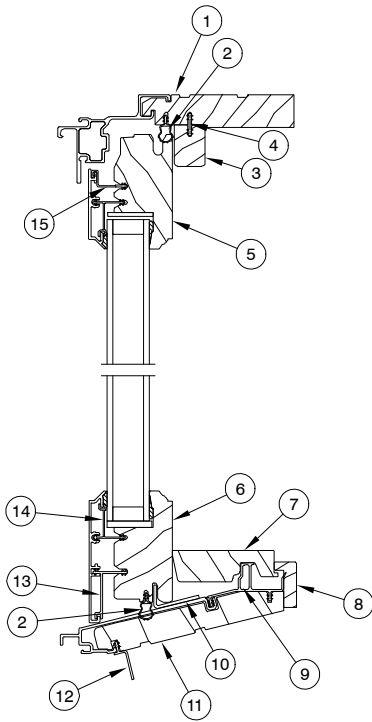


8 Degree Sill Detail



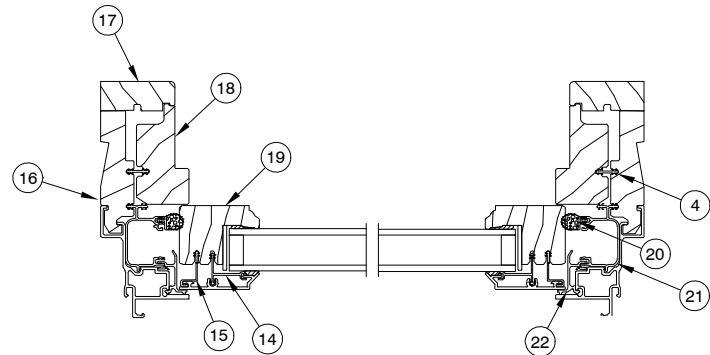
0 Degree Flat Sill Detail

**CINDH - NG 2.0
 TRANSOM**

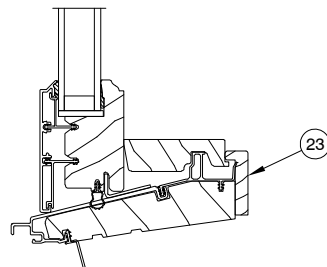


**Head Jamb and 14 Degree Sill
 Vertical Detail**

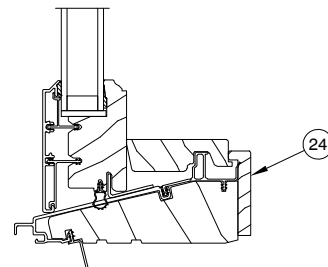
1. Head Jamb
2. Frame Weather Strip, V2779
3. Parting Stop, W11578
4. Connecting Barb, V803
5. Top Rail
6. Bottom Rail
7. Transom Sill Filler, W12061
8. Sill Liner, 14 Degree, W12566
9. Sill Thermal Break, V2191
10. Transom Sill Bracket
11. Sill
12. Sill Fin, V1007
13. Bottom Rail Filler V2376
14. Glazing Bead V2300
15. Sash Filler V2430
16. Jamb
17. Jamb Liner, W12511
18. Interior Transom Cover, W11906
19. Stile
20. Jamb Weather Strip, V2682
21. Vinyl Jamb Liner, V2655
22. Spacer, V2573
23. Sill Liner, 8 Degree, W11825
24. Sill Liner, 0 Degree Flat Sill, W12597



**Jamb
 Horizontal Detail**

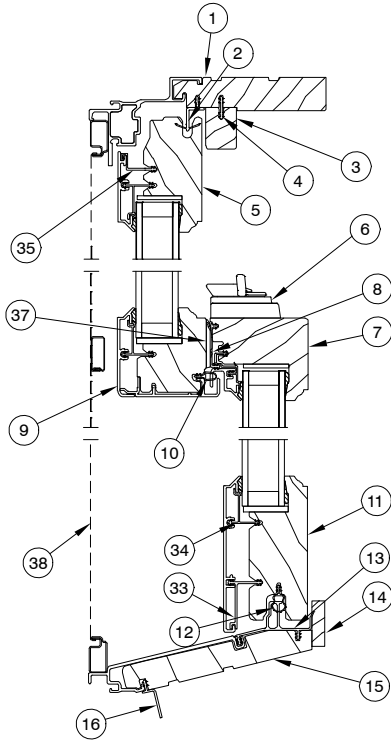


8 Degree Sill Detail



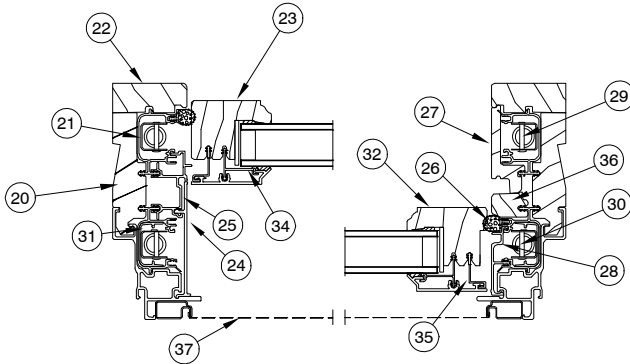
0 Degree Flat Sill Detail

**CINSH - NG 2.0
 OPERATOR**

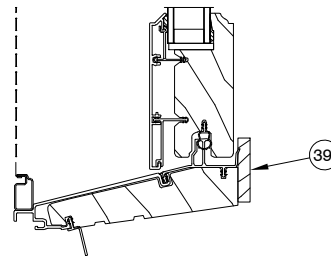


**Head Jamb and 14 Degree Sill
 Vertical Detail**

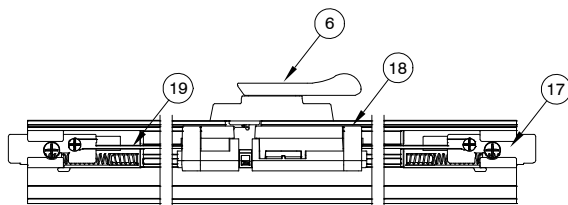
1. Head Jamb
2. Head Jamb Weather Strip, V2783
3. Parting Stop, W11578
4. Connecting Barb, V803
5. Top Rail
6. Sash Lock
7. Bottom Check Rail
8. Bottom Check Rail Hardware Cover, V2478
9. Top Check Rail
10. Top Check Rail Weather Strip, V2803
11. Bottom Rail
12. Weather Strip, V2779
13. Sill Thermal Break, V2191
14. Sill Liner, 14 Degree, W12515
15. Sill
16. Sill Fin, V1007
17. Bottom Sash Latch Assembly
18. Cord Guide Assembly
19. Operation Cord
20. Jamb
21. Vinyl Jamb Liner, V2655
22. Jamb Liner, W12679
23. Stile Bottom Sash
24. Single Hung Exterior Cover, A2700
25. Mid Cover Base, V2432
26. Frame Weather Strip, V2682
27. Interior Jamb Cover, Removable, W13093
28. Exterior Hardware Cover, V2338
29. Bottom Sash Balance Tube
30. Top Sash Balance Tube
31. Exterior Sash Stop, V2257
32. Stile Top Sash
33. Bottom Rail Filler V2301
34. Glazing Bead V2300
35. Sash Filler V2430
36. Interior Jamb Cover, Fixed, W13094
37. Strike Assembly
38. Full Screen Assembly
39. Sill Liner, 8 Degree, W11576
40. Sill Liner, 0 Degree Flat Sill, W12595



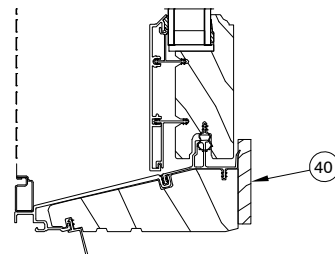
**Jamb
 Horizontal Detail**



8 Degree Sill Detail

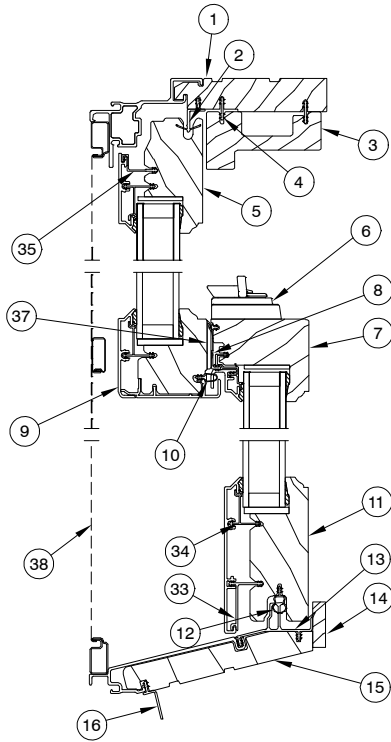


Check Rail



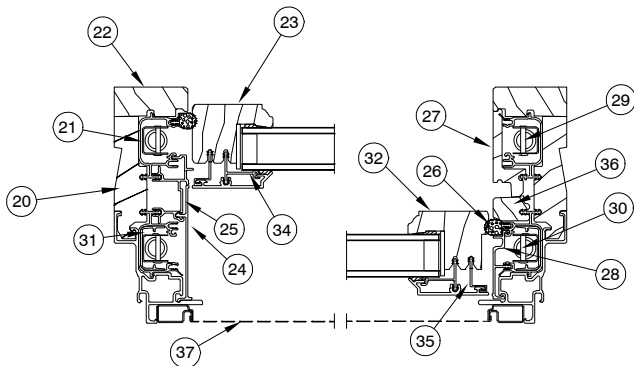
0 Degree Flat Sill Detail

**CINSH – NG 2.0
 OPERATOR with
 Lock Status Sensor**

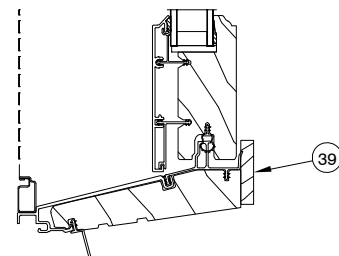


**Head Jamb and 14 Degree Sill
 Vertical Detail**

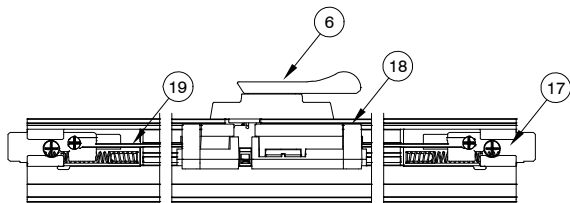
1. Head Jamb
2. Head Jamb Weather Strip, V2783
3. Transmitter Cover, W12982
4. Connecting Barb, V803
5. Top Rail
6. Sash Lock
7. Bottom Check Rail
8. Bottom Check Rail Hardware Cover, V2478
9. Top Check Rail
10. Top Check Rail Weather Strip, V2803
11. Bottom Rail
12. Weather Strip, V2779
13. Sill Thermal Break, V2191
14. Sill Liner, 14 Degree, W12515
15. Sill
16. Sill Fin, V1007
17. Bottom Sash Latch Assembly
18. Cord Guide Assembly
19. Operation Cord
20. Jamb
21. Vinyl Jamb Liner, V2655
22. Jamb Liner, W12679
23. Stile Bottom Sash
24. Single Hung Exterior Cover, A2700
25. Mid Cover Base, V2432
26. Frame Weather Strip, V2682
27. Interior Jamb Cover, Removable, W13093
28. Exterior Hardware Cover, V2338
29. Bottom Sash Balance Tube
30. Top Sash Balance Tube
31. Exterior Sash Stop, V2257
32. Stile Top Sash
33. Bottom Rail Filler V2301
34. Glazing Bead V2300
35. Sash Filler V2430
36. Interior Jamb Cover, Fixed, W13094
37. Strike Assembly
38. Full Screen Assembly
39. Sill Liner, 8 Degree, W11576
40. Sill Liner, 0 Degree Flat Sill, W12595



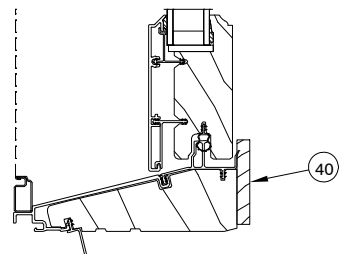
**Jamb
 Horizontal Detail**



8 Degree Sill Detail

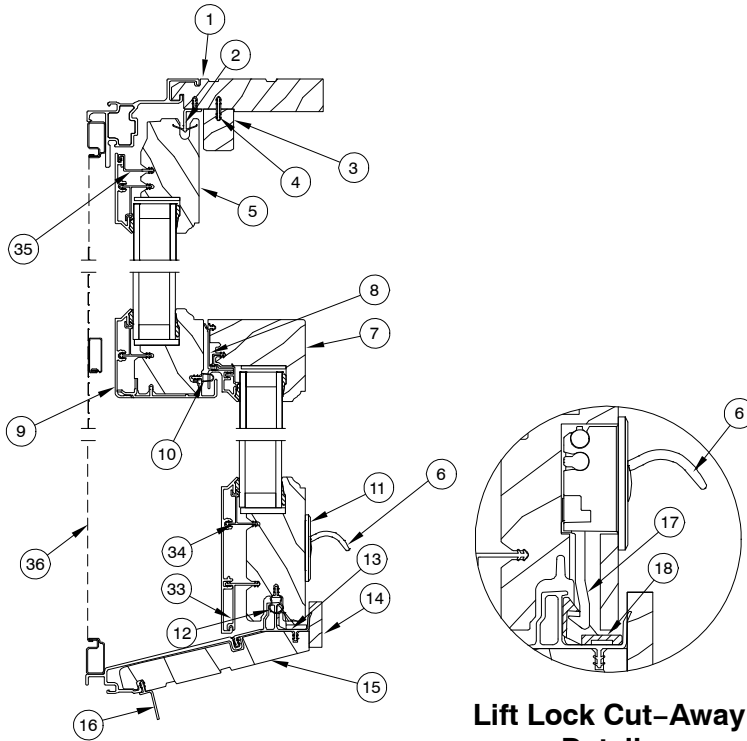


Check Rail



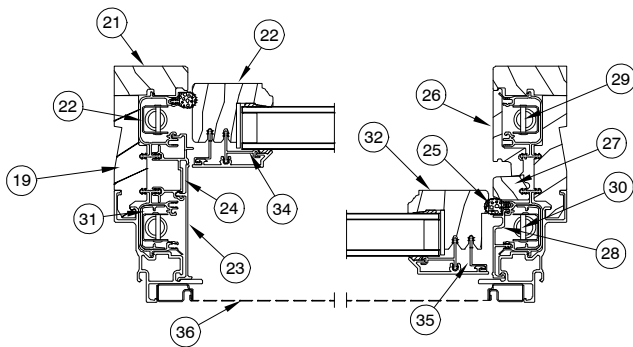
0 Degree Flat Sill Detail

**CINSH – NG 2.0
 OPERATOR with Lift Lock Option**

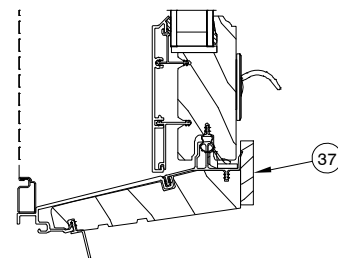


**Head Jamb and 14 Degree Sill
 Vertical Detail**

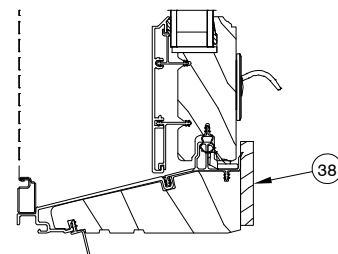
1. Head Jamb
2. Head Jamb Weather Strip, V2783
3. Parting Stop, W11578
4. Connecting Barb, V803
5. Top Rail
6. Lift Lock Handle
7. Bottom Check Rail
8. Bottom Check Rail Hardware Cover, V2478
9. Top Check Rail
10. Top Check Rail Weather Strip, V2803
11. Bottom Rail
12. Weather Strip, V2779
13. Sill Thermal Break, V2191
14. Sill Liner, 14 Degree, W12515
15. Sill
16. Sill Nailing Fin, V1007
17. Lift Lock Latch
18. Lift Lock Strike
19. Jamb
20. Vinyl Jamb Liner, V2655
21. Jamb Liner, W12679
22. Stile Bottom Sash
23. Single Hung Exterior Cover, A2700
24. Mid Cover Base, V2432
25. Frame Weather Strip, V2682
26. Interior Jamb Cover, Removable, W13093
27. Interior Jamb Cover, Fixed, W13094
28. Exterior Hardware Cover, V2338
29. Bottom Sash Balance Tube
30. Top Sash Balance Tube
31. Exterior Sash Stop, V2257
32. Stile Top Sash
33. Bottom Rail Filler V2301
34. Glazing Bead V2300
35. Sash Filler V2430
36. Full Screen Assembly
37. Sill Liner, 8 Degree, W11576
38. Sill Liner, 0 Degree Flat Sill, W12595



**Jamb
 Horizontal Detail**



8 Degree Sill Detail

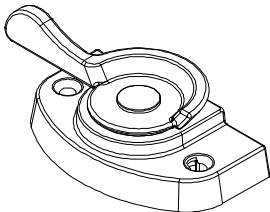
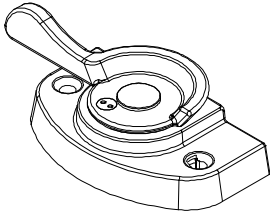
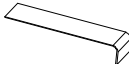

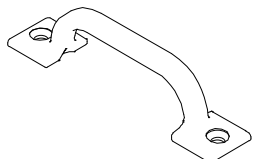


0 Degree Flat Sill Detail

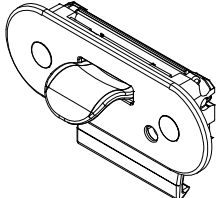

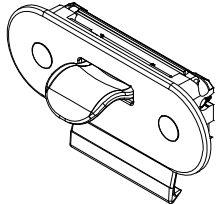
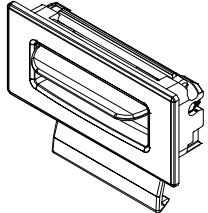
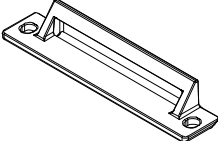
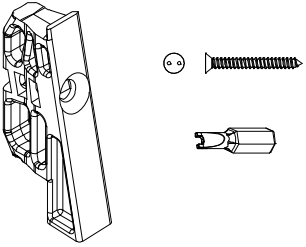
HARDWARE PARTS

When ordering replacement parts, specify:

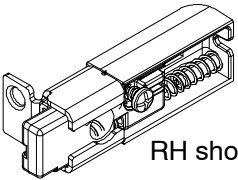
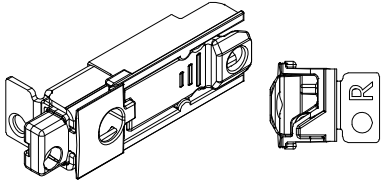
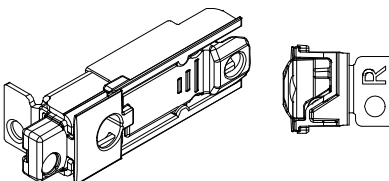
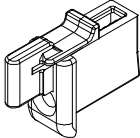
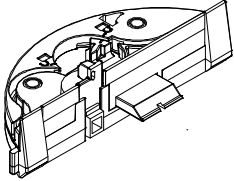
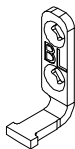

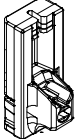
1. Original order number (if available)
2. Unit type
3. Part number
4. Description

ILLUSTRATION NOT TO SCALE	DESCRIPTION	OPER./ COLOR	PART NO.
	<p>Tilt/Non-Tilt Lock Handle Kit – <i>Includes:</i> Lock handle and two color match wood screws</p> <p>Lock Handle (each): BZ (10501035), TP (10501036), WH (10501037), AB (10501038), BS (10501039), ORB (10501040), PC (10501041), SC (10501042), SN (10501043), MBK (10501044)</p> <p>Screws (each): #7 x 1 1/4" Phillips flat head screw BZ (11807118), TP (11807122), WH (11807115), AB (11807126), BS (11807120), ORB (11807132), PC (11807128), SC (11807127), SN (11807133), MBK (11807137)</p>	BZ TP WH AB BS ORB PC SC SN MBK	11851402 11851400 11851401 11851403 11851404 11851405 11851406 11851407 11851408 11851409
	<p>Tilt/Non-Tilt Lock Handle Kit – Custodial <i>Includes:</i> Lock handle, color match screws and tamper Resistant screw kit</p> <p>Lock Handle (each): BZ (10501094), TP (10501095), WH (10501096), MBK (10501097)</p> <p>Screws (each) : #7 x 1 1/4" Phillips flat head screw BZ (11807118), TP (11807122), WH (11807115), MBK (11807137)</p> <p>Tamper Resistant Screw Kit (each) BZ (11800430), TP (11800428), WH (11800429), MBK (11800432)</p>	BZ TP WH MBK	11869277 11869275 11869276 11869278
	<p>Catch Spring</p>		10501214
	<p>Tool Bit – Tampered Resistant Screw (#4 Spanner Bit)</p>		10500543
	<p>Sash Lift Kit <i>Note: Screws are included with part numbers listed on right.</i> <i>Includes:</i> 1 – Sash lift 2 – #8 x 1" Slotted ovalhead sheet metal screws Part number listed below are for screws only. WH (11800887), AB (11800890), BZ (11800888), SC (11800891), TP (11800886), ORB (11800893), BS (11800889), SN (11800894), PC (11800892), MBK (11800895)</p> <p><i>NOTE: Can not be used with retractable screen.</i></p>	TP BZ WH BS AB SC SN ORB PC MBK	10500598 10500557 10500556 10500558 10500597 10500596 10500602 10500601 10500595 10500577

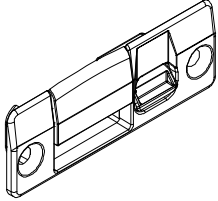




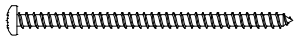
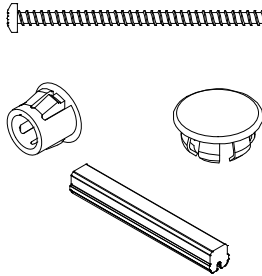
HARDWARE PARTS

ILLUSTRATION NOT TO SCALE	DESCRIPTION	OPER./ COLOR	PART NO.
	<p>Lift Lock Assembly – Custodial (Single Hung only)</p> <p><i>Includes:</i> 2 – #7 x 1" Phillips pan head screws, (11800196) 1 – Custodial kit shown below (matching color)</p> <p><i>Uses (not included):</i> #4 spanner bit (10500543)</p>	<p>BZ TP WH MBK</p>	<p>10501876 10501877 10501878 10501879</p>
	<p>Lift Lock Assembly – Custodial Screw Kit (Single Hung only)</p> <p><i>Includes:</i> 2 – 4-40 flat head machine screws – BZ (11800427), TP (11800425), WH (11800426), MBK (1180431)</p>	<p>BZ TP WH MBK</p>	<p>11869256 11869254 11869255 11869257</p>
	<p>Lift Lock Assembly – Traditional (Single Hung only)</p> <p><i>Includes:</i> 2 – #7 x 1" Phillips pan head screws, (11800196)</p>	<p>BZ TP WH AB BS ORB PC SC SN MBK</p>	<p>10501855 10501856 10501857 10501860 10501861 10501859 10501864 10501863 10501862 10501858</p>
	<p>Lift Lock Assembly – Contemporary (Single Hung only)</p> <p><i>Includes:</i> 2 – #7 x 1" Phillips pan head screws, (11800196)</p>	<p>BZ TP WH AB BS ORB PC SC SN MBK</p>	<p>10501866 10501867 10501868 10501871 10501872 10501870 10501875 10501874 10501873 10501869</p>
	<p>Lift Lock Sill Strike (Single Hung only)</p> <p><i>Includes:</i> 2 – #7 x 9/16" Phillips pan head screws WH (11800194), BK (11800193) BG (11800195)</p>	<p>BG BK WH</p>	<p>10501882 10501881 10501880</p>
	<p>Both Sash Stationary Kit (Single Hung only)</p> <p><i>Includes:</i> 2 – (a) Stop, both sash stationary, BG (10501520), WH (10501522,) BK (10501521) 2 – (b) #6 x 1 1/4" tamper resistant screw (11800700) 1 – #6 spanner bit (02058024) 1 – Instructions (19915860)</p>	<p>BG BK WH</p>	<p>11850200 11850201 11850202</p>

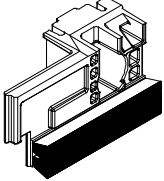
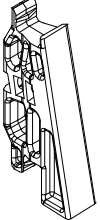
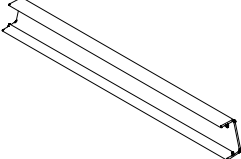
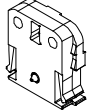
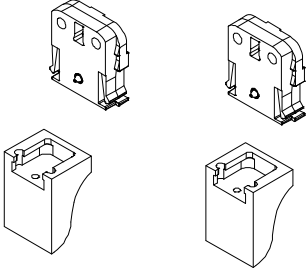
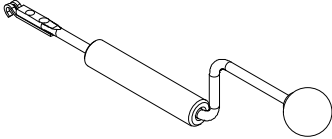
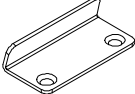
HARDWARE PARTS

ILLUSTRATION NOT TO SCALE	DESCRIPTION	OPER./ COLOR	PART NO.
 <p>RH shown</p>	<p>Bottom Sash Latch Assembly <i>Uses (not included):</i> 1 – #6x1" Phillips flat head screw (11800660) 1 – #8x1 1/4" Phillips pan head screw (11800825) NOTE: Right hand screw in Left hand assembly and Left hand screw in Right hand assembly.</p>	<p>LH RH</p>	<p>10501463 10501464</p>
 <p>RH shown</p>	<p>Bottom Sash Manual Latch Assembly – Lift Lock (Single Hung Only) <i>Uses (not included):</i> 1 – #6x1" Phillips flat head screw (11800660) 1 – #8x1 1/4" Phillips pan head screw (11800825) 1 – #6x 5/8" Phillips pan head screw (11801625)</p>	<p>LH BG LH WH LH BK RH BG RH WH RH BK</p>	<p>10501508 10501505 10501511 10501509 10501506 10501512</p>
 <p>RH shown</p>	<p>Bottom Sash Manual Latch Assembly – Lift Lock with Lock Status Sensor (Single Hung Only) <i>Uses (not included):</i> 1 – #6x1" Phillips flat head screw (11800660) 1 – #8x1 1/4" Phillips pan head screw (11800825) 1 – #6x 5/8" Phillips pan head screw (11801625)</p>	<p>RH BG RH WH RH BK</p>	<p>10501510 10501507 10501513</p>
	<p>Top Sash Tilt Latch Assembly <i>Uses (not included):</i> 1 – #6x1 1/2" Phillips flat head screw (11800133)</p>		<p>10500779</p>
	<p>Cord Guide Assembly Bottom Sash <i>Lineal length of cord included.</i></p>	<p>BG WH BK</p>	<p>10501215 10501216 10501217</p>
<p>LH Shown</p> 	<p>Bottom Sash Tilt Pin <i>Uses (not included):</i> 2 – #7x1 1/4" Phillips flathead wood screw (11806108)</p>	<p>LH RH</p>	<p>10500762 10500763</p>
<p>LH Shown</p> 	<p>Top Sash Tilt Pin <i>Uses (not included):</i> 2 – #7x3/4" Phillips flathead wood screw (11806108)</p>	<p>LH RH</p>	<p>10500775 10500776</p>
	<p>Clutch Assembly</p>	<p>BK</p>	<p>10501430</p>

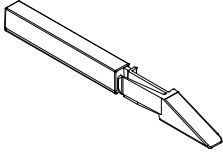
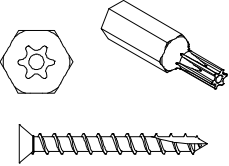
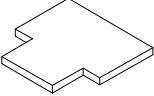
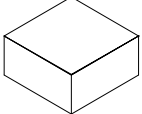
HARDWARE PARTS

ILLUSTRATION NOT TO SCALE	DESCRIPTION	OPER./ COLOR	PART NO.
	<p>Strike Assembly Kit</p> <p><i>Includes:</i> Strike base, button and two color match wood screws</p> <p>Strike Base and Button (each): BZ (10501221), ORB (10501226), TP (10501222), PC (10501227), WH (10501223), SC (10501228), AB (10501224), SN (10501229), BS (10501225), MBK (10501230)</p> <p>Screws (each): #7 x 7/8" color match wood screws BZ (11807879), ORB (11807878), TP (11807880), PC (11807885), WH (11807875), SC (11807884), AB (11807883), SN (11807881), BS (11807882), MBK (11807886)</p>	<p>BZ TP WH AB BS ORB PC SC SN MBK</p>	<p>11851412 11851410 11851411 11851413 11851414 11851415 11851416 11851417 11851418 11851419</p>
	<p>Jamb Adjustment Screw</p>	<p>BK</p>	<p>10501518</p>
	<p>Interior Sash Stop V2399</p>	<p>WH BG BK</p>	<p>15709400 15709402 15709401</p>
	<p>Clad Jamb Hole Plug – Insert Units Painted Brass</p>	<p>WB HS CC CG CO CU/MSL MLB CY SE GM</p>	<p>11882870 11882890 11882888 11882886 11882884 11882880 11882860 11882866 11882864 11882862</p>
	<p>Clad Jamb Hole Plug – Insert Units</p>	<p>SW BZ PB BN/MCP EG EB CS SA</p>	<p>11882868 11882668 11882568 11882468 11882768 11882168 11882269 356868</p>
	<p>Installation Screw #8 x 3" T-20 TORX head (11800917)</p>	<p>Qty 6 Qty 10</p>	<p>11101788 11101787</p>
	<p>Replacement Installation Kit</p> <p><i>Includes:</i> Installation screw packages (qty of 6 or 10) Clad jamb hole plugs (quantity dependent upon unit configuration, type is dependent upon exterior finish) 2- Interior sash stops Installation instructions and install quick guide</p>	<p>Please contact your Marvin representative with the original order and line number to order.</p>	

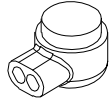

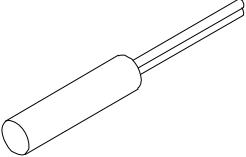
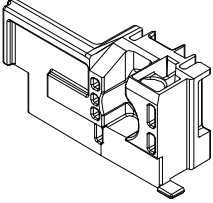
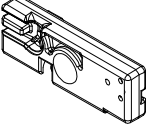
HARDWARE PARTS

ILLUSTRATION NOT TO SCALE	DESCRIPTION	OPER./ COLOR	PART NO.
 <p>RH Shown</p>	<p>Jamb Receiver Assembly Includes: Foam Gasket and Pile Weather Strip</p>	<p>LH RH</p>	<p>10500765 10500766</p>
	<p>Bottom Sash Limiter Note: 2 needed per unit.</p>	<p>WH BG BK</p>	<p>10501517 10501515 10501516</p>
	<p>Exterior Sash Stop V2257 – 8" (203) NOTE: For V2257 Top Sash Limiter see Vinyl Replacement parts page.</p>	<p>WH BG BK</p>	<p>15366608 15366708 15366508</p>
	<p>Exterior Sash Lug Retainer Uses (not included): 1 – #8–15x3/4" Full thread 410 SS screw (11800208)</p>	<p>BK</p>	<p>10500769</p>
	<p>Exterior Sash Lug Kit – Ogee Profile Includes: 2 – Exterior Sash Lugs – Ogee Profile 2 – Exterior Sash Lug Retainers 2 – #8–15x3/4" Full thread 410 SS screw (11800208)</p>	<p>SA HS CC CO CS EB WB FB SW EG BZ PB BN MSL MCP MLB CY GM SE</p>	<p>11894166 11894165 11894164 11894162 11894160 11894159 11894157 11894156 11894155 11894154 11894153 11894152 11894151 11894168 11894167 11894171 11894174 18894172 11894173</p>
	<p>Balance Tube Tensioning Tool</p>		<p>05570910</p>
	<p>Transom Sill Bracket Uses (not included): 2 – #7x3/4" Phillips flat head screw – 02050321</p>	<p>SS</p>	<p>10500768</p>

HARDWARE PARTS

ILLUSTRATION NOT TO SCALE	DESCRIPTION	OPER./C OLOR	PART NO.
	<p>Non-Tilt Sash Removal Tool Kit</p> <p><i>Includes:</i> 2 - Non-Tilt Sash Removal Tool</p>	BK	11860094
	<p>Sash Installation Kit</p> <p>(For use with A3077 Exterior Filler)</p> <p><i>Includes:</i> 24 - #9x1 5/8" Torx flat head screws(11800914) 1 - T-20 Insert Bit 1 - Instruction (19915487)</p>		11869268
	<p>Foam Pad Sill</p>	BK	15350024
	<p>Jamb Filler Foam (Roll)</p>	BK	15350016

PARTS FOR LOCK STATUS SENSOR

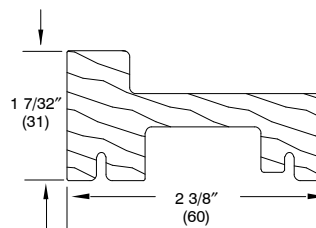
ILLUSTRATION NOT TO SCALE	DESCRIPTION	OPER./ COLOR	PART NO.
	Wire Connector, IDC <i>Holes sized for 22AWG Wire</i>		10501825
	Magnet Housing Assembly <i>Includes: 1 - Magnet 1/4 " x 1/8 " N42 1 - Magnet Housing</i>	BK WH	10501834 10501835
	.245 x 1.000 Firecracker Reed Switch <i>72 " long</i>	BK	10501827
	Jamb Receiver, Firecracker <i>RH only</i>	BK	10500719
	Bottom Sash Latch Assembly <i>Used to make compatible with Lock Status Sensor. Cannot be purchased separately must be included in the assembled version RH only</i>		10501474

When ordering wood replacement parts for the lock status sensor, specify:

1. Profile number
2. Unit type
3. Length
4. Finish
5. Species (if applicable)

Description	Profile
Transmitter cover	W12982


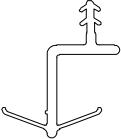
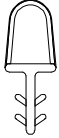

W12982
Transmitter Cover -
Lock Status Sensor



WEATHER STRIP

When ordering replacement weather strip, specify:

1. Original order number (if available)
2. Quantity
3. Part number
4. Description

ILLUSTRATION <i>NOT TO SCALE</i>	DESCRIPTION	COLOR	PART NUMBER
	V2682 Jamb Weather Strip <i>Operator, Picture and Transom</i>	96" (2438) WH BG BK	15262896 15363096 15262996
	V2839 Head Jamb Weather Strip	65" (1651) WH BG BK	15363365 15363465 15363565
	V2803 Check Rail Weather Strip	65" (1651) WH BG BK	15816165 15816265 15816365
	V2779 Weather Strip	65" (1651) BK 120" (3048) BK	15362965 15362995

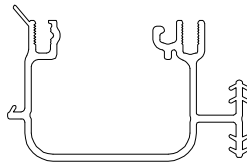
VINYL JAMB LINER

NOTE: For units with retractable screens subtract 2" from Finish Overall height for the interior pieces

To order replacement jamb liner, specify:

1. Provide the original order number and line number (if available)
2. Color
3. Quantity
4. Glass height one sash (daylight opening + 1.25 for the height = glass height). Measure both sash if they are not equal size

If experiencing operational difficulties please contact your Marvin Representative.

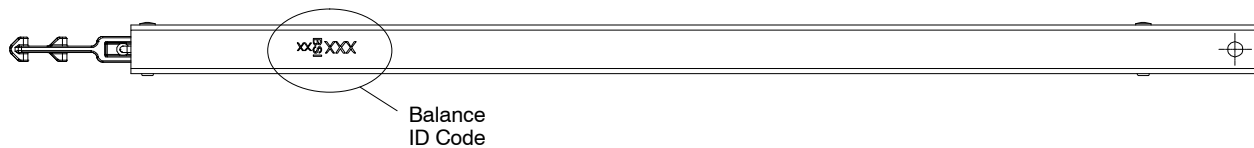


NOTE: Before ordering replacement balance tubes, please contact Marvin Inside Sales or a Customer Care Service Agent to have the balances recalculated.

Block and tackle balance tubes with ID Code can be ordered by part number (see chart below):

1. Provide the original order number when possible. The ID code is imprinted on the tube (see illustration below)
2. Specify top or bottom sash
3. Specify quantity. Do **NOT** specify as pairs or sets
 If one tube is needed, specify: quantity 1
 If two tubes are needed, specify: quantity 2

If experiencing operational difficulties please contact your Marvin Representative.



Balance Tube Assembly Part Numbers – Block and Tackle – Post 4/30/2018											
Balance ID Code	Part #	Balance ID Code	Part #	Balance ID Code	Part #	Balance ID Code	Part #	Balance ID Code	Part #	Balance ID Code	Part #
A		AN		B		BN		C		CN	
8A	10705008	8AN		8B	10705108	8BN		8C	10705208	8CN	
12A	10705012	12AN		12B	10705112	12BN		12C	10705212	12CN	
16A		16AN	10709016	16B	10705116	16BN		16C	10705216	16CN	
20A	10705020	20AN		20B		20BN	10709120	20C		20CN	10711220
24A	10705024	24AN		24B	10705124	24BN		24C	10705224	24CN	10711224
28A		28AN	10709028	28B	10705128	28BN		28C		28CN	10711228
32A		32AN	10709032	32B	10705132	32BN		32C	10710232	32CN	
36A	10705036	36AN	10709036	36B	10705136	36BN	10709136	36C	10705236	36CN	
40A		40AN	10709040	40B		40BN	10709140	40C		40CN	
44A	10705044	44AN		44B		44BN	10709144	44C	10705244	44CN	
48A		48AN	10709048	48B	10705148	48BN	10709148	48C		48CN	
52A	10705052	52AN		52B	10705152	52BN		52C	10705252	52CN	
54A		54AN		54B	10705154	54BN		54C	10705254	54CN	

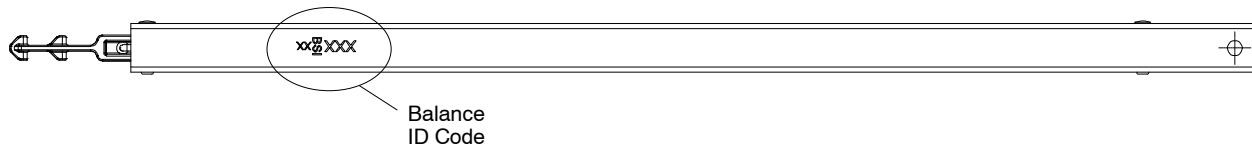
Balance Tube Assembly Part Numbers – Block and Tackle – Post 4/30/2018											
Balance ID Code	Part #	Balance ID Code	Part #	Balance ID Code	Part #	Balance ID Code	Part #	Balance ID Code	Part #	Balance ID Code	Part #
D		DD		DN		DR		E		ED	
8D		8DD		8DN		8DR		8E	10705408	8ED	
12D		12DD		12DN		12DR		12E	10705412	12ED	
16D	10710316	16DD		16DN		16DR		16E	10705416	16ED	10711416
20D	10710320	20DD		20DN		20DR		20E	10710420	20ED	10711420
24D		24DD		24DN		24DR	10711524	24E	10710424	24ED	
28D		28DD	10711628	28DN	10711328	28DR		28E		28ED	
32D	10710332	32DD		32DN		32DR		32E		32ED	
36D		36DD		36DN		36DR		36E		36ED	
40D	10710340	40DD		40DN		40DR		40E	10710440	40ED	
44D	10710344	44DD		44DN		44DR		44E		44ED	
48D	10710348	48DD		48DN		48DR		48E	10710448	48ED	
52D	10705352	52DD		52DN		52DR		52E		52ED	
54D		54DD		54DN		54DR		54E		54ED	

NOTE: Before ordering replacement balance tubes, please contact Marvin Inside Sales or a Customer Care Service Agent to have the balances recalculated.

Block and tackle balance tubes with ID Code can be ordered by part number (see chart below):

1. Provide the original order number when possible. The ID code is imprinted on the tube (see illustration below)
2. Specify top or bottom sash
3. Specify quantity. Do **NOT** specify as pairs or sets
 If one tube is needed, specify: quantity 1
 If two tubes are needed, specify: quantity 2

If experiencing operational difficulties please contact your Marvin Representative.



Balance Tube Assembly Part Numbers – Block and Tackle – Post 4/30/2018											
Balance ID Code	Part #	Balance ID Code	Part #	Balance ID Code	Part #	Balance ID Code	Part #	Balance ID Code	Part #	Balance ID Code	Part #
EN		F		FNU		G		H		I	
8EN		8F		8FNU		8G		8H		8I	
12EN		12F		12FNU	10709512	12G		12H		12I	
16EN		16F		16FNU		16G	10705616	16H		16I	
20EN		20F		20FNU		20G		20H	10705720	20I	
24EN		24F		24FNU		24G	10710624	24H		24I	
28EN		28F	10710528	28FNU		28G		28H		28I	
32EN		32F		32FNU		32G	10705632	32H		32I	
36EN		36F	10705536	36FNU		36G		36H		36I	
40EN		48F		40FNU		40G		40H		40I	
44EN		44F		44FNU		44G		44H		44I	
48EN		48F		48FNU		48G		48H		48I	
52EN		52F		52FNU		52G		52H		52I	
54EN		54F		54FNU		54G		54H		54I	

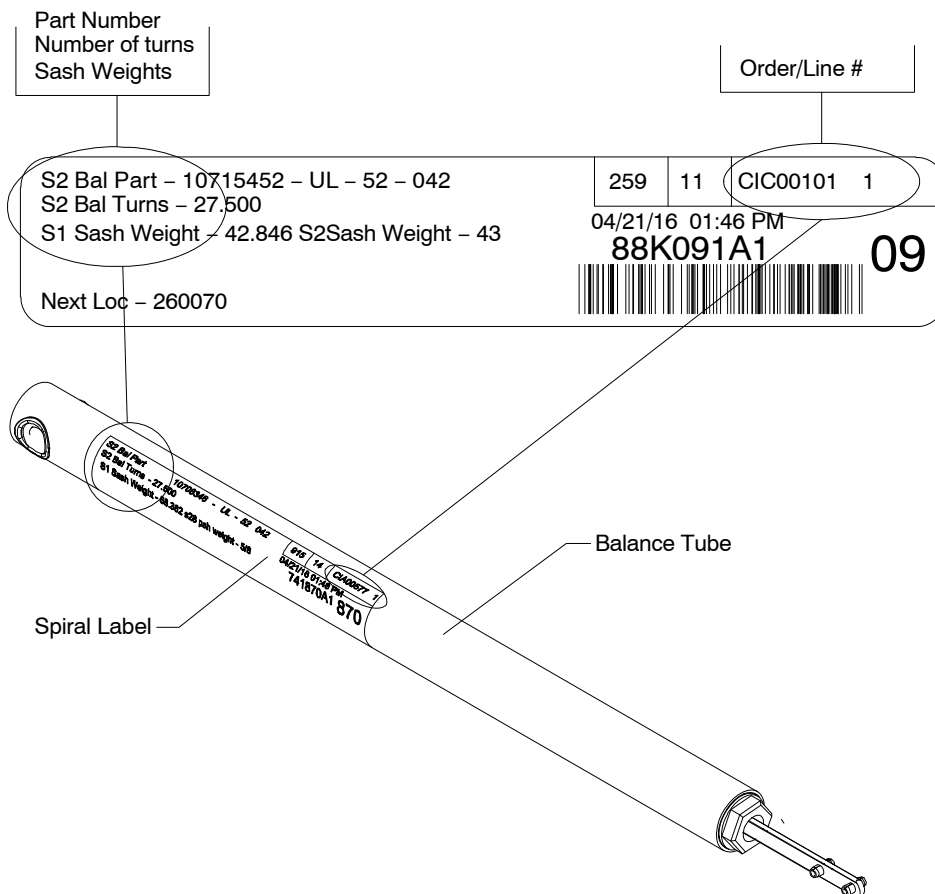
BALANCE TUBES – SPIRAL

NOTE: Before ordering replacement balance tubes, please contact Marvin Inside Sales or a Customer Care Service Agent to have the balances recalculated.

Spiral balance tubes can be ordered with the information that comes on the label adhered to the balance tube: Sales order line number, Marvin part number, and number of turns.

If the label is missing, follow instructions below to order your Spiral balance tube.

1. Provide the original order number when possible (note if it's top or bottom sash)
2. Balance type and Balance ID code, they are imprinted on balance tube (see illustration below)
3. Weight of sash
4. Specify top or bottom sash
5. Specify quantity. Do **NOT** specify as pairs or sets
If one tube is needed, specify: quantity 1
If two tubes are needed, specify: quantity 2



BALANCE TUBES – SPIRAL

NOTE: Before ordering replacement balance tubes, please contact Marvin Inside Sales or a Customer Care Service Agent to have the balances recalculated.

UL SERIES

Part Number	Balance ID Code	Length (in)	Part Number	Balance ID Code	Length (in)	Part Number	Balance ID Code	Length (in)
UL Series								
10715008	8-24	8	10715614	14-51	14	10715718	18-56	18
10715108	8-28	8	10715014	14-24	14	10715818	18-61	18
10715208	8-32	8	10715114	14-28	14	10715918	18-66	18
10715009	9-24	9	10715214	14-32	14	10715018	18-24	18
10715109	9-28	9	10715315	15-37	15	10715118	18-28	18
10715209	9-32	9	10715415	15-42	15	10715218	18-32	18
10715309	9-37	9	10715515	15-47	15	10715318	18-37	18
10715310	10-37	10	10715615	15-51	15	10715419	19-42	19
10715410	10-42	10	10715715	15-56	15	10715519	19-47	19
10715010	10-24	10	10715015	15-24	15	10715619	19-51	19
10715110	10-28	10	10715115	15-28	15	10715719	19-56	19
10715210	10-32	10	10715215	15-32	15	10715819	19-61	19
10715311	11-37	11	10715416	16-42	16	10715919	19-66	19
10715411	11-42	11	10715516	16-47	16	10715019	19-24	19
10715011	11-24	11	10715616	16-51	16	10715119	19-28	19
10715111	11-28	11	10715716	16-56	16	10715219	19-32	19
10715211	11-32	11	10715816	16-61	16	10715319	19-37	19
10715312	12-37	12	10715016	16-24	16	10715420	20-42	20
10715412	12-42	12	10715116	16-28	16	10715520	20-47	20
10715512	12-47	12	10715216	16-32	16	10715620	20-51	20
10715612	12-51	12	10715316	16-37	16	10715720	20-56	20
10715012	12-24	12	10715417	17-42	17	10715820	20-61	20
10715112	12-28	12	10715517	17-47	17	10715920	20-66	20
10715212	12-32	12	10715617	17-51	17	10716020	20-71	20
10715313	13-37	13	10715717	17-56	17	10715020	20-24	20
10715413	13-42	13	10715817	17-61	17	10715120	20-28	20
10715513	13-47	13	10715917	17-66	17	10715220	20-32	20
10715613	13-51	13	10715017	17-24	17	10715320	20-37	20
10715013	13-24	13	10715117	17-28	17	10706721	21-61	21
10715113	13-28	13	10715217	17-32	17	10706821	21-66	21
10715213	13-32	13	10715317	17-37	17	10706722	22-61	22
10715314	14-37	14	10715418	18-42	18	10706723	23-61	23
10715414	14-42	14	10715518	18-47	18	10706724	24-61	24
10715514	14-47	14	10715618	18-51	18	10706725	25-61	25

BALANCE TUBES – SPIRAL

NOTE: Before ordering replacement balance tubes, please contact Marvin Inside Sales or a Customer Care Service Agent to have the balances recalculated.

UL SERIES

Part Number	Balance ID Code	Length (in)	Part Number	Balance ID Code	Length (in)	Part Number	Balance ID Code	Length (in)
UL Series								
10706726	26-61	26	10706760	60-61	60	10706854	54-66	54
10706727	27-61	27	10706821	21-66	21	10706855	55-66	55
10706728	28-61	28	10706822	22-66	22	10706856	56-66	56
10706729	29-61	29	10706823	23-66	23	10706857	57-66	57
10706730	30-61	30	10706824	24-66	24	10706858	58-66	58
10706731	31-61	31	10706825	25-66	25	10706859	59-66	59
10706732	32-61	32	10706826	26-66	26	10706860	60-66	60
10706733	33-61	33	10706827	27-66	27	10706921	21-71	21
10706734	34-61	34	10706828	28-66	28	10706922	22-71	22
10706735	35-61	35	10706829	29-66	29	10706923	23-71	23
10706736	36-61	36	10706830	30-66	30	10706924	24-71	24
10706737	37-61	37	10706831	31-66	31	10706925	25-71	25
10706738	38-61	38	10706832	32-66	32	10706926	26-71	26
10706739	39-61	39	10706833	33-66	33	10706927	27-71	27
10706740	40-61	40	10706834	34-66	34	10706928	28-71	28
10706741	41-61	41	10706835	35-66	35	10706929	29-71	29
10706742	42-61	42	10706836	36-66	36	10706930	30-71	30
10706743	43-61	43	10706837	37-66	37	10706931	31-71	31
10706744	44-61	44	10706838	38-66	38	10706932	32-71	32
10706745	45-61	45	10706839	39-66	39	10706933	33-71	33
10706746	46-61	46	10706840	40-66	40	10706934	34-71	34
10706747	47-61	47	10706841	41-66	41	10706935	35-71	35
10706748	48-61	48	10706842	42-66	42	10706936	36-71	36
10706749	49-61	49	10706843	43-66	43	10706937	37-71	37
10706750	50-61	50	10706844	44-66	44	10706938	38-71	38
10706751	51-61	51	10706845	45-66	45	10706939	39-71	39
10706752	52-61	52	10706846	46-66	46	10706940	40-71	40
10706753	53-61	53	10706847	47-66	47	10706941	41-71	41
10706754	54-61	54	10706848	48-66	48	10706942	42-71	42
10706755	55-61	55	10706849	49-66	49	10706943	43-71	43
10706756	56-61	56	10706850	50-66	50	10706944	44-71	44
10706757	57-61	57	10706851	51-66	51	10706945	45-71	45
10706758	58-61	58	10706852	52-66	52	10706946	46-71	46
10706759	59-61	59	10706853	53-66	53	10706947	47-71	47

BALANCE TUBES – SPIRAL

NOTE: Before ordering replacement balance tubes, please contact Marvin Inside Sales or a Customer Care Service Agent to have the balances recalculated.

UL Series

Part Number	Balance ID Code	Length (in)	Part Number	Balance ID Code	Length (in)	Part Number	Balance ID Code	Length (in)
UL Series								
10706948	48-71	48	10707044	44-78	44	10708339	39-56	39
10706949	49-71	49	10707045	45-78	45	10708340	40-56	40
10706950	50-71	50	10707046	46-78	46	10708341	41-56	41
10706951	51-71	51	10707047	47-78	47	10708342	42-56	42
10706952	52-71	52	10707048	48-78	48	10708343	43-56	43
10706953	53-71	53	10707049	49-78	49	10708344	44-56	44
10706954	54-71	54	10707050	50-78	50	10708345	45-56	45
10706955	55-71	55	10707051	51-78	51	10708346	46-56	46
10706956	56-71	56	10707052	52-78	52	10708347	47-56	47
10706957	57-71	57	10707053	53-78	53	10708348	48-56	48
10706958	58-71	58	10707054	54-78	54	10708349	49-56	49
10706959	59-71	59	10707055	55-78	55	10708350	50-56	50
10706960	60-71	60	10707056	56-78	56	10708351	51-56	51
10707022	22-78	22	10707057	57-78	57	10708352	52-56	52
10707023	23-78	23	10707058	58-78	58	10708353	53-56	53
10707024	24-78	24	10707059	59-78	59	10708354	54-56	54
10707025	25-78	25	10707060	60-78	60	10708355	55-56	55
10707026	26-78	26	10708321	21-56	21	10708356	56-56	56
10707027	27-78	27	10708322	22-56	22	10708357	57-56	57
10707028	28-78	28	10708323	23-56	23	10708358	58-56	58
10707029	29-78	29	10708324	24-56	24	10708359	59-56	59
10707030	30-78	30	10708325	25-56	25	10708360	60-56	60
10707031	31-78	31	10708326	26-56	26	10715008	8-24	8
10707032	32-78	32	10708327	27-56	27	10715009	9-24	9
10707033	33-78	33	10708328	28-56	28	10715108	8-28	8
10707034	34-78	34	10708329	29-56	29	10715109	9-28	9
10707035	35-78	35	10708330	30-56	30	10715208	8-32	8
10707036	36-78	36	10708331	31-56	31	10715209	9-32	9
10707037	37-78	37	10708332	32-56	32	10715309	9-37	9
10707038	38-78	38	10708333	33-56	33	10715310	10-37	10
10707039	39-78	39	10708334	34-56	34	10715311	11-37	11
10707040	40-78	40	10708335	35-56	35	10715312	12-37	12
10707041	41-78	41	10708336	36-56	36	10715313	13-37	13
10707042	42-78	42	10708337	37-56	37	10715314	14-37	14
10707043	43-78	43	10708338	38-56	38	10715315	15-37	15

BALANCE TUBES – SPIRAL

NOTE: Before ordering replacement balance tubes, please contact Marvin Inside Sales or a Customer Care Service Agent to have the balances recalculated.

UL Series

Part Number	Balance ID Code	Length (in)	Part Number	Balance ID Code	Length (in)	Part Number	Balance ID Code	Length (in)
UL Series								
10715410	10-42	10	10715444	44-42	44	10715529	29-47	29
10715411	11-42	11	10715445	45-42	45	10715530	30-47	30
10715412	12-42	12	10715446	46-42	46	10715531	31-47	31
10715413	13-42	13	10715447	47-42	47	10715532	32-47	32
10715414	14-42	14	10715448	48-42	48	10715533	33-47	33
10715415	15-42	15	10715449	49-42	49	10715534	34-47	34
10715416	16-42	16	10715450	50-42	50	10715535	35-47	35
10715417	17-42	17	10715451	51-42	51	10715536	36-47	36
10715418	18-42	18	10715452	52-42	52	10715537	37-47	37
10715419	19-42	19	10715453	53-42	53	10715538	38-47	38
10715420	20-42	20	10715454	54-42	54	10715539	39-47	39
10715421	21-42	21	10715455	55-42	55	10715540	40-47	40
10715422	22-42	22	10715456	56-42	56	10715541	41-47	41
10715423	23-42	23	10715457	57-42	57	10715542	42-47	42
10715424	24-42	24	10715458	58-42	58	10715543	43-47	43
10715425	25-42	25	10715459	59-42	59	10715544	44-47	44
10715426	26-42	26	10715460	60-42	60	10715545	45-47	45
10715427	27-42	27	10715512	12-47	12	10715546	46-47	46
10715428	28-42	28	10715513	13-47	13	10715547	47-47	47
10715429	29-42	29	10715514	14-47	14	10715548	48-47	48
10715430	30-42	30	10715515	15-47	15	10715549	49-47	49
10715431	31-42	31	10715516	16-47	16	10715550	50-47	50
10715432	32-42	32	10715517	17-47	17	10715551	51-47	51
10715433	33-42	33	10715518	18-47	18	10715552	52-47	52
10715434	34-42	34	10715519	19-47	19	10715553	53-47	53
10715435	35-42	35	10715520	20-47	20	10715554	54-47	54
10715436	36-42	36	10715521	21-47	21	10715555	55-47	55
10715437	37-42	37	10715522	22-47	22	10715556	56-47	56
10715438	38-42	38	10715523	23-47	23	10715557	57-47	57
10715439	39-42	39	10715524	24-47	24	10715558	58-47	58
10715440	40-42	40	10715525	25-47	25	10715559	59-47	59
10715441	41-42	41	10715526	26-47	26	10715560	60-47	60
10715442	42-42	42	10715527	27-47	27	10715612	12-51	12
10715443	43-42	43	10715528	28-47	28	10715613	13-51	13

BALANCE TUBES – SPIRAL

NOTE: Before ordering replacement balance tubes, please contact Marvin Inside Sales or a Customer Care Service Agent to have the balances recalculated.

UL Series

Part Number	Balance ID Code	Length (in)	Part Number	Balance ID Code	Length (in)
UL Series					
10715614	14-51	14	10715646	46-51	46
10715615	15-51	15	10715647	47-51	47
10715616	16-51	16	10715648	48-51	48
10715617	17-51	17	10715649	49-51	49
10715618	18-51	18	10715650	50-51	50
10715619	19-51	19	10715651	51-51	51
10715620	20-51	20	10715652	52-51	52
10715621	21-51	21	10715653	53-51	53
10715622	22-51	22	10715654	54-51	54
10715623	23-51	23	10715655	55-51	55
10715624	24-51	24	10715656	56-51	56
10715625	25-51	25	10715657	57-51	57
10715626	26-51	26	10715658	58-51	58
10715627	27-51	27	10715659	59-51	59
10715628	28-51	28	10715660	60-51	60
10715629	29-51	29	10715715	15-56	15
10715630	30-51	30	10715716	16-56	16
10715631	31-51	31	10715717	17-56	17
10715632	32-51	32	10715718	18-56	18
10715633	33-51	33	10715719	19-56	19
10715634	34-51	34	10715720	20-56	20
10715635	35-51	35	10715816	16-61	16
10715636	36-51	36	10715817	17-61	17
10715637	37-51	37	10715818	18-61	18
10715638	38-51	38	10715819	19-61	19
10715639	39-51	39	10715820	20-61	20
10715640	40-51	40	10715917	17-66	17
10715641	41-51	41	10715918	18-66	18
10715642	42-51	42	10715919	19-66	19
10715643	43-51	43	10715920	20-66	20
10715644	44-51	44	10716020	20-71	20
10715645	45-51	45			

BALANCE TUBES – SPIRAL

NOTE: Before ordering replacement balance tubes, please contact Marvin Inside Sales or a Customer Care Service Agent to have the balances recalculated.

ULX Series

Part Number	Balance ID Code	Length (in)	Part Number	Balance ID Code	Length (in)	Part Number	Balance ID Code	Length (in)
ULX Series								
10716129	29-84	29	10716231	31-94	31	10707334	34-105	34
10716130	30-84	30	10716232	32-94	32	10707335	35-105	35
10716131	31-84	31	10707233	33-94	33	10707336	36-105	36
10716132	32-84	32	10707234	34-94	34	10707337	37-105	37
10707133	33-84	33	10707235	35-94	35	10707338	38-105	38
10707134	34-84	34	10707236	36-94	36	10707339	39-105	39
10707135	35-84	35	10707237	37-94	37	10707340	40-105	40
10707136	36-84	36	10707238	38-94	38	10707341	41-105	41
10707137	37-84	37	10707239	39-94	39	10707342	42-105	42
10707138	38-84	38	10707240	40-94	40	10707343	43-105	43
10707139	39-84	39	10707241	41-94	41	10707344	44-105	44
10707140	40-84	40	10707242	42-94	42	10707345	45-105	45
10707141	41-84	41	10707243	43-94	43	10707346	46-105	46
10707142	42-84	42	10707244	44-94	44	10707347	47-105	47
10707143	43-84	43	10707245	45-94	45	10707348	48-105	48
10707144	44-84	44	10707246	46-94	46	10707349	49-105	49
10707145	45-84	45	10707247	47-94	47	10707350	50-105	50
10707146	46-84	46	10707248	48-94	48	10707351	51-105	51
10707147	47-84	47	10707249	49-94	49	10707352	52-105	52
10707148	48-84	48	10707250	50-94	50	10707353	53-105	53
10707149	49-84	49	10707251	51-94	51	10707354	54-105	54
10707150	50-84	50	10707252	52-94	52	10707355	55-105	55
10707151	51-84	51	10707253	53-94	53	10707356	56-105	56
10707152	52-84	52	10707254	54-94	54	10707357	57-105	57
10707153	53-84	53	10707255	55-94	55	10707358	58-105	58
10707154	54-84	54	10707256	56-94	56	10707359	59-105	59
10707155	55-84	55	10707257	57-94	57	10707360	60-105	60
10707156	56-84	56	10707258	58-94	58	10716430	30-117	30
10707157	57-84	57	10707259	59-94	59	10716431	31-117	31
10707158	58-84	58	10707260	60-94	60	10716432	32-117	32
10707159	59-84	59	10716330	30-105	30	10707433	33-117	33
10707160	60-84	60	10716331	31-105	31	10707434	34-117	34
10716229	29-94	29	10716332	32-105	32	10707435	35-117	35
10716230	30-94	30	10707333	33-105	33	10707436	36-117	36

BALANCE TUBES – SPIRAL

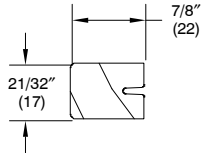
NOTE: Before ordering replacement balance tubes, please contact Marvin Inside Sales or a Customer Care Service Agent to have the balances recalculated.

ULX Series

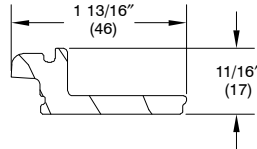
Part Number	Balance ID Code	Length (in)	Part Number	Balance ID Code	Length (in)	Part Number	Balance ID Code	Length (in)
ULX Series								
10707437	37-117	37	10716530	30-128	30	10707554	54-128	54
10707438	38-117	38	10716531	31-128	31	10707555	55-128	55
10707439	39-117	39	10716532	32-128	32	10707556	56-128	56
10707440	40-117	40	10707533	33-128	33	10707557	57-128	57
10707441	41-117	41	10707534	34-128	34	10707558	58-128	58
10707442	42-117	42	10707535	35-128	35	10707559	59-128	59
10707443	43-117	43	10707536	36-128	36	10707560	60-128	60
10707444	44-117	44	10707537	37-128	37	10716129	29-84	29
10707445	45-117	45	10707538	38-128	38	10716130	30-84	30
10707446	46-117	46	10707539	39-128	39	10716131	31-84	31
10707447	47-117	47	10707540	40-128	40	10716132	32-84	32
10707448	48-117	48	10707541	41-128	41	10716229	29-94	29
10707449	49-117	49	10707542	42-128	42	10716230	30-94	30
10707450	50-117	50	10707543	43-128	43	10716231	31-94	31
10707451	51-117	51	10707544	44-128	44	10716232	32-94	32
10707452	52-117	52	10707545	45-128	45	10716330	30-105	30
10707453	53-117	53	10707546	46-128	46	10716331	31-105	31
10707454	54-117	54	10707547	47-128	47	10716332	32-105	32
10707455	55-117	55	10707548	48-128	48	10716430	30-117	30
10707456	56-117	56	10707549	49-128	49	10716431	31-117	31
10707457	57-117	57	10707550	50-128	50	10716432	32-117	32
10707458	58-117	58	10707551	51-128	51	10716530	30-128	30
10707459	59-117	59	10707552	52-128	52	10716531	31-128	31
10707460	60-117	60	10707553	53-128	53	10716532	32-128	32

When ordering replacement wood parts, specify:

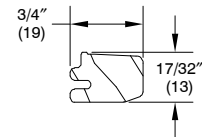
1. Original order number
2. Profile
3. Length
4. Finish



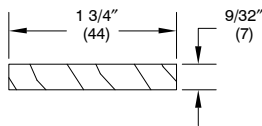
W11578 - Parting Stop



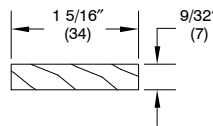
W13093 - Removable Interior Jamb Cover



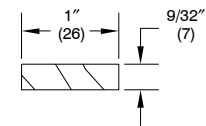
W13094 - Fixed Interior Jamb Cover



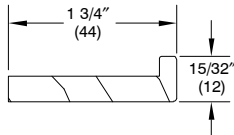
W12595
 0 Degree Sill Liner Operator



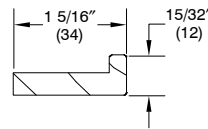
W11576
 8 Degree Sill Liner Operator



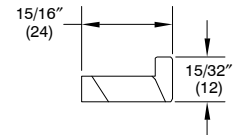
W12515
 14 Degree Sill Liner Operator



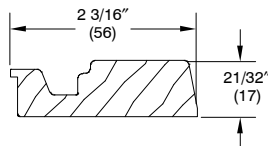
W12597
 0 Degree Sill Liner Picture/Transom



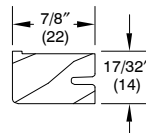
W11825
 8 Degree Sill Liner Picture/Transom



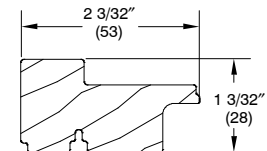
W12566
 14 Degree Sill Liner Picture/Transom



W12061 - Sill Filler

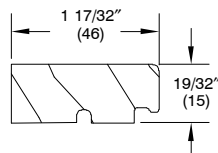


W12407 - Head Jamb/Jamb Stop

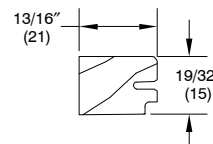


W11906 - Interior Cover

NOTE: Any picture units will require all stops to be replaced.



W12511 - Jamb Liner

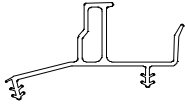


W12569 - Jamb Liner, Picture

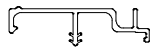
VINYL PARTS

When ordering replacement vinyl parts, specify:

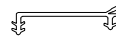
1. Provide original order number when possible
2. Profile number
3. Glass height one sash (daylight opening + 1.25 for the height = glass height)
4. Length
5. Color



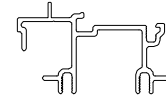
V2191 – Sill Thermal Break/Liner



V2338 – Exterior Hardware Cover



V2478 – Bottom Check Rail Exterior Hardware Cover



V2432 – Mid Exterior Cover Base



V2257 – Top Sash Limiter



V803 – Connecting Barb



V2573 Vinyl Spacer

Default Exterior Vinyl Component Colors	
Exterior Clad Color	Component Color
Stone White, Bright Silver	White
Pebble Grey, Bahama Brown, Evergreen, Hampton Sage, Sierra White, Coconut Cream, Cashmere, Wineberry, Cascade Blue	Beige
Bronze, Ebony, Cadet Grey, Copper, Clay, Gunmetal, Liberty Bronze, Suede	Black

Default Interior Vinyl Component Colors	
Factory Interior Finish	Component Color
Prime Interior Pigmented Top Coat (PIF)	White
Bare: Pine, White Oak, Cherry, Douglas Fir Interior Clear Top Coat: same as Bare Interior Stain: Wheat, Honey	Beige
Bare: Mahogany, Walnut Interior Clear Top Coat: same as Bare Interior Stain: Hazelnut, Leather, Cabernet, Espresso	Black

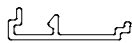
ALUMINUM PARTS

When ordering replacement aluminum parts, specify:

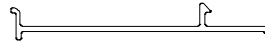
1. Provide the original order number when possible
2. Profile number
3. Glass height one sash (daylight opening + 1.25 for the height = glass height)
4. Length
5. Color



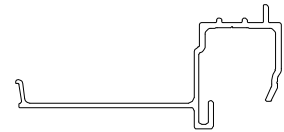
A2615 – Exterior Jamb Cover



A2460 – Mid Exterior Jamb Cover



A2700 – Exterior Cover



A3077 – Exterior Head Jamb or Jamb Cover

Default Exterior Vinyl Component Colors	
Exterior Clad Color	Component Color
Stone White, Bright Silver	White
Pebble Grey, Bahama Brown, Evergreen, Hampton Sage, Sierra White, Coconut Cream, Cashmere, Wineberry, Cascade Blue	Beige
Bronze, Ebony, Cadet Grey, Copper, Clay, Gunmetal, Liberty Bronze, Suede	Black

Default Interior Vinyl Component Colors	
Factory Interior Finish	Component Color
Prime Interior Pigmented Top Coat (PIF)	White
Bare: Pine, White Oak, Cherry, Douglas Fir Interior Clear Top Coat: same as Bare Interior Stain: Wheat, Honey	Beige
Bare: Mahogany, Walnut Interior Clear Top Coat: same as Bare Interior Stain: Hazelnut, Leather, Cabernet, Espresso	Black

Full screens are standard with aluminum surround and charcoal colored fiberglass 18 x 16 screen mesh. Aluminum mesh is available as an option in black, charcoal, bright aluminum or bright bronze. Replacement screens are ordered by the outside measurement of the screen. Insert units will use the conversions only, as they are all special sizes. Surrounds are available in bronze, stone white, brown, pebble gray and evergreen.

When ordering a replacement full screen, specify:

1. Original order number
2. Outside measurement of screen: If there is no existing screen to obtain the OM of the screen, determine the size of the screen by using the conversions below. The daylight opening is the measurement of the visible glass.
3. Surround color
4. Mesh type (if other than standard)

**Screen Sizes for
Clad Ultimate Insert Double Hung and Single Hung – NG 2.0
Daylight Opening of one sash (if equal height) to OM of screen.**

Daylight Width + 4 3/4" = OM Width of Screen

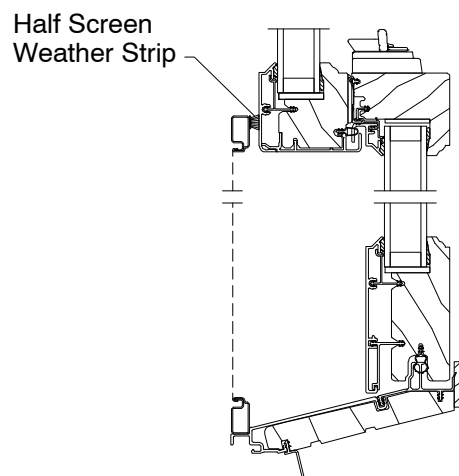
Daylight Height x 2 + 8 15/64" = OM Height of Screen

Half screens are standard with aluminum surround and charcoal colored fiberglass 18 x 16 screen mesh. Aluminum mesh is available as an option in black, charcoal, bright aluminum, or bright bronze. Determine the outside measurement of the existing screen. Surrounds are available in bronze, stone white, brown, pebble gray and evergreen.

When ordering a replacement half screen, specify:

1. Size: If there is no existing screen from which to obtain the OM of the screen, determine the size of the screen by using the conversions below. The daylight opening is the measurement of the visible glass.
2. Color
3. Mesh type (if other than standard)

Clad Ultimate Insert Double and Single Hung – NG 2.0 Half Screen Application



Screens feature
plunger type
mounting system.

Clad Ultimate Insert Double Hung and Single Hung – NG 2.0

Daylight Opening to OM of Half Screen

Daylight Width + 4 41/64" = OM Width of Screen

Daylight Height + 5 7/16" = OM Height of Screen

OPTIONAL MAGNUM SCREEN

Full screens are standard with aluminum surround and Hi-Transparency fiberglass mesh. Aluminum mesh is available as an option in black, charcoal, bright aluminum or bright bronze. Determine the outside measurement of the existing screen. Surrounds are available in all standard and select colors.

When ordering a replacement optional magnum screen, specify:

1. Size: obtain the OM of the screen, from the exiting unit or determine the size of the screen by using the conversions below. The daylight opening is the measurement of the visible glass.
2. Surround color
3. Mesh type (if other than standard)

NOTE: All screens feature plunger type mounting system.

Full Magnum Screen

DLO of one sash (if equal height) to OM of screen

$$\text{DLO Width} + 4 \frac{3}{4}'' = \text{OM Width of Screen}$$

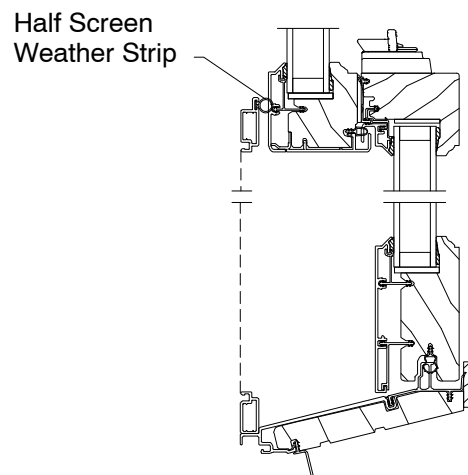
$$\text{DLO Height} \times 2 + 8 \frac{15}{64}'' = \text{OM Height of Screen}$$

Half Magnum Screen

Daylight Opening to OM of Half Screen

$$\text{Daylight Width} + 4 \frac{3}{4}'' = \text{OM Width of Screen}$$

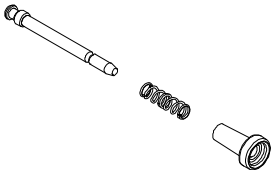
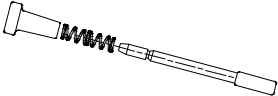
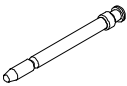


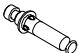
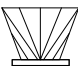

$$\text{Daylight Height} + 5 \frac{45}{64}'' = \text{OM Height of Screen}$$



SCREEN PARTS

When ordering screen replacement parts, specify:

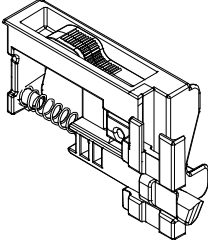
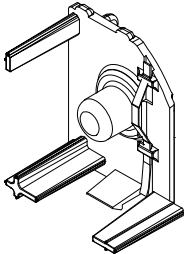
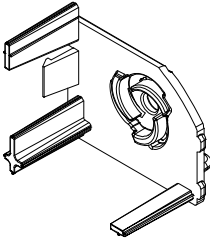
1. Original order number
2. Unit type
3. Part number
4. Description

ILLUSTRATION <i>NOT TO SCALE</i>	DESCRIPTION	COLOR	PART NO.
	<p>Screen Plunger Kit - 3 Pc <i>Base screen</i> Includes: 1 - Plunger Bolt (10500875) 1 - Plunger Spring (05070421) 1 - Plunger Cap (05070308 - BK)</p>		11851053
	<p>Magnum Plunger and Spring Assembly <i>Extruded Screen</i> Includes: 1 - Plunger Bolt (05070309) 1 - Plunger Spring (05070421) 1 - Plunger Cap (05070308 - BK)</p>		10500706
	<p>Screen Plunger Bolt <i>Base Screen</i></p>	Mill Finish	10500875
	<p>Spring, Plunger</p>		05070421
	<p>Screen Plunger Cap</p>	Black	05070308
	<p>Screen Header Pin <i>Base screen</i></p>		10500876
	<p>1/2 Screen Pile Weather Strip <i>For standard screen</i> Specify length by LF</p>	Gray	15619399
	<p>1/2 Screen T-Slot Weather Strip <i>For extruded screen</i> Specify length by LF</p>	Black	15350100

RETRACTABLE SCREEN PARTS

When ordering retractable screen replacement parts, specify:

1. Original order number
2. Unit type
3. Part number
4. Description

ILLUSTRATION <i>NOT TO SCALE</i>	DESCRIPTION	OPER./ COLOR	PART NO.
	Carrier Bolt Assembly	<u>LH</u> BG WH BK <u>RH</u> BG WH BK	10501387 10501389 10501391 10501386 10501388 10501390
	Free Spin End with Leaf Spring <i>Service Only</i>		10501700
	Ratchet End Cap <i>Service Only</i>		10500879

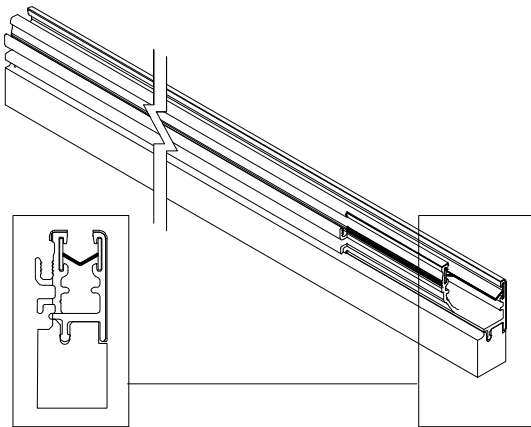
When ordering retractable screen replacement parts, specify:

1. Original order number (if available)
2. Unit type
3. Part number
4. Pull bar seal
5. Description

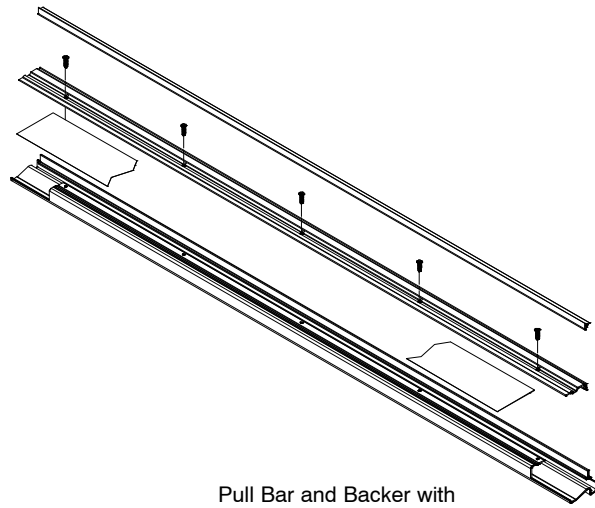


V2372 - Pull Bar Fin
 (Black or Beige)

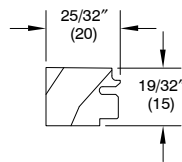
Service Only Parts



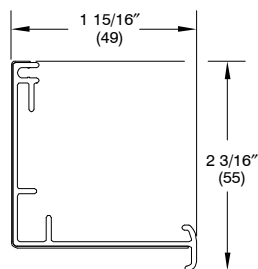
C0135 and V2627 - Screen Track Assembly
 Wood Jamb liner not included



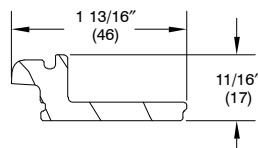
Pull Bar and Backer with
 Fin and screws



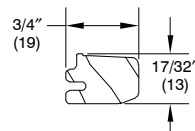
W12574 - Jamb Liner,
 Retractable Screen



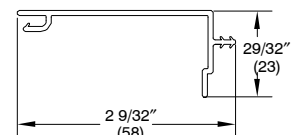
C0117 - Interior Housing



W13093 - Removable
 Interior Jamb Cover



W13094 - Fixed
 Interior Jamb Cover



V2366 - Exterior
 Housing

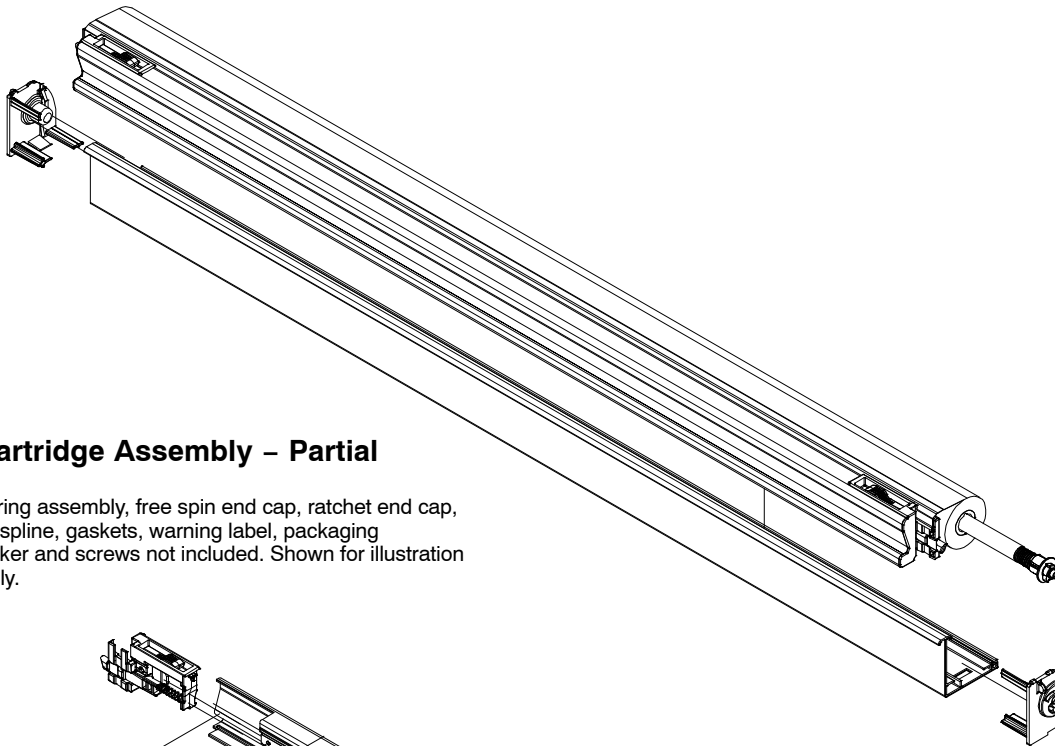
Service Only Parts

When ordering a retractable screen cartridge:

1. Order through configured parts in OMS

Screen Cartridge Assembly – Full Assembly

Includes: spring assembly, free spin end cap, ratchet end cap, interior housing, pull bar, pull bar backer, pull bar seal, carrier bolt assemblies, screen mesh, spline tube, 4 interior gaskets, screws, warning label, packaging



Screen Cartridge Assembly – Partial

Includes: spring assembly, free spin end cap, ratchet end cap, mesh, tube, spline, gaskets, warning label, packaging
Pull bar, backer and screws not included. Shown for illustration purposes only.

