

WOOD AND CLAD COMMERCIAL DOOR WOOD AND CLAD 2 1/4" COMMERCIAL DOOR

Table of Contents

	PAGE
History	2
Part Identification – Wood Commercial Door XX RHRA	3
Part Identification – Wood Commercial Door Stationary and Sidelite	4
Part Identification – Wood Commercial Door Direct Glaze Transom	5
Part Identification – Wood Commercial Door In–Sash Transom	6
Part Identification – Wood 2 1/4" Commercial Door XX RHRA	7
Part Identification – Wood 2 1/4" Commercial Door Stationary and Sidelite	8
Part Identification – Clad Commercial Door XX RHRA	9
Part Identification – Clad Commercial Door Stationary and Sidelite	10
Part Identification – Clad Commercial Door Direct Glaze Transom	11
Part Identification – Clad Commercial Door In–Sash Transom	12
Part Identification – Clad 2 1/4" Commercial Door XX RHRA	13
Part Identification – Clad 2 1/4" Commercial Door Stationary and Sidelite	14
Commercial Door Parts	15
Wood Replacement Parts	19
Replacement Sills	20
Door Hardware	21
Panel Replacement	22
Weather Strip	23
Vinyl and Aluminum Replacement Parts	24
Obsolete Parts	25
Obsolete Parts Panel Replacement and Weather Strip	26

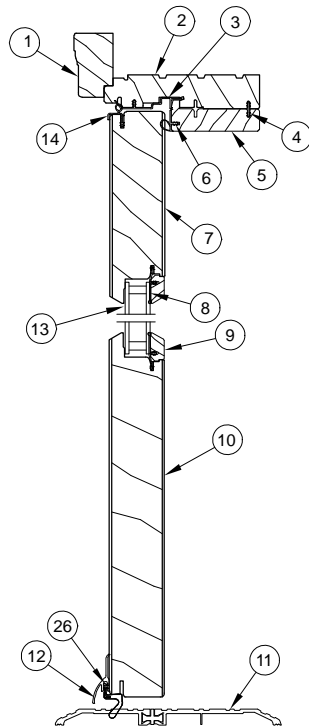
ATTENTION:

- Specification and technical data are subject to change without notice.
- Numbers listed in parentheses () are metric equivalents in millimeters rounded to the nearest whole number.

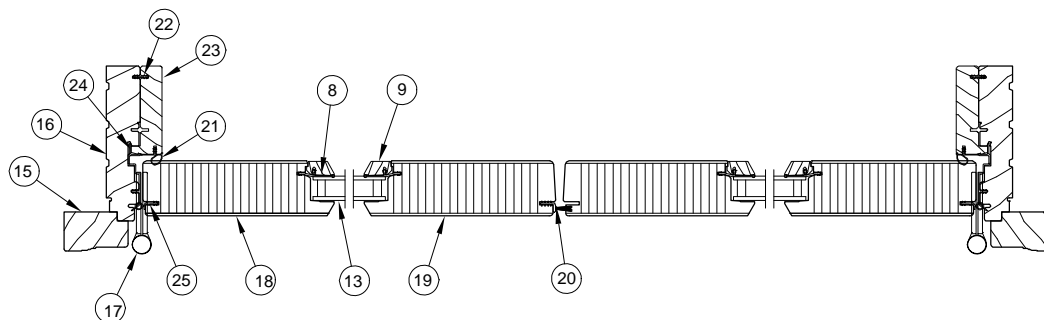
PRODUCED	UNIT TYPE	FEATURES OR CHANGES	DISCONTINUED
2000	Wood and Clad Light Commercial Prep Door Introduced	1/17/2000 Unit uses common parts with outswing door. Jambs square cut at bottom to accept commercial or ADA sills. Ball bearing 4" butt hinges standard. 1 3/8" bottom rail standard. 8/4/2000 Brushed chrome ball bearing hinges available.	2005
2005	Wood and Clad Commercial Door	Commercial Door is introduced, Outswing Light Commercial Door retired. New Commercial Door features 6" stile, 1 3/8" bottom rail, and 4 1/2" ball bearing hinges.	Present
2006	Wood and Clad 2 1/4" Commercial Door	2/2006 2 1/4" Commercial Door is introduced.	Present
2007	Wood and Clad 2 1/4" Commercial Door	2/20/07 Introduced raised and flat panels as a standard option for Marvin French Doors and Commercial Doors.	Present
2009	Wood and Clad 2 1/4" Commercial Door	3/30/2009 Implemented design changes to the 2 1/4 Outswing. Changes include new panel seep, dust blocks, IZ3/IZ4 wood bead and shoot bolt reinforcement.	Present
2011	Wood and Clad 2 1/4" Commercial Door	4/25/2011 White painted interior option introduced for all products.	Present
2011	Wood and Clad 2 1/4" Commercial Door	4/25/2011 White painted interior option introduced for all products.	Present
2012	Wood and Clad 2 1/4" Commercial Door	7/30/2012 Hardware rout options and hardware functions. New panel drip added. 10/29/2012 Interior Square Sticking/Glazing Bead option introduced. 12/17/2012 Introduced Clear Interior Finish option on all products.	Present
2013	Wood and Clad 2 1/4" Commercial Door	4/29/2013 Introduced interior stain options. Stain colors are Wheat, Honey, Leather, Hazelnut, Cabernet and Espresso.	Present
2013	Wood and Clad 2 1/4" Commercial Door	6/24/2013 Direct Glaze Standardization added upgrades and improvements to direct glaze products in both wood and clad. Glazing method is silicone and interior tape glazed. Wood bead profile is W11751.	Present
2014	Wood and Clad 2 1/4" Commercial Door	8/25/2014 Panel drip (A2408) will now match clad color. Screws will match standard clad colors. For Custom Color Clad, screws will be stainless steel.	Present
2016	Clad Commercial Door	10/31/2016 Added 9-0 Call number heights for Clad Commercial Doors with wood frames.	Present
2017	Clad Commercial Door	04/24/2017 Obsoleted the steel frame.	Present
2017	Clad Commercial Door	10/30/2017 Added prep option for Von Duprin 5547 hardware for the 2 1/4 Commercial door and a prep option for the Sargent 8200 series hardware for both the 1 3/4 and 2 1/4 Commercial doors.	Present

**WOOD COMMERCIAL DOOR
 XX RHRA**

**Head Jamb
 and Sill**



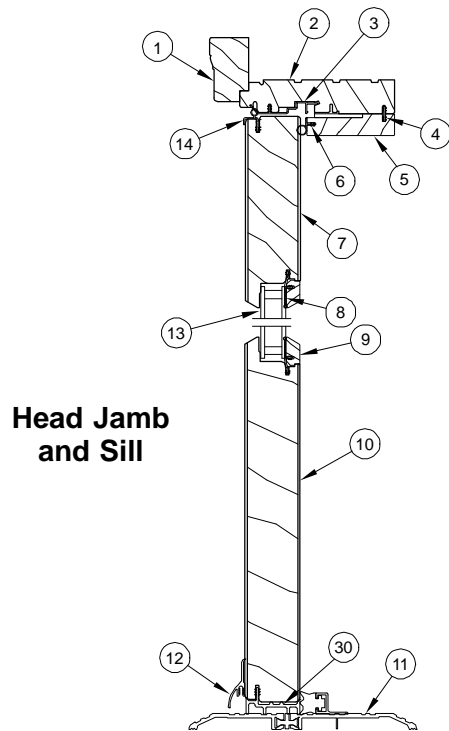
1. Head Jamb Brick Mould Casing
2. Head Jamb
3. Head Jamb Weather Strip
4. Head Jamb Stop Connecting Barb
5. Head Jamb Stop
6. Head Jamb Stop Weather Strip
7. Top Rail
8. Glazing Bead
9. Glazing Cap
10. Bottom Rail
11. Sill
12. Panel Drip – A2408
13. Insulating Glass
14. Panel Cover Weather Strip
15. Jamb Brick Mould Casing
16. Jamb
17. 4 1/2" x 4 1/2" Ball Bearing Hinge
18. Stile
19. Locking Stile
20. Locking Stile Weather Strip
21. Jamb Stop Weather Strip
22. Connecting Barb
23. Jamb Stop
24. Jamb Weather Strip
25. Hinge Stile Weather Strip
26. Panel Weather Strip, V3020



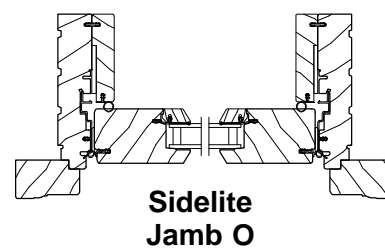
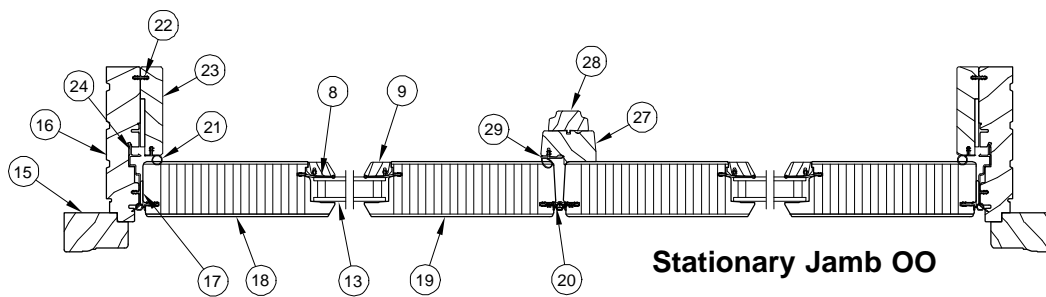
Jamb XX

NOTE: Not to scale; specifications subject to change without notice.

**WOOD COMMERCIAL DOOR
 STATIONARY AND SIDELITE**



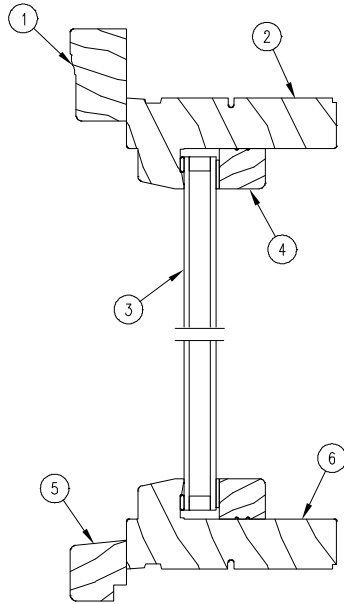
1. Head Jamb Brick Mould Casing
2. Head Jamb
3. Head Jamb Weather Strip
4. Head Jamb Stop Connecting Barb
5. Head Jamb Stop
6. Head Jamb Stop Weather Strip
7. Top Rail
8. Glazing Bead
9. Glazing Cap
10. Bottom Rail
11. Sill
12. Panel Drip – A2408
13. Insulating Glass
14. Panel Cover Weather Strip
15. Jamb Brick Mould Casing
16. Jamb
17. Panel Spacer Tack
18. Stile
19. Locking Stile
20. Stile Weather Strip
21. Jamb Stop Weather Strip
22. Connecting Barb
23. Jamb Stop
24. Jamb Weather Strip
25. Astragal Base
26. Astragal
27. Astragal Weather Strip
28. Stationary Sweep



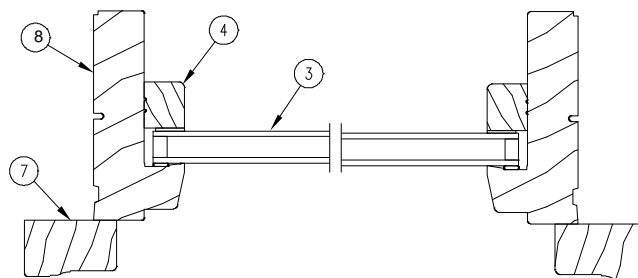
NOTE: Not to scale; specifications subject to change without notice.

**WOOD COMMERCIAL DOOR
DIRECT GLAZE TRANSOM**

**Head Jamb
and Sill**



- 1. Head Jamb Brick Mould Casing
- 2. Head Jamb
- 3. Insulating Glass
- 4. Glazing Bead (W11751)
- 5. Sill Nose (W12032)
- 6. Sill
- 7. Jamb Brick Mould Casing
- 8. Jamb

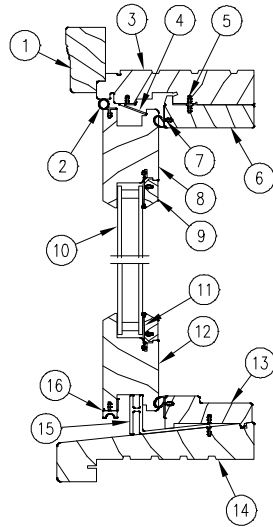


Jamb

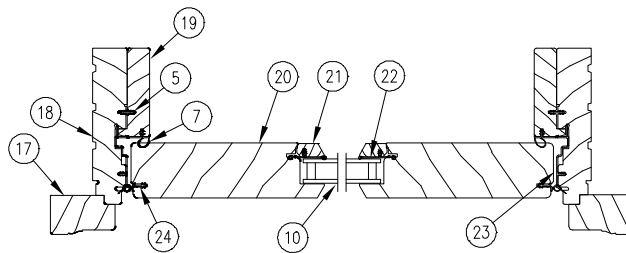
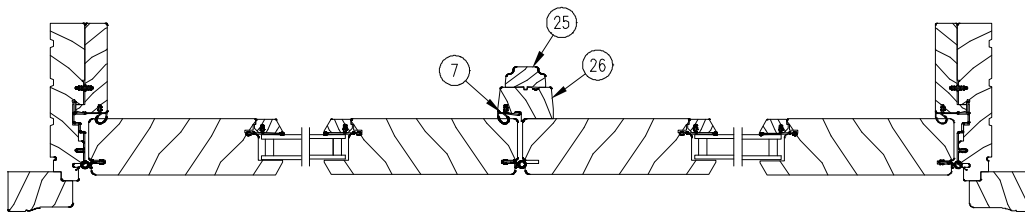
NOTE: Not to scale; specifications subject to change without notice.

**WOOD COMMERCIAL DOOR
 IN-SASH TRANSOM**

**Head Jamb
 and Sill**



1. Head Jamb Brick Mould Casing
2. Top Rail Weather Strip
3. Head Jamb
4. Sash Retainer
5. Connecting Barb
6. Head Jamb Stop
7. Bulb Weather Strip
8. Top Rail
9. Rail Glazing Cap
10. Insulating Glass
11. Rail Glazing Bead
12. Bottom Rail
13. Sill Cover
14. Sill
15. Sill Leveling Block
16. Panel Drip
17. Jamb Brick Mould Casing
18. Jamb
19. Jamb Stop
20. Stile
21. Stile Glazing Cap
22. Stile Glazing Bead
23. Frame Weather Strip
24. Stile Weather Strip
25. Astragal
26. Astragal Base

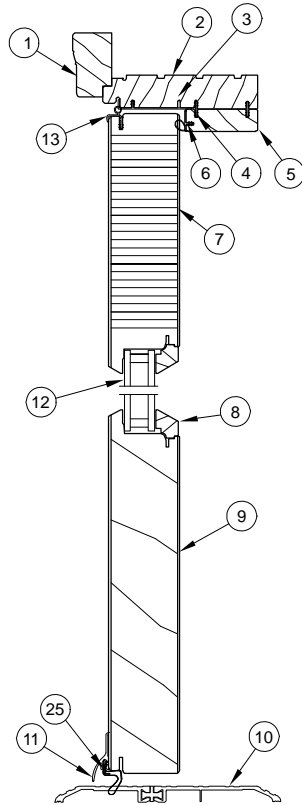


Jamb

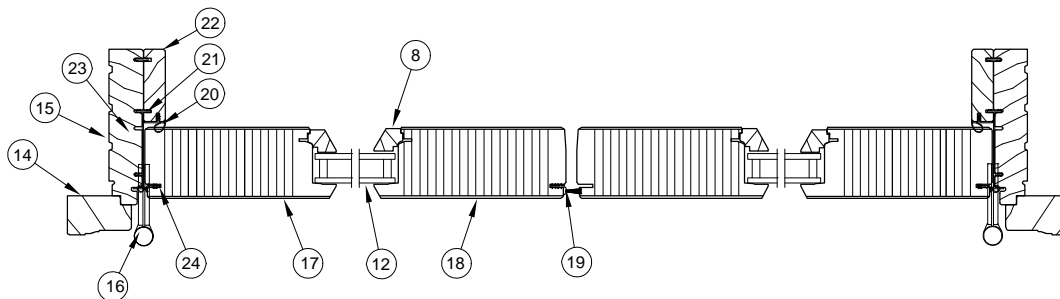
NOTE: Not to scale; specifications subject to change without notice.

**WOOD 2 1/4" COMMERCIAL DOOR
 XX RHRA**

**Head Jamb
 and Sill**



1. Head Jamb Brick Mould Casing
2. Head Jamb
3. Head Jamb Weather Strip
4. Head Jamb Stop Connecting Barb
5. Head Jamb Stop
6. Head Jamb Stop Weather Strip
7. Top Rail
8. Glazing Bead
9. Bottom Rail
10. Sill
11. Panel Drip – A2408
12. Insulating Glass
13. Panel Cover Weather Strip
14. Jamb Brick Mould Casing
15. Jamb
16. 4 1/2" x 4 1/2" Ball Bearing Hinge
17. Stile
18. Locking Stile
19. Locking Stile Weather Strip
20. Jamb Stop Weather Strip
21. Connecting Barb
22. Jamb Stop
23. Jamb Weather Strip
24. Hinge Stile Weather Strip
25. Panel Weather Strip, V3020

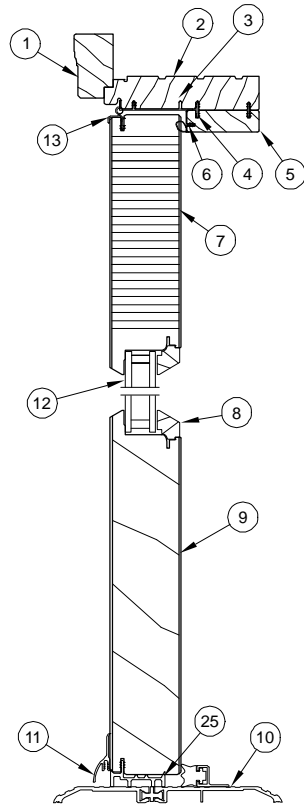


Jamb XX

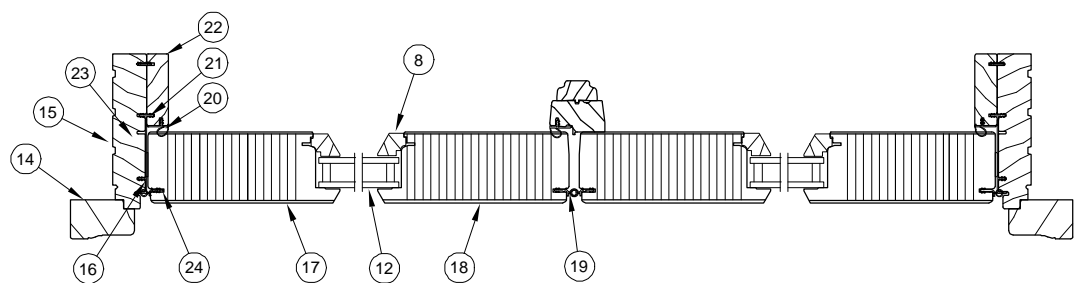
NOTE: Not to scale; specifications subject to change without notice.

**WOOD 2 1/4" COMMERCIAL DOOR
 STATIONARY AND SIDELITE**

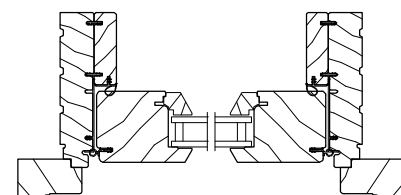
**Head Jamb
 and Sill**



1. Head Jamb Brick Mould Casing
2. Head Jamb
3. Head Jamb Weather Strip
4. Head Jamb Stop Connecting Barb
5. Head Jamb Stop
6. Head Jamb Stop Weather Strip
7. Top Rail
8. Glazing Bead
9. Bottom Rail
10. Sill
11. Panel Drip – A2408
12. Insulating Glass
13. Panel Cover Weather Strip
14. Jamb Brick Mould Casing
15. Jamb
16. Panel Spacer Track
17. Stile
18. Locking Stile
19. Locking Stile Weather Strip
20. Jamb Stop Weather Strip
21. Connecting Barb
22. Jamb Stop
23. Jamb Weather Strip
24. Hinge Stile Weather Strip
25. Stationary Sweep



Stationary

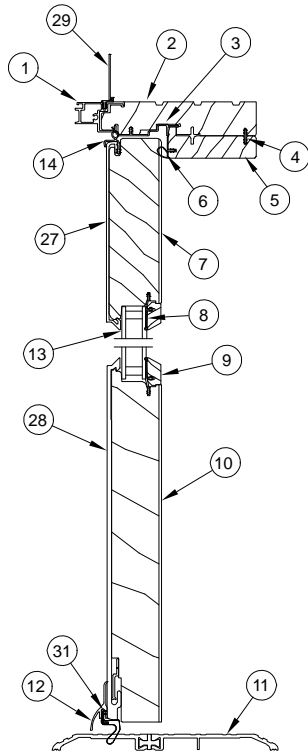


Sidelite

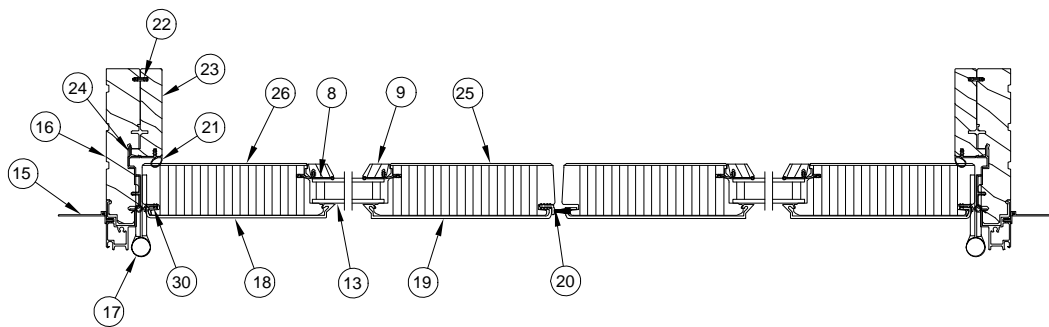
NOTE: Not to scale; specifications subject to change without notice.

**CLAD COMMERCIAL DOOR
 XX RHRA**

**Head Jamb
 and Sill**



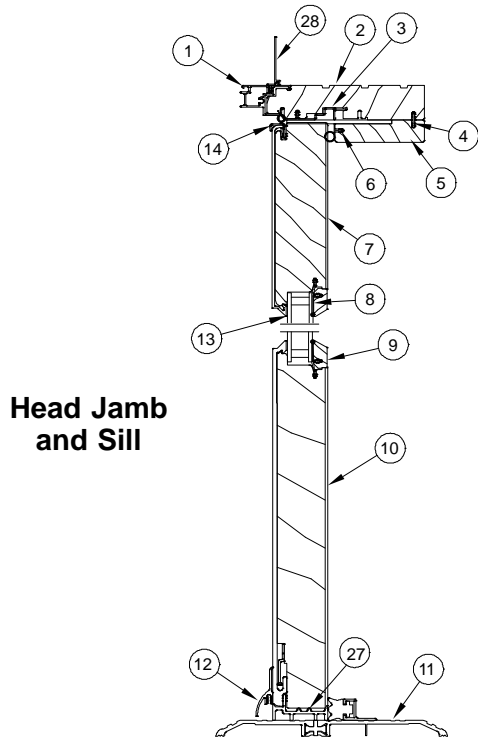
1. Head Jamb Cladding
2. Head Jamb
3. Head Jamb Weather Strip
4. Head Jamb Stop Connecting Barb
5. Head Jamb Stop
6. Head Jamb Stop Weather Strip
7. Top Rail
8. Glazing Bead
9. Glazing Cap
10. Bottom Rail
11. Sill
12. Panel Drip – A2408
13. Insulating Glass
14. Panel Cover Weather Strip
15. Jamb Nailing Fin
16. Jamb
17. 4 1/2" x 4 1/2" Ball Bearing Hinge
18. Stile Cladding
19. Locking Stile Cladding
20. Locking Stile Weather Strip
21. Jamb Stop Weather Strip
22. Connecting Barb
23. Jamb Stop
24. Jamb Weather Strip
25. Locking Stile
26. Stile
27. Top Rail Cladding
28. Bottom Rail Cladding
29. Head Jamb Nailing Fin/Drip Cap
30. Hinge Stile Weather Strip
31. Panel Weather Strip, V3020



Jamb XX

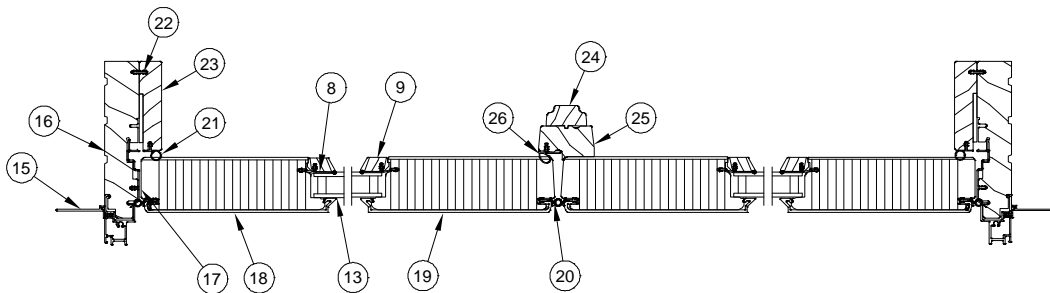
NOTE: Not to scale; specifications subject to change without notice.

**CLAD COMMERCIAL DOOR
 STATIONARY AND SIDELITE**

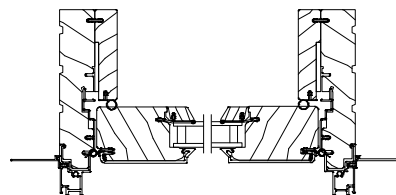


**Head Jamb
 and Sill**

1. Head Jamb Cladding
2. Head Jamb
3. Head Jamb Weather Strip
4. Head Jamb Stop Connecting Barb
5. Head Jamb Stop
6. Head Jamb Stop Weather Strip
7. Top Rail
8. Glazing Bead
9. Glazing Cap
10. Bottom Rail
11. Sill
12. Panel Drip – A2408
13. Insulating Glass
14. Panel Cover Weather Strip
15. Nailing Fin
16. Jamb
17. Panel Spacer Track
18. Stile Cladding
19. Locking Stile Cladding
20. Locking Stile Weather Strip
21. Jamb Stop Weather Strip
22. Connecting Barb
23. Jamb Stop
24. Astragal
25. Astragal Base
26. Astragal Weather Strip
27. Stationary Sweep
28. Head Jamb Nailing Fin/Drip Cap



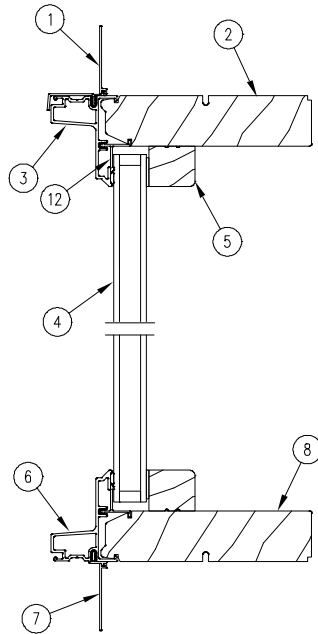
Stationary



Sidelite

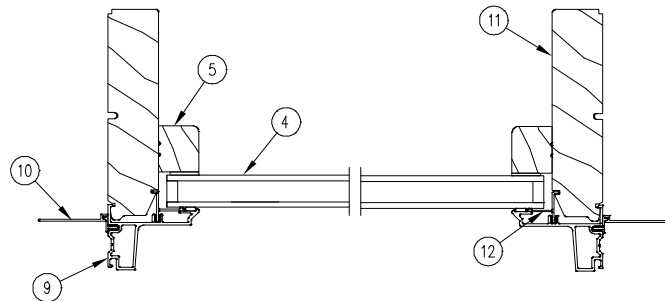
NOTE: Not to scale; specifications subject to change without notice.

**CLAD COMMERCIAL DOOR
DIRECT GLAZE TRANSOM**



- 1. Head Jamb Nail Fin/Drip Cap
- 2. Head Jamb
- 3. Head Jamb Cladding
- 4. Insulating Glass
- 5. Glazing Bead (W11751)
- 6. Sill Cladding
- 7. Sill Nailing Fin
- 8. Sill
- 9. Jamb Cladding
- 10. Jamb Nailing Fin
- 11. Jamb
- 12. Attachment Barb

**Head Jamb
and Sill**

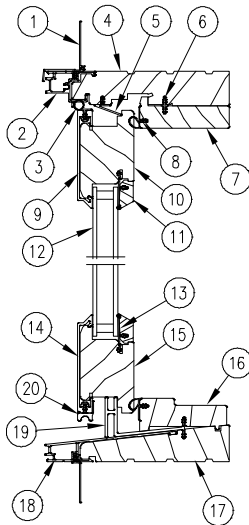


Jamb

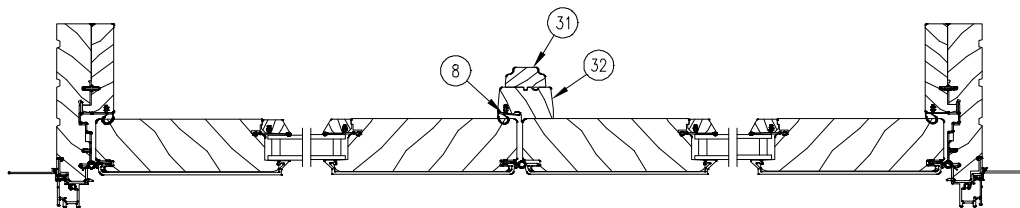
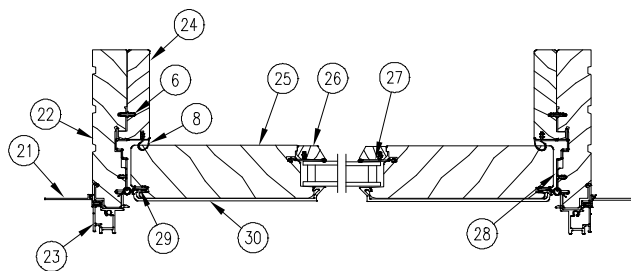
NOTE: Not to scale; specifications subject to change without notice.

**CLAD COMMERCIAL DOOR
 IN-SASH TRANSOM**

**Head Jamb
 and Sill**



1. Head Jamb Nail Fin/Drip Cap
2. Head Jamb Cladding
3. Top Rail Weather Strip
4. Head Jamb
5. Sash Retainer
6. Connecting Barb
7. Head Jamb Stop
8. Bulb Weather Strip
9. Top Rail Cladding
10. Top Rail
11. Rail Glazing Cap
12. Insulating Glass
13. Rail Glazing Bead
14. Bottom Rail Cladding
15. Bottom Rail
16. Sill Cover
17. Sill
18. Sill Cladding
19. Sill Leveling Block
20. Panel Drip
21. Jamb Nailing Fin
22. Jamb
23. Jamb Cladding
24. Jamb Stop
25. Stile
26. Stile Glazing Cap
27. Stile Glazing Bead
28. Frame Weather Strip
29. Stile Weather Strip
30. Stile Cladding
31. Astragal
32. Astragal Base

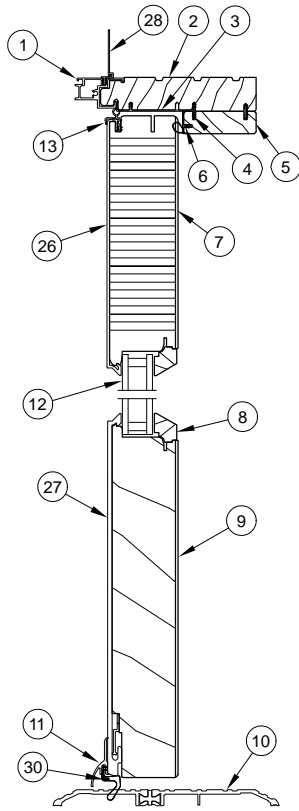


Jamb

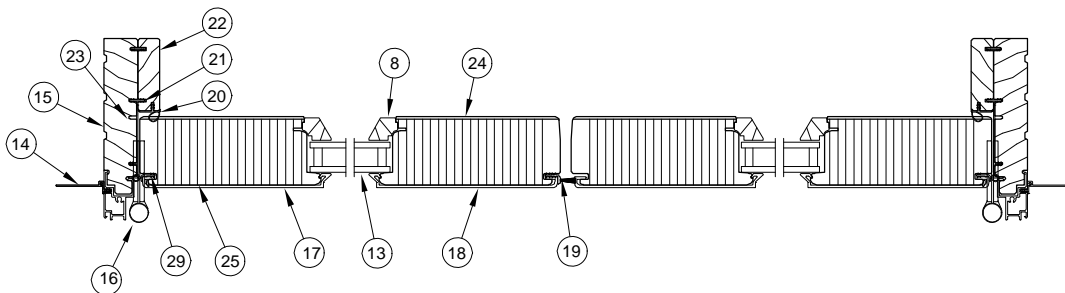
NOTE: Not to scale; specifications subject to change without notice.

**CLAD 2 1/4" COMMERCIAL DOOR
 XX RHRA**

**Head Jamb
 and Sill**



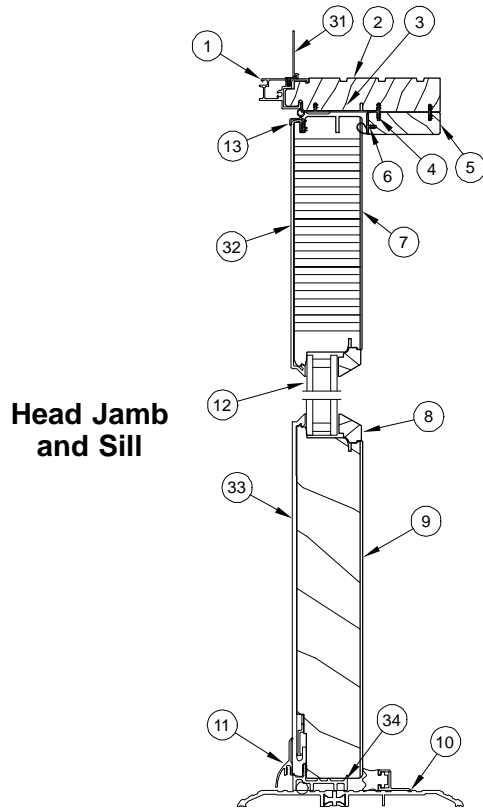
1. Head Jamb Cladding
2. Head Jamb
3. Head Jamb Weather Strip
4. Head Jamb Stop Connecting Barb
5. Head Jamb Stop
6. Head Jamb Stop Weather Strip
7. Top Rail
8. Glazing Bead
9. Bottom Rail
10. Sill
11. Panel Drip – A2408
12. Insulating Glass
13. Panel Cover Weather Strip
14. Jamb Nailing Fin
15. Jamb
16. 4 1/2" x 4 1/2" Ball Bearing Hinge
17. Stile Cladding
18. Locking Stile Cladding
19. Locking Stile Weather Strip
20. Jamb Stop Weather Strip
21. Connecting Barb
22. Jamb Stop
23. Jamb Weather Strip
24. Locking Stile
25. Stile
26. Top Rail Cladding
27. Bottom Rail Cladding
28. Head Jamb Nailing Fin/Drip Cap
29. Stile Weather Strip
30. Panel Weather Strip, V3020



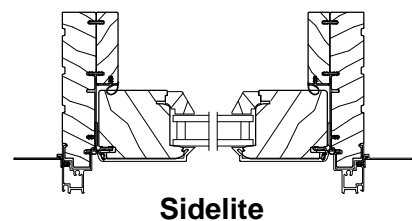
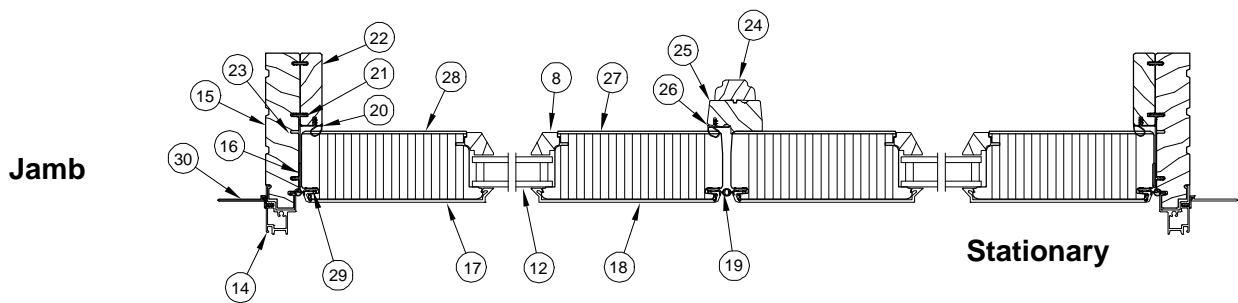
Jamb – XX

NOTE: Not to scale; specifications subject to change without notice.

**CLAD 2 1/4" COMMERCIAL DOOR
 STATIONARY AND SIDELITE**



1. Head Jamb Cladding
2. Head Jamb
3. Head Jamb Weather Strip
4. Head Jamb Stop Connecting Barb
5. Head Jamb Stop
6. Head Jamb Stop Weather Strip
7. Top Rail
8. Glazing Bead
9. Bottom Rail
10. Sill
11. Panel Drip – A2408
12. Insulating Glass
13. Panel Cover Weather Strip
14. Jamb Cladding
15. Jamb
16. Panel Spacer Track
17. Stile Cladding
18. Locking Stile Cladding
19. Locking Stile Weather Strip
20. Jamb Stop Weather Strip
21. Connecting Barb
22. Jamb Stop
23. Jamb Weather Strip
24. Astragal
25. Astragal Base
26. Astragal Weather Strip
27. Locking Stile
28. Stile
29. Stile Weather Strip
30. Jamb Nailing Fin
31. Head Jamb Nailing Fin
32. Top Rail Cladding
33. Bottom Rail Cladding
34. Stationary Sweep



NOTE: Not to scale; specifications subject to change without notice.

PARTS

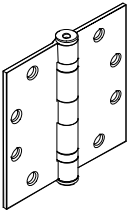

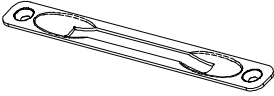
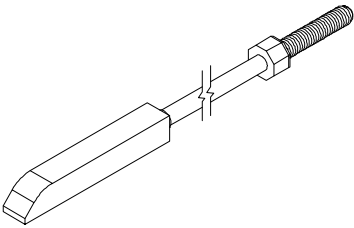
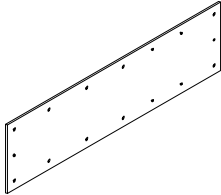
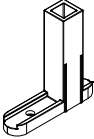
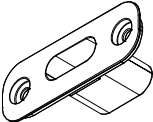


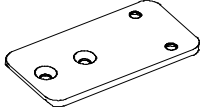
ILLUSTRATION NOT TO SCALE	DESCRIPTION	
	<p>Hinge, 4 1/2" X 4 1/2" Ball Bearing <i>Includes:</i> 1 – Hinge 6 – #12x1" Phillips flat head wood screws 2 – #12x2 1/2" Phillips flat head screws</p> <p>NOTE: Hinge color/part number includes the color matched screws. If you need to order the screws separately, they are listed below aligned with the corresponding hinge color.</p>	
SCREW DESCRIPTION	HINGE COLOR/PART NO.	SCREW COLOR/PART NO.
6 – #12x1" Phillips flat head wood screws (SC=US26D) (BZ=US10A) (BS=US3) (SS=US32D)	SS 02100162 SC brass 02101166 BZ brass 02101167 BS brass 02101165	SS 02056069 SS 02056069 DKBZ 02056010 BS 02056068
2 – #12x2 1/2" Phillips flat head screws (SC=US26D) (BZ=US10A) (BS=US3) (SS=US32D)	SS 02100162 SC brass 02101166 BZ brass 02101167 BS brass 02101165	SS 02010311 SS 02010311 DKBZ 02056067 BS 02010310

ILLUSTRATION NOT TO SCALE	DESCRIPTION	LENGTH/COLOR	PART NO.												
	Head or Foot Flush Bolt – Inactive Panel	BK	11101780												
	Cover Plate for Flush Bolt Includes: 1 – Cover plate 2 – #8 x 1" Screws (11800645)	ALUMINUM BS AB PVD	11860402 NA NA NA												
	Inactive Panel Locking Rod Assembly Top or Bottom Flush Bolt (XX) Includes: 1 – Locking rod with end bolt <table border="0" data-bbox="625 682 950 861"> <tr> <td>Height</td> <td>Top Locking Rod Length</td> </tr> <tr> <td>CN 7–0 ht</td> <td>11"</td> </tr> <tr> <td>CN 8–0 ht</td> <td>27"</td> </tr> <tr> <td>CN 9–0 ht</td> <td>34 1/4"</td> </tr> <tr> <td>CN 10–0 ht*</td> <td>51"</td> </tr> </table> <table border="0" data-bbox="763 892 966 976"> <tr> <td>Bottom Locking Rod Length</td> </tr> <tr> <td>11"</td> </tr> </table>	Height	Top Locking Rod Length	CN 7–0 ht	11"	CN 8–0 ht	27"	CN 9–0 ht	34 1/4"	CN 10–0 ht*	51"	Bottom Locking Rod Length	11"	SS SS	05700180 05700185 05700170 05700196 10815178
Height	Top Locking Rod Length														
CN 7–0 ht	11"														
CN 8–0 ht	27"														
CN 9–0 ht	34 1/4"														
CN 10–0 ht*	51"														
Bottom Locking Rod Length															
11"															
	Kick Plate Includes: 16 – #6 x 5/8" truss head SMS screws SS=US32D BZ=US10B BS=US4	3–0/ SS 3–0/ BS 3–0/ BZ 3–6/ SS 3–6/ BS 3–6/ BZ 4–0/ SS 4–0/ BS 4–0/ BZ	10148094 10148095 10148096 18900457 18900453 18900455 18900452 18900454 18900456												
	Shoot Bolt Guide Inactive Panels Includes: 1 – Shoot bolt guide (10815186) 1 – #8x1 1/2" Phillips panhead wood screw (11800766)		10815199												
	Strike Plate, Head Jamb Includes: 1 – Strike plate 2 – #8 x 1" Phillips trusshead wood screws head jamb) (11800815) 2 – #8x3" trusshead SS screw (11800832)	BG BZ	05700315 05700316												
	Head Jamb Spacer Tack; Stationary Panel		11860424												
	Jamb Spacer Tack; Stationary Panel 3/4" Diameter Head		11860423												
	Stationary Bracket For 1 3/4" Door Includes: 3 – #8 x 1" flat head screws (11800645)		11100212												

* 10–0 height available for 2 1/4" Commercial Door only.

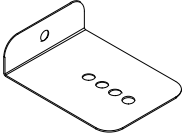
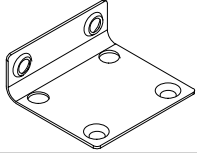
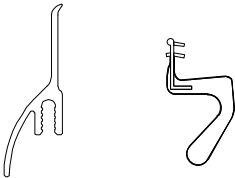
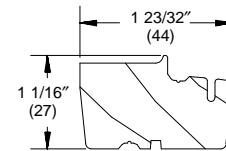
ILLUSTRATION NOT TO SCALE	DESCRIPTION	OPER./COLOR	PART NO.
	<p>Stationary Bottom Bracket For 1 3/4" and 2 1/4" Door Includes: 1 - #8 x 1 1/2" pan head screw (11865159) 1 - #6 x 1/4" pan head screw (02056061)</p>		02101168
	<p>Stationary Bracket, Jamb/Head Jamb For 2 1/4" Door Includes: 4 - #8 x 1" flat head screws (11800645) 2 - #7 x 3/4" flat head screws (11800760)</p>		02101169
	<p>Pkg, Panel Drip, Clad July 30, 2012 – Present Includes: A2408 Panel drip <i>NOTE: Panel drip will match clad color. Screws will match standard clad colors. For custom clad color, screws will be stainless steel.</i> V3020 Panel weather strip Foam tape #6 x 1/4" pan head screws</p>	<p>1-6 Bronze 3-0 Bronze</p>	<p>11100282 11100286</p>
	<p>Pkg, Panel Drip, Wood July 30, 2012 – Present Includes: A2408 Panel drip V3020 Panel weather strip #6 x 1 1/4" pan head screws</p>	<p>1-6 Beige Bronze Clear 3-0 Beige Bronze Clear 3-6 Beige Bronze Clear 4-0 Beige Bronze Clear</p>	<p>11100260 11100264 11100268 11100261 11100265 11100269 11100262 11100266 11100270 11100263 11100267 11100271</p>

ILLUSTRATION NOT TO SCALE	DESCRIPTION	OPER./COLOR	PART NO.
	Commercial Door Panel Sweep Pre-July 30, 2012	1-6 Mill Finish Dk Bronze	18451216 18451316
		3-0 Gold Mill Finish Dk Bronze	18451416 18450139 18450140
		3-6 Mill Finish Dk Bronze	18451430 18451236 18451336
		4-0 Gold Mill Finish Dk Bronze Gold	18451436 18451240 18451340 18451440
	Fastener, Panel Drip Pre-July 30, 2012 #6 x 1 1/4" Phillips PH screw	Mill Finish Dk Bronze Beige	02056064 02056065 02056070
	Gasket Stop Stationary Door 185"	Mill Finish Dk Bronze Gold	18450503 18450501 18450502
	Fastener, Gasket Stop #6 x 1/4" Phillips PH screw	Mill Finish Dk Bronze Brass	02056061 02056062 02056063

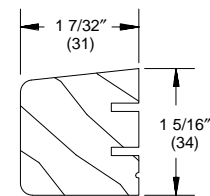
CURRENT REPLACEMENT PARTS

COMMERCIAL DOOR

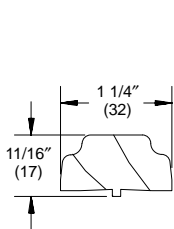
	Wood	Clad
First Mull Casing and Astragal	W1455	
Astragal Cover and Transom Mull Cover	W7554	
Sill Nosing – Transom	W12032	
Sill Nosing – Transom (total R.O. continuous casing)	W12031	
Sill Nosing – Transom (used prior to June 24, 2013)	W8653	
Head Jamb / Jamb Part Stop – Operator and In-Sash Transom	W6000	W6000
Head Jamb / Jamb Part Stop – 2 1/4" Door	W10401	W10401
Sill Cover – In-Sash Transom	W2136	W2136
Head Jamb / Jamb Part Stop – Stationary 1 3/4"	W9475	W9475
Head Jamb Stop – 2 1/4" Door (Use with Von Duprin 5547 Hardware Prep)	W10295	W10295



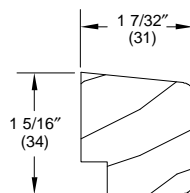
W1455



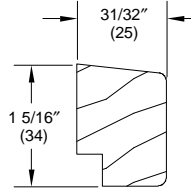
W8653
 Used prior to
 June 24, 2013



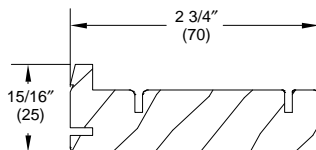
W7554



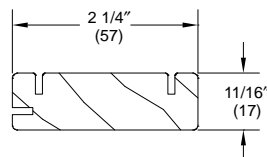
W12032



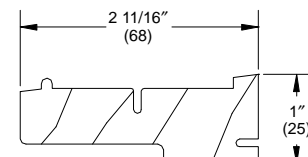
W12031



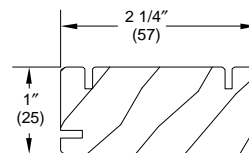
W6000



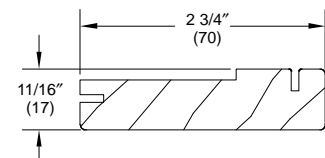
W10401



W2136



W12095



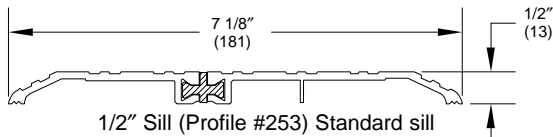
W9475

TO ORDER REPLACEMENT PARTS

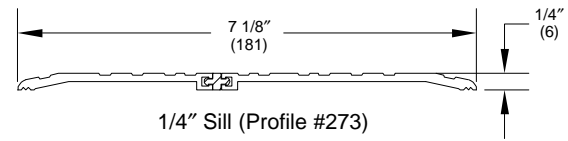
When ordering replacement wood parts specify:

1. profile number;
2. rough opening;
3. handing;
4. length;
5. finish.

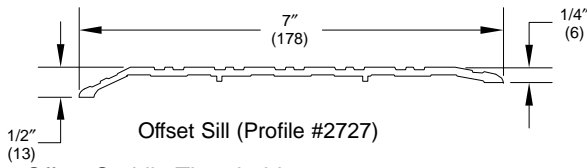
ORDERING REPLACEMENT PEMKO LOW PROFILE SILLS FOR THE COMMERCIAL DOOR AND 2 1/4" COMMERCIAL DOOR



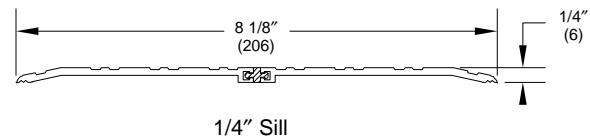
Pemko model 253X4AFG—Anodized Aluminum
 Options: 253X4DFG—Dark Bronze, 253X4GFG—Gold



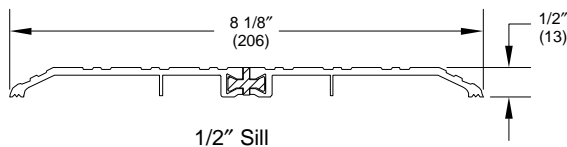
Thermal Barrier Threshold
 Pemko models: 273X4AFG, 273X4DFG, and 273X4GFG



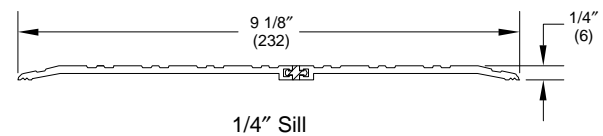
Offset Saddle Threshold
 Pemko models: 2727A, 2727D, and 2727G



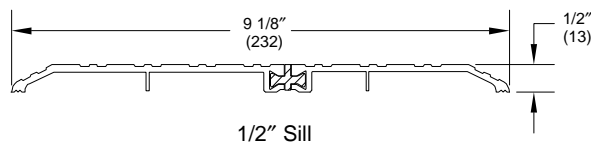
Pemko models: 274X4AFG, 274X4DFG, and 274X4GFG



Pemko models: 254X4AFG, 254X4DFG, and 254X4GFG



Pemko models: 274X6AFG, 274X6DFG, and 274X6GFG



Pemko models: 254X5AFG, 254X5DFG, and 254X5GFG

TO ORDER REPLACEMENT PEMKO LOW PROFILE SILLS

When ordering replacement sills, specify:

1. Model number, or 1/4", 1/2" x width, or offset;
2. wood, wood/clad, or steel frame;
3. rough opening;
4. length;
5. handing;
6. finish;
7. Foot bolt (where applicable).

THE FOLLOWING REPLACEMENT PARTS ARE TO BE ORDERED THROUGH OMS – CONFIGURED PARTS

When ordering replacement parts, specify:

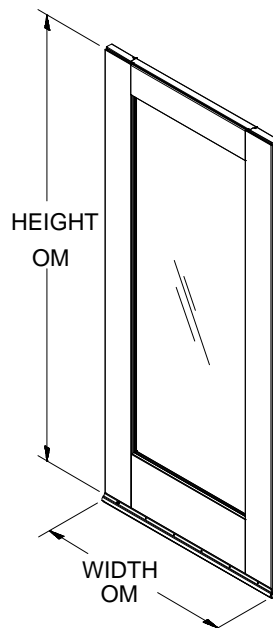
1. type of units;
2. description;
3. finish.

ILLUSTRATION NOT TO SCALE	DESCRIPTION	ILLUSTRATION NOT TO SCALE	DESCRIPTION
	Schlage L Series Mortise Lock w/06 Lever <i>"L" Escutcheon and Strike: Entrance (L9453)</i> Keyed Exterior Interior with Thumb Turn		Rim (Panic) Device, Lever Von Duprin 98 L (SC=US26D) (BZ=313AN) (BS=US3)
	Schlage L Series Mortise Lock w/06 Lever <i>"L" Escutcheon and Strike: Corridor</i> Keyed Exterior Interior with no Thumb Turn		Rim (Panic) Device, Exit Only Von Duprin 98 EO (SC=US26D) (BZ=313AN) (BS=US3)
	Dummy Trim Night Latch Von Duprin (98-990-NL) Rigid lever – key retracts latch bolt		Closer, 2 1/4" Door LCN4041 (AL=BHMA689) (BZ=BHMA695) (BS=BHMA696)
	Dummy Trim Von Duprin (98-990-DT) Rigid lever for pull operation		Closer, 1 3/4" Door LCN1461 (AL=BHMA689) (BZ=BHMA695) (BS=BHMA696)
	Lever Night Latch Von Duprin (98-996L-NL) Rigid lever – key retracts latch bolt		
	Lever, Dummy Trim Von Duprin (98-996L-DT) Rigid lever for pull operation		
	Removable Mullion Keyed (AL=SP28) (BZ=SP313)		
	Removable Mullion Non-Keyed (AL=SP28) (BZ=SP313)		

ORDERING REPLACEMENT PANELS FOR THE WOOD AND CLAD COMMERCIAL DOOR

To order replacement panels specify:

1. OM of panel;
NOTE: OM of panel does not include astragal or sweep.
2. Active or Stationary
 - a. Active – specify no lock, no bore or model of hardware to be applied.
 - b. Stationary – specify configuration and astragal (if applicable).
3. Handing;
4. Glazing;
5. Finish;
6. Route for hinges;
7. Intermediate Rail (if applicable).
8. Glazing Bead Profile
 - a. Bevel
 - b. Square



Wood or Clad Panel

NOTE: Weather strip is included with all panels (where applicable).

Active panels include panel sweep, no lock, no bore and/or specifications from list above.

Stationary 1 wide panels include panel sweep.

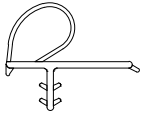
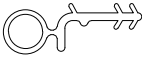

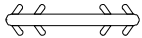


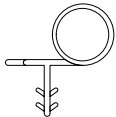
Stationary 2 wide panels include panel sweep and astragal.

When ordering Inactive panels with head flush bolts, if the panel being replaced was manufactured before 08/28/2016, and the panel height OM is greater than 95" (2413) but less than 113" (2870) order the appropriate Top Flushbolt Locking Rod Assembly.

WEATHER STRIP**COMMERCIAL DOOR**

When ordering replacement Weather Strip specify:

1. quantity;
2. length;
3. part number;
4. description.

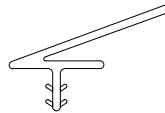
ILLUSTRATION NOT TO SCALE	DESCRIPTION	LENGTH	OPER./COLOR	PART NUMBER
	Offset Bulb Weather Strip, Parting Stop, Frame, Mull Casing, Transom and Astragal V796	41 1/4" 92 7/8" 92 7/8" 164 13/16" 188 7/8"	BG BG BK BG BK	15171136 15170082 15170083 15172140 15173398
	Weather Strip, Jamb Stile V020	79 9/16" 92 15/16" 150" 150"	BG BG BG BK	11197968 11197982 11197999 11197998
	Weather Strip, Frame V017 1 3/4" Door only	41 5/16" 80 5/8" 94 1/8" 164 7/8" 164 7/8"	BG BG BG BG BK	11197536 11198668 11198682 11197596 11197598
	Connecting Barb V803 NOTE: Color may vary depending on current stock.	Specify Length		15812999
	Weather Strip, Panel Cover V018	150" 150"	BG BK	11197799 11197798
	Weather Strip, Frame V1707 2 1/4" Commercial Door	120" 120"	BG BK	11191299 11191399
	Bulb Weather Strip, In-Sash Transom Top Rail V192	84" 192" 192"	BG BG BK	15900058 15900118 15900117

ORDERING REPLACEMENT VINYL OR ALUMINUM PARTS FOR THE COMMERCIAL DOOR

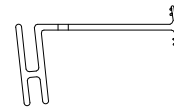
	Wood	Clad
Sash Retainer (In-Sash Transom) – Black	V026	V026
Sill Leveling Block (In-Sash Transom) – Beige or Black	V027	V027
Panel Drip (In-Sash Transom) – Beige or Black	V800	V800
Panel Drip (Active and Stationary Panels)	A2408	A2408
Panel Weather Strip (Active Panels)	V3020	V3020
Pile Weather Strip, Locking Stile – Black for X	V2363	V2363
Pile Weather Strip, Locking Stile – Black for XX	V2791	V2791
Sweep, Stationary (Stationary Panels) 3/8" (for use with 1/2" and offset sill) 5/8" (for use with 1/4" sill)	V779	V779



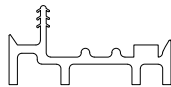
V800 – Panel Drip



V026 – Sash Retainer



V027 – Sill Leveling Block



V779 – Sweep, Stationary



A2408 – Panel Drip



V3020 – Panel Weather Strip



V2363 – Pile Weather Strip, Locking Stile



V2791 Weather Strip Pile

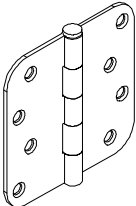
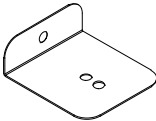
TO ORDER REPLACEMENT PARTS

When ordering replacement parts specify:

1. profile number;
2. rough opening;
3. length;
4. handing;
5. finish/color (where applicable).

OBSOLETE PARTS

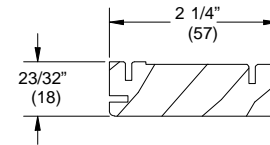
OBSOLETE PARTS

ILLUSTRATION NOT TO SCALE	DESCRIPTION	OPER./COLOR	PART NO.
	<p>Hinge, Ball Bearing <i>Outswing Light Commercial Door retired 2005</i></p>	<p>Solid Brass Satin Chrome</p>	<p>NA NA</p>
	<p>Stationary Bottom Bracket 1 3/4" Commercial Door Includes: 2 - #6 x 1/4" pan head screws 1 - #8 x 1 1/2" pan head screw</p>		<p>11100211</p>
	<p>Stationary Bracket For 1 3/4" Door Includes: 4 - #7 x 3/4" flat head screws (11800760)</p>		<p>11100209</p>

OBSOLETE REPLACEMENT PARTS

COMMERCIAL DOOR

	Wood	Clad
Head Jamb / Jamb Part Stop – 2 1/4" Door	W8986	W8986



W8986 – Head Jamb / Jamb Stop – 2 1/4" Door

TO ORDER OBSOLETE REPLACEMENT PARTS

When ordering replacement wood parts specify:

1. profile number;
2. rough opening;
3. handing;
4. length;
5. finish.

ORDERING REPLACEMENT PANELS FOR THE WOOD AND CLAD LIGHT COMMERCIAL PREP DOOR

Wood and Clad Outswing Light Commercial Prep Door 2000 – 2005

To order replacement panels specify:

1. Wood or Clad;
2. size (call number or OM of panel);
3. active, inactive or stationary;
 - a. specify bore or no bore
4. handing;
5. glazing;
6. finish.

ORDERING OBSOLETE WEATHER STRIP FOR THE COMMERCIAL DOOR

When ordering replacement weather Strip specify:

1. quantity;
2. length;
3. part number;
4. description.

ILLUSTRATION <i>NOT TO SCALE</i>	DESCRIPTION	LENGTH	OPER./COLOR	PART NUMBER
	Weather Strip, Frame V1296 2 1/4" Commercial Door	120" 120"	BG BK	11199120 11199121