

ARCHITECTURAL HARDWARE

TABLE OF CONTENTS

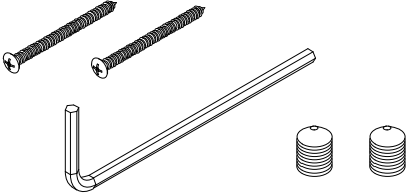
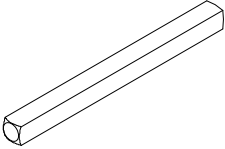
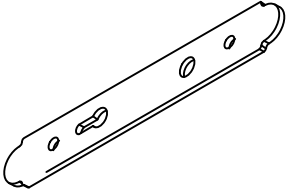
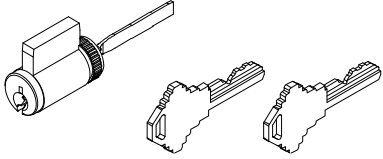
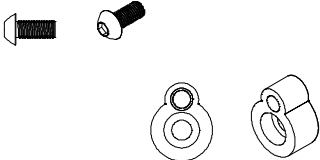
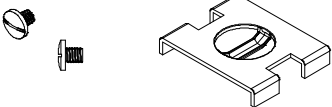
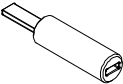
| | PAGE |
|-------------------------|-------------|
| Ashley Norton | 2 |
| Bouvet La Forge | 3 |
| Nobilus – Doors | 5 |
| Nobilus – Windows | 9 |
| Valli and Valli | 12 |
| Baldwin | 14 |

ATTENTION:

- Specification and technical data are subject to change without notice.
- Numbers listed in parentheses () are metric equivalents in millimeters rounded to the nearest whole number.

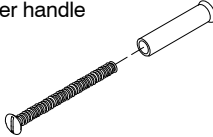

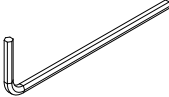
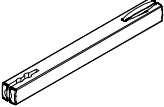
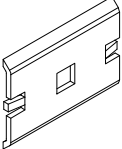
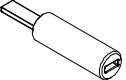
When ordering replacement parts specify:

1. profile number;
2. size – (call number or length);
3. finish.

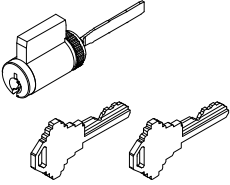
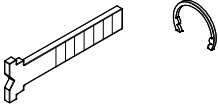
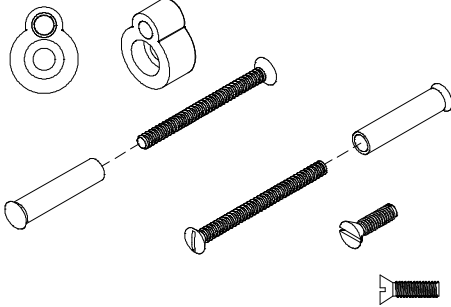
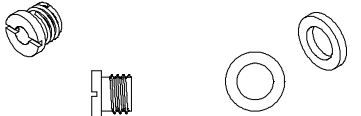
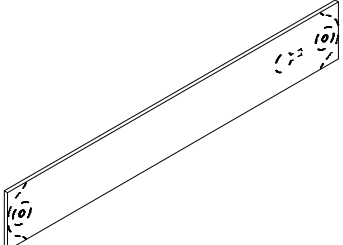
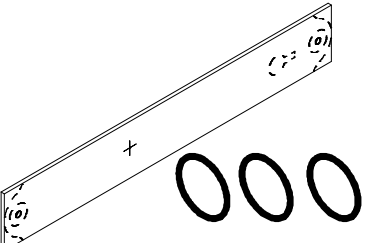
| ILLUSTRATION <i>NOT TO SCALE</i> | DESCRIPTION | Oper./ Color | PART NO. |
|---|--|---|---|
|  | <p>AN Thru Bolts, Door Kit <i>Includes:</i> 2-Set screws 2-Thru bolt 1-Allen wrench</p> <p>1 3/4" Door SN PVD / BS PVD – 60mm ORBZ / DKSBZ PVD – 55mm</p> <p>2 1/4" Door SN PVD / BS PVD – 70mm ORBZ / DKSBZ PVD – 65mm</p> | <p>SN PVD BS PVD ORBZ</p> <p>SN PVD BS PVD ORBZ</p> | <p>10150101 10150102 10150104</p> <p>10150181 10150182 10150183</p> |
|  | <p>AN 8mm Spindle</p> <p>1 3/4" Door 2 1/4" Door</p> | | <p>10150185 10150107</p> |
|  | <p>AN Escutcheon Plate Gasket</p> | <p>ARCH RECT SLIDING</p> | <p>10150108 10150110 10150186</p> |
|  | <p>AN Schlage C Cylinder Brass and Tail Piece</p> <p>1 3/4" Door (1 3/4" tail piece)</p> <p>2 1/4" Door (2 1/4" tail piece)</p> | | <p>10150109 10150187</p> |
|  | <p>AN Sliding French Dummy Handle Offset Cams (pair) <i>Includes:</i> 2 - Offset cams 2 - 1/2" Phillips Head screws</p> | | <p>10150184</p> |
|  | <p>AN SD Dummy Handle Adaptor Swinging French <i>No longer used after January 2007</i></p> | | <p>10150188</p> |
|  | <p>Tail Piece Adaptor – Interior Shades Sliding French Door</p> | | <p>11800171</p> |

When ordering replacement parts specify:

1. profile number;
2. size – (call number or length);
3. finish.

| ILLUSTRATION NOT TO SCALE | DESCRIPTION | Oper./ Color | PART NO. |
|---|--|--|--------------------------|
|  <p>Order 2 per handle</p> | <p>BVT Sexbolt (Non-Slotted Female) (exterior and interior) for 1 3/4" door EP (12) (9671.30.12) Exterior 25mm Interior 45mm</p> | European Pewter | 10150111 |
| | <p>BVT Sexbolt (Non-Slotted Female) (exterior and interior) for 1 3/4" door SB (07) (9671.30.07) Exterior 25mm Interior 45mm</p> | Satin Black | 10150112 |
| | <p>BVT Sexbolt (Non-Slotted Female) (exterior 25mm and interior 60mm) For 2 1/4" door EP (12) (9581.60.12) SB (07) (9581.60.07)</p> | European Pewter Satin Black | 10150189 10150190 |
|  | <p>BVT Set Screw No FIN (9696.00.00)</p> | | 10150113 |
|  | <p>BVT Allen Wrench (9597.00.00)</p> | | 10150114 |
|  | <p>BVT Straight Spindle For 1 3/4" Door Spindle length 90mm (9696.70.00)</p> | | 10150115 |
| | <p>BVT 8mm Spindle For 2 1/4" Door Spindle Length: 110mm (9696.10.00)</p> | | 10150193 |
|  | <p>BVT Full Dummy Mount 8mm (9693.08.00)</p> | | 10150116 |
|  | <p>Tail Piece Adaptor – Interior Shades Sliding French Door</p> | | 11800171 |

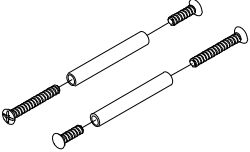
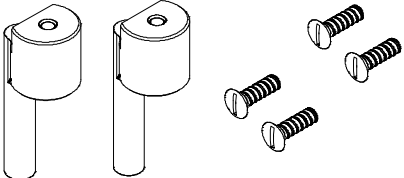
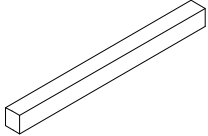
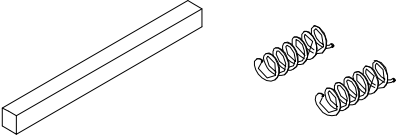
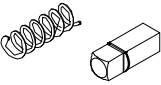
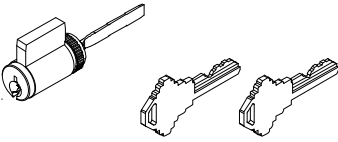
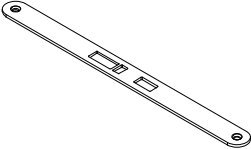
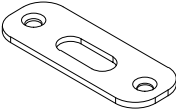
PARTS

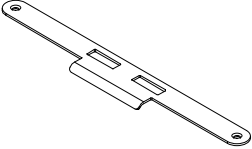
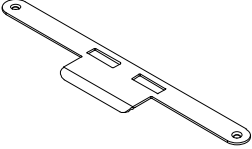
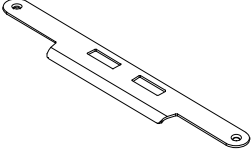
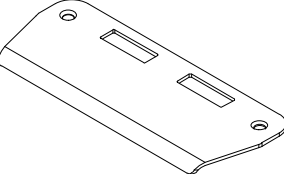
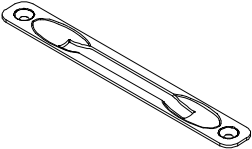
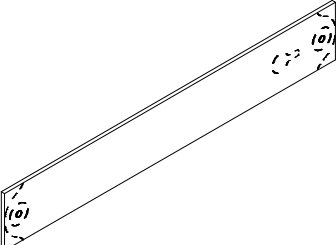
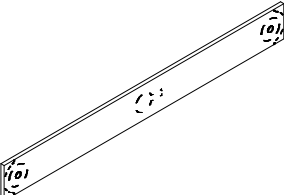
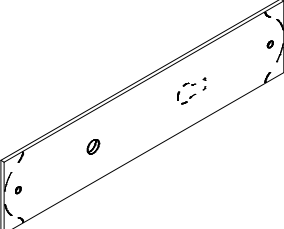
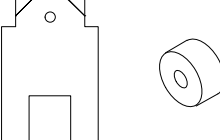
| ILLUSTRATION NOT TO SCALE | DESCRIPTION | Oper./ Color | PART NO. |
|---|---|---|---------------------------------|
|  | <p>BVT Schlage C Cylinder with Tail Piece and 2 Keys</p> <p>Item 73070300 1 3/4" Door (31mm tail piece)</p> <p>Item 73080300 2 1/4" Door (43mm tail piece)</p> | <p>SC</p> <p>SC</p> | <p>10150118</p> <p>10150195</p> |
|  | <p>BVT Tail Piece and Retaining Clip for Active Panel Non-Keyed</p> <p>25mm, 7302.03.00 1 3/4" Door</p> <p>30mm, 7303.03.00 2 1/4" Door</p> | | <p>10150119</p> <p>10150196</p> |
|  | <p>BVT Sliding French Door Dummy Handle Offset Cams Kit</p> <p><i>Includes:</i></p> <ul style="list-style-type: none"> 2 - Offset cams 2 - 15mm slotted screws 2 - 45mm slotted screws 2 - Non-slotted female bolts | <p>European Pewter</p> <p>Satin Black</p> | <p>10150191</p> <p>10150192</p> |
|  | <p>BVT Sliding French Door Pull Mounting Fasteners and Gaskets (pair)</p> | | <p>10150197</p> |
|  | <p>BVT Sliding French Door Escutcheon Gasket</p> | | <p>10150194</p> |
|  | <p>BVT Swinging French Escutcheon Gasket Assembly</p> | | <p>10150117</p> |

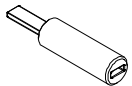
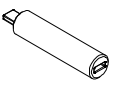
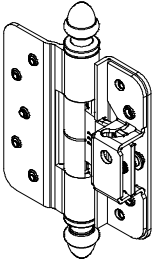
PARTS

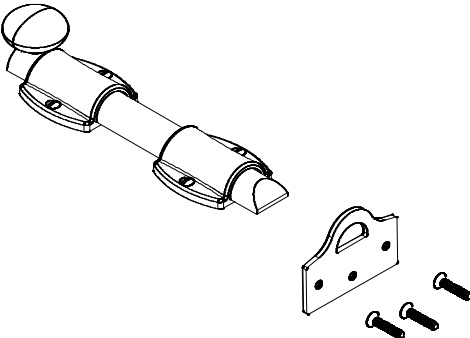
When ordering replacement parts specify:

1. profile number;
2. size – (call number or length);
3. finish.

| ILLUSTRATION <i>NOT TO SCALE</i> | DESCRIPTION | Oper./ Color | PART NO. |
|---|---|---|--|
|  | NBLS Thru-Bolt Kit, 1 3/4" Door Configuration B Set interior slotted and exterior plate screws and stand off Exterior screw 5/8", Interior screw 1 1/4", Stand off 1 1/4" | Fin #70 Fin #71 Fin #72 Fin #82 Fin #80 | 10150121 10150122 10150123 10150124 10150229 |
| | NBLS Thru-Bolt Kit, 2 1/4" Door Configuration C Exterior 5/8" screw, 1 1/4" interior screw, 1 3/4" length stand off | Fin #70 Fin #71 Fin #72 Fin #82 Fin #80 | 10150212 10150213 10150214 10150215 10150230 |
|  | NBLS Thru-Bolt Kit for Dummy Handle 06F Function, Sliding Doors <i>Includes:</i> 4 – 5/8" screws 2 – Offset Cam | Fin #70 Fin #71 Fin #72 Fin #82 Fin #80 | 10150216 10150217 10150218 10150219 10150231 |
|  | NBLS 8mm Thru Spindle For 1 3/4" Door Spindle length 3 1/4" | | 10150125 |
|  | NBLS 8mm Thru Spindle Assembly For 2 1/4" Door <i>Includes:</i> 1 – 3 1/4" spindle 2 – Springs | | 10150220 |
|  | NBLS 8mm Half Spindle Kit with E-clip and Spring for Inactive Multi-Point 1 3/4" Spindle = 1 5/16" 1 3/4" Door | | 10150126 |
| | 2 1/4" Spindle = 1 13/16" 2 1/4" Door | | 10150100 |
|  | NBLS Schlage C Cylinder with Tail Piece and 2 Keys (P01700) 1 3/4" Door (1 3/8" tail piece) | | 10150128 |
| | 2 1/4" Door (1 7/8" tail piece) | | 10150224 |
|  | NBLS Face Plate and Screws (WFP10) | Fin #70 Fin #71 Fin #72 Fin #82 Fin #80 | 10150129 10150130 10150131 10150132 10150232 |
|  | NBLS Inswing Head and Sill Strike and Screws (WIHS10) | Fin #70 Fin #71 Fin #72 Fin #82 Fin #80 | 10150133 10150134 10150135 10150136 10150233 |

| ILLUSTRATION <i>NOT TO SCALE</i> | DESCRIPTION | Oper./ Color | PART NO. |
|---|--|---|--|
|  | NBLS Inswing Panel Strike and Screws (WIPS10) | Fin #70 Fin #71 Fin #72 Fin #82 Fin #80 | 10150137 10150138 10150139 10150140 10150234 |
|  | NBLS Inswing Jamb Strike and Screws (WIJS10) | Fin #70 Fin #71 Fin #72 Fin #82 Fin #80 | 10150141 10150142 10150143 10150144 10150235 |
|  | NBLS Outswing Panel Strike and Screws (WOPS10) | Fin #70 Fin #71 Fin #72 Fin #82 Fin #80 | 10150145 10150146 10150147 10150148 10150236 |
|  | NBLS Outswing Jamb Strike and Screws (WOJS10) | Fin #70 Fin #71 Fin #72 Fin #82 Fin #80 | 10150149 10150150 10150151 10150152 10150237 |
|  | NBLS Flush Bolt Cover (WFBC10) | Fin #70 Fin #71 Fin #72 Fin #82 Fin #80 | 10150153 10150154 10150155 10150156 10150238 |
|  | NBLS Escutcheon Plate Gasket, Sliding French | | 10150221 |
|  | NBLS Escutcheon Plate Gasket, Sliding Patio | | 10150222 |
|  | NBLS Escutcheon Plate Gasket, Swinging French, 2.5" | | 10150223 |
|  | NBLS Escutcheon Gasket Assembly For 2" Escutcheon | | 10150127 |


| ILLUSTRATION <i>NOT TO SCALE</i> | DESCRIPTION | Oper./ Color | PART NO. |
|---|--|--|--|
|  | Tail Piece Adaptor – Interior Shades Sliding French Door | | 11800171 |
|  | Tail Piece Adaptor, Nobilus – Interior Shades Sliding Patio Door | | 10148097 |
|  | NBLS Adjustable Hinge, Acorn Tip 1 3/4" Swinging French Doors MHA4237.AT <i>Includes:</i> 9 – #10 x 1" fasteners 1 – #10 x 2 1/2" fastener | LH Fin #70 Fin #71 Fin #72 Fin #80 Fin #82 RH Fin #70 Fin #71 Fin #72 Fin #80 Fin #82 | 02102157 02102158 02102159 02102160 02102161 02102307 02102308 02102309 02102310 02102311 |

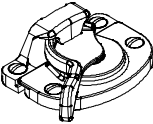
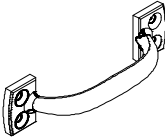
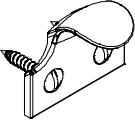
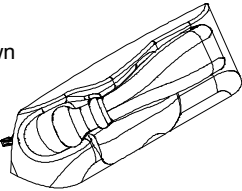
| ILLUSTRATION <i>NOT TO SCALE</i> | DESCRIPTION | Oper./ Color | PART NO. |
|---|---|--|---|
|  | <p>NBL Surface Bolt</p> <p>Optional, decorative and functional Head Jamb and/or Foot Bolt</p> <p>Various lengths: SB10-24 = 24" SB10-18 = 18" SB10-12 = 12" SB10-8 = 8"</p> | <p>24"</p> <p>Fin #70 Fin #71 Fin #72 Fin #80 Fin #82</p> <p>18"</p> <p>Fin #70 Fin #71 Fin #72 Fin #80 Fin #82</p> <p>12"</p> <p>Fin #70 Fin #71 Fin #72 Fin #80 Fin #82</p> <p>8"</p> <p>Fin #70 Fin #71 Fin #72 Fin #80 Fin #82</p> | <p>02102167 02102168 02102169 02102170 02102171</p> <p>02102172 02102173 02102174 02102175 02102176</p> <p>02102177 02102178 02102179 02102180 02102181</p> <p>02102182 02102183 02102184 02102185 02102186</p> |

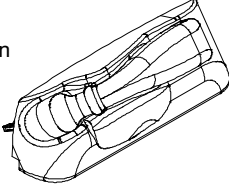
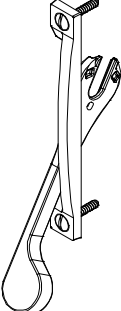
PARTS

When ordering replacement parts specify:

1. profile number;
2. size – (call number or length);
3. finish.


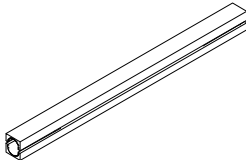
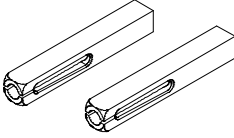
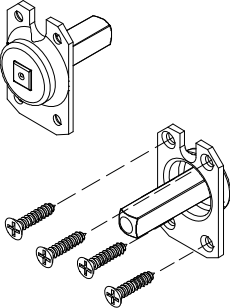
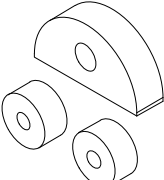
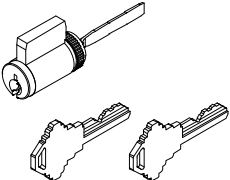
| ILLUSTRATION <i>NOT TO SCALE</i> | DESCRIPTION | Oper./ Color | PART NO. |
|---|--|--|--|
|  | #8 x 1" Oval Head Wood Screw (P00210) | Fin #70 Fin #71 Fin #72 Fin #82 | 10150225 10150226 10150227 10150228 |

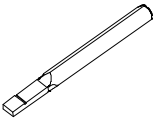
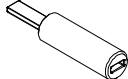
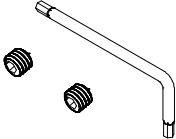
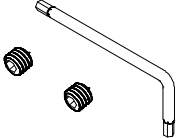
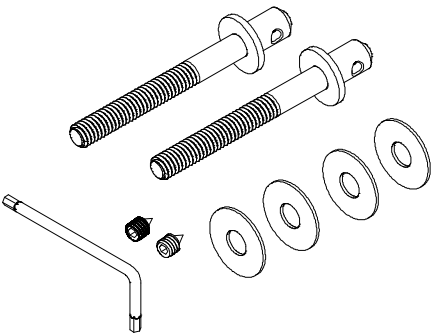
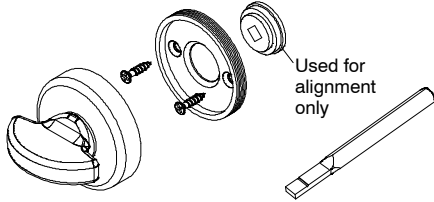
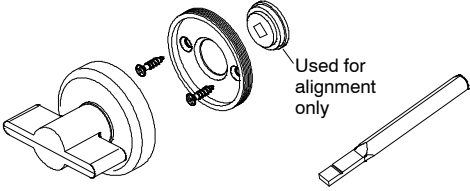
| ILLUSTRATION <i>NOT TO SCALE</i> | DESCRIPTION | Oper./ Color | PART NO. |
|--|---|---|--|
|  | <p>NBLS Lock, Keeper, Screws Ultimate Double Hung Magnum WD130</p> | Fin #70 Fin #71 Fin #72 Fin #80 Fin #82 | 11900043 11900044 11900045 11900049 11900046 |
|  | <p>NBLS Sash Lift 4.25\" WSL10</p> | Fin #70 Fin #71 Fin #72 Fin #80 Fin #82 | 11900050 11900051 11900052 11900054 11900053 |
|  | <p>NBLS Sash Lift, Finger WSL20</p> | Fin #70 Fin #71 Fin #72 Fin #80 Fin #82 | 11900057 11900058 11900059 11900061 11900060 |
| <p>LH shown</p>  | <p>NBLS Folding Handle/Cover Ultimate Casement WC140L (LH) and WC140R (RH) Note: Awnings require LH handles and covers</p> <p>Casement operators under 20" frame width use a dyad operator which requires an opposite handed cover. (Order a RH part number for a LH operator and vice versa).</p> | <p>LH Fin #70 Fin #71 Fin #72 Fin #80 Fin #82</p> <p>RH Fin #70 Fin #71 Fin #72 Fin #80 Fin #82</p> | 11900078 11900080 11900082 11900086 11900084 11900079 11900081 11900083 11900087 11900085 |

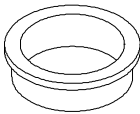
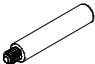

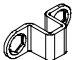

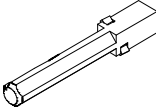
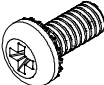
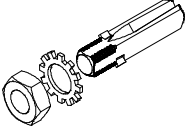
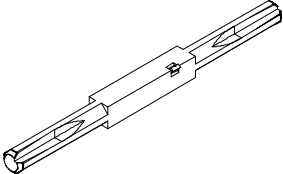
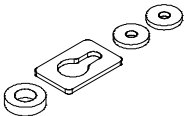
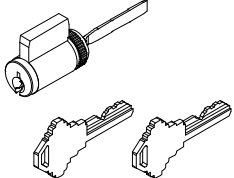
| ILLUSTRATION <i>NOT TO SCALE</i> | DESCRIPTION | Oper./ Color | PART NO. |
|---|--|---|---|
| <p>LH shown</p>  | <p>NBLS Folding Handle/Cover Ultimate Replacement Casement WC141L (LH) and WC141R (RH)</p> | <p>LH Fin #70 Fin #71 Fin #72 Fin #80 Fin #82</p> <p>RH Fin #70 Fin #71 Fin #72 Fin #80 Fin #82</p> | <p>11900090 11900092 11900094 11900098 11900096</p> <p>11900091 11900093 11900095 11900099 11900097</p> |
|  | <p>NBLS Concealed Multi-Point Lock/Lever Ultimate Casement, Ultimate Replacement Casement WL180 Use special care when installing and removing</p> | <p>Fin #70 Fin #71 Fin #72 Fin #80 Fin #82</p> | <p>11900103 11900104 11900105 11900107 11900106</p> |

When ordering replacement parts specify:

1. profile number;
2. size – (call number or length);
3. finish.

| ILLUSTRATION <i>NOT TO SCALE</i> | DESCRIPTION | Color | PART NO. |
|---|--|----------------|--|
|  | VV Thru Bolt Set for Long Escutcheon 1 3/4" Door (40 mm) (X17 – Screws, ET/EP) | SN BS SS | 10150161 10150162 10150163 |
| | VV Thru Bolt Set for 2 1/4" Door (70mm) | SN BS SS | 10150198 10150199 10150200 |
|  | Spindle Kit For Valli & Valli Door <i>Includes:</i> 1 – 2 piece spindle 2 – Set screws (X0204) Set Screws (X0482 – SS) | zinc SS | 18900392 18900393 |
|  | VV 8mm Two Pieced Torqued Spindle (Pair) (1 3/4" Door – X0160– 2 1/4" Length) (2 1/4" Door – X0162– 2 7/8" Length) | | 1 3/4" Door 2 1/4" Door 10150201 10150202 |
|  | VV 8mm, Surface Mounted Dummy and Screws NEP 1 1/2" Escutcheon (X262) | | 10150166 |
| | VV 8mm, Surface Mounted Dummy and Screws NES 2" Escutcheon (X014) | | 10150165 |
|  | VV Escutcheon Plate Gasket – 1 1/2" Escutcheon NEP (X0348, 2–X0349) – 2" Escutcheon NES (X0347, 2–X0349) | 1 1/2" | 10150171 |
| | | 2" | 10150172 |
|  | VV Schlage C Keyed Cylinder with Tail Piece – BS (C07 – Key/Knob 03D) – SN/SS (C07 – Key/Knob 26D) | | 1 3/4" Door (2" length tailpiece) 2 1/4" Door (2 1/2" length tailpiece) BS SN/SS 10150173 10150174 BS SN/SS 10150203 10150204 |

| ILLUSTRATION <i>NOT TO SCALE</i> | DESCRIPTION | Oper./ Color | PART NO. |
|---|---|----------------------|------------------------------|
|  | <p>VV Non-Keyed Tail Piece 1 3/4" and 2 1/4" Doors X1118</p> <p style="text-align: right;">1 3/4" - 55mm 2 1/4" - 85mm</p> | | <p>10150205 02100348</p> |
|  | <p>Tail Piece Adaptor - Interior Shades Sliding French Door</p> | | <p>11800171</p> |
|  | <p>VV 9mm Length Set Screws and Allen Wrench (for lever set M6 thread) (X0223/X0252, 9mm used with H5008, H5015, H321, and H330 lever)</p> | <p>BS SS</p> | <p>10150168 10150167</p> |
|  | <p>VV 6mm Length Set Screws and Allen Wrench (for lever set M6 thread) (X0203/X0204, 6mm used with H192, H1003 lever, SS Thumbturn)</p> | <p>BS SS</p> | <p>10150169 10150206</p> |
|  | <p>VV Back-to-Back Pull Bolt Assy (X0504) 3 5/16" (83mm) length for K354M, K350M <i>Includes:</i> 4 - Small gaskets 2 - Set screws 1 - Allen wrench</p> | <p>BS and SN</p> | <p>10150207</p> |
| | <p>VV Back-to-Back Pull Bolt Assy (X0509) 3 1/2" (88mm) length for P5405M <i>Includes:</i> 4 - Small gaskets 2 - Set screws 1 - Allen wrench</p> | <p>SS</p> | <p>10150208</p> |
|  | <p>VV Thumb Turn Assembly (105 RSP L/E M), Sliding French <i>Includes:</i> 1 - X1118/X0587 tail piece threaded brass under rosette 2 - 1/2" screws 1 - Nylon washer (used for alignment only) 1 - 9mm set screws</p> | <p>BS SN</p> | <p>10150209 10150210</p> |
|  | <p>VV Thumb Turn Assembly (105 RSS L/E M), Sliding French <i>Includes:</i> 1 - X1118/X0587 tail piece threaded brass under rosette 2 - 1/2" screws 1 - Nylon washer (used for alignment only) 1 - 9mm set screws</p> | <p>SS</p> | <p>10150211</p> |

| ILLUSTRATION <i>NOT TO SCALE</i> | DESCRIPTION | Color | PART NO. |
|--|---|---------------------------------------|--|
|  | BDW Press-In Bushing for Lever 2192.849.00005 2193.849.00005 | BK WH | 02102333 02102334 |
|  | BDW Threaded Screw Post (.250) 6502.028.00195 | | 02102335 |
|  | BDW Interior #8-32 x 1 3/4" Ovalhead Machine Screw, Thru-bolt | VBZ ORBZ AN SN PVD BS PVD | 02102337 02102338 02102339 02102340 02102336 |
|  | BDW Cylinder Bracket 11202.028.00005 | | 02102341 |
|  | BDW Lever Set Screw 1327.013.00009 | | 02102343 |
|  | BDW Half Active Spindle 0535.028.00015 Inactive Panel Multi-Point (interior lever) | | 02102344 |
|  | BDW #12 Screw for Half Active Spindle 1150.028.00009 Inactive Panel Multi-Point (interior lever) | | 02102345 |
|  | BDW Fastener Packet 5903.000.05105 Full dummy function. Inactive Multi-Point (Exterior) <i>Includes:</i> 1 – Half inactive spindle 1 – Lockwasher for half inactive spindle 1 – Hexnut for half inactive spindle | | 02102346 |
|  | BDW Active Spindle for 4.5" 0504.028.00015 1 3/4" and 2 1/4" Doors | | 02102347 |
|  | BDW Gasket Packet 5914.000.05102 <i>Includes:</i> 1 – Gasket for threaded post 1 – Gasket for spindle 1 – Gasket for key cylinder | | 02102348 |
|  | BDW Schlage C Cylinder and Tailpiece For 1 3/4 and 2 1/4 Doors | BS SC | 02102395 02102396 |