

# Wood Ultimate Push Out French Casement

- Unit Features..... 1
- Egress and Vent Openings ..... 2
- Daylight Measurements..... 3
- Minimum and Maximum Guidelines, Certified Sizes and Rating..... 4
- Conversion Tables ..... 5
- Standard Unit Measurements..... 6
- Section Details: 3/4" IG Operator ..... 7
- Section Details: 3/4" IG Stationary ..... 8
- Section Details: 1" IG Operator ..... 9
- Section Details: 1" IG Stationary ..... 10
- Section Details: 3/4" IG and 1" IG Operator/Stationary Wide Bottom Rail Option ..... 11



## Wood Ultimate Push Out French Casement

### Unit Features

Wood Ultimate Push Out French Casement: WUPFCA

Wood Ultimate Push Out French Casement units feature two (2) sashes, that when open there is no mull post in the middle. (LH-Primary sash from exterior) (RH-Secondary sash from exterior)

#### WUPFCA Hardware

- The primary sash includes a multi-point lock system with head and sill shoot bolts mounted flush to the side of the sash stile.
- The secondary sash includes a lock system with head and sill shoot bolts mounted flush to the side of the sash stile.
- The primary and secondary sash shoot bolts engage with a strike plate which is surface mounted to the head and sill.
- The lock system for both primary and secondary sash is each actuated by a single lock handle mounted on the interior face of the stile.
- The Push Out actuator lock is available in Brass (plated), Antique Brass (plated), and Satin Nickel (plated).
- The Push Out model features a robust adjustable friction limiter device to hold and lock the sash at multiple points.
- The hinges for CUPFCA are connected to the sill and to the head jamb and are coated with E-Guard®. The hinges on 36" (914) wide to under 40" (1016) do not feature the wash/egress option, and use a 10" Dyad Hinge. Units that are 40" (1016) to under 51" (1295) use an 18" wash/egress hinge and units that are 51" (1295) to under 60" (1524) use a 22" wash/egress hinge. Coastal packages (stainless steel hinges) are also available.
- The standard crank handles are folding handles. The standard finish is Oil Rubbed Bronze with options for Satin Nickel, Brass and Antique Brass.

Egress and Vent Openings

CN	Clear Opening Width		Clear Opening Height		Egress Opening			Opening Vent Width		Opening Vent Height		Vent Opening	
	ft - in	mm	ft - in	mm	ft <sup>2</sup>	m <sup>2</sup>	E	ft - in	mm	ft - in	mm	ft <sup>2</sup>	m <sup>2</sup>
3632	1-8 7/8	(530)	2-3 5/64	(688)	3.93	(0.36)		2-8 15/16	(837)	2-3 5/64	(688)	6.19	(0.58)
3636	1-8 7/8	(530)	2-7 5/64	(789)	4.51	(0.42)		2-8 15/16	(837)	2-7 5/64	(789)	7.11	(0.66)
3640	1-8 7/8	(530)	2-11 5/64	(891)	5.09	(0.47)		2-8 15/16	(837)	2-11 5/64	(891)	8.02	(0.75)
3644	1-8 7/8	(530)	3-3 5/64	(993)	5.67	(0.53)		2-8 15/16	(837)	3-3 5/64	(993)	8.94	(0.83)
3648	1-8 7/8	(530)	3-7 5/64	(1094)	6.25	(0.58)	E	2-8 15/16	(837)	3-7 5/64	(1094)	9.85	(0.92)
3654	1-8 7/8	(530)	4-1 5/64	(1247)	7.12	(0.66)	E	2-8 15/16	(837)	4-1 5/64	(1247)	11.23	(1.04)
3656	1-8 7/8	(530)	4-3 5/64	(1297)	7.41	(0.69)	E	2-8 15/16	(837)	4-3 5/64	(1297)	11.68	(1.09)
3660	1-8 7/8	(530)	4-7 5/64	(1399)	7.99	(0.74)	E	2-8 15/16	(837)	4-7 5/64	(1399)	12.60	(1.17)
3664	1-8 7/8	(530)	4-11 5/64	(1501)	8.57	(0.80)	E	2-8 15/16	(837)	4-11 5/64	(1501)	13.51	(1.26)
3672 T	1-8 7/8	(530)	5-7 5/64	(1704)	9.73	(0.90)	E	2-8 15/16	(837)	5-7 5/64	(1704)	15.34	(1.43)
4032	2-5 27/32	(758)	2-3 5/64	(688)	5.61	(0.52)		3-0 15/16	(938)	2-3 5/64	(688)	6.95	(0.65)
4036	2-5 27/32	(758)	2-7 5/64	(789)	6.44	(0.60)	E	3-0 15/16	(938)	2-7 5/64	(789)	7.97	(0.74)
4040	2-5 27/32	(758)	2-11 5/64	(891)	7.27	(0.68)	E	3-0 15/16	(938)	2-11 5/64	(891)	9.00	(0.84)
4044	2-5 27/32	(758)	3-3 5/64	(993)	8.10	(0.75)	E	3-0 15/16	(938)	3-3 5/64	(993)	10.02	(0.93)
4048	2-5 27/32	(758)	3-7 5/64	(1094)	8.93	(0.83)	E	3-0 15/16	(938)	3-7 5/64	(1094)	11.05	(1.03)
4054	2-5 27/32	(758)	4-1 5/64	(1247)	10.17	(0.95)	E	3-0 15/16	(938)	4-1 5/64	(1247)	12.59	(1.17)
4056	2-5 27/32	(758)	4-3 5/64	(1297)	10.59	(0.98)	E	3-0 15/16	(938)	4-3 5/64	(1297)	13.10	(1.22)
4060	2-5 27/32	(758)	4-7 5/64	(1399)	11.42	(1.06)	E	3-0 15/16	(938)	4-7 5/64	(1399)	14.13	(1.31)
4064	2-5 27/32	(758)	4-11 5/64	(1501)	12.25	(1.14)	E	3-0 15/16	(938)	4-11 5/64	(1501)	15.15	(1.41)
4072 T	2-5 27/32	(758)	5-7 5/64	(1704)	13.90	(1.29)	E	3-0 15/16	(938)	5-7 5/64	(1704)	17.21	(1.60)
4832	3-1 27/32	(961)	2-3 5/64	(688)	7.12	(0.66)	E	3-8 15/16	(1141)	2-3 5/64	(688)	8.45	(0.79)
4836	3-1 27/32	(961)	2-7 5/64	(789)	8.17	(0.76)	E	3-8 15/16	(1141)	2-7 5/64	(789)	9.70	(0.90)
4840	3-1 27/32	(961)	2-11 5/64	(891)	9.22	(0.86)	E	3-8 15/16	(1141)	2-11 5/64	(891)	10.95	(1.02)
4844	3-1 27/32	(961)	3-3 5/64	(993)	10.27	(0.95)	E	3-8 15/16	(1141)	3-3 5/64	(993)	12.20	(1.13)
4848	3-1 27/32	(961)	3-7 5/64	(1094)	11.32	(1.05)	E	3-8 15/16	(1141)	3-7 5/64	(1094)	13.44	(1.25)
4854	3-1 27/32	(961)	4-1 5/64	(1247)	12.90	(1.20)	E	3-8 15/16	(1141)	4-1 5/64	(1247)	15.32	(1.42)
4856	3-1 27/32	(961)	4-3 5/64	(1297)	13.42	(1.25)	E	3-8 15/16	(1141)	4-3 5/64	(1297)	15.94	(1.48)
4860	3-1 27/32	(961)	4-7 5/64	(1399)	14.48	(1.34)	E	3-8 15/16	(1141)	4-7 5/64	(1399)	17.19	(1.60)
4864	3-1 27/32	(961)	4-11 5/64	(1501)	15.53	(1.44)	E	3-8 15/16	(1141)	4-11 5/64	(1501)	18.44	(1.71)
4872 T	3-1 27/32	(961)	5-7 5/64	(1704)	17.63	(1.64)	E	3-8 15/16	(1141)	5-7 5/64	(1704)	20.93	(1.94)
5632	3-9 27/32	(1164)	2-3 5/64	(688)	8.62	(0.80)	E	4-4 15/16	(1345)	2-3 5/64	(688)	9.96	(0.92)
5636	3-9 27/32	(1164)	2-7 5/64	(789)	9.90	(0.92)	E	4-4 15/16	(1345)	2-7 5/64	(789)	11.43	(1.06)
5640	3-9 27/32	(1164)	2-11 5/64	(891)	11.17	(1.04)	E	4-4 15/16	(1345)	2-11 5/64	(891)	12.90	(1.20)
5644	3-9 27/32	(1164)	3-3 5/64	(993)	12.44	(1.16)	E	4-4 15/16	(1345)	3-3 5/64	(993)	14.37	(1.33)
5648	3-9 27/32	(1164)	3-7 5/64	(1094)	13.72	(1.27)	E	4-4 15/16	(1345)	3-7 5/64	(1094)	15.84	(1.47)
5654	3-9 27/32	(1164)	4-1 5/64	(1247)	15.63	(1.45)	E	4-4 15/16	(1345)	4-1 5/64	(1247)	18.04	(1.68)
5656	3-9 27/32	(1164)	4-3 5/64	(1297)	16.26	(1.51)	E	4-4 15/16	(1345)	4-3 5/64	(1297)	18.78	(1.74)
5660	3-9 27/32	(1164)	4-7 5/64	(1399)	17.54	(1.63)	E	4-4 15/16	(1345)	4-7 5/64	(1399)	20.25	(1.88)
5664	3-9 27/32	(1164)	4-11 5/64	(1501)	18.81	(1.75)	E	4-4 15/16	(1345)	4-11 5/64	(1501)	21.72	(2.02)
5672 T	3-9 27/32	(1164)	5-7 5/64	(1704)	21.36	(1.98)	E	4-4 15/16	(1345)	5-7 5/64	(1704)	24.66	(2.29)
6032	4-1 27/32	(1266)	2-3 5/64	(688)	9.37	(0.87)	E	4-8 15/16	(1446)	2-3 5/64	(688)	10.71	(0.99)
6036	4-1 27/32	(1266)	2-7 5/64	(789)	10.76	(1.00)	E	4-8 15/16	(1446)	2-7 5/64	(789)	12.29	(1.14)
6040	4-1 27/32	(1266)	2-11 5/64	(891)	12.14	(1.13)	E	4-8 15/16	(1446)	2-11 5/64	(891)	13.87	(1.29)
6044	4-1 27/32	(1266)	3-3 5/64	(993)	13.53	(1.26)	E	4-8 15/16	(1446)	3-3 5/64	(993)	15.45	(1.44)
6048	4-1 27/32	(1266)	3-7 5/64	(1094)	14.91	(1.39)	E	4-8 15/16	(1446)	3-7 5/64	(1094)	17.03	(1.58)
6054	4-1 27/32	(1266)	4-1 5/64	(1247)	16.99	(1.58)	E	4-8 15/16	(1446)	4-1 5/64	(1247)	19.41	(1.80)
6056	4-1 27/32	(1266)	4-3 5/64	(1297)	17.68	(1.64)	E	4-8 15/16	(1446)	4-3 5/64	(1297)	20.20	(1.88)
6060	4-1 27/32	(1266)	4-7 5/64	(1399)	19.07	(1.77)	E	4-8 15/16	(1446)	4-7 5/64	(1399)	21.78	(2.02)
6064 T	4-1 27/32	(1266)	4-11 5/64	(1501)	20.45	(1.90)	E	4-8 15/16	(1446)	4-11 5/64	(1501)	23.36	(2.17)
6072 T	4-1 27/32	(1266)	5-7 5/64	(1704)	23.22	(2.16)	E	4-8 15/16	(1446)	5-7 5/64	(1704)	26.52	(2.46)

Daylight Measurements

Wood Ultimate Push Out French Casement Daylight Measurements		Width										
		CN	36		40		48		56		60	
		DLO	1-0 55/64 (327)	1-2 55/64 (378)	1-6 55/64 (479)	1-10 55/64 (581)	2-0 55/64 (632)					
CN	DLO Height	Square Feet (Square Meters)										
		Standard Bottom Rail										
32	2-1 21/64 (643)	2.26 (0.21)	2.61 (0.24)	3.32 (0.31)	4.02 (0.37)	4.37 (0.41)						
36	2-5 21/64 (745)	2.62 (0.24)	3.03 (0.28)	3.84 (0.36)	4.66 (0.43)	5.06 (0.47)						
40	2-9 21/64 (847)	2.98 (0.28)	3.44 (0.32)	4.37 (0.41)	5.29 (0.49)	5.76 (0.53)						
44	3-1 21/64 (948)	3.33 (0.31)	3.85 (0.36)	4.89 (0.45)	5.93 (0.55)	6.45 (0.60)						
48	3-5 21/64 (1050)	3.69 (0.34)	4.27 (0.40)	5.41 (0.50)	6.56 (0.61)	7.14 (0.66)						
54	3-11 21/64 (1202)	4.23 (0.39)	4.89 (0.45)	6.20 (0.58)	7.52 (0.70)	8.17 (0.76)						
56	4-1 21/64 (1253)	4.41 (0.41)	5.09 (0.47)	6.46 (0.60)	7.83 (0.73)	8.52 (0.79)						
60	4-5 21/64 (1355)	4.76 (0.44)	5.50 (0.51)	6.99 (0.65)	8.47 (0.79)	9.21 (0.86)						
64	4-9 21/64 (1456)	5.12 (0.48)	5.92 (0.55)	7.51 (0.70)	9.10 (0.85)	9.90 (0.92)						
72	5-5 21/64 (1659)	5.84 (0.54)	6.74 (0.63)	8.56 (0.80)	10.37 (0.96)	11.28 (1.05)						
		Tall Bottom Rail										
32	1-11 53/64 (605)	2.13 (0.20)	2.46 (0.23)	3.12 (0.29)	3.78 (0.35)	4.11 (0.38)						
36	2-3 53/64 (707)	2.49 (0.23)	2.87 (0.27)	3.65 (0.34)	4.42 (0.41)	4.81 (0.45)						
40	2-7 53/64 (809)	2.84 (0.26)	3.29 (0.31)	4.17 (0.39)	5.05 (0.47)	5.50 (0.51)						
44	2-11 53/64 (910)	3.20 (0.30)	3.70 (0.34)	4.69 (0.44)	5.69 (0.53)	6.19 (0.57)						
48	3-3 53/64 (1012)	3.56 (0.33)	4.11 (0.38)	5.22 (0.48)	6.32 (0.59)	6.88 (0.64)						
54	3-9 53/64 (1164)	4.09 (0.38)	4.73 (0.44)	6.00 (0.56)	7.28 (0.68)	7.91 (0.74)						
56	3-11 53/64 (1215)	4.27 (0.40)	4.94 (0.46)	6.27 (0.58)	7.59 (0.71)	8.26 (0.77)						
60	4-3 53/64 (1317)	4.63 (0.43)	5.35 (0.50)	6.79 (0.63)	8.23 (0.76)	8.95 (0.83)						
64	4-7 53/64 (1418)	4.99 (0.46)	5.76 (0.54)	7.31 (0.68)	8.86 (0.82)	9.64 (0.90)						
72	5-3 53/64 (1621)	5.70 (0.53)	6.59 (0.61)	8.36 (0.78)	10.13 (0.94)	11.02 (1.02)						

## Wood Ultimate Push Out French Casement

### Minimum and Maximum Guidelines, Certified Sizes and Rating

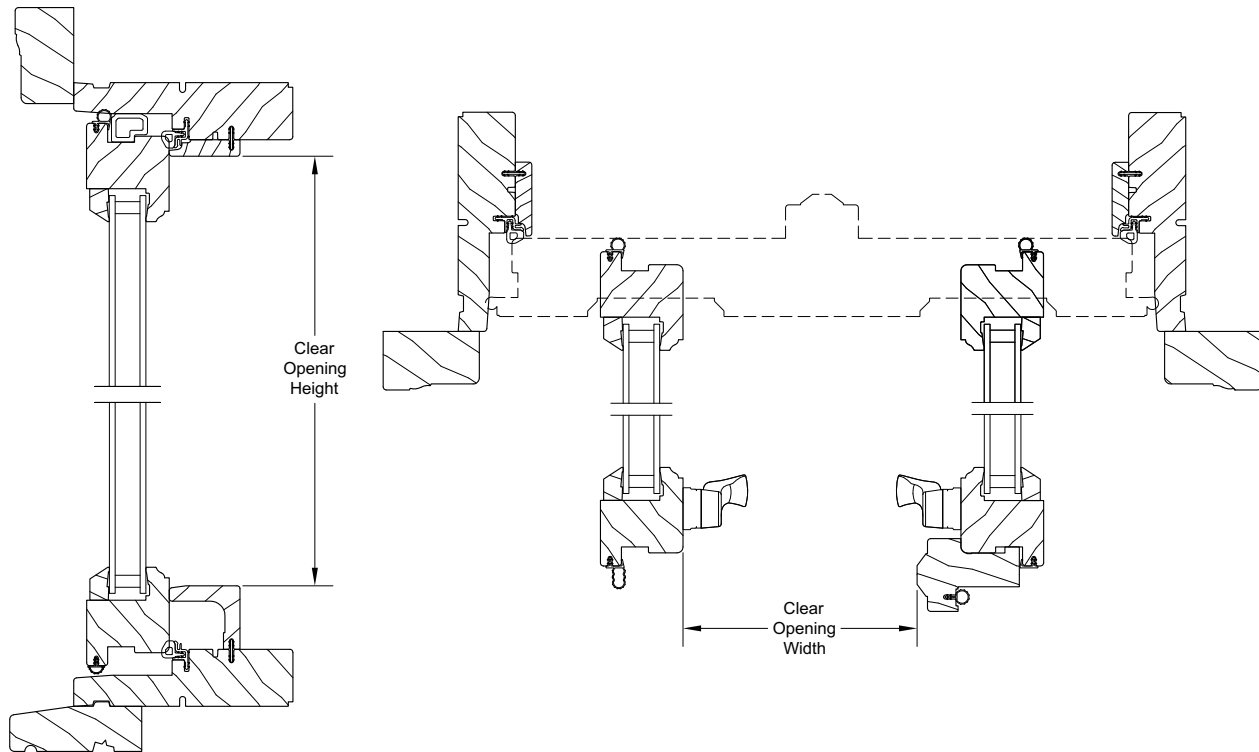
Full Frame Minimum and Maximum Frame Size, Certified, CE Marked								
Unit Type	Min Width		Min Height		Max Width		Max Height	
	in	mm	in	mm	in	mm	in	mm
WUPFCA	36	(914)	21	(533)	60	(1524)	72 1/16	(1830)

Full Frame Minimum and Maximum Frame Size, Non-Certified, CE Marked								
Unit Type	Min Width		Min Height		Max Width		Max Height	
	in	mm	in	mm	in	mm	in	mm
WUPFCA	32	(813)	21	(533)	72	(1829)	96 1/2	(2451)

Product	Air Tested to psf	Water Tested to psf	Structural Overload Tested to psf	Certification Rating	Max Width In	Max Width mm	Max Height In	Max Height mm
Wood Ultimate Push Out French Casement SG & 3/4" (Full Frame)	1.57	7.5	75	LC-PG50	56	1422	60 1/16	1526
Wood Ultimate Push Out French Casement SG & 3/4" (Full Frame)	1.57	7.5	60	LC-PG40	60	1524	72 1/16	1830

## Conversion Tables

Unit Measurements		Width		Height		
From	To					
<b>Rough Opening</b>			<b>in</b>	<b>mm</b>	<b>in</b>	<b>mm</b>
OM of Frame	Rough Opening	+ 1	(25)	+ 1/2	(13)	
Masonry Opening w/BMC	Rough Opening	-2 5/8	(67)	+ 1/4	(06)	
<b>Sash</b>			<b>in</b>	<b>mm</b>	<b>in</b>	<b>mm</b>
OM of Frame	OM of Sash	÷ 2	-1 11/16	(43)	-1 11/16	(43)
Daylight Opening (Std Btm Rail)	OM of Sash		+ 4 7/64	(104)	+ 4 7/64	(104)
Daylight Opening (Tall Btm Rail)	OM of Sash		+ 4 7/64	(104)	+ 5 7/64	(130)
<b>Glass</b>			<b>in</b>	<b>mm</b>	<b>in</b>	<b>mm</b>
Daylight Opening	Glass		+ 1 3/32	(28)	+ 1 3/32	(28)
<b>Screen</b>			<b>in</b>	<b>mm</b>	<b>in</b>	<b>mm</b>
OM of Frame	OM of Screen		-2 37/64	(66)	-2 37/64	(66)



# Wood Ultimate Push Out French Casement

## Standard Unit Measurements

Standard Ultimate Push Out French Casement Unit Measurements								
Width								
CN	Masonry Opening		Rough Opening		Frame Size		Daylight Opening	
	ft - in	mm	ft - in	mm	ft - in	mm	ft - in	mm
36	3-0 1/2	(927)	3-1	(940)	3-0	(914)	1-0 55/64	(327)
40	3-4 1/2	(1029)	3-5	(1041)	3-4	(1016)	1-2 55/64	(378)
48	4-0 1/2	(1232)	4-1	(1245)	4-0	(1219)	1-6 55/64	(479)
56	4-8 1/2	(1435)	4-9	(1448)	4-8	(1422)	1-10 55/64	(581)
60	5-0 1/2	(1537)	5-1	(1549)	5-0	(1524)	2-0 55/64	(632)

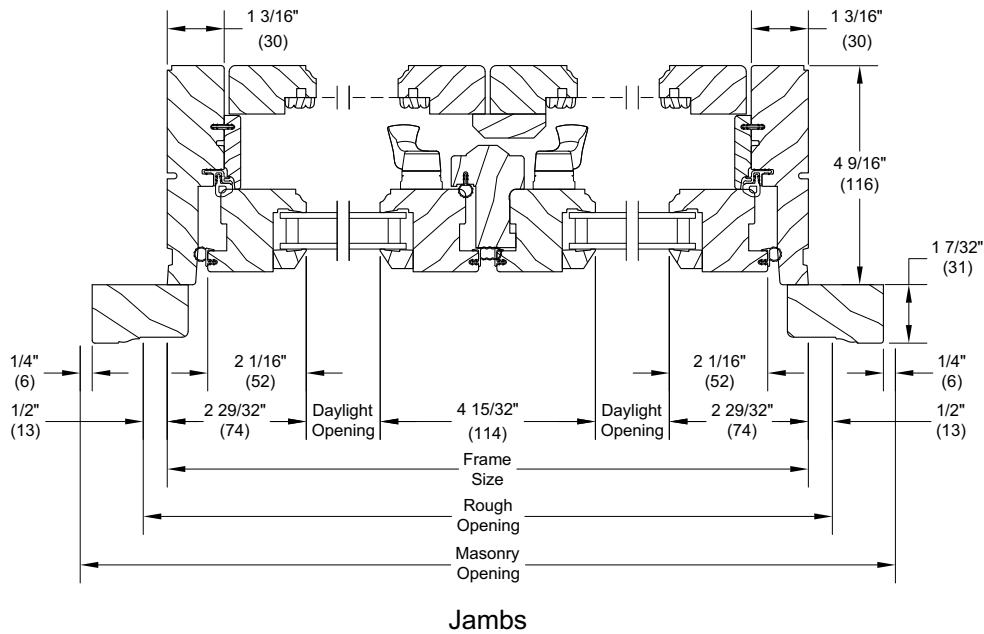
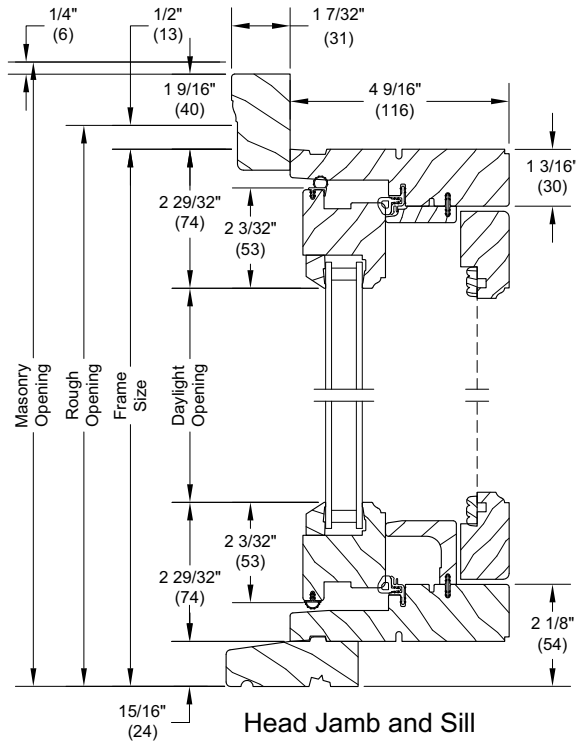
Standard Ultimate Push Out French Casement Unit Measurements										
Height										
CN	Masonry Opening		Rough Opening		Frame Size (w/subsill)		Daylight Opening (Std Bottom Rail)		Daylight Opening (Tall Bottom Rail)	
	ft - in	mm	ft - in	mm	ft - in	mm	ft - in	mm	ft - in	mm
32	2-8 5/16	(821)	2-8 9/16	(827)	2-8 1/16	(814)	2-1 21/64	(643)	1-11 53/64	(605)
36	3-0 5/16	(922)	3-0 9/16	(929)	3-0 1/16	(916)	2-5 21/64	(745)	2-3 53/64	(707)
40	3-4 5/16	(1024)	3-4 9/16	(1030)	3-4 1/16	(1018)	2-9 21/64	(847)	2-7 53/64	(809)
44	3-8 5/16	(1126)	3-8 9/16	(1132)	3-8 1/16	(1119)	3-1 21/64	(948)	2-11 53/64	(910)
48	4-0 5/16	(1227)	4-0 9/16	(1233)	4-0 1/16	(1221)	3-5 21/64	(1050)	3-3 53/64	(1012)
54	4-6 5/16	(1380)	4-6 9/16	(1386)	4-6 1/16	(1373)	3-11 21/64	(1202)	3-9 53/64	(1164)
56	4-8 5/16	(1430)	4-8 9/16	(1437)	4-8 1/16	(1424)	4-1 21/64	(1253)	3-11 53/64	(1215)
60	5-0 5/16	(1532)	5-0 9/16	(1538)	5-0 1/16	(1526)	4-5 21/64	(1355)	4-3 53/64	(1317)
64	5-4 5/16	(1634)	5-4 9/16	(1640)	5-4 1/16	(1627)	4-9 21/64	(1456)	4-7 53/64	(1418)
72	6-0 5/16	(1837)	6-0 9/16	(1843)	6-0 1/16	(1830)	5-5 21/64	(1659)	5-3 53/64	(1621)



# Wood Ultimate Push Out French Casement

## Section Details: 3/4" IG Operator

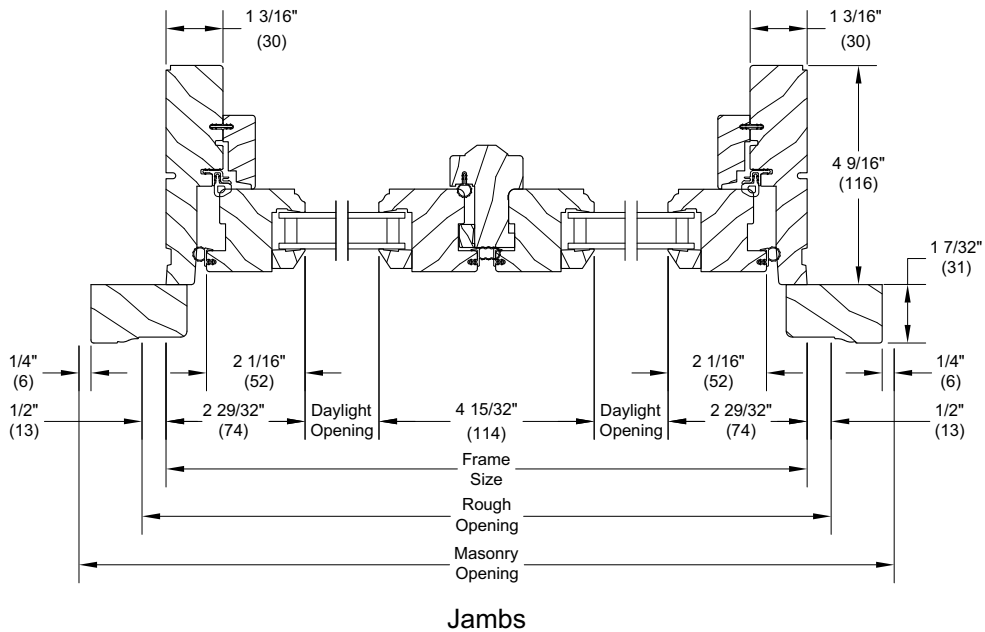
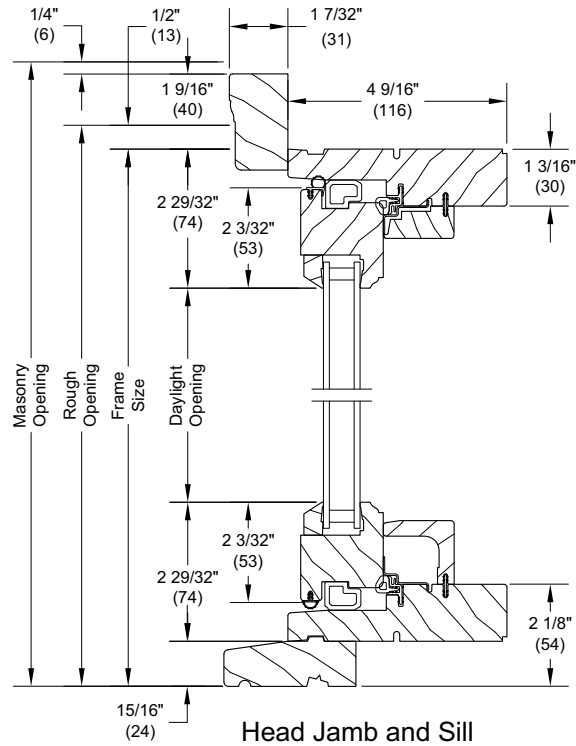
Scale: 3" = 1' 0"



# Wood Ultimate Push Out French Casement

## Section Details: 3/4" IG Stationary

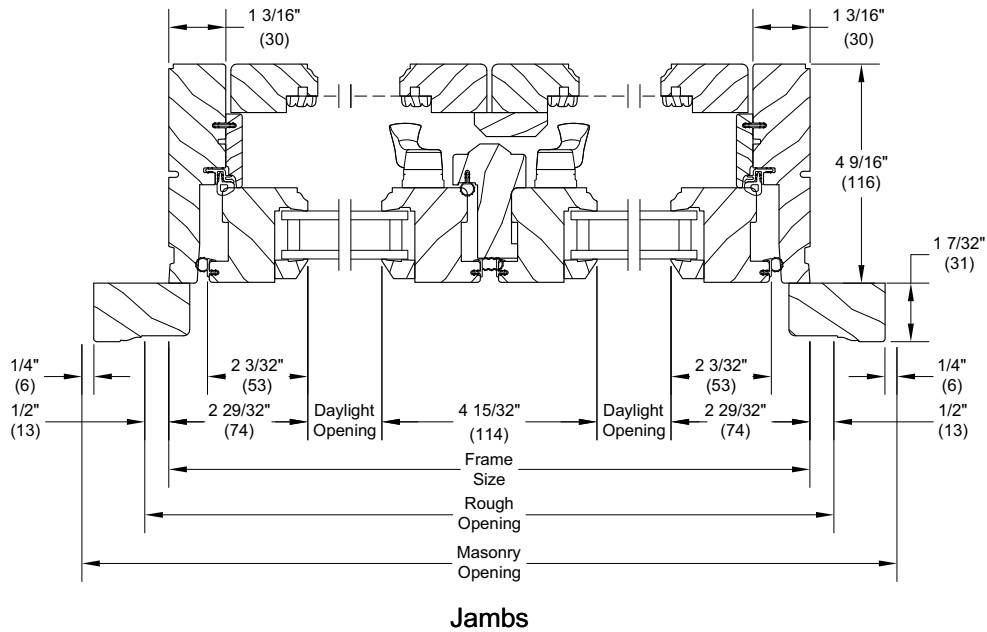
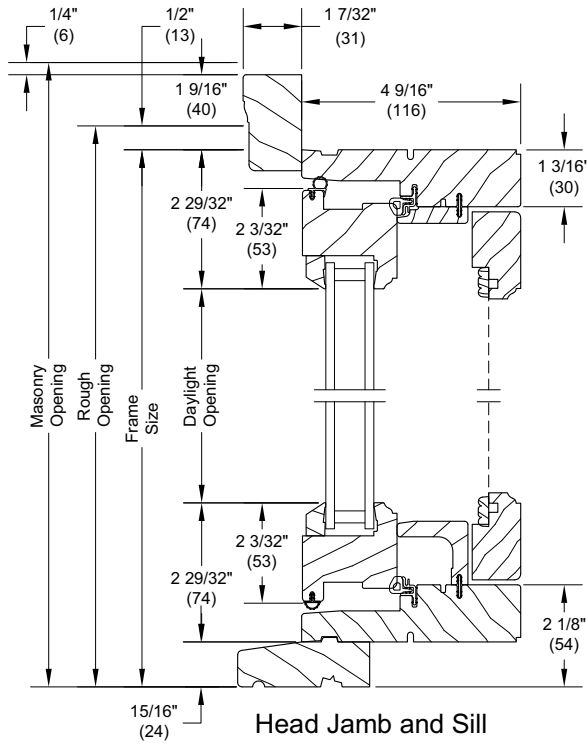
Scale: 3" = 1' 0"



# Wood Ultimate Push Out French Casement

## Section Details: 1" IG Operator

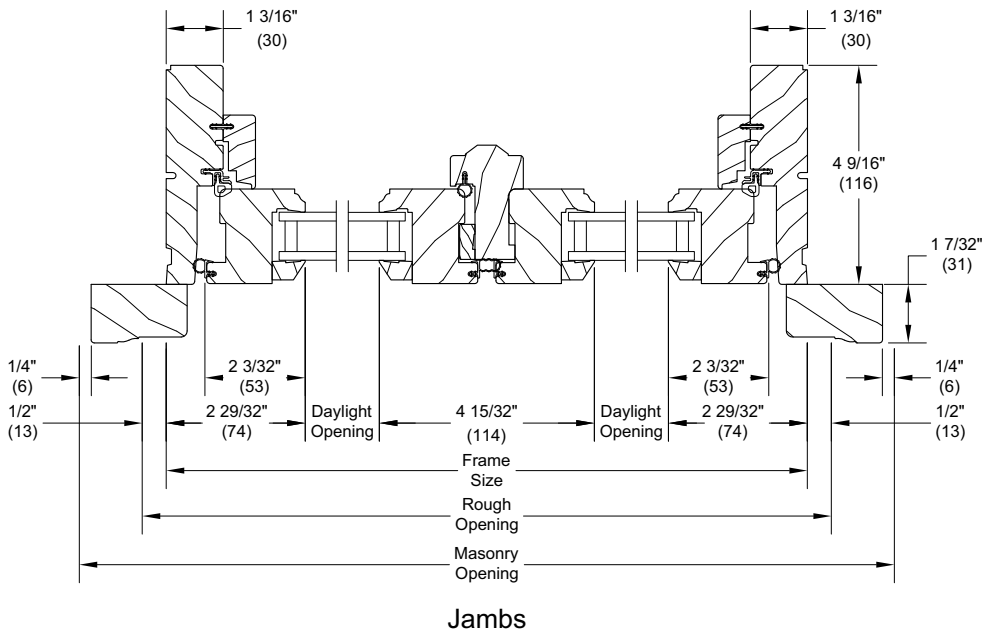
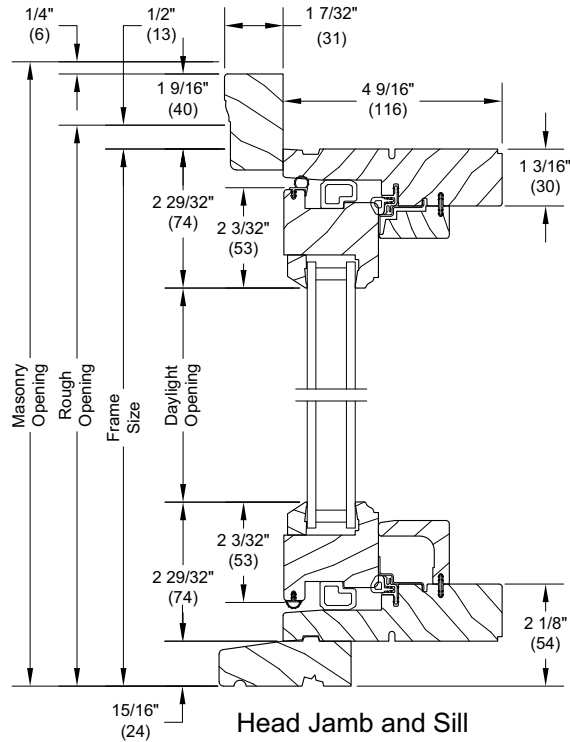
Scale: 3" = 1' 0"



# Wood Ultimate Push Out French Casement

## Section Details: 1" IG Stationary

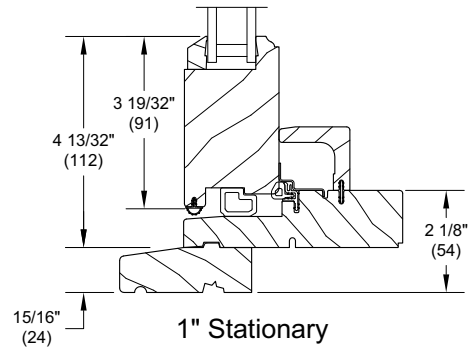
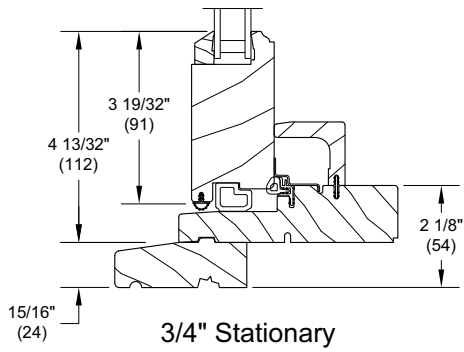
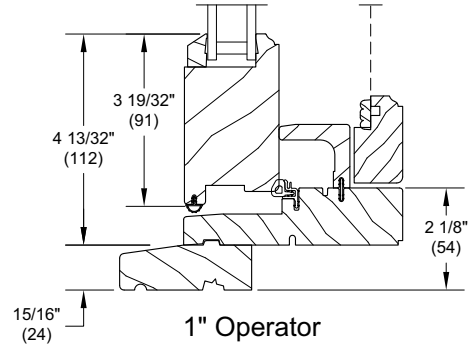
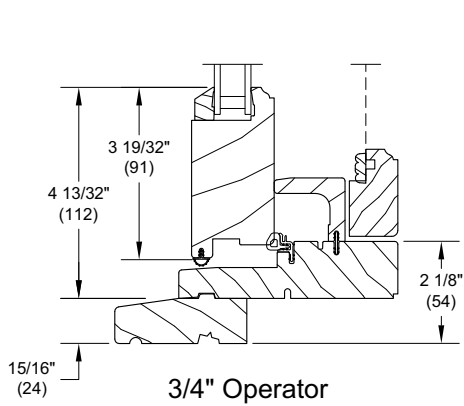
Scale: 3" = 1' 0"



# Wood Ultimate Push Out French Casement

## Section Details: 3/4" IG and 1" IG Operator/Stationary Wide Bottom Rail Option

Scale: 3" = 1' 0"



# *Wood Ultimate Push Out French Casement*

---