

1 3/4" Wood Ultimate Arch Top Swinging French Doors

Standard Unit Measurements.....	1
Minimum and Maximum Guidelines/Measurement Conversions	2
Net Clear Openings.....	3
Inswing Section Details: Operating	4
Inswing Section Details: Stationary and Sidelite	5
Inswing Section Details: Standard and Ultimate Swinging Screens.....	6
Inswing Section Details: Flat Panel Placement.....	7
Inswing Section Details: Raised Panel Placement.....	8
Outswing Section Details: Operating.....	9
Outswing Section Details: Stationary and Sidelite	10
Outswing Section Details: Flat Panel Placement	11
Outswing Section Details: Raised Panel Placement.....	12

Wood Ultimate Arch Top Swinging French Doors

Standard Unit Measurements

NOTE: Wood Ultimate Arch Top Inswing / Outswing French Door is not available with CE mark.

Standard Inswing and Outswing Unit Measurements													
Width													
Unit Type	Call Number	Masonry Opening		Rough Opening		Frame Size		Panel OM		Daylight Opening		Glass Size	
		ft - in	mm	ft - in	mm	ft - in	mm	ft-in	mm	ft - in	mm	ft-in	mm
1 Panel	2-6	2-10 9/16	(878)	2-8 7/16	(824)	2-7 7/16	(799)	2-5 1/16	(738)	1-7 19/32	(498)	1-8 29/32	(531)
	2-8	3-0 9/16	(929)	2-10 7/16	(875)	2-9 7/16	(849)	2-7 1/16	(789)	1-9 19/32	(548)	1-10 29/32	(582)
	3-0	3-4 9/16	(1030)	3-2 7/16	(976)	3-1 7/16	(951)	2-11 1/16	(891)	2-1 19/32	(650)	2-2 29/32	(683)
2 Panel	5-0	5-3 3/4	(1619)	5-1 5/8	(1565)	5-0 5/8	(1540)	2-5 1/16	(738)	1-7 19/32	(498)	1-8 29/32	(531)
	6-0	6-3 3/4	(1924)	6-1 5/8	(1870)	6-0 5/8	(1845)	2-11 1/16	(891)	2-1 19/32	(650)	2-2 29/32	(683)
Height													
Unit Type	Call Number	Masonry Opening		Rough Opening		Frame Size		Panel OM		Daylight Opening		Glass Size	
		ft - in	mm	ft - in	mm	ft - in	mm	ft-in	mm	ft - in	mm	ft - in	mm
All Configurations	6-8	6-11 9/16	(2122)	6-10 1/2	(2096)	6-10	(2083)	6-7	(2007)	5-6 1/8	(1680)	5-7 7/16	(1713)
	7-0	7-3 9/16	(2224)	7-2 1/2	(2197)	7-2	(2184)	6-11	(2108)	5-10 1/8	(1781)	5-11 7/16	(1815)
	8-0	8-1 1/16	(2465)	8-0	(2438)	7-11 1/2	(2426)	7-8 1/2	(2350)	6-7 5/8	(2022)	6-8 15/16	(2056)

RT6 - Spring Line Measurements									
RO Radius Width for X = 3 - 4 1/2" (1029)									
RO Radius Width for XX = 6 - 0 1/2" (1842)									
CN	Rough Opening		Rough Opening Springline		Frame Size		Frame Size Springline		
	ft-in	mm	ft-in	mm	ft-in	mm	ft-in	mm	
2668	6-10 1/2	(2096)	6-7 1/8	(2010)	6-10	(2083)	6-6 13/16	(2001)	
2670	7-2 1/2	(2197)	6-11 1/8	(2111)	7-2	(2184)	6-10 13/16	(2103)	
2680	8-0	(2438)	7-8 5/8	(2353)	7-11 1/2	(2426)	7-8 5/16	(2344)	
2868	6-10 1/2	(2096)	6-6 11/16	(1999)	6-10	(2083)	6-6 3/8	(1990)	
2870	7-2 1/2	(2197)	6-10 11/16	(2100)	7-2	(2184)	6-10 3/8	(2091)	
2880	8-0	(2438)	7-8 3/16	(2342)	7-11 1/2	(2426)	7-7 7/8	(2333)	
3068	6-10 1/2	(2096)	6-5 5/8	(1972)	6-10	(2083)	6-5 3/8	(1965)	
3070	7-2 1/2	(2197)	6-9 5/8	(2073)	7-2	(2184)	6-9 3/8	(2066)	
3080	8-0	(2438)	7-7 1/8	(2315)	7-11 1/2	(2426)	7-6 7/8	(2308)	
5068	6-10 1/2	(2096)	6-3 5/8	(1921)	6-10	(2083)	6-3 5/16	(1913)	
5070	7-2 1/2	(2197)	6-7 5/8	(2022)	7-2	(2184)	6-7 5/16	(2014)	
5080	8-0	(2438)	7-5 1/8	(2264)	7-11 1/2	(2426)	7-4 13/16	(2256)	
6068	6-10 1/2	(2096)	6-0 7/16	(1840)	6-10	(2083)	6-0 3/16	(1833)	
6070	7-2 1/2	(2197)	6-4 7/16	(1942)	7-2	(2184)	6-4 3/16	(1935)	
6080	8-0	(2438)	7-1 15/16	(2183)	7-11 1/2	(2426)	7-1 11/16	(2176)	

Wood Ultimate Arch Top Swinging French Doors

Minimum and Maximum Guidelines/Measurement Conversions

Minimum and Maximum Guidelines									
Unit Type		Min Frame Size Unit				Max Frame Size Unit			
		Width		Height		Width		Height	
		in	mm	in	mm	in	mm	in	mm
1 - Panel Stationary		27 1/16	(687)	21 9/16	(548)	37 7/16	(951)	107 1/2	(2731)
1 - Panel Operator	Mortise Lock	27 1/16	(687)	56 35/64	(1436)	37 7/16	(951)	86	(2184)
	Multi-Point	27 1/16	(687)	71 59/64	(1827)	37 7/16	(951)	107 1/2	(2731)
2 - Panel Operator	Mortise Lock	51 7/8	(1318)	54 15/16	(1395)	72 5/8	(1845)	86	(2184)
	Multi-Point	51 7/8	(1318)	70 5/16	(1786)	72 5/8	(1845)	107 1/2	(2731)

Oversized Maximum Guidelines					
Unit Type		Max Frame Size Unit			
		Width		Height	
		in	mm	in	mm
1 - Panel Stationary	Multi-Point	50 3/8	(1280)	113 1/2	(2883)
1 - Panel Operator	Multi-Point	43 7/16	(1103)	113 1/2	(2883)
2 - Panel Operator	Multi-Point	84 5/8	(2149)	113 1/2	(2883)

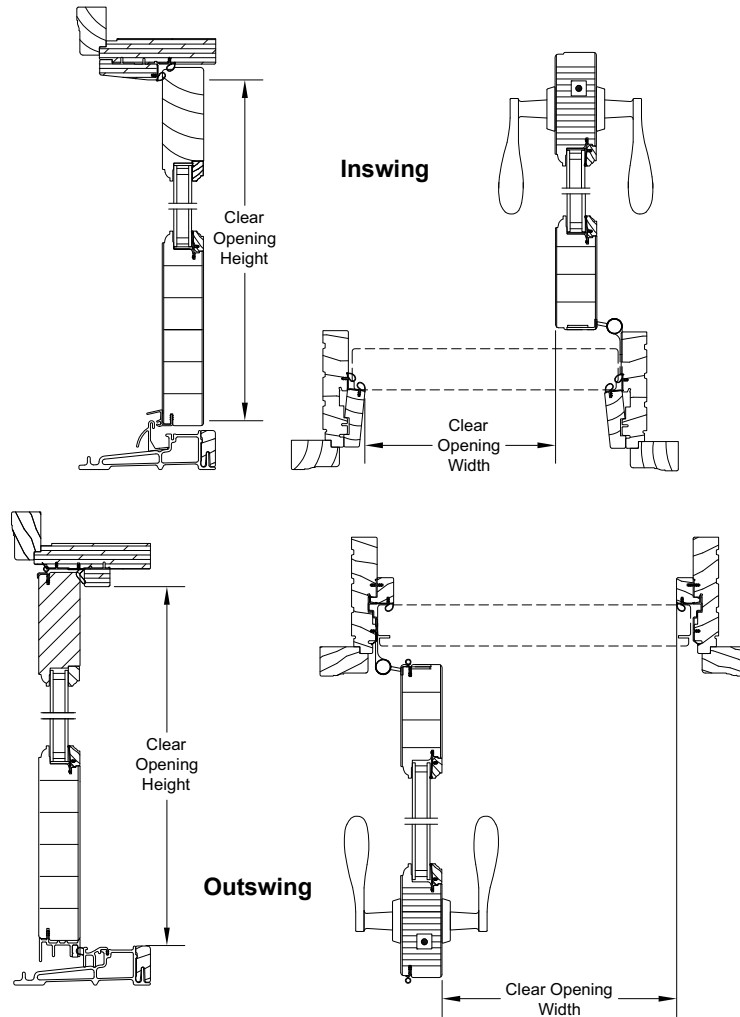
Unit Measurements		Width				Height	
From	To	in	mm			in	mm
Rough Opening		in	mm			in	mm
OM of Frame	Rough Opening	+ 1	(25)			+ 1/2	(13)
Masonry Opening w/BMC	Rough Opening	-2 1/8	(54)			-1 1/16	(27)
Operating Panel		in	mm			in	mm
OM of Frame	OM of Panel (x1)	-2 3/8	(60)			-3	(76)
OM of Frame	OM of Panel (x2)	-2 1/4	(57)	÷	2	-3	(76)
Daylight Opening	OM of Panel	+ 9 15/32	(241)			+ 12 27/32	(326)
Glass		in	mm			in	mm
Daylight Opening	Glass	+ 1 5/16	(33)			+ 1 5/16	(33)

NOTE: 1-Panel Standard R.O. Radius 40 1/2" (1029) 2-Panel Standard R.O. Radius 72 1/2" (1842)

Net Clear Openings

Net Clear Opening Ultimate Inswing French Door			
Width			
Unit Type	Call Number	Net Clear Openings	
		ft-in	mm
1 Panel	2-6	2-2 1/16	(662)
	2-8	2-4 1/16	(713)
	3-0	2-8 1/16	(815)
2 Panel	5-0	4-5 3/16	(1351)
	6-0	5-5 3/16	(1656)
Height			
Unit Type	Call Number	Net Clear Openings	
		ft - in	mm
All Configurations At Springline	6-8	6-6 11/32	(1990)
	7-0	6-10 11/32	(2092)
	8-0	7-7 27/32	(2333)

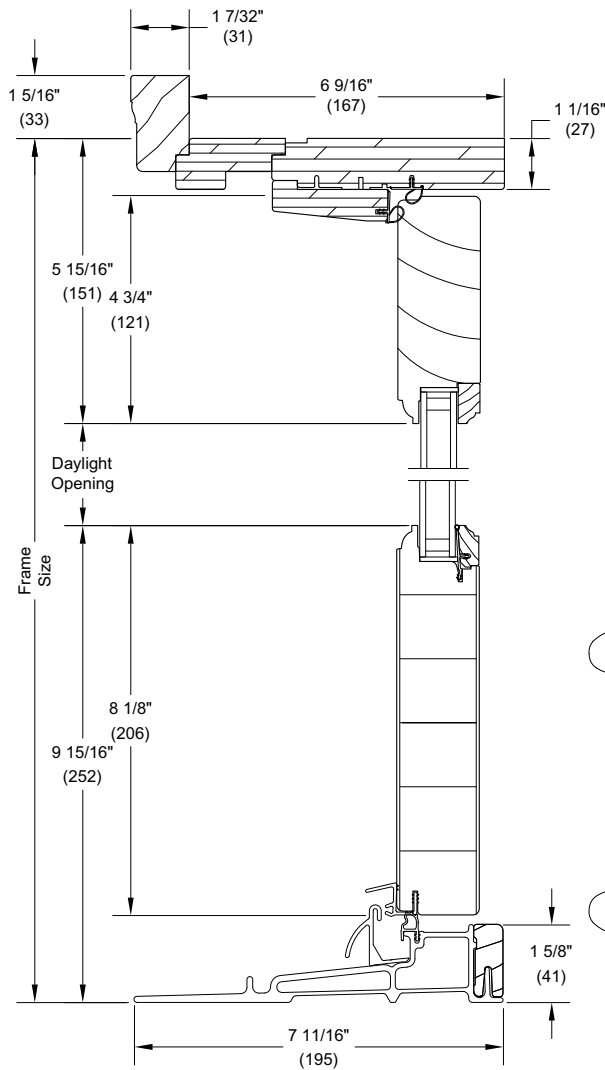
Net Clear Opening Ultimate Outswing French Door			
Width			
Unit Type	Call Number	Net Clear Openings	
		ft-in	mm
1 Panel	2-6	2-2 1/32	(661)
	2-8	2-4 1/32	(712)
	3-0	2-8 1/32	(813)
2 Panel	5-0	4-3 3/4	(1314)
	6-0	5-3 3/4	(1619)
Height			
Unit Type	Call Number	Net Clear Openings	
		ft - in	mm
All Configurations At Springline	6-8	6-6 1/4	(1987)
	7-0	6-10 1/4	(2089)
	8-0	7-7 3/4	(2330)



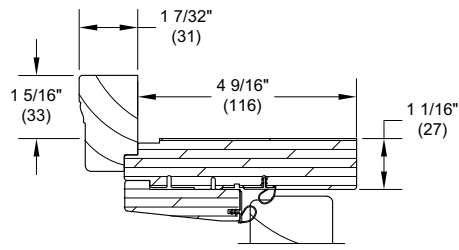
Wood Ultimate Arch Top Swinging French Doors

Inswing Section Details: Operating

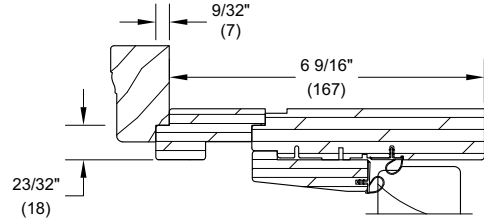
Scale: 3" = 1' 0"



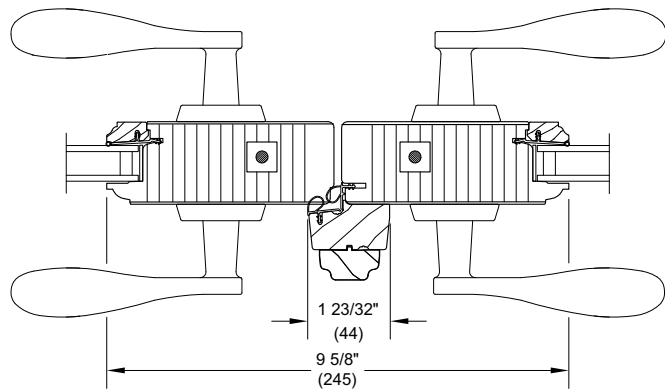
Head Jamb and Sill



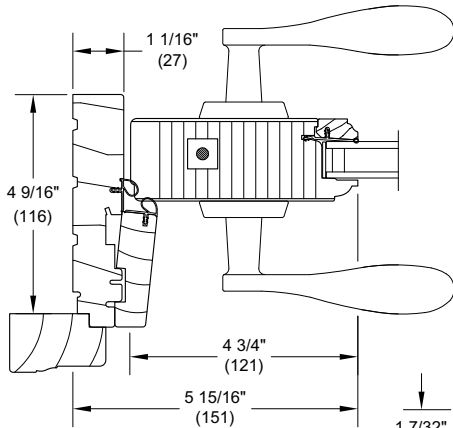
4 9/16" Head Jamb



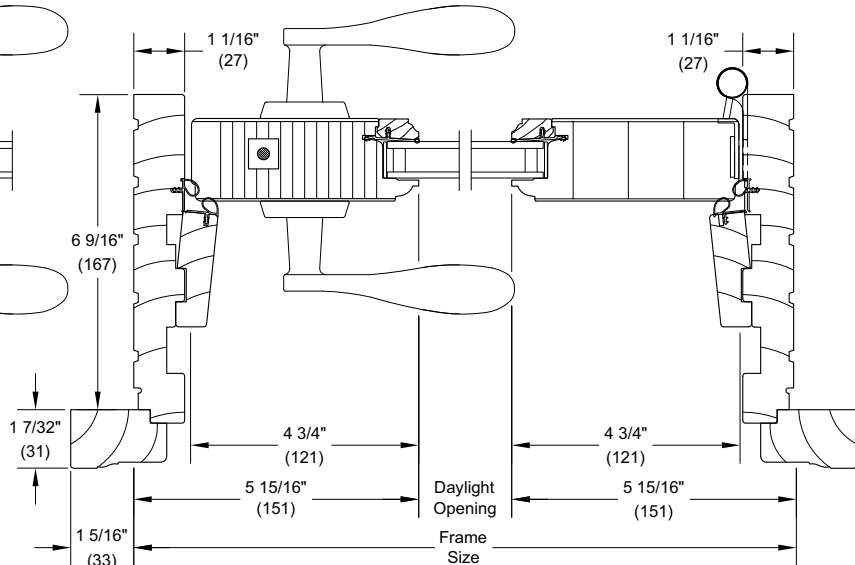
Backrabbet on Brick Mould Casing



XX L - Meeting Stiles



4 9/16" Jamb

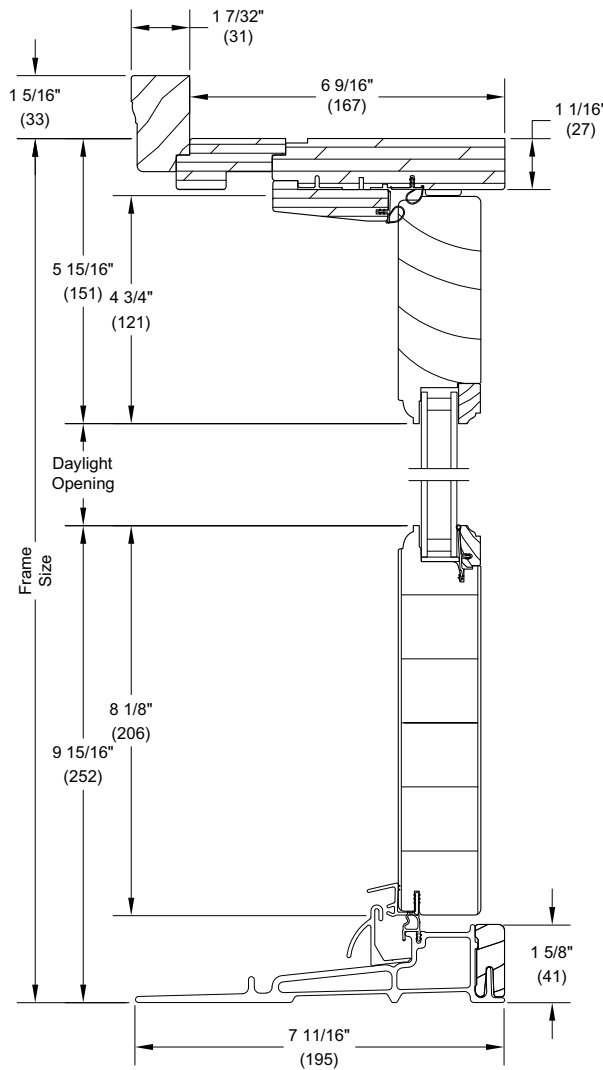


X R - Jamb

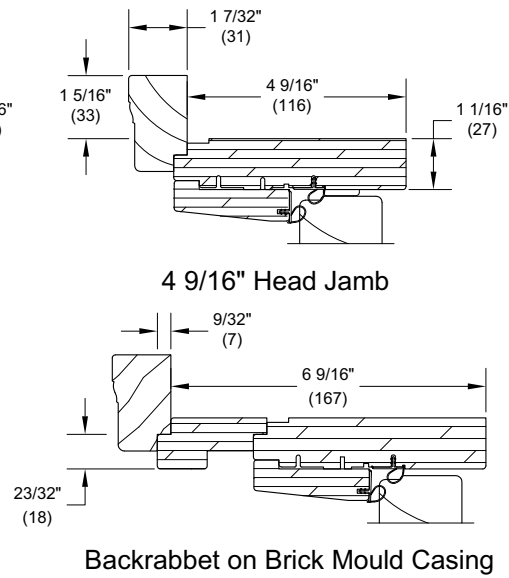
Wood Ultimate Arch Top Swinging French Doors

Inswing Section Details: Stationary and Sidelite

Scale: 3" = 1' 0"

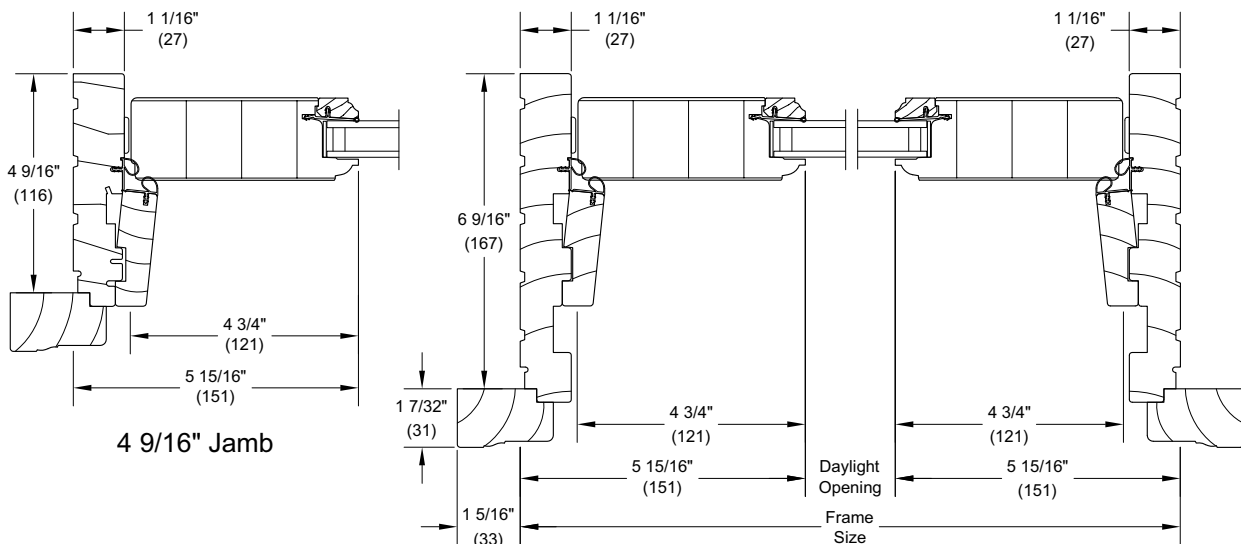


Head Jamb and Sill



4 9/16" Head Jamb

Backrabbet on Brick Mould Casing



4 9/16" Jamb

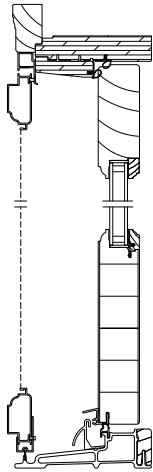
O - Jamb

Wood Ultimate Arch Top Swinging French Doors

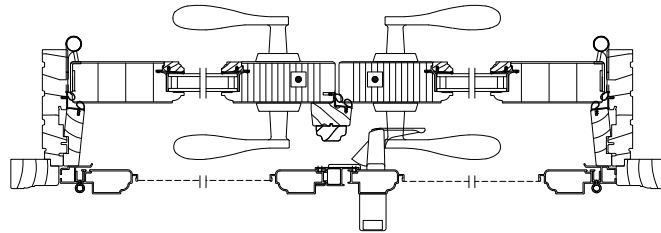
Inswing Section Details: Standard and Ultimate Swinging Screens

Not to Scale

Standard Screen

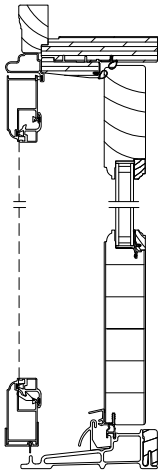


4 9/16" Head
Jamb and Sill

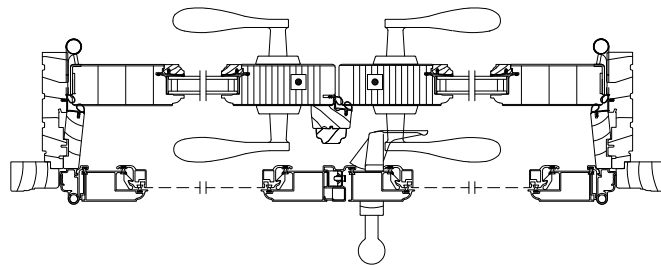


4 9/16" XXR Jamb

Ultimate Screen



4 9/16" Head
Jamb and Sill

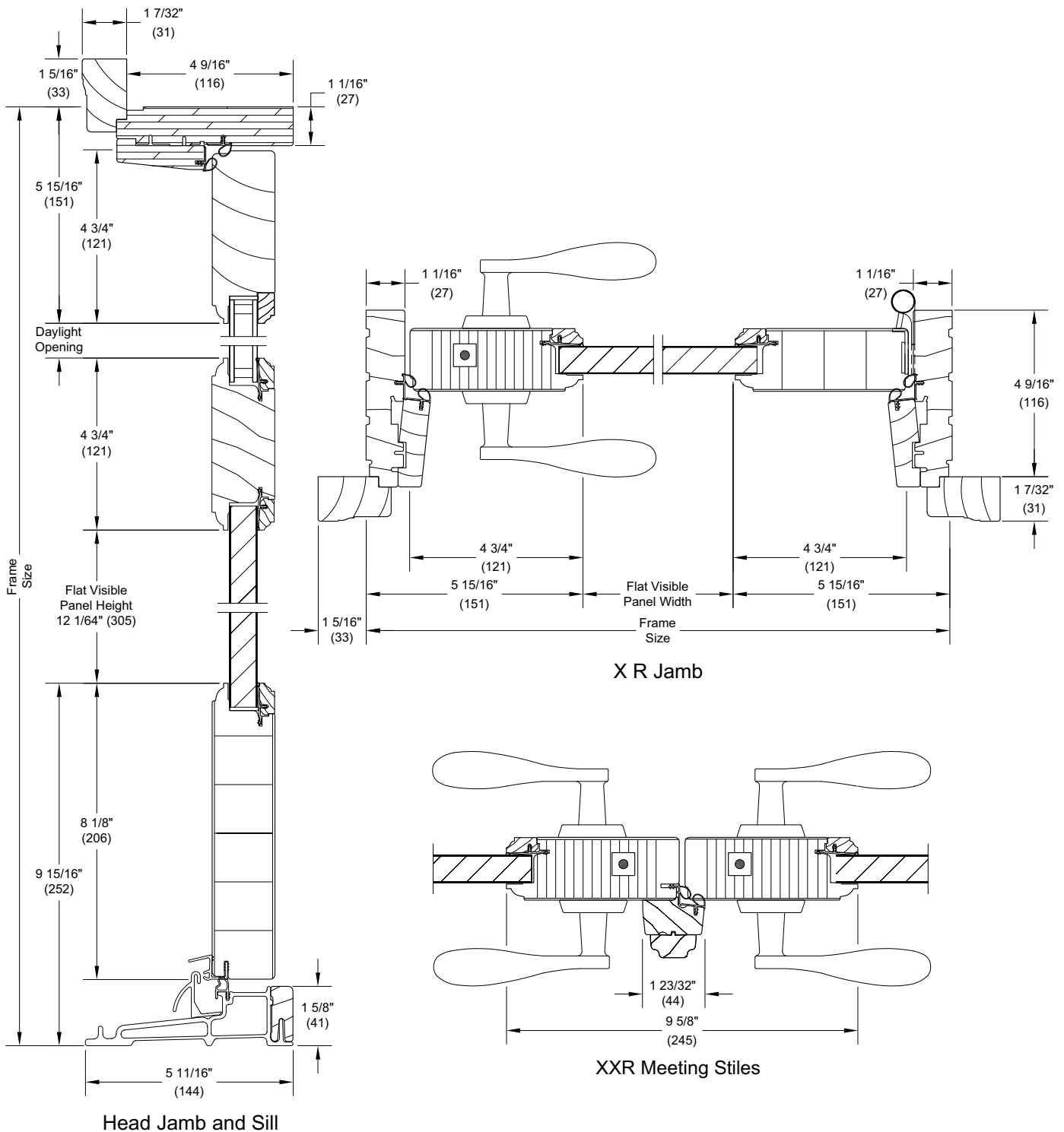


4 9/16" XXR Jamb

Wood Ultimate Arch Top Swinging French Doors

Inswing Section Details: Flat Panel Placement

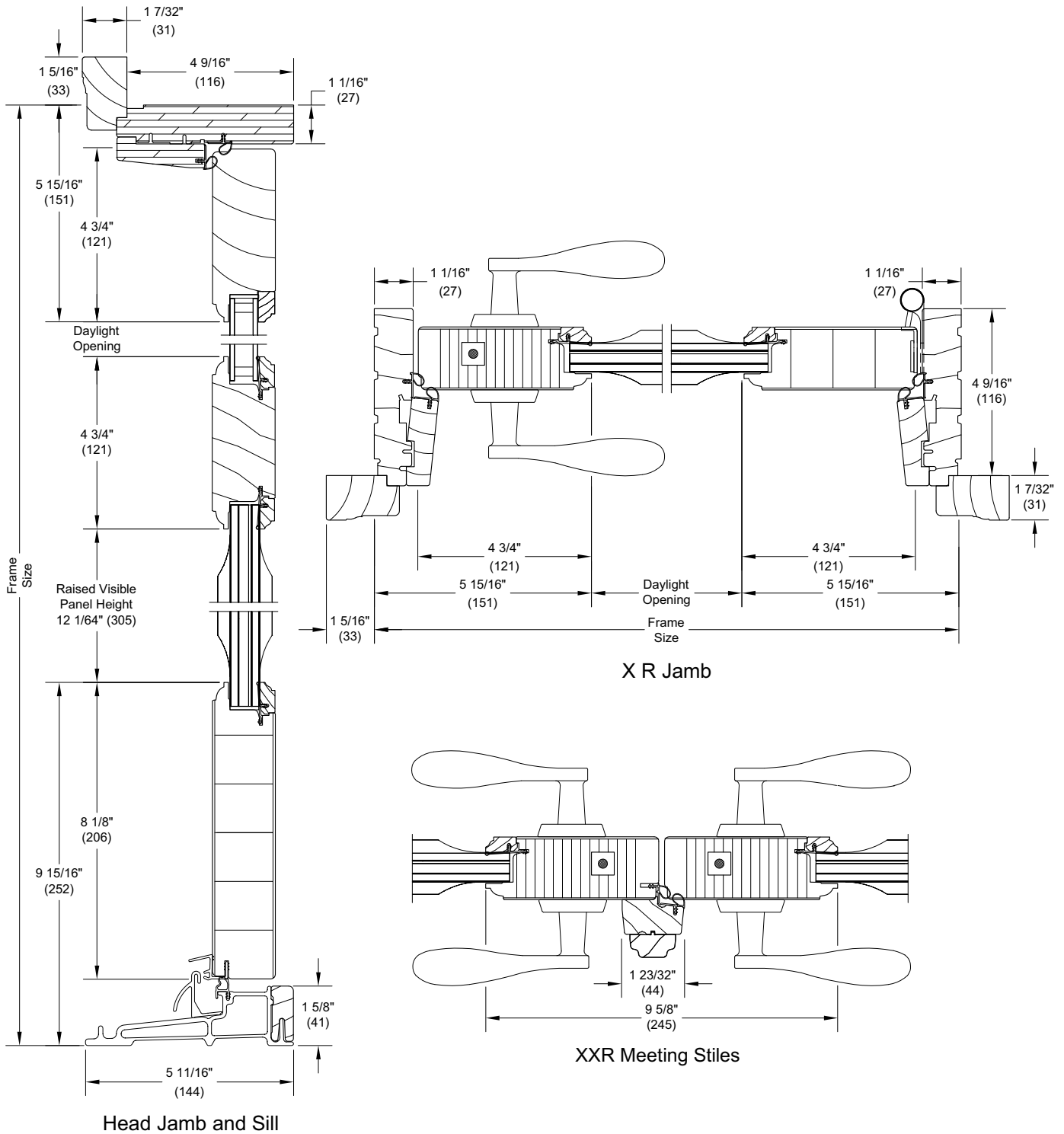
Scale: 3" = 1' 0"



Wood Ultimate Arch Top Swinging French Doors

Inswing Section Details: Raised Panel Placement

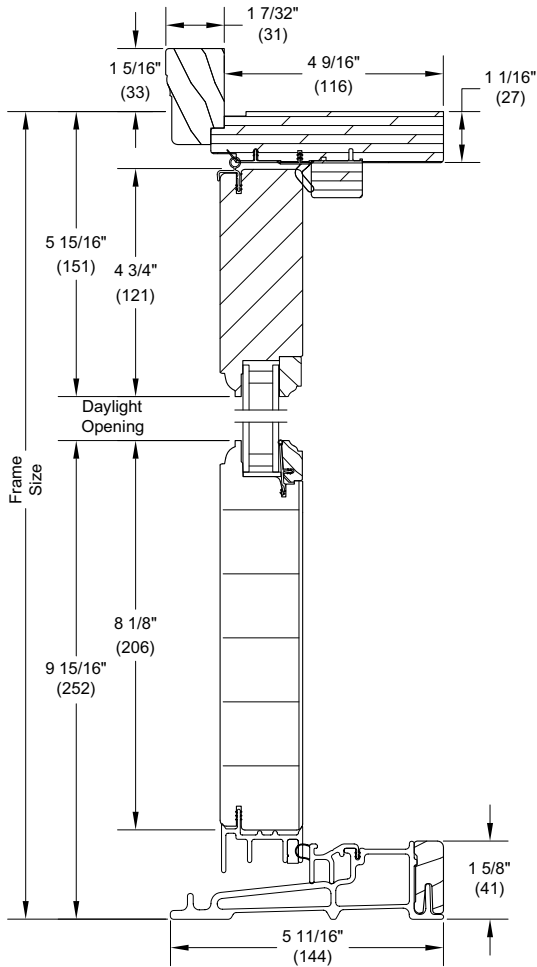
Scale: 3" = 1' 0"



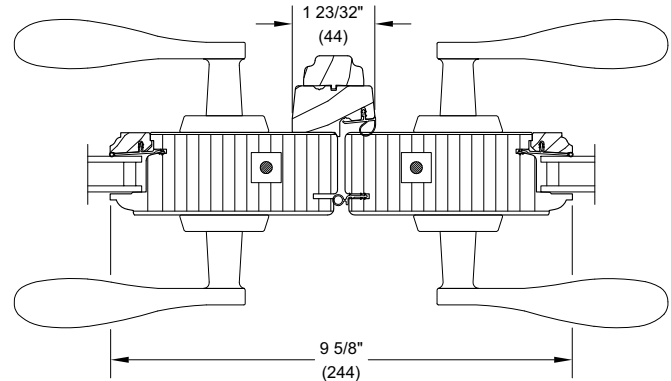
Wood Ultimate Arch Top Swinging French Doors

Outswing Section Details: Operating

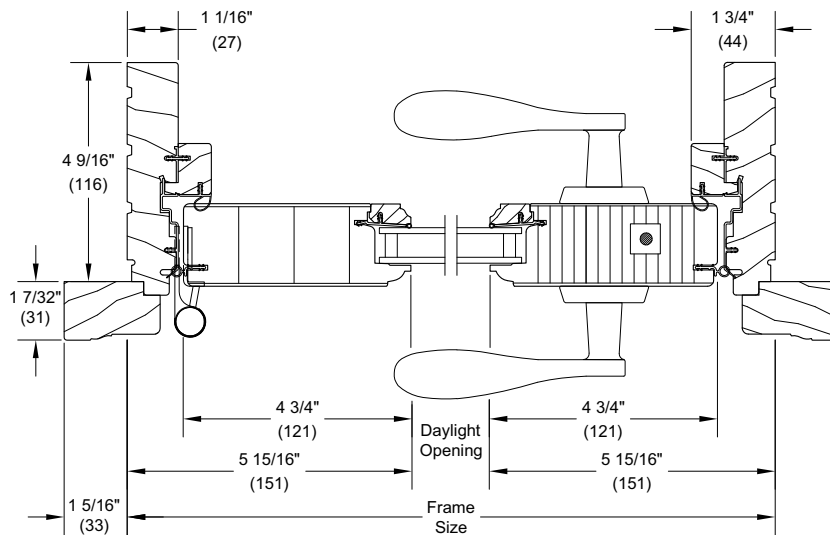
Scale: 3" = 1' 0"



Head Jamb and Sill



XX L - Meeting Stiles

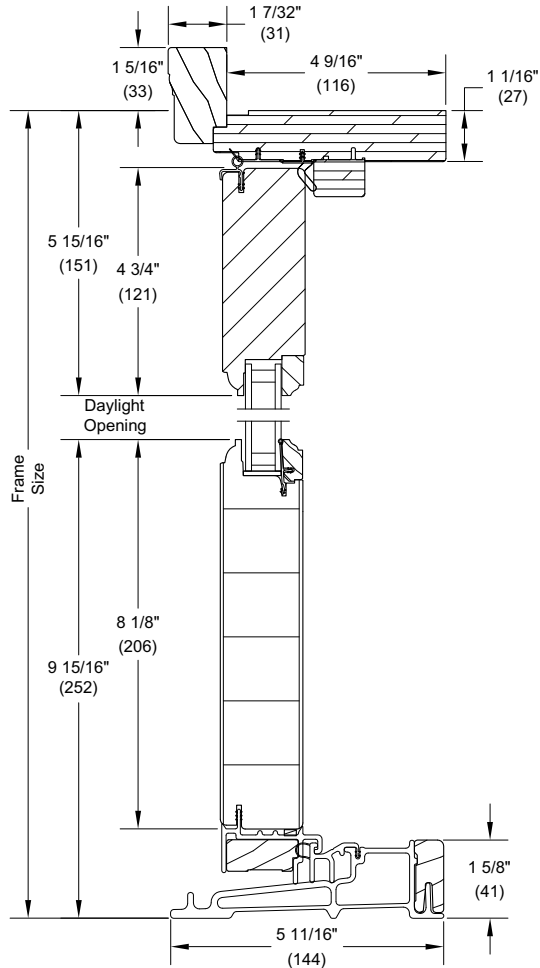


X R - Jamb

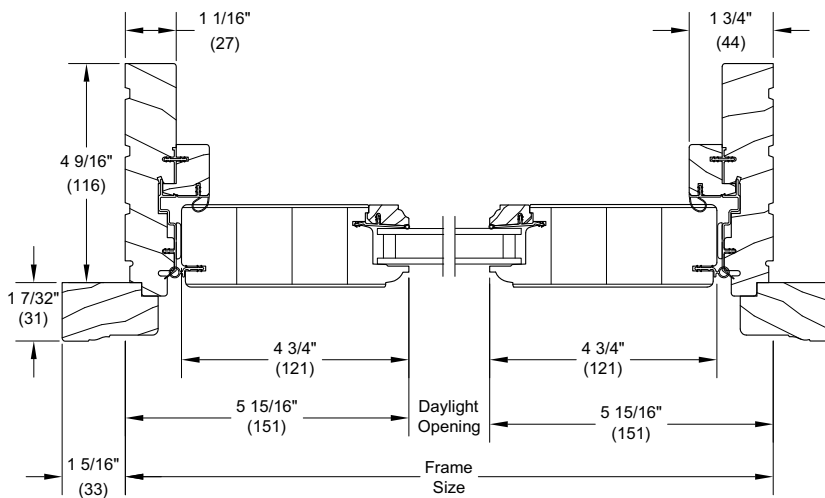
Wood Ultimate Arch Top Swinging French Doors

Outswing Section Details: Stationary and Sidelite

Scale: 3" = 1' 0"



Head Jamb and Sill

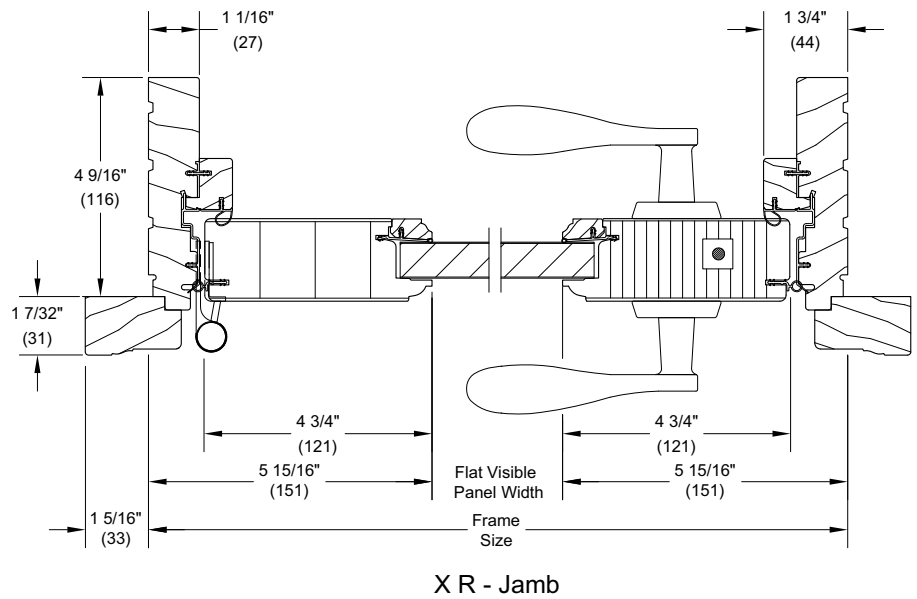
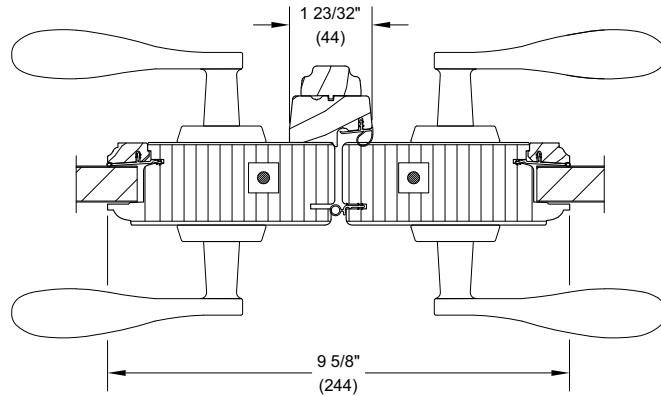
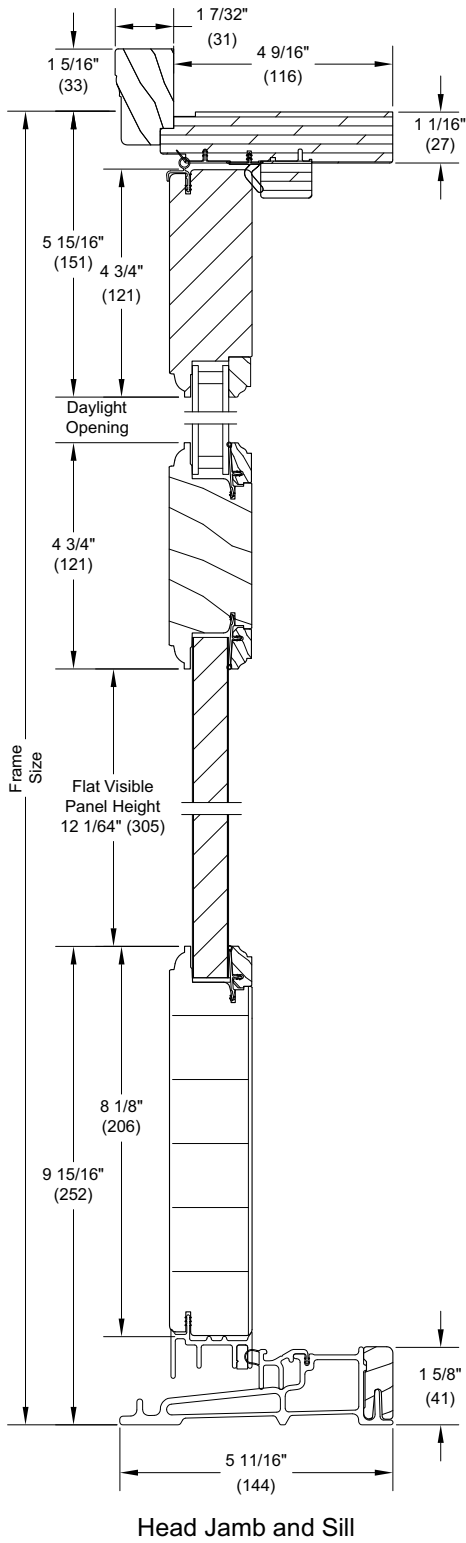


O - Jamb

Wood Ultimate Arch Top Swinging French Doors

Outswing Section Details: Flat Panel Placement

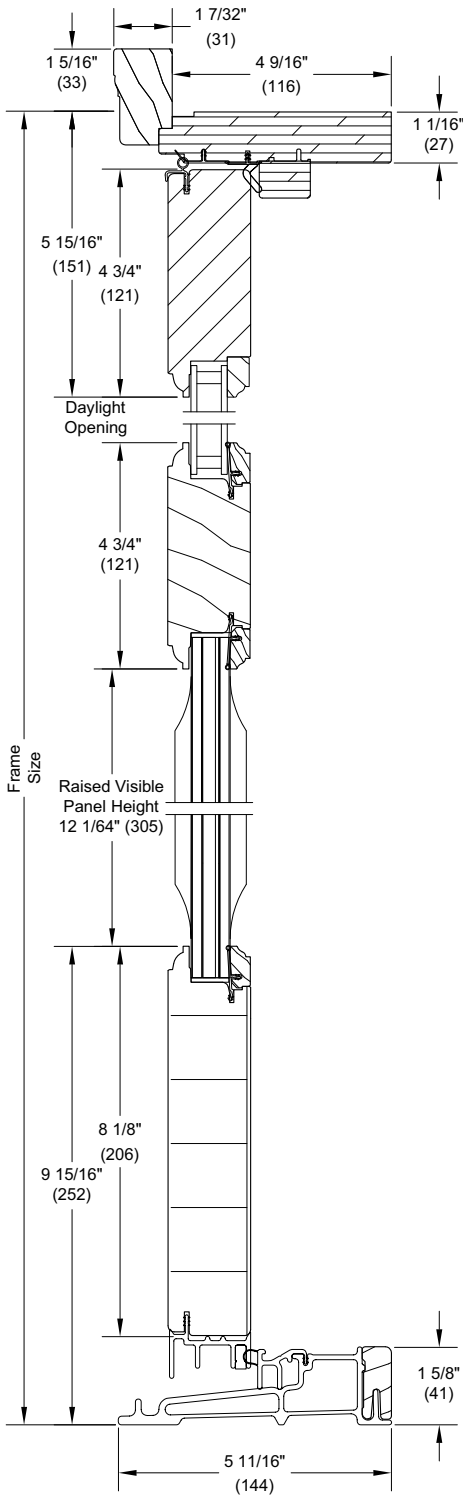
Scale: 3" = 1' 0"



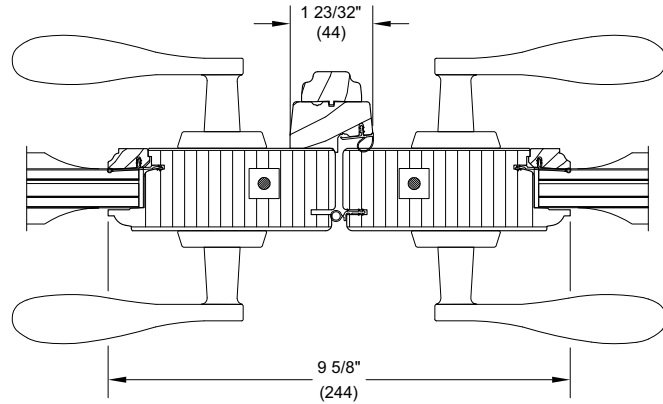
Wood Ultimate Arch Top Swinging French Doors

Outswing Section Details: Raised Panel Placement

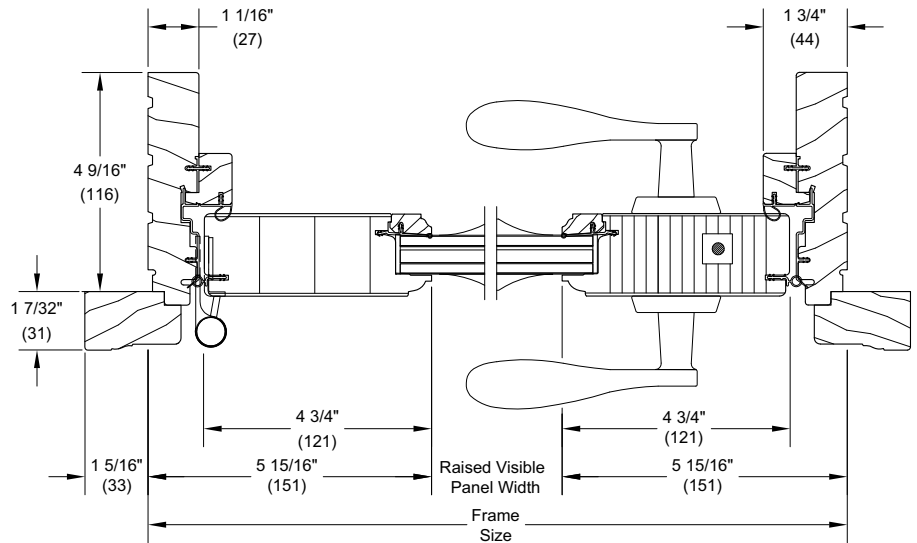
Scale: 3" = 1' 0"



Head Jamb and Sill



XX L - Meeting Stiles



X R - Jamb