

Wood Ultimate French Casement Crank Out

Unit Features.....	1
Egress and Vent Openings	2
Daylight Measurements.....	3
Minimum and Maximum Guidelines, Certified Sizes and Rating.....	4
Conversion Table	5
Standard Unit Measurements.....	6
Section Details: 3/4" IG Operator/Stationary Meeting Stiles	7

Wood Ultimate French Casement Crank Out

Unit Features

Wood Ultimate French Crank Out- WUFCA

Wood Ultimate French Casement units feature two (2) sashes, that when open there is no mull post in the middle.
(LH - Primary sash from exterior) (RH - Secondary sash from exterior)

WUFCA Hardware

- A multi-point mechanism is applied to the perimeter of the primary sash. The French Casement lock is actuated by a locking lever that is mounted near the midpoint of the sill on the interior face of the sill stop. Strike plates are mounted to the sill, head and secondary sash to provide interlocking of the sash to the frame. The roto mechanism allows each sash to crank out to 90 degrees.
- There are 2 E-Gard® coated hinges. One is connected at the sill and bottom rail and second one connected at the head jamb and top rail. The tracks are stainless steel.
- The standard crank handles are folding handles.
- Crank out units do not have the wash mode hinge option. Frames with an OM of 40" to 45 1/16" use a 10" Dyad Hinge. Units that are 45 1/16" to 60" use a 10" non wash mode standard hinge. Single arm hinges greater than 9 3/4" will open a full 90 degrees. Operating force at the handles is less than 5 lbs.
- The standard finish available for the locking handles is Satin Taupe (painted), with options for White (painted), Bronze (painted), Satin Chrome (plated), Satin Nickel (plated), Oil Rubbed Bronze (plated), Brass (plated) Antique Brass (plated) and Polished Chrome (plated).

Weather Strip:

- Astragal weather strip is a bulb shaped made of polypropylene material, formulated to be UV resistance and has a low COE.

Egress and Vent Openings

CN	Clear Opening Width		Clear Opening Height		Egress Opening			Opening Vent Width		Opening Vent Height		Vent Opening	
	ft - in	mm	ft - in	mm	ft ²	mm ²	E	ft - in	mm	ft - in	mm	ft ²	mm ²
4032	2-0 7/8	(632)	2-2	(661)	4.49	(0.42)		2-11 1/32	(889)	2-2	(661)	6.33	(0.59)
4036	2-0 7/8	(632)	2-6	(762)	5.18	(0.48)		2-11 1/32	(889)	2-6	(762)	7.30	(0.68)
4040	2-0 7/8	(632)	2-10	(864)	5.87	(0.55)	E	2-11 1/32	(889)	2-10	(864)	8.27	(0.77)
4044	2-0 7/8	(632)	3-2	(965)	6.56	(0.61)	E	2-11 1/32	(889)	3-2	(965)	9.24	(0.86)
4048	2-0 7/8	(632)	3-6	(1067)	7.26	(0.67)	E	2-11 1/32	(889)	3-6	(1067)	10.22	(0.95)
4054	2-0 7/8	(632)	4-0	(1219)	8.29	(0.77)	E	2-11 1/32	(889)	4-0	(1219)	11.67	(1.08)
4056	2-0 7/8	(632)	4-2	(1270)	8.64	(0.80)	E	2-11 1/32	(889)	4-2	(1270)	12.16	(1.13)
4060	2-0 7/8	(632)	4-6	(1372)	9.33	(0.87)	E	2-11 1/32	(889)	4-6	(1372)	13.13	(1.22)
4064	2-0 7/8	(632)	4-10	(1473)	10.02	(0.93)	E	2-11 1/32	(889)	4-10	(1473)	14.11	(1.31)
4072 T	2-0 7/8	(632)	5-6	(1677)	11.40	(1.06)	E	2-11 1/32	(889)	5-6	(1677)	16.05	(1.49)
4832	2-10 15/16	(888)	2-2	(661)	6.31	(0.59)	E	3-7 1/32	(1093)	2-2	(661)	7.77	(0.72)
4836	2-10 15/16	(888)	2-6	(762)	7.28	(0.68)	E	3-7 1/32	(1093)	2-6	(762)	8.96	(0.83)
4840	2-10 15/16	(888)	2-10	(864)	8.25	(0.77)	E	3-7 1/32	(1093)	2-10	(864)	10.16	(0.94)
4844	2-10 15/16	(888)	3-2	(965)	9.22	(0.86)	E	3-7 1/32	(1093)	3-2	(965)	11.35	(1.05)
4848	2-10 15/16	(888)	3-6	(1067)	10.19	(0.95)	E	3-7 1/32	(1093)	3-6	(1067)	12.55	(1.17)
4854	2-10 15/16	(888)	4-0	(1219)	11.65	(1.08)	E	3-7 1/32	(1093)	4-0	(1219)	14.34	(1.33)
4856	2-10 15/16	(888)	4-2	(1270)	12.13	(1.13)	E	3-7 1/32	(1093)	4-2	(1270)	14.94	(1.39)
4860	2-10 15/16	(888)	4-6	(1372)	13.10	(1.22)	E	3-7 1/32	(1093)	4-6	(1372)	16.13	(1.50)
4864	2-10 15/16	(888)	4-10	(1473)	14.07	(1.31)	E	3-7 1/32	(1093)	4-10	(1473)	17.33	(1.61)
4872 T	2-10 15/16	(888)	5-6	(1677)	16.01	(1.49)	E	3-7 1/32	(1093)	5-6	(1677)	19.72	(1.83)
5632	3-6 15/16	(1091)	2-2	(661)	7.75	(0.72)	E	4-3 1/32	(1296)	2-2	(661)	9.22	(0.86)
5636	3-6 15/16	(1091)	2-6	(762)	8.95	(0.83)	E	4-3 1/32	(1296)	2-6	(762)	10.63	(0.99)
5640	3-6 15/16	(1091)	2-10	(864)	10.14	(0.94)	E	4-3 1/32	(1296)	2-10	(864)	12.05	(1.12)
5644	3-6 15/16	(1091)	3-2	(965)	11.33	(1.05)	E	4-3 1/32	(1296)	3-2	(965)	13.47	(1.25)
5648	3-6 15/16	(1091)	3-6	(1067)	12.52	(1.16)	E	4-3 1/32	(1296)	3-6	(1067)	14.88	(1.38)
5654	3-6 15/16	(1091)	4-0	(1219)	14.31	(1.33)	E	4-3 1/32	(1296)	4-0	(1219)	17.01	(1.58)
5656	3-6 15/16	(1091)	4-2	(1270)	14.91	(1.39)	E	4-3 1/32	(1296)	4-2	(1270)	17.72	(1.65)
5660	3-6 15/16	(1091)	4-6	(1372)	16.10	(1.50)	E	4-3 1/32	(1296)	4-6	(1372)	19.13	(1.78)
5664	3-6 15/16	(1091)	4-10	(1473)	17.29	(1.61)	E	4-3 1/32	(1296)	4-10	(1473)	20.55	(1.91)
5672 T	3-6 15/16	(1091)	5-6	(1677)	19.68	(1.83)	E	4-3 1/32	(1296)	5-6	(1677)	23.39	(2.17)
6032	3-10 15/16	(1192)	2-2	(661)	8.47	(0.79)	E	4-7 1/32	(1397)	2-2	(661)	9.94	(0.92)
6036	3-10 15/16	(1192)	2-6	(762)	9.78	(0.91)	E	4-7 1/32	(1397)	2-6	(762)	11.47	(1.07)
6040	3-10 15/16	(1192)	2-10	(864)	11.08	(1.03)	E	4-7 1/32	(1397)	2-10	(864)	12.99	(1.21)
6044	3-10 15/16	(1192)	3-2	(965)	12.39	(1.15)	E	4-7 1/32	(1397)	3-2	(965)	14.52	(1.35)
6048	3-10 15/16	(1192)	3-6	(1067)	13.69	(1.27)	E	4-7 1/32	(1397)	3-6	(1067)	16.05	(1.49)
6054	3-10 15/16	(1192)	4-0	(1219)	15.65	(1.45)	E	4-7 1/32	(1397)	4-0	(1219)	18.34	(1.70)
6056	3-10 15/16	(1192)	4-2	(1270)	16.30	(1.51)	E	4-7 1/32	(1397)	4-2	(1270)	19.11	(1.78)
6060	3-10 15/16	(1192)	4-6	(1372)	17.60	(1.64)	E	4-7 1/32	(1397)	4-6	(1372)	20.64	(1.92)
6064 T	3-10 15/16	(1192)	4-10	(1473)	18.91	(1.76)	E	4-7 1/32	(1397)	4-10	(1473)	22.16	(2.06)
6072 T	3-10 15/16	(1192)	5-6	(1677)	21.51	(2.00)	E	4-7 1/32	(1397)	5-6	(1677)	25.22	(2.34)

Daylight Measurements

Wood Ultimate Awning Daylight Measurements			Width								
			CN	40		48		56		60	
			DLO	2-10 7/32	(869)	3-6 7/32	(1072)	4-2 7/32	(1275)	4-6 7/32	(1377)
CN	DLO Height	Square Feet (Square Meters)									
		Standard Bottom Rail									
32	2-1 5/16 (643)	6.01	(0.56)	7.42	(0.69)	8.83	(0.82)	9.53	(0.89)		
36	2-5 5/16 (745)	6.96	(0.65)	8.59	(0.80)	10.22	(0.95)	11.03	(1.03)		
40	2-9 5/16 (846)	7.91	(0.74)	9.76	(0.91)	11.61	(1.08)	12.54	(1.17)		
44	3-1 5/16 (948)	8.86	(0.82)	10.94	(1.02)	13.01	(1.21)	14.05	(1.30)		
48	3-5 5/16 (1049)	9.81	(0.91)	12.11	(1.12)	14.40	(1.34)	15.55	(1.44)		
54	3-11 5/16 (1202)	11.24	(1.04)	13.87	(1.29)	16.50	(1.53)	17.81	(1.65)		
56	4-1 5/16 (1253)	11.71	(1.09)	14.45	(1.34)	17.19	(1.60)	18.56	(1.72)		
60	4-5 5/16 (1354)	12.66	(1.18)	15.63	(1.45)	18.59	(1.73)	20.07	(1.86)		
64	4-9 5/16 (1456)	13.61	(1.26)	16.80	(1.56)	19.98	(1.86)	21.57	(2.00)		
72	5-5 5/16 (1659)	15.52	(1.44)	19.14	(1.78)	22.77	(2.12)	24.59	(2.28)		
		Tall Bottom Rail									
32	1-11 13/16 (605)	5.66	(0.53)	6.98	(0.65)	8.30	(0.77)	8.96	(0.83)		
36	2-3 13/16 (706)	6.61	(0.61)	8.15	(0.76)	9.70	(0.90)	10.47	(0.97)		
40	2-7 13/16 (808)	7.56	(0.70)	9.32	(0.87)	11.09	(1.03)	11.98	(1.11)		
44	2-11 13/16 (910)	8.51	(0.79)	10.50	(0.98)	12.49	(1.16)	13.48	(1.25)		
48	3-3 13/16 (1011)	9.46	(0.88)	11.67	(1.08)	13.88	(1.29)	14.99	(1.39)		
54	3-9 13/16 (1164)	10.88	(1.01)	13.43	(1.25)	15.97	(1.48)	17.25	(1.60)		
56	3-11 13/16 (1214)	11.36	(1.06)	14.01	(1.30)	16.67	(1.55)	18.0	(1.67)		
60	4-3 13/16 (1316)	12.31	(1.14)	15.19	(1.41)	18.07	(1.68)	19.50	(1.81)		
64	4-7 13/16 (1418)	13.26	(1.23)	16.36	(1.52)	19.46	(1.81)	21.01	(1.95)		
72	5-3 13/16 (1621)	15.16	(1.41)	18.70	(1.74)	22.25	(2.07)	24.02	(2.23)		

Minimum and Maximum Guidelines, Certified Sizes and Rating

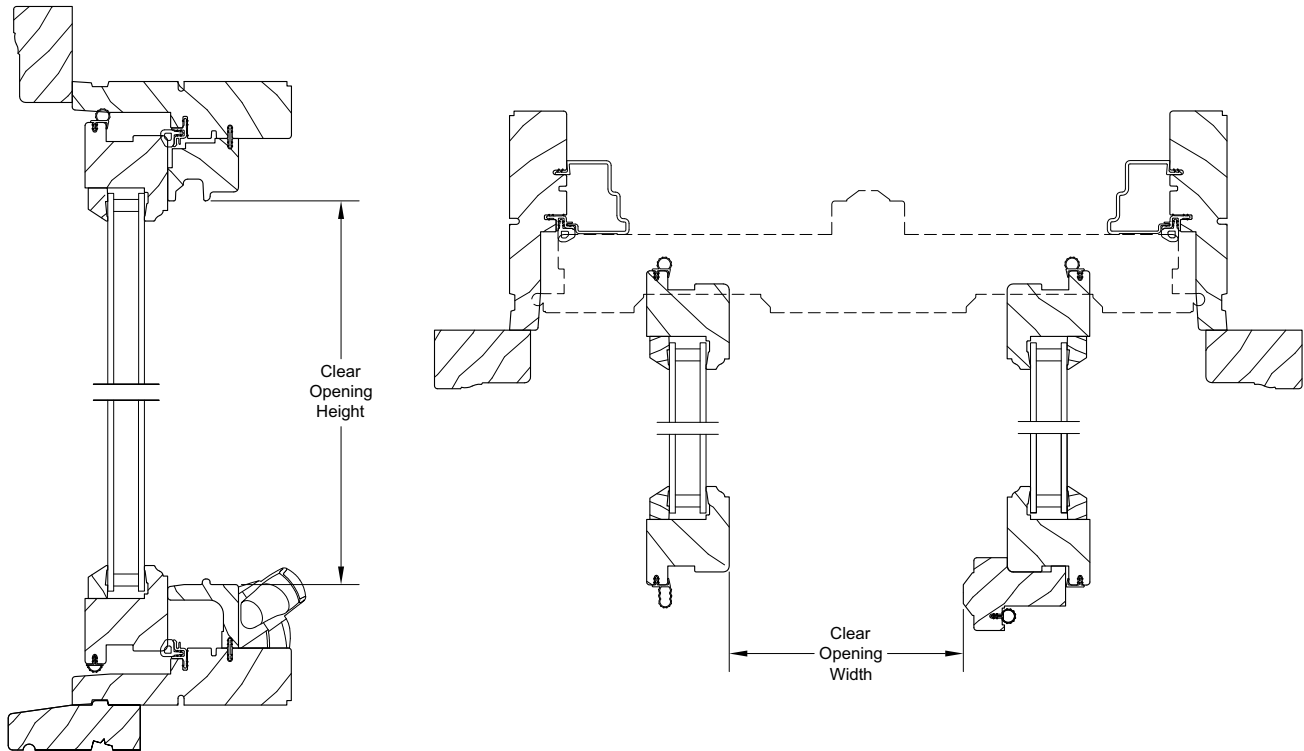
Full Frame Minimum and Maximum Frame Size, Certified, CE Marked								
Unit Type	Min Width		Min Height		Max Width		Max Height	
	in	mm	in	mm	in	mm	in	mm
WUFCA	40	(1016)	21	(533)	60	(1524)	72 1/16	(1830)

Full Frame Minimum and Maximum Frame Size, Non-Certified, CE Marked								
Unit Type	Min Width		Min Height		Max Width		Max Height	
	in	mm	in	mm	in	mm	in	mm
WUFCA	40	(1016)	21	(533)	72	(1829)	84	(2134)

Certified Sizes and Ratings								
Product	Air Tested to psf	Water Tested to psf	Structural Overload Tested to psf	Certification Rating	Max Width In	Max Height In	Max Width mm	Max Height mm
Wood Ultimate French Casement SG & 3/4" (Full Frame)	1.57	7.5	60	LC-PG40	56	59.12	1422	1502
Wood Ultimate French Casement SG & 3/4" (Full Frame)	1.57	7.5	45	LC-PG30	60	72.06	1524	1830

Conversion Table

Unit Measurements		Width			Height	
From	To	in	mm		in	mm
Rough Opening		in	mm		in	mm
OM of Frame	Rough Opening	+ 1	(25)		+ 1/2	(13)
Masonry Opening w/BMC	Rough Opening	-2 5/8	(67)		-1 5/16	(33)
Sash		in	mm		in	mm
OM of Frame	OM of Sash	-1 15/16	(49)	÷ 2	-2 9/16	(65)
Daylight Opening (Std Btm Rail)	OM of Sash	+ 4 1/8	(104)		+ 4 1/8	(104)
Daylight Opening (Tall Btm Rail)	OM of Sash	+ 4 1/8	(104)		+ 5 19/32	(142)
Glass		in	mm		in	mm
Daylight Opening	Glass	+ 1 3/32	(28)		+ 1 3/32	(28)
Screen		in	mm		in	mm
OM of Frame	OM of Screen	-4 9/32	(109)		-5 25/32	(147)
Daylight Opening (Std Btm Rail)	OM of Screen	+ 6 1/32	(153)		+ 15/16	(24)
Daylight Opening (Tall Btm Rail)	OM of Screen	+ 6 1/32	(153)		+ 2 7/16	(62)



Standard Unit Measurements

Standard Ultimate French Casement Unit Measurements								
Width								
CN	Masonry Opening		Rough Opening		Frame Size		Daylight Opening	
	ft - in	mm	ft - in	mm	ft - in	mm	ft - in	mm
40	3-7 5/8	(1108)	3-5	(1041)	3-4	(1016)	2-10 7/32	(869)
48	4-3 5/8	(1311)	4-1	(1245)	4-0	(1219)	3-6 7/32	(1072)
56	4-11 5/8	(1514)	4-9	(1448)	4-8	(1422)	4-2 7/32	(1275)
60	5-3 5/8	(1616)	5-1	(1549)	5-0	(1524)	4-6 7/32	(1377)

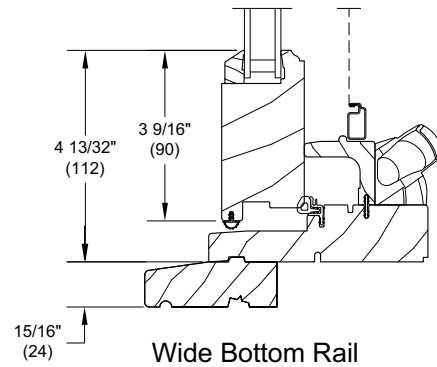
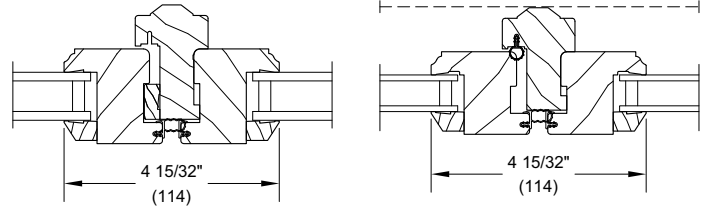
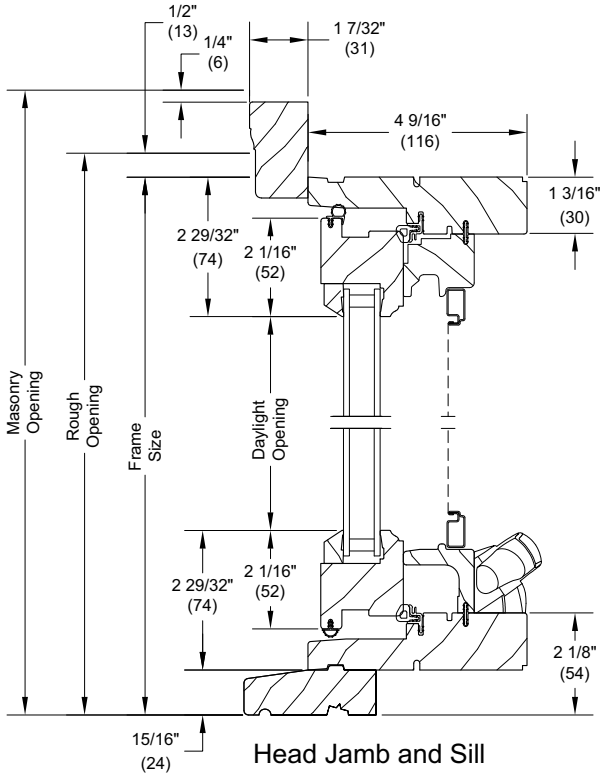
Standard Ultimate French Casement Unit Measurements										
Height										
CN	Masonry Opening		Rough Opening		Frame Size (with subsill)		Daylight Opening (Std Bottom Rail)		Daylight Opening (Tall Bottom Rail)	
	ft - in	mm	ft - in	mm	ft - in	mm	ft - in	mm	ft - in	mm
32	2-9 7/8	(860)	2-8 9/16	(827)	2-8 1/16	(814)	2-1 5/16	(643)	1-11 13/16	(605)
36	3-1 7/8	(962)	3-0 9/16	(929)	3-0 1/16	(916)	2-5 5/16	(745)	2-3 13/16	(706)
40	3-5 7/8	(1064)	3-4 9/16	(1030)	3-4 1/16	(1018)	2-9 5/16	(846)	2-7 13/16	(808)
44	3-9 7/8	(1165)	3-8 9/16	(1132)	3-8 1/16	(1119)	3-1 5/16	(948)	2-11 13/16	(910)
48	4-1 7/8	(1267)	4-0 9/16	(1233)	4-0 1/16	(1221)	3-5 5/16	(1049)	3-3 13/16	(1011)
54	4-7 7/8	(1419)	4-6 9/16	(1386)	4-6 1/16	(1373)	3-11 5/16	(1202)	3-9 13/16	(1164)
56	4-9 7/8	(1470)	4-8 9/16	(1437)	4-8 1/16	(1424)	4-1 5/16	(1253)	3-11 13/16	(1214)
60	5-1 7/8	(1572)	5-0 9/16	(1538)	5-0 1/16	(1526)	4-5 5/16	(1354)	4-3 13/16	(1316)
64	5-5 7/8	(1673)	5-4 9/16	(1640)	5-4 1/16	(1627)	4-9 5/16	(1456)	4-7 13/16	(1418)
72	6-1 7/8	(1876)	6-0 9/16	(1843)	6-0 1/16	(1830)	5-5 5/16	(1659)	5-3 13/16	(1621)

Wood Ultimate French Casement Crank Out

Section Details: 3/4" IG Operator/Stationary Meeting Stiles

Scale: 3" = 1' 0"

Operating



Stationary

