

# Wood Ultimate Double Hung Magnum Round Top

Unit Features.....	1
Minimum and Maximum Guidelines and Certified Ratings.....	2
Measurement Conversions and Egress Clear Openings .....	3
Available Shapes.....	5
Section Details: Single Hung and Double Hung Operators.....	6
Section Details: 1 5/8" and 2" Transom.....	7
Section Details: 1 5/8" and 2" Picture.....	8
Section Details: Cedar Dress Option.....	9



# Wood Ultimate Double Hung Magnum Round Top

## Unit Features

Wood Ultimate Double Hung Magnum Round Top: WUDHMRT

Wood Ultimate Single Hung Magnum Round Top: WUSHMRT

Wood Ultimate Double Hung Magnum Round Top Picture: WUDHMRTTP

Wood Ultimate Double Hung Magnum Round Top Transom: WUDHMRTT

*NOTE: Wood Ultimate Double Hung Magnum Round Top Picture and Wood Ultimate Double Hung Magnum Round Top Transom with 2" sash are not available with CE mark.*

### Hardware:

- Balance system: Spiral balance system.
- Lock: High pressure zinc die-cast cam lock and keeper cam lock and keeper. Standard color: Satin Taupe.
  - Optional colors: White, Brass, Satin Chrome, Antique Brass, Bronze, Oil Rubbed Bronze, and Satin Nickel.
- Sash lift is optional-same color choices as lock.
- Optional window opening device - field applied.

### Optional Glass: WUDHMRTTP - 1" (25) glazing only

- Tripane Low E1 outer piece and Low E1 Argon inner piece
- Tripane Low E1 outer piece and Low E1 Krypton-Argon inner piece
- Tripane Low E2 outer piece and Low E2 Argon inner piece
- Tripane Low E2 outer piece and Low E2 Krypton-Argon inner piece
- Tripane Low E3 outer piece and Low E1 Argon inner piece
- Tripane Low E3 outer piece and Low E1 Krypton-Argon inner piece

### CE Mulling Options:

- Mullled assemblies up to 70 3/4" (1797) x 80 3/8" (2042) as 1H x multi-wide
- Mullled assemblies with 1" (25) LVL or 3/8" (10) aluminum mull reinforcement up to 124 7/8" (3172) x 100 3/8" (2550) as a multi-wide or multi-high assembly

# Wood Ultimate Double Hung Magnum Round Top

## Minimum and Maximum Guidelines and Certified Ratings

Minimum and Maximum Guidelines Rough Opening- Wood Ultimate Round Top Double Hung Magnum										
Unit Type		Minimum				Maximum				Max Glass
		Width		Height		Width		Height		
		in	mm	in	mm	in	mm	in	mm	Sq. Ft.
WURTDHM	DP35	26 3/8	(670)	49 1/2	(1257)	60 3/8	(1534)	120 7/8	(3070)	25
WURTDHM	DP50	26 3/8	(670)	49 1/2	(1257)	54 3/8	(1381)	111 7/8	(2842)	18
WURTDHMT	1 5/8" Sash	14 3/8	(365)	13 7/8	(352)	106	(2692)	60	(1524)	25
WURTDHMT	2" Sash	14 3/8	(365)	13 7/8	(352)	106	(2692)	60	(1524)	38
WURTDHMP	1 5/8" Sash	14 3/8	(365)	16 1/16	(408)	121	(3073)	129 1/2	(3289)	60
WURTDHMP	2" Sash	14 3/8	(365)	16 1/16	(408)	105	(2667)	105	(2667)	25
WURTDHMP	Single Glaze	14 3/8	(365)	16 1/16	(408)	105	(2667)	105	(2667)	50

Minimum and Maximum for CE Mark - WUDHMRT Operable, Transom and Picture								
Unit Type	Min Frame Size				Max Frame Size			
	Width		Height		Width		Height	
	in	mm	in	mm	in	mm	in	mm
<b>WUDHMRT</b>	26 3/8	(670)	49 1/2	(1257)	59 3/8	(1508)	120	(3048)
<b>WUDHMRTT - 1 5/8"</b>	14 3/8	(365)	13 7/8	(352)	79 3/8	(2016)	27 11/16	(703)

Standard Certified Sizes and Ratings						
Unit Type	Frame Height		Frame Width			
			in	mm	in	mm
	in	mm	53 3/8	(1356)	59 3/8	(1508)
WURTDHM	111 3/8	(2829)	LC-PG50-H		LC-PG35-H	
	121 3/8	(3083)	Not Rated		LC-PG35-H	

NOTE: Maximum sash weight: 130lbs

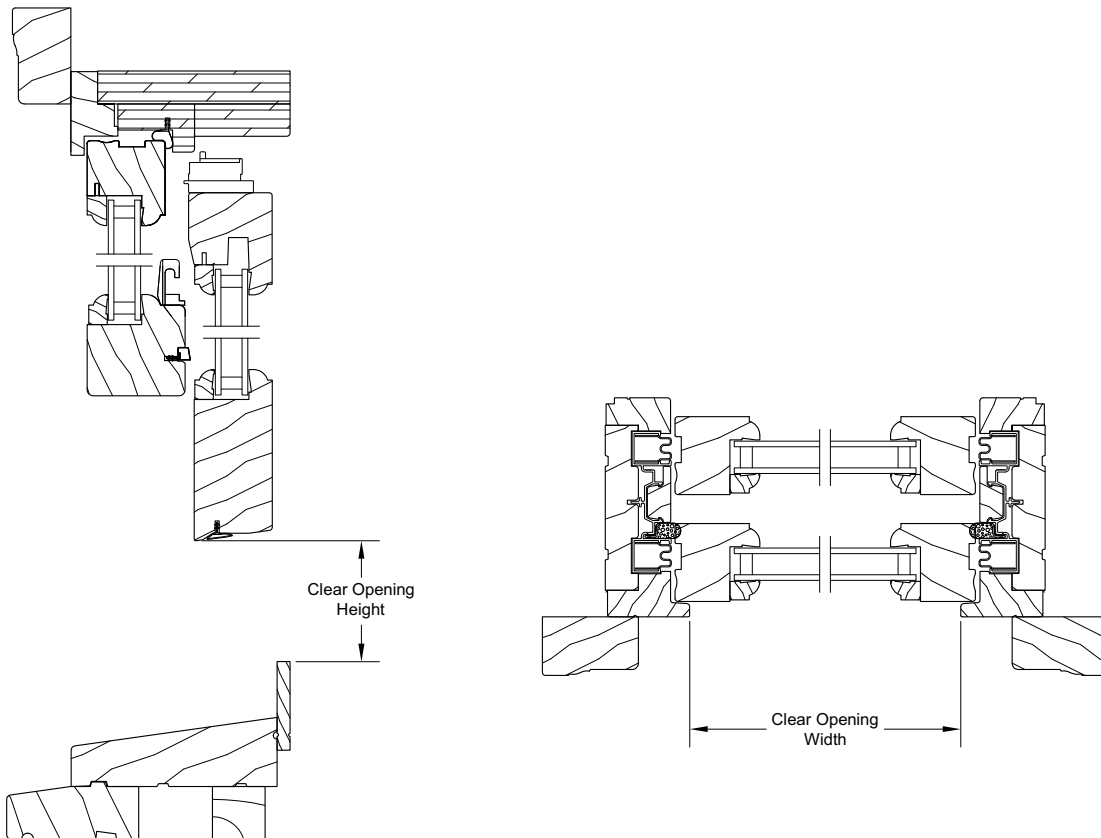
For CE ratings, please refer to CE Performance Section.

# Wood Ultimate Double Hung Magnum Round Top

## Measurement Conversions and Egress Clear Openings

Scale: 1 1/2" = 1' 0"

Egress Conversions		
Glass Size Width = 1 7/8" (48) = Egress Width		
Rough Opening Width - 4 1/2" (114) = Egress Width		
Glass Size Height	Rough Opening Height	Egress Height
20" (508) to less than 28" (711)	48 7/8" (1241) to less than 64 7/8" (1648)	16 1/2" (419)
28" (711) to less than 38" (965)	64 7/8" (1648) to less than 84 7/8" (2156)	24 1/2" (622)
38" (965) to less than 49" (1245)	84 7/8" (2156) to less than 106 7/8" (2715)	34 1/2" (876)
49" (1245) to less than 60" (1524)	106 7/8" (2715) to less than 128 7/8" (3273)	45 1/2" (1156)



**Measurement Conversions**

Wood Ultimate Round Top Double Hung Magnum					
Unit Measurement		Width		Height	
From	To				
<b>Frame Size</b>		<b>in</b>	<b>mm</b>	<b>in</b>	<b>mm</b>
OM of Frame	Rough Opening	+ 1	(25)	+ 1/2	(13)
Masonry Opening w/BMC	Rough Opening	-2 1/8	(54)	-1 1/16	(27)
<b>Sash/Panel</b>		<b>in</b>	<b>mm</b>	<b>in</b>	<b>mm</b>
Glass	OM of Top Sash	+ 2 15/32	-(63)	+ 2 13/16	(71)
Glass	OM of Bottom Sash	+ 2 15/32	-(63)	+ 4 5/8	(117)
<b>Glass</b>		<b>in</b>	<b>mm</b>	<b>in</b>	<b>mm</b>
Daylight Opening	Glass	+ 1 1/16	(27)	+ 1 1/16	(27)
<b>Screen</b>		<b>in</b>	<b>mm</b>	<b>in</b>	<b>mm</b>
Rough Opening	OM of Screen	-3 1/16	(78)	+ 2 11/32	(60)
Daylight Opening	OM of Screen	+ 4 3/8	(111)	× 2 + 8 21/32	(220)
<b>Half Screen</b>		<b>in</b>	<b>mm</b>	<b>in</b>	<b>mm</b>
OM of Frame	OM of Screen	-2 1/16	(52)	+ 2 -3/16	(05)
Daylight Opening	OM of Screen	+ 4 3/8	(111)	DLO + 5 5/16	(135)

Wood Ultimate Round Top Double Hung Magnum Transom					
Unit Measurements		Width		Height	
From	To				
<b>Frame Size</b>		<b>in</b>	<b>mm</b>	<b>in</b>	<b>mm</b>
Frame Size	Rough Opening	+ 1	25	+ 1/2	13
Masonry Opening w/BMC	Frame Size	-3 1/8	79	-2 3/16	56
<b>Glass</b>		<b>in</b>	<b>mm</b>	<b>in</b>	<b>mm</b>
Daylight Opening	Glass	+ 1 1/16	27	+ 1 1/16	27

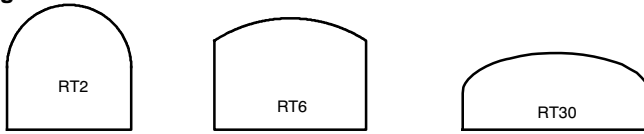
Wood Ultimate Round Top Double Hung Magnum Picture					
Unit Measurements		Width		Height	
From	To				
<b>Frame Size</b>		<b>in</b>	<b>mm</b>	<b>in</b>	<b>mm</b>
Frame Size	Rough Opening	+ 1	(25)	+ 1/2	(13)
Masonry Opening w/BMC	Frame Size	-3 1/8	(79)	-2 3/16	(56)
<b>Glass</b>		<b>in</b>	<b>mm</b>	<b>in</b>	<b>mm</b>
Daylight Opening	Glass	+ 1 3/16	(30)	+ 1 1/16	(27)

# Wood Ultimate Double Hung Magnum Round Top

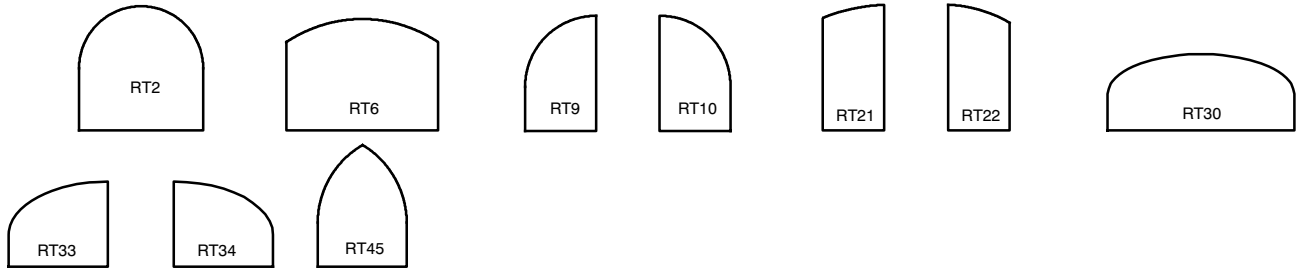
## Available Shapes

Subject to approval

### Double Hung



### Single Hung



### Transom and Picture

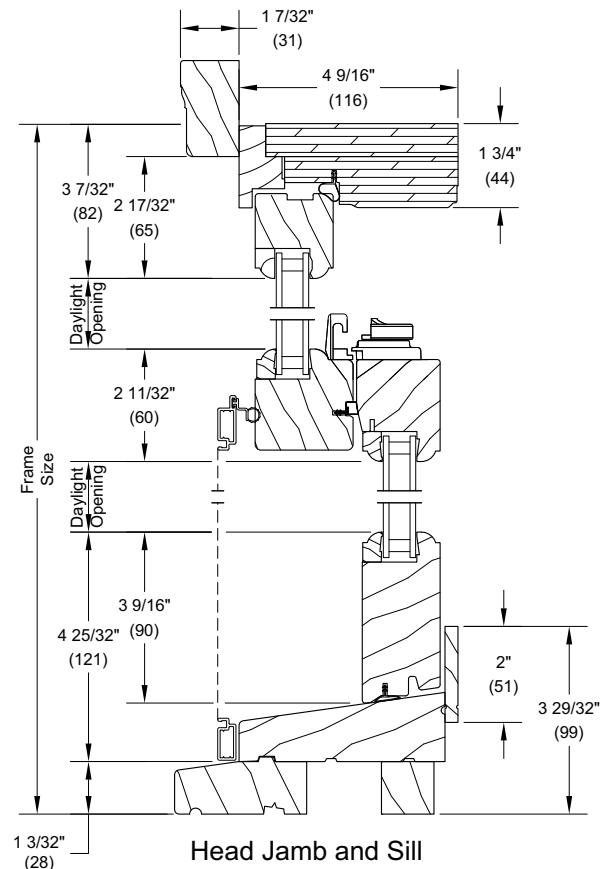
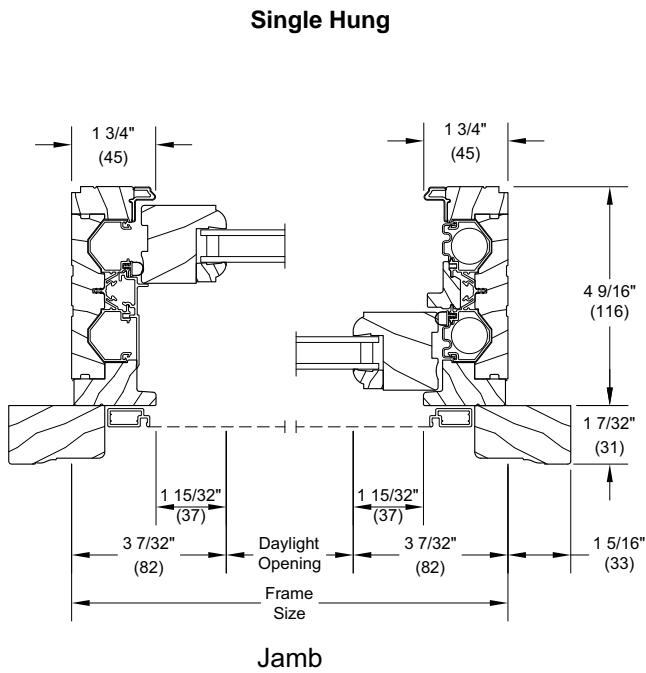
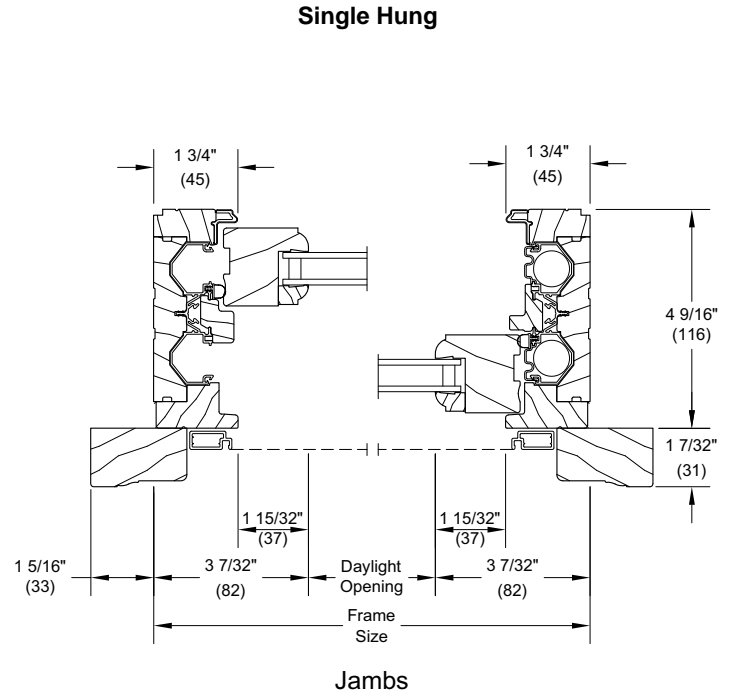
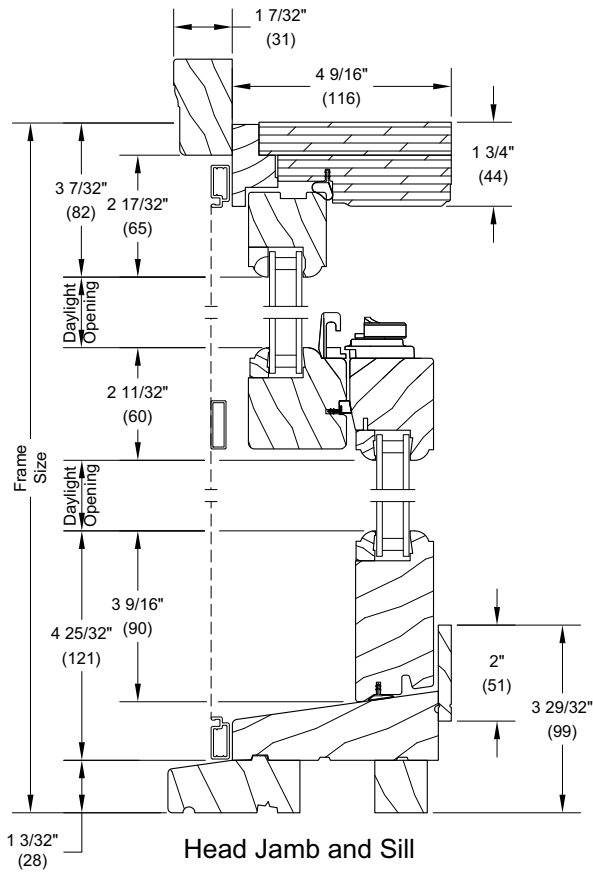
RT1	RT2	RT5*	RT6	RT7*	RT8*	RT9
RT10	RT15*	RT16*	RT17*	RT18*	RT19*	RT20*
RT21	RT22	RT23	RT24	RT25	RT26	RT29*
RT30	RT31*	RT32*	RT33	RT34	RT36*	RT37
RT38*	RT39*	RT40	RT41	RT42*	RT43*	RT44*
RT45	RT46	RT47*	RT48	RT49*	RT50	RT51
RT52	RT53	RT54*	RT55*	RT56*	RT57*	RT58*
RT59	RT60	RT61				

\* Shapes are available in both transoms and picture units, but have non-removable sash.

# Wood Ultimate Double Hung Magnum Round Top

## Section Details: Single Hung and Double Hung Operators

Scale: 3" = 1' 0"



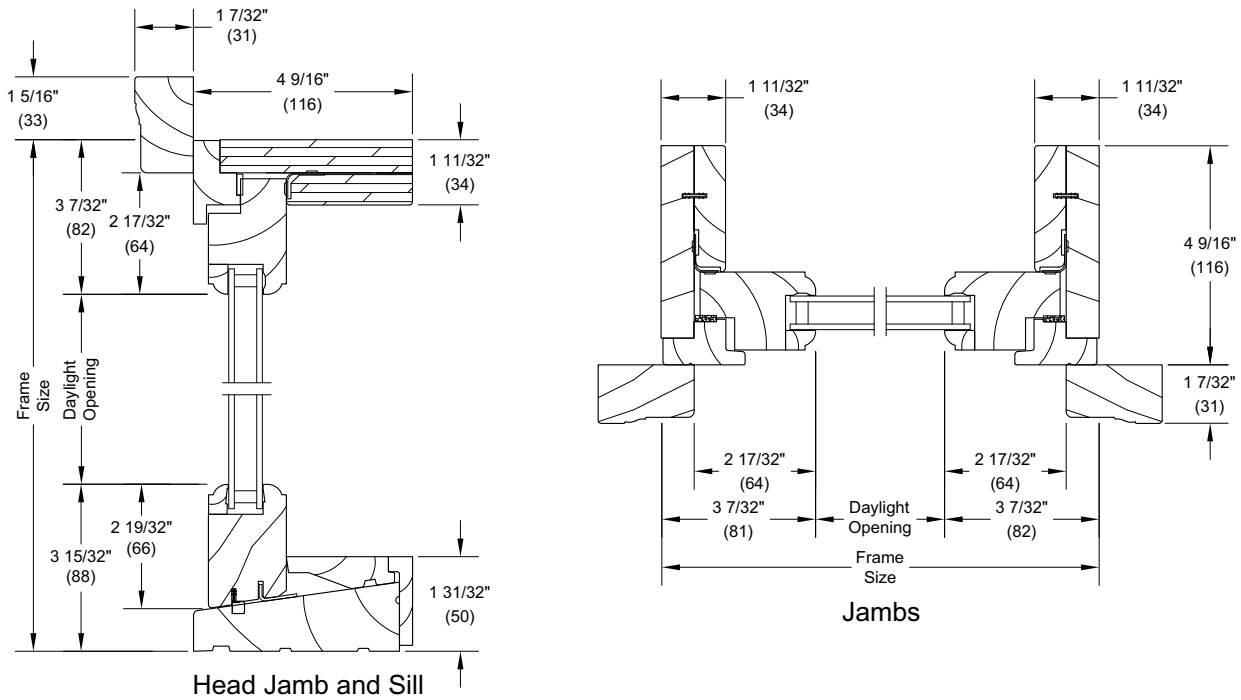


# Wood Ultimate Double Hung Magnum Round Top

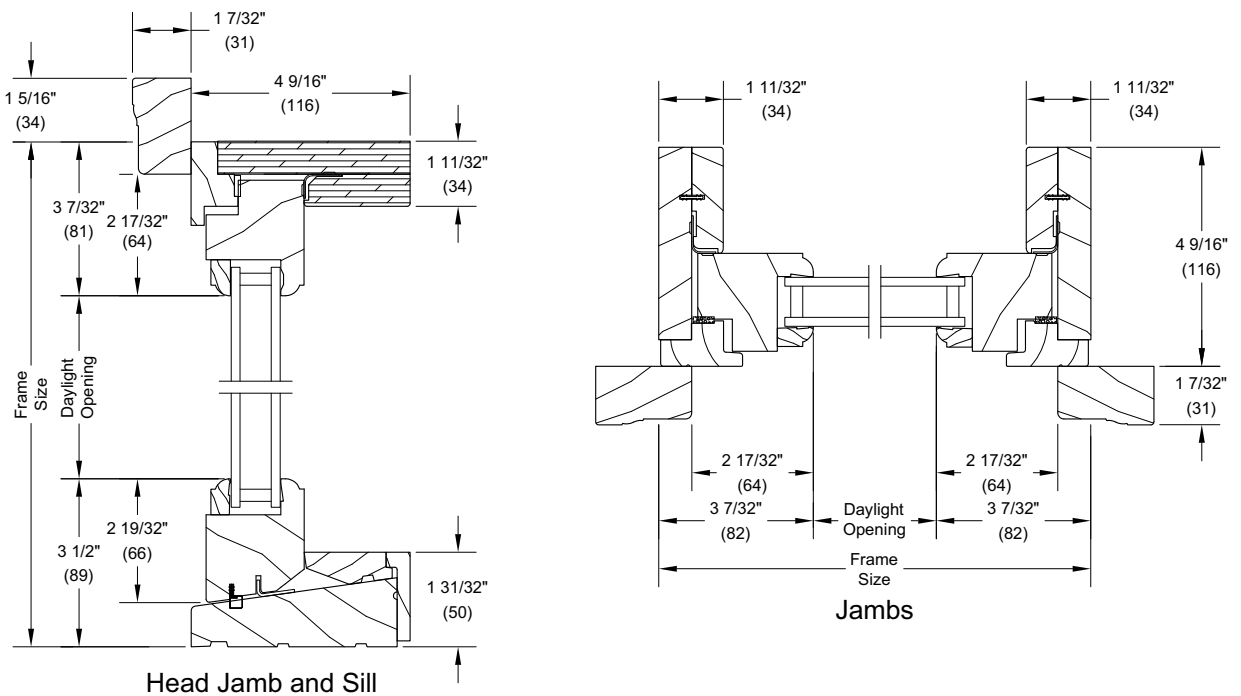
## Section Details: 1 5/8" and 2" Transom

Scale: 3" = 1' 0"

**Ultimate Double Hung Magnum Round Top  
1 5/8" In-Sash Transom**



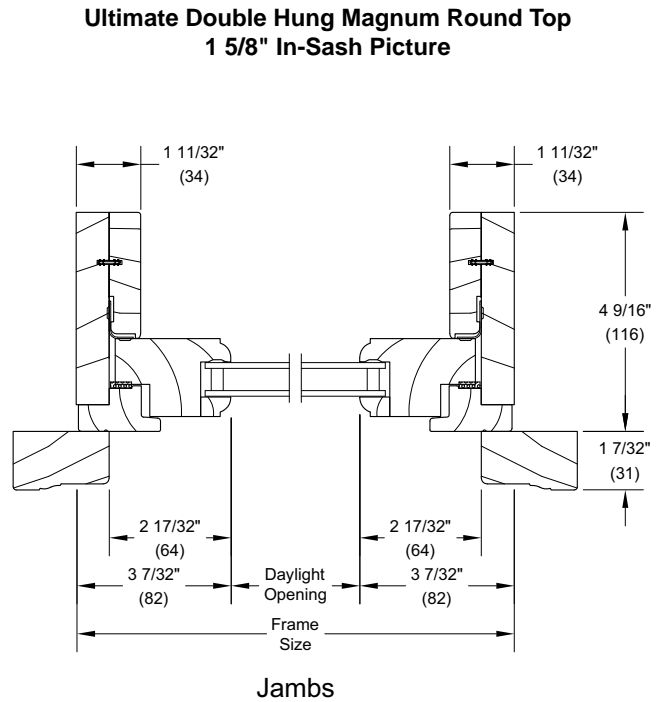
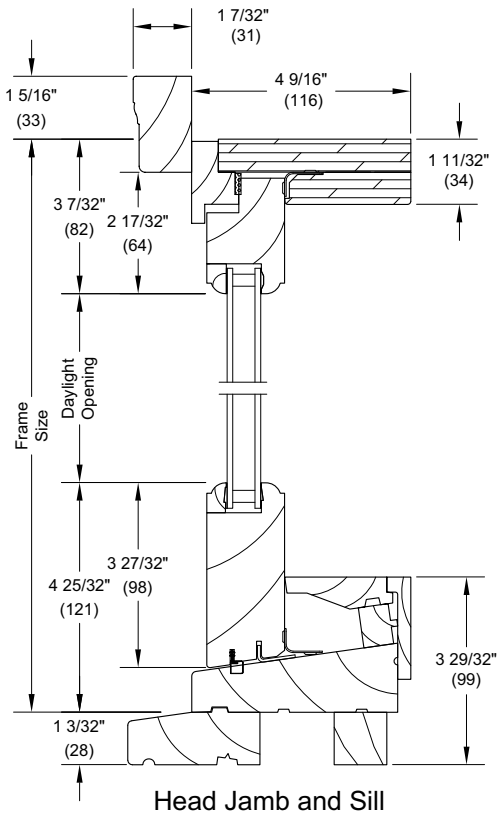
**Ultimate Double Hung Magnum Round Top  
2" In-Sash Transom**



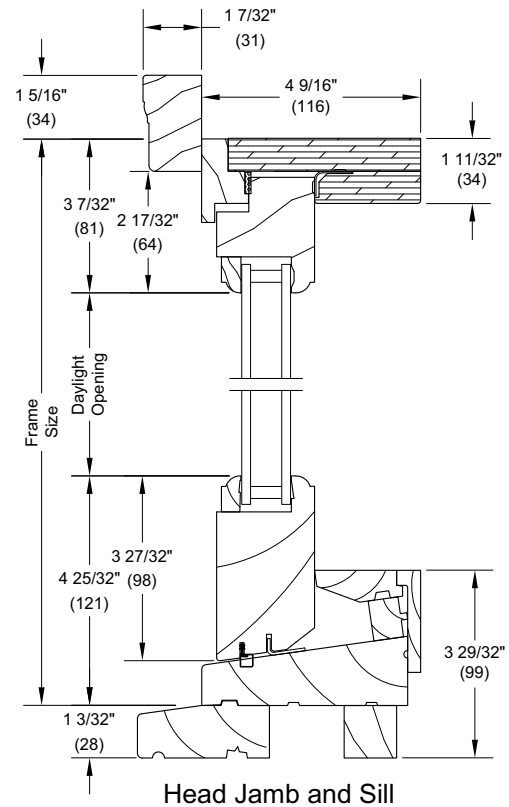
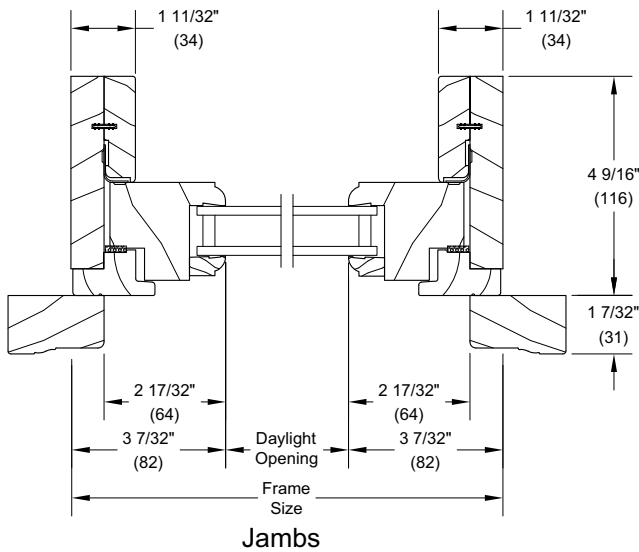
# Wood Ultimate Double Hung Magnum Round Top

## Section Details: 1 5/8" and 2" Picture

Scale: 3" = 1' 0"



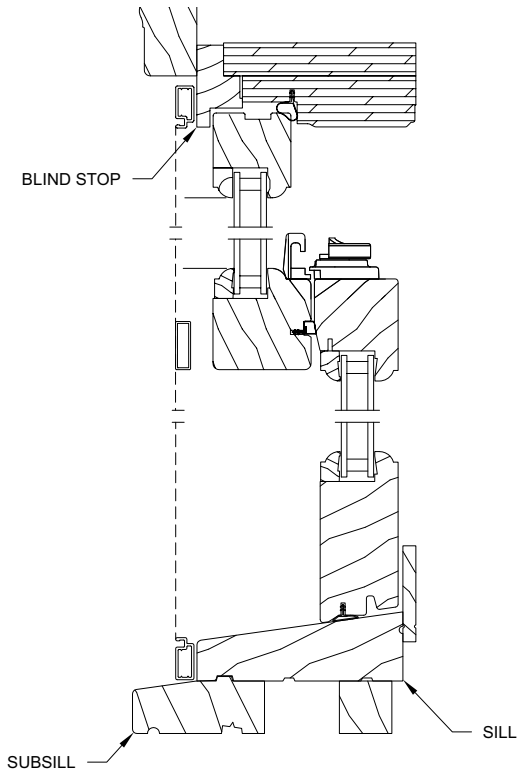
### Ultimate Double Hung Magnum Round Top 2" In-Sash Picture



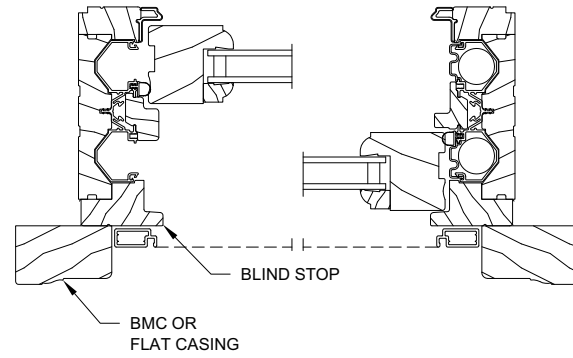
# Wood Ultimate Double Hung Magnum Round Top

## Section Details: Cedar Dress Option

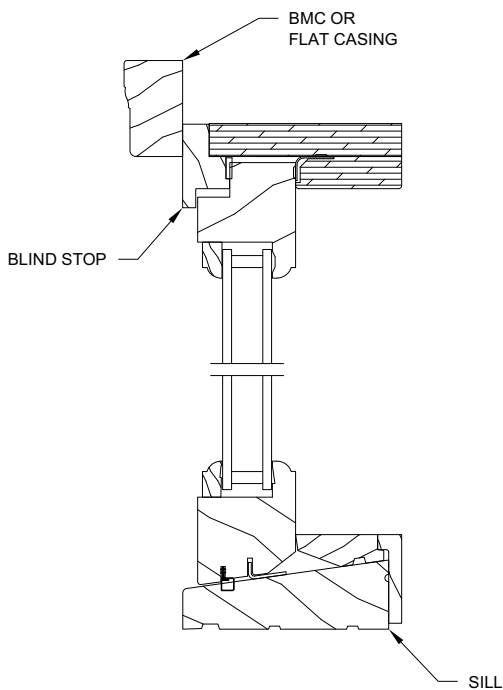
Scale: 3" = 1' 0"



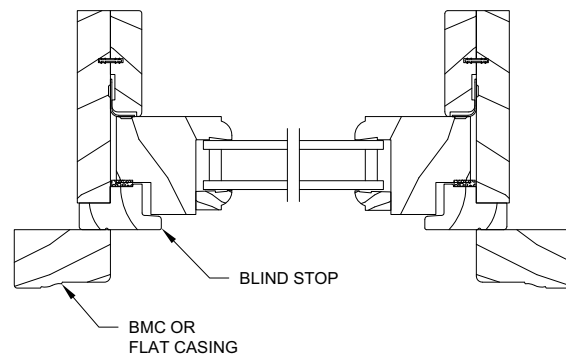
Head Jamb and Sill



Jambs



Head Jamb and Sill



Jambs