

# Wood Ultimate Casement and Push Out Casement Bow and Bay

- Unit Features..... 1
- Min and Max Sizing, Projection and Standard Heights for Bows and Bays ..... 2
- Standard Heights for Bows and Bays..... 3
- Measurement Conversions: WUCABB and WUPCABB ..... 4
- Bow Rough Opening and Projection - 3 Wide, 4 Wide, 5 Wide, 6 Wide ..... 5
- Section Details: Bow ..... 6
- Standard Width Call Number: WUCABB and WUPCABB-30° Bay..... 7
- Construction Details / Rough Opening and Projection Calculations: 30° Bay..... 8
- Standard Width Call Number: WUCABB and WUPCABB-45° Bay..... 9
- Construction Details / Rough Opening and Projection Calculations: 45° Bay..... 10
- Construction Details / Rough Opening and Projection Calculations: 60° Bay..... 11
- Construction Details / Rough Opening and Projection Calculations: 90° Bay..... 12



## Unit Features

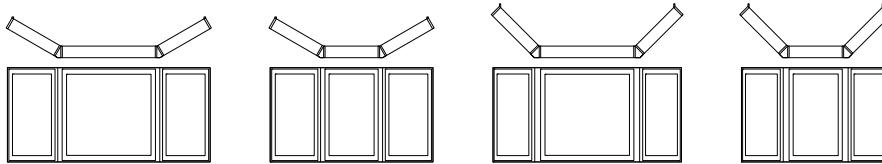
### Wood Ultimate Casement / Awning Bow and Bay - WUCABB

### Wood Ultimate Push Out Casement / Awning Bow and Bay - WUPCABB

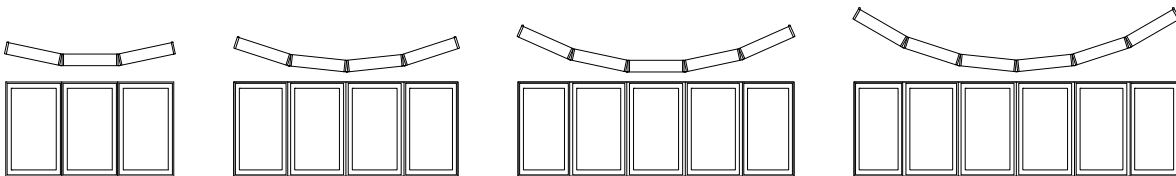
- 6 degree angle on Bows
- Laminated Pine wood or optional Douglas Fir head and seat boards installed
- Installation brackets are available in lieu of nailing fin
- Optional retro fit bay square jamb return for WUCABB and WUPCABB

Information concerning Daylight Opening, Egress Opening, and Vent Opening will be determined based on the individual components of the Bow or Bay.

### Bay standard operation as viewed from exterior.



### Bow standard operation as viewed from exterior.



*NOTE: Also see Wood Ultimate Casement Collection for more unit features.*

*Use of wood flat casing will change the Rough Opening and Projection. Contact your Marvin representative for further information.*

*Bows and bays are not available with CE mark from the factory. Bow and bay kits are available for field mulling.*

# Wood Ultimate Casement and Push Out Casement Bow and Bay

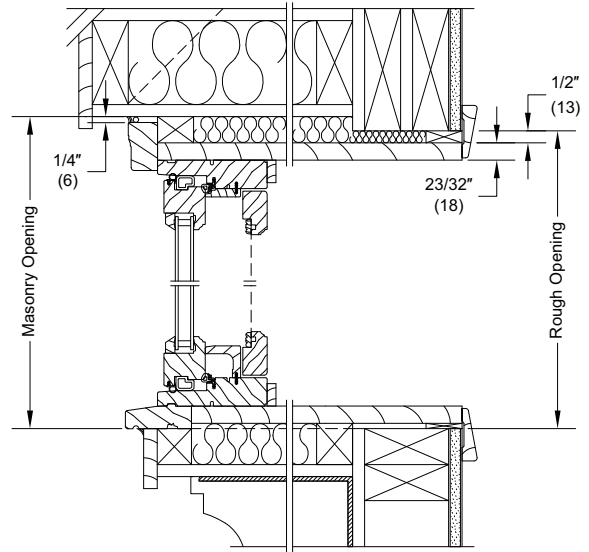
## Min and Max Sizing, Projection and Standard Heights for Bows and Bays

| Configuration     | Minimum and Maximum Rough Opening Guidelines |        |   |            |       |           |        |   |            |        |
|-------------------|--|--------|---|------------|-------|-----------|--------|---|------------|--------|
|                   | Min Width                                    |        | x | Min Height |       | Max Width |        | x | Max Height |        |
|                   | in   | mm     |   | in         | mm    | in        | mm     |   | in         | mm     |
| Bow - 3 Wide      | 50 1/16                                      | (1272) | x | 26         | (660) | 109 3/16  | (2773) | x | 74         | (1880) |
| Bow - 4 Wide      | 65 3/4                                       | (1670) | x | 26         | (660) | 143 19/32 | (3647) | x | 74         | (1880) |
| Bow - 5 Wide      | 80 11/16                                     | (2049) | x | 26         | (660) | 157 7/32  | (3993) | x | 74         | (1880) |
| Bow - 6 Wide      | 94 5/8                                       | (2403) | x | 26         | (660) | 162 1/8   | (4118) | x | 74         | (1880) |
| Special Angle Bow | 48   | (1219) | x | 26         | (660) | 162 1/8   | (4118) | x | 74         | (1880) |
| Bay - 30°         | 48 13/32                                     | (1230) | x | 26         | (660) | 139       | (3531) | x | 74         | (1880) |
| Bay - 45°         | 43 7/8                                       | (1114) | x | 26         | (660) | 128 5/32  | (3255) | x | 74         | (1880) |
| Bay - 60°         | 36 1/4                                       | (921)  | x | 26         | (660) | 112 1/4   | (2851) | x | 74         | (1880) |
| Bay - 90°         | 17 5/8                                       | (448)  | x | 26         | (660) | 73 5/8    | (1870) | x | 74         | (1880) |

| Configuration     | Projection Depth |       |          |        |
|-------------------|------------------|-------|----------|--------|
|                   | Minimum          |       | Maximum  |        |
|                   | in               | mm    | in       | mm     |
| Bow - 3 Wide      | 3 3/4            | (95)  | 7 29/32  | (201)  |
| Bow - 4 Wide      | 7 11/32          | (187) | 15 5/8   | (397)  |
| Bow - 5 Wide      | 10 7/8           | (276) | 20 11/16 | (525)  |
| Bow - 6 Wide      | 16 1/32          | (407) | 27       | (686)  |
| Special Angle Bow | 1/2              | (13)  | 42 1/16  | (1068) |
| Bay - 30°         | 9 3/8            | (238) | 19 3/8   | (492)  |
| Bay - 45°         | 12 21/32         | (321) | 26 13/16 | (681)  |
| Bay - 60°         | 17 1/2           | (445) | 34 13/16 | (884)  |
| Bay - 90°         | 22 1/16          | (560) | 42 1/16  | (1068) |

**Standard Heights for Bows and Bays**

| Call Number<br>Height | Rough Opening Height<br>(w/ head & seat boards) |        | Frame Size Height<br>(w/ head & seat boards) |        |
|-----------------------|---|--------|--|--------|
|                       | ft-in   | mm     | ft-in  | mm     |
| 24                    | 2-1   | (635)  | 2-0 1/2                                      | (622)  |
| 26                    | 2-3   | (686)  | 2-2 1/2                                      | (673)  |
| 28                    | 2-5   | (737)  | 2-4 1/2                                      | (724)  |
| 32                    | 2-9   | (838)  | 2-8 1/2                                      | (826)  |
| 36                    | 3-1   | (940)  | 3-0 1/2                                      | (927)  |
| 40                    | 3-5   | (1041) | 3-4 1/2                                      | (1029) |
| 44                    | 3-9   | (1143) | 3-8 1/2                                      | (1130) |
| 48                    | 4-1   | (1245) | 4-0 1/2                                      | (1232) |
| 54                    | 4-7   | (1397) | 4-6 1/2                                      | (1384) |
| 56                    | 4-9   | (1448) | 4-8 1/2                                      | (1435) |
| 60                    | 5-1   | (1549) | 5-0 1/2                                      | (1537) |
| 64                    | 5-5   | (1651) | 5-4 1/2                                      | (1638) |
| 72                    | 6-1   | (1854) | 6-0 1/2                                      | (1842) |



## Measurement Conversions: WUCABB and WUPCABB

| Unit Measurements              |   | Width     |           | Height    |           |
|--------------------------------|---|-----------|-----------|-----------|-----------|
| From                           | To                                      |           |           |           |           |
| <b>Rough Opening - 30° Bay</b> |   | <b>in</b> | <b>mm</b> | <b>in</b> | <b>mm</b> |
| Masonry Opening                | Rough Opening (w/ head and seat boards) | -4 5/16   | (110)     | + 1/2     | (13)      |
| <b>Rough Opening - 45° Bay</b> |   | <b>in</b> | <b>mm</b> | <b>in</b> | <b>mm</b> |
| Masonry Opening                | Rough Opening (w/ head and seat boards) | -4 5/8    | (117)     | + 1/2     | (13)      |
| <b>Rough Opening - 60° Bay</b> |   | <b>in</b> | <b>mm</b> | <b>in</b> | <b>mm</b> |
| Masonry Opening                | Rough Opening (w/ head and seat boards) | -7 15/16  | (202)     | + 1/2     | (13)      |
| <b>Rough Opening - 90° Bay</b> |   | <b>in</b> | <b>mm</b> | <b>in</b> | <b>mm</b> |
| Masonry Opening                | Rough Opening (w/ head and seat boards) | -10 7/16  | (265)     | + 1/2     | (13)      |
| <b>Rough Opening - 3W Bow</b>  |   | <b>in</b> | <b>mm</b> | <b>in</b> | <b>mm</b> |
| Masonry Opening                | Rough Opening (w/ head and seat boards) | -3 3/16   | (81)      | + 1/2     | (13)      |
| <b>Rough Opening - 4W Bow</b>  |   | <b>in</b> | <b>mm</b> | <b>in</b> | <b>mm</b> |
| Masonry Opening                | Rough Opening (w/ head and seat boards) | -3 9/16   | (90)      | + 1/2     | (13)      |
| <b>Rough Opening - 5W Bow</b>  |   | <b>in</b> | <b>mm</b> | <b>in</b> | <b>mm</b> |
| Masonry Opening                | Rough Opening (w/ head and seat boards) | -3 15/16  | (100)     | + 1/2     | (13)      |

*NOTE: if no head board, Deduct 11/16" (17) from Rough Opening Height*

*NOTE: If no seat board, Deduct 11/16" (17) from Rough Opening Height*

*NOTE: Wood Flat Casing will change Rough Opening and Projection. Contact your Marvin representative.*

# Wood Ultimate Casement and Push Out Casement Bow and Bay

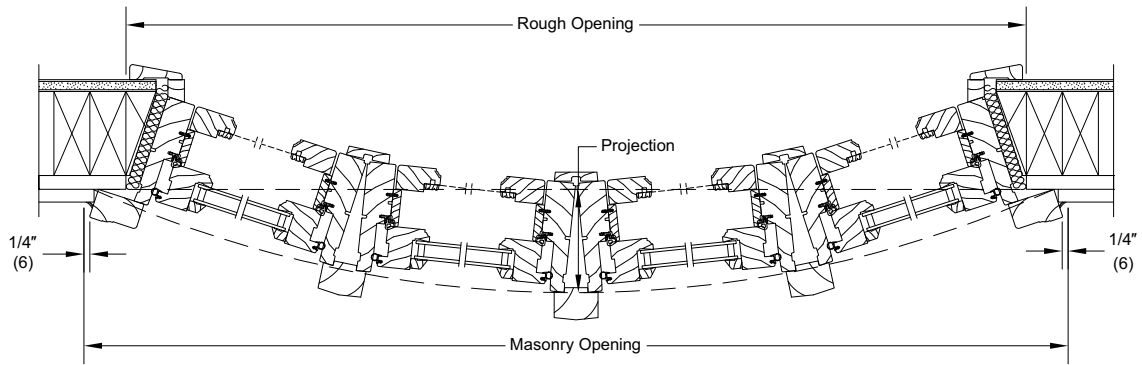
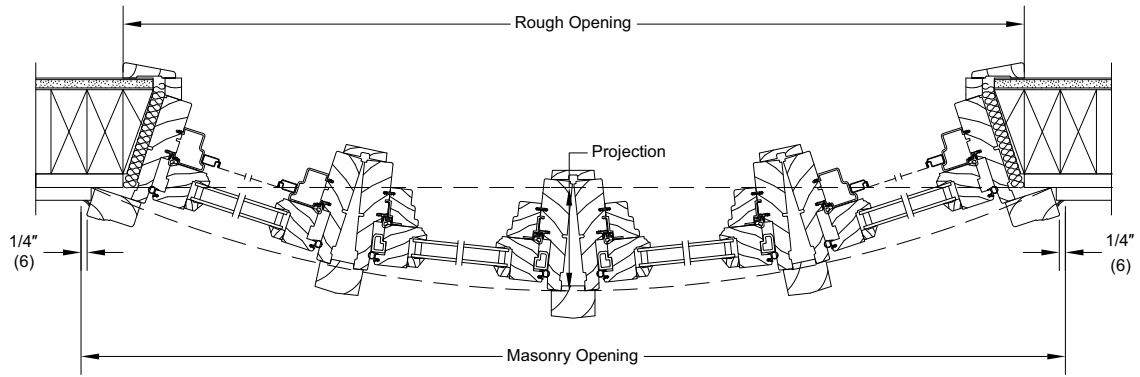
## Bow Rough Opening and Projection - 3 Wide, 4 Wide, 5 Wide, 6 Wide

| Call Number<br>(Width) | Number<br>Wide | Bow         |        |            |       |
|------------------------|----------------|-------------|--------|------------|-------|
|                        |                | RO          |        | Projection |       |
| 16                     | 3              | 4-2 1/16    | (1272) | 0-3 3/4    | (95)  |
| 16                     | 4              | 5-5 3/4     | (1670) | 0-7 11/32  | (187) |
| 16                     | 5              | 6-8 11/16   | (2049) | 0-10 7/8   | (276) |
| 16                     | 6              | 7-10 5/8    | (2403) | 1-4 1/32   | (407) |
| 18                     | 3              | 4-7 31/32   | (1422) | 0-4 11/64  | (106) |
| 18                     | 4              | 6-1 35/64   | (1868) | 0-8 11/64  | (208) |
| 18                     | 5              | 7-6 1/4     | (2292) | 1-0 3/32   | (307) |
| 18                     | 6              | 8-9 7/8     | (2689) | 1-5 55/64  | (454) |
| 20                     | 3              | 5-1 7/8     | (1572) | 0-4 9/16   | (116) |
| 20                     | 4              | 6-9 5/16    | (2065) | 0-9        | (229) |
| 20                     | 5              | 8-3 13/16   | (2535) | 1-1 5/16   | (338) |
| 20                     | 6              | 9-9 1/8     | (2975) | 1-7 11/16  | (500) |
| 24                     | 3              | 6-0 11/16   | (1846) | 0-5 7/16   | (138) |
| 24                     | 4              | 8-0 7/8     | (2461) | 0-10 21/32 | (271) |
| 24                     | 5              | 9-10 15/16  | (3021) | 1-3 25/32  | (401) |
| 24                     | 6              | 11-7 5/8    | (3546) | 1-11 11/32 | (593) |
| 26                     | 3              | 6-7 5/8     | (2022) | 0-5 53/64  | (148) |
| 26                     | 4              | 8-8 43/64   | (2659) | 0-11 31/64 | (292) |
| 26                     | 5              | 10-8 33/64  | (3264) | 1-5 1/64   | (432) |
| 26                     | 6              | 12-6 55/64  | (3832) | 2-1 11/64  | (639) |
| 28                     | 3              | 7-1 17/32   | (2172) | 0-6 1/4    | (159) |
| 28                     | 4              | 9-4 7/16    | (2856) | 1-3 5/16   | (389) |
| 28                     | 5              | 11-6 1/16   | (3507) | 1-6 1/4    | (464) |
| 28                     | 6              | 13-6 1/8    | (4118) | 2-3        | (686) |
| 30                     | 3              | 7-7 29/64   | (2323) | 0-6 21/32  | (169) |
| 30                     | 4              | 10-0 15/64  | (3054) | 1-1 9/64   | (334) |
| 30                     | 5              | 12-3 41/64  | (3750) | 1-7 15/32  | (495) |
| 32                     | 3              | 8-1 3/8     | (2473) | 0-7 1/16   | (179) |
| 32                     | 4              | 10-8        | (3251) | 1-1 31/32  | (355) |
| 32                     | 5              | 13-1 3/16   | (3993) | 1-8 11/16  | (525) |
| 36                     | 3              | 9-1 3/16    | (2773) | 0-7 29/32  | (201) |
| 36                     | 4              | 11-11 19/32 | (3647) | 1-3 5/8    | (397) |

NOTE: Wood Flat Casing will change Rough Opening and Projection. Contact your Marvin representative.

# Wood Ultimate Casement and Push Out Casement Bow and Bay

## Section Details: Bow



*NOTE: Use of wood flat casing will change Rough Opening and Projection. Contact your Marvin representative for further information.*



# Wood Ultimate Casement and Push Out Casement Bow and Bay

## Standard Width Call Number: WUCABB and WUPCABB-30° Bay

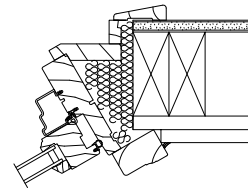
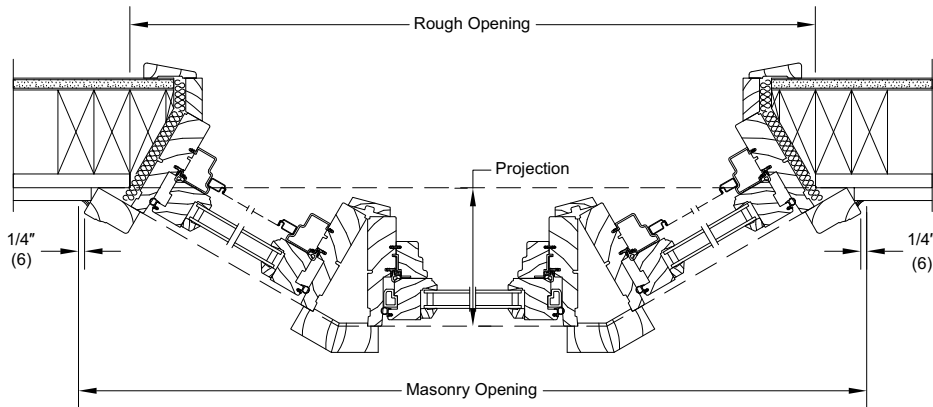
| Call Number (Width) |        |      | 30° Bay    |        |            |       |
|---------------------|--------|------|------------|--------|------------|-------|
| Side                | Center | Side | RO         |        | Projection |       |
| 16                  | 16     | 16   | 4-0 3/8    | (1229) | 0-9 25/64  | (239) |
| 16                  | 18     | 16   | 4-2 3/8    | (1279) | 0-9 25/64  | (239) |
| 16                  | 20     | 16   | 4-4 3/8    | (1330) | 0-9 25/64  | (239) |
| 16                  | 24     | 16   | 4-8 3/8    | (1432) | 0-9 25/64  | (239) |
| 16                  | 26     | 16   | 4-10 3/8   | (1483) | 0-9 25/64  | (239) |
| 16                  | 28     | 16   | 5-0 3/8    | (1533) | 0-9 25/64  | (239) |
| 16                  | 30     | 16   | 5-2 3/8    | (1584) | 0-9 25/64  | (239) |
| 16                  | 32     | 16   | 5-4 3/8    | (1635) | 0-9 25/64  | (239) |
| 16                  | 36     | 16   | 5-8 3/8    | (1737) | 0-9 25/64  | (239) |
| 16                  | 40     | 16   | 6-0 3/8    | (1838) | 0-9 25/64  | (239) |
| 16                  | 48     | 16   | 6-8 3/8    | (2041) | 0-9 25/64  | (239) |
| 16                  | 56     | 16   | 7-4 3/8    | (2245) | 0-9 25/64  | (239) |
| 16                  | 60     | 16   | 7-8 3/8    | (2346) | 0-9 25/64  | (239) |
| 16                  | 64     | 16   | 8-0 3/8    | (2448) | 0-9 25/64  | (239) |
| 16                  | 72     | 16   | 8-8 3/8    | (2651) | 0-9 25/64  | (239) |
| 18                  | 18     | 18   | 4-5 27/32  | (1367) | 0-10 25/64 | (264) |
| 18                  | 20     | 18   | 4-7 27/32  | (1418) | 0-10 25/64 | (264) |
| 18                  | 24     | 18   | 4-11 27/32 | (1520) | 0-10 25/64 | (264) |
| 18                  | 26     | 18   | 5-1 27/32  | (1571) | 0-10 25/64 | (264) |
| 18                  | 28     | 18   | 5-3 27/32  | (1621) | 0-10 25/64 | (264) |
| 18                  | 30     | 18   | 5-5 27/32  | (1672) | 0-10 25/64 | (264) |
| 18                  | 32     | 18   | 5-7 27/32  | (1723) | 0-10 25/64 | (264) |
| 18                  | 36     | 18   | 5-11 27/32 | (1825) | 0-10 25/64 | (264) |
| 18                  | 40     | 18   | 6-3 27/32  | (1926) | 0-10 25/64 | (264) |
| 18                  | 48     | 18   | 6-11 27/32 | (2129) | 0-10 25/64 | (264) |
| 18                  | 56     | 18   | 7-7 27/32  | (2333) | 0-10 25/64 | (264) |
| 18                  | 60     | 18   | 7-11 27/32 | (2434) | 0-10 25/64 | (264) |
| 18                  | 64     | 18   | 8-3 27/32  | (2536) | 0-10 25/64 | (264) |
| 18                  | 72     | 18   | 8-11 27/32 | (2739) | 0-10 25/64 | (264) |
| 20                  | 20     | 20   | 4-11 19/64 | (1506) | 0-11 25/64 | (289) |
| 20                  | 24     | 20   | 5-3 19/64  | (1608) | 0-11 25/64 | (289) |
| 20                  | 26     | 20   | 5-5 19/64  | (1659) | 0-11 25/64 | (289) |
| 20                  | 28     | 20   | 5-7 19/64  | (1709) | 0-11 25/64 | (289) |
| 20                  | 30     | 20   | 5-9 19/64  | (1760) | 0-11 25/64 | (289) |
| 20                  | 32     | 20   | 5-11 19/64 | (1811) | 0-11 25/64 | (289) |
| 20                  | 36     | 20   | 6-3 19/64  | (1913) | 0-11 25/64 | (289) |
| 20                  | 40     | 20   | 6-7 19/64  | (2014) | 0-11 25/64 | (289) |
| 20                  | 48     | 20   | 7-3 19/64  | (2217) | 0-11 25/64 | (289) |
| 20                  | 56     | 20   | 7-11 19/64 | (2421) | 0-11 25/64 | (289) |
| 20                  | 60     | 20   | 8-3 19/64  | (2522) | 0-11 25/64 | (289) |
| 20                  | 64     | 20   | 8-7 19/64  | (2624) | 0-11 25/64 | (289) |
| 20                  | 72     | 20   | 9-3 19/64  | (2827) | 0-11 25/64 | (289) |
| 24                  | 24     | 24   | 5-10 15/64 | (1784) | 1-1 25/64  | (340) |
| 24                  | 26     | 24   | 6-0 15/64  | (1835) | 1-1 25/64  | (340) |
| 24                  | 28     | 24   | 6-2 15/64  | (1885) | 1-1 25/64  | (340) |
| 24                  | 30     | 24   | 6-4 15/64  | (1936) | 1-1 25/64  | (340) |
| 24                  | 32     | 24   | 6-6 15/64  | (1987) | 1-1 25/64  | (340) |
| 24                  | 36     | 24   | 6-10 15/64 | (2089) | 1-1 25/64  | (340) |
| 24                  | 40     | 24   | 7-2 15/64  | (2190) | 1-1 25/64  | (340) |
| 24                  | 48     | 24   | 7-10 15/64 | (2393) | 1-1 25/64  | (340) |
| 24                  | 56     | 24   | 8-6 15/64  | (2597) | 1-1 25/64  | (340) |
| 24                  | 60     | 24   | 8-10 15/64 | (2698) | 1-1 25/64  | (340) |
| 24                  | 64     | 24   | 9-2 15/64  | (2800) | 1-1 25/64  | (340) |
| 24                  | 72     | 24   | 9-10 15/64 | (3003) | 1-1 25/64  | (340) |

| Call Number (Width) |        |      | 30° Bay    |        |            |       |
|---------------------|--------|------|------------|--------|------------|-------|
| Side                | Center | Side | RO         |        | Projection |       |
| 26                  | 26     | 26   | 6-3 11/16  | (1229) | 1-2 25/64  | (239) |
| 26                  | 28     | 26   | 6-5 11/16  | (1279) | 1-2 25/64  | (239) |
| 26                  | 30     | 26   | 6-7 11/16  | (1330) | 1-2 25/64  | (239) |
| 26                  | 32     | 26   | 6-9 11/16  | (1432) | 1-2 25/64  | (239) |
| 26                  | 36     | 26   | 7-1 11/16  | (1483) | 1-2 25/64  | (239) |
| 26                  | 40     | 26   | 7-5 11/16  | (1533) | 1-2 25/64  | (239) |
| 26                  | 48     | 26   | 8-1 11/16  | (1584) | 1-2 25/64  | (239) |
| 26                  | 56     | 26   | 8-9 11/16  | (1635) | 1-2 25/64  | (239) |
| 26                  | 60     | 26   | 9-1 11/16  | (1737) | 1-2 25/64  | (239) |
| 26                  | 64     | 26   | 9-5 11/16  | (1838) | 1-2 25/64  | (239) |
| 26                  | 72     | 26   | 10-1 11/16 | (2041) | 1-2 25/64  | (239) |
| 28                  | 28     | 28   | 6-9 5/32   | (2245) | 1-3 25/64  | (239) |
| 28                  | 30     | 28   | 6-11 5/32  | (2346) | 1-3 25/64  | (239) |
| 28                  | 32     | 28   | 7-1 5/32   | (2448) | 1-3 25/64  | (239) |
| 28                  | 36     | 28   | 7-5 5/32   | (2651) | 1-3 25/64  | (239) |
| 28                  | 40     | 28   | 7-9 5/32   | (1367) | 1-3 25/64  | (264) |
| 28                  | 48     | 28   | 8-5 5/32   | (1418) | 1-3 25/64  | (264) |
| 28                  | 56     | 28   | 9-1 5/32   | (1520) | 1-3 25/64  | (264) |
| 28                  | 60     | 28   | 9-5 5/32   | (1571) | 1-3 25/64  | (264) |
| 28                  | 64     | 28   | 9-9 5/32   | (1621) | 1-3 25/64  | (264) |
| 28                  | 72     | 28   | 10-5 5/32  | (1672) | 1-3 25/64  | (264) |
| 30                  | 30     | 30   | 7-2 5/8    | (1723) | 1-4 25/64  | (264) |
| 30                  | 32     | 30   | 7-4 5/8    | (1825) | 1-4 25/64  | (264) |
| 30                  | 36     | 30   | 7-8 5/8    | (1926) | 1-4 25/64  | (264) |
| 30                  | 40     | 30   | 8-0 5/8    | (2129) | 1-4 25/64  | (264) |
| 30                  | 48     | 30   | 8-8 5/8    | (2333) | 1-4 25/64  | (264) |
| 30                  | 56     | 30   | 9-4 5/8    | (2434) | 1-4 25/64  | (264) |
| 30                  | 60     | 30   | 9-8 5/8    | (2536) | 1-4 25/64  | (264) |
| 30                  | 64     | 30   | 10-0 5/8   | (2739) | 1-4 25/64  | (264) |
| 30                  | 72     | 30   | 10-8 5/8   | (1506) | 1-4 25/64  | (289) |
| 32                  | 32     | 32   | 7-8 5/64   | (1608) | 1-5 25/64  | (289) |
| 32                  | 36     | 32   | 8-0 5/64   | (1659) | 1-5 25/64  | (289) |
| 32                  | 40     | 32   | 8-4 5/64   | (1709) | 1-5 25/64  | (289) |
| 32                  | 48     | 32   | 9-0 5/64   | (1760) | 1-5 25/64  | (289) |
| 32                  | 56     | 32   | 9-8 5/64   | (1811) | 1-5 25/64  | (289) |
| 32                  | 60     | 32   | 10-0 5/64  | (1913) | 1-5 25/64  | (289) |
| 32                  | 64     | 32   | 10-4 5/64  | (2014) | 1-5 25/64  | (289) |
| 32                  | 72     | 32   | 11-0 5/64  | (2217) | 1-5 25/64  | (289) |
| 36                  | 36     | 36   | 8-7 1/64   | (2421) | 1-7 25/64  | (289) |
| 36                  | 40     | 36   | 8-11 1/64  | (2522) | 1-7 25/64  | (289) |
| 36                  | 48     | 36   | 9-7 1/64   | (2624) | 1-7 25/64  | (289) |
| 36                  | 56     | 36   | 10-3 1/64  | (2827) | 1-7 25/64  | (289) |
| 36                  | 60     | 36   | 10-7 1/64  | (1784) | 1-7 25/64  | (340) |
| 36                  | 64     | 36   | 10-11 1/64 | (1835) | 1-7 25/64  | (340) |
| 36                  | 72     | 36   | 11-7 1/64  | (1885) | 1-7 25/64  | (340) |

# Wood Ultimate Casement and Push Out Casement Bow and Bay

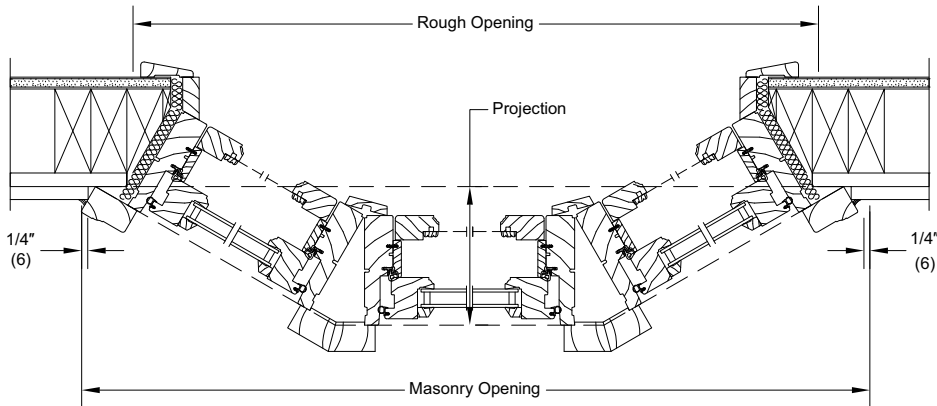
## Construction Details / Rough Opening and Projection Calculations: 30° Bay

### 30-Degree Bay - Wood Ultimate Casement



**Optional retro fit bay square jamb return for WUCA Bay.**

### 30-Degree Bay - Wood Ultimate Push Out Casement



| Wood Ultimate Casement Bay<br>Wood Ultimate Push Out Casement Bay |  |
|---|--|
| 30-Degree   |  |
| Projection  | OM <b>width</b> of flanker unit<br>PLUS 2.785 x 0.5                              |
| Rough Opening Width   | (Projection x 1.732-1.304) x 2 PLUS 2.445<br>PLUS OM <b>width</b> of Center Unit |
| Masonry Opening Unit  | Add 4 5/16" (110) to Rough Opening <b>width</b>                                  |
| Rough Opening Height<br>(with Head and Seat boards)               | OM height on center unit(s) PLUS 1 3/16" (30)                                    |
| Masonry Opening Height<br>(with Head and Seat boards)             | Rough Opening height ADD 11/16" (17)   |

*NOTE: If no head board, Deduct 11/16" (17) from Rough Opening Height.*

*NOTE: If no seat board, Deduct 11/16" (17) from Rough Opening Height.*

*NOTE: Use of Wood casing other than 2" (51) will change the Rough Opening and Projection. Contact your Marvin representative for further information.*

# Wood Ultimate Casement and Push Out Casement Bow and Bay

## Standard Width Call Number: WUCABB and WUPCABB-45° Bay

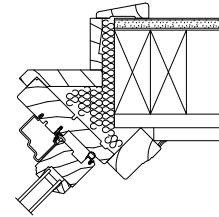
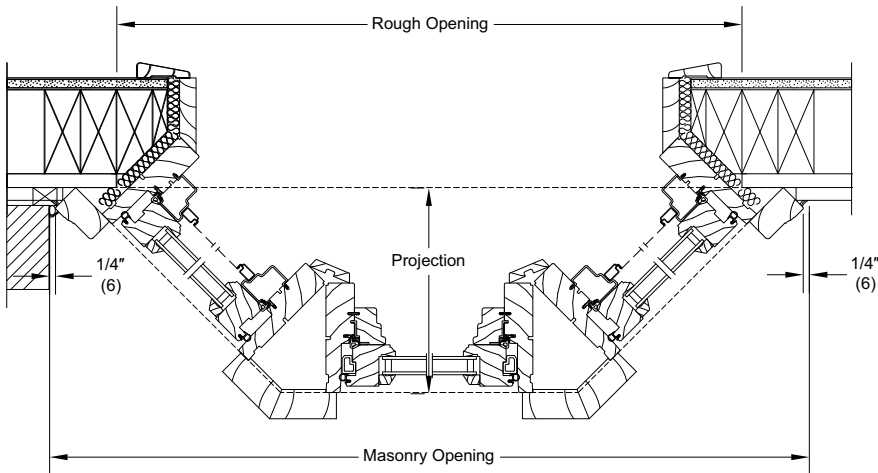
| Call Number (Width) |        |      | 45° Bay    |        |            |       |
|---------------------|--------|------|------------|--------|------------|-------|
| Side                | Center | Side | RO         |        | Projection |       |
| 16                  | 16     | 16   | 3-7 7/8    | (1114) | 1-1 3/4    | (349) |
| 16                  | 18     | 16   | 3-9 7/8    | (1165) | 1-1 3/4    | (349) |
| 16                  | 20     | 16   | 3-11 7/8   | (1216) | 1-1 3/4    | (349) |
| 16                  | 24     | 16   | 4-3 7/8    | (1317) | 1-1 3/4    | (349) |
| 16                  | 26     | 16   | 4-5 7/8    | (1368) | 1-1 3/4    | (349) |
| 16                  | 28     | 16   | 4-7 7/8    | (1419) | 1-1 3/4    | (349) |
| 16                  | 30     | 16   | 4-9 7/8    | (1470) | 1-1 3/4    | (349) |
| 16                  | 32     | 16   | 4-11 7/8   | (1521) | 1-1 3/4    | (349) |
| 16                  | 36     | 16   | 5-3 7/8    | (1622) | 1-1 3/4    | (349) |
| 16                  | 40     | 16   | 5-7 7/8    | (1724) | 1-1 3/4    | (349) |
| 16                  | 48     | 16   | 6-3 7/8    | (1927) | 1-1 3/4    | (349) |
| 16                  | 56     | 16   | 6-11 7/8   | (2130) | 1-1 3/4    | (349) |
| 16                  | 60     | 16   | 7-3 7/8    | (2232) | 1-1 3/4    | (349) |
| 16                  | 64     | 16   | 7-7 7/8    | (2333) | 1-1 3/4    | (349) |
| 16                  | 72     | 16   | 8-3 7/8    | (2537) | 1-1 3/4    | (349) |
| 18                  | 18     | 18   | 4-0 45/64  | (1237) | 1-3 11/64  | (385) |
| 18                  | 20     | 18   | 4-2 45/64  | (1288) | 1-3 11/64  | (385) |
| 18                  | 24     | 18   | 4-6 45/64  | (1389) | 1-3 11/64  | (385) |
| 18                  | 26     | 18   | 4-8 45/64  | (1440) | 1-3 11/64  | (385) |
| 18                  | 28     | 18   | 4-10 45/64 | (1491) | 1-3 11/64  | (385) |
| 18                  | 30     | 18   | 5-0 45/64  | (1542) | 1-3 11/64  | (385) |
| 18                  | 32     | 18   | 5-2 45/64  | (1593) | 1-3 11/64  | (385) |
| 18                  | 36     | 18   | 5-6 45/64  | (1694) | 1-3 11/64  | (385) |
| 18                  | 40     | 18   | 5-10 45/64 | (1796) | 1-3 11/64  | (385) |
| 18                  | 48     | 18   | 6-6 45/64  | (1999) | 1-3 11/64  | (385) |
| 18                  | 56     | 18   | 7-2 45/64  | (2202) | 1-3 11/64  | (385) |
| 18                  | 60     | 18   | 7-6 45/64  | (2304) | 1-3 11/64  | (385) |
| 18                  | 64     | 18   | 7-10 45/64 | (2405) | 1-3 11/64  | (385) |
| 18                  | 72     | 18   | 8-6 45/64  | (2609) | 1-3 11/64  | (385) |
| 20                  | 20     | 20   | 4-5 17/32  | (1360) | 1-4 37/64  | (421) |
| 20                  | 24     | 20   | 4-9 17/32  | (1461) | 1-4 37/64  | (421) |
| 20                  | 26     | 20   | 4-11 17/32 | (1512) | 1-4 37/64  | (421) |
| 20                  | 28     | 20   | 5-1 17/32  | (1563) | 1-4 37/64  | (421) |
| 20                  | 30     | 20   | 5-3 17/32  | (1614) | 1-4 37/64  | (421) |
| 20                  | 32     | 20   | 5-5 17/32  | (1664) | 1-4 37/64  | (421) |
| 20                  | 36     | 20   | 5-9 17/32  | (1766) | 1-4 37/64  | (421) |
| 20                  | 40     | 20   | 6-1 17/32  | (1868) | 1-4 37/64  | (421) |
| 20                  | 48     | 20   | 6-9 17/32  | (2071) | 1-4 37/64  | (421) |
| 20                  | 56     | 20   | 7-5 17/32  | (2274) | 1-4 37/64  | (421) |
| 20                  | 60     | 20   | 7-9 17/32  | (2376) | 1-4 37/64  | (421) |
| 20                  | 64     | 20   | 8-1 17/32  | (2477) | 1-4 37/64  | (421) |
| 20                  | 72     | 20   | 8-9 17/32  | (2680) | 1-4 37/64  | (421) |
| 24                  | 24     | 24   | 5-3 3/16   | (1605) | 1-7 13/32  | (493) |
| 24                  | 26     | 24   | 5-5 3/16   | (1656) | 1-7 13/32  | (493) |
| 24                  | 28     | 24   | 5-7 3/16   | (1706) | 1-7 13/32  | (493) |
| 24                  | 30     | 24   | 5-9 3/16   | (1757) | 1-7 13/32  | (493) |
| 24                  | 32     | 24   | 5-11 3/16  | (1808) | 1-7 13/32  | (493) |
| 24                  | 36     | 24   | 6-3 3/16   | (1910) | 1-7 13/32  | (493) |
| 24                  | 40     | 24   | 6-7 3/16   | (2011) | 1-7 13/32  | (493) |
| 24                  | 48     | 24   | 7-3 3/16   | (2214) | 1-7 13/32  | (493) |
| 24                  | 56     | 24   | 7-11 3/16  | (2418) | 1-7 13/32  | (493) |
| 24                  | 60     | 24   | 8-3 3/16   | (2519) | 1-7 13/32  | (493) |
| 24                  | 64     | 24   | 8-7 3/16   | (2621) | 1-7 13/32  | (493) |
| 24                  | 72     | 24   | 9-3 3/16   | (2824) | 1-7 13/32  | (493) |

| Call Number (Width) |        |      | 45° Bay |        |            |       |
|---------------------|--------|------|---------|--------|------------|-------|
| Side                | Center | Side | RO      |        | Projection |       |
| 26                  | 26     | 26   | 2-2     | (1728) | 1-8 53/64  | (529) |
| 26                  | 28     | 26   | 2-2     | (1778) | 1-8 53/64  | (529) |
| 26                  | 30     | 26   | 2-2     | (1829) | 1-8 53/64  | (529) |
| 26                  | 32     | 26   | 2-2     | (1880) | 1-8 53/64  | (529) |
| 26                  | 36     | 26   | 2-2     | (1982) | 1-8 53/64  | (529) |
| 26                  | 40     | 26   | 2-2     | (2083) | 1-8 53/64  | (529) |
| 26                  | 48     | 26   | 2-2     | (2286) | 1-8 53/64  | (529) |
| 26                  | 56     | 26   | 2-2     | (2490) | 1-8 53/64  | (529) |
| 26                  | 60     | 26   | 2-2     | (2591) | 1-8 53/64  | (529) |
| 26                  | 64     | 26   | 2-2     | (2693) | 1-8 53/64  | (529) |
| 26                  | 72     | 26   | 2-2     | (2896) | 1-8 53/64  | (529) |
| 28                  | 28     | 28   | 2-4     | (1850) | 1-10 15/64 | (565) |
| 28                  | 30     | 28   | 2-4     | (1901) | 1-10 15/64 | (565) |
| 28                  | 32     | 28   | 2-4     | (1952) | 1-10 15/64 | (565) |
| 28                  | 36     | 28   | 2-4     | (2053) | 1-10 15/64 | (565) |
| 28                  | 40     | 28   | 2-4     | (2155) | 1-10 15/64 | (565) |
| 28                  | 48     | 28   | 2-4     | (2358) | 1-10 15/64 | (565) |
| 28                  | 56     | 28   | 2-4     | (2561) | 1-10 15/64 | (565) |
| 28                  | 60     | 28   | 2-4     | (2663) | 1-10 15/64 | (565) |
| 28                  | 64     | 28   | 2-4     | (2765) | 1-10 15/64 | (565) |
| 28                  | 72     | 28   | 2-4     | (2968) | 1-10 15/64 | (565) |
| 30                  | 30     | 30   | 2-6     | (1973) | 1-11 21/32 | (601) |
| 30                  | 32     | 30   | 2-6     | (2024) | 1-11 21/32 | (601) |
| 30                  | 36     | 30   | 2-6     | (2125) | 1-11 21/32 | (601) |
| 30                  | 40     | 30   | 2-6     | (2227) | 1-11 21/32 | (601) |
| 30                  | 48     | 30   | 2-6     | (2430) | 1-11 21/32 | (601) |
| 30                  | 56     | 30   | 2-6     | (2633) | 1-11 21/32 | (601) |
| 30                  | 60     | 30   | 2-6     | (2735) | 1-11 21/32 | (601) |
| 30                  | 64     | 30   | 2-6     | (2836) | 1-11 21/32 | (601) |
| 30                  | 72     | 30   | 2-6     | (3040) | 1-11 21/32 | (601) |
| 32                  | 32     | 32   | 2-8     | (2095) | 2-1 1/16   | (637) |
| 32                  | 36     | 32   | 2-8     | (2197) | 2-1 1/16   | (637) |
| 32                  | 40     | 32   | 2-8     | (2299) | 2-1 1/16   | (637) |
| 32                  | 48     | 32   | 2-8     | (2502) | 2-1 1/16   | (637) |
| 32                  | 56     | 32   | 2-8     | (2705) | 2-1 1/16   | (637) |
| 32                  | 60     | 32   | 2-8     | (2807) | 2-1 1/16   | (637) |
| 32                  | 64     | 32   | 2-8     | (2908) | 2-1 1/16   | (637) |
| 32                  | 72     | 32   | 2-8     | (3111) | 2-1 1/16   | (637) |
| 36                  | 36     | 36   | 3-0     | (2341) | 2-3 57/64  | (709) |
| 36                  | 40     | 36   | 3-0     | (2442) | 2-3 57/64  | (709) |
| 36                  | 48     | 36   | 3-0     | (2646) | 2-3 57/64  | (709) |
| 36                  | 56     | 36   | 3-0     | (2849) | 2-3 57/64  | (709) |
| 36                  | 60     | 36   | 3-0     | (2950) | 2-3 57/64  | (709) |
| 36                  | 64     | 36   | 3-0     | (3052) | 2-3 57/64  | (709) |
| 36                  | 72     | 36   | 3-0     | (3255) | 2-3 57/64  | (709) |

# Wood Ultimate Casement and Push Out Casement Bow and Bay

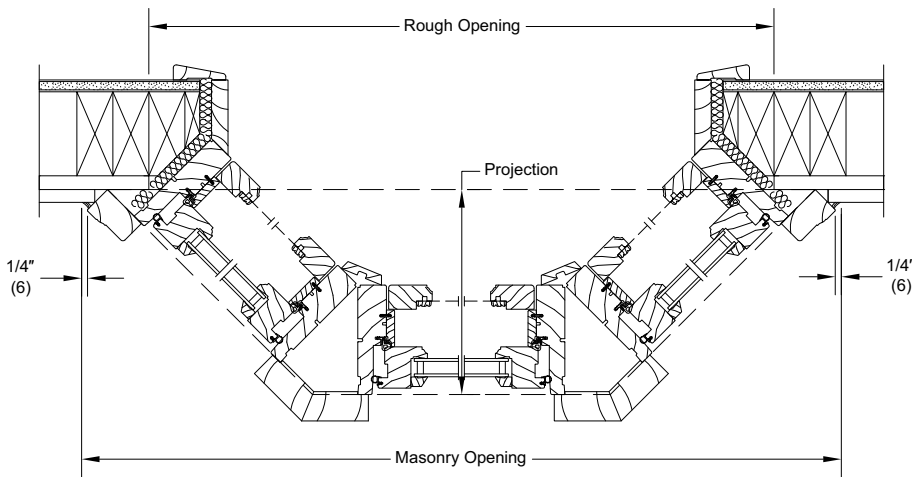
## Construction Details / Rough Opening and Projection Calculations: 45° Bay

**45-Degree Bay - Wood Ultimate Casement**



**Optional retro fit bay square jamb return for WUCA Bay.**

**45-Degree Bay - Wood Ultimate Push Out Casement**

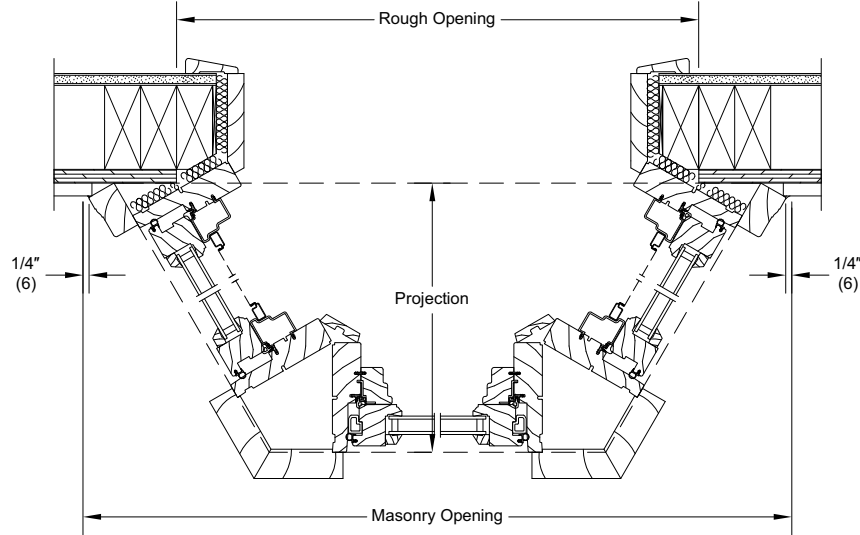


| Wood Ultimate Casement Bay<br>Wood Ultimate Push Out Casement Bay |  |
|---|--|
| 45-Degree   |  |
| Projection  | OM <b>width</b> of flanker unit<br>PLUS 3.452 x 0.707                          |
| Rough Opening Width   | (Projection minus 1.710) x 2 Plus 3.780<br>Plus OM <b>width</b> of Center Unit |
| Masonry Opening Width   | Add 5 5/8" (143) to Rough Opening <b>width</b>                                 |
| Rough Opening Height<br>(with Head and Seat Boards)               | OM height on center unit(s) Plus 1 3/16" (30)                                  |
| Masonry Opening Height<br>(with Head and Seat Boards)             | Rough Opening height add 11/16" (17)   |

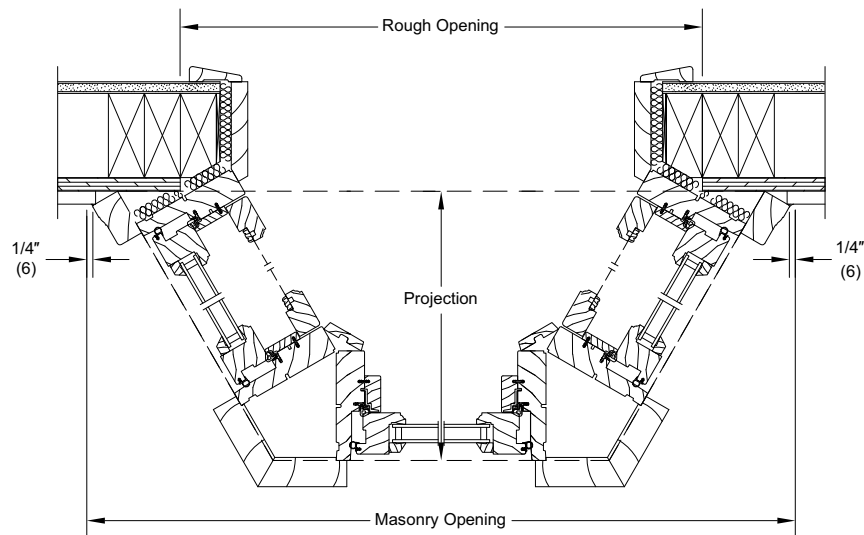
# Wood Ultimate Casement and Push Out Casement Bow and Bay

## Construction Details / Rough Opening and Projection Calculations: 60° Bay

**60-Degree Bay - Wood Ultimate Casement**



**60-Degree Bay - Wood Ultimate Push Out Casement**



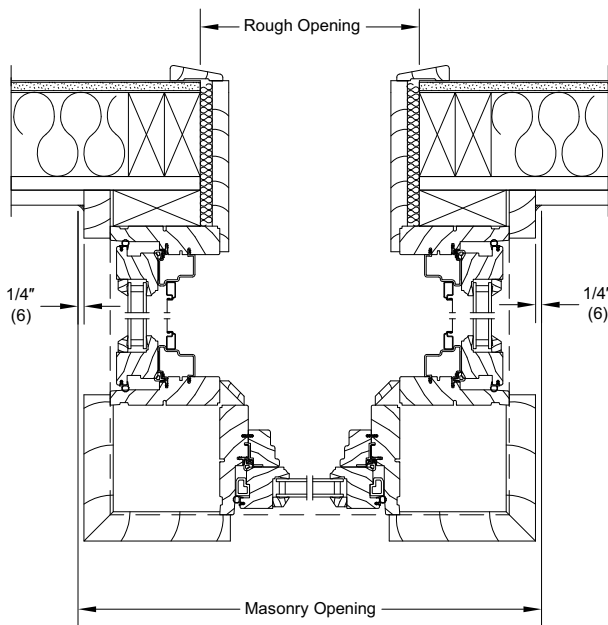
| Wood Ultimate Casement Bay<br>Wood Ultimate Push Out Casement Bay |  |
|---|--|
| 60-Degree   |  |
| Projection  | OM <b>width</b> of flanker unit PLUS 4.197 x 0.866 |
| Rough Opening Width   | OM <b>width</b> of Center Unit(s) PLUS 1 5/8" (41) |
| Masonry Opening Unit  | Add 7 29/32" (201) to Rough Opening <b>width</b>   |
| Rough Opening Height<br>(with Head and Seat boards)               | OM height on center unit(s) PLUS 1 3/16" (30)      |
| Masonry Opening Height<br>(with Head and Seat boards)             | Rough Opening height ADD 11/16" (17)               |

**NOTE:** Use of Wood casing other than 2" (51) will change the Rough Opening and Projection. Contact your Marvin representative for further information.

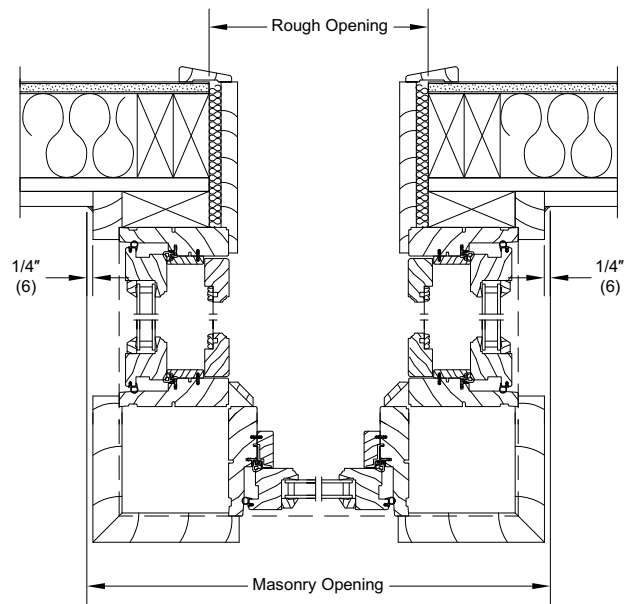
# Wood Ultimate Casement and Push Out Casement Bow and Bay

## Construction Details / Rough Opening and Projection Calculations: 90° Bay

90-Degree Bay - Wood Ultimate Casement



90-Degree Bay - Wood Ultimate Push Out Casement



| Wood Ultimate Casement Bay<br>Wood Ultimate Push Out Casement Bay |   |
|---|---|
| 90-Degree   |   |
| Projection  | OM <b>width</b> of flanker unit<br>PLUS 6 1/16" (154) |
| Rough Opening Width   | OM <b>width</b> of Center Unit(s) PLUS 1 5/8" (41)    |
| Masonry Opening Unit  | Add 10 7/16" (265) to Rough Opening <b>width</b>      |
| Rough Opening Height<br>(with Head and Seat boards)               | OM height on center unit(s) PLUS 1 3/16" (30)         |
| Masonry Opening Height<br>(with Head and Seat boards)             | Rough Opening height ADD 11/16" (17)                  |

**NOTE:** Use of Wood casing other than 2" (51) will change the Rough Opening and Projection. Contact your Marvin representative for further information.