

Clad Ultimate Double Hung Round Top - Next Generation 2.0

Unit Features.....	1
Egress/Vent and Daylight Openings: Operable.....	5
Minimum and Maximum Guidelines	8
Minimum and Maximum Guidelines: IZ3 and Non-Certified Sizes	9
Certified Sizes and Ratings	10
Measurement Conversions	11
Standard Unit Measurements: Single Hung / Double Hung - RT2.....	14
Standard Unit Measurements: Single Hung / Double Hung - RT6.....	18
Standard Unit Measurements: Single Hung / Double Hung - RT21/22.....	22
Standard Unit Measurements: Picture RT6.....	26
Standard Unit Measurements: Transom RT2 and RT6.....	28
Section Details: Operating.....	29
Section Details: Operating (With Optional Lift Lock Hardware).....	30
Section Details: Transom and Picture	31
Section Details: Operating (Commercial Window Performance Rating)	32
Section Details: Casings	33
Lite Options	34
Optional Interior Square Simulated Divided Lite Option.....	35

Clad Ultimate Double Hung Round Top - Next Generation 2.0

Unit Features

Clad Ultimate Double Hung Collection:

Clad Ultimate Single Hung Round Top - Next Generation 2.0: CUSHRT-NG 2.0

Clad Ultimate Double Hung Round Top - Next Generation 2.0: CUDHRT-NG 2.0

Clad Ultimate Double Hung Round Top Picture - Next Generation 2.0: CUDHRTP-NG 2.0

Clad Ultimate Double Hung Round Top Transom - Next Generation 2.0: CUDHRTT-NG 2.0

Clad Ultimate Double Hung Round Top - Next Generation 2.0 IZ3: CUDHRT-NG 2.0 IZ3

NOTE: Clad Ultimate Double Hung Round Top - Next Generation 2.0 IZ3 is not available with CE mark.

Frame:

- Frame thickness:
 - 1 1/16" (17) thick at head and jambs
 - 1 13/32" (36) thick at sill
- Frame Width: 4 9/16" (116)

Sash:

- Operating / Stationary Sash (Single Hung, Double Hung, Transom, and Picture):
 - Sash thickness: 1 3/4" (44)
 - Top rail height: 1 21/32" (42)
 - Stiles width: 1 21/32" (42)
 - Bottom rail height (operating): 3 1/4" (83)
 - Bottom rail height (transom): 2 3/4" (70)
 - Bottom rail height (picture): 3 7/8" (98)
- Optional CW (Commercial Window) certified product
- Sash Options
 - Standard: Equal
 - Optional: Unequal, Both Sash Stationary
- Standard exterior cope profile: Putty
- Standard interior wood cope sticking: Ogee
- Optional interior wood cope sticking: Square

Glass and Glazing:

- Insulating glass
 - Glazing seal: Silicone glazed
 - Standard glazing:
 - Low E2 Argon or air
 - Optional glazing:
 - Low E3 Argon or air, Low E1 Argon or air, Low E2/ERS Argon or air, Low E3/ERS Argon or air, Laminated, Tempered, Obscure, Bronze tint, Gray tint, Green tint, Reflective Bronze, Decorative glass options
- Optional Tripane glazing:
 - 7/8" Low E1/E1 Argon or Argon-Krypton mix
 - 7/8" Low E2/E2 Argon or Argon-Krypton mix
 - 7/8" Low E3/E1 Argon or Argon-Krypton mix
- Glazing will be altitude adjusted for higher elevations, Argon, Argon-Krypton, and Krypton gas not included

CE Optional Glazing:

- Glazing method: Insulating
- Glazing seal: silicone glazed
- Standard glass: Insulating Low E2 Argon or air
- Optional dual glazing available: Low E1 Argon or air, Low E3 Argon or air, Low E2/ERS argon or air, Low E3/ERS Argon or air, clear, laminated clear & tints, tempered, sandblasted
- Optional Tripane glass types: Low E1/E1 Argon or Krypton-Argon, Low E2/E2 Argon or Krypton-Argon, Low E3/E1 Argon or Krypton-Argon
- Glass panes available in 3, 4, and 6 mm thicknesses
- Laminated panes available in 7.0 and 7.8 mm thicknesses
- Glazing will be altitude adjusted for higher elevations, Argon, Argon-Krypton, and Krypton gas not included

NOTE: Egress may be affected when selecting specialty glass, please contact your Marvin representative

Clad Ultimate Double Hung Round Top - Next Generation 2.0

Unit Features

Weather Strip:

- Operating units:
 - Jambs: Foam-filled bulb
 - Color: beige, black, and white
 - Head Jamb: Multiple hollow bulb
 - Color: beige, black, and white
 - Check rail: Hollow bulb
 - Color: beige, black, and white
 - Bottom rail: Hollow bulb
 - Color: black
- Picture and Transom units:
 - Jambs: Foam-filled bulb
 - Color: beige
 - Head Jamb: Hollow bulb
 - Color: beige
 - Bottom rail: Hollow bulb
 - Color: black

Hardware:

- Locking system that provides locking, unlocking, balancing, and tilting of the sash members. Lock automatically locks when both sash are closed.
- Lock Actuator Assembly:
 - Material
 - Zinc die cast
 - Standard finish: Satin Taupe
 - Optional finish: White, Bronze, Matte Black, Brass, Antique Brass, Polished Chrome, Satin Chrome, Oil Rubbed Bronze, or Satin Nickel
 - Design features or components
 - To unlock the unit, turn the handle 135°
 - To lock the unit, both sash must be moved to the closed position
 - To tilt the bottom sash for wash-mode, the bottom sash must be open; push the button on top of lock handle and rotate the handle 180°
 - To tilt the top sash for wash-mode, the bottom sash must be tilted and/or removed from frame; lower the top sash to a good working height, retract the tilt latches on the top rail and tilt sash out of the frame
 - Options
 - Non-tilt hardware is standard on units with performance brackets
 - Custodial hardware colors: satin taupe, white, bronze, matte black
- Latches
 - Bottom sash latch, top sash tilt latch
 - Latches accommodate locking/unlocking, travel of sash in frame, and tilting into wash-mode
 - Injection-molded plastic
 - Color: beige
- Lift Lock (Option for Single Hung Only)
 - Available with one or two locks
 - Lift lock handle assembly is integrated into the bottom rail of the sash and controls locking, unlocking and facilitates operation of the bottom sash.
 - Two locks are not available on sash less than CN26 width
 - Material
 - Zinc die-cast
 - Finishes
 - Lift and Escutcheon components - Bronze, Satin Taupe, White, Matte Black, Oil Rubbed Bronze, Antique Brass, Brass, Polished Chrome, Satin Chrome, Satin Nickel
 - Sill Strike: White, Black, Beige

Clad Ultimate Double Hung Round Top - Next Generation 2.0

Unit Features

- Cord guide assembly
 - Injection-molded plastic and die-cast zinc
 - One cord guide inserted into bottom check rail
 - Cord guide is driven by lock handle, accounts for cord travel to retract latches
 - Plunger drives auto-lock feature to lock position when both sash are closed
- Strike assembly
 - Zinc die-cast strike plate and injection-molded Acetal housing and button
 - Strike assembly accommodates locking/unlocking
- Balance system
 - Block & tackle balance
 - Hybrid spiral balance

NOTE: *Balance system determined by sash weight*

- Sash Limiter
 - Bottom sash limiter:
 - Available on all operator configurations, and StormPlus IZ3
 - Selectable bottom sash locations, 4", 6" or 8" Net Clear Opening (NCO)
 - Non-tilt hardware is default, and a sash removal tool is required in order to by-pass the Sash limiter for sash removal (tilt wash mode)
 - Standard application is factory applied. Available for retrofit applications.
 - Color: Will align with the Interior Weather Strip Package selection
 - Top Sash Limiter
 - Available on all operator configurations, with the exception Single Hung configurations. This includes StormPlus IZ3
 - Selectable bottom sash locations, 4", 6" or 8" Net Clear Opening (NCO)
 - Standard application is factory applied. Available for field applications
 - Color: Will align with the Exterior Weather Strip Package selection
- Optional factory applied Window Opening Control Device is available on operating units.
 - Two devices will be applied to each window and will default color match the lock handle color.
 - WOCD is a device consisting of a zinc lever housed in a zinc shell on the lower meeting rail of the secondary sash and an acetal stop on the bottom check rail of the primary sash.
 - Color: Satin Taupe, White, Bronze, Matte Black, Brass, Antique Brass, Polished Chrome, Satin Chrome, Oil Rubbed Bronze, and Satin Nickel.
 - This device works in accordance to ASTM F2090-17 Standard Specification for Window Fall Prevention Devices with Emergency Escape (Egress) Release Mechanisms.
- Exterior Sash Lugs - Standard Option
 - Standard Profile: Ogee
 - Available on Top Sash
 - Color: Available in all exterior clad color options
 - Color shall be the same as top sash clad color
 - Standard application is factory applied. Available for field applications
- Optional Finger Pull
 - Single or double (not available on units less than CN26: Frame OM 31 1/4" (794))
 - Not available with Lift Lock

Insect Screens:

- Standard screen frame is roll formed aluminum
- Aluminum screen: Full screen standard, half screen optional
- Aluminum surround to match exterior frame clad color
- Units with a glass height of 20" (508) or greater will have a center cross bar
- Screen mesh:
 - Standard: Charcoal Fiberglass
 - Optional: Charcoal High Transparency Fiberglass Mesh, Charcoal Aluminum Wire, Black Aluminum Wire, Bright Aluminum Wire, or Bright Bronze Aluminum Wire
 - Optional Double Hung Magnum screen and half screen, extruded aluminum

Mulling:

- For mull performance, refer to the [General Mulling chapter of the ADM](#).

Unit Features

Cottage Unit:

The following formula will properly size a standard cottage style double hung:

Formula

1. Select the standard size double hung that will fit the rough opening
2. Subtract 7 1/2" (191) from the frame size height to get total glass height
3. Multiply the total glass height by the desired top sash ratio, this is the top sash glass height
4. Subtract the top sash height from the total glass height, this is the bottom sash glass height

Example

1. CUDHRT 2.0 with a 0.400 top sash ratio (2/5 - 3/5) cottage style. If the rough opening is 2'-4 1/4" x 4' (RO for a CUDH-NG 2.0 2020) the frame size will be 25 1/4" x 47 1/2"
2. $47\ 1/2" - 7\ 1/2" = 40"$
3. $40" \text{ multiplied by } 0.400\ (2/5) = 16"$
4. $40" - 16" = 24"$
5. The top sash will be a 2016 and the bottom sash will be a 2024. The call number for the example is: CUDH-NG RT 2.0 2016/24.
6. The top sash will be a 2016 and the bottom sash will be a 2024. The call number for the example is: CUDH-NG 2.0 2016/24.

CE Mulling Options

- Muller assemblies up to 120" (3048) x 79 1/2" (2019) as a 1H x multi-width assembly
- Muller assemblies up to 59 1/4" (1505) x 119 1/2" (3035) as a multi-high x 1W assembly
- Muller assemblies with 1" (25) LVL or 3/8" (10) aluminum mull reinforcement up to 120" (3048) x 100 3/8" (2550) as a multi-wide or multi-high assembly

Egress/Vent and Daylight Openings: Operable

CN	Opening Width		Opening Height		Egress Opening	
	ft - in	mm	ft - in	mm	ft ²	m ²
1612	1-5 21/32	(449)	0-10 5/8	(270)	1.30	(0.12)
1614	1-5 21/32	(449)	1-0 5/8	(321)	1.55	(0.14)
1616	1-5 21/32	(449)	1-2 5/8	(372)	1.79	(0.17)
1618	1-5 21/32	(449)	1-4 5/8	(422)	2.04	(0.19)
1620	1-5 21/32	(449)	1-6 5/8	(473)	2.28	(0.21)
1622	1-5 21/32	(449)	1-8 5/8	(524)	2.53	(0.24)
1624	1-5 21/32	(449)	1-10 5/8	(575)	2.78	(0.26)
1626	1-5 21/32	(449)	2-0 5/8	(626)	3.02	(0.28)
1628	1-5 21/32	(449)	2-2 5/8	(676)	3.27	(0.30)
1630	1-5 21/32	(449)	2-4 5/8	(727)	3.51	(0.33)
1632	1-5 21/32	(449)	2-6 5/8	(778)	3.76	(0.35)
1634	1-5 21/32	(449)	2-8 5/8	(829)	4.0	(0.37)
1636	1-5 21/32	(449)	2-10 5/8	(880)	4.25	(0.39)
1640	1-5 21/32	(449)	3-2 5/8	(981)	4.74	(0.44)
1642	1-5 21/32	(449)	3-4 5/8	(1032)	4.98	(0.46)
1650	1-5 21/32	(449)	4-0 5/8	(1235)	5.96	(0.55)
2012	1-9 21/32	(550)	0-10 5/8	(270)	1.60	(0.15)
2014	1-9 21/32	(550)	1-0 5/8	(321)	1.90	(0.18)
2016	1-9 21/32	(550)	1-2 5/8	(372)	2.20	(0.20)
2018	1-9 21/32	(550)	1-4 5/8	(422)	2.50	(0.23)
2020	1-9 21/32	(550)	1-6 5/8	(473)	2.80	(0.26)
2024	1-9 21/32	(550)	1-8 5/8	(524)	3.10	(0.29)
2026	1-9 21/32	(550)	1-10 5/8	(575)	3.40	(0.32)
2028	1-9 21/32	(550)	2-0 5/8	(626)	3.70	(0.34)
2030	1-9 21/32	(550)	2-2 5/8	(676)	4.01	(0.37)
2032	1-9 21/32	(550)	2-4 5/8	(727)	4.31	(0.40)
2034	1-9 21/32	(550)	2-6 5/8	(778)	4.61	(0.43)
2036	1-9 21/32	(550)	2-8 5/8	(829)	4.91	(0.46)
2040 E	1-9 21/32	(550)	2-10 5/8	(880)	5.21	(0.48)
2042 E	1-9 21/32	(550)	3-2 5/8	(981)	5.81	(0.54)
2050 E	1-9 21/32	(550)	3-4 5/8	(1032)	6.11	(0.57)

CN	Opening Width		Opening Height		Egress Opening	
	ft - in	mm	ft - in	mm	ft ²	m ²
2412	2-1 21/32	(652)	0-10 5/8	(270)	1.89	(0.18)
2414	2-1 21/32	(652)	1-0 5/8	(321)	2.25	(0.21)
2416	2-1 21/32	(652)	1-2 5/8	(372)	2.61	(0.24)
2418	2-1 21/32	(652)	1-4 5/8	(422)	2.96	(0.28)
2420	2-1 21/32	(652)	1-6 5/8	(473)	3.32	(0.31)
2422	2-1 21/32	(652)	1-8 5/8	(524)	3.68	(0.34)
2424	2-1 21/32	(652)	1-10 5/8	(575)	4.03	(0.37)
2426	2-1 21/32	(652)	2-0 5/8	(626)	4.39	(0.41)
2428	2-1 21/32	(652)	2-2 5/8	(676)	4.75	(0.44)
2430	2-1 21/32	(652)	2-4 5/8	(727)	5.10	(0.47)
2432	2-1 21/32	(652)	2-6 5/8	(778)	5.46	(0.51)
2434 E	2-1 21/32	(652)	2-8 5/8	(829)	5.81	(0.54)
2436 E	2-1 21/32	(652)	2-10 5/8	(880)	6.17	(0.57)
2440 E	2-1 21/32	(652)	3-2 5/8	(981)	6.88	(0.64)
2442 E	2-1 21/32	(652)	3-4 3/8	(1026)	7.20	(0.67)
2450 E	2-1 21/32	(652)	4-0 3/8	(1229)	8.62	(0.80)
2612	2-3 21/32	(703)	0-10 5/8	(270)	2.04	(0.19)
2614	2-3 21/32	(703)	1-0 5/8	(321)	2.43	(0.23)
2616	2-3 21/32	(703)	1-2 5/8	(372)	2.81	(0.26)
2618	2-3 21/32	(703)	1-4 5/8	(422)	3.19	(0.30)
2620	2-3 21/32	(703)	1-6 5/8	(473)	3.58	(0.33)
2622	2-3 21/32	(703)	1-8 5/8	(524)	3.96	(0.37)
2624	2-3 21/32	(703)	1-10 5/8	(575)	4.35	(0.40)
2626	2-3 21/32	(703)	2-0 5/8	(626)	4.73	(0.44)
2628	2-3 21/32	(703)	2-2 5/8	(676)	5.12	(0.48)
2630	2-3 21/32	(703)	2-4 5/8	(727)	5.50	(0.51)
2632 E	2-3 21/32	(703)	2-6 5/8	(778)	5.88	(0.55)
2634 E	2-3 21/32	(703)	2-8 5/8	(829)	6.27	(0.58)
2636 E	2-3 21/32	(703)	2-10 5/8	(880)	6.65	(0.62)
2640 E	2-3 21/32	(703)	3-2 3/8	(975)	7.37	(0.68)
2642 E	2-3 21/32	(703)	3-4 3/8	(1026)	7.76	(0.72)
2650 E	2-3 21/32	(703)	4-0 3/8	(1229)	9.29	(0.86)

NOTE: Refer to Product Performance Chapter for International Building Code. Net Clear Opening drawings are pictured with the conversion tables.

Sizes designated with "E" meet egress requirements based on standard and optional [Glass and Glazing](#). All other glass options, please contact a Marvin representative.

Egress/Vent and Daylight Opening: Operable

CN	Opening Width		Opening Height		Egress Opening		CN	Opening Width		Opening Height		Egress Opening	
	ft - in	mm	ft - in	mm	ft ²	m ²		ft - in	mm	ft - in	mm	ft ²	m ²
2812	2-5 21/32	(753)	0-10 5/8	(270)	2.19	(0.20)	3212	2-9 21/32	(855)	0-10 5/8	(270)	2.48	(0.23)
2814	2-5 21/32	(753)	1-0 5/8	(321)	2.60	(0.24)	3214	2-9 21/32	(855)	1-0 5/8	(321)	2.95	(0.27)
2816	2-5 21/32	(753)	1-2 5/8	(372)	3.01	(0.28)	3216	2-9 21/32	(855)	1-2 5/8	(372)	3.42	(0.32)
2818	2-5 21/32	(753)	1-4 5/8	(422)	3.43	(0.32)	3218	2-9 21/32	(855)	1-4 5/8	(422)	3.89	(0.36)
2820	2-5 21/32	(753)	1-6 5/8	(473)	3.84	(0.36)	3220	2-9 21/32	(855)	1-6 5/8	(473)	4.35	(0.40)
2822	2-5 21/32	(753)	1-8 5/8	(524)	4.25	(0.39)	3222	2-9 21/32	(855)	1-8 5/8	(524)	4.82	(0.45)
2824	2-5 21/32	(753)	1-10 5/8	(575)	4.66	(0.43)	3224	2-9 21/32	(855)	1-10 5/8	(575)	5.29	(0.49)
2826	2-5 21/32	(753)	2-0 5/8	(626)	5.07	(0.47)	3226 E	2-9 21/32	(855)	2-0 5/8	(626)	5.76	(0.53)
2828	2-5 21/32	(753)	2-2 5/8	(676)	5.49	(0.51)	3228 E	2-9 21/32	(855)	2-2 5/8	(676)	6.22	(0.58)
2830 E	2-5 21/32	(753)	2-4 5/8	(727)	5.90	(0.55)	3230 E	2-9 21/32	(855)	2-4 5/8	(727)	6.69	(0.62)
2832 E	2-5 21/32	(753)	2-6 5/8	(778)	6.31	(0.59)	3232 E	2-9 21/32	(855)	2-6 3/8	(772)	7.10	(0.66)
2834 E	2-5 21/32	(753)	2-8 5/8	(829)	6.72	(0.62)	3234 E	2-9 21/32	(855)	2-8 3/8	(823)	7.57	(0.70)
2836 E	2-5 21/32	(753)	2-10 3/8	(873)	7.08	(0.66)	3236 E	2-9 21/32	(855)	2-10 3/8	(873)	8.04	(0.75)
2840 E	2-5 21/32	(753)	3-2 3/8	(975)	7.91	(0.73)	3240 E	2-9 21/32	(855)	3-2 3/8	(975)	8.97	(0.83)
2842 E	2-5 21/32	(753)	3-4 3/8	(1026)	8.32	(0.77)	3242 E	2-9 21/32	(855)	3-4 3/8	(1026)	9.44	(0.88)
2850 E	2-5 21/32	(753)	4-0 3/8	(1229)	9.97	(0.93)	3250 E	2-9 21/32	(855)	4-0 3/8	(1229)	11.31	(1.05)
3012	2-7 21/32	(804)	0-10 5/8	(270)	2.34	(0.22)	3612	3-1 21/32	(957)	0-10 5/8	(270)	2.78	(0.26)
3014	2-7 21/32	(804)	1-0 5/8	(321)	2.78	(0.26)	3614	3-1 21/32	(957)	1-0 5/8	(321)	3.30	(0.31)
3016	2-7 21/32	(804)	1-2 5/8	(372)	3.22	(0.30)	3616	3-1 21/32	(957)	1-2 5/8	(372)	3.83	(0.36)
3018	2-7 21/32	(804)	1-4 5/8	(422)	3.66	(0.34)	3618	3-1 21/32	(957)	1-4 5/8	(422)	4.35	(0.40)
3020	2-7 21/32	(804)	1-6 5/8	(473)	4.10	(0.38)	3620	3-1 21/32	(957)	1-6 5/8	(473)	4.87	(0.45)
3022	2-7 21/32	(804)	1-8 5/8	(524)	4.54	(0.42)	3622	3-1 21/32	(957)	1-8 5/8	(524)	5.40	(0.50)
3024	2-7 21/32	(804)	1-10 5/8	(575)	4.98	(0.46)	3624	3-1 21/32	(957)	1-10 5/8	(575)	5.92	(0.55)
3026	2-7 21/32	(804)	2-0 5/8	(626)	5.42	(0.50)	3626 E	3-1 21/32	(957)	2-0 5/8	(626)	6.44	(0.60)
3028 E	2-7 21/32	(804)	2-2 5/8	(676)	5.86	(0.54)	3628 E	3-1 21/32	(957)	2-2 3/8	(670)	6.90	(0.64)
3030 E	2-7 21/32	(804)	2-4 5/8	(727)	6.29	(0.58)	3630 E	3-1 21/32	(957)	2-4 3/8	(721)	7.42	(0.69)
3032 E	2-7 21/32	(804)	2-6 5/8	(778)	6.73	(0.63)	3632 E	3-1 21/32	(957)	2-6 3/8	(772)	7.95	(0.74)
3034 E	2-7 21/32	(804)	2-8 3/8	(823)	7.12	(0.66)	3634 E	3-1 21/32	(957)	2-8 3/8	(823)	8.47	(0.79)
3036 E	2-7 21/32	(804)	2-10 3/8	(873)	7.56	(0.70)	3636 E	3-1 21/32	(957)	2-10 3/8	(873)	8.99	(0.84)
3040 E	2-7 21/32	(804)	3-2 3/8	(975)	8.44	(0.78)	3640 E	3-1 21/32	(957)	3-2 3/8	(975)	10.04	(0.93)
3042 E	2-7 21/32	(804)	3-4 3/8	(1026)	8.88	(0.82)	3642 E	3-1 21/32	(957)	3-4 3/8	(1026)	10.56	(0.98)
3050 E	2-7 21/32	(804)	4-0 3/8	(1229)	10.64	(0.99)	3650 E	3-1 21/32	(957)	3-11 3/64	(1195)	12.30	(1.14)

NOTE: Refer to Product Performance Chapter for International Building Code. Net Clear Opening drawings are pictured with the conversion tables.

Sizes designated with "E" meet egress requirements based on standard and optional [Glass and Glazing](#). All other glass options, please contact a Marvin representative.

Egress/Vent and Daylight Opening: Operable

CN	Opening Width		Opening Height		Egress Opening		CN	Opening Width		Opening Height		Egress Opening	
	ft - in	mm	ft - in	mm	ft ²	m ²		ft - in	mm	ft - in	mm	ft ²	m ²
4012	3-5 21/32	(1058)	0-10 5/8	(270)	3.08	(0.29)	4812	4-1 21/32	(1261)	0-10 5/8	(270)	3.67	(0.34)
4014	3-5 21/32	(1058)	1-0 5/8	(321)	3.65	(0.34)	4814	4-1 21/32	(1261)	1-0 5/8	(321)	4.36	(0.40)
4016	3-5 21/32	(1058)	1-2 5/8	(372)	4.23	(0.39)	4816	4-1 21/32	(1261)	1-2 5/8	(372)	5.05	(0.47)
4018	3-5 21/32	(1058)	1-4 5/8	(422)	4.81	(0.45)	4818	4-1 21/32	(1261)	1-4 5/8	(422)	5.74	(0.53)
4020	3-5 21/32	(1058)	1-6 5/8	(473)	5.39	(0.50)	4820	4-1 21/32	(1261)	1-6 3/8	(467)	6.34	(0.59)
4022	3-5 21/32	(1058)	1-8 5/8	(524)	5.97	(0.55)	4822	4-1 21/32	(1261)	1-8 3/8	(518)	7.03	(0.65)
4024	3-5 21/32	(1058)	1-10 5/8	(575)	6.55	(0.61)	4824	4-1 21/32	(1261)	1-10 3/8	(569)	7.72	(0.72)
4026 E	3-5 21/32	(1058)	2-0 3/8	(619)	7.05	(0.66)	4826 E	4-1 21/32	(1261)	2-0 3/8	(619)	8.41	(0.78)
4028 E	3-5 21/32	(1058)	2-2 3/8	(670)	7.63	(0.71)	4828 E	4-1 21/32	(1261)	2-2 3/8	(670)	9.10	(0.85)
4030 E	3-5 21/32	(1058)	2-4 3/8	(721)	8.21	(0.76)	4830 E	4-1 21/32	(1261)	2-4 3/8	(721)	9.79	(0.91)
4032 E	3-5 21/32	(1058)	2-6 3/8	(772)	8.79	(0.82)	4832 E	4-1 21/32	(1261)	2-6 3/8	(772)	10.48	(0.97)
4034 E	3-5 21/32	(1058)	2-8 3/8	(823)	9.37	(0.87)	4834 E	4-1 21/32	(1261)	2-8 3/8	(823)	11.17	(1.04)
4036 E	3-5 21/32	(1058)	2-10 3/8	(873)	9.95	(0.92)	4836 E	4-1 21/32	(1261)	2-10 3/8	(873)	11.86	(1.10)
4040 E	3-5 21/32	(1058)	3-2 3/8	(975)	11.10	(1.03)	4840 E	4-1 21/32	(1261)	3-1 3/64	(941)	12.78	(1.19)
4042 E	3-5 21/32	(1058)	3-4 3/8	(1026)	11.68	(1.09)	4842 E	4-1 21/32	(1261)	3-3 3/64	(992)	13.47	(1.25)
4050 E	3-5 21/32	(1058)	3-11 3/64	(1195)	13.61	(1.26)	4850 E	4-1 21/32	(1261)	3-11 3/64	(1195)	16.22	(1.51)
4412	3-9 21/32	(1160)	0-10 5/8	(270)	3.37	(0.31)	5412	4-7 21/32	(1414)	0-10 5/8	(270)	4.11	(0.38)
4414	3-9 21/32	(1160)	1-0 5/8	(321)	4.01	(0.37)	5414	4-7 21/32	(1414)	1-0 5/8	(321)	4.88	(0.45)
4416	3-9 21/32	(1160)	1-2 5/8	(372)	4.64	(0.43)	5416	4-7 21/32	(1414)	1-2 5/8	(372)	5.66	(0.53)
4418	3-9 21/32	(1160)	1-4 5/8	(422)	5.27	(0.49)	5418	4-7 21/32	(1414)	1-4 3/8	(416)	6.33	(0.59)
4420	3-9 21/32	(1160)	1-6 5/8	(473)	5.91	(0.55)	5420	4-7 21/32	(1414)	1-6 3/8	(467)	7.11	(0.66)
4422	3-9 21/32	(1160)	1-8 3/8	(518)	6.46	(0.60)	5422	4-7 21/32	(1414)	1-8 3/8	(518)	7.88	(0.73)
4424	3-9 21/32	(1160)	1-10 3/8	(569)	7.10	(0.66)	5424	4-7 21/32	(1414)	1-10 3/8	(569)	8.65	(0.80)
4426 E	3-9 21/32	(1160)	2-0 3/8	(619)	7.73	(0.72)	5426 E	4-7 21/32	(1414)	2-0 3/8	(619)	9.42	(0.88)
4428 E	3-9 21/32	(1160)	2-2 3/8	(670)	8.37	(0.78)	5428 E	4-7 21/32	(1414)	2-2 3/8	(670)	10.20	(0.95)
4430 E	3-9 21/32	(1160)	2-4 3/8	(721)	9.0	(0.84)	5430 E	4-7 21/32	(1414)	2-4 3/8	(721)	10.97	(1.02)
4432 E	3-9 21/32	(1160)	2-6 3/8	(772)	9.63	(0.89)	5432 E	4-7 21/32	(1414)	2-6 3/8	(772)	11.74	(1.09)
4434 E	3-9 21/32	(1160)	2-8 3/8	(823)	10.27	(0.95)	5434 E	4-7 21/32	(1414)	2-7 3/64	(789)	12.0	(1.11)
4436 E	3-9 21/32	(1160)	2-10 3/8	(873)	10.90	(1.01)	5436 E	4-7 21/32	(1414)	2-9 3/64	(839)	12.77	(1.19)
4440 E	3-9 21/32	(1160)	3-2 3/8	(975)	12.17	(1.13)	5440 E	4-7 21/32	(1414)	3-1 3/64	(941)	14.32	(1.33)
4442 E	3-9 21/32	(1160)	3-3 3/64	(992)	12.38	(1.15)	5442 E	4-7 21/32	(1414)	3-3 3/64	(992)	15.09	(1.40)
4450 E	3-9 21/32	(1160)	3-11 3/64	(1195)	14.92	(1.39)	5450 E	4-7 21/32	(1414)	3-11 3/64	(1195)	18.18	(1.69)

NOTE: Refer to Product Performance Chapter for International Building Code. Net Clear Opening drawings are pictured with the conversion tables.

Sizes designated with "E" meet egress requirements based on standard and optional [Glass and Glazing](#). All other glass options, please contact a Marvin representative.

Minimum and Maximum Guidelines

Minimum and Maximum Certified Frame Size									
Unit Type		Minimum				Minimum			
		Width		Height		Min Radius		Min Springline	
		in	mm	in	mm	in	mm	in	mm
CUSHRT-NG 2.0	RT6, RT9, RT10, RT21, RT22, RT23, RT24, RT25, RT26, RT30, RT33, RT34, RT45, RT46	14 1/4	(362)	26 3/64	(661)	11 1/4	(286)	23 1/2	(1505)
CUSHRT-NG 2.0	RT2	22 33/64	(572)	34 3/4	(883)	11 1/4	(286)	23 1/2	(1505)
CUDHRT -NG 2.0	RT6, RT30	14 1/4	(362)	27 11/32	(694)	11 1/4	(286)	23 1/2	(1505)
CUDHRT -NG 2.0	RT2	22 33/64	(572)	36 3/64	(916)	11 1/4	(286)	23 1/2	(1505)
CUDHRTT- NG 2.0	RT6, RT9, RT10, RT21, RT22, RT23, RT24, RT25, RT26, RT30, RT33, RT34, RT45, RT46	14 1/4	(362)	9 3/64	(230)	11 1/4	(286)	6 1/2	(1892)
CUDHRTT- NG 2.0	RT2	22 33/64	(572)	14 31/32	(380)	11 1/4	(286)	3 23/32	(1892)
CUDHRTP - NG 2.0	RT6, RT9, RT10, RT21, RT22, RT23, RT24, RT25, RT26, RT30, RT33, RT34, RT45, RT46	14 1/4	(362)	9 3/64	(230)	11 1/4	(286)	6 1/2	(1892)
CUDHRTP - NG 2.0	RT2	22 33/64	(572)	16 7/64	(409)	11 1/4	(286)	4 27/32	(1892)

Minimum and Maximum Certified Frame Size												
Unit Type		Maximum				Maximum				Max Glass		
		Width		Height		Max Radius		Max Springline				
		in	mm	in	mm	in	mm	in	mm	Sash Position	Sq. Feet	Sq. Meters
CUSHRT-NG 2.0	RT6, RT9, RT10, RT21, RT22, RT23, RT24, RT25, RT26, RT30, RT33, RT34, RT45, RT46	59 1/4	(1505)	119 1/2	(3035)	NA	NA	NA	NA	Top	22 21/32	2.104
										Bottom	19 11/32	1.797
CUSHRT-NG 2.0	RT2	59 1/4	(1505)	119 1/2	(3035)	NA	NA	NA	NA	Top	26 35/64	2.466
										Bottom	15 29/64	1.435
CUDHRT -NG 2.0	RT6, RT30	59 1/4	(1505)	119 1/2	(3035)	NA	NA	NA	NA	Top	22 21/32	2.104
										Bottom	19 11/32	1.797
CUDHRT -NG 2.0	RT2	59 1/4	(1505)	119 1/2	(3035)	NA	NA	NA	NA	Top	26 35/64	2.466
										Bottom	15 29/64	1.435
CUDHRTT- NG 2.0	RT6, RT9, RT10, RT21, RT22, RT23, RT24, RT25, RT26, RT30, RT33, RT34, RT45, RT46	74 1/2	(1892)	103 1/2	(2629)	NA	NA	NA	NA	-	46 11/64	4.290
CUDHRTT- NG 2.0	RT2	74 1/2	(1892)	103 1/2	(2629)	NA	NA	NA	NA	-	46 11/64	4.290
CUDHRTP - NG 2.0	RT6, RT9, RT10, RT21, RT22, RT23, RT24, RT25, RT26, RT30, RT33, RT34, RT45, RT46	74 1/2	(1892)	103 1/2	(2629)	NA	NA	NA	NA	-	45 21/32	4.241
										-	-	-
CUDHRTP - NG 2.0	RT2	74 1/2	(1892)	103 1/2	(2629)	NA	NA	NA	NA	-	45 41/64	4.241
										-	-	-

Minimum and Maximum Guidelines: IZ3 and Non-Certified Sizes

Minimum and Maximum Non-Certified Frame Size												
Unit Type		Maximum				Maximum				Max Glass		
		Width		Height		Max Radius		Max Springline				
		in	mm	in	mm	in	mm	in	mm	Sash Position	Sq. Feet	Sq. Meters
CUDHRTT-NG 2.0	RT6, RT9, RT10, RT21, RT22, RT23, RT24, RT25, RT26, RT30,	120	(3048)	127 1/2	(3239)	NA	NA	NA	NA	-	97 3/64	9.016
CUDHRTP -NG 2.0	RT33, RT34, RT45, RT46	120	(3048)	127 1/2	(3239)	NA	NA	NA	NA	-	96 5/32	8.933
CUDHRTT-NG 2.0	RT2	120	(3048)	127 1/2	(3239)	NA	NA	NA	NA	-	-	-
CUDHRTP -NG 2.0		120	(3048)	127 1/2	(3239)	NA	NA	NA	NA	-	-	-

IZ3 Minimum and Maximum Frame Size									
Unit Type		Minimum				Minimum			
		Width		Height		Width		Height	
		in	mm	in	mm	in	mm	in	mm
CUSHRT-NG 2.0	RT6, RT9, RT10, RT21, RT22, RT23, RT24, RT25, RT26, RT30, RT33, RT34, RT45, RT45	14 1/4	(362)	26 3/64	(661)	11 1/4	(286)	23 1/2	(597)
CUDHRT -NG 2.0	RT2	22 33/64	(572)	34 3/4	(883)	11 1/4	(286)	23 1/2	(597)
CUDHRT -NG 2.0	RT6, RT30	14 1/4	(362)	26 3/64	(661)	11 1/4	(286)	23 1/2	(597)
CUDHRT -NG 2.0	RT2	22 33/64	(572)	34 3/4	(883)	11 1/4	(286)	23 1/2	(597)


IZ3 Minimum and Maximum Frame Size												
Unit Type		Maximum				Maximum				Max Glass		
		Width		Height		Width		Height				
		in	mm	in	mm	in	mm	in	mm	Sash Position	Sq. Feet	Sq. Meters
CUSHRT-NG 2.0	RT6, RT9, RT10, RT21, RT22, RT23, RT24, RT25, RT26, RT30, RT33, RT34, RT45, RT45	49 1/4	(1251)	107 1/2	(2731)	NA	NA	Top	15 9/32	1.419		
								Bottom	15 9/32	1.419		
CUDHRT -NG 2.0	RT2	49 1/4	(1251)	107 1/2	(2731)	NA	NA	Top	15 9/32	1.419		
								Bottom	15 9/32	1.419		
CUDHRT -NG 2.0	RT6, RT30	49 1/4	(1251)	107 1/2	(2731)	NA	NA	Top	15 9/32	1.419		
								Bottom	15 9/32	1.419		
CUDHRT -NG 2.0	RT2	49 1/4	(1251)	107 1/2	(2731)	NA	NA	Top	15 9/32	1.419		
								Bottom	15 9/32	1.419		

NOTE: CE mark is not available on Impact units.

Clad Ultimate Double Hung Round Top - Next Generation 2.0

Certified Sizes and Ratings

Product	Air Test to PSF	Water Tested to PSF	Structural Tested to PSF	Certification Rating	Design Pressure	Overall Width		Overall Height	
						in	mm	in	mm
Clad Ultimate Double Hung Round Top Next Generation 2.0	1.57	7.5	75	LC-PG 50	DP50	45 1/4	(1149)	87 1/2	(2223)
Clad Ultimate Double Hung Round Top Next Generation 2.0	1.57	7.5	75	LC-PG 50	DP50	49 1/4	(1251)	107 1/2	(2731)
Clad Ultimate Double Hung Round Top Next Generation 2.0	1.57	7.5	75	LC-PG 50	DP50	49 1/4	(1251)	107 1/2	(2731)
Clad Ultimate Double Hung Round Top Next Generation 2.0	1.57	5.43	52.5	LC-PG 35	DP35	59 1/4	(1505)	119 1/2	(3035)
Clad Ultimate Double Hung Round Top Next Generation 2.0	1.57	5.43	52.5	LC-PG 35	DP35	59 1/4	(1505)	119 1/2	(3035)
Clad Ultimate Double Hung Round Top - Picture/Transom Next Generation 2.0	1.57	7.5	75	CW-PG 50	DP50	74 1/2	(1892)	103 1/2	(2629)
Clad Ultimate Double Hung Round Top Next Generation 2.0 IZ3	1.57	9.75	97.5	LC-PG 65	DP65	49 1/4	(1251)	107 1/2	(2731)
Clad Ultimate Double Hung Round Top Next Generation 2.0 CW Performance	1.57	7.5	75	CW-PG 50	DP50	49 1/4	(1251)	107 1/2	(2731)
Clad Ultimate Double Hung Round Top Next Generation 2.0 CW Performance	1.57	7.5	75	CW-PG 50	DP50	49 1/4	(1251)	107 1/2	(2731)

 IZ3 RT units can not exceed a maximum glass height of 50" for either sash

NOTE: For CE ratings, please refer to CE Performance Section.
CE mark is not available on Impact units.

CW Performance is an Option.

Measurement Conversions

Double Hung Round Top-NG 2.0 Unit						
Unit Measurements		Width		Height		
From	To					
Rough Opening		in	mm		in	mm
OM of Frame	Rough Opening	+ 1	(25)		+ 1/2	(13)
Masonry Opening	Rough Opening	+ 1/2	(13)		+ 1/4	(06)
Masonry Opening w/BMC	Rough Opening	-2 1/8	(54)		-1 29/32	(48)
Masonry Opening w/Flat Casing	Rough Opening	-5 1/2	(140)		-3 19/32	(91)
Masonry Opening w/BMC (all sides)	Rough Opening	-2 1/8	(54)		-1 55/64	(47)
Masonry Opening w/Flat Casing (all sides)	Rough Opening	-5 1/2	(140)		-5 15/64	(133)
Frame		in	mm		in	mm
OM of BMC	OM of Frame	-2 5/8	(67)		-1 29/32	(48)
OM of Flat Casing	OM of Frame	-6	(152)		-3 19/32	(91)
Daylight Opening	OM of Frame	+ 6 33/64	(165)	× 2	+ 10 1/32	(255)
Glass Size	OM of Frame	+ 5 1/4	(133)	× 2	+ 7 17/32	(191)
Top Sash		in	mm		in	mm
OM of Frame	OM of Top Sash	-3 11/64	(81)	+ 2	-1 33/64	(38)
Daylight Opening	OM of Top Sash	+ 3 11/32	(85)		+ 3 17/32	(90)
Bottom Sash		in	mm		in	mm
OM of Frame	OM of Bottom Sash	-3 11/64	(81)	+ 2	-1/32	(01)
Daylight Opening	OM of Bottom Sash	+ 3 11/32	(85)		+ 4 31/32	(126)
Glass		in	mm		in	mm
Daylight Opening	Glass	+ 1 17/64	(32)		+ 1 17/64	(32)
Aluminum Screen		in	mm		in	mm
Daylight Opening	OM of Screen	+ 4 41/64	(118)		+ 8 19/64	(211)
Aluminum Half Screen		in	mm		in	mm
OM of Frame	OM of Screen	-1 7/8	(48)	+ 2	+ 7/16	(11)
Daylight Opening	OM of Screen	+ 4 41/64	(118)		+ 5 7/16	(138)
Magnum Screen		in	mm		in	mm
Daylight Opening	OM of Screen	+ 4 41/64	(118)		+ 8 19/64	(211)
Magnum Half Screen		in	mm		in	mm
OM of Frame	OM of Screen	-1 7/8	(48)	+ 2	+ 23/32	(18)
Daylight Opening	OM of Screen	+ 4 41/64	(118)		+ 5 45/64	(145)

NOTE: For standard cottage style double hung conversion, see info under unit features

Measurement Conversions Continued

Double Hung Round Top Transom-NG 2.0					
Unit Measurements		Width		Height	
From	To	in	mm	in	mm
Rough Opening		in	mm	in	mm
OM of Frame	Rough Opening	+ 1	(25)	+ 1/2	(13)
Masonry Opening	Rough Opening	+ 1/2	(13)	+ 1/4	(06)
Masonry Opening w/BMC	Rough Opening	-2 1/8	(54)	-1 29/32	(48)
Masonry Opening w/Flat Casing	Rough Opening	-5 1/2	(140)	-3 19/32	(91)
Masonry Opening w/BMC (all sides)	Rough Opening	-2 1/8	(54)	-1 55/64	(47)
Masonry Opening w/Flat Casing (all sides)	Rough Opening	-5 1/2	(140)	-5 15/64	(133)
Frame		in	mm	in	mm
OM of BMC	OM of Frame	-2 5/8	(67)	-1 29/32	(48)
OM of Flat Casing	OM of Frame	-6	(152)	-3 19/32	(91)
Daylight Opening	OM of Frame	+ 6 33/64	(165)	+ 6 31/32	(177)
Glass Size	OM of Frame	+ 5 1/4	(133)	+ 5 23/32	(145)
Sash		in	mm	in	mm
OM of Frame	OM of Sash	-3 11/64	(81)	-2 9/16	(65)
Daylight Opening	OM of Sash	+ 3 11/32	(85)	+ 4 27/64	(112)
Glass Size		in	mm	in	mm
Daylight Opening	Glass	+ 1 17/64	(32)	+ 1 17/64	(32)

Double Hung Round Top Picture-NG 2.0					
Unit Measurements		Width		Height	
From	To	in	mm	in	mm
Rough Opening		in	mm	in	mm
OM of Frame	Rough Opening	+ 1	(25)	+ 1/2	(13)
Masonry Opening	Rough Opening	+ 1/2	(13)	+ 1/4	(06)
Masonry Opening w/BMC	Rough Opening	-2 1/8	(54)	-1 29/32	(48)
Masonry Opening w/Flat Casing	Rough Opening	-5 1/2	(140)	-3 19/32	(91)
Masonry Opening w/BMC (all sides)	Rough Opening	-2 1/8	(54)	-1 55/64	(47)
Masonry Opening w/Flat Casing (all sides)	Rough Opening	-5 1/2	(140)	-5 15/64	(133)
Frame		in	mm	in	mm
OM of BMC	OM of Frame	-2 5/8	(67)	-1 29/32	(48)
OM of Flat Casing	OM of Frame	-6	(152)	-3 19/32	(91)
Daylight Opening	OM of Frame	+ 6 33/64	(165)	+ 8 3/32	(206)
Glass Size	OM of Frame	+ 5 1/4	(133)	+ 6 27/32	(174)
Sash		in	mm	in	mm
OM of Frame	OM of Sash	-3 11/64	(81)	-2 9/16	(65)
Daylight Opening	OM of Sash	+ 3 11/32	(85)	+ 5 17/32	(141)
Glass		in	mm	in	mm
Daylight Opening	Glass	+ 1 17/64	(32)	+ 1 17/64	(32)

Measurement Conversions

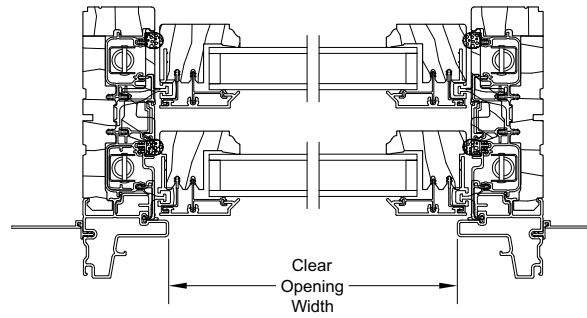
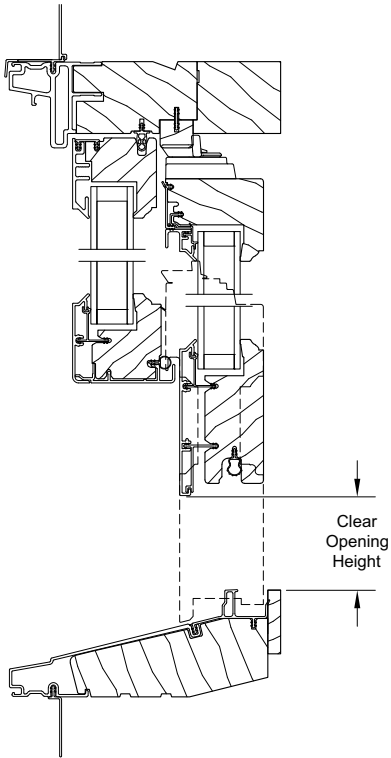
Egress Formulas

Clear Opening Width:

- Clear Opening Width = Glass Size Width + 1 21/32" (42)

Clear Opening Height:

- Clear Opening Height = Glass Size Height - 1 5/16" (33)
- Clear Opening Area (ft²) = (clear Opening Width x Clear Opening Height) / 144



Standard Unit Measurements: Single Hung / Double Hung - RT2

Standard Double Hung-NG 2.0 Unit Measurements for RT2																	
CN	Radius	Width				Height											
		Rough Opening		Frame Size		Daylight Opening		Glass Size		Rough Opening		Frame Size		Daylight Opening (Btm Sash)		Glass Size (Btm Sash)	
		ft - in	mm	ft - in	mm	ft - in	mm	ft - in	mm	ft - in	mm	ft - in	mm	ft - in	mm	ft - in	mm
2012	12 5/8	2-2 1/4	(667)	2-1 1/4	(641)	1-6 47/64	(476)	1-8	(508)	3-8 5/8	(1133)	3-8 1/8	(1121)	0-10 3/4	(273)	1-0	(305)
2014		2-2 1/4	(667)	2-1 1/4	(641)	1-6 47/64	(476)	1-8	(508)	4-0 5/8	(1235)	4-0 1/8	(1222)	1-0 3/4	(324)	1-2	(356)
2016		2-2 1/4	(667)	2-1 1/4	(641)	1-6 47/64	(476)	1-8	(508)	4-4 5/8	(1337)	4-4 1/8	(1324)	1-2 3/4	(375)	1-4	(406)
2018		2-2 1/4	(667)	2-1 1/4	(641)	1-6 47/64	(476)	1-8	(508)	4-8 5/8	(1438)	4-8 1/8	(1426)	1-4 3/4	(425)	1-6	(457)
2020		2-2 1/4	(667)	2-1 1/4	(641)	1-6 47/64	(476)	1-8	(508)	5-0 5/8	(1540)	5-0 1/8	(1527)	1-6 3/4	(476)	1-8	(508)
2022		2-2 1/4	(667)	2-1 1/4	(641)	1-6 47/64	(476)	1-8	(508)	5-4 5/8	(1641)	5-4 1/8	(1629)	1-8 3/4	(527)	1-10	(559)
2024		2-2 1/4	(667)	2-1 1/4	(641)	1-6 47/64	(476)	1-8	(508)	5-8 5/8	(1743)	5-8 1/8	(1730)	1-10 3/4	(578)	2-0	(610)
2026		2-2 1/4	(667)	2-1 1/4	(641)	1-6 47/64	(476)	1-8	(508)	6-0 5/8	(1845)	6-0 1/8	(1832)	2-0 3/4	(629)	2-2	(660)
2028		2-2 1/4	(667)	2-1 1/4	(641)	1-6 47/64	(476)	1-8	(508)	6-4 5/8	(1946)	6-4 1/8	(1934)	2-2 3/4	(679)	2-4	(711)
2030		2-2 1/4	(667)	2-1 1/4	(641)	1-6 47/64	(476)	1-8	(508)	6-8 5/8	(2048)	6-8 1/8	(2035)	2-4 3/4	(730)	2-6	(762)
2032		2-2 1/4	(667)	2-1 1/4	(641)	1-6 47/64	(476)	1-8	(508)	7-0 5/8	(2149)	7-0 1/8	(2137)	2-6 3/4	(781)	2-8	(813)
2034		2-2 1/4	(667)	2-1 1/4	(641)	1-6 47/64	(476)	1-8	(508)	7-4 5/8	(2251)	7-4 1/8	(2238)	2-8 3/4	(832)	2-10	(864)
2036		2-2 1/4	(667)	2-1 1/4	(641)	1-6 47/64	(476)	1-8	(508)	7-8 5/8	(2353)	7-8 1/8	(2340)	2-10 3/4	(883)	3-0	(914)
2040		2-2 1/4	(667)	2-1 1/4	(641)	1-6 47/64	(476)	1-8	(508)	8-4 5/8	(2556)	8-4 1/8	(2543)	3-2 3/4	(984)	3-4	(1016)
2042		2-2 1/4	(667)	2-1 1/4	(641)	1-6 47/64	(476)	1-8	(508)	8-8 5/8	(2657)	8-8 1/8	(2645)	3-4 3/4	(1035)	3-6	(1067)
2412		14 5/8	2-6 1/4	(768)	2-5 1/4	(743)	1-10 47/64	(577)	2-0	(610)	3-10 5/8	(1184)	3-10 1/8	(1172)	0-10 3/4	(273)	1-0
2414	2-6 1/4		(768)	2-5 1/4	(743)	1-10 47/64	(577)	2-0	(610)	4-2 5/8	(1286)	4-2 1/8	(1273)	1-0 3/4	(324)	1-2	(356)
2416	2-6 1/4		(768)	2-5 1/4	(743)	1-10 47/64	(577)	2-0	(610)	4-6 5/8	(1387)	4-6 1/8	(1375)	1-2 3/4	(375)	1-4	(406)
2418	2-6 1/4		(768)	2-5 1/4	(743)	1-10 47/64	(577)	2-0	(610)	4-10 5/8	(1489)	4-10 1/8	(1476)	1-4 3/4	(425)	1-6	(457)
2420	2-6 1/4		(768)	2-5 1/4	(743)	1-10 47/64	(577)	2-0	(610)	5-2 5/8	(1591)	5-2 1/8	(1578)	1-6 3/4	(476)	1-8	(508)
2422	2-6 1/4		(768)	2-5 1/4	(743)	1-10 47/64	(577)	2-0	(610)	5-6 5/8	(1692)	5-6 1/8	(1680)	1-8 3/4	(527)	1-10	(559)
2424	2-6 1/4		(768)	2-5 1/4	(743)	1-10 47/64	(577)	2-0	(610)	5-10 5/8	(1794)	5-10 1/8	(1781)	1-10 3/4	(578)	2-0	(610)
2426	2-6 1/4		(768)	2-5 1/4	(743)	1-10 47/64	(577)	2-0	(610)	6-2 5/8	(1895)	6-2 1/8	(1883)	2-0 3/4	(629)	2-2	(660)
2428	2-6 1/4		(768)	2-5 1/4	(743)	1-10 47/64	(577)	2-0	(610)	6-6 5/8	(1997)	6-6 1/8	(1984)	2-2 3/4	(679)	2-4	(711)
2430	2-6 1/4		(768)	2-5 1/4	(743)	1-10 47/64	(577)	2-0	(610)	6-10 5/8	(2099)	6-10 1/8	(2086)	2-4 3/4	(730)	2-6	(762)
2432	2-6 1/4		(768)	2-5 1/4	(743)	1-10 47/64	(577)	2-0	(610)	7-2 5/8	(2200)	7-2 1/8	(2188)	2-6 3/4	(781)	2-8	(813)
2434	2-6 1/4		(768)	2-5 1/4	(743)	1-10 47/64	(577)	2-0	(610)	7-6 5/8	(2302)	7-6 1/8	(2289)	2-8 3/4	(832)	2-10	(864)
2436	2-6 1/4		(768)	2-5 1/4	(743)	1-10 47/64	(577)	2-0	(610)	7-10 5/8	(2403)	7-10 1/8	(2391)	2-10 3/4	(883)	3-0	(914)
2440	2-6 1/4		(768)	2-5 1/4	(743)	1-10 47/64	(577)	2-0	(610)	8-6 5/8	(2607)	8-6 1/8	(2594)	3-2 3/4	(984)	3-4	(1016)
2442	2-6 1/4		(768)	2-5 1/4	(743)	1-10 47/64	(577)	2-0	(610)	8-10 5/8	(2708)	8-10 1/8	(2696)	3-4 3/4	(1035)	3-6	(1067)

Standard Unit Measurements: Single Hung / Double Hung - RT2 Continued

Standard Double Hung-NG 2.0 Unit Measurements for RT2																	
CN	Radius	Width						Height									
		Rough Opening		Frame Size		Daylight Opening		Glass Size		Rough Opening		Frame Size		Daylight Opening (Btm Sash)		Glass Size (Btm Sash)	
		ft - in	mm	ft - in	mm	ft - in	mm	ft - in	mm	ft - in	mm	ft - in	mm	ft - in	mm	ft - in	mm
2612	16 1/8	2-8 1/4	(819)	2-7 1/4	(794)	2-0 47/64	(628)	2-2	(660)	3-11 5/8	(1210)	3-11 1/8	(1197)	0-10 3/4	(273)	1-0	(305)
2614		2-8 1/4	(819)	2-7 1/4	(794)	2-0 47/64	(628)	2-2	(660)	4-3 5/8	(1311)	4-3 1/8	(1299)	1-0 3/4	(324)	1-2	(356)
2616		2-8 1/4	(819)	2-7 1/4	(794)	2-0 47/64	(628)	2-2	(660)	4-7 5/8	(1413)	4-7 1/8	(1400)	1-2 3/4	(375)	1-4	(406)
2618		2-8 1/4	(819)	2-7 1/4	(794)	2-0 47/64	(628)	2-2	(660)	4-11 5/8	(1514)	4-11 1/8	(1502)	1-4 3/4	(425)	1-6	(457)
2620		2-8 1/4	(819)	2-7 1/4	(794)	2-0 47/64	(628)	2-2	(660)	5-3 5/8	(1616)	5-3 1/8	(1603)	1-6 3/4	(476)	1-8	(508)
2622		2-8 1/4	(819)	2-7 1/4	(794)	2-0 47/64	(628)	2-2	(660)	5-7 5/8	(1718)	5-7 1/8	(1705)	1-8 3/4	(527)	1-10	(559)
2624		2-8 1/4	(819)	2-7 1/4	(794)	2-0 47/64	(628)	2-2	(660)	5-11 5/8	(1819)	5-11 1/8	(1807)	1-10 3/4	(578)	2-0	(610)
2626		2-8 1/4	(819)	2-7 1/4	(794)	2-0 47/64	(628)	2-2	(660)	6-3 5/8	(1921)	6-3 1/8	(1908)	2-0 3/4	(629)	2-2	(660)
2628		2-8 1/4	(819)	2-7 1/4	(794)	2-0 47/64	(628)	2-2	(660)	6-7 5/8	(2022)	6-7 1/8	(2010)	2-2 3/4	(679)	2-4	(711)
2630		2-8 1/4	(819)	2-7 1/4	(794)	2-0 47/64	(628)	2-2	(660)	6-11 5/8	(2124)	6-11 1/8	(2111)	2-4 3/4	(730)	2-6	(762)
2632		2-8 1/4	(819)	2-7 1/4	(794)	2-0 47/64	(628)	2-2	(660)	7-3 5/8	(2226)	7-3 1/8	(2213)	2-6 3/4	(781)	2-8	(813)
2634		2-8 1/4	(819)	2-7 1/4	(794)	2-0 47/64	(628)	2-2	(660)	7-7 5/8	(2327)	7-7 1/8	(2315)	2-8 3/4	(832)	2-10	(864)
2636		2-8 1/4	(819)	2-7 1/4	(794)	2-0 47/64	(628)	2-2	(660)	7-11 5/8	(2429)	7-11 1/8	(2416)	2-10 3/4	(883)	3-0	(914)
2640		2-8 1/4	(819)	2-7 1/4	(794)	2-0 47/64	(628)	2-2	(660)	8-7 5/8	(2632)	8-7 1/8	(2619)	3-2 3/4	(984)	3-4	(1016)
2642		2-8 1/4	(819)	2-7 1/4	(794)	2-0 47/64	(628)	2-2	(660)	8-11 5/8	(2734)	8-11 1/8	(2721)	3-4 3/4	(1035)	3-6	(1067)
2812	17 1/8	2-10 1/4	(870)	2-9 1/4	(845)	2-2 47/64	(679)	2-4	(711)	4-0 5/8	(1235)	4-0 1/8	(1222)	0-10 3/4	(273)	1-0	(305)
2814		2-10 1/4	(870)	2-9 1/4	(845)	2-2 47/64	(679)	2-4	(711)	4-4 5/8	(1337)	4-4 1/8	(1324)	1-0 3/4	(324)	1-2	(356)
2816		2-10 1/4	(870)	2-9 1/4	(845)	2-2 47/64	(679)	2-4	(711)	4-8 5/8	(1438)	4-8 1/8	(1426)	1-2 3/4	(375)	1-4	(406)
2818		2-10 1/4	(870)	2-9 1/4	(845)	2-2 47/64	(679)	2-4	(711)	5-0 5/8	(1540)	5-0 1/8	(1527)	1-4 3/4	(425)	1-6	(457)
2820		2-10 1/4	(870)	2-9 1/4	(845)	2-2 47/64	(679)	2-4	(711)	5-4 5/8	(1641)	5-4 1/8	(1629)	1-6 3/4	(476)	1-8	(508)
2822		2-10 1/4	(870)	2-9 1/4	(845)	2-2 47/64	(679)	2-4	(711)	5-8 5/8	(1743)	5-8 1/8	(1730)	1-8 3/4	(527)	1-10	(559)
2824		2-10 1/4	(870)	2-9 1/4	(845)	2-2 47/64	(679)	2-4	(711)	6-0 5/8	(1845)	6-0 1/8	(1832)	1-10 3/4	(578)	2-0	(610)
2826		2-10 1/4	(870)	2-9 1/4	(845)	2-2 47/64	(679)	2-4	(711)	6-4 5/8	(1946)	6-4 1/8	(1934)	2-0 3/4	(629)	2-2	(660)
2828		2-10 1/4	(870)	2-9 1/4	(845)	2-2 47/64	(679)	2-4	(711)	6-8 5/8	(2048)	6-8 1/8	(2035)	2-2 3/4	(679)	2-4	(711)
2830		2-10 1/4	(870)	2-9 1/4	(845)	2-2 47/64	(679)	2-4	(711)	7-0 5/8	(2149)	7-0 1/8	(2137)	2-4 3/4	(730)	2-6	(762)
2832		2-10 1/4	(870)	2-9 1/4	(845)	2-2 47/64	(679)	2-4	(711)	7-4 5/8	(2251)	7-4 1/8	(2238)	2-6 3/4	(781)	2-8	(813)
2834		2-10 1/4	(870)	2-9 1/4	(845)	2-2 47/64	(679)	2-4	(711)	7-8 5/8	(2353)	7-8 1/8	(2340)	2-8 3/4	(832)	2-10	(864)
2836		2-10 1/4	(870)	2-9 1/4	(845)	2-2 47/64	(679)	2-4	(711)	8-0 5/8	(2454)	8-0 1/8	(2442)	2-10 3/4	(883)	3-0	(914)
2840		2-10 1/4	(870)	2-9 1/4	(845)	2-2 47/64	(679)	2-4	(711)	8-8 5/8	(2657)	8-8 1/8	(2645)	3-2 3/4	(984)	3-4	(1016)
2842		2-10 1/4	(870)	2-9 1/4	(845)	2-2 47/64	(679)	2-4	(711)	9-0 5/8	(2759)	9-0 1/8	(2746)	3-4 3/4	(1035)	3-6	(1067)
3012	18 1/8	3-0 1/4	(921)	2-11 1/4	(895)	2-4 47/64	(730)	2-6	(762)	4-1 5/8	(1260)	4-1 1/8	(1248)	0-10 3/4	(273)	1-0	(305)
3014		3-0 1/4	(921)	2-11 1/4	(895)	2-4 47/64	(730)	2-6	(762)	4-5 5/8	(1362)	4-5 1/8	(1349)	1-0 3/4	(324)	1-2	(356)
3016		3-0 1/4	(921)	2-11 1/4	(895)	2-4 47/64	(730)	2-6	(762)	4-9 5/8	(1464)	4-9 1/8	(1451)	1-2 3/4	(375)	1-4	(406)
3018		3-0 1/4	(921)	2-11 1/4	(895)	2-4 47/64	(730)	2-6	(762)	5-1 5/8	(1565)	5-1 1/8	(1553)	1-4 3/4	(425)	1-6	(457)
3020		3-0 1/4	(921)	2-11 1/4	(895)	2-4 47/64	(730)	2-6	(762)	5-5 5/8	(1667)	5-5 1/8	(1654)	1-6 3/4	(476)	1-8	(508)
3022		3-0 1/4	(921)	2-11 1/4	(895)	2-4 47/64	(730)	2-6	(762)	5-9 5/8	(1768)	5-9 1/8	(1756)	1-8 3/4	(527)	1-10	(559)
3024		3-0 1/4	(921)	2-11 1/4	(895)	2-4 47/64	(730)	2-6	(762)	6-1 5/8	(1870)	6-1 1/8	(1857)	1-10 3/4	(578)	2-0	(610)
3026		3-0 1/4	(921)	2-11 1/4	(895)	2-4 47/64	(730)	2-6	(762)	6-5 5/8	(1972)	6-5 1/8	(1959)	2-0 3/4	(629)	2-2	(660)
3028		3-0 1/4	(921)	2-11 1/4	(895)	2-4 47/64	(730)	2-6	(762)	6-9 5/8	(2073)	6-9 1/8	(2061)	2-2 3/4	(679)	2-4	(711)
3030		3-0 1/4	(921)	2-11 1/4	(895)	2-4 47/64	(730)	2-6	(762)	7-1 5/8	(2175)	7-1 1/8	(2162)	2-4 3/4	(730)	2-6	(762)
3032		3-0 1/4	(921)	2-11 1/4	(895)	2-4 47/64	(730)	2-6	(762)	7-5 5/8	(2276)	7-5 1/8	(2264)	2-6 3/4	(781)	2-8	(813)
3034		3-0 1/4	(921)	2-11 1/4	(895)	2-4 47/64	(730)	2-6	(762)	7-9 5/8	(2378)	7-9 1/8	(2365)	2-8 3/4	(832)	2-10	(864)
3036		3-0 1/4	(921)	2-11 1/4	(895)	2-4 47/64	(730)	2-6	(762)	8-1 5/8	(2480)	8-1 1/8	(2467)	2-10 3/4	(883)	3-0	(914)
3040		3-0 1/4	(921)	2-11 1/4	(895)	2-4 47/64	(730)	2-6	(762)	8-9 5/8	(2683)	8-9 1/8	(2670)	3-2 3/4	(984)	3-4	(1016)
3042		3-0 1/4	(921)	2-11 1/4	(895)	2-4 47/64	(730)	2-6	(762)	9-1 5/8	(2784)	9-1 1/8	(2772)	3-4 3/4	(1035)	3-6	(1067)

Clad Ultimate Double Hung Round Top - Next Generation 2.0

Standard Unit Measurements: Single Hung / Double Hung - RT2 Continued

Standard Double Hung-NG 2.0 Unit Measurements for RT2																	
CN	Radius	Width				Height											
		Rough Opening		Frame Size		Daylight Opening		Glass Size		Rough Opening		Frame Size		Daylight Opening (Btm Sash)		Glass Size (Btm Sash)	
		ft - in	mm	ft - in	mm	ft - in	mm	ft - in	mm	ft - in	mm	ft - in	mm	ft - in	mm	ft - in	mm
3212	19 1/8	3-2 1/4	(972)	3-1 1/4	(946)	2-6 47/64	(781)	2-8	(813)	4-2 5/8	(1286)	4-2 1/8	(1273)	0-10 3/4	(273)	1-0	(305)
3214		3-2 1/4	(972)	3-1 1/4	(946)	2-6 47/64	(781)	2-8	(813)	4-6 5/8	(1387)	4-6 1/8	(1375)	1-0 3/4	(324)	1-2	(356)
3216		3-2 1/4	(972)	3-1 1/4	(946)	2-6 47/64	(781)	2-8	(813)	4-10 5/8	(1489)	4-10 1/8	(1476)	1-2 3/4	(375)	1-4	(406)
3218		3-2 1/4	(972)	3-1 1/4	(946)	2-6 47/64	(781)	2-8	(813)	5-2 5/8	(1591)	5-2 1/8	(1578)	1-4 3/4	(425)	1-6	(457)
3220		3-2 1/4	(972)	3-1 1/4	(946)	2-6 47/64	(781)	2-8	(813)	5-6 5/8	(1692)	5-6 1/8	(1680)	1-6 3/4	(476)	1-8	(508)
3222		3-2 1/4	(972)	3-1 1/4	(946)	2-6 47/64	(781)	2-8	(813)	5-10 5/8	(1794)	5-10 1/8	(1781)	1-8 3/4	(527)	1-10	(559)
3224		3-2 1/4	(972)	3-1 1/4	(946)	2-6 47/64	(781)	2-8	(813)	6-2 5/8	(1895)	6-2 1/8	(1883)	1-10 3/4	(578)	2-0	(610)
3226		3-2 1/4	(972)	3-1 1/4	(946)	2-6 47/64	(781)	2-8	(813)	6-6 5/8	(1997)	6-6 1/8	(1984)	2-0 3/4	(629)	2-2	(660)
3228		3-2 1/4	(972)	3-1 1/4	(946)	2-6 47/64	(781)	2-8	(813)	6-10 5/8	(2099)	6-10 1/8	(2086)	2-2 3/4	(679)	2-4	(711)
3230		3-2 1/4	(972)	3-1 1/4	(946)	2-6 47/64	(781)	2-8	(813)	7-2 5/8	(2200)	7-2 1/8	(2188)	2-4 3/4	(730)	2-6	(762)
3232		3-2 1/4	(972)	3-1 1/4	(946)	2-6 47/64	(781)	2-8	(813)	7-6 5/8	(2302)	7-6 1/8	(2289)	2-6 3/4	(781)	2-8	(813)
3234		3-2 1/4	(972)	3-1 1/4	(946)	2-6 47/64	(781)	2-8	(813)	7-10 5/8	(2403)	7-10 1/8	(2391)	2-8 3/4	(832)	2-10	(864)
3236		3-2 1/4	(972)	3-1 1/4	(946)	2-6 47/64	(781)	2-8	(813)	8-2 5/8	(2505)	8-2 1/8	(2492)	2-10 3/4	(883)	3-0	(914)
3240		3-2 1/4	(972)	3-1 1/4	(946)	2-6 47/64	(781)	2-8	(813)	8-10 5/8	(2708)	8-10 1/8	(2696)	3-2 3/4	(984)	3-4	(1016)
3242		3-2 1/4	(972)	3-1 1/4	(946)	2-6 47/64	(781)	2-8	(813)	9-2 5/8	(2810)	9-2 1/8	(2797)	3-4 3/4	(1035)	3-6	(1067)
3612		21 1/8	3-6 1/4	(1073)	3-5 1/4	(1048)	2-10 47/64	(882)	3-0	(914)	4-4 5/8	(1337)	4-4 1/8	(1324)	0-10 3/4	(273)	1-0
3614	3-6 1/4		(1073)	3-5 1/4	(1048)	2-10 47/64	(882)	3-0	(914)	4-8 5/8	(1438)	4-8 1/8	(1426)	1-0 3/4	(324)	1-2	(356)
3616	3-6 1/4		(1073)	3-5 1/4	(1048)	2-10 47/64	(882)	3-0	(914)	5-0 5/8	(1540)	5-0 1/8	(1527)	1-2 3/4	(375)	1-4	(406)
3618	3-6 1/4		(1073)	3-5 1/4	(1048)	2-10 47/64	(882)	3-0	(914)	5-4 5/8	(1641)	5-4 1/8	(1629)	1-4 3/4	(425)	1-6	(457)
3620	3-6 1/4		(1073)	3-5 1/4	(1048)	2-10 47/64	(882)	3-0	(914)	5-8 5/8	(1743)	5-8 1/8	(1730)	1-6 3/4	(476)	1-8	(508)
3622	3-6 1/4		(1073)	3-5 1/4	(1048)	2-10 47/64	(882)	3-0	(914)	6-0 5/8	(1845)	6-0 1/8	(1832)	1-8 3/4	(527)	1-10	(559)
3624	3-6 1/4		(1073)	3-5 1/4	(1048)	2-10 47/64	(882)	3-0	(914)	6-4 5/8	(1946)	6-4 1/8	(1934)	1-10 3/4	(578)	2-0	(610)
3626	3-6 1/4		(1073)	3-5 1/4	(1048)	2-10 47/64	(882)	3-0	(914)	6-8 5/8	(2048)	6-8 1/8	(2035)	2-0 3/4	(629)	2-2	(660)
3628	3-6 1/4		(1073)	3-5 1/4	(1048)	2-10 47/64	(882)	3-0	(914)	7-0 5/8	(2149)	7-0 1/8	(2137)	2-2 3/4	(679)	2-4	(711)
3630	3-6 1/4		(1073)	3-5 1/4	(1048)	2-10 47/64	(882)	3-0	(914)	7-4 5/8	(2251)	7-4 1/8	(2238)	2-4 3/4	(730)	2-6	(762)
3632	3-6 1/4		(1073)	3-5 1/4	(1048)	2-10 47/64	(882)	3-0	(914)	7-8 5/8	(2353)	7-8 1/8	(2340)	2-6 3/4	(781)	2-8	(813)
3634	3-6 1/4		(1073)	3-5 1/4	(1048)	2-10 47/64	(882)	3-0	(914)	8-0 5/8	(2454)	8-0 1/8	(2442)	2-8 3/4	(832)	2-10	(864)
3636	3-6 1/4		(1073)	3-5 1/4	(1048)	2-10 47/64	(882)	3-0	(914)	8-4 5/8	(2556)	8-4 1/8	(2543)	2-10 3/4	(883)	3-0	(914)
3640	3-6 1/4		(1073)	3-5 1/4	(1048)	2-10 47/64	(882)	3-0	(914)	9-0 5/8	(2759)	9-0 1/8	(2746)	3-2 3/4	(984)	3-4	(1016)
3642	3-6 1/4		(1073)	3-5 1/4	(1048)	2-10 47/64	(882)	3-0	(914)	9-4 5/8	(2861)	9-4 1/8	(2848)	3-4 3/4	(1035)	3-6	(1067)
4012	23 1/8		3-10 1/4	(1175)	3-9 1/4	(1149)	3-2 47/64	(984)	3-4	(1016)	4-6 5/8	(1387)	4-6 1/8	(1375)	0-10 3/4	(273)	1-0
4014		3-10 1/4	(1175)	3-9 1/4	(1149)	3-2 47/64	(984)	3-4	(1016)	4-10 5/8	(1489)	4-10 1/8	(1476)	1-0 3/4	(324)	1-2	(356)
4016		3-10 1/4	(1175)	3-9 1/4	(1149)	3-2 47/64	(984)	3-4	(1016)	5-2 5/8	(1591)	5-2 1/8	(1578)	1-2 3/4	(375)	1-4	(406)
4018		3-10 1/4	(1175)	3-9 1/4	(1149)	3-2 47/64	(984)	3-4	(1016)	5-6 5/8	(1692)	5-6 1/8	(1680)	1-4 3/4	(425)	1-6	(457)
4020		3-10 1/4	(1175)	3-9 1/4	(1149)	3-2 47/64	(984)	3-4	(1016)	5-10 5/8	(1794)	5-10 1/8	(1781)	1-6 3/4	(476)	1-8	(508)
4022		3-10 1/4	(1175)	3-9 1/4	(1149)	3-2 47/64	(984)	3-4	(1016)	6-2 5/8	(1895)	6-2 1/8	(1883)	1-8 3/4	(527)	1-10	(559)
4024		3-10 1/4	(1175)	3-9 1/4	(1149)	3-2 47/64	(984)	3-4	(1016)	6-6 5/8	(1997)	6-6 1/8	(1984)	1-10 3/4	(578)	2-0	(610)
4026		3-10 1/4	(1175)	3-9 1/4	(1149)	3-2 47/64	(984)	3-4	(1016)	6-10 5/8	(2099)	6-10 1/8	(2086)	2-0 3/4	(629)	2-2	(660)
4028		3-10 1/4	(1175)	3-9 1/4	(1149)	3-2 47/64	(984)	3-4	(1016)	7-2 5/8	(2200)	7-2 1/8	(2188)	2-2 3/4	(679)	2-4	(711)
4030		3-10 1/4	(1175)	3-9 1/4	(1149)	3-2 47/64	(984)	3-4	(1016)	7-6 5/8	(2302)	7-6 1/8	(2289)	2-4 3/4	(730)	2-6	(762)
4032		3-10 1/4	(1175)	3-9 1/4	(1149)	3-2 47/64	(984)	3-4	(1016)	7-10 5/8	(2403)	7-10 1/8	(2391)	2-6 3/4	(781)	2-8	(813)
4034		3-10 1/4	(1175)	3-9 1/4	(1149)	3-2 47/64	(984)	3-4	(1016)	8-2 5/8	(2505)	8-2 1/8	(2492)	2-8 3/4	(832)	2-10	(864)
4036		3-10 1/4	(1175)	3-9 1/4	(1149)	3-2 47/64	(984)	3-4	(1016)	8-6 5/8	(2607)	8-6 1/8	(2594)	2-10 3/4	(883)	3-0	(914)
4040		3-10 1/4	(1175)	3-9 1/4	(1149)	3-2 47/64	(984)	3-4	(1016)	9-2 5/8	(2810)	9-2 1/8	(2797)	3-2 3/4	(984)	3-4	(1016)
4042		3-10 1/4	(1175)	3-9 1/4	(1149)	3-2 47/64	(984)	3-4	(1016)	9-6 5/8	(2911)	9-6 1/8	(2899)	3-4 3/4	(1035)	3-6	(1067)

Standard Unit Measurements: Single Hung / Double Hung - RT2 Continued

Standard Double Hung-NG 2.0 Unit Measurements for RT2																	
CN	Radius	Width						Height									
		Rough Opening		Frame Size		Daylight Opening		Glass Size		Rough Opening		Frame Size		Daylight Opening (Btm Sash)		Glass Size (Btm Sash)	
		ft - in	mm	ft - in	mm	ft - in	mm	ft - in	mm	ft - in	mm	ft - in	mm	ft - in	mm	ft - in	mm
4412	25 1/8	4-2 1/4	(1276)	4-1 1/4	(1251)	3-6 47/64	(1085)	3-8	(1118)	4-8 5/8	(1438)	4-8 1/8	(1426)	0-10 3/4	(273)	1-0	(305)
4414		4-2 1/4	(1276)	4-1 1/4	(1251)	3-6 47/64	(1085)	3-8	(1118)	5-0 5/8	(1540)	5-0 1/8	(1527)	1-0 3/4	(324)	1-2	(356)
4416		4-2 1/4	(1276)	4-1 1/4	(1251)	3-6 47/64	(1085)	3-8	(1118)	5-4 5/8	(1641)	5-4 1/8	(1629)	1-2 3/4	(375)	1-4	(406)
4418		4-2 1/4	(1276)	4-1 1/4	(1251)	3-6 47/64	(1085)	3-8	(1118)	5-8 5/8	(1743)	5-8 1/8	(1730)	1-4 3/4	(425)	1-6	(457)
4420		4-2 1/4	(1276)	4-1 1/4	(1251)	3-6 47/64	(1085)	3-8	(1118)	6-0 5/8	(1845)	6-0 1/8	(1832)	1-6 3/4	(476)	1-8	(508)
4422		4-2 1/4	(1276)	4-1 1/4	(1251)	3-6 47/64	(1085)	3-8	(1118)	6-4 5/8	(1946)	6-4 1/8	(1934)	1-8 3/4	(527)	1-10	(559)
4424		4-2 1/4	(1276)	4-1 1/4	(1251)	3-6 47/64	(1085)	3-8	(1118)	6-8 5/8	(2048)	6-8 1/8	(2035)	1-10 3/4	(578)	2-0	(610)
4426		4-2 1/4	(1276)	4-1 1/4	(1251)	3-6 47/64	(1085)	3-8	(1118)	7-0 5/8	(2149)	7-0 1/8	(2137)	2-0 3/4	(629)	2-2	(660)
4428		4-2 1/4	(1276)	4-1 1/4	(1251)	3-6 47/64	(1085)	3-8	(1118)	7-4 5/8	(2251)	7-4 1/8	(2238)	2-2 3/4	(679)	2-4	(711)
4430		4-2 1/4	(1276)	4-1 1/4	(1251)	3-6 47/64	(1085)	3-8	(1118)	7-8 5/8	(2353)	7-8 1/8	(2340)	2-4 3/4	(730)	2-6	(762)
4432		4-2 1/4	(1276)	4-1 1/4	(1251)	3-6 47/64	(1085)	3-8	(1118)	8-0 5/8	(2454)	8-0 1/8	(2442)	2-6 3/4	(781)	2-8	(813)
4434		4-2 1/4	(1276)	4-1 1/4	(1251)	3-6 47/64	(1085)	3-8	(1118)	8-4 5/8	(2556)	8-4 1/8	(2543)	2-8 3/4	(832)	2-10	(864)
4436		4-2 1/4	(1276)	4-1 1/4	(1251)	3-6 47/64	(1085)	3-8	(1118)	8-8 5/8	(2657)	8-8 1/8	(2645)	2-10 3/4	(883)	3-0	(914)
4440		4-2 1/4	(1276)	4-1 1/4	(1251)	3-6 47/64	(1085)	3-8	(1118)	9-4 5/8	(2861)	9-4 1/8	(2848)	3-2 3/4	(984)	3-4	(1016)
4442		4-2 1/4	(1276)	4-1 1/4	(1251)	3-6 47/64	(1085)	3-8	(1118)	9-8 5/8	(2962)	9-8 1/8	(2950)	3-4 3/4	(1035)	3-6	(1067)
4812		27 1/8	4-6 1/4	(1378)	4-5 1/4	(1353)	3-10 47/64	(1187)	4-0	(1219)	4-10 5/8	(1489)	4-10 1/8	(1476)	0-10 3/4	(273)	1-0
4814	4-6 1/4		(1378)	4-5 1/4	(1353)	3-10 47/64	(1187)	4-0	(1219)	5-2 5/8	(1591)	5-2 1/8	(1578)	1-0 3/4	(324)	1-2	(356)
4816	4-6 1/4		(1378)	4-5 1/4	(1353)	3-10 47/64	(1187)	4-0	(1219)	5-6 5/8	(1692)	5-6 1/8	(1680)	1-2 3/4	(375)	1-4	(406)
4818	4-6 1/4		(1378)	4-5 1/4	(1353)	3-10 47/64	(1187)	4-0	(1219)	5-10 5/8	(1794)	5-10 1/8	(1781)	1-4 3/4	(425)	1-6	(457)
4820	4-6 1/4		(1378)	4-5 1/4	(1353)	3-10 47/64	(1187)	4-0	(1219)	6-2 5/8	(1895)	6-2 1/8	(1883)	1-6 3/4	(476)	1-8	(508)
4822	4-6 1/4		(1378)	4-5 1/4	(1353)	3-10 47/64	(1187)	4-0	(1219)	6-6 5/8	(1997)	6-6 1/8	(1984)	1-8 3/4	(527)	1-10	(559)
4824	4-6 1/4		(1378)	4-5 1/4	(1353)	3-10 47/64	(1187)	4-0	(1219)	6-10 5/8	(2099)	6-10 1/8	(2086)	1-10 3/4	(578)	2-0	(610)
4826	4-6 1/4		(1378)	4-5 1/4	(1353)	3-10 47/64	(1187)	4-0	(1219)	7-2 5/8	(2200)	7-2 1/8	(2188)	2-0 3/4	(629)	2-2	(660)
4828	4-6 1/4		(1378)	4-5 1/4	(1353)	3-10 47/64	(1187)	4-0	(1219)	7-6 5/8	(2302)	7-6 1/8	(2289)	2-2 3/4	(679)	2-4	(711)
4830	4-6 1/4		(1378)	4-5 1/4	(1353)	3-10 47/64	(1187)	4-0	(1219)	7-10 5/8	(2403)	7-10 1/8	(2391)	2-4 3/4	(730)	2-6	(762)
4832	4-6 1/4		(1378)	4-5 1/4	(1353)	3-10 47/64	(1187)	4-0	(1219)	8-2 5/8	(2505)	8-2 1/8	(2492)	2-6 3/4	(781)	2-8	(813)
4834	4-6 1/4		(1378)	4-5 1/4	(1353)	3-10 47/64	(1187)	4-0	(1219)	8-6 5/8	(2607)	8-6 1/8	(2594)	2-8 3/4	(832)	2-10	(864)
4836	4-6 1/4		(1378)	4-5 1/4	(1353)	3-10 47/64	(1187)	4-0	(1219)	8-10 5/8	(2708)	8-10 1/8	(2696)	2-10 3/4	(883)	3-0	(914)
4840	4-6 1/4		(1378)	4-5 1/4	(1353)	3-10 47/64	(1187)	4-0	(1219)	9-6 5/8	(2911)	9-6 1/8	(2899)	3-2 3/4	(984)	3-4	(1016)
4842	4-6 1/4		(1378)	4-5 1/4	(1353)	3-10 47/64	(1187)	4-0	(1219)	9-10 5/8	(3013)	9-10 1/8	(3000)	3-4 3/4	(1035)	3-6	(1067)
5412	30 1/8		5-0 1/4	(1530)	4-11 1/4	(1505)	4-4 47/64	(1339)	4-6	(1372)	5-1 5/8	(1565)	5-1 1/8	(1553)	0-10 3/4	(273)	1-0
5414		5-0 1/4	(1530)	4-11 1/4	(1505)	4-4 47/64	(1339)	4-6	(1372)	5-5 5/8	(1667)	5-5 1/8	(1654)	1-0 3/4	(324)	1-2	(356)
5416		5-0 1/4	(1530)	4-11 1/4	(1505)	4-4 47/64	(1339)	4-6	(1372)	5-9 5/8	(1768)	5-9 1/8	(1756)	1-2 3/4	(375)	1-4	(406)
5418		5-0 1/4	(1530)	4-11 1/4	(1505)	4-4 47/64	(1339)	4-6	(1372)	6-1 5/8	(1870)	6-1 1/8	(1857)	1-4 3/4	(425)	1-6	(457)
5420		5-0 1/4	(1530)	4-11 1/4	(1505)	4-4 47/64	(1339)	4-6	(1372)	6-5 5/8	(1972)	6-5 1/8	(1959)	1-6 3/4	(476)	1-8	(508)
5422		5-0 1/4	(1530)	4-11 1/4	(1505)	4-4 47/64	(1339)	4-6	(1372)	6-9 5/8	(2073)	6-9 1/8	(2061)	1-8 3/4	(527)	1-10	(559)
5424		5-0 1/4	(1530)	4-11 1/4	(1505)	4-4 47/64	(1339)	4-6	(1372)	7-1 5/8	(2175)	7-1 1/8	(2162)	1-10 3/4	(578)	2-0	(610)
5426		5-0 1/4	(1530)	4-11 1/4	(1505)	4-4 47/64	(1339)	4-6	(1372)	7-5 5/8	(2276)	7-5 1/8	(2264)	2-0 3/4	(629)	2-2	(660)
5428		5-0 1/4	(1530)	4-11 1/4	(1505)	4-4 47/64	(1339)	4-6	(1372)	7-9 5/8	(2378)	7-9 1/8	(2365)	2-2 3/4	(679)	2-4	(711)
5430		5-0 1/4	(1530)	4-11 1/4	(1505)	4-4 47/64	(1339)	4-6	(1372)	8-1 5/8	(2480)	8-1 1/8	(2467)	2-4 3/4	(730)	2-6	(762)
5432		5-0 1/4	(1530)	4-11 1/4	(1505)	4-4 47/64	(1339)	4-6	(1372)	8-5 5/8	(2581)	8-5 1/8	(2569)	2-6 3/4	(781)	2-8	(813)
5434		5-0 1/4	(1530)	4-11 1/4	(1505)	4-4 47/64	(1339)	4-6	(1372)	8-9 5/8	(2683)	8-9 1/8	(2670)	2-8 3/4	(832)	2-10	(864)
5436		5-0 1/4	(1530)	4-11 1/4	(1505)	4-4 47/64	(1339)	4-6	(1372)	9-1 5/8	(2784)	9-1 1/8	(2772)	2-10 3/4	(883)	3-0	(914)
5440		5-0 1/4	(1530)	4-11 1/4	(1505)	4-4 47/64	(1339)	4-6	(1372)	9-9 5/8	(2988)	9-9 1/8	(2975)	3-2 3/4	(984)	3-4	(1016)

Clad Ultimate Double Hung Round Top - Next Generation 2.0

Standard Unit Measurements: Single Hung / Double Hung - RT6

Standard Double Hung-NG 2.0 Unit Measurements for RT6																	
CN	Radius	Width								Height							
		Rough Opening		Frame Size		Daylight Opening		Glass Size		Rough Opening		Frame Size		Daylight Opening (Btm Sash)		Glass Size (Btm Sash)	
		ft - in	mm	ft - in	mm	ft - in	mm	ft - in	mm	ft - in	mm	ft - in	mm	ft - in	mm	ft - in	mm
1612	24	1-10 1/4	(565)	1-9 1/4	(540)	1-2 47/64	(374)	1-4	(406)	2-10 31/64	(876)	2-9 63/64	(863)	0-10 3/4	(273)	1-0	(305)
1614		1-10 1/4	(565)	1-9 1/4	(540)	1-2 47/64	(374)	1-4	(406)	3-2 31/64	(977)	3-1 63/64	(965)	1-0 3/4	(324)	1-2	(356)
1616		1-10 1/4	(565)	1-9 1/4	(540)	1-2 47/64	(374)	1-4	(406)	3-6 31/64	(1079)	3-5 63/64	(1066)	1-2 3/4	(375)	1-4	(406)
1618		1-10 1/4	(565)	1-9 1/4	(540)	1-2 47/64	(374)	1-4	(406)	3-10 31/64	(1181)	3-9 63/64	(1168)	1-4 3/4	(425)	1-6	(457)
1620		1-10 1/4	(565)	1-9 1/4	(540)	1-2 47/64	(374)	1-4	(406)	4-2 31/64	(1282)	4-1 63/64	(1269)	1-6 3/4	(476)	1-8	(508)
1622		1-10 1/4	(565)	1-9 1/4	(540)	1-2 47/64	(374)	1-4	(406)	4-6 31/64	(1384)	4-5 63/64	(1371)	1-8 3/4	(527)	1-10	(559)
1624		1-10 1/4	(565)	1-9 1/4	(540)	1-2 47/64	(374)	1-4	(406)	4-10 31/64	(1485)	4-9 63/64	(1473)	1-10 3/4	(578)	2-0	(610)
1626		1-10 1/4	(565)	1-9 1/4	(540)	1-2 47/64	(374)	1-4	(406)	5-2 31/64	(1587)	5-1 63/64	(1574)	2-0 3/4	(629)	2-2	(660)
1628		1-10 1/4	(565)	1-9 1/4	(540)	1-2 47/64	(374)	1-4	(406)	5-6 31/64	(1689)	5-5 63/64	(1676)	2-2 3/4	(679)	2-4	(711)
1630		1-10 1/4	(565)	1-9 1/4	(540)	1-2 47/64	(374)	1-4	(406)	5-10 31/64	(1790)	5-9 63/64	(1777)	2-4 3/4	(730)	2-6	(762)
1632		1-10 1/4	(565)	1-9 1/4	(540)	1-2 47/64	(374)	1-4	(406)	6-2 31/64	(1892)	6-1 63/64	(1879)	2-6 3/4	(781)	2-8	(813)
1634		1-10 1/4	(565)	1-9 1/4	(540)	1-2 47/64	(374)	1-4	(406)	6-6 31/64	(1993)	6-5 63/64	(1981)	2-8 3/4	(832)	2-10	(864)
1636		1-10 1/4	(565)	1-9 1/4	(540)	1-2 47/64	(374)	1-4	(406)	6-10 31/64	(2095)	6-9 63/64	(2082)	2-10 3/4	(883)	3-0	(914)
1640		1-10 1/4	(565)	1-9 1/4	(540)	1-2 47/64	(374)	1-4	(406)	7-6 31/64	(2298)	7-5 63/64	(2285)	3-2 3/4	(984)	3-4	(1016)
1642		1-10 1/4	(565)	1-9 1/4	(540)	1-2 47/64	(374)	1-4	(406)	7-10 31/64	(2400)	7-9 63/64	(2387)	3-4 3/4	(1035)	3-6	(1067)
1650		1-10 1/4	(565)	1-9 1/4	(540)	1-2 47/64	(374)	1-4	(406)	9-2 31/64	(2806)	9-1 63/64	(2793)	4-0 3/4	(1238)	4-2	(1270)
2012	24	2-2 1/4	(667)	2-1 1/4	(641)	1-6 47/64	(476)	1-8	(508)	2-11 19/32	(904)	2-11 3/32	(891)	0-10 3/4	(273)	1-0	(305)
2014		2-2 1/4	(667)	2-1 1/4	(641)	1-6 47/64	(476)	1-8	(508)	3-3 19/32	(1006)	3-3 3/32	(993)	1-0 3/4	(324)	1-2	(356)
2016		2-2 1/4	(667)	2-1 1/4	(641)	1-6 47/64	(476)	1-8	(508)	3-7 19/32	(1107)	3-7 3/32	(1094)	1-2 3/4	(375)	1-4	(406)
2018		2-2 1/4	(667)	2-1 1/4	(641)	1-6 47/64	(476)	1-8	(508)	3-11 19/32	(1209)	3-11 3/32	(1196)	1-4 3/4	(425)	1-6	(457)
2020		2-2 1/4	(667)	2-1 1/4	(641)	1-6 47/64	(476)	1-8	(508)	4-3 19/32	(1310)	4-3 3/32	(1298)	1-6 3/4	(476)	1-8	(508)
2022		2-2 1/4	(667)	2-1 1/4	(641)	1-6 47/64	(476)	1-8	(508)	4-7 19/32	(1412)	4-7 3/32	(1399)	1-8 3/4	(527)	1-10	(559)
2024		2-2 1/4	(667)	2-1 1/4	(641)	1-6 47/64	(476)	1-8	(508)	4-11 19/32	(1514)	4-11 3/32	(1501)	1-10 3/4	(578)	2-0	(610)
2026		2-2 1/4	(667)	2-1 1/4	(641)	1-6 47/64	(476)	1-8	(508)	5-3 19/32	(1615)	5-3 3/32	(1602)	2-0 3/4	(629)	2-2	(660)
2028		2-2 1/4	(667)	2-1 1/4	(641)	1-6 47/64	(476)	1-8	(508)	5-7 19/32	(1717)	5-7 3/32	(1704)	2-2 3/4	(679)	2-4	(711)
2030		2-2 1/4	(667)	2-1 1/4	(641)	1-6 47/64	(476)	1-8	(508)	5-11 19/32	(1818)	5-11 3/32	(1806)	2-4 3/4	(730)	2-6	(762)
2032		2-2 1/4	(667)	2-1 1/4	(641)	1-6 47/64	(476)	1-8	(508)	6-3 19/32	(1920)	6-3 3/32	(1907)	2-6 3/4	(781)	2-8	(813)
2034		2-2 1/4	(667)	2-1 1/4	(641)	1-6 47/64	(476)	1-8	(508)	6-7 19/32	(2022)	6-7 3/32	(2009)	2-8 3/4	(832)	2-10	(864)
2036		2-2 1/4	(667)	2-1 1/4	(641)	1-6 47/64	(476)	1-8	(508)	6-11 19/32	(2123)	6-11 3/32	(2110)	2-10 3/4	(883)	3-0	(914)
2040		2-2 1/4	(667)	2-1 1/4	(641)	1-6 47/64	(476)	1-8	(508)	7-7 19/32	(2326)	7-7 3/32	(2314)	3-2 3/4	(984)	3-4	(1016)
2042		2-2 1/4	(667)	2-1 1/4	(641)	1-6 47/64	(476)	1-8	(508)	7-11 19/32	(2428)	7-11 3/32	(2415)	3-4 3/4	(1035)	3-6	(1067)
2050		2-2 1/4	(667)	2-1 1/4	(641)	1-6 47/64	(476)	1-8	(508)	9-3 19/32	(2834)	9-3 3/32	(2822)	4-0 3/4	(1238)	4-2	(1270)
2412	24	2-6 1/4	(768)	2-5 1/4	(743)	1-10 47/64	(577)	2-0	(610)	3-0 31/32	(939)	3-0 15/32	(926)	0-10 3/4	(273)	1-0	(305)
2414		2-6 1/4	(768)	2-5 1/4	(743)	1-10 47/64	(577)	2-0	(610)	3-4 31/32	(1041)	3-4 15/32	(1028)	1-0 3/4	(324)	1-2	(356)
2416		2-6 1/4	(768)	2-5 1/4	(743)	1-10 47/64	(577)	2-0	(610)	3-8 31/32	(1142)	3-8 15/32	(1130)	1-2 3/4	(375)	1-4	(406)
2418		2-6 1/4	(768)	2-5 1/4	(743)	1-10 47/64	(577)	2-0	(610)	4-0 31/32	(1244)	4-0 15/32	(1231)	1-4 3/4	(425)	1-6	(457)
2420		2-6 1/4	(768)	2-5 1/4	(743)	1-10 47/64	(577)	2-0	(610)	4-4 31/32	(1345)	4-4 15/32	(1333)	1-6 3/4	(476)	1-8	(508)
2422		2-6 1/4	(768)	2-5 1/4	(743)	1-10 47/64	(577)	2-0	(610)	4-8 31/32	(1447)	4-8 15/32	(1434)	1-8 3/4	(527)	1-10	(559)
2424		2-6 1/4	(768)	2-5 1/4	(743)	1-10 47/64	(577)	2-0	(610)	5-0 31/32	(1549)	5-0 15/32	(1536)	1-10 3/4	(578)	2-0	(610)
2426		2-6 1/4	(768)	2-5 1/4	(743)	1-10 47/64	(577)	2-0	(610)	5-4 31/32	(1650)	5-4 15/32	(1638)	2-0 3/4	(629)	2-2	(660)
2428		2-6 1/4	(768)	2-5 1/4	(743)	1-10 47/64	(577)	2-0	(610)	5-8 31/32	(1752)	5-8 15/32	(1739)	2-2 3/4	(679)	2-4	(711)
2430		2-6 1/4	(768)	2-5 1/4	(743)	1-10 47/64	(577)	2-0	(610)	6-0 31/32	(1853)	6-0 15/32	(1841)	2-4 3/4	(730)	2-6	(762)
2432		2-6 1/4	(768)	2-5 1/4	(743)	1-10 47/64	(577)	2-0	(610)	6-4 31/32	(1955)	6-4 15/32	(1942)	2-6 3/4	(781)	2-8	(813)
2434		2-6 1/4	(768)	2-5 1/4	(743)	1-10 47/64	(577)	2-0	(610)	6-8 31/32	(2057)	6-8 15/32	(2044)	2-8 3/4	(832)	2-10	(864)
2436		2-6 1/4	(768)	2-5 1/4	(743)	1-10 47/64	(577)	2-0	(610)	7-0 31/32	(2158)	7-0 15/32	(2146)	2-10 3/4	(883)	3-0	(914)
2440		2-6 1/4	(768)	2-5 1/4	(743)	1-10 47/64	(577)	2-0	(610)	7-8 31/32	(2361)	7-8 15/32	(2349)	3-2 3/4	(984)	3-4	(1016)
2442		2-6 1/4	(768)	2-5 1/4	(743)	1-10 47/64	(577)	2-0	(610)	8-0 31/32	(2463)	8-0 15/32	(2450)	3-4 3/4	(1035)	3-6	(1067)
2450		2-6 1/4	(768)	2-5 1/4	(743)	1-10 47/64	(577)	2-0	(610)	9-4 31/32	(2869)	9-4 15/32	(2857)	4-0 3/4	(1238)	4-2	(1270)

Clad Ultimate Double Hung Round Top - Next Generation 2.0

Standard Unit Measurements: Single Hung / Double Hung - RT6 Continued

Standard Double Hung-NG 2.0 Unit Measurements for RT6																		
CN	Radius	Width						Height										
		Rough Opening		Frame Size		Daylight Opening		Glass Size		Rough Opening		Frame Size		Daylight Opening (Btm Sash)		Glass Size (Btm Sash)		
		ft - in	mm	ft - in	mm	ft - in	mm	ft - in	mm	ft - in	mm	ft - in	mm	ft - in	mm	ft - in	mm	
2612	30	2-8 1/4	(819)	2-7 1/4	(794)	2-0 47/64	(628)	2-2	(660)	3-0 25/64	(924)	2-11 57/64	(912)	0-10 3/4	(273)	1-0	(305)	
2614		2-8 1/4	(819)	2-7 1/4	(794)	2-0 47/64	(628)	2-2	(660)	3-4 25/64	(1026)	3-3 57/64	(1013)	1-0 3/4	(324)	1-2	(356)	
2616		2-8 1/4	(819)	2-7 1/4	(794)	2-0 47/64	(628)	2-2	(660)	3-8 25/64	(1128)	3-7 57/64	(1115)	1-2 3/4	(375)	1-4	(406)	
2618		2-8 1/4	(819)	2-7 1/4	(794)	2-0 47/64	(628)	2-2	(660)	4-0 25/64	(1229)	3-11 57/64	(1216)	1-4 3/4	(425)	1-6	(457)	
2620		2-8 1/4	(819)	2-7 1/4	(794)	2-0 47/64	(628)	2-2	(660)	4-4 25/64	(1331)	4-3 57/64	(1318)	1-6 3/4	(476)	1-8	(508)	
2622		2-8 1/4	(819)	2-7 1/4	(794)	2-0 47/64	(628)	2-2	(660)	4-8 25/64	(1432)	4-7 57/64	(1420)	1-8 3/4	(527)	1-10	(559)	
2624		2-8 1/4	(819)	2-7 1/4	(794)	2-0 47/64	(628)	2-2	(660)	5-0 25/64	(1534)	4-11 57/64	(1521)	1-10 3/4	(578)	2-0	(610)	
2626		2-8 1/4	(819)	2-7 1/4	(794)	2-0 47/64	(628)	2-2	(660)	5-4 25/64	(1636)	5-3 57/64	(1623)	2-0 3/4	(629)	2-2	(660)	
2628		2-8 1/4	(819)	2-7 1/4	(794)	2-0 47/64	(628)	2-2	(660)	5-8 25/64	(1737)	5-7 57/64	(1724)	2-2 3/4	(679)	2-4	(711)	
2630		2-8 1/4	(819)	2-7 1/4	(794)	2-0 47/64	(628)	2-2	(660)	6-0 25/64	(1839)	5-11 57/64	(1826)	2-4 3/4	(730)	2-6	(762)	
2632		2-8 1/4	(819)	2-7 1/4	(794)	2-0 47/64	(628)	2-2	(660)	6-4 25/64	(1940)	6-3 57/64	(1928)	2-6 3/4	(781)	2-8	(813)	
2634		2-8 1/4	(819)	2-7 1/4	(794)	2-0 47/64	(628)	2-2	(660)	6-8 25/64	(2042)	6-7 57/64	(2029)	2-8 3/4	(832)	2-10	(864)	
2636		2-8 1/4	(819)	2-7 1/4	(794)	2-0 47/64	(628)	2-2	(660)	7-0 25/64	(2144)	6-11 57/64	(2131)	2-10 3/4	(883)	3-0	(914)	
2640		2-8 1/4	(819)	2-7 1/4	(794)	2-0 47/64	(628)	2-2	(660)	7-8 25/64	(2347)	7-7 57/64	(2334)	3-2 3/4	(984)	3-4	(1016)	
2642		2-8 1/4	(819)	2-7 1/4	(794)	2-0 47/64	(628)	2-2	(660)	8-0 25/64	(2448)	7-11 57/64	(2436)	3-4 3/4	(1035)	3-6	(1067)	
2650		2-8 1/4	(819)	2-7 1/4	(794)	2-0 47/64	(628)	2-2	(660)	9-4 25/64	(2855)	9-3 57/64	(2842)	4-0 3/4	(1238)	4-2	(1270)	
2812		30	2-10 1/4	(870)	2-9 1/4	(845)	2-2 47/64	(679)	2-4	(711)	3-1 1/32	(941)	3-0 17/32	(928)	0-10 3/4	(273)	1-0	(305)
2814			2-10 1/4	(870)	2-9 1/4	(845)	2-2 47/64	(679)	2-4	(711)	3-5 1/32	(1042)	3-4 17/32	(1029)	1-0 3/4	(324)	1-2	(356)
2816	2-10 1/4		(870)	2-9 1/4	(845)	2-2 47/64	(679)	2-4	(711)	3-9 1/32	(1144)	3-8 17/32	(1131)	1-2 3/4	(375)	1-4	(406)	
2818	2-10 1/4		(870)	2-9 1/4	(845)	2-2 47/64	(679)	2-4	(711)	4-1 1/32	(1245)	4-0 17/32	(1233)	1-4 3/4	(425)	1-6	(457)	
2820	2-10 1/4		(870)	2-9 1/4	(845)	2-2 47/64	(679)	2-4	(711)	4-5 1/32	(1347)	4-4 17/32	(1334)	1-6 3/4	(476)	1-8	(508)	
2822	2-10 1/4		(870)	2-9 1/4	(845)	2-2 47/64	(679)	2-4	(711)	4-9 1/32	(1449)	4-8 17/32	(1436)	1-8 3/4	(527)	1-10	(559)	
2824	2-10 1/4		(870)	2-9 1/4	(845)	2-2 47/64	(679)	2-4	(711)	5-1 1/32	(1550)	5-0 17/32	(1537)	1-10 3/4	(578)	2-0	(610)	
2826	2-10 1/4		(870)	2-9 1/4	(845)	2-2 47/64	(679)	2-4	(711)	5-5 1/32	(1652)	5-4 17/32	(1639)	2-0 3/4	(629)	2-2	(660)	
2828	2-10 1/4		(870)	2-9 1/4	(845)	2-2 47/64	(679)	2-4	(711)	5-9 1/32	(1753)	5-8 17/32	(1741)	2-2 3/4	(679)	2-4	(711)	
2830	2-10 1/4		(870)	2-9 1/4	(845)	2-2 47/64	(679)	2-4	(711)	6-1 1/32	(1855)	6-0 17/32	(1842)	2-4 3/4	(730)	2-6	(762)	
2832	2-10 1/4		(870)	2-9 1/4	(845)	2-2 47/64	(679)	2-4	(711)	6-5 1/32	(1957)	6-4 17/32	(1944)	2-6 3/4	(781)	2-8	(813)	
2834	2-10 1/4		(870)	2-9 1/4	(845)	2-2 47/64	(679)	2-4	(711)	6-9 1/32	(2058)	6-8 17/32	(2045)	2-8 3/4	(832)	2-10	(864)	
2836	2-10 1/4		(870)	2-9 1/4	(845)	2-2 47/64	(679)	2-4	(711)	7-1 1/32	(2160)	7-0 17/32	(2147)	2-10 3/4	(883)	3-0	(914)	
2840	2-10 1/4		(870)	2-9 1/4	(845)	2-2 47/64	(679)	2-4	(711)	7-9 1/32	(2363)	7-8 17/32	(2350)	3-2 3/4	(984)	3-4	(1016)	
2842	2-10 1/4		(870)	2-9 1/4	(845)	2-2 47/64	(679)	2-4	(711)	8-1 1/32	(2465)	8-0 17/32	(2452)	3-4 3/4	(1035)	3-6	(1067)	
2850	2-10 1/4		(870)	2-9 1/4	(845)	2-2 47/64	(679)	2-4	(711)	9-5 1/32	(2871)	9-4 17/32	(2858)	4-0 3/4	(1238)	4-2	(1270)	
3012	30		3-0 1/4	(921)	2-11 1/4	(895)	2-4 47/64	(730)	2-6	(762)	3-1 23/32	(958)	3-1 7/32	(945)	0-10 3/4	(273)	1-0	(305)
3014			3-0 1/4	(921)	2-11 1/4	(895)	2-4 47/64	(730)	2-6	(762)	3-5 23/32	(1060)	3-5 7/32	(1047)	1-0 3/4	(324)	1-2	(356)
3016		3-0 1/4	(921)	2-11 1/4	(895)	2-4 47/64	(730)	2-6	(762)	3-9 23/32	(1161)	3-9 7/32	(1149)	1-2 3/4	(375)	1-4	(406)	
3018		3-0 1/4	(921)	2-11 1/4	(895)	2-4 47/64	(730)	2-6	(762)	4-1 23/32	(1263)	4-1 7/32	(1250)	1-4 3/4	(425)	1-6	(457)	
3020		3-0 1/4	(921)	2-11 1/4	(895)	2-4 47/64	(730)	2-6	(762)	4-5 23/32	(1365)	4-5 7/32	(1352)	1-6 3/4	(476)	1-8	(508)	
3022		3-0 1/4	(921)	2-11 1/4	(895)	2-4 47/64	(730)	2-6	(762)	4-9 23/32	(1466)	4-9 7/32	(1453)	1-8 3/4	(527)	1-10	(559)	
3024		3-0 1/4	(921)	2-11 1/4	(895)	2-4 47/64	(730)	2-6	(762)	5-1 23/32	(1568)	5-1 7/32	(1555)	1-10 3/4	(578)	2-0	(610)	
3026		3-0 1/4	(921)	2-11 1/4	(895)	2-4 47/64	(730)	2-6	(762)	5-5 23/32	(1669)	5-5 7/32	(1657)	2-0 3/4	(629)	2-2	(660)	
3028		3-0 1/4	(921)	2-11 1/4	(895)	2-4 47/64	(730)	2-6	(762)	5-9 23/32	(1771)	5-9 7/32	(1758)	2-2 3/4	(679)	2-4	(711)	
3030		3-0 1/4	(921)	2-11 1/4	(895)	2-4 47/64	(730)	2-6	(762)	6-1 23/32	(1873)	6-1 7/32	(1860)	2-4 3/4	(730)	2-6	(762)	
3032		3-0 1/4	(921)	2-11 1/4	(895)	2-4 47/64	(730)	2-6	(762)	6-5 23/32	(1974)	6-5 7/32	(1961)	2-6 3/4	(781)	2-8	(813)	
3034		3-0 1/4	(921)	2-11 1/4	(895)	2-4 47/64	(730)	2-6	(762)	6-9 23/32	(2076)	6-9 7/32	(2063)	2-8 3/4	(832)	2-10	(864)	
3036		3-0 1/4	(921)	2-11 1/4	(895)	2-4 47/64	(730)	2-6	(762)	7-1 23/32	(2177)	7-1 7/32	(2165)	2-10 3/4	(883)	3-0	(914)	
3040		3-0 1/4	(921)	2-11 1/4	(895)	2-4 47/64	(730)	2-6	(762)	7-9 23/32	(2381)	7-9 7/32	(2368)	3-2 3/4	(984)	3-4	(1016)	
3042		3-0 1/4	(921)	2-11 1/4	(895)	2-4 47/64	(730)	2-6	(762)	8-1 23/32	(2482)	8-1 7/32	(2469)	3-4 3/4	(1035)	3-6	(1067)	
3050		3-0 1/4	(921)	2-11 1/4	(895)	2-4 47/64	(730)	2-6	(762)	9-5 23/32	(2889)	9-5 7/32	(2876)	4-0 3/4	(1238)	4-2	(1270)	

Standard Unit Measurements: Single Hung / Double Hung - RT6 Continued

Standard Double Hung-NG 2.0 Unit Measurements for RT6																	
CN	Radius	Width								Height							
		Rough Opening		Frame Size		Daylight Opening		Glass Size		Rough Opening		Frame Size		Daylight Opening (Btm Sash)		Glass Size (Btm Sash)	
		ft - in	mm	ft - in	mm	ft - in	mm	ft - in	mm	ft - in	mm	ft - in	mm	ft - in	mm	ft - in	mm
3212	40	3-2 1/4	(972)	3-1 1/4	(946)	2-6 47/64	(781)	2-8	(813)	3-0 19/32	(930)	3-0 3/32	(917)	0-10 3/4	(273)	1-0	(305)
3214		3-2 1/4	(972)	3-1 1/4	(946)	2-6 47/64	(781)	2-8	(813)	3-4 19/32	(1031)	3-4 3/32	(1019)	1-0 3/4	(324)	1-2	(356)
3216		3-2 1/4	(972)	3-1 1/4	(946)	2-6 47/64	(781)	2-8	(813)	3-8 19/32	(1133)	3-8 3/32	(1120)	1-2 3/4	(375)	1-4	(406)
3218		3-2 1/4	(972)	3-1 1/4	(946)	2-6 47/64	(781)	2-8	(813)	4-0 19/32	(1234)	4-0 3/32	(1222)	1-4 3/4	(425)	1-6	(457)
3220		3-2 1/4	(972)	3-1 1/4	(946)	2-6 47/64	(781)	2-8	(813)	4-4 19/32	(1336)	4-4 3/32	(1323)	1-6 3/4	(476)	1-8	(508)
3222		3-2 1/4	(972)	3-1 1/4	(946)	2-6 47/64	(781)	2-8	(813)	4-8 19/32	(1438)	4-8 3/32	(1425)	1-8 3/4	(527)	1-10	(559)
3224		3-2 1/4	(972)	3-1 1/4	(946)	2-6 47/64	(781)	2-8	(813)	5-0 19/32	(1539)	5-0 3/32	(1527)	1-10 3/4	(578)	2-0	(610)
3226		3-2 1/4	(972)	3-1 1/4	(946)	2-6 47/64	(781)	2-8	(813)	5-4 19/32	(1641)	5-4 3/32	(1628)	2-0 3/4	(629)	2-2	(660)
3228		3-2 1/4	(972)	3-1 1/4	(946)	2-6 47/64	(781)	2-8	(813)	5-8 19/32	(1742)	5-8 3/32	(1730)	2-2 3/4	(679)	2-4	(711)
3230		3-2 1/4	(972)	3-1 1/4	(946)	2-6 47/64	(781)	2-8	(813)	6-0 19/32	(1844)	6-0 3/32	(1831)	2-4 3/4	(730)	2-6	(762)
3232		3-2 1/4	(972)	3-1 1/4	(946)	2-6 47/64	(781)	2-8	(813)	6-4 19/32	(1946)	6-4 3/32	(1933)	2-6 3/4	(781)	2-8	(813)
3234		3-2 1/4	(972)	3-1 1/4	(946)	2-6 47/64	(781)	2-8	(813)	6-8 19/32	(2047)	6-8 3/32	(2035)	2-8 3/4	(832)	2-10	(864)
3236		3-2 1/4	(972)	3-1 1/4	(946)	2-6 47/64	(781)	2-8	(813)	7-0 19/32	(2149)	7-0 3/32	(2136)	2-10 3/4	(883)	3-0	(914)
3240		3-2 1/4	(972)	3-1 1/4	(946)	2-6 47/64	(781)	2-8	(813)	7-8 19/32	(2352)	7-8 3/32	(2339)	3-2 3/4	(984)	3-4	(1016)
3242		3-2 1/4	(972)	3-1 1/4	(946)	2-6 47/64	(781)	2-8	(813)	8-0 19/32	(2454)	8-0 3/32	(2441)	3-4 3/4	(1035)	3-6	(1067)
3250		3-2 1/4	(972)	3-1 1/4	(946)	2-6 47/64	(781)	2-8	(813)	9-4 19/32	(2860)	9-4 3/32	(2847)	4-0 3/4	(1238)	4-2	(1270)
3612	40	3-6 1/4	(1073)	3-5 1/4	(1048)	2-10 47/64	(882)	3-0	(914)	3-1 47/64	(958)	3-1 15/64	(946)	0-10 3/4	(273)	1-0	(305)
3614		3-6 1/4	(1073)	3-5 1/4	(1048)	2-10 47/64	(882)	3-0	(914)	3-5 47/64	(1060)	3-5 15/64	(1047)	1-0 3/4	(324)	1-2	(356)
3616		3-6 1/4	(1073)	3-5 1/4	(1048)	2-10 47/64	(882)	3-0	(914)	3-9 47/64	(1161)	3-9 15/64	(1149)	1-2 3/4	(375)	1-4	(406)
3618		3-6 1/4	(1073)	3-5 1/4	(1048)	2-10 47/64	(882)	3-0	(914)	4-1 47/64	(1263)	4-1 15/64	(1250)	1-4 3/4	(425)	1-6	(457)
3620		3-6 1/4	(1073)	3-5 1/4	(1048)	2-10 47/64	(882)	3-0	(914)	4-5 47/64	(1365)	4-5 15/64	(1352)	1-6 3/4	(476)	1-8	(508)
3622		3-6 1/4	(1073)	3-5 1/4	(1048)	2-10 47/64	(882)	3-0	(914)	4-9 47/64	(1466)	4-9 15/64	(1454)	1-8 3/4	(527)	1-10	(559)
3624		3-6 1/4	(1073)	3-5 1/4	(1048)	2-10 47/64	(882)	3-0	(914)	5-1 47/64	(1568)	5-1 15/64	(1555)	1-10 3/4	(578)	2-0	(610)
3626		3-6 1/4	(1073)	3-5 1/4	(1048)	2-10 47/64	(882)	3-0	(914)	5-5 47/64	(1669)	5-5 15/64	(1657)	2-0 3/4	(629)	2-2	(660)
3628		3-6 1/4	(1073)	3-5 1/4	(1048)	2-10 47/64	(882)	3-0	(914)	5-9 47/64	(1771)	5-9 15/64	(1758)	2-2 3/4	(679)	2-4	(711)
3630		3-6 1/4	(1073)	3-5 1/4	(1048)	2-10 47/64	(882)	3-0	(914)	6-1 47/64	(1873)	6-1 15/64	(1860)	2-4 3/4	(730)	2-6	(762)
3632		3-6 1/4	(1073)	3-5 1/4	(1048)	2-10 47/64	(882)	3-0	(914)	6-5 47/64	(1974)	6-5 15/64	(1962)	2-6 3/4	(781)	2-8	(813)
3634		3-6 1/4	(1073)	3-5 1/4	(1048)	2-10 47/64	(882)	3-0	(914)	6-9 47/64	(2076)	6-9 15/64	(2063)	2-8 3/4	(832)	2-10	(864)
3636		3-6 1/4	(1073)	3-5 1/4	(1048)	2-10 47/64	(882)	3-0	(914)	7-1 47/64	(2177)	7-1 15/64	(2165)	2-10 3/4	(883)	3-0	(914)
3640		3-6 1/4	(1073)	3-5 1/4	(1048)	2-10 47/64	(882)	3-0	(914)	7-9 47/64	(2381)	7-9 15/64	(2368)	3-2 3/4	(984)	3-4	(1016)
3642		3-6 1/4	(1073)	3-5 1/4	(1048)	2-10 47/64	(882)	3-0	(914)	8-1 47/64	(2482)	8-1 15/64	(2470)	3-4 3/4	(1035)	3-6	(1067)
3650		3-6 1/4	(1073)	3-5 1/4	(1048)	2-10 47/64	(882)	3-0	(914)	9-5 47/64	(2889)	9-5 15/64	(2876)	4-0 3/4	(1238)	4-2	(1270)
4012	40	3-10 1/4	(1175)	3-9 1/4	(1149)	3-2 47/64	(984)	3-4	(1016)	3-3 1/64	(991)	3-2 33/64	(978)	0-10 3/4	(273)	1-0	(305)
4014		3-10 1/4	(1175)	3-9 1/4	(1149)	3-2 47/64	(984)	3-4	(1016)	3-7 1/64	(1093)	3-6 33/64	(1080)	1-0 3/4	(324)	1-2	(356)
4016		3-10 1/4	(1175)	3-9 1/4	(1149)	3-2 47/64	(984)	3-4	(1016)	3-11 1/64	(1194)	3-10 33/64	(1181)	1-2 3/4	(375)	1-4	(406)
4018		3-10 1/4	(1175)	3-9 1/4	(1149)	3-2 47/64	(984)	3-4	(1016)	4-3 1/64	(1296)	4-2 33/64	(1283)	1-4 3/4	(425)	1-6	(457)
4020		3-10 1/4	(1175)	3-9 1/4	(1149)	3-2 47/64	(984)	3-4	(1016)	4-7 1/64	(1397)	4-6 33/64	(1385)	1-6 3/4	(476)	1-8	(508)
4022		3-10 1/4	(1175)	3-9 1/4	(1149)	3-2 47/64	(984)	3-4	(1016)	4-11 1/64	(1499)	4-10 33/64	(1486)	1-8 3/4	(527)	1-10	(559)
4024		3-10 1/4	(1175)	3-9 1/4	(1149)	3-2 47/64	(984)	3-4	(1016)	5-3 1/64	(1601)	5-2 33/64	(1588)	1-10 3/4	(578)	2-0	(610)
4026		3-10 1/4	(1175)	3-9 1/4	(1149)	3-2 47/64	(984)	3-4	(1016)	5-7 1/64	(1702)	5-6 33/64	(1689)	2-0 3/4	(629)	2-2	(660)
4028		3-10 1/4	(1175)	3-9 1/4	(1149)	3-2 47/64	(984)	3-4	(1016)	5-11 1/64	(1804)	5-10 33/64	(1791)	2-2 3/4	(679)	2-4	(711)
4030		3-10 1/4	(1175)	3-9 1/4	(1149)	3-2 47/64	(984)	3-4	(1016)	6-3 1/64	(1905)	6-2 33/64	(1893)	2-4 3/4	(730)	2-6	(762)
4032		3-10 1/4	(1175)	3-9 1/4	(1149)	3-2 47/64	(984)	3-4	(1016)	6-7 1/64	(2007)	6-6 33/64	(1994)	2-6 3/4	(781)	2-8	(813)
4034		3-10 1/4	(1175)	3-9 1/4	(1149)	3-2 47/64	(984)	3-4	(1016)	6-11 1/64	(2109)	6-10 33/64	(2096)	2-8 3/4	(832)	2-10	(864)
4036		3-10 1/4	(1175)	3-9 1/4	(1149)	3-2 47/64	(984)	3-4	(1016)	7-3 1/64	(2210)	7-2 33/64	(2197)	2-10 3/4	(883)	3-0	(914)
4040		3-10 1/4	(1175)	3-9 1/4	(1149)	3-2 47/64	(984)	3-4	(1016)	7-11 1/64	(2413)	7-10 33/64	(2401)	3-2 3/4	(984)	3-4	(1016)
4042		3-10 1/4	(1175)	3-9 1/4	(1149)	3-2 47/64	(984)	3-4	(1016)	8-3 1/64	(2515)	8-2 33/64	(2502)	3-4 3/4	(1035)	3-6	(1067)
4050		3-10 1/4	(1175)	3-9 1/4	(1149)	3-2 47/64	(984)	3-4	(1016)	9-7 1/64	(2921)	9-6 33/64	(2909)	4-0 3/4	(1238)	4-2	(1270)

Clad Ultimate Double Hung Round Top - Next Generation 2.0

Standard Unit Measurements: Single Hung / Double Hung - RT6 Continued

Standard Double Hung-NG 2.0 Unit Measurements for RT6																		
CN	Radius	Width						Height										
		Rough Opening		Frame Size		Daylight Opening		Glass Size		Rough Opening		Frame Size		Daylight Opening (Btm Sash)		Glass Size (Btm Sash)		
		ft - in	mm	ft - in	mm	ft - in	mm	ft - in	mm	ft - in	mm	ft - in	mm	ft - in	mm	ft - in	mm	
4412	40	4-2 1/4	(1276)	4-1 1/4	(1251)	3-6 47/64	(1085)	3-8	(1118)	3-4 31/64	(1028)	3-3 63/64	(1015)	0-10 3/4	(273)	1-0	(305)	
4414		4-2 1/4	(1276)	4-1 1/4	(1251)	3-6 47/64	(1085)	3-8	(1118)	3-8 31/64	(1130)	3-7 63/64	(1117)	1-0 3/4	(324)	1-2	(356)	
4416		4-2 1/4	(1276)	4-1 1/4	(1251)	3-6 47/64	(1085)	3-8	(1118)	4-0 31/64	(1231)	3-11 63/64	(1219)	1-2 3/4	(375)	1-4	(406)	
4418		4-2 1/4	(1276)	4-1 1/4	(1251)	3-6 47/64	(1085)	3-8	(1118)	4-4 31/64	(1333)	4-3 63/64	(1320)	1-4 3/4	(425)	1-6	(457)	
4420		4-2 1/4	(1276)	4-1 1/4	(1251)	3-6 47/64	(1085)	3-8	(1118)	4-8 31/64	(1435)	4-7 63/64	(1422)	1-6 3/4	(476)	1-8	(508)	
4422		4-2 1/4	(1276)	4-1 1/4	(1251)	3-6 47/64	(1085)	3-8	(1118)	5-0 31/64	(1536)	4-11 63/64	(1523)	1-8 3/4	(527)	1-10	(559)	
4424		4-2 1/4	(1276)	4-1 1/4	(1251)	3-6 47/64	(1085)	3-8	(1118)	5-4 31/64	(1638)	5-3 63/64	(1625)	1-10 3/4	(578)	2-0	(610)	
4426		4-2 1/4	(1276)	4-1 1/4	(1251)	3-6 47/64	(1085)	3-8	(1118)	5-8 31/64	(1739)	5-7 63/64	(1727)	2-0 3/4	(629)	2-2	(660)	
4428		4-2 1/4	(1276)	4-1 1/4	(1251)	3-6 47/64	(1085)	3-8	(1118)	6-0 31/64	(1841)	5-11 63/64	(1828)	2-2 3/4	(679)	2-4	(711)	
4430		4-2 1/4	(1276)	4-1 1/4	(1251)	3-6 47/64	(1085)	3-8	(1118)	6-4 31/64	(1943)	6-3 63/64	(1930)	2-4 3/4	(730)	2-6	(762)	
4432		4-2 1/4	(1276)	4-1 1/4	(1251)	3-6 47/64	(1085)	3-8	(1118)	6-8 31/64	(2044)	6-7 63/64	(2031)	2-6 3/4	(781)	2-8	(813)	
4434		4-2 1/4	(1276)	4-1 1/4	(1251)	3-6 47/64	(1085)	3-8	(1118)	7-0 31/64	(2146)	6-11 63/64	(2133)	2-8 3/4	(832)	2-10	(864)	
4436		4-2 1/4	(1276)	4-1 1/4	(1251)	3-6 47/64	(1085)	3-8	(1118)	7-4 31/64	(2247)	7-3 63/64	(2235)	2-10 3/4	(883)	3-0	(914)	
4440		4-2 1/4	(1276)	4-1 1/4	(1251)	3-6 47/64	(1085)	3-8	(1118)	8-0 31/64	(2451)	7-11 63/64	(2438)	3-2 3/4	(984)	3-4	(1016)	
4442		4-2 1/4	(1276)	4-1 1/4	(1251)	3-6 47/64	(1085)	3-8	(1118)	8-4 31/64	(2552)	8-3 63/64	(2539)	3-4 3/4	(1035)	3-6	(1067)	
4450		4-2 1/4	(1276)	4-1 1/4	(1251)	3-6 47/64	(1085)	3-8	(1118)	9-8 31/64	(2959)	9-7 63/64	(2946)	4-0 3/4	(1238)	4-2	(1270)	
4812		54	4-6 1/4	(1378)	4-5 1/4	(1353)	3-10 47/64	(1187)	4-0	(1219)	3-3 1/64	(991)	3-2 33/64	(978)	0-10 3/4	(273)	1-0	(305)
4814			4-6 1/4	(1378)	4-5 1/4	(1353)	3-10 47/64	(1187)	4-0	(1219)	3-7 1/64	(1093)	3-6 33/64	(1080)	1-0 3/4	(324)	1-2	(356)
4816	4-6 1/4		(1378)	4-5 1/4	(1353)	3-10 47/64	(1187)	4-0	(1219)	3-11 1/64	(1194)	3-10 33/64	(1182)	1-2 3/4	(375)	1-4	(406)	
4818	4-6 1/4		(1378)	4-5 1/4	(1353)	3-10 47/64	(1187)	4-0	(1219)	4-3 1/64	(1296)	4-2 33/64	(1283)	1-4 3/4	(425)	1-6	(457)	
4820	4-6 1/4		(1378)	4-5 1/4	(1353)	3-10 47/64	(1187)	4-0	(1219)	4-7 1/64	(1398)	4-6 33/64	(1385)	1-6 3/4	(476)	1-8	(508)	
4822	4-6 1/4		(1378)	4-5 1/4	(1353)	3-10 47/64	(1187)	4-0	(1219)	4-11 1/64	(1499)	4-10 33/64	(1486)	1-8 3/4	(527)	1-10	(559)	
4824	4-6 1/4		(1378)	4-5 1/4	(1353)	3-10 47/64	(1187)	4-0	(1219)	5-3 1/64	(1601)	5-2 33/64	(1588)	1-10 3/4	(578)	2-0	(610)	
4826	4-6 1/4		(1378)	4-5 1/4	(1353)	3-10 47/64	(1187)	4-0	(1219)	5-7 1/64	(1702)	5-6 33/64	(1690)	2-0 3/4	(629)	2-2	(660)	
4828	4-6 1/4		(1378)	4-5 1/4	(1353)	3-10 47/64	(1187)	4-0	(1219)	5-11 1/64	(1804)	5-10 33/64	(1791)	2-2 3/4	(679)	2-4	(711)	
4830	4-6 1/4		(1378)	4-5 1/4	(1353)	3-10 47/64	(1187)	4-0	(1219)	6-3 1/64	(1906)	6-2 33/64	(1893)	2-4 3/4	(730)	2-6	(762)	
4832	4-6 1/4		(1378)	4-5 1/4	(1353)	3-10 47/64	(1187)	4-0	(1219)	6-7 1/64	(2007)	6-6 33/64	(1994)	2-6 3/4	(781)	2-8	(813)	
4834	4-6 1/4		(1378)	4-5 1/4	(1353)	3-10 47/64	(1187)	4-0	(1219)	6-11 1/64	(2109)	6-10 33/64	(2096)	2-8 3/4	(832)	2-10	(864)	
4836	4-6 1/4		(1378)	4-5 1/4	(1353)	3-10 47/64	(1187)	4-0	(1219)	7-3 1/64	(2210)	7-2 33/64	(2198)	2-10 3/4	(883)	3-0	(914)	
4840	4-6 1/4		(1378)	4-5 1/4	(1353)	3-10 47/64	(1187)	4-0	(1219)	7-11 1/64	(2414)	7-10 33/64	(2401)	3-2 3/4	(984)	3-4	(1016)	
4842	4-6 1/4		(1378)	4-5 1/4	(1353)	3-10 47/64	(1187)	4-0	(1219)	8-3 1/64	(2515)	8-2 33/64	(2502)	3-4 3/4	(1035)	3-6	(1067)	
4850	4-6 1/4		(1378)	4-5 1/4	(1353)	3-10 47/64	(1187)	4-0	(1219)	9-7 1/64	(2922)	9-6 33/64	(2909)	4-0 3/4	(1238)	4-2	(1270)	
5412	54		5-0 1/4	(1530)	4-11 1/4	(1505)	4-4 47/64	(1339)	4-6	(1372)	3-4 55/64	(1038)	3-4 23/64	(1025)	0-10 3/4	(273)	1-0	(305)
5414			5-0 1/4	(1530)	4-11 1/4	(1505)	4-4 47/64	(1339)	4-6	(1372)	3-8 55/64	(1139)	3-8 23/64	(1127)	1-0 3/4	(324)	1-2	(356)
5416		5-0 1/4	(1530)	4-11 1/4	(1505)	4-4 47/64	(1339)	4-6	(1372)	4-0 55/64	(1241)	4-0 23/64	(1228)	1-2 3/4	(375)	1-4	(406)	
5418		5-0 1/4	(1530)	4-11 1/4	(1505)	4-4 47/64	(1339)	4-6	(1372)	4-4 55/64	(1342)	4-4 23/64	(1330)	1-4 3/4	(425)	1-6	(457)	
5420		5-0 1/4	(1530)	4-11 1/4	(1505)	4-4 47/64	(1339)	4-6	(1372)	4-8 55/64	(1444)	4-8 23/64	(1431)	1-6 3/4	(476)	1-8	(508)	
5422		5-0 1/4	(1530)	4-11 1/4	(1505)	4-4 47/64	(1339)	4-6	(1372)	5-0 55/64	(1546)	5-0 23/64	(1533)	1-8 3/4	(527)	1-10	(559)	
5424		5-0 1/4	(1530)	4-11 1/4	(1505)	4-4 47/64	(1339)	4-6	(1372)	5-4 55/64	(1647)	5-4 23/64	(1635)	1-10 3/4	(578)	2-0	(610)	
5426		5-0 1/4	(1530)	4-11 1/4	(1505)	4-4 47/64	(1339)	4-6	(1372)	5-8 55/64	(1749)	5-8 23/64	(1736)	2-0 3/4	(629)	2-2	(660)	
5428		5-0 1/4	(1530)	4-11 1/4	(1505)	4-4 47/64	(1339)	4-6	(1372)	6-0 55/64	(1850)	6-0 23/64	(1838)	2-2 3/4	(679)	2-4	(711)	
5430		5-0 1/4	(1530)	4-11 1/4	(1505)	4-4 47/64	(1339)	4-6	(1372)	6-4 55/64	(1952)	6-4 23/64	(1939)	2-4 3/4	(730)	2-6	(762)	
5432		5-0 1/4	(1530)	4-11 1/4	(1505)	4-4 47/64	(1339)	4-6	(1372)	6-8 55/64	(2054)	6-8 23/64	(2041)	2-6 3/4	(781)	2-8	(813)	
5434		5-0 1/4	(1530)	4-11 1/4	(1505)	4-4 47/64	(1339)	4-6	(1372)	7-0 55/64	(2155)	7-0 23/64	(2143)	2-8 3/4	(832)	2-10	(864)	
5436		5-0 1/4	(1530)	4-11 1/4	(1505)	4-4 47/64	(1339)	4-6	(1372)	7-4 55/64	(2257)	7-4 23/64	(2244)	2-10 3/4	(883)	3-0	(914)	
5440		5-0 1/4	(1530)	4-11 1/4	(1505)	4-4 47/64	(1339)	4-6	(1372)	8-0 55/64	(2460)	8-0 23/64	(2447)	3-2 3/4	(984)	3-4	(1016)	
5442		5-0 1/4	(1530)	4-11 1/4	(1505)	4-4 47/64	(1339)	4-6	(1372)	8-4 55/64	(2562)	8-4 23/64	(2549)	3-4 3/4	(1035)	3-6	(1067)	
5450		5-0 1/4	(1530)	4-11 1/4	(1505)	4-4 47/64	(1339)	4-6	(1372)	9-8 55/64	(2968)	9-8 23/64	(2955)	4-0 3/4	(1238)	4-2	(1270)	

Clad Ultimate Double Hung Round Top - Next Generation 2.0

Standard Unit Measurements: Single Hung / Double Hung - RT21/22

Standard Double Hung-NG 2.0 Unit Measurements for RT21/22																	
CN	Radius	Width								Height							
		Rough Opening		Frame Size		Daylight Opening		Glass Size		Rough Opening		Frame Size		Daylight Opening (Btm Sash)		Glass Size (Btm Sash)	
		ft - in	mm	ft - in	mm	ft - in	mm	ft - in	mm	ft - in	mm	ft - in	mm	ft - in	mm	ft - in	mm
1612	3-4 1/2	1-10 1/4	(565)	1-9 1/4	(540)	1-2 47/64	(374)	1-4	(406)	3-2 7/64	(968)	3-1 39/64	(955)	0-10 3/4	(273)	1-0	(305)
1614		1-10 1/4	(565)	1-9 1/4	(540)	1-2 47/64	(374)	1-4	(406)	3-6 7/64	(1070)	3-5 39/64	(1057)	1-0 3/4	(324)	1-2	(356)
1616		1-10 1/4	(565)	1-9 1/4	(540)	1-2 47/64	(374)	1-4	(406)	3-10 7/64	(1171)	3-9 39/64	(1159)	1-2 3/4	(375)	1-4	(406)
1618		1-10 1/4	(565)	1-9 1/4	(540)	1-2 47/64	(374)	1-4	(406)	4-2 7/64	(1273)	4-1 39/64	(1260)	1-4 3/4	(425)	1-6	(457)
1620		1-10 1/4	(565)	1-9 1/4	(540)	1-2 47/64	(374)	1-4	(406)	4-6 7/64	(1374)	4-5 39/64	(1362)	1-6 3/4	(476)	1-8	(508)
1622		1-10 1/4	(565)	1-9 1/4	(540)	1-2 47/64	(374)	1-4	(406)	4-10 7/64	(1476)	4-9 39/64	(1463)	1-8 3/4	(527)	1-10	(559)
1624		1-10 1/4	(565)	1-9 1/4	(540)	1-2 47/64	(374)	1-4	(406)	5-2 7/64	(1578)	5-1 39/64	(1565)	1-10 3/4	(578)	2-0	(610)
1626		1-10 1/4	(565)	1-9 1/4	(540)	1-2 47/64	(374)	1-4	(406)	5-6 7/64	(1679)	5-5 39/64	(1667)	2-0 3/4	(629)	2-2	(660)
1628		1-10 1/4	(565)	1-9 1/4	(540)	1-2 47/64	(374)	1-4	(406)	5-10 7/64	(1781)	5-9 39/64	(1768)	2-2 3/4	(679)	2-4	(711)
1630		1-10 1/4	(565)	1-9 1/4	(540)	1-2 47/64	(374)	1-4	(406)	6-2 7/64	(1882)	6-1 39/64	(1870)	2-4 3/4	(730)	2-6	(762)
1632		1-10 1/4	(565)	1-9 1/4	(540)	1-2 47/64	(374)	1-4	(406)	6-6 7/64	(1984)	6-5 39/64	(1971)	2-6 3/4	(781)	2-8	(813)
1634		1-10 1/4	(565)	1-9 1/4	(540)	1-2 47/64	(374)	1-4	(406)	6-10 7/64	(2086)	6-9 39/64	(2073)	2-8 3/4	(832)	2-10	(864)
1636		1-10 1/4	(565)	1-9 1/4	(540)	1-2 47/64	(374)	1-4	(406)	7-2 7/64	(2187)	7-1 39/64	(2175)	2-10 3/4	(883)	3-0	(914)
1640		1-10 1/4	(565)	1-9 1/4	(540)	1-2 47/64	(374)	1-4	(406)	7-10 7/64	(2390)	7-9 39/64	(2378)	3-2 3/4	(984)	3-4	(1016)
1642		1-10 1/4	(565)	1-9 1/4	(540)	1-2 47/64	(374)	1-4	(406)	8-2 7/64	(2492)	8-1 39/64	(2479)	3-4 3/4	(1035)	3-6	(1067)
1650		1-10 1/4	(565)	1-9 1/4	(540)	1-2 47/64	(374)	1-4	(406)	9-6 7/64	(2898)	9-5 39/64	(2886)	4-0 3/4	(1238)	4-2	(1270)
2012	3-4 1/2	2-2 1/4	(667)	2-1 1/4	(641)	1-6 47/64	(476)	1-8	(508)	3-4 63/64	(1041)	3-4 31/64	(1028)	0-10 3/4	(273)	1-0	(305)
2014		2-2 1/4	(667)	2-1 1/4	(641)	1-6 47/64	(476)	1-8	(508)	3-8 63/64	(1142)	3-8 31/64	(1130)	1-0 3/4	(324)	1-2	(356)
2016		2-2 1/4	(667)	2-1 1/4	(641)	1-6 47/64	(476)	1-8	(508)	4-0 63/64	(1244)	4-0 31/64	(1231)	1-2 3/4	(375)	1-4	(406)
2018		2-2 1/4	(667)	2-1 1/4	(641)	1-6 47/64	(476)	1-8	(508)	4-4 63/64	(1346)	4-4 31/64	(1333)	1-4 3/4	(425)	1-6	(457)
2020		2-2 1/4	(667)	2-1 1/4	(641)	1-6 47/64	(476)	1-8	(508)	4-8 63/64	(1447)	4-8 31/64	(1435)	1-6 3/4	(476)	1-8	(508)
2022		2-2 1/4	(667)	2-1 1/4	(641)	1-6 47/64	(476)	1-8	(508)	5-0 63/64	(1549)	5-0 31/64	(1536)	1-8 3/4	(527)	1-10	(559)
2024		2-2 1/4	(667)	2-1 1/4	(641)	1-6 47/64	(476)	1-8	(508)	5-4 63/64	(1650)	5-4 31/64	(1638)	1-10 3/4	(578)	2-0	(610)
2026		2-2 1/4	(667)	2-1 1/4	(641)	1-6 47/64	(476)	1-8	(508)	5-8 63/64	(1752)	5-8 31/64	(1739)	2-0 3/4	(629)	2-2	(660)
2028		2-2 1/4	(667)	2-1 1/4	(641)	1-6 47/64	(476)	1-8	(508)	6-0 63/64	(1854)	6-0 31/64	(1841)	2-2 3/4	(679)	2-4	(711)
2030		2-2 1/4	(667)	2-1 1/4	(641)	1-6 47/64	(476)	1-8	(508)	6-4 63/64	(1955)	6-4 31/64	(1943)	2-4 3/4	(730)	2-6	(762)
2032		2-2 1/4	(667)	2-1 1/4	(641)	1-6 47/64	(476)	1-8	(508)	6-8 63/64	(2057)	6-8 31/64	(2044)	2-6 3/4	(781)	2-8	(813)
2034		2-2 1/4	(667)	2-1 1/4	(641)	1-6 47/64	(476)	1-8	(508)	7-0 63/64	(2158)	7-0 31/64	(2146)	2-8 3/4	(832)	2-10	(864)
2036		2-2 1/4	(667)	2-1 1/4	(641)	1-6 47/64	(476)	1-8	(508)	7-4 63/64	(2260)	7-4 31/64	(2247)	2-10 3/4	(883)	3-0	(914)
2040		2-2 1/4	(667)	2-1 1/4	(641)	1-6 47/64	(476)	1-8	(508)	8-0 63/64	(2463)	8-0 31/64	(2451)	3-2 3/4	(984)	3-4	(1016)
2042		2-2 1/4	(667)	2-1 1/4	(641)	1-6 47/64	(476)	1-8	(508)	8-4 63/64	(2565)	8-4 31/64	(2552)	3-4 3/4	(1035)	3-6	(1067)
2050		2-2 1/4	(667)	2-1 1/4	(641)	1-6 47/64	(476)	1-8	(508)	9-8 63/64	(2971)	9-8 31/64	(2959)	4-0 3/4	(1238)	4-2	(1270)
2412	4-6 1/2	2-6 1/4	(768)	2-5 1/4	(743)	1-10 47/64	(577)	2-0	(610)	3-4 39/64	(1031)	3-4 7/64	(1019)	0-10 3/4	(273)	1-0	(305)
2414		2-6 1/4	(768)	2-5 1/4	(743)	1-10 47/64	(577)	2-0	(610)	3-8 39/64	(1133)	3-8 7/64	(1120)	1-0 3/4	(324)	1-2	(356)
2416		2-6 1/4	(768)	2-5 1/4	(743)	1-10 47/64	(577)	2-0	(610)	4-0 39/64	(1235)	4-0 7/64	(1222)	1-2 3/4	(375)	1-4	(406)
2418		2-6 1/4	(768)	2-5 1/4	(743)	1-10 47/64	(577)	2-0	(610)	4-4 39/64	(1336)	4-4 7/64	(1324)	1-4 3/4	(425)	1-6	(457)
2420		2-6 1/4	(768)	2-5 1/4	(743)	1-10 47/64	(577)	2-0	(610)	4-8 39/64	(1438)	4-8 7/64	(1425)	1-6 3/4	(476)	1-8	(508)
2422		2-6 1/4	(768)	2-5 1/4	(743)	1-10 47/64	(577)	2-0	(610)	5-0 39/64	(1539)	5-0 7/64	(1527)	1-8 3/4	(527)	1-10	(559)
2424		2-6 1/4	(768)	2-5 1/4	(743)	1-10 47/64	(577)	2-0	(610)	5-4 39/64	(1641)	5-4 7/64	(1628)	1-10 3/4	(578)	2-0	(610)
2426		2-6 1/4	(768)	2-5 1/4	(743)	1-10 47/64	(577)	2-0	(610)	5-8 39/64	(1743)	5-8 7/64	(1730)	2-0 3/4	(629)	2-2	(660)
2428		2-6 1/4	(768)	2-5 1/4	(743)	1-10 47/64	(577)	2-0	(610)	6-0 39/64	(1844)	6-0 7/64	(1832)	2-2 3/4	(679)	2-4	(711)
2430		2-6 1/4	(768)	2-5 1/4	(743)	1-10 47/64	(577)	2-0	(610)	6-4 39/64	(1946)	6-4 7/64	(1933)	2-4 3/4	(730)	2-6	(762)
2432		2-6 1/4	(768)	2-5 1/4	(743)	1-10 47/64	(577)	2-0	(610)	6-8 39/64	(2047)	6-8 7/64	(2035)	2-6 3/4	(781)	2-8	(813)
2434		2-6 1/4	(768)	2-5 1/4	(743)	1-10 47/64	(577)	2-0	(610)	7-0 39/64	(2149)	7-0 7/64	(2136)	2-8 3/4	(832)	2-10	(864)
2436		2-6 1/4	(768)	2-5 1/4	(743)	1-10 47/64	(577)	2-0	(610)	7-4 39/64	(2251)	7-4 7/64	(2238)	2-10 3/4	(883)	3-0	(914)
2440		2-6 1/4	(768)	2-5 1/4	(743)	1-10 47/64	(577)	2-0	(610)	8-0 39/64	(2454)	8-0 7/64	(2441)	3-2 3/4	(984)	3-4	(1016)
2442		2-6 1/4	(768)	2-5 1/4	(743)	1-10 47/64	(577)	2-0	(610)	8-4 39/64	(2555)	8-4 7/64	(2543)	3-4 3/4	(1035)	3-6	(1067)
2450		2-6 1/4	(768)	2-5 1/4	(743)	1-10 47/64	(577)	2-0	(610)	9-8 39/64	(2962)	9-8 7/64	(2949)	4-0 3/4	(1238)	4-2	(1270)

Clad Ultimate Double Hung Round Top - Next Generation 2.0

Standard Unit Measurements: Single Hung / Double Hung - RT21/22 Continued

Standard Double Hung-NG 2.0 Unit Measurements for RT21/22																	
CN	Radius	Width						Height									
		Rough Opening		Frame Size		Daylight Opening		Glass Size		Rough Opening		Frame Size		Daylight Opening (Btm Sash)		Glass Size (Btm Sash)	
		ft - in	mm	ft - in	mm	ft - in	mm	ft - in	mm	ft - in	mm	ft - in	mm	ft - in	mm	ft - in	mm
2612	6-0 1/2	2-8 1/4	(819)	2-7 1/4	(794)	2-0 47/64	(628)	2-2	(660)	3-3 9/64	(994)	3-2 41/64	(981)	0-10 3/4	(273)	1-0	(305)
2614		2-8 1/4	(819)	2-7 1/4	(794)	2-0 47/64	(628)	2-2	(660)	3-7 9/64	(1096)	3-6 41/64	(1083)	1-0 3/4	(324)	1-2	(356)
2616		2-8 1/4	(819)	2-7 1/4	(794)	2-0 47/64	(628)	2-2	(660)	3-11 9/64	(1197)	3-10 41/64	(1185)	1-2 3/4	(375)	1-4	(406)
2618		2-8 1/4	(819)	2-7 1/4	(794)	2-0 47/64	(628)	2-2	(660)	4-3 9/64	(1299)	4-2 41/64	(1286)	1-4 3/4	(425)	1-6	(457)
2620		2-8 1/4	(819)	2-7 1/4	(794)	2-0 47/64	(628)	2-2	(660)	4-7 9/64	(1400)	4-6 41/64	(1388)	1-6 3/4	(476)	1-8	(508)
2622		2-8 1/4	(819)	2-7 1/4	(794)	2-0 47/64	(628)	2-2	(660)	4-11 9/64	(1502)	4-10 41/64	(1489)	1-8 3/4	(527)	1-10	(559)
2624		2-8 1/4	(819)	2-7 1/4	(794)	2-0 47/64	(628)	2-2	(660)	5-3 9/64	(1604)	5-2 41/64	(1591)	1-10 3/4	(578)	2-0	(610)
2626		2-8 1/4	(819)	2-7 1/4	(794)	2-0 47/64	(628)	2-2	(660)	5-7 9/64	(1705)	5-6 41/64	(1693)	2-0 3/4	(629)	2-2	(660)
2628		2-8 1/4	(819)	2-7 1/4	(794)	2-0 47/64	(628)	2-2	(660)	5-11 9/64	(1807)	5-10 41/64	(1794)	2-2 3/4	(679)	2-4	(711)
2630		2-8 1/4	(819)	2-7 1/4	(794)	2-0 47/64	(628)	2-2	(660)	6-3 9/64	(1908)	6-2 41/64	(1896)	2-4 3/4	(730)	2-6	(762)
2632		2-8 1/4	(819)	2-7 1/4	(794)	2-0 47/64	(628)	2-2	(660)	6-7 9/64	(2010)	6-6 41/64	(1997)	2-6 3/4	(781)	2-8	(813)
2634		2-8 1/4	(819)	2-7 1/4	(794)	2-0 47/64	(628)	2-2	(660)	6-11 9/64	(2112)	6-10 41/64	(2099)	2-8 3/4	(832)	2-10	(864)
2636		2-8 1/4	(819)	2-7 1/4	(794)	2-0 47/64	(628)	2-2	(660)	7-3 9/64	(2213)	7-2 41/64	(2201)	2-10 3/4	(883)	3-0	(914)
2640		2-8 1/4	(819)	2-7 1/4	(794)	2-0 47/64	(628)	2-2	(660)	7-11 9/64	(2416)	7-10 41/64	(2404)	3-2 3/4	(984)	3-4	(1016)
2642		2-8 1/4	(819)	2-7 1/4	(794)	2-0 47/64	(628)	2-2	(660)	8-3 9/64	(2518)	8-2 41/64	(2505)	3-4 3/4	(1035)	3-6	(1067)
2650		2-8 1/4	(819)	2-7 1/4	(794)	2-0 47/64	(628)	2-2	(660)	9-7 9/64	(2924)	9-6 41/64	(2912)	4-0 3/4	(1238)	4-2	(1270)
2812	6-0 1/2	2-10 1/4	(870)	2-9 1/4	(845)	2-2 47/64	(679)	2-4	(711)	3-4 9/64	(1019)	3-3 41/64	(1007)	0-10 3/4	(273)	1-0	(305)
2814		2-10 1/4	(870)	2-9 1/4	(845)	2-2 47/64	(679)	2-4	(711)	3-8 9/64	(1121)	3-7 41/64	(1108)	1-0 3/4	(324)	1-2	(356)
2816		2-10 1/4	(870)	2-9 1/4	(845)	2-2 47/64	(679)	2-4	(711)	4-0 9/64	(1223)	3-11 41/64	(1210)	1-2 3/4	(375)	1-4	(406)
2818		2-10 1/4	(870)	2-9 1/4	(845)	2-2 47/64	(679)	2-4	(711)	4-4 9/64	(1324)	4-3 41/64	(1312)	1-4 3/4	(425)	1-6	(457)
2820		2-10 1/4	(870)	2-9 1/4	(845)	2-2 47/64	(679)	2-4	(711)	4-8 9/64	(1426)	4-7 41/64	(1413)	1-6 3/4	(476)	1-8	(508)
2822		2-10 1/4	(870)	2-9 1/4	(845)	2-2 47/64	(679)	2-4	(711)	5-0 9/64	(1527)	4-11 41/64	(1515)	1-8 3/4	(527)	1-10	(559)
2824		2-10 1/4	(870)	2-9 1/4	(845)	2-2 47/64	(679)	2-4	(711)	5-4 9/64	(1629)	5-3 41/64	(1616)	1-10 3/4	(578)	2-0	(610)
2826		2-10 1/4	(870)	2-9 1/4	(845)	2-2 47/64	(679)	2-4	(711)	5-8 9/64	(1731)	5-7 41/64	(1718)	2-0 3/4	(629)	2-2	(660)
2828		2-10 1/4	(870)	2-9 1/4	(845)	2-2 47/64	(679)	2-4	(711)	6-0 9/64	(1832)	5-11 41/64	(1820)	2-2 3/4	(679)	2-4	(711)
2830		2-10 1/4	(870)	2-9 1/4	(845)	2-2 47/64	(679)	2-4	(711)	6-4 9/64	(1934)	6-3 41/64	(1921)	2-4 3/4	(730)	2-6	(762)
2832		2-10 1/4	(870)	2-9 1/4	(845)	2-2 47/64	(679)	2-4	(711)	6-8 9/64	(2035)	6-7 41/64	(2023)	2-6 3/4	(781)	2-8	(813)
2834		2-10 1/4	(870)	2-9 1/4	(845)	2-2 47/64	(679)	2-4	(711)	7-0 9/64	(2137)	6-11 41/64	(2124)	2-8 3/4	(832)	2-10	(864)
2836		2-10 1/4	(870)	2-9 1/4	(845)	2-2 47/64	(679)	2-4	(711)	7-4 9/64	(2239)	7-3 41/64	(2226)	2-10 3/4	(883)	3-0	(914)
2840		2-10 1/4	(870)	2-9 1/4	(845)	2-2 47/64	(679)	2-4	(711)	8-0 9/64	(2442)	7-11 41/64	(2429)	3-2 3/4	(984)	3-4	(1016)
2842		2-10 1/4	(870)	2-9 1/4	(845)	2-2 47/64	(679)	2-4	(711)	8-4 9/64	(2543)	8-3 41/64	(2531)	3-4 3/4	(1035)	3-6	(1067)
2850		2-10 1/4	(870)	2-9 1/4	(845)	2-2 47/64	(679)	2-4	(711)	9-8 9/64	(2950)	9-7 41/64	(2937)	4-0 3/4	(1238)	4-2	(1270)
3012	6-0 1/2	3-0 1/4	(921)	2-11 1/4	(895)	2-4 47/64	(730)	2-6	(762)	3-5 7/32	(1047)	3-4 23/32	(1034)	0-10 3/4	(273)	1-0	(305)
3014		3-0 1/4	(921)	2-11 1/4	(895)	2-4 47/64	(730)	2-6	(762)	3-9 7/32	(1149)	3-8 23/32	(1136)	1-0 3/4	(324)	1-2	(356)
3016		3-0 1/4	(921)	2-11 1/4	(895)	2-4 47/64	(730)	2-6	(762)	4-1 7/32	(1250)	4-0 23/32	(1237)	1-2 3/4	(375)	1-4	(406)
3018		3-0 1/4	(921)	2-11 1/4	(895)	2-4 47/64	(730)	2-6	(762)	4-5 7/32	(1352)	4-4 23/32	(1339)	1-4 3/4	(425)	1-6	(457)
3020		3-0 1/4	(921)	2-11 1/4	(895)	2-4 47/64	(730)	2-6	(762)	4-9 7/32	(1453)	4-8 23/32	(1441)	1-6 3/4	(476)	1-8	(508)
3022		3-0 1/4	(921)	2-11 1/4	(895)	2-4 47/64	(730)	2-6	(762)	5-1 7/32	(1555)	5-0 23/32	(1542)	1-8 3/4	(527)	1-10	(559)
3024		3-0 1/4	(921)	2-11 1/4	(895)	2-4 47/64	(730)	2-6	(762)	5-5 7/32	(1657)	5-4 23/32	(1644)	1-10 3/4	(578)	2-0	(610)
3026		3-0 1/4	(921)	2-11 1/4	(895)	2-4 47/64	(730)	2-6	(762)	5-9 7/32	(1758)	5-8 23/32	(1745)	2-0 3/4	(629)	2-2	(660)
3028		3-0 1/4	(921)	2-11 1/4	(895)	2-4 47/64	(730)	2-6	(762)	6-1 7/32	(1860)	6-0 23/32	(1847)	2-2 3/4	(679)	2-4	(711)
3030		3-0 1/4	(921)	2-11 1/4	(895)	2-4 47/64	(730)	2-6	(762)	6-5 7/32	(1961)	6-4 23/32	(1949)	2-4 3/4	(730)	2-6	(762)
3032		3-0 1/4	(921)	2-11 1/4	(895)	2-4 47/64	(730)	2-6	(762)	6-9 7/32	(2063)	6-8 23/32	(2050)	2-6 3/4	(781)	2-8	(813)
3034		3-0 1/4	(921)	2-11 1/4	(895)	2-4 47/64	(730)	2-6	(762)	7-1 7/32	(2165)	7-0 23/32	(2152)	2-8 3/4	(832)	2-10	(864)
3036		3-0 1/4	(921)	2-11 1/4	(895)	2-4 47/64	(730)	2-6	(762)	7-5 7/32	(2266)	7-4 23/32	(2253)	2-10 3/4	(883)	3-0	(914)
3040		3-0 1/4	(921)	2-11 1/4	(895)	2-4 47/64	(730)	2-6	(762)	8-1 7/32	(2469)	8-0 23/32	(2457)	3-2 3/4	(984)	3-4	(1016)
3042		3-0 1/4	(921)	2-11 1/4	(895)	2-4 47/64	(730)	2-6	(762)	8-5 7/32	(2571)	8-4 23/32	(2558)	3-4 3/4	(1035)	3-6	(1067)
3050		3-0 1/4	(921)	2-11 1/4	(895)	2-4 47/64	(730)	2-6	(762)	9-9 7/32	(2977)	9-8 23/32	(2965)	4-0 3/4	(1238)	4-2	(1270)

Clad Ultimate Double Hung Round Top - Next Generation 2.0

Standard Unit Measurements: Single Hung / Double Hung - RT21/22 Continued

Standard Double Hung-NG 2.0 Unit Measurements for RT21/22																		
CN	Radius	Width								Height								
		Rough Opening		Frame Size		Daylight Opening		Glass Size		Rough Opening		Frame Size		Daylight Opening (Btm Sash)		Glass Size (Btm Sash)		
		ft - in	mm	ft - in	mm	ft - in	mm	ft - in	mm	ft - in	mm	ft - in	mm	ft - in	mm	ft - in	mm	
3212	6-0 1/2	3-2 1/4	(972)	3-1 1/4	(946)	2-6 47/64	(781)	2-8	(813)	3-6 25/64	(1077)	3-5 57/64	(1064)	0-10 3/4	(273)	1-0	(305)	
3214		3-2 1/4	(972)	3-1 1/4	(946)	2-6 47/64	(781)	2-8	(813)	3-10 25/64	(1178)	3-9 57/64	(1165)	1-0 3/4	(324)	1-2	(356)	
3216		3-2 1/4	(972)	3-1 1/4	(946)	2-6 47/64	(781)	2-8	(813)	4-2 25/64	(1280)	4-1 57/64	(1267)	1-2 3/4	(375)	1-4	(406)	
3218		3-2 1/4	(972)	3-1 1/4	(946)	2-6 47/64	(781)	2-8	(813)	4-6 25/64	(1381)	4-5 57/64	(1369)	1-4 3/4	(425)	1-6	(457)	
3220		3-2 1/4	(972)	3-1 1/4	(946)	2-6 47/64	(781)	2-8	(813)	4-10 25/64	(1483)	4-9 57/64	(1470)	1-6 3/4	(476)	1-8	(508)	
3222		3-2 1/4	(972)	3-1 1/4	(946)	2-6 47/64	(781)	2-8	(813)	5-2 25/64	(1585)	5-1 57/64	(1572)	1-8 3/4	(527)	1-10	(559)	
3224		3-2 1/4	(972)	3-1 1/4	(946)	2-6 47/64	(781)	2-8	(813)	5-6 25/64	(1686)	5-5 57/64	(1673)	1-10 3/4	(578)	2-0	(610)	
3226		3-2 1/4	(972)	3-1 1/4	(946)	2-6 47/64	(781)	2-8	(813)	5-10 25/64	(1788)	5-9 57/64	(1775)	2-0 3/4	(629)	2-2	(660)	
3228		3-2 1/4	(972)	3-1 1/4	(946)	2-6 47/64	(781)	2-8	(813)	6-2 25/64	(1889)	6-1 57/64	(1877)	2-2 3/4	(679)	2-4	(711)	
3230		3-2 1/4	(972)	3-1 1/4	(946)	2-6 47/64	(781)	2-8	(813)	6-6 25/64	(1991)	6-5 57/64	(1978)	2-4 3/4	(730)	2-6	(762)	
3232		3-2 1/4	(972)	3-1 1/4	(946)	2-6 47/64	(781)	2-8	(813)	6-10 25/64	(2093)	6-9 57/64	(2080)	2-6 3/4	(781)	2-8	(813)	
3234		3-2 1/4	(972)	3-1 1/4	(946)	2-6 47/64	(781)	2-8	(813)	7-2 25/64	(2194)	7-1 57/64	(2181)	2-8 3/4	(832)	2-10	(864)	
3236		3-2 1/4	(972)	3-1 1/4	(946)	2-6 47/64	(781)	2-8	(813)	7-6 25/64	(2296)	7-5 57/64	(2283)	2-10 3/4	(883)	3-0	(914)	
3240		3-2 1/4	(972)	3-1 1/4	(946)	2-6 47/64	(781)	2-8	(813)	8-2 25/64	(2499)	8-1 57/64	(2486)	3-2 3/4	(984)	3-4	(1016)	
3242		3-2 1/4	(972)	3-1 1/4	(946)	2-6 47/64	(781)	2-8	(813)	8-6 25/64	(2601)	8-5 57/64	(2588)	3-4 3/4	(1035)	3-6	(1067)	
3250		3-2 1/4	(972)	3-1 1/4	(946)	2-6 47/64	(781)	2-8	(813)	9-10 25/64	(3007)	9-9 57/64	(2994)	4-0 3/4	(1238)	4-2	(1270)	
3612		7-0 1/2	3-6 1/4	(1073)	3-5 1/4	(1048)	2-10 47/64	(882)	3-0	(914)	3-6 53/64	(1088)	3-6 21/64	(1075)	0-10 3/4	(273)	1-0	(305)
3614			3-6 1/4	(1073)	3-5 1/4	(1048)	2-10 47/64	(882)	3-0	(914)	3-10 53/64	(1189)	3-10 21/64	(1177)	1-0 3/4	(324)	1-2	(356)
3616			3-6 1/4	(1073)	3-5 1/4	(1048)	2-10 47/64	(882)	3-0	(914)	4-2 53/64	(1291)	4-2 21/64	(1278)	1-2 3/4	(375)	1-4	(406)
3618			3-6 1/4	(1073)	3-5 1/4	(1048)	2-10 47/64	(882)	3-0	(914)	4-6 53/64	(1393)	4-6 21/64	(1380)	1-4 3/4	(425)	1-6	(457)
3620	3-6 1/4		(1073)	3-5 1/4	(1048)	2-10 47/64	(882)	3-0	(914)	4-10 53/64	(1494)	4-10 21/64	(1481)	1-6 3/4	(476)	1-8	(508)	
3622	3-6 1/4		(1073)	3-5 1/4	(1048)	2-10 47/64	(882)	3-0	(914)	5-2 53/64	(1596)	5-2 21/64	(1583)	1-8 3/4	(527)	1-10	(559)	
3624	3-6 1/4		(1073)	3-5 1/4	(1048)	2-10 47/64	(882)	3-0	(914)	5-6 53/64	(1697)	5-6 21/64	(1685)	1-10 3/4	(578)	2-0	(610)	
3626	3-6 1/4		(1073)	3-5 1/4	(1048)	2-10 47/64	(882)	3-0	(914)	5-10 53/64	(1799)	5-10 21/64	(1786)	2-0 3/4	(629)	2-2	(660)	
3628	3-6 1/4		(1073)	3-5 1/4	(1048)	2-10 47/64	(882)	3-0	(914)	6-2 53/64	(1901)	6-2 21/64	(1888)	2-2 3/4	(679)	2-4	(711)	
3630	3-6 1/4		(1073)	3-5 1/4	(1048)	2-10 47/64	(882)	3-0	(914)	6-6 53/64	(2002)	6-6 21/64	(1989)	2-4 3/4	(730)	2-6	(762)	
3632	3-6 1/4		(1073)	3-5 1/4	(1048)	2-10 47/64	(882)	3-0	(914)	6-10 53/64	(2104)	6-10 21/64	(2091)	2-6 3/4	(781)	2-8	(813)	
3634	3-6 1/4		(1073)	3-5 1/4	(1048)	2-10 47/64	(882)	3-0	(914)	7-2 53/64	(2205)	7-2 21/64	(2193)	2-8 3/4	(832)	2-10	(864)	
3636	3-6 1/4		(1073)	3-5 1/4	(1048)	2-10 47/64	(882)	3-0	(914)	7-6 53/64	(2307)	7-6 21/64	(2294)	2-10 3/4	(883)	3-0	(914)	
3640	3-6 1/4		(1073)	3-5 1/4	(1048)	2-10 47/64	(882)	3-0	(914)	8-2 53/64	(2510)	8-2 21/64	(2497)	3-2 3/4	(984)	3-4	(1016)	
3642	3-6 1/4		(1073)	3-5 1/4	(1048)	2-10 47/64	(882)	3-0	(914)	8-6 53/64	(2612)	8-6 21/64	(2599)	3-4 3/4	(1035)	3-6	(1067)	
3650	3-6 1/4		(1073)	3-5 1/4	(1048)	2-10 47/64	(882)	3-0	(914)	9-10 53/64	(3018)	9-10 21/64	(3005)	4-0 3/4	(1238)	4-2	(1270)	
4012	7-0 1/2		3-10 1/4	(1175)	3-9 1/4	(1149)	3-2 47/64	(984)	3-4	(1016)	3-9 15/64	(1149)	3-8 47/64	(1136)	0-10 3/4	(273)	1-0	(305)
4014			3-10 1/4	(1175)	3-9 1/4	(1149)	3-2 47/64	(984)	3-4	(1016)	4-1 15/64	(1250)	4-0 47/64	(1238)	1-0 3/4	(324)	1-2	(356)
4016			3-10 1/4	(1175)	3-9 1/4	(1149)	3-2 47/64	(984)	3-4	(1016)	4-5 15/64	(1352)	4-4 47/64	(1339)	1-2 3/4	(375)	1-4	(406)
4018			3-10 1/4	(1175)	3-9 1/4	(1149)	3-2 47/64	(984)	3-4	(1016)	4-9 15/64	(1454)	4-8 47/64	(1441)	1-4 3/4	(425)	1-6	(457)
4020		3-10 1/4	(1175)	3-9 1/4	(1149)	3-2 47/64	(984)	3-4	(1016)	5-1 15/64	(1555)	5-0 47/64	(1543)	1-6 3/4	(476)	1-8	(508)	
4022		3-10 1/4	(1175)	3-9 1/4	(1149)	3-2 47/64	(984)	3-4	(1016)	5-5 15/64	(1657)	5-4 47/64	(1644)	1-8 3/4	(527)	1-10	(559)	
4024		3-10 1/4	(1175)	3-9 1/4	(1149)	3-2 47/64	(984)	3-4	(1016)	5-9 15/64	(1758)	5-8 47/64	(1746)	1-10 3/4	(578)	2-0	(610)	
4026		3-10 1/4	(1175)	3-9 1/4	(1149)	3-2 47/64	(984)	3-4	(1016)	6-1 15/64	(1860)	6-0 47/64	(1847)	2-0 3/4	(629)	2-2	(660)	
4028		3-10 1/4	(1175)	3-9 1/4	(1149)	3-2 47/64	(984)	3-4	(1016)	6-5 15/64	(1962)	6-4 47/64	(1949)	2-2 3/4	(679)	2-4	(711)	
4030		3-10 1/4	(1175)	3-9 1/4	(1149)	3-2 47/64	(984)	3-4	(1016)	6-9 15/64	(2063)	6-8 47/64	(2051)	2-4 3/4	(730)	2-6	(762)	
4032		3-10 1/4	(1175)	3-9 1/4	(1149)	3-2 47/64	(984)	3-4	(1016)	7-1 15/64	(2165)	7-0 47/64	(2152)	2-6 3/4	(781)	2-8	(813)	
4034		3-10 1/4	(1175)	3-9 1/4	(1149)	3-2 47/64	(984)	3-4	(1016)	7-5 15/64	(2266)	7-4 47/64	(2254)	2-8 3/4	(832)	2-10	(864)	
4036		3-10 1/4	(1175)	3-9 1/4	(1149)	3-2 47/64	(984)	3-4	(1016)	7-9 15/64	(2368)	7-8 47/64	(2355)	2-10 3/4	(883)	3-0	(914)	
4040		3-10 1/4	(1175)	3-9 1/4	(1149)	3-2 47/64	(984)	3-4	(1016)	8-5 15/64	(2571)	8-4 47/64	(2559)	3-2 3/4	(984)	3-4	(1016)	
4042		3-10 1/4	(1175)	3-9 1/4	(1149)	3-2 47/64	(984)	3-4	(1016)	8-9 15/64	(2673)	8-8 47/64	(2660)	3-4 3/4	(1035)	3-6	(1067)	

Clad Ultimate Double Hung Round Top - Next Generation 2.0

Standard Unit Measurements: Single Hung / Double Hung - RT21/22 Continued

Standard Double Hung-NG 2.0 Unit Measurements for RT21/22																		
CN	Radius	Width								Height								
		Rough Opening		Frame Size		Daylight Opening		Glass Size		Rough Opening		Frame Size		Daylight Opening (Btm Sash)	Glass Size (Btm Sash)			
		ft - in	mm	ft - in	mm	ft - in	mm	ft - in	mm	ft - in	mm	ft - in	mm	ft - in	mm	ft - in	mm	
4412	9-0 1/2	4-2 1/4	(1276)	4-1 1/4	(1251)	3-6 47/64	(1085)	3-8	(1118)	3-7 7/8	(1115)	3-7 3/8	(1102)	0-10 3/4	(273)	1-0	(305)	
4414		4-2 1/4	(1276)	4-1 1/4	(1251)	3-6 47/64	(1085)	3-8	(1118)	3-11 7/8	(1216)	3-11 3/8	(1204)	1-0 3/4	(324)	1-2	(356)	
4416		4-2 1/4	(1276)	4-1 1/4	(1251)	3-6 47/64	(1085)	3-8	(1118)	4-3 7/8	(1318)	4-3 3/8	(1305)	1-2 3/4	(375)	1-4	(406)	
4418		4-2 1/4	(1276)	4-1 1/4	(1251)	3-6 47/64	(1085)	3-8	(1118)	4-7 7/8	(1419)	4-7 3/8	(1407)	1-4 3/4	(425)	1-6	(457)	
4420		4-2 1/4	(1276)	4-1 1/4	(1251)	3-6 47/64	(1085)	3-8	(1118)	4-11 7/8	(1521)	4-11 3/8	(1508)	1-6 3/4	(476)	1-8	(508)	
4422		4-2 1/4	(1276)	4-1 1/4	(1251)	3-6 47/64	(1085)	3-8	(1118)	5-3 7/8	(1623)	5-3 3/8	(1610)	1-8 3/4	(527)	1-10	(559)	
4424		4-2 1/4	(1276)	4-1 1/4	(1251)	3-6 47/64	(1085)	3-8	(1118)	5-7 7/8	(1724)	5-7 3/8	(1712)	1-10 3/4	(578)	2-0	(610)	
4426		4-2 1/4	(1276)	4-1 1/4	(1251)	3-6 47/64	(1085)	3-8	(1118)	5-11 7/8	(1826)	5-11 3/8	(1813)	2-0 3/4	(629)	2-2	(660)	
4428		4-2 1/4	(1276)	4-1 1/4	(1251)	3-6 47/64	(1085)	3-8	(1118)	6-3 7/8	(1927)	6-3 3/8	(1915)	2-2 3/4	(679)	2-4	(711)	
4430		4-2 1/4	(1276)	4-1 1/4	(1251)	3-6 47/64	(1085)	3-8	(1118)	6-7 7/8	(2029)	6-7 3/8	(2016)	2-4 3/4	(730)	2-6	(762)	
4432		4-2 1/4	(1276)	4-1 1/4	(1251)	3-6 47/64	(1085)	3-8	(1118)	6-11 7/8	(2131)	6-11 3/8	(2118)	2-6 3/4	(781)	2-8	(813)	
4434		4-2 1/4	(1276)	4-1 1/4	(1251)	3-6 47/64	(1085)	3-8	(1118)	7-3 7/8	(2232)	7-3 3/8	(2220)	2-8 3/4	(832)	2-10	(864)	
4436		4-2 1/4	(1276)	4-1 1/4	(1251)	3-6 47/64	(1085)	3-8	(1118)	7-7 7/8	(2334)	7-7 3/8	(2321)	2-10 3/4	(883)	3-0	(914)	
4440		4-2 1/4	(1276)	4-1 1/4	(1251)	3-6 47/64	(1085)	3-8	(1118)	8-3 7/8	(2537)	8-3 3/8	(2524)	3-2 3/4	(984)	3-4	(1016)	
4442		4-2 1/4	(1276)	4-1 1/4	(1251)	3-6 47/64	(1085)	3-8	(1118)	8-7 7/8	(2639)	8-7 3/8	(2626)	3-4 3/4	(1035)	3-6	(1067)	
4450		4-2 1/4	(1276)	4-1 1/4	(1251)	3-6 47/64	(1085)	3-8	(1118)	9-11 7/8	(3045)	9-11 3/8	(3032)	4-0 3/4	(1238)	4-2	(1270)	
4812		9-0 1/2	4-6 1/4	(1378)	4-5 1/4	(1353)	3-10 47/64	(1187)	4-0	(1219)	3-10 1/16	(1169)	3-9 9/16	(1157)	0-10 3/4	(273)	1-0	(305)
4814			4-6 1/4	(1378)	4-5 1/4	(1353)	3-10 47/64	(1187)	4-0	(1219)	4-2 1/16	(1271)	4-1 9/16	(1258)	1-0 3/4	(324)	1-2	(356)
4816			4-6 1/4	(1378)	4-5 1/4	(1353)	3-10 47/64	(1187)	4-0	(1219)	4-6 1/16	(1373)	4-5 9/16	(1360)	1-2 3/4	(375)	1-4	(406)
4818			4-6 1/4	(1378)	4-5 1/4	(1353)	3-10 47/64	(1187)	4-0	(1219)	4-10 1/16	(1474)	4-9 9/16	(1462)	1-4 3/4	(425)	1-6	(457)
4820	4-6 1/4		(1378)	4-5 1/4	(1353)	3-10 47/64	(1187)	4-0	(1219)	5-2 1/16	(1576)	5-1 9/16	(1563)	1-6 3/4	(476)	1-8	(508)	
4822	4-6 1/4		(1378)	4-5 1/4	(1353)	3-10 47/64	(1187)	4-0	(1219)	5-6 1/16	(1677)	5-5 9/16	(1665)	1-8 3/4	(527)	1-10	(559)	
4824	4-6 1/4		(1378)	4-5 1/4	(1353)	3-10 47/64	(1187)	4-0	(1219)	5-10 1/16	(1779)	5-9 9/16	(1766)	1-10 3/4	(578)	2-0	(610)	
4826	4-6 1/4		(1378)	4-5 1/4	(1353)	3-10 47/64	(1187)	4-0	(1219)	6-2 1/16	(1881)	6-1 9/16	(1868)	2-0 3/4	(629)	2-2	(660)	
4828	4-6 1/4		(1378)	4-5 1/4	(1353)	3-10 47/64	(1187)	4-0	(1219)	6-6 1/16	(1982)	6-5 9/16	(1970)	2-2 3/4	(679)	2-4	(711)	
4830	4-6 1/4		(1378)	4-5 1/4	(1353)	3-10 47/64	(1187)	4-0	(1219)	6-10 1/16	(2084)	6-9 9/16	(2071)	2-4 3/4	(730)	2-6	(762)	
4832	4-6 1/4		(1378)	4-5 1/4	(1353)	3-10 47/64	(1187)	4-0	(1219)	7-2 1/16	(2185)	7-1 9/16	(2173)	2-6 3/4	(781)	2-8	(813)	
4834	4-6 1/4		(1378)	4-5 1/4	(1353)	3-10 47/64	(1187)	4-0	(1219)	7-6 1/16	(2287)	7-5 9/16	(2274)	2-8 3/4	(832)	2-10	(864)	
4836	4-6 1/4		(1378)	4-5 1/4	(1353)	3-10 47/64	(1187)	4-0	(1219)	7-10 1/16	(2389)	7-9 9/16	(2376)	2-10 3/4	(883)	3-0	(914)	
4840	4-6 1/4		(1378)	4-5 1/4	(1353)	3-10 47/64	(1187)	4-0	(1219)	8-6 1/16	(2592)	8-5 9/16	(2579)	3-2 3/4	(984)	3-4	(1016)	
4842	4-6 1/4		(1378)	4-5 1/4	(1353)	3-10 47/64	(1187)	4-0	(1219)	8-10 1/16	(2693)	8-9 9/16	(2681)	3-4 3/4	(1035)	3-6	(1067)	
5412	9-0 1/2		5-0 1/4	(1530)	4-11 1/4	(1505)	4-4 47/64	(1339)	4-6	(1372)	4-1 3/4	(1262)	4-1 1/4	(1250)	0-10 3/4	(273)	1-0	(305)
5414			5-0 1/4	(1530)	4-11 1/4	(1505)	4-4 47/64	(1339)	4-6	(1372)	4-5 3/4	(1364)	4-5 1/4	(1351)	1-0 3/4	(324)	1-2	(356)
5416			5-0 1/4	(1530)	4-11 1/4	(1505)	4-4 47/64	(1339)	4-6	(1372)	4-9 3/4	(1466)	4-9 1/4	(1453)	1-2 3/4	(375)	1-4	(406)
5418			5-0 1/4	(1530)	4-11 1/4	(1505)	4-4 47/64	(1339)	4-6	(1372)	5-1 3/4	(1567)	5-1 1/4	(1555)	1-4 3/4	(425)	1-6	(457)
5420			5-0 1/4	(1530)	4-11 1/4	(1505)	4-4 47/64	(1339)	4-6	(1372)	5-5 3/4	(1669)	5-5 1/4	(1656)	1-6 3/4	(476)	1-8	(508)
5422		5-0 1/4	(1530)	4-11 1/4	(1505)	4-4 47/64	(1339)	4-6	(1372)	5-9 3/4	(1770)	5-9 1/4	(1758)	1-8 3/4	(527)	1-10	(559)	
5424		5-0 1/4	(1530)	4-11 1/4	(1505)	4-4 47/64	(1339)	4-6	(1372)	6-1 3/4	(1872)	6-1 1/4	(1859)	1-10 3/4	(578)	2-0	(610)	
5426		5-0 1/4	(1530)	4-11 1/4	(1505)	4-4 47/64	(1339)	4-6	(1372)	6-5 3/4	(1974)	6-5 1/4	(1961)	2-0 3/4	(629)	2-2	(660)	
5428		5-0 1/4	(1530)	4-11 1/4	(1505)	4-4 47/64	(1339)	4-6	(1372)	6-9 3/4	(2075)	6-9 1/4	(2063)	2-2 3/4	(679)	2-4	(711)	
5430		5-0 1/4	(1530)	4-11 1/4	(1505)	4-4 47/64	(1339)	4-6	(1372)	7-1 3/4	(2177)	7-1 1/4	(2164)	2-4 3/4	(730)	2-6	(762)	
5432		5-0 1/4	(1530)	4-11 1/4	(1505)	4-4 47/64	(1339)	4-6	(1372)	7-5 3/4	(2278)	7-5 1/4	(2266)	2-6 3/4	(781)	2-8	(813)	
5434		5-0 1/4	(1530)	4-11 1/4	(1505)	4-4 47/64	(1339)	4-6	(1372)	7-9 3/4	(2380)	7-9 1/4	(2367)	2-8 3/4	(832)	2-10	(864)	
5436		5-0 1/4	(1530)	4-11 1/4	(1505)	4-4 47/64	(1339)	4-6	(1372)	8-1 3/4	(2482)	8-1 1/4	(2469)	2-10 3/4	(883)	3-0	(914)	
5440		5-0 1/4	(1530)	4-11 1/4	(1505)	4-4 47/64	(1339)	4-6	(1372)	8-9 3/4	(2685)	8-9 1/4	(2672)	3-2 3/4	(984)	3-4	(1016)	
5442		5-0 1/4	(1530)	4-11 1/4	(1505)	4-4 47/64	(1339)	4-6	(1372)	9-1 3/4	(2786)	9-1 1/4	(2774)	3-4 3/4	(1035)	3-6	(1067)	

Clad Ultimate Double Hung Round Top - Next Generation 2.0



Standard Unit Measurements: Picture RT6

Picture Double Hung-NG 2.0 Unit Measurements for RT6																	
CN	Radius	Width								Height							
		Rough Opening		Frame Size		Daylight Opening		Glass Size		Rough Opening		Frame Size		Daylight Opening		Glass Size	
		ft - in	mm	ft - in	mm	ft - in	mm	ft - in	mm	ft - in	mm	ft - in	mm	ft - in	mm	ft - in	mm
4038	3-4	3-6 1/4	(1073)	3-5 1/4	(1048)	2-10 47/64	(882)	3-0	(914)	3-9 47/64	(1161)	3-9 15/64	(1149)	3-1 1/8	(943)	3-2 25/64	(975)
4042		3-6 1/4	(1073)	3-5 1/4	(1048)	2-10 47/64	(882)	3-0	(914)	4-1 47/64	(1263)	4-1 15/64	(1250)	3-5 1/8	(1045)	3-6 25/64	(1077)
4046		3-6 1/4	(1073)	3-5 1/4	(1048)	2-10 47/64	(882)	3-0	(914)	4-5 47/64	(1365)	4-5 15/64	(1352)	3-9 1/8	(1146)	3-10 25/64	(1178)
4050		3-6 1/4	(1073)	3-5 1/4	(1048)	2-10 47/64	(882)	3-0	(914)	4-9 47/64	(1466)	4-9 15/64	(1454)	4-1 1/8	(1248)	4-2 25/64	(1280)
4054		3-6 1/4	(1073)	3-5 1/4	(1048)	2-10 47/64	(882)	3-0	(914)	5-1 47/64	(1568)	5-1 15/64	(1555)	4-5 1/8	(1349)	4-6 25/64	(1382)
4058		3-6 1/4	(1073)	3-5 1/4	(1048)	2-10 47/64	(882)	3-0	(914)	5-5 47/64	(1669)	5-5 15/64	(1657)	4-9 1/8	(1451)	4-10 25/64	(1483)
4062		3-6 1/4	(1073)	3-5 1/4	(1048)	2-10 47/64	(882)	3-0	(914)	5-9 47/64	(1771)	5-9 15/64	(1758)	5-1 1/8	(1553)	5-2 25/64	(1585)
4066		3-6 1/4	(1073)	3-5 1/4	(1048)	2-10 47/64	(882)	3-0	(914)	6-1 47/64	(1873)	6-1 15/64	(1860)	5-5 1/8	(1654)	5-6 25/64	(1686)
4070		3-6 1/4	(1073)	3-5 1/4	(1048)	2-10 47/64	(882)	3-0	(914)	6-5 47/64	(1974)	6-5 15/64	(1962)	5-9 1/8	(1756)	5-10 25/64	(1788)
4074		3-6 1/4	(1073)	3-5 1/4	(1048)	2-10 47/64	(882)	3-0	(914)	6-9 47/64	(2076)	6-9 15/64	(2063)	6-1 1/8	(1857)	6-2 25/64	(1890)
4078		3-6 1/4	(1073)	3-5 1/4	(1048)	2-10 47/64	(882)	3-0	(914)	7-1 47/64	(2177)	7-1 15/64	(2165)	6-5 1/8	(1959)	6-6 25/64	(1991)
4086		3-6 1/4	(1073)	3-5 1/4	(1048)	2-10 47/64	(882)	3-0	(914)	7-9 47/64	(2381)	7-9 15/64	(2368)	7-1 1/8	(2162)	7-2 25/64	(2194)
4090		3-6 1/4	(1073)	3-5 1/4	(1048)	2-10 47/64	(882)	3-0	(914)	8-1 47/64	(2482)	8-1 15/64	(2470)	7-5 1/8	(2264)	7-6 25/64	(2296)
4838		3-4	4-2 1/4	(1276)	4-1 1/4	(1251)	3-6 47/64	(1085)	3-8	(1118)	4-0 31/64	(1231)	3-11 63/64	(1219)	3-3 7/8	(1013)	3-5 9/64
4842	4-2 1/4		(1276)	4-1 1/4	(1251)	3-6 47/64	(1085)	3-8	(1118)	4-4 31/64	(1333)	4-3 63/64	(1320)	3-7 7/8	(1114)	3-9 9/64	(1147)
4846	4-2 1/4		(1276)	4-1 1/4	(1251)	3-6 47/64	(1085)	3-8	(1118)	4-8 31/64	(1435)	4-7 63/64	(1422)	3-11 7/8	(1216)	4-1 9/64	(1248)
4850	4-2 1/4		(1276)	4-1 1/4	(1251)	3-6 47/64	(1085)	3-8	(1118)	5-0 31/64	(1536)	4-11 63/64	(1523)	4-3 7/8	(1318)	4-5 9/64	(1350)
4854	4-2 1/4		(1276)	4-1 1/4	(1251)	3-6 47/64	(1085)	3-8	(1118)	5-4 31/64	(1638)	5-3 63/64	(1625)	4-7 7/8	(1419)	4-9 9/64	(1451)
4858	4-2 1/4		(1276)	4-1 1/4	(1251)	3-6 47/64	(1085)	3-8	(1118)	5-8 31/64	(1739)	5-7 63/64	(1727)	4-11 7/8	(1521)	5-1 9/64	(1553)
4862	4-2 1/4		(1276)	4-1 1/4	(1251)	3-6 47/64	(1085)	3-8	(1118)	6-0 31/64	(1841)	5-11 63/64	(1828)	5-3 7/8	(1622)	5-5 9/64	(1655)
4866	4-2 1/4		(1276)	4-1 1/4	(1251)	3-6 47/64	(1085)	3-8	(1118)	6-4 31/64	(1943)	6-3 63/64	(1930)	5-7 7/8	(1724)	5-9 9/64	(1756)
4870	4-2 1/4		(1276)	4-1 1/4	(1251)	3-6 47/64	(1085)	3-8	(1118)	6-8 31/64	(2044)	6-7 63/64	(2031)	5-11 7/8	(1826)	6-1 9/64	(1858)
4874	4-2 1/4		(1276)	4-1 1/4	(1251)	3-6 47/64	(1085)	3-8	(1118)	7-0 31/64	(2146)	6-11 63/64	(2133)	6-3 7/8	(1927)	6-5 9/64	(1959)
4878	4-2 1/4		(1276)	4-1 1/4	(1251)	3-6 47/64	(1085)	3-8	(1118)	7-4 31/64	(2247)	7-3 63/64	(2235)	6-7 7/8	(2029)	6-9 9/64	(2061)
4886	4-2 1/4		(1276)	4-1 1/4	(1251)	3-6 47/64	(1085)	3-8	(1118)	8-0 31/64	(2451)	7-11 63/64	(2438)	7-3 7/8	(2232)	7-5 9/64	(2264)
4890	4-2 1/4		(1276)	4-1 1/4	(1251)	3-6 47/64	(1085)	3-8	(1118)	8-4 31/64	(2552)	8-3 63/64	(2539)	7-7 7/8	(2334)	7-9 9/64	(2366)
5238	4-6		4-6 1/4	(1378)	4-5 1/4	(1353)	3-10 47/64	(1187)	4-0	(1219)	3-11 1/64	(1194)	3-10 33/64	(1182)	3-2 27/64	(976)	3-3 11/16
5242		4-6 1/4	(1378)	4-5 1/4	(1353)	3-10 47/64	(1187)	4-0	(1219)	4-3 1/64	(1296)	4-2 33/64	(1283)	3-6 27/64	(1077)	3-7 11/16	(1110)
5246		4-6 1/4	(1378)	4-5 1/4	(1353)	3-10 47/64	(1187)	4-0	(1219)	4-7 1/64	(1398)	4-6 33/64	(1385)	3-10 27/64	(1179)	3-11 11/16	(1211)
5250		4-6 1/4	(1378)	4-5 1/4	(1353)	3-10 47/64	(1187)	4-0	(1219)	4-11 1/64	(1499)	4-10 33/64	(1486)	4-2 27/64	(1281)	4-3 11/16	(1313)
5254		4-6 1/4	(1378)	4-5 1/4	(1353)	3-10 47/64	(1187)	4-0	(1219)	5-3 1/64	(1601)	5-2 33/64	(1588)	4-6 27/64	(1382)	4-7 11/16	(1414)
5258		4-6 1/4	(1378)	4-5 1/4	(1353)	3-10 47/64	(1187)	4-0	(1219)	5-7 1/64	(1702)	5-6 33/64	(1690)	4-10 27/64	(1484)	4-11 11/16	(1516)
5262		4-6 1/4	(1378)	4-5 1/4	(1353)	3-10 47/64	(1187)	4-0	(1219)	5-11 1/64	(1804)	5-10 33/64	(1791)	5-2 27/64	(1585)	5-3 11/16	(1618)
5266		4-6 1/4	(1378)	4-5 1/4	(1353)	3-10 47/64	(1187)	4-0	(1219)	6-3 1/64	(1906)	6-2 33/64	(1893)	5-6 27/64	(1687)	5-7 11/16	(1719)
5270		4-6 1/4	(1378)	4-5 1/4	(1353)	3-10 47/64	(1187)	4-0	(1219)	6-7 1/64	(2007)	6-6 33/64	(1994)	5-10 27/64	(1789)	5-11 11/16	(1821)
5274		4-6 1/4	(1378)	4-5 1/4	(1353)	3-10 47/64	(1187)	4-0	(1219)	6-11 1/64	(2109)	6-10 33/64	(2096)	6-2 27/64	(1890)	6-3 11/16	(1922)
5278		4-6 1/4	(1378)	4-5 1/4	(1353)	3-10 47/64	(1187)	4-0	(1219)	7-3 1/64	(2210)	7-2 33/64	(2198)	6-6 27/64	(1992)	6-7 11/16	(2024)
5286		4-6 1/4	(1378)	4-5 1/4	(1353)	3-10 47/64	(1187)	4-0	(1219)	7-11 1/64	(2414)	7-10 33/64	(2401)	7-2 27/64	(2195)	7-3 11/16	(2227)
5290		4-6 1/4	(1378)	4-5 1/4	(1353)	3-10 47/64	(1187)	4-0	(1219)	8-3 1/64	(2515)	8-2 33/64	(2502)	7-6 27/64	(2297)	7-7 11/16	(2329)

Standard Unit Measurements: Picture RT6 Continued

Picture Double Hung-NG 2.0 Unit Measurements for RT6																	
CN	Radius	Width				Height											
		Rough Opening		Frame Size		Daylight Opening		Glass Size		Rough Opening		Frame Size		Daylight Opening		Glass Size	
		ft - in	mm	ft - in	mm	ft - in	mm	ft - in	mm	ft - in	mm	ft - in	mm	ft - in	mm	ft - in	mm
6038	6-0	5-2 1/4	(1581)	5-1 1/4	(1556)	4-6 47/64	(1390)	4-8	(1422)	3-10 27/32	(1190)	3-10 11/32	(1177)	3-2 15/64	(971)	3-3 1/2	(1003)
6042		5-2 1/4	(1581)	5-1 1/4	(1556)	4-6 47/64	(1390)	4-8	(1422)	4-2 27/32	(1291)	4-2 11/32	(1279)	3-6 15/64	(1073)	3-7 1/2	(1105)
6046		5-2 1/4	(1581)	5-1 1/4	(1556)	4-6 47/64	(1390)	4-8	(1422)	4-6 27/32	(1393)	4-6 11/32	(1380)	3-10 15/64	(1174)	3-11 1/2	(1207)
6050		5-2 1/4	(1581)	5-1 1/4	(1556)	4-6 47/64	(1390)	4-8	(1422)	4-10 27/32	(1494)	4-10 11/32	(1482)	4-2 15/64	(1276)	4-3 1/2	(1308)
6054		5-2 1/4	(1581)	5-1 1/4	(1556)	4-6 47/64	(1390)	4-8	(1422)	5-2 27/32	(1596)	5-2 11/32	(1583)	4-6 15/64	(1378)	4-7 1/2	(1410)
6058		5-2 1/4	(1581)	5-1 1/4	(1556)	4-6 47/64	(1390)	4-8	(1422)	5-6 27/32	(1698)	5-6 11/32	(1685)	4-10 15/64	(1479)	4-11 1/2	(1511)
6062		5-2 1/4	(1581)	5-1 1/4	(1556)	4-6 47/64	(1390)	4-8	(1422)	5-10 27/32	(1799)	5-10 11/32	(1787)	5-2 15/64	(1581)	5-3 1/2	(1613)
6066		5-2 1/4	(1581)	5-1 1/4	(1556)	4-6 47/64	(1390)	4-8	(1422)	6-2 27/32	(1901)	6-2 11/32	(1888)	5-6 15/64	(1682)	5-7 1/2	(1715)
6070		5-2 1/4	(1581)	5-1 1/4	(1556)	4-6 47/64	(1390)	4-8	(1422)	6-6 27/32	(2002)	6-6 11/32	(1990)	5-10 15/64	(1784)	5-11 1/2	(1816)
6074		5-2 1/4	(1581)	5-1 1/4	(1556)	4-6 47/64	(1390)	4-8	(1422)	6-10 27/32	(2104)	6-10 11/32	(2091)	6-2 15/64	(1886)	6-3 1/2	(1918)
6078		5-2 1/4	(1581)	5-1 1/4	(1556)	4-6 47/64	(1390)	4-8	(1422)	7-2 27/32	(2206)	7-2 11/32	(2193)	6-6 15/64	(1987)	6-7 1/2	(2019)
6086		5-2 1/4	(1581)	5-1 1/4	(1556)	4-6 47/64	(1390)	4-8	(1422)	7-10 27/32	(2409)	7-10 11/32	(2396)	7-2 15/64	(2190)	7-3 1/2	(2223)
6090		5-2 1/4	(1581)	5-1 1/4	(1556)	4-6 47/64	(1390)	4-8	(1422)	8-2 27/32	(2510)	8-2 11/32	(2498)	7-6 15/64	(2292)	7-7 1/2	(2324)
6838		6-0	5-10 1/4	(1784)	5-9 1/4	(1759)	5-2 47/64	(1593)	5-4	(1626)	4-0 7/8	(1241)	4-0 3/8	(1229)	3-4 17/64	(1023)	3-5 17/32
6842	5-10 1/4		(1784)	5-9 1/4	(1759)	5-2 47/64	(1593)	5-4	(1626)	4-4 7/8	(1343)	4-4 3/8	(1330)	3-8 17/64	(1124)	3-9 17/32	(1157)
6846	5-10 1/4		(1784)	5-9 1/4	(1759)	5-2 47/64	(1593)	5-4	(1626)	4-8 7/8	(1445)	4-8 3/8	(1432)	4-0 17/64	(1226)	4-1 17/32	(1258)
6850	5-10 1/4		(1784)	5-9 1/4	(1759)	5-2 47/64	(1593)	5-4	(1626)	5-0 7/8	(1546)	5-0 3/8	(1533)	4-4 17/64	(1328)	4-5 17/32	(1360)
6854	5-10 1/4		(1784)	5-9 1/4	(1759)	5-2 47/64	(1593)	5-4	(1626)	5-4 7/8	(1648)	5-4 3/8	(1635)	4-8 17/64	(1429)	4-9 17/32	(1461)
6858	5-10 1/4		(1784)	5-9 1/4	(1759)	5-2 47/64	(1593)	5-4	(1626)	5-8 7/8	(1749)	5-8 3/8	(1737)	5-0 17/64	(1531)	5-1 17/32	(1563)
6862	5-10 1/4		(1784)	5-9 1/4	(1759)	5-2 47/64	(1593)	5-4	(1626)	6-0 7/8	(1851)	6-0 3/8	(1838)	5-4 17/64	(1632)	5-5 17/32	(1665)
6866	5-10 1/4		(1784)	5-9 1/4	(1759)	5-2 47/64	(1593)	5-4	(1626)	6-4 7/8	(1953)	6-4 3/8	(1940)	5-8 17/64	(1734)	5-9 17/32	(1766)
6870	5-10 1/4		(1784)	5-9 1/4	(1759)	5-2 47/64	(1593)	5-4	(1626)	6-8 7/8	(2054)	6-8 3/8	(2041)	6-0 17/64	(1836)	6-1 17/32	(1868)
6874	5-10 1/4		(1784)	5-9 1/4	(1759)	5-2 47/64	(1593)	5-4	(1626)	7-0 7/8	(2156)	7-0 3/8	(2143)	6-4 17/64	(1937)	6-5 17/32	(1969)
6878	5-10 1/4		(1784)	5-9 1/4	(1759)	5-2 47/64	(1593)	5-4	(1626)	7-4 7/8	(2257)	7-4 3/8	(2245)	6-8 17/64	(2039)	6-9 17/32	(2071)

Standard Unit Measurements: Transom RT2 and RT6

Transom Double Hung-NG 2.0 Unit Measurements for RT2																
CN	Width						Height									
	Rough Opening		Frame Size		Daylight Opening		Glass Size		Rough Opening		Frame Size		Daylight Opening		Glass Size	
	ft - in	mm	ft - in	mm	ft - in	mm	ft - in	mm	ft - in	mm	ft - in	mm	ft - in	mm	ft - in	mm
2015	2-2 1/4	(667)	2-1 1/4	(641)	1-6 47/64	(476)	1-8	(508)	1-4 27/32	(428)	1-4 11/32	(415)	0-9 3/8	(238)	0-10 5/8	(270)
2417	2-6 1/4	(768)	2-5 1/4	(743)	1-10 47/64	(577)	2-0	(610)	1-6 27/32	(479)	1-6 11/32	(466)	0-11 3/8	(289)	1-0 5/8	(321)
2618	2-8 1/4	(819)	2-7 1/4	(794)	2-0 47/64	(628)	2-2	(660)	1-7 27/32	(504)	1-7 11/32	(491)	1-0 3/8	(314)	1-1 5/8	(346)
2819	2-10 1/4	(870)	2-9 1/4	(845)	2-2 47/64	(679)	2-4	(711)	1-8 27/32	(529)	1-8 11/32	(517)	1-1 3/8	(340)	1-2 5/8	(372)
3020	3-0 1/4	(921)	2-11 1/4	(895)	2-4 47/64	(730)	2-6	(762)	1-9 27/32	(555)	1-9 11/32	(542)	1-2 3/8	(365)	1-3 5/8	(397)
3221	3-2 1/4	(972)	3-1 1/4	(946)	2-6 47/64	(781)	2-8	(813)	1-10 27/32	(580)	1-10 11/32	(568)	1-3 3/8	(390)	1-4 5/8	(422)
3623	3-6 1/4	(1073)	3-5 1/4	(1048)	2-10 47/64	(882)	3-0	(914)	2-0 27/32	(631)	2-0 11/32	(618)	1-5 3/8	(441)	1-6 5/8	(473)
4025	3-10 1/4	(1175)	3-9 1/4	(1149)	3-2 47/64	(984)	3-4	(1016)	2-2 27/32	(682)	2-2 11/32	(669)	1-7 3/8	(492)	1-8 5/8	(524)
5432	5-0 1/4	(1530)	4-11 1/4	(1505)	4-4 47/64	(1339)	4-6	(1372)	2-9 27/32	(860)	2-9 11/32	(847)	2-2 3/8	(670)	2-3 5/8	(702)
5834	4-11 1/2	(1511)	4-10 1/2	(1486)	4-3 63/64	(1320)	4-5 1/4	(1353)	2-9 15/32	(850)	2-8 31/32	(837)	2-2	(660)	2-3 1/4	(692)
6638	5-7 1/2	(1715)	5-6 1/2	(1689)	4-11 63/64	(1524)	5-1 1/4	(1556)	3-1 15/32	(952)	3-0 31/32	(939)	2-6	(762)	2-7 1/4	(794)
7442	6-3 1/2	(1918)	6-2 1/2	(1892)	5-7 63/64	(1727)	5-9 1/4	(1759)	3-5 15/32	(1053)	3-4 31/32	(1041)	2-10	(863)	2-11 1/4	(896)

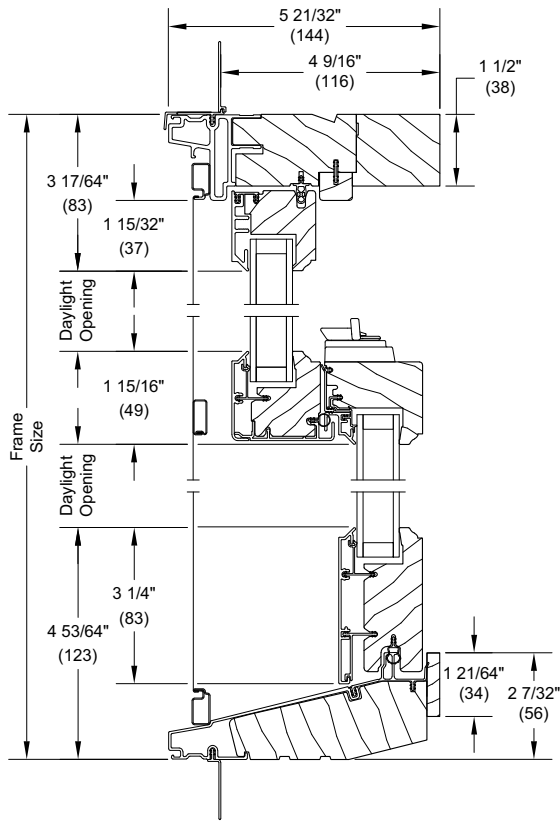
Transom Double Hung-NG 2.0 Unit Measurements for RT6																
CN	Width						Height									
	Rough Opening		Frame Size		Daylight Opening		Glass Size		Rough Opening		Frame Size		Daylight Opening		Glass Size	
	ft - in	mm	ft - in	mm	ft - in	mm	ft - in	mm	ft - in	mm	ft - in	mm	ft - in	mm	ft - in	mm
1612	1-10 1/4	(565)	1-9 1/4	(540)	1-2 47/64	(374)	1-4	(406)	1-10 43/64	(576)	1-10 11/64	(563)	1-3 3/16	(386)	1-4 29/64	(418)
1620	1-10 1/4	(565)	1-9 1/4	(540)	1-2 47/64	(374)	1-4	(406)	2-6 43/64	(779)	2-6 11/64	(766)	1-11 3/16	(589)	2-0 29/64	(621)
2012	2-2 1/4	(667)	2-1 1/4	(641)	1-6 47/64	(476)	1-8	(508)	1-11 25/32	(604)	1-11 9/32	(591)	1-4 19/64	(414)	1-5 9/16	(446)
2020	2-2 1/4	(667)	2-1 1/4	(641)	1-6 47/64	(476)	1-8	(508)	2-7 25/32	(807)	2-7 9/32	(794)	2-0 19/64	(617)	2-1 9/16	(649)
2412	2-6 1/4	(768)	2-5 1/4	(743)	1-10 47/64	(577)	2-0	(610)	2-1 5/32	(639)	2-0 21/32	(626)	1-5 11/16	(449)	1-6 61/64	(481)
2420	2-6 1/4	(768)	2-5 1/4	(743)	1-10 47/64	(577)	2-0	(610)	2-9 5/32	(842)	2-8 21/32	(830)	2-1 11/16	(652)	2-2 61/64	(684)
2612	2-8 1/4	(819)	2-7 1/4	(794)	2-0 47/64	(628)	2-2	(660)	2-0 37/64	(624)	2-0 5/64	(612)	1-5 3/32	(434)	1-6 23/64	(467)
2620	2-8 1/4	(819)	2-7 1/4	(794)	2-0 47/64	(628)	2-2	(660)	2-8 37/64	(827)	2-8 5/64	(815)	2-1 3/32	(638)	2-2 23/64	(670)
2812	2-10 1/4	(870)	2-9 1/4	(845)	2-2 47/64	(679)	2-4	(711)	2-1 7/32	(640)	2-0 23/32	(628)	1-5 47/64	(451)	1-7	(483)
2820	2-10 1/4	(870)	2-9 1/4	(845)	2-2 47/64	(679)	2-4	(711)	2-9 7/32	(844)	2-8 23/32	(831)	2-1 47/64	(654)	2-3	(686)
3012	3-0 1/4	(921)	2-11 1/4	(895)	2-4 47/64	(730)	2-6	(762)	2-1 29/32	(658)	2-1 13/32	(645)	1-6 7/16	(468)	1-7 45/64	(500)
3020	3-0 1/4	(921)	2-11 1/4	(895)	2-4 47/64	(730)	2-6	(762)	2-9 29/32	(861)	2-9 13/32	(849)	2-2 7/16	(671)	2-3 45/64	(704)
3212	3-2 1/4	(972)	3-1 1/4	(946)	2-6 47/64	(781)	2-8	(813)	2-0 25/32	(630)	2-0 9/32	(617)	1-5 5/16	(440)	1-6 37/64	(472)
3220	3-2 1/4	(972)	3-1 1/4	(946)	2-6 47/64	(781)	2-8	(813)	2-8 25/32	(833)	2-8 9/32	(820)	2-1 5/16	(643)	2-2 37/64	(675)
3612	3-6 1/4	(1073)	3-5 1/4	(1048)	2-10 47/64	(882)	3-0	(914)	2-1 59/64	(658)	2-1 27/64	(646)	1-6 7/16	(468)	1-7 45/64	(500)
3620	3-6 1/4	(1073)	3-5 1/4	(1048)	2-10 47/64	(882)	3-0	(914)	2-9 59/64	(861)	2-9 27/64	(849)	2-2 7/16	(672)	2-3 45/64	(704)
4012	3-10 1/4	(1175)	3-9 1/4	(1149)	3-2 47/64	(984)	3-4	(1016)	2-3 13/64	(691)	2-2 45/64	(678)	1-7 23/32	(501)	1-8 63/64	(533)
4020	3-10 1/4	(1175)	3-9 1/4	(1149)	3-2 47/64	(984)	3-4	(1016)	2-11 13/64	(894)	2-10 45/64	(881)	2-3 23/32	(704)	2-4 63/64	(736)
5412	5-0 1/4	(1530)	4-11 1/4	(1505)	4-4 47/64	(1339)	4-6	(1372)	2-5 3/64	(738)	2-4 35/64	(725)	1-9 9/16	(548)	1-10 53/64	(580)
5420	5-0 1/4	(1530)	4-11 1/4	(1505)	4-4 47/64	(1339)	4-6	(1372)	3-1 3/64	(941)	3-0 35/64	(928)	2-5 9/16	(751)	2-6 53/64	(783)

Clad Ultimate Double Hung Round Top - Next Generation 2.0

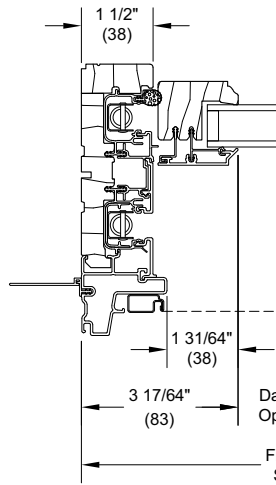
Section Details: Operating

Scale: 3" = 1' 0"

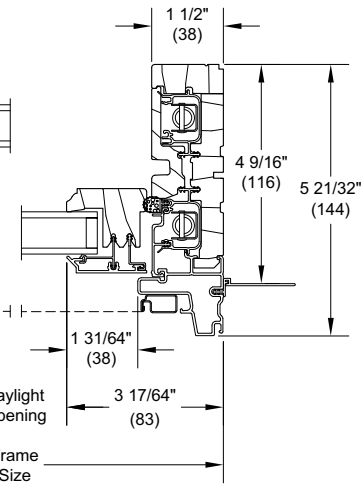
Double Hung



Lower Sash

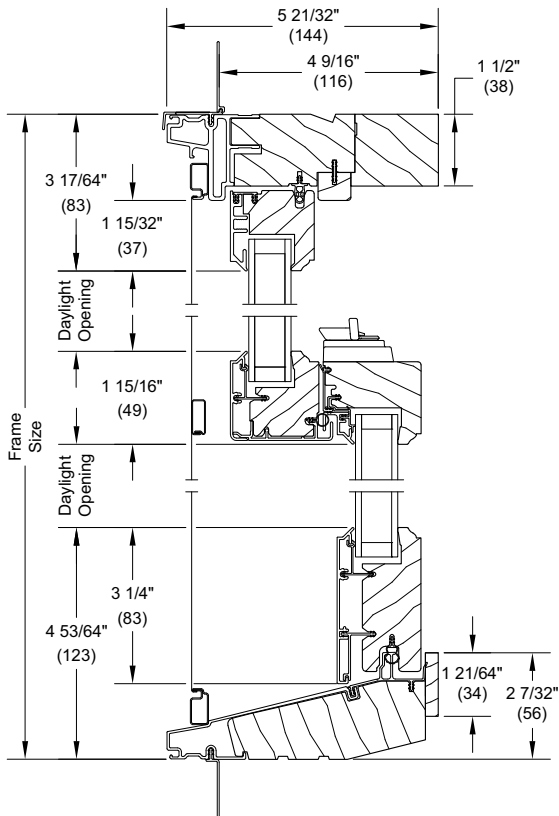


Upper Sash

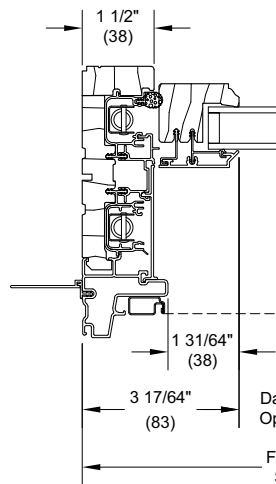


Jambs

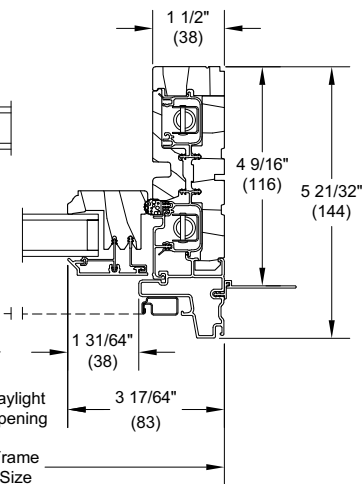
Single Hung



Lower Sash



Upper Sash



Jambs

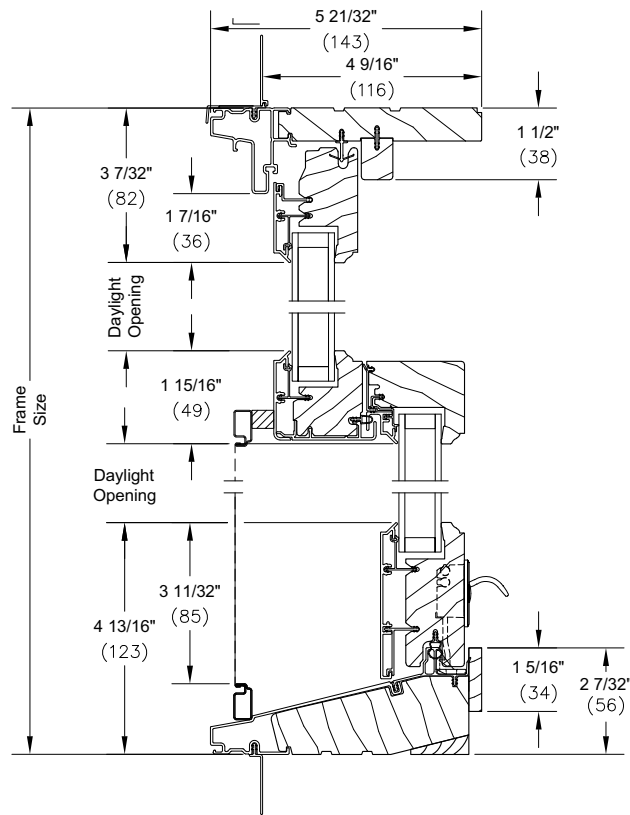
Head Jamb and Sill

Clad Ultimate Double Hung Round Top - Next Generation 2.0

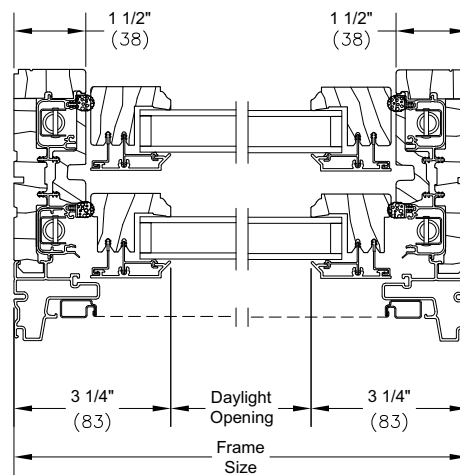
Section Details: Operating (With Optional Lift Lock Hardware)

Scale: 3" = 1' 0"

Single Hung



Head Jamb and Sill with Lift-Lock

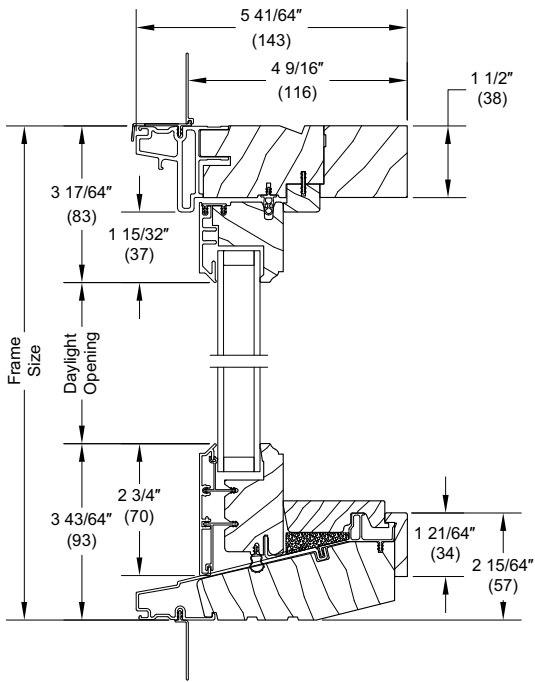


Jamb

Clad Ultimate Double Hung Round Top - Next Generation 2.0

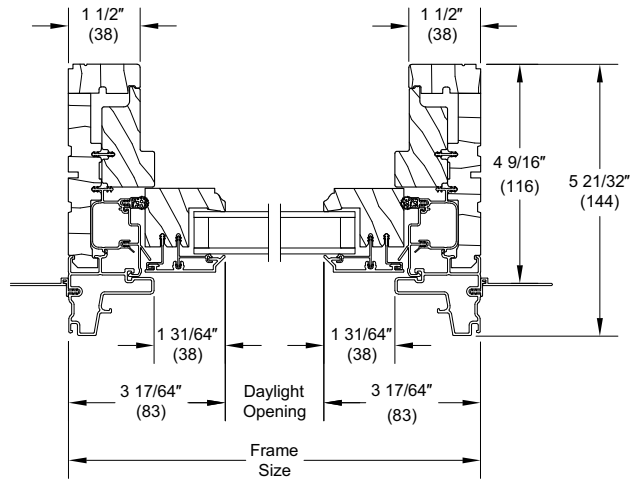
Section Details: Transom and Picture

Scale: 3" = 1' 0"

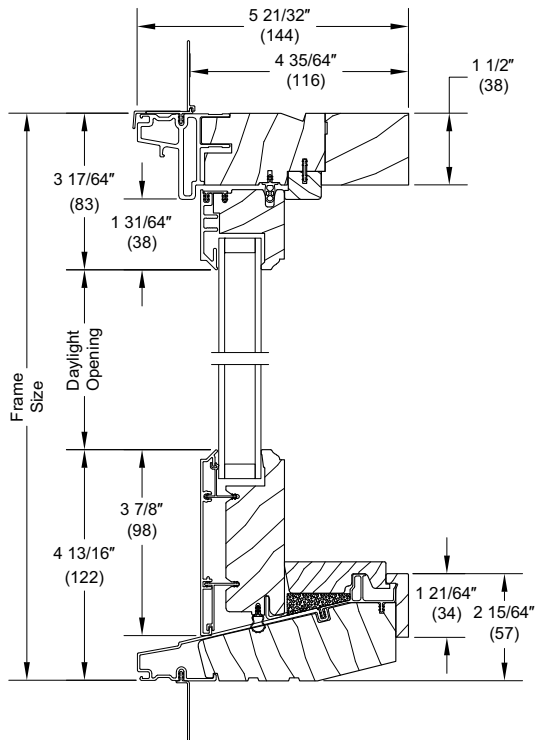


Head Jamb and Sill

Transom

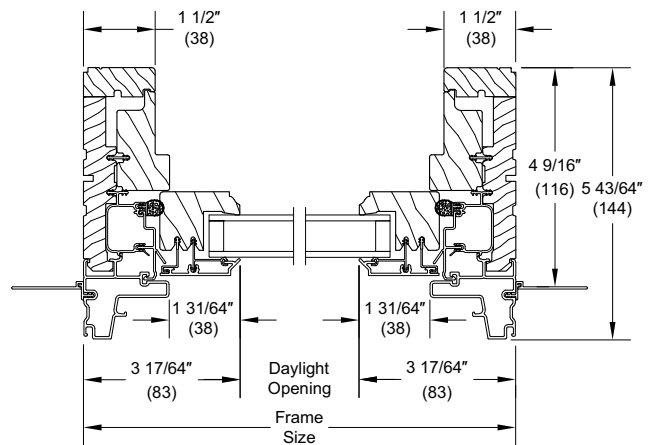


Jamb



Head Jamb & Sill

Picture

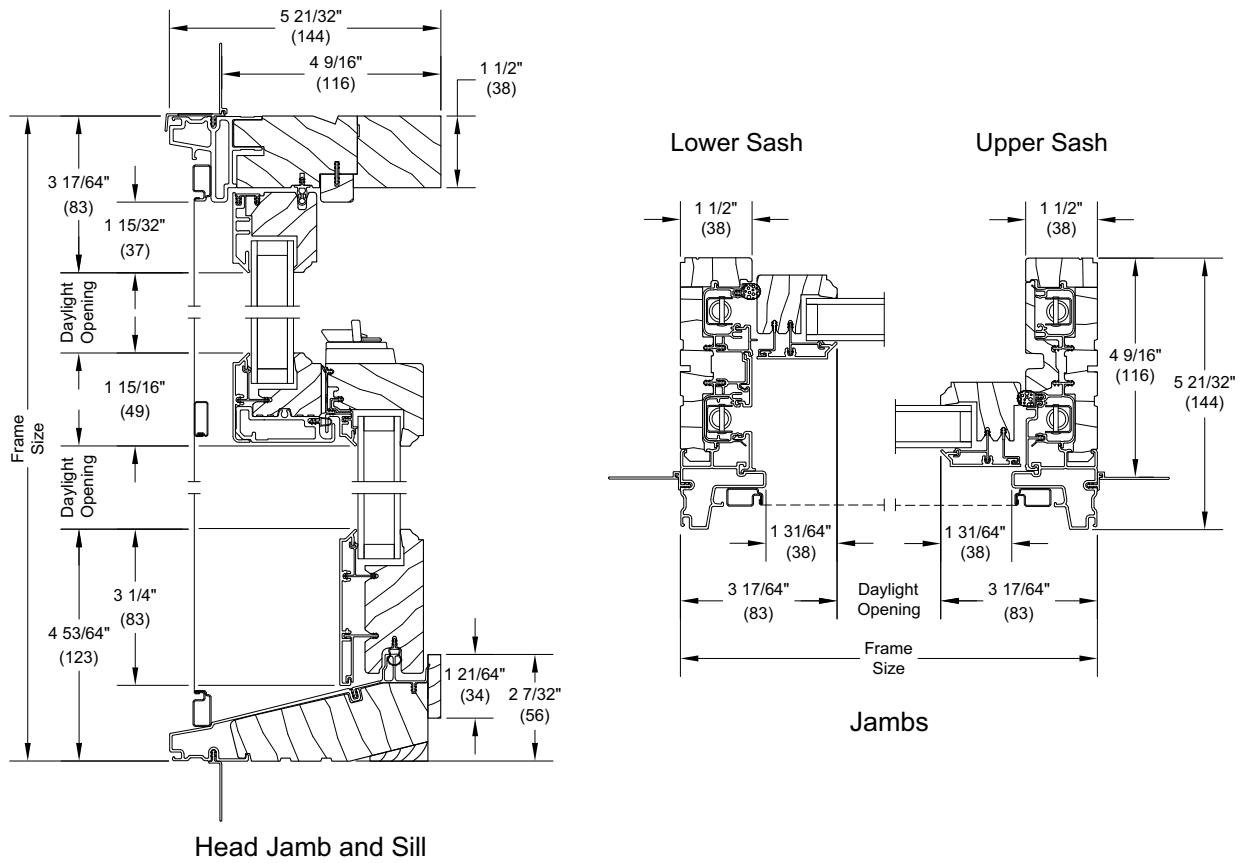


Jamb

Clad Ultimate Double Hung Round Top - Next Generation 2.0

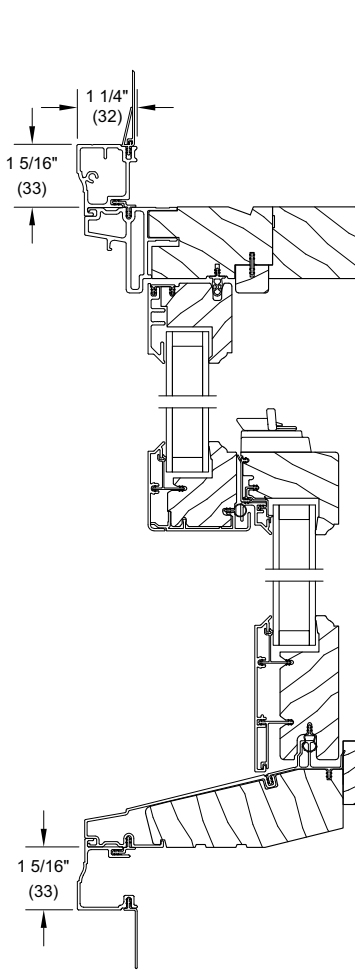
Section Details: Operating (Commercial Window Performance Rating)

Scale: 3" = 1' 0"

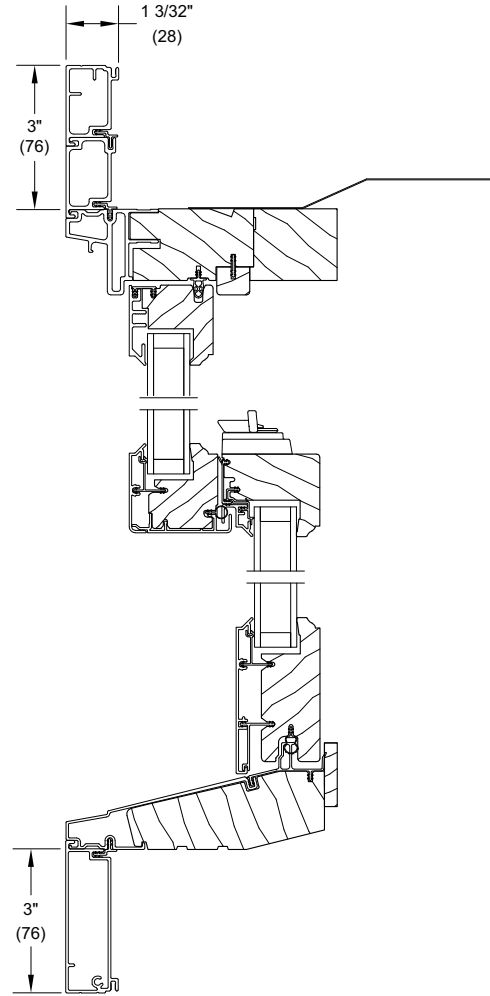


Section Details: Casings

Scale: 3" = 1' 0"

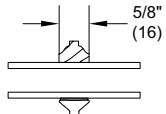


Head Jamb and Sill
with Clad Brick Mould Casing
Four Sides

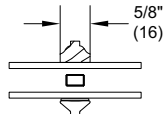


Head Jamb and Sill
with Clad Flat Casing
Four Sides

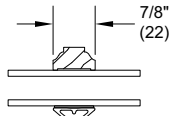
Lite Options



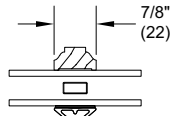
5/8" SDL



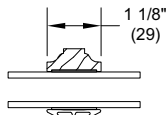
5/8" SDL
W/Spacer



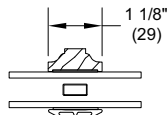
7/8" SDL



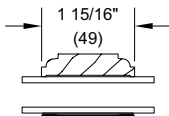
7/8" SDL
W/Spacer Bar



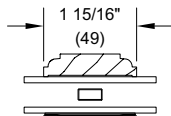
1 1/8" SDL



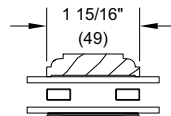
1 1/8" SDL
W/Spacer Bar



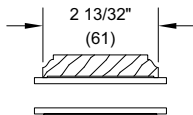
1 15/16" SDL



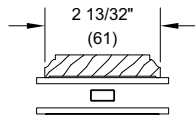
1 15/16" SDL
W/One Spacer Bar



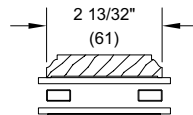
1 15/16" SDL
W/Two Spacer Bars



2 13/32" SDL



2 13/32" SDL
W/One Spacer Bar



2 13/32" SDL
W/Two Spacer Bars

Optional Interior Square Simulated Divided Lite Option

