

Ultimate Casement Venting Picture

Unit Features.....	1
Venting Opening and Volume of Air Movement.....	2
Daylight Measurement - Venting Picture.....	6
Minimum and Maximum Guidelines/Certified Ratings.....	9
Measurement Conversions/Sash Travel Information.....	10
Standard Unit Measurement: Venting Picture.....	11
Section Details: 3/4" IG and 1" IG.....	12
Section Details: Casing 6 9/16" Jamb.....	13

Unit Features

Ultimate Casement Venting Picture Window - UCAVP

NOTE: Ultimate Casement Venting Picture is not available with CE mark.

Hardware:

- The Venting Picture unit utilizes hardware which operates and locks the sash. The sliding mechanisms attached to the frame operate the hinges which project the sash outward, parallel to the frame. The unit is operated using two handles, located on each the side jambs. Venting picture hardware does not allow this unit to be used for egress applications.
- The Venting Picture hardware allows the sash to project outward 2 1/4" (57) to allow for ventilation.
- Handles are operated simultaneously on widths less than 36" (914) and independently on widths greater than 36" (914).
- Standard handle is made of zinc and painted Satin Taupe. Optional finishes: White, Bronze, Brass, Satin Chrome, Antique Brass, Oil Rubbed Bronze, Satin Nickel, and Polished Chrome.
- Optional tall handle location available on units with OM height of 77 1/8" (1959) or greater, places center of handle 36" (914) from bottom of unit.

Weather Strip:

- The weather strip on the frame consists of a low-durometer hollow bulb on top of a flexible barbed stem. The material is UV resistant, durable, has a low CTE, and is flexible enough to be bent around 90 degree corners. The bent weather strip allows for no seams in the corners.
- The frame weather strip is beige.
- The sash weather strip is made of a glass filled polypropylene material with a flexible bulb and is formulated to be UV resistant, have a low COE, and slide easily in and out of the frame.
- The sash weather strip is available in white, beige and black.

Mulling:

- For mull performance, refer to the General Mulling chapter of the ADM.

Screening:

- The Venting Picture window screen is fabricated with silver gray fiberglass screen mesh encasing a reticulated foam bulb which is retained by a vinyl carrier and fastened to the sash with adhesive tape. The position of the screen bulb places it in contact with the frame to block insects and large air born particles while still allowing airflow.

Venting Opening and Volume of Air Movement

CN	Opening Vent Width		Opening Vent Height		Vent Opening		Volume of Air Movement	
	ft - in	mm	ft - in	mm	ft ²	m ²	ft ²	m ²
1636	1-2 1/16	(357)	2-9 3/16	(843)	0.27	(0.025)	20.14	(0.57)
1640	1-2 1/16	(357)	3-1 3/16	(944)	0.29	(0.027)	21.84	(0.62)
1644	1-2 1/16	(357)	3-5 3/16	(1046)	0.31	(0.029)	23.55	(0.67)
1648	1-2 1/16	(357)	3-9 3/16	(1147)	0.34	(0.031)	25.25	(0.72)
1654	1-2 1/16	(357)	4-3 3/16	(1300)	0.37	(0.034)	27.81	(0.79)
1656	1-2 1/16	(357)	4-5 3/16	(1351)	0.38	(0.035)	28.66	(0.81)
1660	1-2 1/16	(357)	4-9 3/16	(1452)	0.40	(0.038)	30.37	(0.86)
1664	1-2 1/16	(357)	5-1 3/16	(1554)	0.43	(0.040)	32.07	(0.91)
1672 T	1-2 1/16	(357)	5-9 3/16	(1757)	0.47	(0.044)	35.49	(1.00)
1678 T	1-2 1/16	(357)	6-3 3/16	(1909)	0.51	(0.047)	38.04	(1.08)
1684 T	1-2 1/16	(357)	6-9 3/16	(2062)	0.54	(0.050)	40.60	(1.15)
1692 T	1-2 1/16	(357)	7-5 3/16	(2265)	0.59	(0.054)	44.01	(1.25)
1696 T	1-2 1/16	(357)	7-9 3/16	(2367)	0.61	(0.057)	45.72	(1.29)
1836	1-4 1/16	(408)	2-9 3/16	(843)	0.28	(0.026)	20.99	(0.59)
1840	1-4 1/16	(408)	3-1 3/16	(944)	0.30	(0.028)	22.69	(0.64)
1844	1-4 1/16	(408)	3-5 3/16	(1046)	0.33	(0.030)	24.40	(0.69)
1848	1-4 1/16	(408)	3-9 3/16	(1147)	0.35	(0.032)	26.10	(0.74)
1854	1-4 1/16	(408)	4-3 3/16	(1300)	0.38	(0.035)	28.66	(0.81)
1856	1-4 1/16	(408)	4-5 3/16	(1351)	0.39	(0.037)	29.52	(0.84)
1860	1-4 1/16	(408)	4-9 3/16	(1452)	0.42	(0.039)	31.22	(0.88)
1864	1-4 1/16	(408)	5-1 3/16	(1554)	0.44	(0.041)	32.93	(0.93)
1872 T	1-4 1/16	(408)	5-9 3/16	(1757)	0.48	(0.045)	36.34	(1.03)
1878 T	1-4 1/16	(408)	6-3 3/16	(1909)	0.52	(0.048)	38.90	(1.10)
1884 T	1-4 1/16	(408)	6-9 3/16	(2062)	0.55	(0.051)	41.46	(1.17)
1892 T	1-4 1/16	(408)	7-5 3/16	(2265)	0.60	(0.056)	44.87	(1.27)
1896 T	1-4 1/16	(408)	7-9 3/16	(2367)	0.62	(0.058)	46.57	(1.32)
2036	1-6 1/16	(458)	2-9 3/16	(843)	0.29	(0.027)	21.84	(0.62)
2040	1-6 1/16	(458)	3-1 3/16	(944)	0.31	(0.029)	23.55	(0.67)
2044	1-6 1/16	(458)	3-5 3/16	(1046)	0.34	(0.031)	25.25	(0.72)
2048	1-6 1/16	(458)	3-9 3/16	(1147)	0.36	(0.033)	26.96	(0.76)
2054	1-6 1/16	(458)	4-3 3/16	(1300)	0.39	(0.037)	29.52	(0.84)
2056	1-6 1/16	(458)	4-5 3/16	(1351)	0.40	(0.038)	30.37	(0.86)
2060	1-6 1/16	(458)	4-9 3/16	(1452)	0.43	(0.040)	32.07	(0.91)
2064	1-6 1/16	(458)	5-1 3/16	(1554)	0.45	(0.042)	33.78	(0.96)
2072 T	1-6 1/16	(458)	5-9 3/16	(1757)	0.50	(0.046)	37.19	(1.05)
2078 T	1-6 1/16	(458)	6-3 3/16	(1909)	0.53	(0.049)	39.75	(1.13)
2084 T	1-6 1/16	(458)	6-9 3/16	(2062)	0.56	(0.052)	42.31	(1.20)
2092 T	1-6 1/16	(458)	7-5 3/16	(2265)	0.61	(0.057)	45.72	(1.29)
2096 T	1-6 1/16	(458)	7-9 3/16	(2367)	0.63	(0.059)	47.43	(1.34)
2436	1-10 1/16	(560)	2-9 3/16	(843)	0.31	(0.029)	23.55	(0.67)
2440	1-10 1/16	(560)	3-1 3/16	(944)	0.34	(0.031)	25.25	(0.72)
2444	1-10 1/16	(560)	3-5 3/16	(1046)	0.36	(0.033)	26.96	(0.76)
2448	1-10 1/16	(560)	3-9 3/16	(1147)	0.38	(0.035)	28.66	(0.81)
2454	1-10 1/16	(560)	4-3 3/16	(1300)	0.42	(0.039)	31.22	(0.88)

NOTE: Ultimate Casement Venting Picture Window Air Volume Formula - Stated Volume is based on 1 MPH wind (88.0 ft. min.). To determine volume for other speeds of wind, convert the wind speed from MPH to feet per minute and use the following equation: Volume in cubic feet per minute = Area Velocity of Wind (ex. CN6464: .70 x 88.0 ft./mn x .852 = 52.54 cubic feet per minute (volume of air). 0.853 represents the resistance of air movement through the venting picture screen system.

Venting Opening and Volume of Air Movement

CN	Opening Vent Width		Opening Vent Height		Vent Opening		Volume of Air Movement	
	ft - in	mm	ft - in	mm	ft ²	m ²	ft ²	m ²
2456	1-10 1/16	(560)	4-5 3/16	(1351)	0.43	(0.040)	32.07	(0.91)
2460	1-10 1/16	(560)	4-9 3/16	(1452)	0.45	(0.042)	33.78	(0.96)
2464	1-10 1/16	(560)	5-1 3/16	(1554)	0.47	(0.044)	35.49	(1.00)
2472 T	1-10 1/16	(560)	5-9 3/16	(1757)	0.52	(0.048)	38.90	(1.10)
2478 T	1-10 1/16	(560)	6-3 3/16	(1909)	0.55	(0.051)	41.46	(1.17)
2484 T	1-10 1/16	(560)	6-9 3/16	(2062)	0.59	(0.054)	44.01	(1.25)
2492 T	1-10 1/16	(560)	7-5 3/16	(2265)	0.63	(0.059)	47.43	(1.34)
2496 T	1-10 1/16	(560)	7-9 3/16	(2367)	0.65	(0.061)	49.13	(1.39)
2636	2-0 1/16	(611)	2-9 3/16	(843)	0.33	(0.030)	24.40	(0.69)
2640	2-0 1/16	(611)	3-1 3/16	(944)	0.35	(0.032)	26.10	(0.74)
2644	2-0 1/16	(611)	3-5 3/16	(1046)	0.37	(0.034)	27.81	(0.79)
2648	2-0 1/16	(611)	3-9 3/16	(1147)	0.39	(0.037)	29.52	(0.84)
2654	2-0 1/16	(611)	4-3 3/16	(1300)	0.43	(0.040)	32.07	(0.91)
2656	2-0 1/16	(611)	4-5 3/16	(1351)	0.44	(0.041)	32.93	(0.93)
2660	2-0 1/16	(611)	4-9 3/16	(1452)	0.46	(0.043)	34.63	(0.98)
2664	2-0 1/16	(611)	5-1 3/16	(1554)	0.48	(0.045)	36.34	(1.03)
2672 T	2-0 1/16	(611)	5-9 3/16	(1757)	0.53	(0.049)	39.75	(1.13)
2678 T	2-0 1/16	(611)	6-3 3/16	(1909)	0.56	(0.052)	42.31	(1.20)
2684 T	2-0 1/16	(611)	6-9 3/16	(2062)	0.60	(0.056)	44.87	(1.27)
2692 T	2-0 1/16	(611)	7-5 3/16	(2265)	0.64	(0.060)	48.28	(1.37)
2696 T	2-0 1/16	(611)	7-9 3/16	(2367)	0.67	(0.062)	49.98	(1.42)
2836	2-2 1/16	(662)	2-9 3/16	(843)	0.34	(0.031)	25.25	(0.72)
2840	2-2 1/16	(662)	3-1 3/16	(944)	0.36	(0.033)	26.96	(0.76)
2844	2-2 1/16	(662)	3-5 3/16	(1046)	0.38	(0.035)	28.66	(0.81)
2848	2-2 1/16	(662)	3-9 3/16	(1147)	0.40	(0.038)	30.37	(0.86)
2854	2-2 1/16	(662)	4-3 3/16	(1300)	0.44	(0.041)	32.93	(0.93)
2856	2-2 1/16	(662)	4-5 3/16	(1351)	0.45	(0.042)	33.78	(0.96)
2860	2-2 1/16	(662)	4-9 3/16	(1452)	0.47	(0.044)	35.49	(1.00)
2864	2-2 1/16	(662)	5-1 3/16	(1554)	0.50	(0.046)	37.19	(1.05)
2872 T	2-2 1/16	(662)	5-9 3/16	(1757)	0.54	(0.050)	40.60	(1.15)
2878 T	2-2 1/16	(662)	6-3 3/16	(1909)	0.57	(0.053)	43.16	(1.22)
2884 T	2-2 1/16	(662)	6-9 3/16	(2062)	0.61	(0.057)	45.72	(1.29)
2892 T	2-2 1/16	(662)	7-5 3/16	(2265)	0.65	(0.061)	49.13	(1.39)
2896 T	2-2 1/16	(662)	7-9 3/16	(2367)	0.68	(0.063)	50.84	(1.44)
3036	2-4 1/16	(712)	2-9 3/16	(843)	0.35	(0.032)	26.10	(0.74)
3040	2-4 1/16	(712)	3-1 3/16	(944)	0.37	(0.034)	27.81	(0.79)
3044	2-4 1/16	(712)	3-5 3/16	(1046)	0.39	(0.037)	29.52	(0.84)
3048	2-4 1/16	(712)	3-9 3/16	(1147)	0.42	(0.039)	31.22	(0.88)
3054	2-4 1/16	(712)	4-3 3/16	(1300)	0.45	(0.042)	33.78	(0.96)
3056	2-4 1/16	(712)	4-5 3/16	(1351)	0.46	(0.043)	34.63	(0.98)
3060	2-4 1/16	(712)	4-9 3/16	(1452)	0.48	(0.045)	36.34	(1.03)
3064	2-4 1/16	(712)	5-1 3/16	(1554)	0.51	(0.047)	38.04	(1.08)
3072 T	2-4 1/16	(712)	5-9 3/16	(1757)	0.55	(0.051)	41.46	(1.17)

NOTE: Ultimate Casement Venting Picture Window Air Volume Formula - Stated Volume is based on 1 MPH wind (88.0 ft. min.). To determine volume for other speeds of wind, convert the wind speed from MPH to feet per minute and use the following equation: Volume in cubic feet per minute = Area Velocity of Wind (ex. CN6464: .70 x 88.0 ft./mn x .852 = 52.54 cubic feet per minute (volume of air). 0.853 represents the resistance of air movement through the venting picture screen system.

Venting Opening and Volume of Air Movement

CN		Opening Vent Width		Opening Vent Height		Vent Opening		Volume of Air Movement	
		ft - in	mm	ft - in	mm	ft ²	m ²	ft ²	m ²
3078	T	2-4 1/16	(712)	6-3 3/16	(1909)	0.59	(0.054)	44.01	(1.25)
3084	T	2-4 1/16	(712)	6-9 3/16	(2062)	0.62	(0.058)	46.57	(1.32)
3092	T	2-4 1/16	(712)	7-5 3/16	(2265)	0.67	(0.062)	49.98	(1.42)
3096	T	2-4 1/16	(712)	7-9 3/16	(2367)	0.69	(0.064)	51.69	(1.46)
3236		2-6 1/16	(763)	2-9 3/16	(843)	0.36	(0.033)	26.96	(0.76)
3240		2-6 1/16	(763)	3-1 3/16	(944)	0.38	(0.035)	28.66	(0.81)
3244		2-6 1/16	(763)	3-5 3/16	(1046)	0.40	(0.038)	30.37	(0.86)
3248		2-6 1/16	(763)	3-9 3/16	(1147)	0.43	(0.040)	32.07	(0.91)
3254		2-6 1/16	(763)	4-3 3/16	(1300)	0.46	(0.043)	34.63	(0.98)
3256		2-6 1/16	(763)	4-5 3/16	(1351)	0.47	(0.044)	35.49	(1.00)
3260		2-6 1/16	(763)	4-9 3/16	(1452)	0.50	(0.046)	37.19	(1.05)
3264		2-6 1/16	(763)	5-1 3/16	(1554)	0.52	(0.048)	38.90	(1.10)
3272	T	2-6 1/16	(763)	5-9 3/16	(1757)	0.56	(0.052)	42.31	(1.20)
3278	T	2-6 1/16	(763)	6-3 3/16	(1909)	0.60	(0.056)	44.87	(1.27)
3284	T	2-6 1/16	(763)	6-9 3/16	(2062)	0.63	(0.059)	47.43	(1.34)
3292	T	2-6 1/16	(763)	7-5 3/16	(2265)	0.68	(0.063)	50.84	(1.44)
3296	T	2-6 1/16	(763)	7-9 3/16	(2367)	0.70	(0.065)	52.54	(1.49)
3636		2-10 1/16	(865)	2-9 3/16	(843)	0.38	(0.035)	28.66	(0.81)
3640		2-10 1/16	(865)	3-1 3/16	(944)	0.40	(0.038)	30.37	(0.86)
3644		2-10 1/16	(865)	3-5 3/16	(1046)	0.43	(0.040)	32.07	(0.91)
3648		2-10 1/16	(865)	3-9 3/16	(1147)	0.45	(0.042)	33.78	(0.96)
3654		2-10 1/16	(865)	4-3 3/16	(1300)	0.48	(0.045)	36.34	(1.03)
3656		2-10 1/16	(865)	4-5 3/16	(1351)	0.50	(0.046)	37.19	(1.05)
3660		2-10 1/16	(865)	4-9 3/16	(1452)	0.52	(0.048)	38.90	(1.10)
3664		2-10 1/16	(865)	5-1 3/16	(1554)	0.54	(0.050)	40.60	(1.15)
3672	T	2-10 1/16	(865)	5-9 3/16	(1757)	0.59	(0.054)	44.01	(1.25)
3678	T	2-10 1/16	(865)	6-3 3/16	(1909)	0.62	(0.058)	46.57	(1.32)
3684	T	2-10 1/16	(865)	6-9 3/16	(2062)	0.65	(0.061)	49.13	(1.39)
3692	T	2-10 1/16	(865)	7-5 3/16	(2265)	0.70	(0.065)	52.54	(1.49)
3696	T	2-10 1/16	(865)	7-9 3/16	(2367)	0.72	(0.067)	54.25	(1.54)
4036		3-2 1/16	(966)	2-9 3/16	(843)	0.40	(0.038)	30.37	(0.86)
4040		3-2 1/16	(966)	3-1 3/16	(944)	0.43	(0.040)	32.07	(0.91)
4044		3-2 1/16	(966)	3-5 3/16	(1046)	0.45	(0.042)	33.78	(0.96)
4048		3-2 1/16	(966)	3-9 3/16	(1147)	0.47	(0.044)	35.49	(1.00)
4054		3-2 1/16	(966)	4-3 3/16	(1300)	0.51	(0.047)	38.04	(1.08)
4056		3-2 1/16	(966)	4-5 3/16	(1351)	0.52	(0.048)	38.90	(1.10)
4060		3-2 1/16	(966)	4-9 3/16	(1452)	0.54	(0.050)	40.60	(1.15)
4064		3-2 1/16	(966)	5-1 3/16	(1554)	0.56	(0.052)	42.31	(1.20)
4072	T	3-2 1/16	(966)	5-9 3/16	(1757)	0.61	(0.057)	45.72	(1.29)
4078	T	3-2 1/16	(966)	6-3 3/16	(1909)	0.64	(0.060)	48.28	(1.37)
4084	T	3-2 1/16	(966)	6-9 3/16	(2062)	0.68	(0.063)	50.84	(1.44)
4092	T	3-2 1/16	(966)	7-5 3/16	(2265)	0.72	(0.067)	54.25	(1.54)
4836	T	3-10 1/16	(1170)	2-9 3/16	(843)	0.45	(0.042)	33.78	(0.96)

NOTE: Ultimate Casement Venting Picture Window Air Volume Formula - Stated Volume is based on 1 MPH wind (88.0 ft. min.). To determine volume for other speeds of wind, convert the wind speed from MPH to feet per minute and use the following equation: Volume in cubic feet per minute = Area Velocity of Wind (ex. CN6464: .70 x 88.0 ft./mn x .852 = 52.54 cubic feet per minute (volume of air). 0.853 represents the resistance of air movement through the venting picture screen system.

Venting Opening and Volume of Air Movement

CN	Opening Vent Width		Opening Vent Height		Vent Opening		Volume of Air Movement	
	ft - in	mm	ft - in	mm	ft ²	m ²	ft ²	m ²
4840	3-10 1/16	(1170)	3-1 3/16	(944)	0.47	(0.044)	35.49	(1.00)
4844	3-10 1/16	(1170)	3-5 3/16	(1046)	0.50	(0.046)	37.19	(1.05)
4848	3-10 1/16	(1170)	3-9 3/16	(1147)	0.52	(0.048)	38.90	(1.10)
4854	3-10 1/16	(1170)	4-3 3/16	(1300)	0.55	(0.051)	41.46	(1.17)
4856	3-10 1/16	(1170)	4-5 3/16	(1351)	0.56	(0.052)	42.31	(1.20)
4860	3-10 1/16	(1170)	4-9 3/16	(1452)	0.59	(0.054)	44.01	(1.25)
4864	3-10 1/16	(1170)	5-1 3/16	(1554)	0.61	(0.057)	45.72	(1.29)
4872 T	3-10 1/16	(1170)	5-9 3/16	(1757)	0.65	(0.061)	49.13	(1.39)
5636 T	4-6 1/16	(1373)	2-9 3/16	(843)	0.50	(0.046)	37.19	(1.05)
5640 T	4-6 1/16	(1373)	3-1 3/16	(944)	0.52	(0.048)	38.90	(1.10)
5644 T	4-6 1/16	(1373)	3-5 3/16	(1046)	0.54	(0.050)	40.60	(1.15)
5648 T	4-6 1/16	(1373)	3-9 3/16	(1147)	0.56	(0.052)	42.31	(1.20)
5654	4-6 1/16	(1373)	4-3 3/16	(1300)	0.60	(0.056)	44.87	(1.27)
5656	4-6 1/16	(1373)	4-5 3/16	(1351)	0.61	(0.057)	45.72	(1.29)
5660	4-6 1/16	(1373)	4-9 3/16	(1452)	0.63	(0.059)	47.43	(1.34)
5664	4-6 1/16	(1373)	5-1 3/16	(1554)	0.65	(0.061)	49.13	(1.39)
5672	4-6 1/16	(1373)	5-9 3/16	(1757)	0.70	(0.065)	52.54	(1.49)
6036	4-10 1/16	(1474)	2-9 3/16	(843)	0.52	(0.048)	38.90	(1.10)
6040	4-10 1/16	(1474)	3-1 3/16	(944)	0.54	(0.050)	40.60	(1.15)
6044	4-10 1/16	(1474)	3-5 3/16	(1046)	0.56	(0.052)	42.31	(1.20)
6048 T	4-10 1/16	(1474)	3-9 3/16	(1147)	0.59	(0.054)	44.01	(1.25)
6054 T	4-10 1/16	(1474)	4-3 3/16	(1300)	0.62	(0.058)	46.57	(1.32)
6056 T	4-10 1/16	(1474)	4-5 3/16	(1351)	0.63	(0.059)	47.43	(1.34)
6060 T	4-10 1/16	(1474)	4-9 3/16	(1452)	0.65	(0.061)	49.13	(1.39)
6064 T	4-10 1/16	(1474)	5-1 3/16	(1554)	0.68	(0.063)	50.84	(1.44)
6072	4-10 1/16	(1474)	5-9 3/16	(1757)	0.72	(0.067)	54.25	(1.54)
6436	5-2 1/16	(1576)	2-9 3/16	(843)	0.54	(0.050)	40.60	(1.15)
6440	5-2 1/16	(1576)	3-1 3/16	(944)	0.56	(0.052)	42.31	(1.20)
6444	5-2 1/16	(1576)	3-5 3/16	(1046)	0.59	(0.054)	44.01	(1.25)
6448	5-2 1/16	(1576)	3-9 3/16	(1147)	0.61	(0.057)	45.72	(1.29)
6454	5-2 1/16	(1576)	4-3 3/16	(1300)	0.64	(0.060)	48.28	(1.37)
6456	5-2 1/16	(1576)	4-5 3/16	(1351)	0.65	(0.061)	49.13	(1.39)
6460 T	5-2 1/16	(1576)	4-9 3/16	(1452)	0.68	(0.063)	50.84	(1.44)
6464 T	5-2 1/16	(1576)	5-1 3/16	(1554)	0.70	(0.065)	52.54	(1.49)
6472 T	5-2 1/16	(1576)	5-9 3/16	(1757)	0.75	(0.069)	55.95	(1.58)
7236 T	5-10 1/16	(1779)	2-9 3/16	(843)	0.59	(0.054)	44.01	(1.25)
7240 T	5-10 1/16	(1779)	3-1 3/16	(944)	0.61	(0.057)	45.72	(1.29)
7244 T	5-10 1/16	(1779)	3-5 3/16	(1046)	0.63	(0.059)	47.43	(1.34)
7248	5-10 1/16	(1779)	3-9 3/16	(1147)	0.65	(0.061)	49.13	(1.39)
7254	5-10 1/16	(1779)	4-3 3/16	(1300)	0.69	(0.064)	51.69	(1.46)
7256	5-10 1/16	(1779)	4-5 3/16	(1351)	0.70	(0.065)	52.54	(1.49)
7260	5-10 1/16	(1779)	4-9 3/16	(1452)	0.72	(0.067)	54.25	(1.54)
7264	5-10 1/16	(1779)	5-1 3/16	(1554)	0.75	(0.069)	55.95	(1.58)
7272	5-10 1/16	(1779)	5-9 3/16	(1757)	0.79	(0.073)	59.36	(1.68)

NOTE: Ultimate Casement Venting Picture Window Air Volume Formula - Stated Volume is based on 1 MPH wind (88.0 ft. min.). To determine volume for other speeds of wind, convert the wind speed from MPH to feet per minute and use the following equation: Volume in cubic feet per minute = Area Velocity of Wind (ex. CN6464: .70 x 88.0 ft./mn x .852 = 52.54 cubic feet per minute (volume of air). 0.853 represents the resistance of air movement through the venting picture screen system.

Daylight Measurement - Venting Picture

Ultimate Casement Daylight Measurements			Width										
			CN	16		18		20		24		26	
			DLO	0-10 3/16 (259)	1-0 3/16 (310)	1-2 3/16 (360)	1-6 3/16 (462)	1-8 3/16 (513)					
CN	DLO Height	Square Feet (Square Meters)											
		Standard Bottom Rail											
36	2-5 11/32 (745)	2.08 (0.19)	2.48 (0.23)	2.89 (0.27)	3.7 (0.34)	4.11 (0.38)							
40	2-9 11/32 (847)	2.36 (0.22)	2.82 (0.26)	3.28 (0.31)	4.21 (0.39)	4.67 (0.43)							
44	3-1 11/32 (948)	2.64 (0.25)	3.16 (0.29)	3.68 (0.34)	4.72 (0.44)	5.23 (0.49)							
48	3-5 11/32 (1050)	2.92 (0.27)	3.50 (0.32)	4.07 (0.38)	5.22 (0.48)	5.79 (0.54)							
54	3-11 11/32 (1202)	3.35 (0.31)	4.01 (0.37)	4.66 (0.43)	5.98 (0.56)	6.64 (0.62)							
56	4-1 11/32 (1253)	3.49 (0.32)	4.18 (0.39)	4.86 (0.45)	6.23 (0.58)	6.92 (0.64)							
60	4-5 11/32 (1355)	3.77 (0.35)	4.51 (0.42)	5.25 (0.49)	6.74 (0.63)	7.48 (0.69)							
64	4-9 11/32 (1456)	4.06 (0.38)	4.85 (0.45)	5.65 (0.52)	7.24 (0.67)	8.04 (0.75)							
72	5-5 11/32 (1659)	4.62 (0.43)	5.53 (0.51)	6.44 (0.60)	8.25 (0.77)	9.16 (0.85)							
78	5-11 11/32 (1812)	5.05 (0.47)	6.04 (0.56)	7.03 (0.65)	9.01 (0.84)	10. (0.93)							
84	6-5 11/32 (1964)	5.47 (0.51)	6.54 (0.61)	7.62 (0.71)	9.77 (0.91)	10.84 (1.01)							
92	7-1 11/32 (2167)	6.04 (0.56)	7.22 (0.67)	8.41 (0.78)	10.78 (1.00)	11.96 (1.11)							
96	7-5 11/32 (2269)	6.32 (0.59)	7.56 (0.70)	8.8 (0.82)	11.28 (1.05)	12.52 (1.16)							
		Tall Bottom Rail											
36	2-3 27/32 (707)	1.97 (0.18)	2.36 (0.22)	2.74 (0.25)	3.52 (0.33)	3.9 (0.36)							
40	2-7 27/32 (809)	2.25 (0.21)	2.69 (0.25)	3.14 (0.29)	4.02 (0.37)	4.46 (0.41)							
44	2-11 27/32 (910)	2.53 (0.24)	3.03 (0.28)	3.53 (0.33)	4.53 (0.42)	5.02 (0.47)							
48	3-3 27/32 (1012)	2.82 (0.26)	3.37 (0.31)	3.92 (0.36)	5.03 (0.47)	5.58 (0.52)							
54	3-9 27/32 (1164)	3.24 (0.30)	3.88 (0.36)	4.52 (0.42)	5.79 (0.54)	6.43 (0.60)							
56	3-11 27/32 (1215)	3.38 (0.31)	4.05 (0.38)	4.71 (0.44)	6.04 (0.56)	6.71 (0.62)							
60	4-3 27/32 (1317)	3.67 (0.34)	4.39 (0.41)	5.11 (0.47)	6.55 (0.61)	7.27 (0.68)							
64	4-7 27/32 (1418)	3.95 (0.37)	4.73 (0.44)	5.5 (0.51)	7.05 (0.66)	7.83 (0.73)							
72	5-3 27/32 (1621)	4.52 (0.42)	5.4 (0.50)	6.29 (0.58)	8.06 (0.75)	8.95 (0.83)							
78	5-9 27/32 (1774)	4.94 (0.46)	5.91 (0.55)	6.88 (0.64)	8.82 (0.82)	9.79 (0.91)							
84	6-3 27/32 (1926)	5.36 (0.50)	6.42 (0.60)	7.47 (0.69)	9.58 (0.89)	10.63 (0.99)							
92	6-11 27/32 (2129)	5.93 (0.55)	7.09 (0.66)	8.26 (0.77)	10.59 (0.98)	11.75 (1.09)							
96	7-3 27/32 (2231)	6.21 (0.58)	7.43 (0.69)	8.65 (0.80)	11.09 (1.03)	12.31 (1.14)							

Daylight Measurement - Venting Picture

Ultimate Casement Daylight Measurements		Width										
		CN	28		30		32		36		40	
		DLO	1-10 3/16 (564)	2-0 3/16 (614)	2-2 3/16 (665)	2-6 3/16 (767)	2-10 3/16 (868)					
CN	DLO Height	Square Feet (Square Meters)										
		Standard Bottom Rail										
36	2-5 11/32 (745)	4.52 (0.42)	4.93 (0.46)	5.33 (0.50)	6.15 (0.57)	6.96 (0.65)						
40	2-9 11/32 (847)	5.14 (0.48)	5.60 (0.52)	6.06 (0.56)	6.99 (0.65)	7.91 (0.74)						
44	3-1 11/32 (948)	5.75 (0.53)	6.27 (0.58)	6.79 (0.63)	7.83 (0.73)	8.86 (0.82)						
48	3-5 11/32 (1050)	6.37 (0.59)	6.94 (0.64)	7.52 (0.70)	8.66 (0.80)	9.81 (0.91)						
54	3-11 11/32 (1202)	7.29 (0.68)	7.95 (0.74)	8.61 (0.80)	9.92 (0.92)	11.24 (1.04)						
56	4-1 11/32 (1253)	7.6 (0.71)	8.29 (0.77)	8.97 (0.83)	10.34 (0.96)	11.71 (1.09)						
60	4-5 11/32 (1355)	8.22 (0.76)	8.96 (0.83)	9.7 (0.90)	11.18 (1.04)	12.66 (1.18)						
64	4-9 11/32 (1456)	8.83 (0.82)	9.63 (0.89)	10.43 (0.97)	12.02 (1.12)	13.61 (1.26)						
72	5-5 11/32 (1659)	10.07 (0.94)	10.97 (1.02)	11.88 (1.10)	13.7 (1.27)	15.51 (1.44)						
78	5-11 11/32 (1812)	10.99 (1.02)	11.98 (1.11)	12.97 (1.21)	14.95 (1.39)	16.94 (1.57)						
84	6-5 11/32 (1964)	11.92 (1.11)	12.99 (1.21)	14.06 (1.31)	16.21 (1.51)	18.36 (1.71)						
92	7-1 11/32 (2167)	13.15 (1.22)	14.33 (1.33)	15.52 (1.44)	17.89 (1.66)	20.26 (1.88)						
96	7-5 11/32 (2269)	13.76 (1.28)	15 (1.39)	16.25 (1.51)	18.73 (1.74)	N/A						
		Tall Bottom Rail										
36	2-3 27/32 (707)	4.29 (0.40)	4.67 (0.43)	5.06 (0.47)	5.83 (0.54)	6.61 (0.61)						
40	2-7 27/32 (809)	4.9 (0.46)	5.35 (0.50)	5.79 (0.54)	6.67 (0.62)	7.56 (0.70)						
44	2-11 27/32 (910)	5.52 (0.51)	6.02 (0.56)	6.52 (0.61)	7.51 (0.70)	8.51 (0.79)						
48	3-3 27/32 (1012)	6.14 (0.57)	6.69 (0.62)	7.24 (0.67)	8.35 (0.78)	9.46 (0.88)						
54	3-9 27/32 (1164)	7.06 (0.66)	7.7 (0.72)	8.33 (0.77)	9.61 (0.89)	10.88 (1.01)						
56	3-11 27/32 (1215)	7.37 (0.68)	8.03 (0.75)	8.7 (0.81)	10.03 (0.93)	11.36 (1.06)						
60	4-3 27/32 (1317)	7.99 (0.74)	8.71 (0.81)	9.43 (0.88)	10.87 (1.01)	12.31 (1.14)						
64	4-7 27/32 (1418)	8.6 (0.80)	9.38 (0.87)	10.15 (0.94)	11.7 (1.09)	13.26 (1.23)						
72	5-3 27/32 (1621)	9.84 (0.91)	10.72 (1.00)	11.61 (1.08)	13.38 (1.24)	15.15 (1.41)						
78	5-9 27/32 (1774)	10.76 (1.00)	11.73 (1.09)	12.7 (1.18)	14.64 (1.36)	16.58 (1.54)						
84	6-3 27/32 (1926)	11.68 (1.09)	12.74 (1.18)	13.79 (1.28)	15.9 (1.48)	18 (1.67)						
92	6-11 27/32 (2129)	12.92 (1.20)	14.08 (1.31)	15.25 (1.42)	17.57 (1.63)	19.9 (1.85)						
96	7-3 27/32 (2231)	13.53 (1.26)	14.75 (1.37)	15.97 (1.48)	18.41 (1.71)	N/A						

Daylight Measurement - Venting Picture

Ultimate Casement Daylight Measurements			Width										
			CN	48		56		60		64		72	
			DLO	3-6 3/16	(1072)	4-2 3/16	(1275)	4-6 3/16	(1376)	4-10 3/16	(1478)	5-6 3/16	(1681)
CN	DLO Height		Square Feet (Square Meters)										
			Standard Bottom Rail										
36	2-5 11/32	(745)	8.59	(0.80)	10.22	(0.95)	11.04	(1.03)	11.85	(1.10)	13.48	(1.25)	
40	2-9 11/32	(847)	9.77	(0.91)	11.62	(1.08)	12.54	(1.17)	13.47	(1.25)	15.32	(1.42)	
44	3-1 11/32	(948)	10.94	(1.02)	13.01	(1.21)	14.05	(1.31)	15.09	(1.40)	17.16	(1.59)	
48	3-5 11/32	(1050)	12.11	(1.12)	14.41	(1.34)	15.55	(1.44)	16.7	(1.55)	19.	(1.76)	
54	3-11 11/32	(1202)	13.87	(1.29)	16.5	(1.53)	17.81	(1.65)	19.13	(1.78)	21.76	(2.02)	
56	4-1 11/32	(1253)	14.45	(1.34)	17.19	(1.60)	18.56	(1.72)	19.93	(1.85)	22.68	(2.11)	
60	4-5 11/32	(1355)	15.62	(1.45)	18.59	(1.73)	20.07	(1.86)	21.55	(2.00)	24.51	(2.28)	
64	4-9 11/32	(1456)	16.8	(1.56)	19.98	(1.86)	21.57	(2.00)	23.17	(2.15)	26.35	(2.45)	
72	5-5 11/32	(1659)	19.14	(1.78)	22.77	(2.12)	24.58	(2.28)	26.4	(2.45)	30.03	(2.79)	
78	5-11 11/32	(1812)	N/A		N/A		N/A		N/A		N/A		
84	6-5 11/32	(1964)	N/A		N/A		N/A		N/A		N/A		
92	7-1 11/32	(2167)	N/A		N/A		N/A		N/A		N/A		
96	7-5 11/32	(2269)	N/A		N/A		N/A		N/A		N/A		
			Tall Bottom Rail										
36	2-3 27/32	(707)	8.15	(0.76)	9.7	(0.90)	10.47	(0.97)	11.25	(1.04)	12.79	(1.19)	
40	2-7 27/32	(809)	9.33	(0.87)	11.09	(1.03)	11.98	(1.11)	12.86	(1.20)	14.63	(1.36)	
44	2-11 27/32	(910)	10.5	(0.98)	12.49	(1.16)	13.48	(1.25)	14.48	(1.35)	16.47	(1.53)	
48	3-3 27/32	(1012)	11.67	(1.08)	13.88	(1.29)	14.99	(1.39)	16.1	(1.50)	18.31	(1.70)	
54	3-9 27/32	(1164)	13.43	(1.25)	15.97	(1.48)	17.25	(1.60)	18.52	(1.72)	21.07	(1.96)	
56	3-11 27/32	(1215)	14.01	(1.30)	16.67	(1.55)	18.	(1.67)	19.33	(1.80)	21.99	(2.04)	
60	4-3 27/32	(1317)	15.19	(1.41)	18.06	(1.68)	19.5	(1.81)	20.94	(1.95)	23.82	(2.21)	
64	4-7 27/32	(1418)	16.36	(1.52)	19.46	(1.81)	21.01	(1.95)	22.56	(2.10)	25.66	(2.38)	
72	5-3 27/32	(1621)	18.7	(1.74)	22.25	(2.07)	24.02	(2.23)	25.79	(2.40)	29.34	(2.73)	
78	5-9 27/32	(1774)	N/A		N/A		N/A		N/A		N/A		
84	6-3 27/32	(1926)	N/A		N/A		N/A		N/A		N/A		
92	6-11 27/32	(2129)	N/A		N/A		N/A		N/A		N/A		
96	7-3 27/32	(2231)	N/A		N/A		N/A		N/A		N/A		

Minimum and Maximum Guidelines/Certified Ratings

Minimum and Maximum Frame Size Guidelines									
Unit Type		Min Width		Min Height		Max Width		Max Height	
		in	mm	in	mm	in	mm	in	mm
UCAVP	Insulating Glass 3/4" (19) or 1" (25) operator	16	(406)	35 1/8	(892)	36	(914)	96 1/8	(2442)
						40	(1016)	92	(2337)
						72	(1829)	71 1/8	(1807)

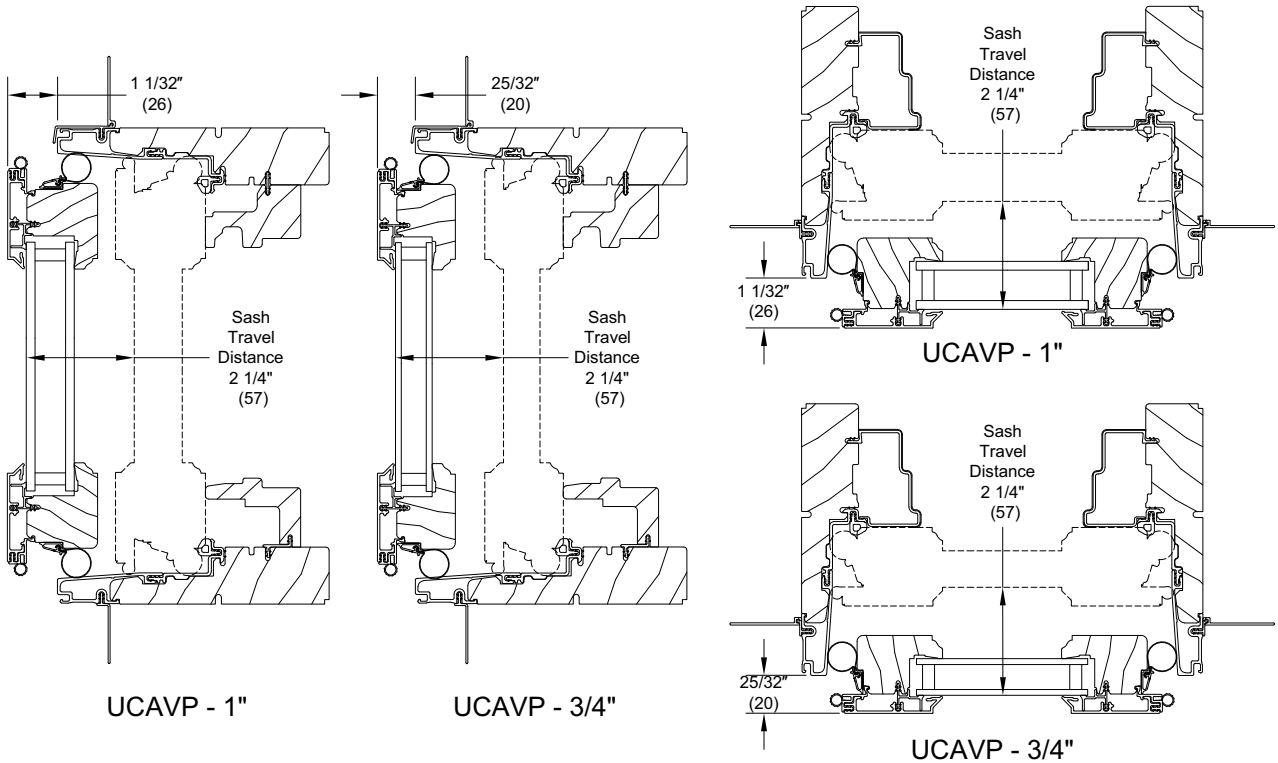
Product	Air Tested to psf	Water Tested to psf	Structural Tested to psf	Certification Rating	Design Pressure (DP)	Max Overall Width	Max Overall Height
Ultimate Casement Venting Picture	1.57	7.5	60	LC-PG40-AP	40	40"	71-1/8"
Ultimate Casement Venting Picture	1.57	7.5	60	LC-PG40-AP	40	40"	92-1/8"
Ultimate Casement Venting Picture	1.57	7.5	60	LC-PG40-AP	40	48"	71-1/8"
Ultimate Casement Venting Picture	1.57	7.5	60	LC-PG40-AP	40	72"	47-1/8"
Ultimate Casement Venting Picture	1.57	7.5	60	LC-PG40-AP	40	72"	71-1/8"

NOTE: Maximum sash weight of 200 lbs.

Measurement Conversions/Sash Travel Information

Unit Measurements		Width		Height	
From	To				
Rough Opening		in	mm	in	mm
OM of Frame	Rough Opening	+ 1	(25)	+ 1/2	(13)
Masonry Opening w/out BMC	Rough Opening	+ 1/2	(13)	+ 1/4	(06)
Masonry Opening w/BMC	Rough Opening	-2 1/8	(54)	-1 11/16	(43)
Masonry Opening w/Flat Casing	Rough Opening	-5 1/2	(140)	-3 3/8	(86)
Sash		in	mm	in	mm
OM of Frame	OM of Sash	-1 11/16	(43)	-1 11/16	(43)
Daylight Opening (Std Btm Rail)	OM of Sash	+ 4 3/32	(104)	+ 4 3/32	(104)
Daylight Opening (Tall Btm Rail)	OM of Sash	+ 4 3/32	(104)	+ 5 19/32	(142)
Glass		in	mm	in	mm
OM of Frame (Std Btm Rail)	Glass	-4 23/32	(120)	-4 23/32	(120)
OM of Frame (Tall Btm Rail)	Glass	-4 23/32	(120)	-6 7/32	(158)
Daylight Opening	Glass	+ 1 3/32	(28)	+ 1 3/32	(28)

Sash Travel Information



Standard Unit Measurement: Venting Picture

Standard Ultimate Casement Venting Picture Unit Measurements								
Width								
CN	Masonry Opening		Rough Opening		Frame Size		Daylight Opening	
	ft - in	mm	ft - in	mm	ft - in	mm	ft - in	mm
16	1-4 1/2	(419)	1-5	(432)	1-4	(406)	0-10 3/16	(259)
18	1-6 1/2	(470)	1-7	(483)	1-6	(457)	1-0 3/16	(310)
20	1-8 1/2	(521)	1-9	(533)	1-8	(508)	1-2 3/16	(360)
24	2-0 1/2	(622)	2-1	(635)	2-0	(610)	1-6 3/16	(462)
26	2-2 1/2	(673)	2-3	(686)	2-2	(660)	1-8 3/16	(513)
28	2-4 1/2	(724)	2-5	(737)	2-4	(711)	1-10 3/16	(564)
30	2-6 1/2	(775)	2-7	(787)	2-6	(762)	2-0 3/16	(614)
32	2-8 1/2	(826)	2-9	(838)	2-8	(813)	2-2 3/16	(665)
36	3-0 1/2	(927)	3-1	(940)	3-0	(914)	2-6 3/16	(767)
40	3-4 1/2	(1029)	3-5	(1041)	3-4	(1016)	2-10 3/16	(868)
48	4-0 1/2	(1232)	4-1	(1245)	4-0	(1219)	3-6 3/16	(1072)
56	4-8 1/2	(1435)	4-9	(1448)	4-8	(1422)	4-2 3/16	(1275)
60	5-0 1/2	(1537)	5-1	(1549)	5-0	(1524)	4-6 3/16	(1376)
64	5-4 1/2	(1638)	5-5	(1651)	5-4	(1626)	4-10 3/16	(1478)
72	6-0 1/2	(1842)	6-1	(1854)	6-0	(1829)	5-6 3/16	(1681)

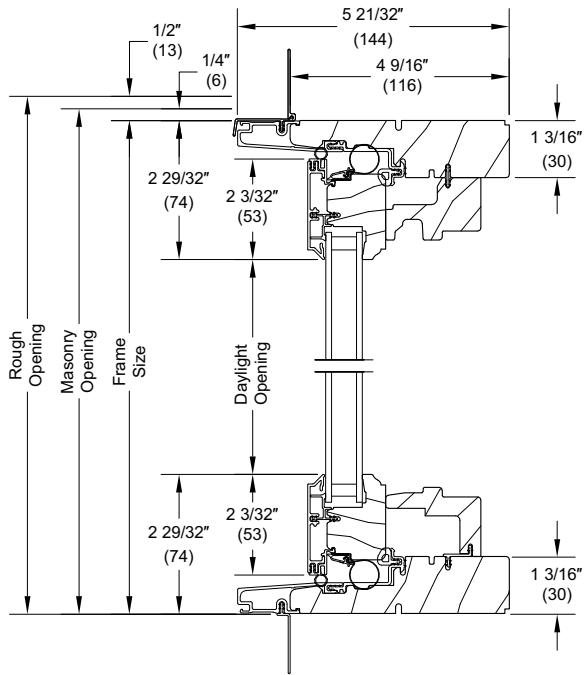
Standard Ultimate Casement Venting Picture Unit Measurements										
Height										
CN	Masonry Opening		Rough Opening		Frame Size		Daylight Opening (Std Bottom Rail)		Daylight Opening (Tall Bottom Rail)	
	ft - in	mm	ft - in	mm	ft - in	mm	ft - in	mm	ft - in	mm
36	2-11 3/8	(899)	2-11 5/8	(905)	2-11 1/8	(892)	2-5 11/32	(745)	2-3 27/32	(707)
40	3-3 3/8	(1000)	3-3 5/8	(1006)	3-3 1/8	(994)	2-9 11/32	(847)	2-7 27/32	(809)
44	3-7 3/8	(1102)	3-7 5/8	(1108)	3-7 1/8	(1095)	3-1 11/32	(948)	2-11 27/32	(910)
48	3-11 3/8	(1203)	3-11 5/8	(1210)	3-11 1/8	(1197)	3-5 11/32	(1050)	3-3 27/32	(1012)
54	4-5 3/8	(1356)	4-5 5/8	(1362)	4-5 1/8	(1349)	3-11 11/32	(1202)	3-9 27/32	(1164)
56	4-7 3/8	(1407)	4-7 5/8	(1413)	4-7 1/8	(1400)	4-1 11/32	(1253)	3-11 27/32	(1215)
60	4-11 3/8	(1508)	4-11 5/8	(1514)	4-11 1/8	(1502)	4-5 11/32	(1355)	4-3 27/32	(1317)
64	5-3 3/8	(1610)	5-3 5/8	(1616)	5-3 1/8	(1603)	4-9 11/32	(1456)	4-7 27/32	(1418)
72	5-11 3/8	(1813)	5-11 5/8	(1819)	5-11 1/8	(1807)	5-5 11/32	(1659)	5-3 27/32	(1621)
78	6-5 3/8	(1965)	6-5 5/8	(1972)	6-5 1/8	(1959)	5-11 11/32	(1812)	5-9 27/32	(1774)
84	6-11 3/8	(2118)	6-11 5/8	(2124)	6-11 1/8	(2111)	6-5 11/32	(1964)	6-3 27/32	(1926)
92	7-7 3/8	(2321)	7-7 5/8	(2327)	7-7 1/8	(2315)	7-1 11/32	(2167)	6-11 27/32	(2129)
96	7-11 3/8	(2423)	7-11 5/8	(2429)	7-11 1/8	(2416)	7-5 11/32	(2269)	7-3 27/32	(2231)

NOTE: 4096, 4878, 4884, 4892, 4896, 5678, 5684, 5692, 5696, 6078, 6084, 6092, 6096, 6478, 6484, 6092, 6096, 6478, 6484, 6492, 6496, 7878, 7284, and 7296 are over the max sash weight of 200 lbs.

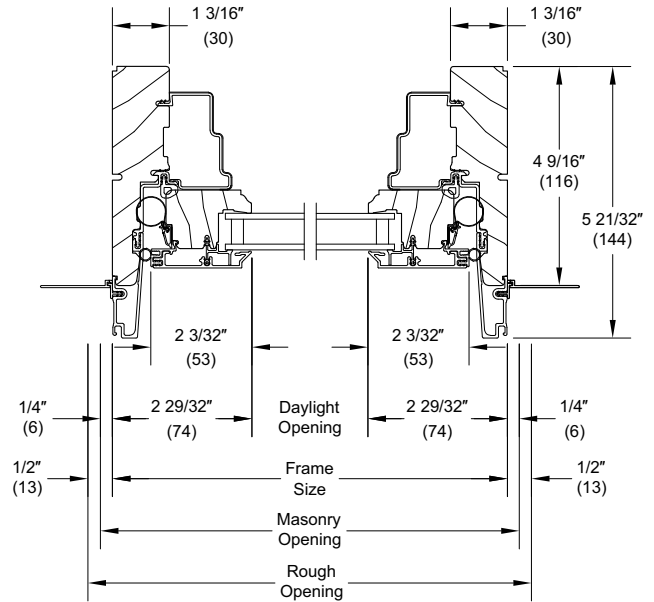
Section Details: 3/4" IG and 1" IG

Scale: 3" = 1' 0"

UCAVP - 3/4" IG

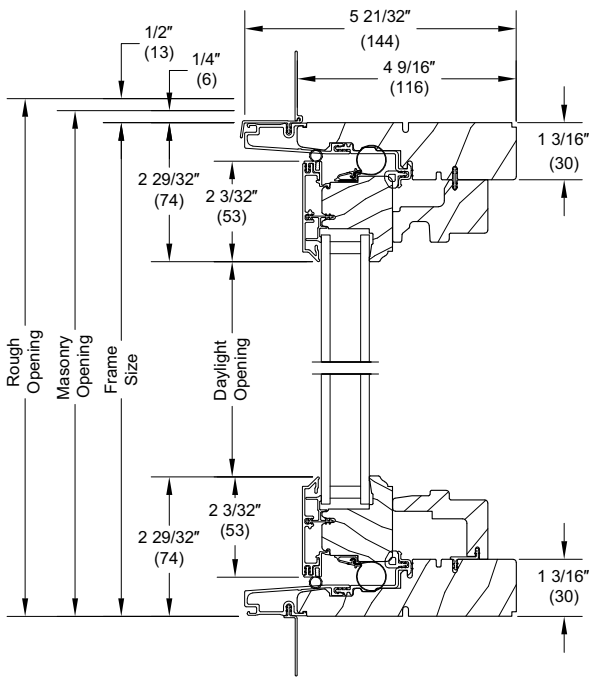


Head Jamb and Sill

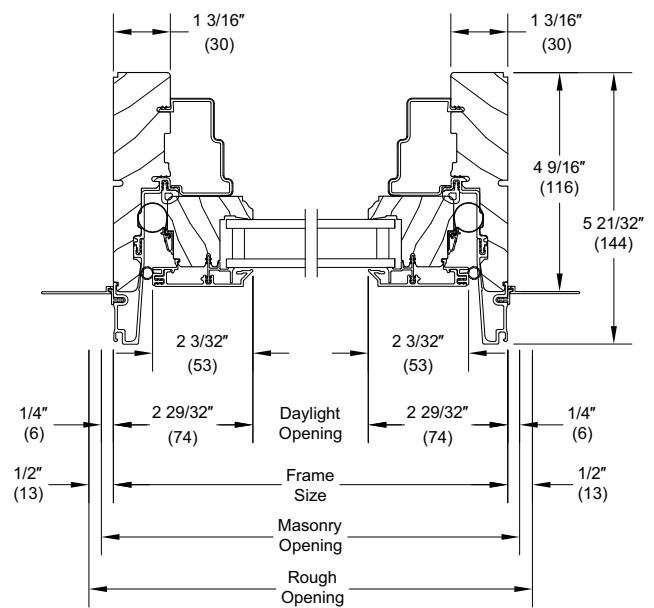


Jamb

UCAVP - 1" IG



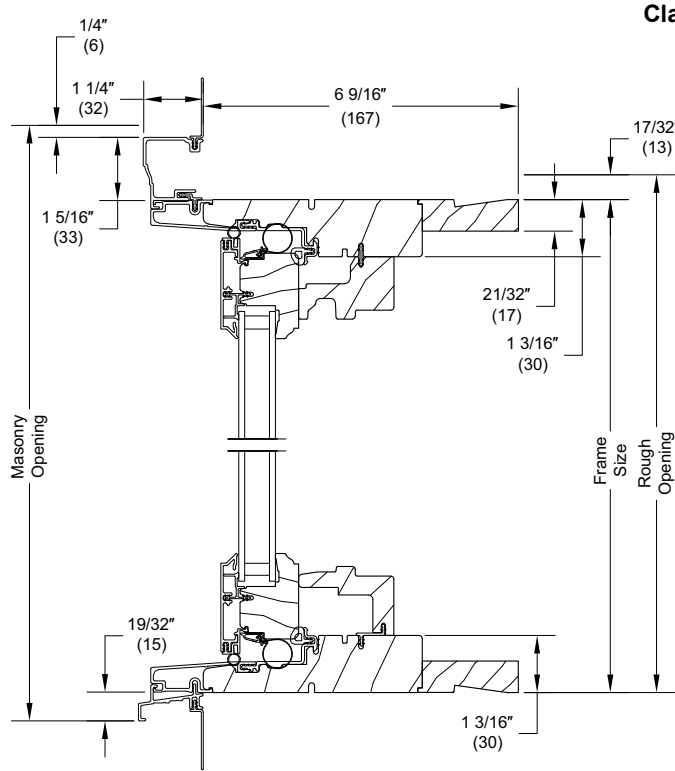
Head Jamb and Sill



Jamb

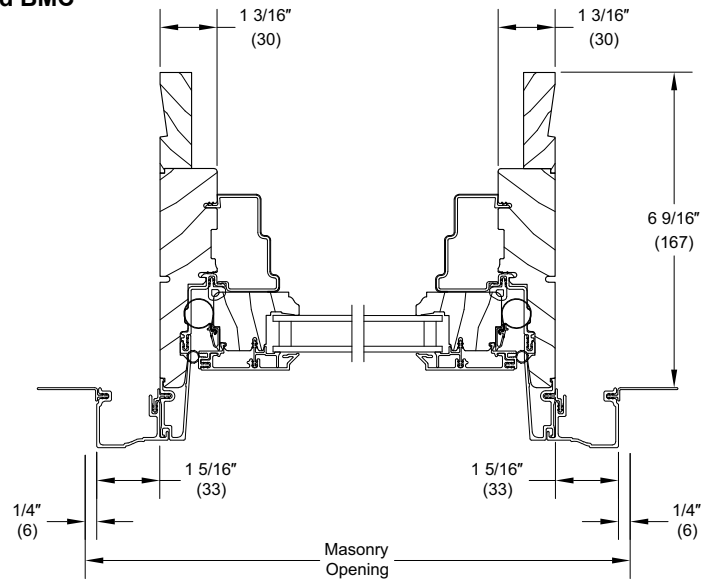
Section Details: Casing 6 9/16" Jamb

Scale: 3" = 1' 0"

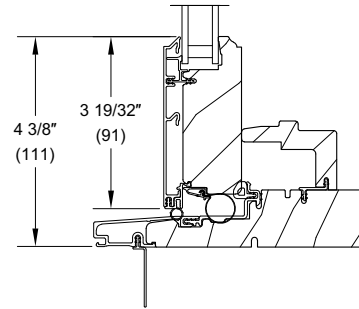


Head Jamb and Sill

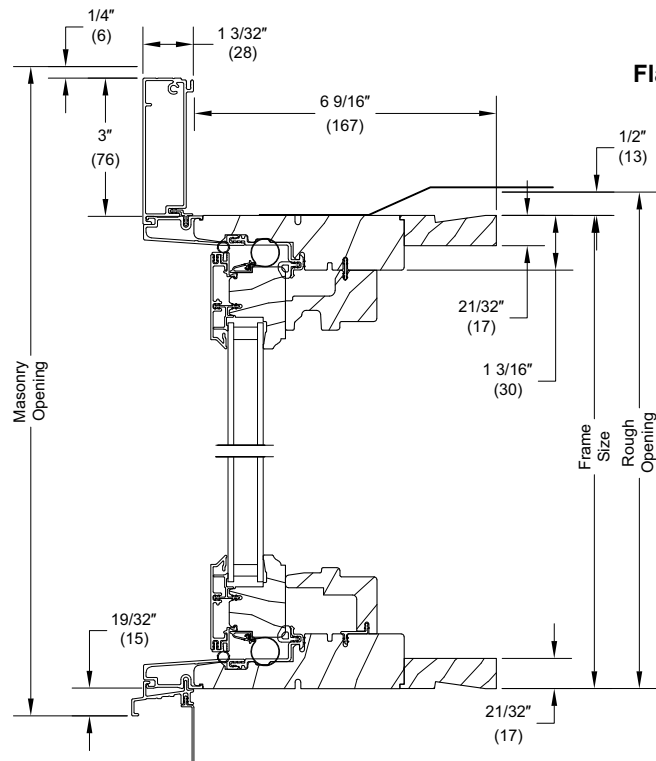
Clad BMC



Jamb

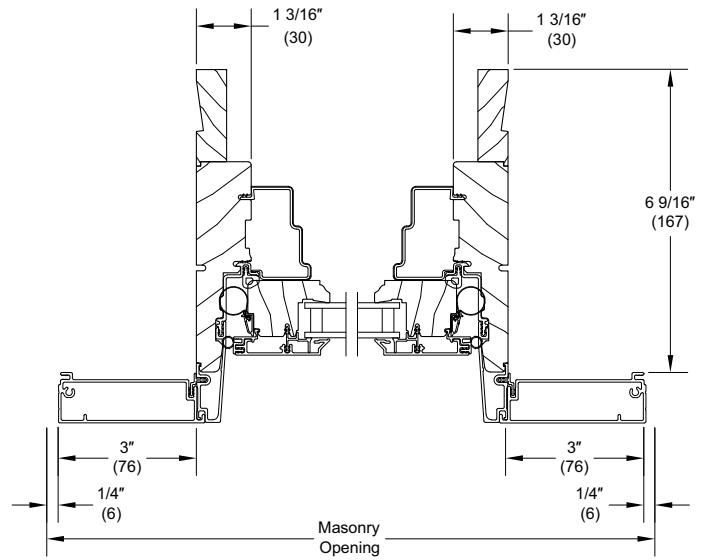


Wide Bottom Rail



Head Jamb and Sill

Flat Casing



Jamb