

Clad Ultimate Casement and Push Out Casement Bow and Bay

Unit Features.....	1
Min and Max Sizing, Projection and Standard Heights for Bows and Bays	2
Standard Heights for Bows and Bays.....	3
Measurement Conversions: CUCABB and CUPCABB	4
Bow Rough Opening and Projection - 3 Wide, 4 Wide, 5 Wide, 6 Wide	5
Section Details: Bow	6
Standard Width Call Number: CUCABB and CUPCABB-30° Bay	7
Construction Details / Rough Opening and Projection Calculations: 30° Bay.....	8
Standard Width Call Number: CUCABB and CUPCABB-45° Bay	9
Construction Details / Rough Opening and Projection Calculations: 45° Bay.....	10
Construction Details / Rough Opening and Projection Calculations: 90° Bay.....	11

Clad Ultimate Casement Push Out Casement Bow and Bay

Unit Features

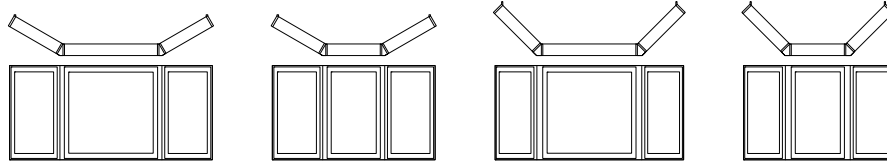
Clad Ultimate Casement / Awning Bow and Bay - CUCABB

Clad Ultimate Push Out Casement / Awning Bow and Bay - CUPCABB

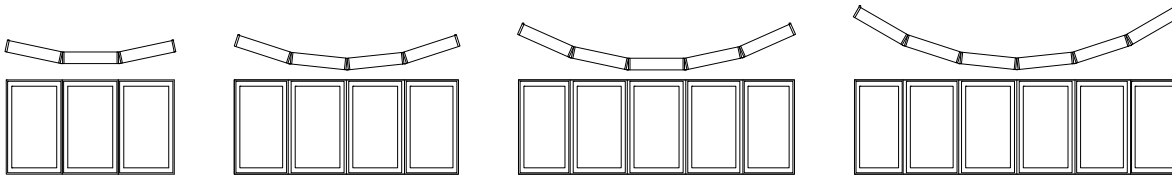
- 6 degree angle on Bows
- Laminated Pine wood or optional Douglas fir head and seat boards installed
- Installation brackets are available in lieu of nailing fin
- Optional retro fit bay square jamb return for CUCABB and CUPCABB

Information concerning Daylight Opening, Egress Opening, and Vent Opening will be determined based on the individual components of the Bow or Bay

Bay standard operation as viewed from exterior.



Bow standard operation as viewed from exterior.



NOTE: Also see Clad Ultimate Casement Collection for more unit features.

Use of clad casing will change the Rough Opening and Projection. Contract your Marvin representative for further information.

Bows and bays are not available with CE mark from the factory. Bow and bay kits are available for field mulling.

Lock Status Sensor (Optional):

- Available for CUCABB. Not available on Push Out Bow and Bay.
- Refer to **Lock Status Sensor Installation Instructions** for requirements.
- Lock Status Sensor provides locked and unlocked security detection. It allows easy integration with home automation systems using a wired or wireless connection.
 - For wired option, check with local codes on potential contractor requirements for low voltage networking connections.
 - Wireless option available. Requires purchase of secondary transmitter for operation. Marvin will prep for this option.
- Wireless Lock Status Sensor is located within the frame.
- Sensor Location
 - Will always be on locking side
- For Wired or Wireless, Black or White Magnet Covers available, visible on secondary surface. Cover color dependent upon interior finish.
 - White: Prime and White Painted Interior Finish
 - Black: Bare and all other finish options

Clad Ultimate Casement Push Out Casement Bow and Bay

Min and Max Sizing, Projection and Standard Heights for Bows and Bays

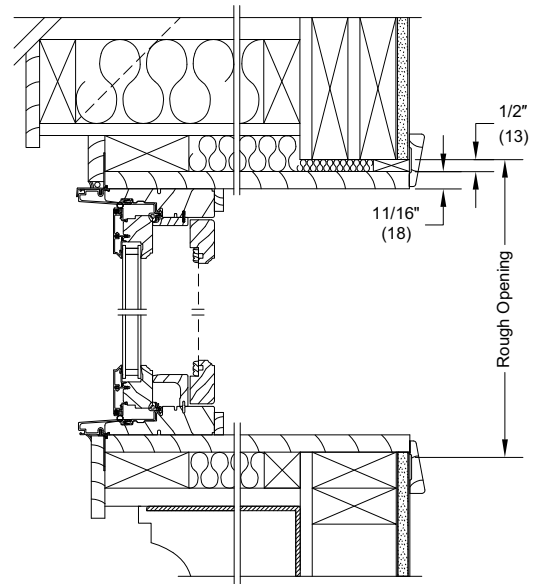
Configuration	Minimum and Maximum Rough Opening Guidelines							
	Min Width		Min Height		Max Width		Max Height	
	in	mm	in	mm	in	mm	in	mm
Bow - 3 Wide	49 9/16	(1259)	25	(635)	108 11/16	(2761)	73	(1854)
Bow - 4 Wide	65 7/16	(1662)	25	(635)	143 9/32	(3639)	73	(1854)
Bow - 5 Wide	80 5/8	(2048)	25	(635)	157 5/32	(3992)	73	(1854)
Bow - 6 Wide	94 29/32	(2411)	25	(635)	162 3/8	(4124)	73	(1854)
Bay - 30°	48 21/32	(1236)	25	(635)	139 5/16	(3539)	73	(1854)
Bay - 45°	45 11/32	(1152)	25	(635)	129 5/8	(3292)	73	(1854)
Bay - 90°	17 5/8	(448)	25	(635)	73 5/8	(1870)	73	(1854)

Configuration	Projection Depth			
	Minimum		Maximum	
	in	mm	in	mm
Bow - 3 Wide	3 13/32	(87)	7 9/16	(192)
Bow - 4 Wide	6 7/8	(175)	15 1/8	(384)
Bow - 5 Wide	10 1/4	(260)	20 1/16	(510)
Bow - 6 Wide	15 1/4	(387)	26 7/32	(666)
Bay - 30°	8 5/8	(219)	18 5/8	(473)
Bay - 45°	12 21/32	(321)	26 13/16	(681)
Bay - 90°	22 1/16	(560)	42 1/16	(1068)

Clad Ultimate Casement Push Out Casement Bow and Bay

Standard Heights for Bows and Bays

Call Number Height	RO Height (w/ head & seat boards)		Frame Size Height (w/ head & seat boards)	
	ft-in	mm	ft-in	mm
24	2-1	(635)	2-0 1/2	(622)
26	2-3	(686)	2-2 1/2	(673)
28	2-5	(737)	2-4 1/2	(724)
32	2-9	(838)	2-8 1/2	(826)
36	3-1	(940)	3-0 1/2	(927)
40	3-5	(1041)	3-4 1/2	(1029)
44	3-9	(1143)	3-8 1/2	(1130)
48	4-1	(1245)	4-0 1/2	(1232)
54	4-7	(1397)	4-6 1/2	(1384)
56	4-9	(1448)	4-8 1/2	(1435)
60	5-1	(1549)	5-0 1/2	(1537)
64	5-5	(1651)	5-4 1/2	(1638)
72	6-1	(1854)	6-0 1/2	(1842)



NOTE: Use of clad casing will change the Rough Opening and Projection. Contact your Marvin representative for further information.

Measurement Conversions: CUCABB and CUPCABB

Clad Measurement Conversions					
Unit Measurements		Width		Height	
From	To				
Rough Opening - 30° Bay		in	mm	in	mm
Masonry Opening with BMC	Rough Opening (w/ head and seat boards)	-3 25/32	(96)	-1/4	(06)
Masonry Opening w/out BMC	Rough Opening (w/ head and seat boards)	-1 7/32	(31)	+ 3/8	(10)
Rough Opening - 45° Bay		in	mm	in	mm
Masonry Opening with BMC	Rough Opening (w/ head and seat boards)	-4 31/32	(126)	-1/4	(06)
Masonry Opening w/out BMC	Rough Opening (w/ head and seat boards)	-1 13/16	(46)	+ 3/8	(10)
Rough Opening - 90° Bay		in	mm	in	mm
Masonry Opening with BMC	Rough Opening (w/ head and seat boards)	-10 3/16	(259)	-1/4	(06)
Masonry Opening w/out BMC	Rough Opening (w/ head and seat boards)	-10 3/16	(259)	+ 3/8	(10)
Rough Opening - 3W Bow		in	mm	in	mm
Masonry Opening with BMC	Rough Opening (w/ head and seat boards)	-2 23/32	(69)	-1/4	(06)
Masonry Opening w/out BMC	Rough Opening (w/ head and seat boards)	-19/32	(15)	+ 1/4	(06)
Rough Opening - 4W Bow		in	mm	in	mm
Masonry Opening with BMC	Rough Opening (w/ head and seat boards)	-3 1/32	(77)	-1/4	(06)
Masonry Opening w/out BMC	Rough Opening (w/ head and seat boards)	-13/16	(21)	+ 1/4	(06)
Rough Opening - 5W Bow		in	mm	in	mm
Masonry Opening with BMC	Rough Opening (w/ head and seat boards)	-3 13/32	(87)	-1/4	(06)
Masonry Opening w/out BMC	Rough Opening (w/ head and seat boards)	-1	(25)	+ 1/4	(06)
Rough Opening - 6W Bow		in	mm	in	mm
Masonry Opening with BMC	Rough Opening (w/ head and seat boards)	-3 25/32	(96)	-1/4	(06)
Masonry Opening w/out BMC	Rough Opening (w/ head and seat boards)	-1 7/32	(31)	+ 1/4	(06)

*NOTE: If no head board, Deduct 11/16" (17) from Rough Opening Height
 If no seat board, Deduct 11/16" (17) from Rough Opening Height
 Clad BMC or Flat Casing will change Rough Opening and Projection. Contact your Marvin representative.*

Clad Ultimate Casement Push Out Casement Bow and Bay

Bow Rough Opening and Projection - 3 Wide, 4 Wide, 5 Wide, 6 Wide

Call Number (Width)	Number Wide	Bow			
		RO		Projection	
16	3	4-1 37/64	(1259)	0-3 27/64	(87)
16	4	5-5 29/64	(1663)	0-6 55/64	(174)
16	5	6-8 5/8	(2048)	0-10 15/64	(260)
16	6	7-10 29/32	(2411)	1-3 1/4	(387)
18	3	4-7 31/64	(1409)	0-3 27/32	(98)
18	4	6-1 15/64	(1860)	0-7 11/16	(195)
18	5	7-6 3/16	(2291)	0-11 29/64	(291)
18	6	8-10 5/32	(2696)	1-5 5/64	(434)
20	3	5-1 25/64	(1560)	0-4 17/64	(108)
20	4	6-9 1/64	(2058)	0-8 33/64	(216)
20	5	8-3 3/4	(2534)	1-0 11/16	(322)
20	6	9-9 13/32	(2982)	1-6 29/32	(480)
24	3	6-1 7/32	(1860)	0-5 3/32	(129)
24	4	8-0 37/64	(2453)	0-10 11/64	(258)
24	5	9-10 57/64	(3020)	1-3 9/64	(385)
24	6	11-7 57/64	(3553)	1-10 9/16	(573)
26	3	6-7 9/64	(2010)	0-5 1/2	(140)
26	4	8-8 23/64	(2651)	0-11	(279)
26	5	10-8 29/64	(3263)	1-4 3/8	(416)
26	6	12-7 9/64	(3839)	2-0 25/64	(619)
28	3	7-1 3/64	(2160)	0-5 59/64	(150)
28	4	9-4 9/64	(2849)	0-11 53/64	(300)
28	5	11-6 1/64	(3506)	1-5 39/64	(447)
28	6	13-6 25/64	(4125)	2-2 7/32	(666)
30	3	7-6 31/32	(2310)	0-6 11/32	(161)
30	4	9-11 59/64	(3046)	1-0 21/32	(321)
30	5	12-3 19/32	(3749)	1-6 53/64	(478)
32	3	8-0 7/8	(2461)	0-6 3/4	(172)
32	4	10-7 23/32	(3244)	1-1 31/64	(342)
32	5	13-1 5/32	(3992)	1-8 1/16	(510)
36	3	9-0 45/64	(2761)	0-7 37/64	(193)
36	4	11-11 9/32	(3639)	1-3 9/64	(384)

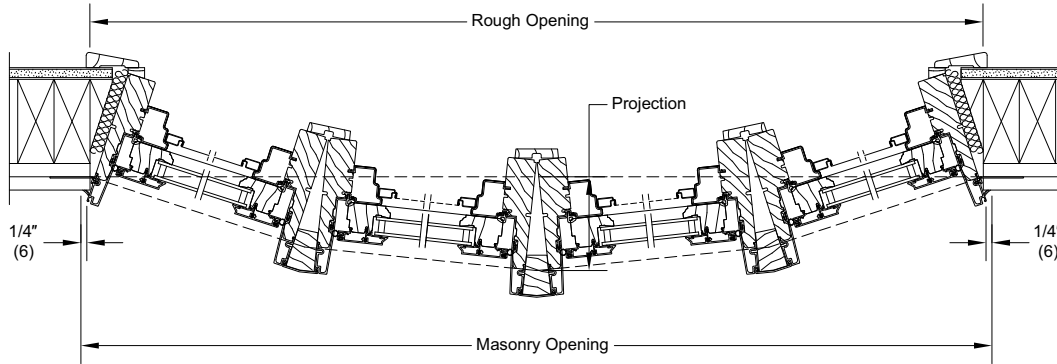
NOTE: Clad BMC or Flat Casing will change Rough Opening and Projection. Contact your Marvin representative.

Clad Ultimate Casement Push Out Casement Bow and Bay

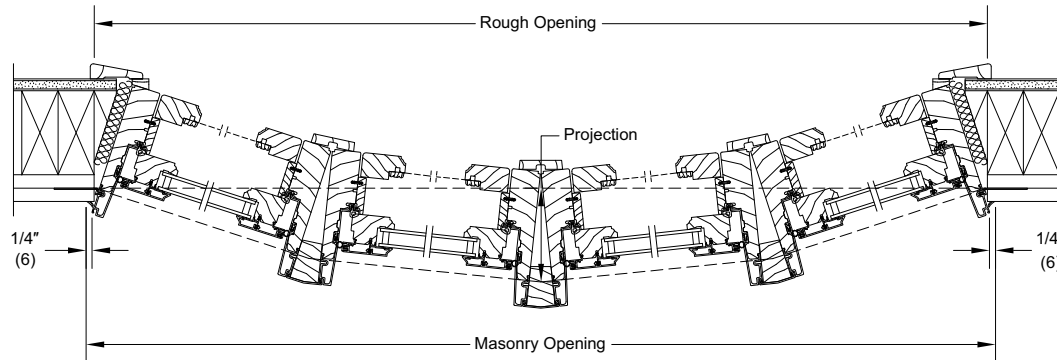
Section Details: Bow

Scale: Not to Scale

Casement - Bow



Push Out Casement - Bow



NOTE: Use of clad casing will change the Rough Opening and Projection. Contact your Marvin representative for further information.

Clad Ultimate Casement Push Out Casement Bow and Bay

Standard Width Call Number: CUCABB and CUPCABB-30° Bay

Call Number (Width)			30° Bay			
Side	Center	Side	RO		Projection	
16	16	16	4-0 21/32	(1236)	0-8 39/64	(219)
16	18	16	4-2 21/32	(1287)	0-8 39/64	(219)
16	20	16	4-4 21/32	(1337)	0-8 39/64	(219)
16	24	16	4-8 21/32	(1439)	0-8 39/64	(219)
16	26	16	4-10 21/32	(1490)	0-8 39/64	(219)
16	28	16	5-0 21/32	(1541)	0-8 39/64	(219)
16	30	16	5-2 21/32	(1591)	0-8 39/64	(219)
16	32	16	5-4 21/32	(1642)	0-8 39/64	(219)
16	36	16	5-8 21/32	(1744)	0-8 39/64	(219)
16	40	16	6-0 21/32	(1845)	0-8 39/64	(219)
16	48	16	6-8 21/32	(2049)	0-8 39/64	(219)
16	56	16	7-4 21/32	(2252)	0-8 39/64	(219)
16	60	16	7-8 21/32	(2353)	0-8 39/64	(219)
16	64	16	8-0 21/32	(2455)	0-8 39/64	(219)
16	72	16	8-8 21/32	(2658)	0-8 39/64	(219)
18	18	18	4-6 7/64	(1375)	0-9 39/64	(244)
18	20	18	4-8 7/64	(1425)	0-9 39/64	(244)
18	24	18	5-0 7/64	(1527)	0-9 39/64	(244)
18	26	18	5-2 7/64	(1578)	0-9 39/64	(244)
18	28	18	5-4 7/64	(1629)	0-9 39/64	(244)
18	30	18	5-6 7/64	(1679)	0-9 39/64	(244)
18	32	18	5-8 7/64	(1730)	0-9 39/64	(244)
18	36	18	6-0 7/64	(1832)	0-9 39/64	(244)
18	40	18	6-4 7/64	(1933)	0-9 39/64	(244)
18	48	18	7-0 7/64	(2137)	0-9 39/64	(244)
18	56	18	7-8 7/64	(2340)	0-9 39/64	(244)
18	60	18	8-0 7/64	(2441)	0-9 39/64	(244)
18	64	18	8-4 7/64	(2543)	0-9 39/64	(244)
18	72	18	9-0 7/64	(2746)	0-9 39/64	(244)
20	20	20	4-11 37/64	(1513)	0-10 39/64	(270)
20	24	20	5-3 37/64	(1615)	0-10 39/64	(270)
20	26	20	5-5 37/64	(1666)	0-10 39/64	(270)
20	28	20	5-7 37/64	(1716)	0-10 39/64	(270)
20	30	20	5-9 37/64	(1767)	0-10 39/64	(270)
20	32	20	5-11 37/64	(1818)	0-10 39/64	(270)
20	36	20	6-3 37/64	(1920)	0-10 39/64	(270)
20	40	20	6-7 37/64	(2021)	0-10 39/64	(270)
20	48	20	7-3 37/64	(2224)	0-10 39/64	(270)
20	56	20	7-11 37/64	(2428)	0-10 39/64	(270)
20	60	20	8-3 37/64	(2529)	0-10 39/64	(270)
20	64	20	8-7 37/64	(2631)	0-10 39/64	(270)
20	72	20	9-3 37/64	(2834)	0-10 39/64	(270)
24	24	24	5-10 1/2	(1791)	1-0 39/64	(320)
24	26	24	6-0 1/2	(1842)	1-0 39/64	(320)
24	28	24	6-2 1/2	(1892)	1-0 39/64	(320)
24	30	24	6-4 1/2	(1943)	1-0 39/64	(320)
24	32	24	6-6 1/2	(1994)	1-0 39/64	(320)
24	36	24	6-10 1/2	(2096)	1-0 39/64	(320)
24	40	24	7-2 1/2	(2197)	1-0 39/64	(320)
24	48	24	7-10 1/2	(2400)	1-0 39/64	(320)
24	56	24	8-6 1/2	(2604)	1-0 39/64	(320)
24	60	24	8-10 1/2	(2705)	1-0 39/64	(320)
24	64	24	9-2 1/2	(2807)	1-0 39/64	(320)
24	72	24	9-10 1/2	(3010)	1-0 39/64	(320)

Call Number (Width)			30° Bay			
Side	Center	Side	RO		Projection	
26	26	26	6-3 31/32	(1930)	1-1 39/64	(346)
26	28	26	6-5 31/32	(1980)	1-1 39/64	(346)
26	30	26	6-7 31/32	(2031)	1-1 39/64	(346)
26	32	26	6-9 31/32	(2082)	1-1 39/64	(346)
26	36	26	7-1 31/32	(2184)	1-1 39/64	(346)
26	40	26	7-5 31/32	(2285)	1-1 39/64	(346)
26	48	26	8-1 31/32	(2488)	1-1 39/64	(346)
26	56	26	8-9 31/32	(2692)	1-1 39/64	(346)
26	60	26	9-1 31/32	(2793)	1-1 39/64	(346)
26	64	26	9-5 31/32	(2895)	1-1 39/64	(346)
26	72	26	10-1 31/32	(3098)	1-1 39/64	(346)
28	28	28	6-9 7/16	(2068)	1-2 39/64	(371)
28	30	28	6-11 7/16	(2119)	1-2 39/64	(371)
28	32	28	7-1 7/16	(2170)	1-2 39/64	(371)
28	36	28	7-5 7/16	(2272)	1-2 39/64	(371)
28	40	28	7-9 7/16	(2373)	1-2 39/64	(371)
28	48	28	8-5 7/16	(2576)	1-2 39/64	(371)
28	56	28	9-1 7/16	(2780)	1-2 39/64	(371)
28	60	28	9-5 7/16	(2881)	1-2 39/64	(371)
28	64	28	9-9 7/16	(2983)	1-2 39/64	(371)
28	72	28	10-5 7/16	(3186)	1-2 39/64	(371)
30	30	30	7-2 57/64	(2207)	1-3 39/64	(397)
30	32	30	7-4 57/64	(2258)	1-3 39/64	(397)
30	36	30	7-8 57/64	(2360)	1-3 39/64	(397)
30	40	30	8-0 57/64	(2461)	1-3 39/64	(397)
30	48	30	8-8 57/64	(2664)	1-3 39/64	(397)
30	56	30	9-4 57/64	(2868)	1-3 39/64	(397)
30	60	30	9-8 57/64	(2969)	1-3 39/64	(397)
30	64	30	10-0 57/64	(3071)	1-3 39/64	(397)
30	72	30	10-8 57/64	(3274)	1-3 39/64	(397)
32	32	32	7-8 23/64	(2346)	1-4 39/64	(422)
32	36	32	8-0 23/64	(2448)	1-4 39/64	(422)
32	40	32	8-4 23/64	(2549)	1-4 39/64	(422)
32	48	32	9-0 23/64	(2752)	1-4 39/64	(422)
32	56	32	9-8 23/64	(2956)	1-4 39/64	(422)
32	60	32	10-0 23/64	(3057)	1-4 39/64	(422)
32	64	32	10-4 23/64	(3159)	1-4 39/64	(422)
32	72	32	11-0 23/64	(3362)	1-4 39/64	(422)
36	36	36	8-7 19/64	(2624)	1-6 39/64	(473)
36	40	36	8-11 19/64	(2725)	1-6 39/64	(473)
36	48	36	9-7 19/64	(2928)	1-6 39/64	(473)
36	56	36	10-3 19/64	(3132)	1-6 39/64	(473)
36	60	36	10-7 19/64	(3233)	1-6 39/64	(473)
36	64	36	10-11 19/64	(3335)	1-6 39/64	(473)
36	72	36	11-7 19/64	(3538)	1-6 39/64	(473)

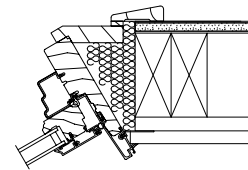
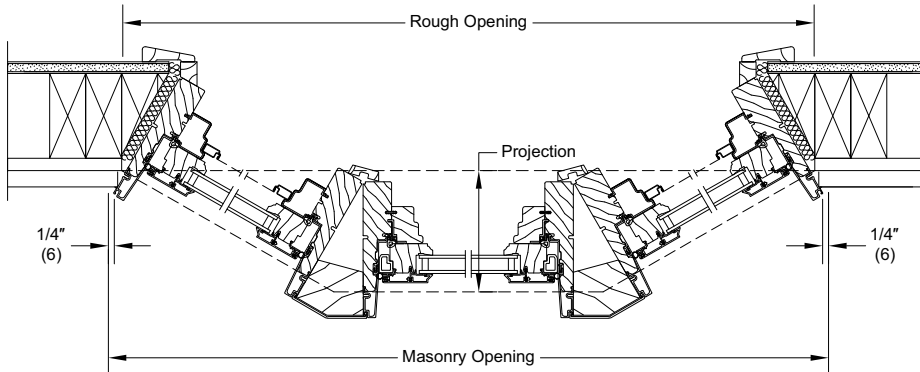
NOTE: Clad BMC or Flat Casing will change Rough Opening and Projection. Contact your Marvin representative.

Clad Ultimate Casement Push Out Casement Bow and Bay

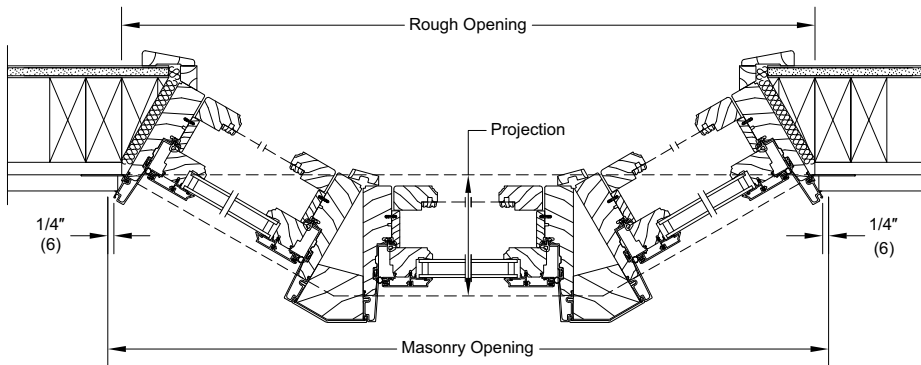
Construction Details / Rough Opening and Projection Calculations: 30° Bay

Scale: Not to Scale

30-Degree Bay - Clad Ultimate Casement



30-Degree Bay - Clad Ultimate Push Out Casement



Optional retro fit bay square jamb return for CUCAPBB.

Clad Ultimate Casement Bay Clad Ultimate Push Out Casement Bay	
30-Degree (no casing)	
Projection	OM width of flanker unit PLUS 1.223 x 0.5
Rough Opening Width	(Projection x 1.732) x 2 PLUS 2.82 PLUS OM width of Center Unit
Masonry Opening Unit	Add 1 7/32" (31) to Rough Opening width
Rough Opening Height (with Head and Seat boards)	OM height on center unit(s) PLUS 1" (25)
Masonry Opening Height (with Head and Seat boards)	Rough Opening height MINUS 1/4" (6)

NOTE: If no head board, Deduct 11/16" (17) from Rough Opening Height

If no seat board, Deduct 11/16" (17) from Rough Opening Height

Clad BMC or Flat Casing will change Rough Opening and Projection. Contact your Marvin representative.

Clad Ultimate Casement Push Out Casement Bow and Bay

Standard Width Call Number: CUCABB and CUPCABB-45° Bay

Call Number (Width)			45° Bay			
Side	Center	Side	RO		Projection	
16	16	16	3-9 21/64	(1151)	1-0 41/64	(321)
16	18	16	3-11 21/64	(1202)	1-0 41/64	(321)
16	20	16	4-1 21/64	(1253)	1-0 41/64	(321)
16	24	16	4-5 21/64	(1355)	1-0 41/64	(321)
16	26	16	4-7 21/64	(1405)	1-0 41/64	(321)
16	28	16	4-9 21/64	(1456)	1-0 41/64	(321)
16	30	16	4-11 21/64	(1507)	1-0 41/64	(321)
16	32	16	5-1 21/64	(1558)	1-0 41/64	(321)
16	36	16	5-5 21/64	(1659)	1-0 41/64	(321)
16	40	16	5-9 21/64	(1761)	1-0 41/64	(321)
16	48	16	6-5 21/64	(1964)	1-0 41/64	(321)
16	56	16	7-1 21/64	(2167)	1-0 41/64	(321)
16	60	16	7-5 21/64	(2269)	1-0 41/64	(321)
16	64	16	7-9 21/64	(2371)	1-0 41/64	(321)
16	72	16	8-5 21/64	(2574)	1-0 41/64	(321)
18	18	18	4-2 5/32	(1274)	1-2 1/16	(357)
18	20	18	4-4 5/32	(1325)	1-2 1/16	(357)
18	24	18	4-8 5/32	(1426)	1-2 1/16	(357)
18	26	18	4-10 5/32	(1477)	1-2 1/16	(357)
18	28	18	5-0 5/32	(1528)	1-2 1/16	(357)
18	30	18	5-2 5/32	(1579)	1-2 1/16	(357)
18	32	18	5-4 5/32	(1630)	1-2 1/16	(357)
18	36	18	5-8 5/32	(1731)	1-2 1/16	(357)
18	40	18	6-0 5/32	(1833)	1-2 1/16	(357)
18	48	18	6-8 5/32	(2036)	1-2 1/16	(357)
18	56	18	7-4 5/32	(2239)	1-2 1/16	(357)
18	60	18	7-8 5/32	(2341)	1-2 1/16	(357)
18	64	18	8-0 5/32	(2442)	1-2 1/16	(357)
18	72	18	8-8 5/32	(2646)	1-2 1/16	(357)
20	20	20	4-6 63/64	(1397)	1-3 15/32	(393)
20	24	20	4-10 63/64	(1498)	1-3 15/32	(393)
20	26	20	5-0 63/64	(1549)	1-3 15/32	(393)
20	28	20	5-2 63/64	(1600)	1-3 15/32	(393)
20	30	20	5-4 63/64	(1651)	1-3 15/32	(393)
20	32	20	5-6 63/64	(1701)	1-3 15/32	(393)
20	36	20	5-10 63/64	(1803)	1-3 15/32	(393)
20	40	20	6-2 63/64	(1905)	1-3 15/32	(393)
20	48	20	6-10 63/64	(2108)	1-3 15/32	(393)
20	56	20	7-6 63/64	(2311)	1-3 15/32	(393)
20	60	20	7-10 63/64	(2413)	1-3 15/32	(393)
20	64	20	8-2 63/64	(2514)	1-3 15/32	(393)
20	72	20	8-10 63/64	(2717)	1-3 15/32	(393)
24	24	24	5-4 41/64	(1642)	1-6 19/64	(465)
24	26	24	5-6 41/64	(1693)	1-6 19/64	(465)
24	28	24	5-8 41/64	(1743)	1-6 19/64	(465)
24	30	24	5-10 41/64	(1794)	1-6 19/64	(465)
24	32	24	6-0 41/64	(1845)	1-6 19/64	(465)
24	36	24	6-4 41/64	(1947)	1-6 19/64	(465)
24	40	24	6-8 41/64	(2048)	1-6 19/64	(465)
24	48	24	7-4 41/64	(2251)	1-6 19/64	(465)
24	56	24	8-0 41/64	(2455)	1-6 19/64	(465)
24	60	24	8-4 41/64	(2556)	1-6 19/64	(465)
24	64	24	8-8 41/64	(2658)	1-6 19/64	(465)
24	72	24	9-4 41/64	(2861)	1-6 19/64	(465)

Call Number (Width)			45° Bay			
Side	Center	Side	RO		Projection	
26	26	26	5-9 15/32	(1764)	1-7 23/32	(501)
26	28	26	5-11 15/32	(1815)	1-7 23/32	(501)
26	30	26	6-1 15/32	(1866)	1-7 23/32	(501)
26	32	26	6-3 15/32	(1917)	1-7 23/32	(501)
26	36	26	6-7 15/32	(2018)	1-7 23/32	(501)
26	40	26	6-11 15/32	(2120)	1-7 23/32	(501)
26	48	26	7-7 15/32	(2323)	1-7 23/32	(501)
26	56	26	8-3 15/32	(2526)	1-7 23/32	(501)
26	60	26	8-7 15/32	(2628)	1-7 23/32	(501)
26	64	26	8-11 15/32	(2730)	1-7 23/32	(501)
26	72	26	9-7 15/32	(2933)	1-7 23/32	(501)
28	28	28	6-2 19/64	(1887)	1-9 1/8	(537)
28	30	28	6-4 19/64	(1938)	1-9 1/8	(537)
28	32	28	6-6 19/64	(1989)	1-9 1/8	(537)
28	36	28	6-10 19/64	(2090)	1-9 1/8	(537)
28	40	28	7-2 19/64	(2192)	1-9 1/8	(537)
28	48	28	7-10 19/64	(2395)	1-9 1/8	(537)
28	56	28	8-6 19/64	(2598)	1-9 1/8	(537)
28	60	28	8-10 19/64	(2700)	1-9 1/8	(537)
28	64	28	9-2 19/64	(2802)	1-9 1/8	(537)
28	72	28	9-10 19/64	(3005)	1-9 1/8	(537)
30	30	30	6-7 1/8	(2010)	1-10 35/64	(573)
30	32	30	6-9 1/8	(2061)	1-10 35/64	(573)
30	36	30	7-1 1/8	(2162)	1-10 35/64	(573)
30	40	30	7-5 1/8	(2264)	1-10 35/64	(573)
30	48	30	8-1 1/8	(2467)	1-10 35/64	(573)
30	56	30	8-9 1/8	(2670)	1-10 35/64	(573)
30	60	30	9-1 1/8	(2772)	1-10 35/64	(573)
30	64	30	9-5 1/8	(2873)	1-10 35/64	(573)
30	72	30	10-1 1/8	(3077)	1-10 35/64	(573)
32	32	32	6-11 61/64	(2132)	1-11 61/64	(609)
32	36	32	7-3 61/64	(2234)	1-11 61/64	(609)
32	40	32	7-7 61/64	(2336)	1-11 61/64	(609)
32	48	32	8-3 61/64	(2539)	1-11 61/64	(609)
32	56	32	8-11 61/64	(2742)	1-11 61/64	(609)
32	60	32	9-3 61/64	(2844)	1-11 61/64	(609)
32	64	32	9-7 61/64	(2945)	1-11 61/64	(609)
32	72	32	10-3 61/64	(3148)	1-11 61/64	(609)
36	36	36	7-9 39/64	(2378)	2-2 25/32	(680)
36	40	36	8-1 39/64	(2479)	2-2 25/32	(680)
36	48	36	8-9 39/64	(2682)	2-2 25/32	(680)
36	56	36	9-5 39/64	(2886)	2-2 25/32	(680)
36	60	36	9-9 39/64	(2987)	2-2 25/32	(680)
36	64	36	10-1 39/64	(3089)	2-2 25/32	(680)
36	72	36	10-9 39/64	(3292)	2-2 25/32	(680)

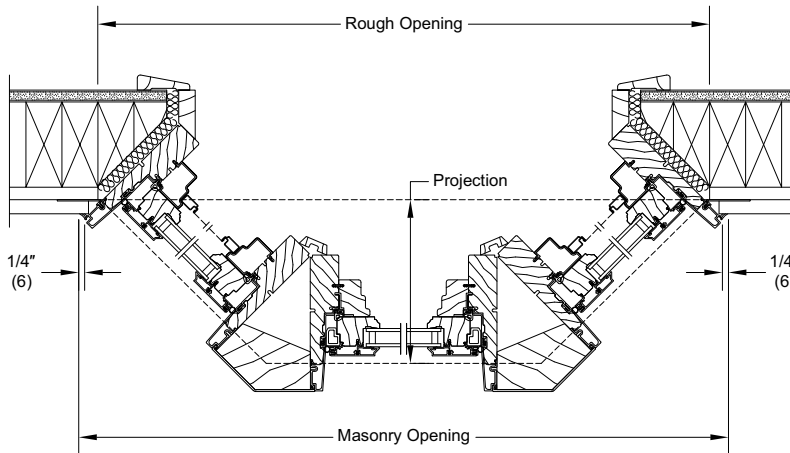
NOTE: Clad BMC or Flat Casing will change Rough Opening and Projection. Contact your Marvin representative.

Clad Ultimate Casement Push Out Casement Bow and Bay

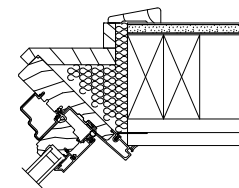
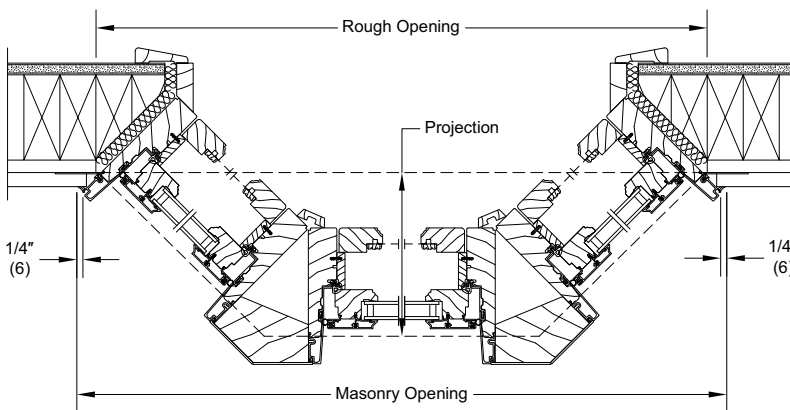
Construction Details / Rough Opening and Projection Calculations: 45° Bay

Scale: Not to Scale

45-Degree Bay - Clad Ultimate Casement



45-Degree Bay - Clad Ultimate Push Out Casement



Optional retro fit bay square jamb return for CUPCA Bay.

Clad Ultimate Casement Bay Clad Ultimate Push Out Casement Bay	
45-Degree (no casing)	
Projection	OM width of flanker unit PLUS 1.89 x 0.707
Rough Opening Width	Projection x 2 Plus 4.03 Plus OM width of Center Unit
Masonry Opening Width	Add 1 13/16" (46) to Rough Opening width
Rough Opening Height (with Head and Seat Boards)	OM height on center unit(s) Plus 1 7/8" (48)
Masonry Opening Height (with Head and Seat Boards)	Rough Opening height Minus 1/4" (6)

NOTE: If no head board, Deduct 11/16" (17) from Rough Opening Height

If no seat board, Deduct 11/16" (17) from Rough Opening Height

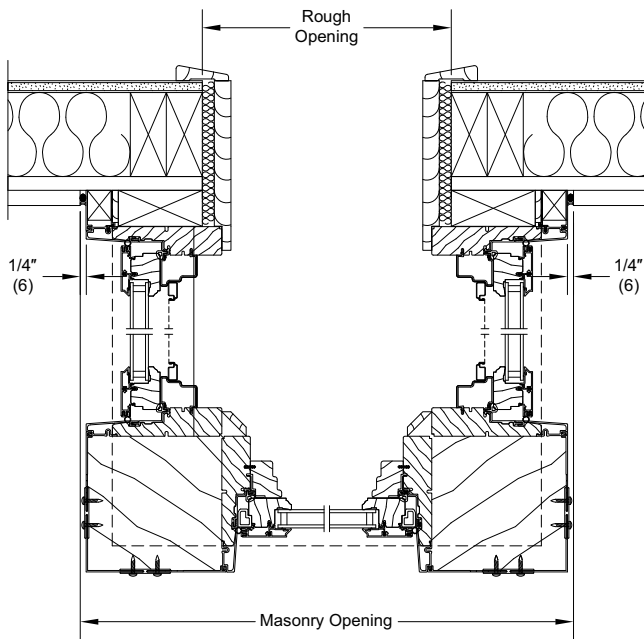
Clad BMC or Flat Casing will change Rough Opening and Projection. Contact your Marvin representative.

Clad Ultimate Casement Push Out Casement Bow and Bay

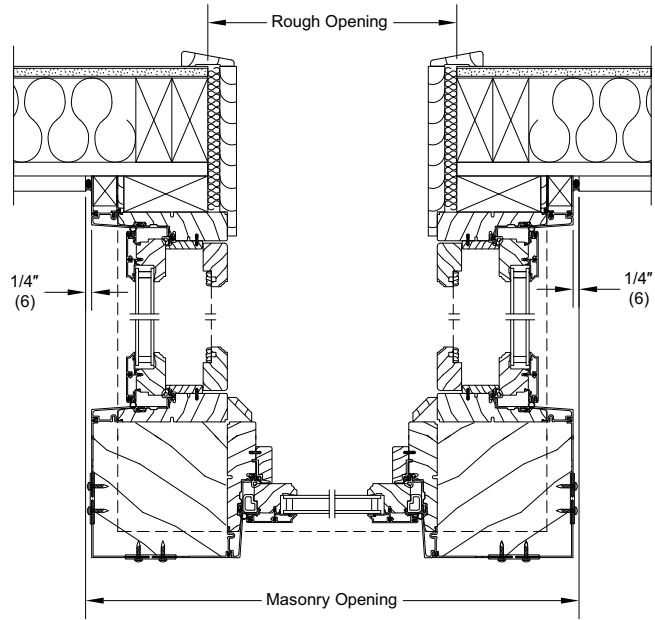
Construction Details / Rough Opening and Projection Calculations: 90° Bay

Scale: Not to Scale

90-Degree Bay - Clad Ultimate Casement



90-Degree Bay - Clad Ultimate Push Out Casement



Clad Ultimate Casement Bay Clad Ultimate Push Out Casement Bay	
90-Degree (no casing)	
Projection	OM width of flanker unit PLUS 6 1/16" (154)
Rough Opening Width	OM width of Center Unit(s) PLUS 1 5/8" (41)
Masonry Opening Unit	Add 10 3/16" (259) to Rough Opening width
Rough Opening Height (with Head and Seat boards)	OM height on center unit(s) PLUS 1 7/8" (48)
Masonry Opening Height (with Head and Seat boards)	Rough Opening height MINUS 1/4" (6)

NOTE: If no head board, Deduct 11/16" (17) from Rough Opening Height

If no seat board, Deduct 11/16" (17) from Rough Opening Height

Clad BMC or Flat Casing will change Rough Opening and Projection. Contact your Marvin representative.