

2 1/4" Clad Swinging French Doors

Standard Unit Measurements.....	1
Inswing and Outswing Certified Sizes and Ratings.....	2
Minimum and Maximum Guidelines: Doors and Interior Shades.....	3
Measurement Conversions.....	4
Net Clear Openings: Inswing.....	5
Net Clear Openings: Outswing.....	6
Net Clear Openings: Outswing w/ Interior Shade.....	7
Inswing Section Details: Operating.....	8
Inswing Section Details: Stationary and Sidelite.....	9
Inswing Section Details: Panel Configurations.....	10
Inswing Section Details: Ultimate Swinging Screen.....	11
Inswing Section Details: Casing Options.....	12
Inswing Section Details: Flat Panel Placement.....	13
Inswing Section Details: Raised Panel Placement.....	14
Inswing Section Details: Interior Shade.....	15
Outswing Section Details: Operating.....	16
Outswing Section Details: StormPlus IZ3 / IZ4.....	17
Outswing Section Details: Stationary and Sidelite.....	18
Outswing Section Details: Panel Configurations.....	19
Outswing Section Details: Clad Casing Options.....	20
Outswing Section Details: Flat Panel Placement.....	21
Outswing Section Details: Raised Panel Placement.....	22
Outswing Section Details: Interior Shade.....	23

Standard Unit Measurements

Standard Inswing and Outswing Unit Measurements													
Width													
Unit Type	Call Number	Masonry Opening		Rough Opening		Frame Size		Panel OM		Daylight Opening		Glass Size	
		ft - in	mm	ft - in	mm	ft - in	mm	ft-in	mm	ft - in	mm	ft-in	mm
1 Panel	2-6	2-7 15/16	(811)	2-8 7/16	(824)	2-7 7/16	(799)	2-5 1/16	(738)	1-5 3/32	(434)	1-6 13/32	(468)
	2-8	2-9 15/16	(862)	2-10 7/16	(875)	2-9 7/16	(849)	2-7 1/16	(789)	1-7 3/32	(485)	1-8 13/32	(518)
	3-0	3-1 15/16	(964)	3-2 7/16	(976)	3-1 7/16	(951)	2-11 1/16	(891)	1-11 3/32	(587)	2-0 13/32	(620)
2 Panel	5-0	5-1 1/8	(1553)	5-1 5/8	(1565)	5-0 5/8	(1540)	2-5 1/16	(738)	1-5 3/32	(434)	1-6 13/32	(468)
	5-4	5-5 1/8	(1654)	5-5 5/8	(1667)	5-4 5/8	(1641)	2-7 1/16	(789)	1-7 3/32	(485)	1-8 13/32	(518)
	6-0	6-1 1/8	(1857)	6-1 5/8	(1870)	6-0 5/8	(1845)	2-11 1/16	(891)	1-11 3/32	(587)	2-0 13/32	(620)
Height													
Unit Type	Call Number	Masonry Opening		Rough Opening		Frame Size		Panel OM		Daylight Opening		Glass Size	
		ft - in	mm	ft - in	mm	ft - in	mm	ft-in	mm	ft - in	mm	ft - in	mm
All Configurations	8-0	7-11 3/4	(2432)	8-0	(2438)	7-11 1/2	(2426)	7-8 1/2	(2350)	6-6 3/8	(1991)	6-7 11/16	(2024)
	10-0	9-11 3/4	(3042)	10-0	(3048)	9-11 1/2	(3035)	9-8 1/2	(2959)	8-6 3/8	(2600)	8-7 11/16	(2634)

2 1/4" Clad Swinging French Doors

Inswing and Outswing Certified Sizes and Ratings

Inswing Doors

Product	Air Tested to psf	Water Tested to psf	Structural Tested to psf	Certification Testing	Design Pressure (DP)	Overall Width		Overall Height		# of Panels
						in	mm	in	mm	
Clad 2 1/4" Inswing French Door 30100 (O)	1.57	8.25	82.5	LC-PG55-FD	55	37 1/2	(953)	119 1/2	(3035)	1
Clad 2 1/4" Inswing French Door 60100 (XX)	1.57	8.25	82.5	LC-PG55-FD	55	72 5/8	(1845)	119 1/2	(3035)	2
Clad 2 1/4" Inswing French Door StormPlus IZ3 30100 (O)	1.57	8.25	+82.5/-97.5	LC-PG55-FD	+55/-65	37 1/2	(953)	119 1/2	(3035)	1
Clad 2 1/4" Inswing French Door StormPlus IZ3 60100 (XX)	1.57	8.25	+82.5/-97.5	LC-PG55-FD	+55/-65	72 5/8	(1845)	119 1/2	(3035)	2

Outswing Doors

Product	Air Tested to psf	Water Tested to psf	Structural Tested to psf	Certification Rating	Design Pressure (DP)	Overall Width		Overall Height		# of Panels
						in	mm	in	mm	
Clad 2 1/4" Outswing French Door 30100 (O)	1.57	8.25	82.5	LC-PG55-FD	55	37 1/2	(953)	119 1/2	(3035)	1
Clad 2 1/4" Outswing French Door 60100 (XX)	1.57	8.25	82.5	LC-PG55-SHD	55	72 5/8	(1845)	119 1/2	(3035)	2
Clad 2 1/4" Outswing French Door StormPlus IZ3 30100 (O)	1.57	8.25	+82.5/-97.5	LC-PG55-FD	+55/-65	37 1/2	(953)	119 1/2	(3035)	1
Clad 2 1/4" Outswing French Door StormPlus IZ3 60100 (XX)	1.57	8.25	+82.5/-97.5	LC-PG55-SHD	+55/-65	72 5/8	(1845)	119 1/2	(3035)	2
Clad 2 1/4" Outswing French Door StormPlus IZ4 30100 (O)	1.57	9.75	+97.5/-102.5	LC-PG65-SHD	+65/-70	37 1/2	(953)	119 1/2	(3035)	1
Clad 2 1/4" Outswing French Door StormPlus IZ4 60100 (XX)	1.57	9.75	+97.5/-102.5	LC-PG65-FD	+65/-70	72 5/8	(1845)	119 1/2	(3035)	2

NOTE: Maximum height for IZ3 and IZ4 Doors with Low E1, ERS, ELR, Special SDLS, GBG is 115 7/8" (2966).

For CE ratings, please refer to CE Performance chapter.

2 1/4" Clad Swinging French Doors

Minimum and Maximum Guidelines: Doors and Interior Shades

Door Minimum and Maximum Frame Size - Certified								
Unit Configurations	Min Width		Min Height		Max Width		Max Height	
	in	mm	in	mm	in	mm	in	mm
1 - Panel Stationary	20 5/16	(516)	25 1/8	(638)	37 7/16	(951)	119 1/2	(3035)
1 - Panel Operator	20 5/16	(516)	70 5/16	(1786)	37 7/16	(951)	119 1/2	(3035)
2 - Panel Operator	38 3/8	(975)	70 5/16	(1786)	72 5/8	(1845)	119 1/2	(3035)

Interior Shade Minimum and Maximum Daylight Opening								
Unit Type	Min DLO				Max DLO			
	Width		Height		Width		Height	
	in	mm	in	mm	in	mm	in	mm
Door Panel	11 1/2	(292)	8	(203)	72 25/32	(1849)	102 3/8	(2600)

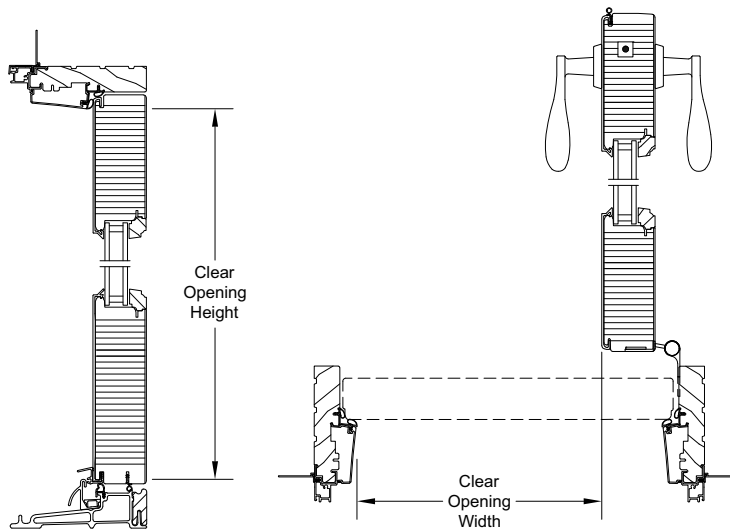
Door Minimum and Maximum Frame Size - Extended Sizes				
Unit Configurations	Max Width		Max Height	
	in	mm	in	mm
1 - Panel Stationary	57 3/8	(1457)	119 1/2	(3035)
1 - Panel Operator	50 3/8	(1280)	119 1/2	(3035)
2 - Panel Operator	98 1/2	(2502)	119 1/2	(3035)

Measurement Conversions

Unit Measurements		Width			Height	
From	To	in	mm		in	mm
Rough Opening		in	mm		in	mm
OM of Frame	Rough Opening	+ 1	(25)		+ 1/2	(13)
Masonry Opening	Rough Opening	+ 1/2	(13)		+ 1/4	(06)
Masonry Opening w/BMC	Rough Opening	-2 1/8	(54)		-1 1/16	(27)
Masonry Opening w/Flat Casing	Rough Opening	-5 1/2	(140)		-2 3/4	(70)
Operating Panel		in	mm		in	mm
OM of Frame	OM of Panel (x1)	-2 3/8	(60)		-3	(76)
OM of Frame	OM of Panel (x2)	-2 1/2	(64)	÷ 2	-3	(76)
Daylight Opening	OM of Panel	+ 11 31/32	(304)		+ 14 1/8	(359)
Glass		in	mm		in	mm
Daylight Opening	Glass	+ 1 5/16	(33)		+ 1 5/16	(33)
Interior Shade		in	mm		in	mm
Daylight Opening	Surround Size	+ 2 3/4	(70)		+ 2 15/16	(75)

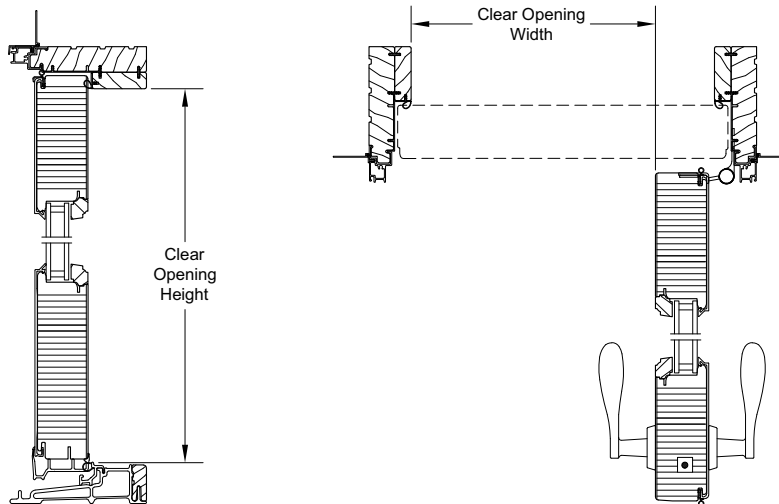
Net Clear Openings: Inswing

Net Clear Opening 2 1/4" Outswing French Door			
Width			
Unit Type	Call Number	Net Clear Openings	
		ft-in	mm
1 Panel Operator	2-6	2-1 15/32	(647)
	2-8	2-3 15/32	(698)
	3-0	2-7 15/32	(799)
2 Panel Operator	5-0	4-4 3/16	(1325)
	5-4	4-8 3/16	(1427)
	6-0	5-4 3/16	(1630)
Height			
Unit Type	Call Number	Net Clear Openings	
		ft - in	mm
All Configurations	8-0	7-8 1/8	(2340)
	10-0	9-8 1/8	(2950)



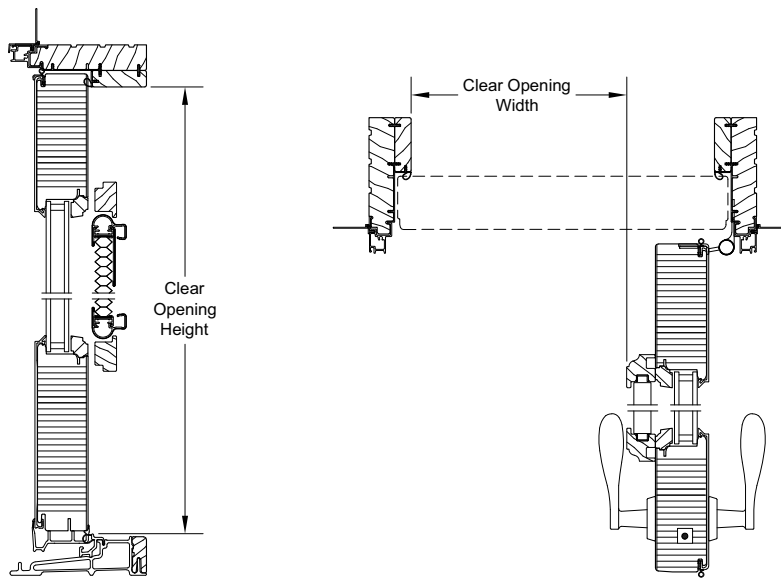
Net Clear Openings: Outswing

Net Clear Opening 2 1/4" Outswing French Door			
Width			
Unit Type	Call Number	Net Clear Openings	
		ft-in	mm
1 Panel Operator with Interior Shade	2-6	2-0 9/32	(617)
	2-8	2-2 9/32	(667)
	3-0	2-6 9/32	(769)
2 Panel Operator with Interior Shade	5-0	4-1 13/16	(1265)
	5-4	4-5 13/16	(1367)
	6-0	5-1 13/16	(1570)
Height			
Unit Type	Call Number	Net Clear Openings	
		ft - in	mm
All Configurations	8-0	7-8 1/8	(2340)
	10-0	9-8 1/8	(2950)



Net Clear Openings: Outswing w/ Interior Shade

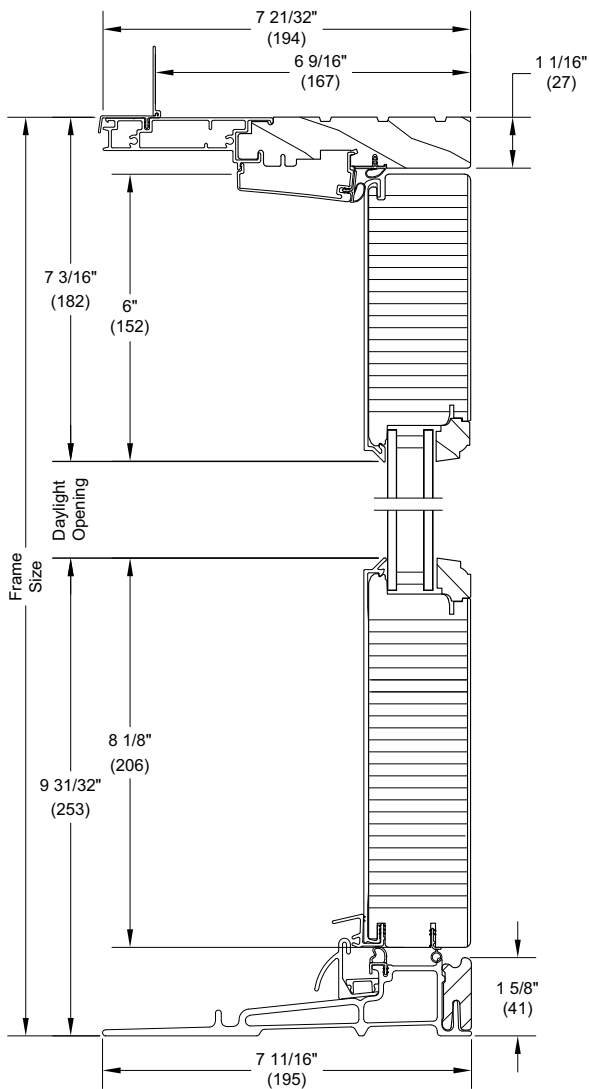
Net Clear Opening 2 1/4" Inswing French Door			
Width			
Unit Type	Call Number	Net Clear Openings	
		ft-in	mm
1 Panel Operator	2-6	2-1 15/32	(647)
	2-8	2-3 15/32	(698)
	3-0	2-7 15/32	(799)
2 Panel Operator	5-0	4-4 3/16	(1325)
	5-4	4-8 3/16	(1427)
	6-0	5-4 3/16	(1630)
Height			
Unit Type	Call Number	Net Clear Openings	
		ft - in	mm
All Configurations	8-0	7-7 23/32	(2329)
	10-0	9-7 23/32	(2939)



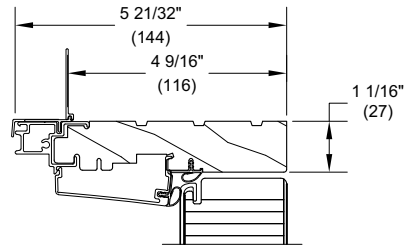
2 1/4" Clad Swinging French Doors

Inswing Section Details: Operating

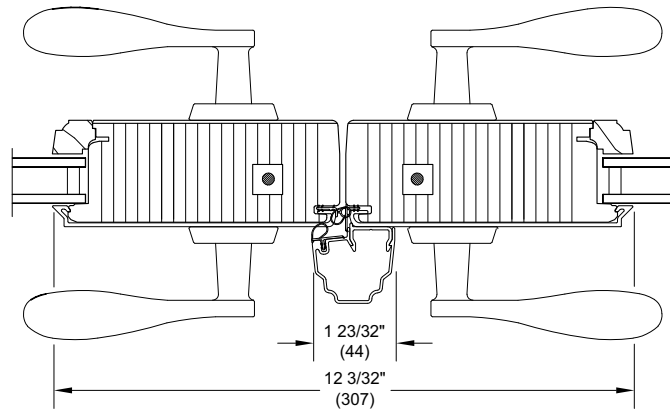
Scale: 3" = 1' 0"



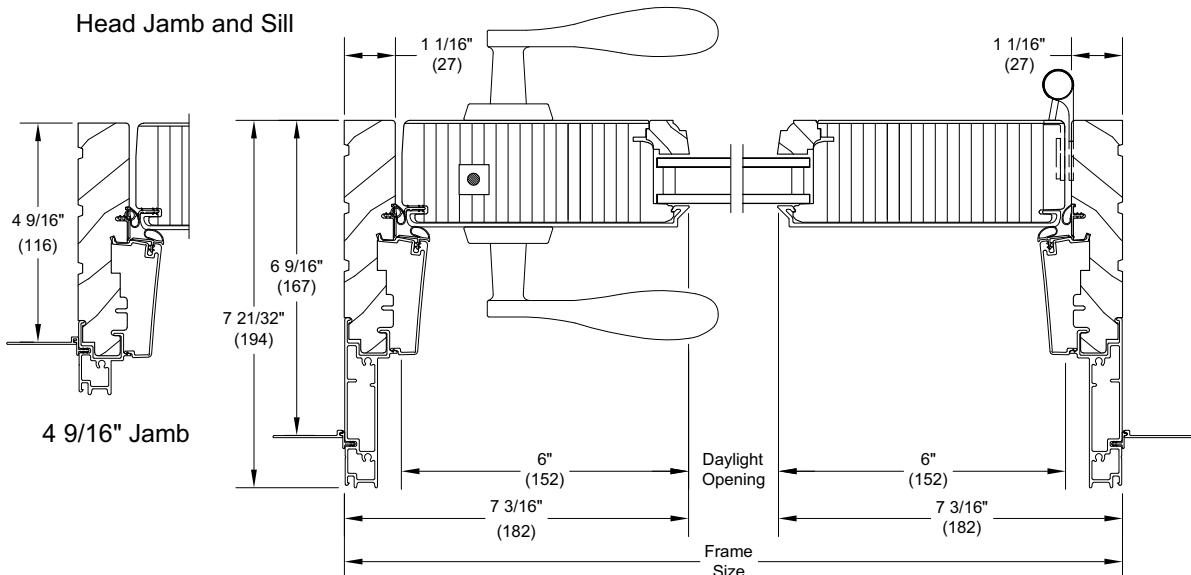
Head Jamb and Sill



4 9/16" Head Jamb



XX L Meeting Stiles



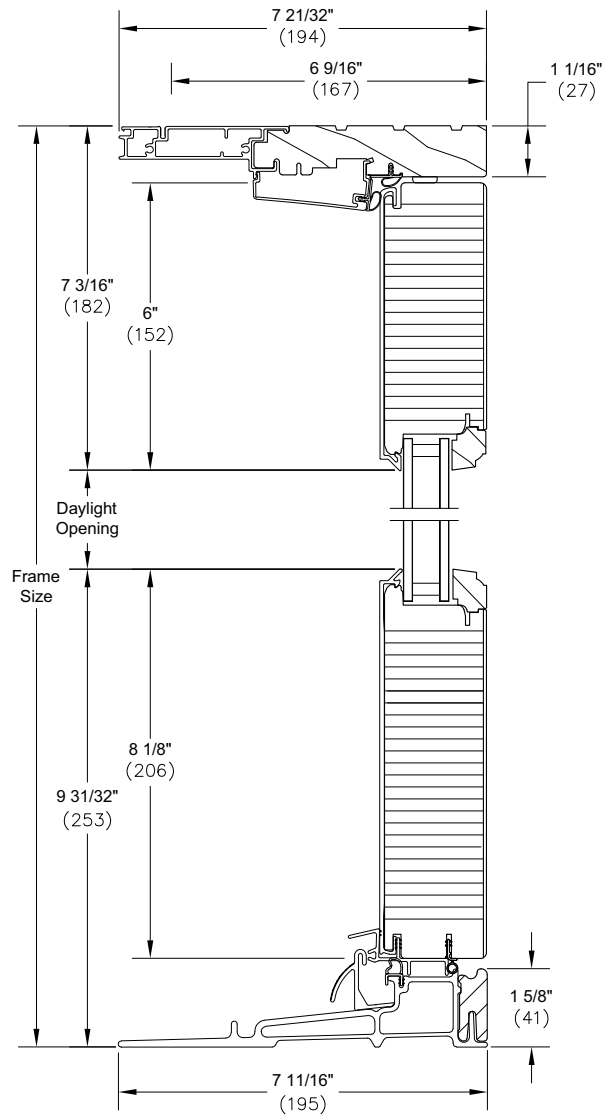
X R Jamb

NOTE: Square sticking is the default for the contemporary product.

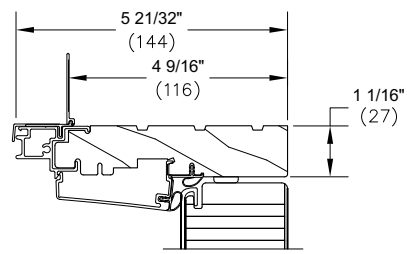
2 1/4" Clad Swinging French Doors

Inswing Section Details: Stationary and Sidelite

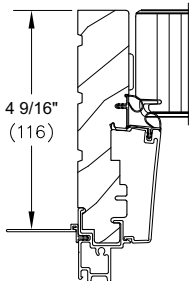
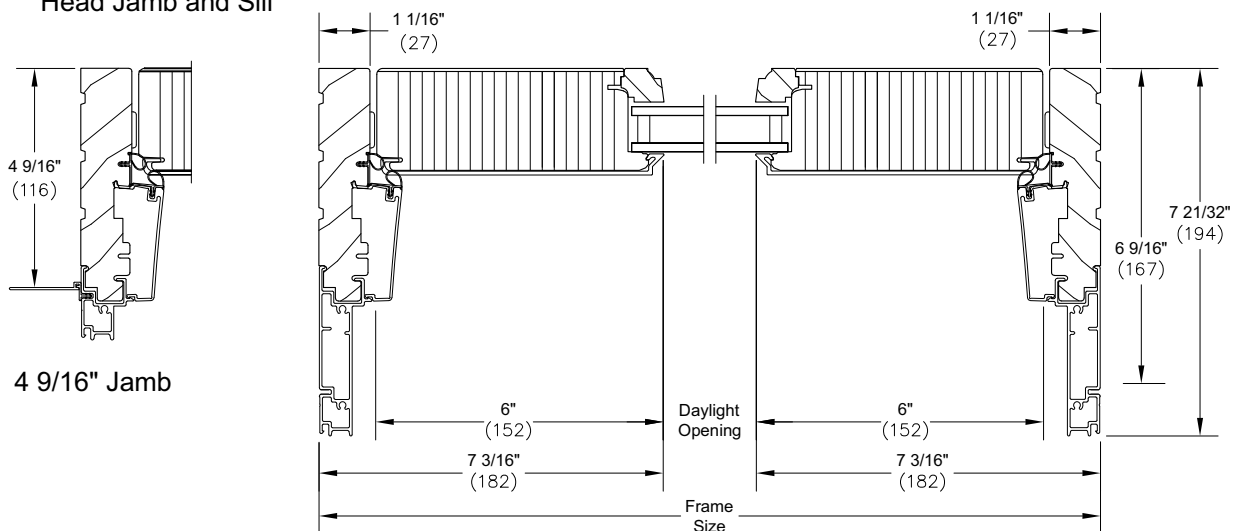
Scale: 3" = 1' 0"



Head Jamb and Sill



4 9/16" Head Jamb

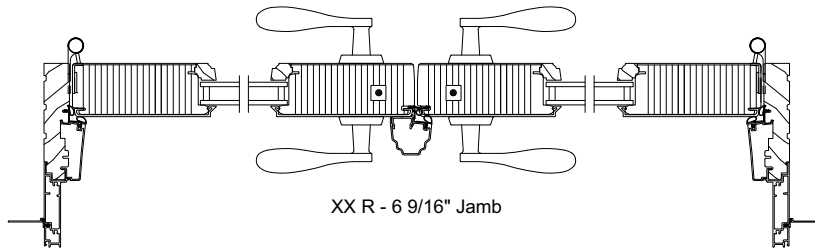
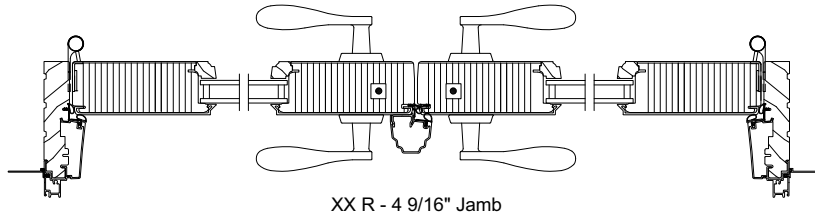


4 9/16" Jamb

O - Jamb

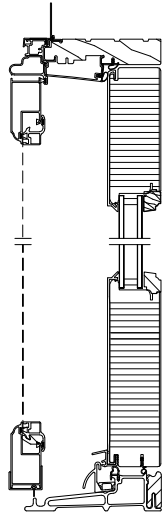
2 1/4" Clad Swinging French Doors

Inswing Section Details: Panel Configurations

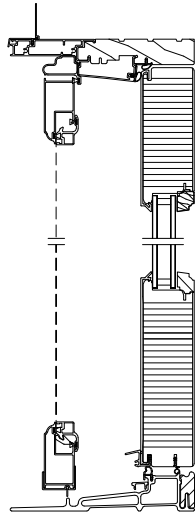


2 1/4" Clad Swinging French Doors

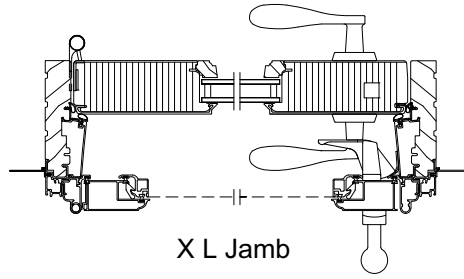
Inswing Section Details: Ultimate Swinging Screen



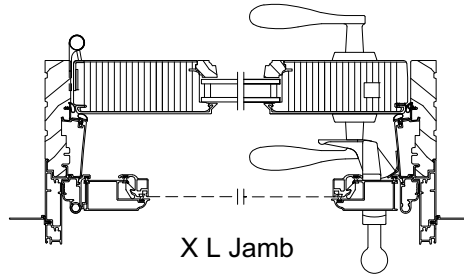
4 9/16" Head
Jamb and Sill



6 9/16" Head
Jamb and Sill



X L Jamb

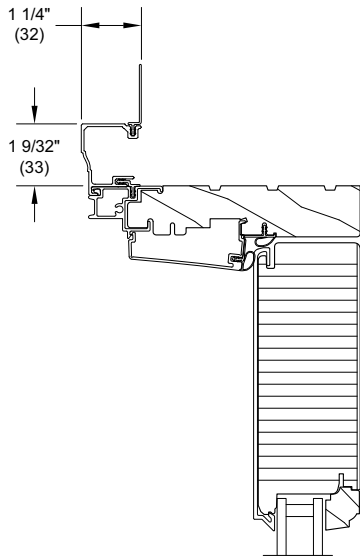


X L Jamb

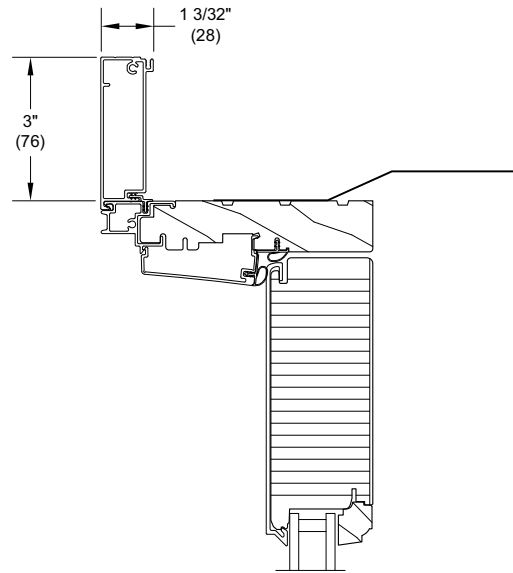
2 1/4" Clad Swinging French Doors

Inswing Section Details: Casing Options

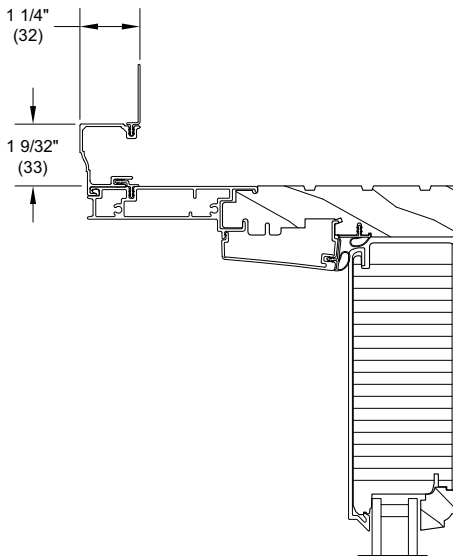
Scale: 3" = 1' 0"



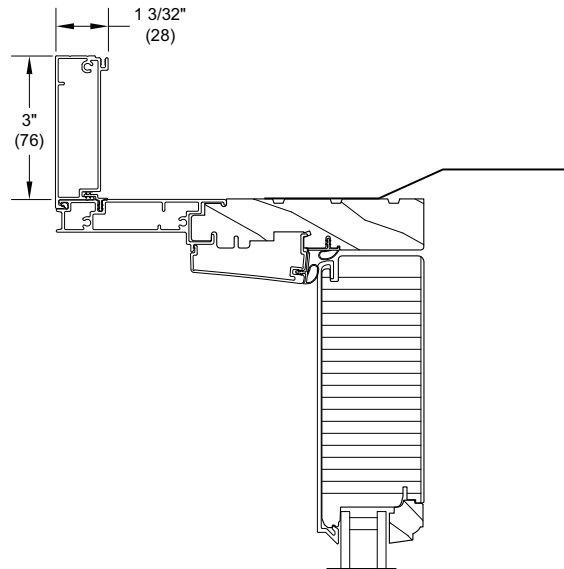
4 9/16" Head Jamb with
Clad Brick Mould Casing



4 9/16" Head Jamb with
Clad Flat Casing



6 9/16" Head Jamb with
Clad Brick Mould Casing

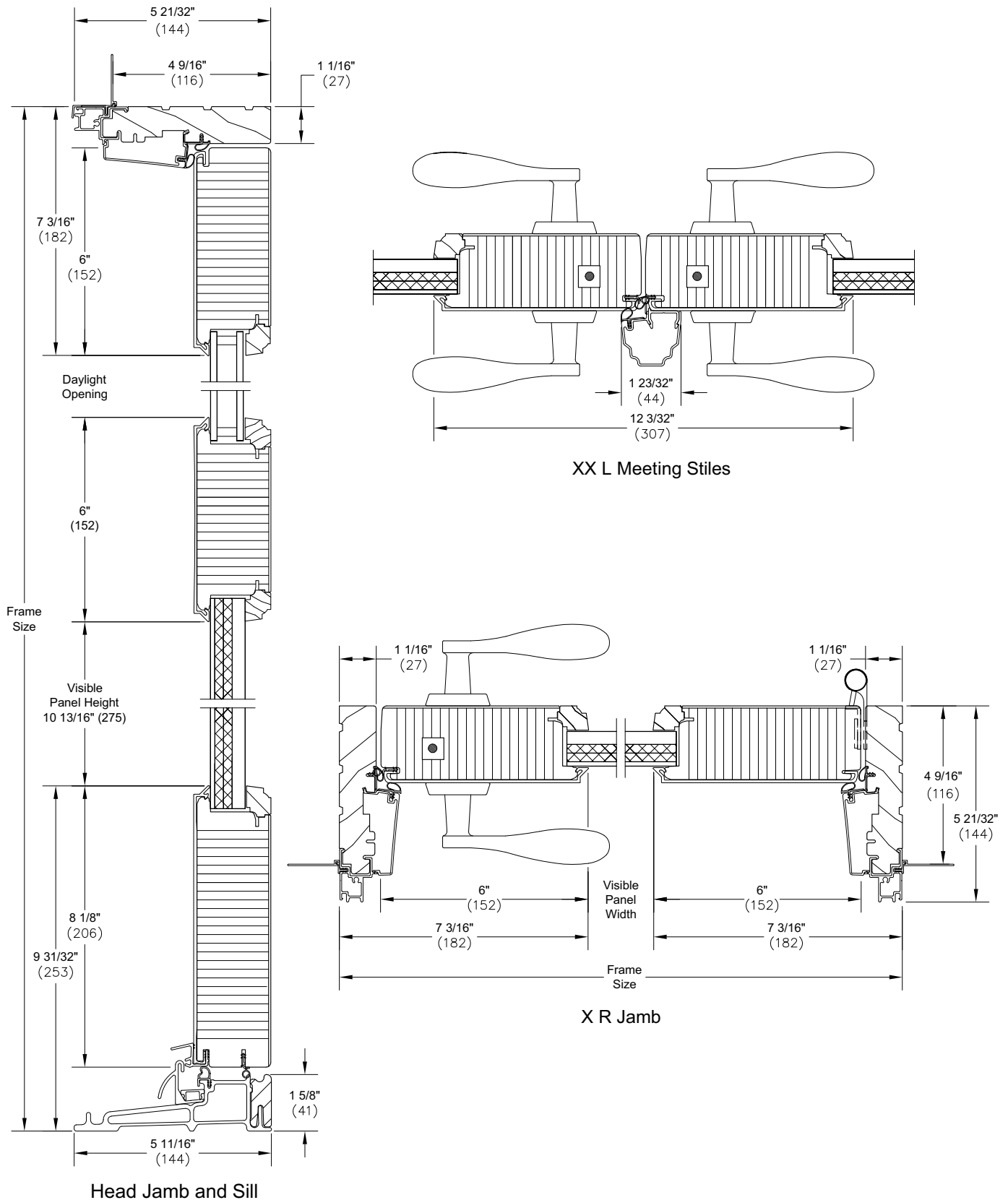


6 9/16" Head Jamb with
Clad Flat Casing

2 1/4" Clad Swinging French Doors

Inswing Section Details: Flat Panel Placement

Scale: 3" = 1' 0"

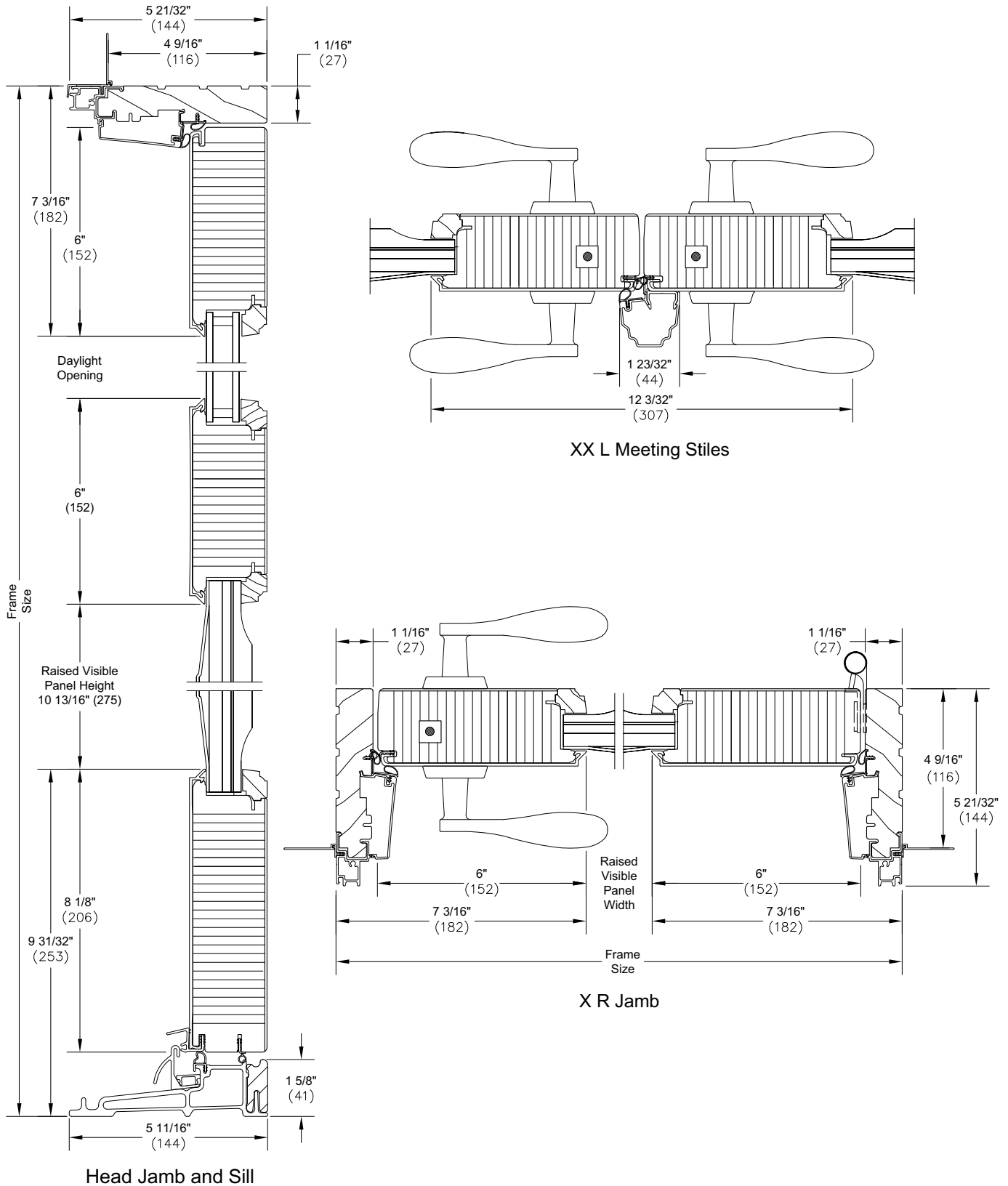


NOTE: 2 1/4" Clad Inswing French Door with flat panels not available with CE mark.

2 1/4" Clad Swinging French Doors

Inswing Section Details: Raised Panel Placement

Scale: 3" = 1' 0"

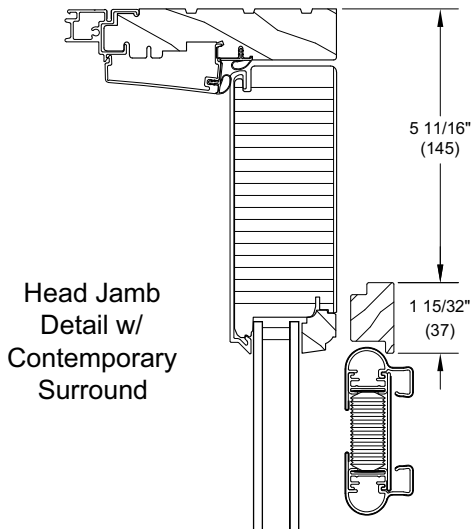
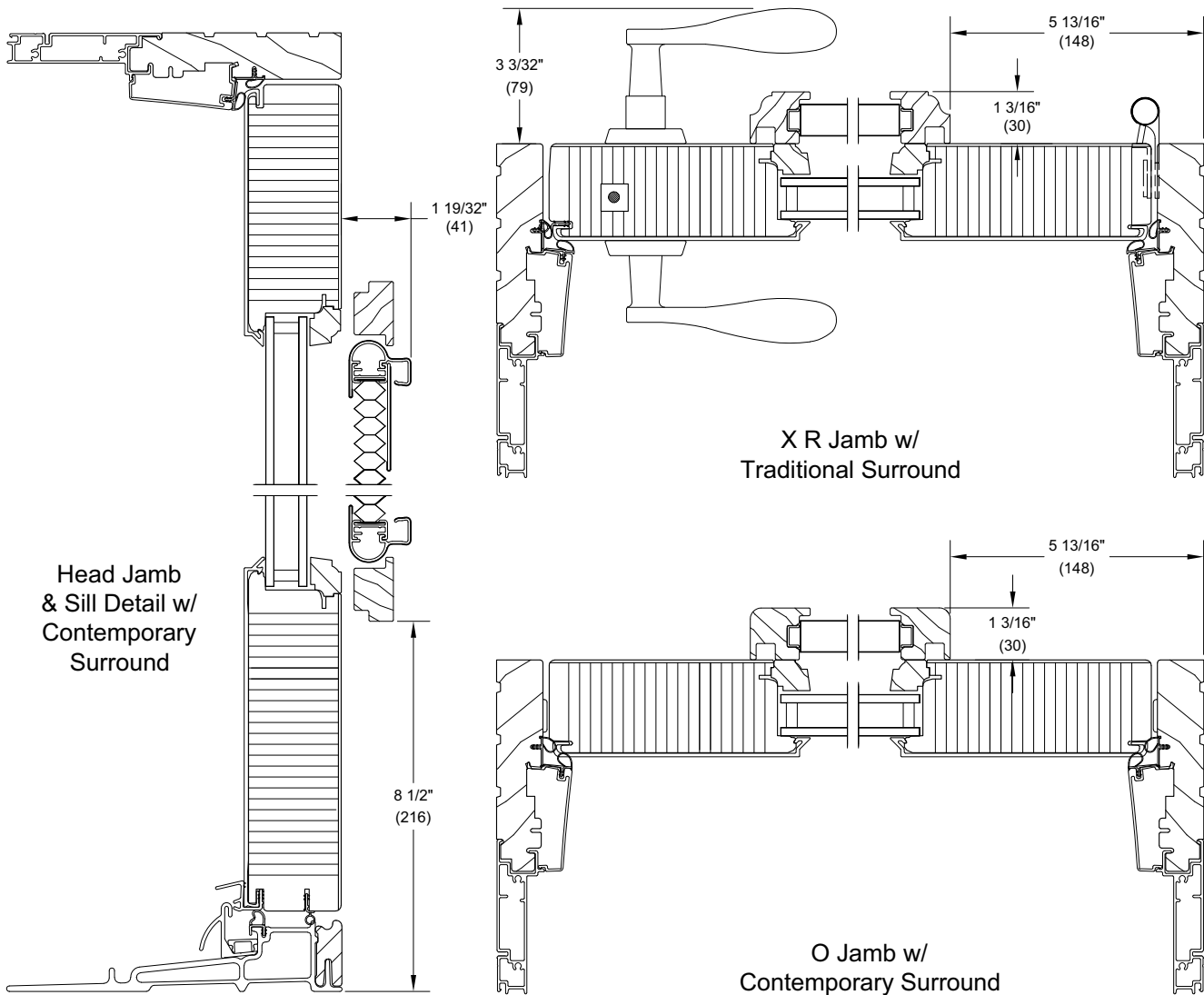


NOTE: 2 1/4" Clad Inswing French Door with raised panels not available with CE mark.

2 1/4" Clad Swinging French Doors

Inswing Section Details: Interior Shade

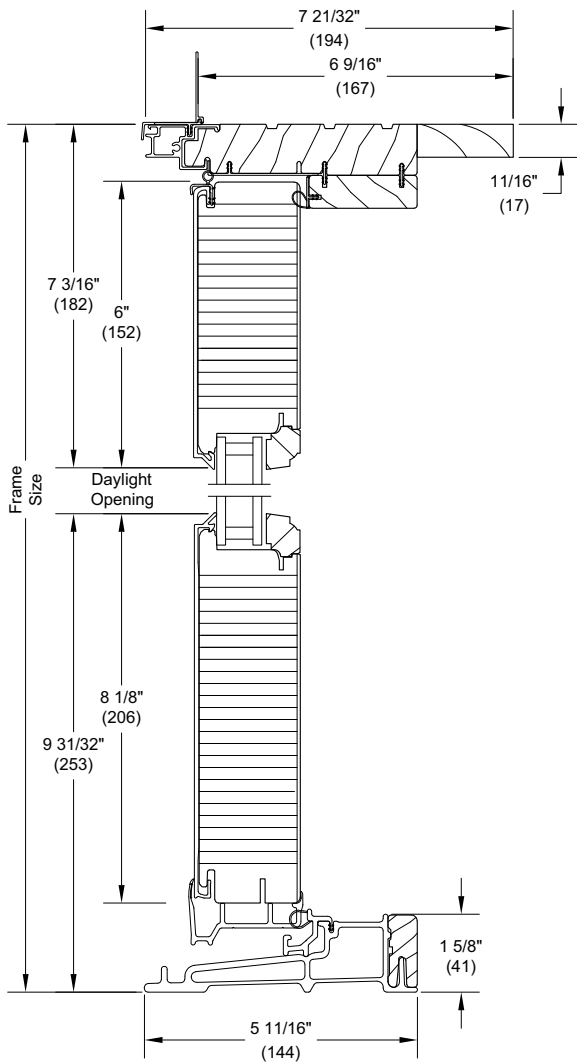
Scale: 3" = 1' 0"



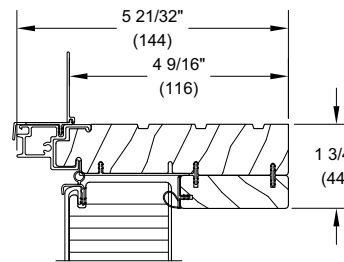
2 1/4" Clad Swinging French Doors

Outswing Section Details: Operating

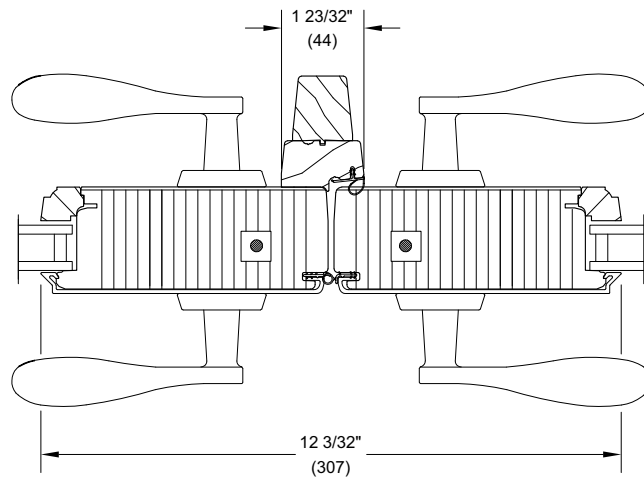
Scale: 3" = 1' 0"



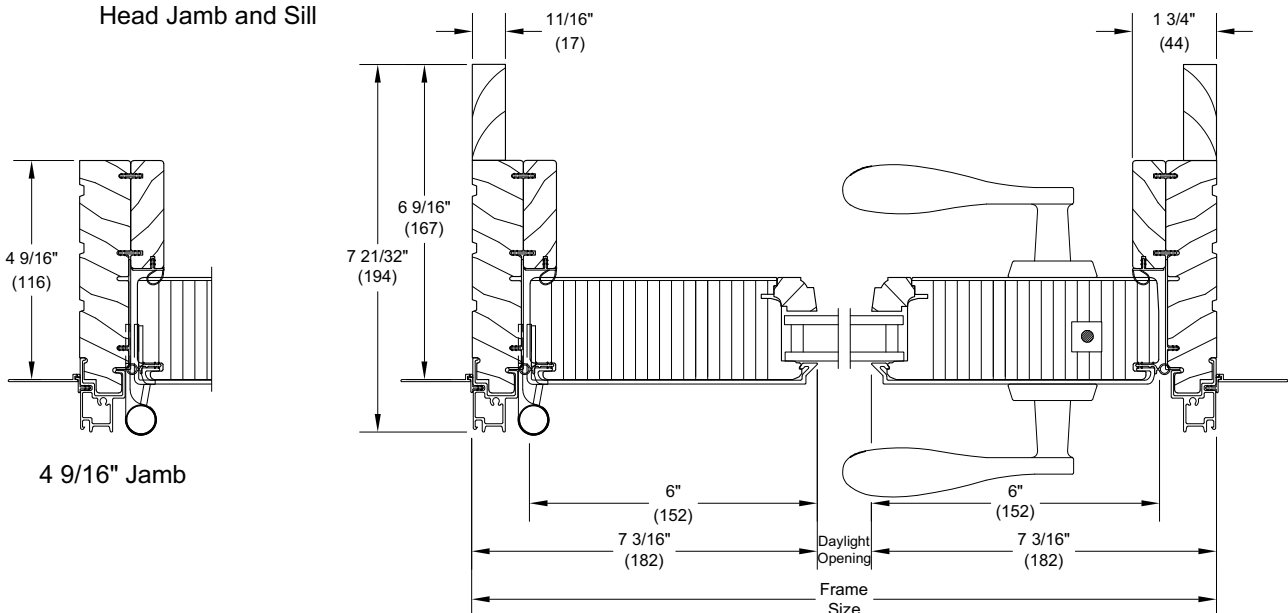
Head Jamb and Sill



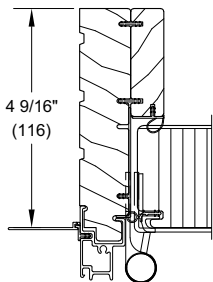
4 9/16" Head Jamb



XX L - Meeting Stiles



X R - Jamb

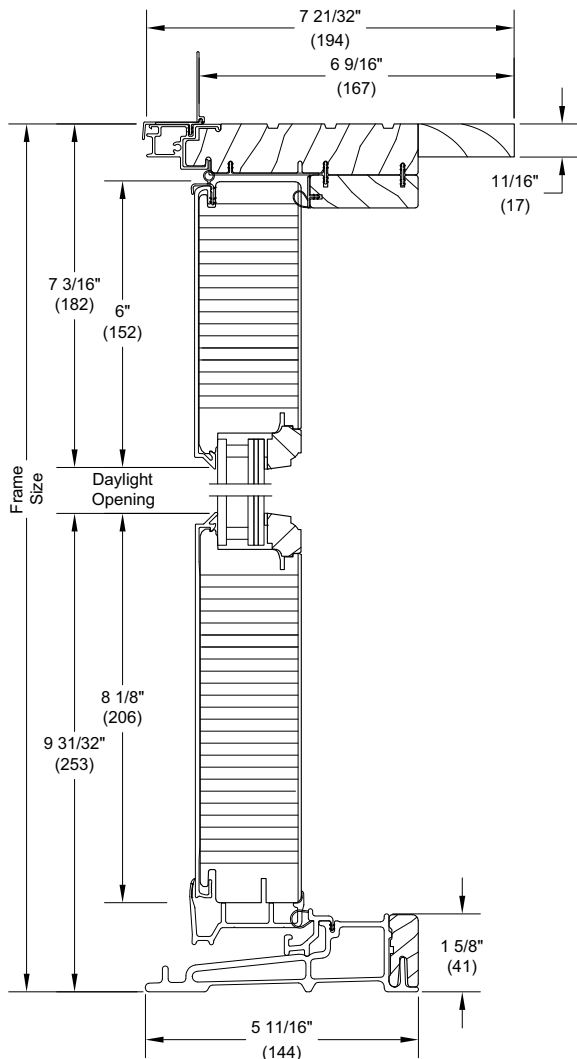


4 9/16" Jamb

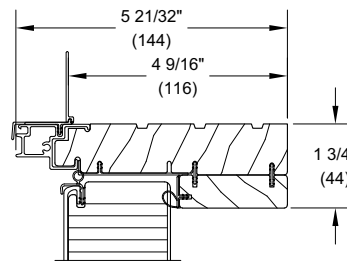
2 1/4" Clad Swinging French Doors

Outswing Section Details: StormPlus IZ3 / IZ4

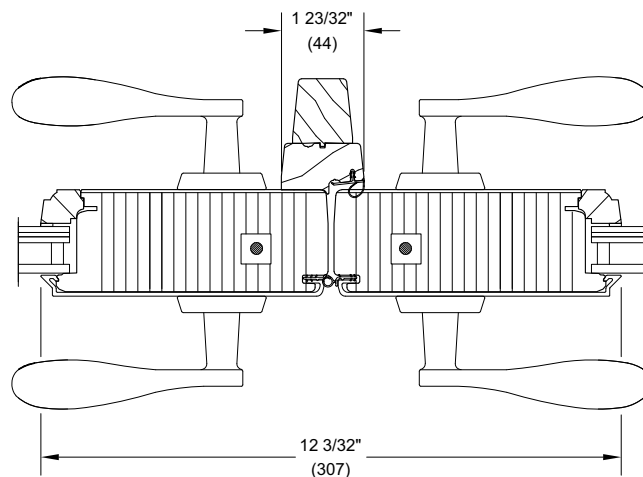
Scale: 3" = 1' 0"



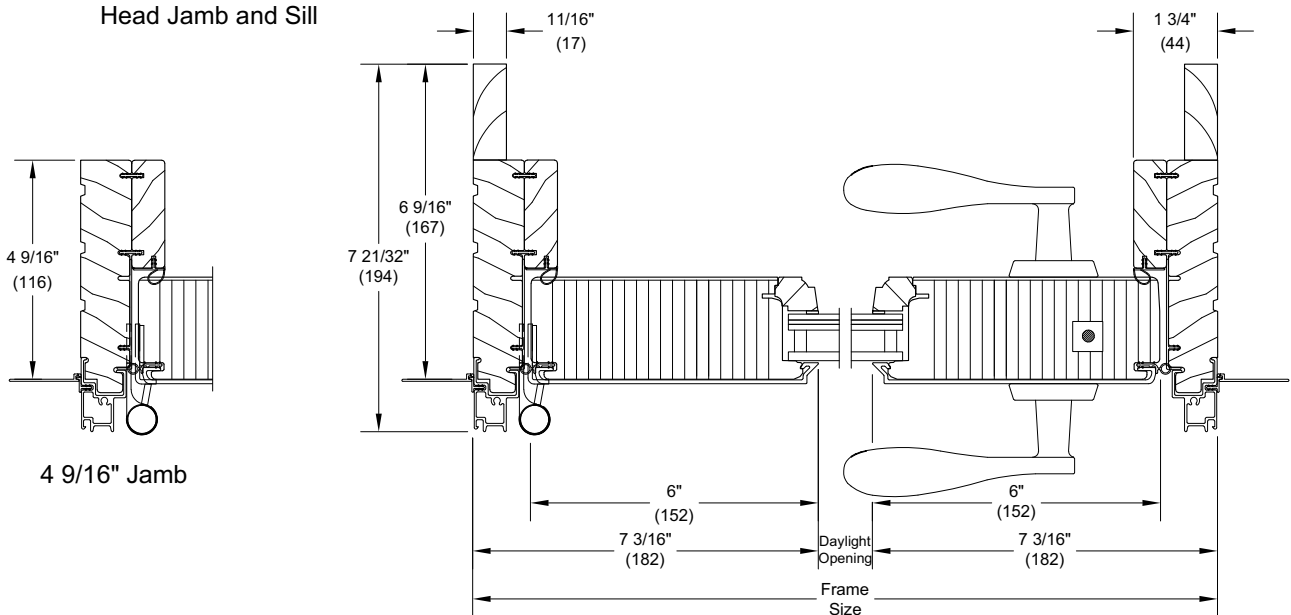
Head Jamb and Sill



4 9/16" Head Jamb



XX L - Meeting Stiles



4 9/16" Jamb

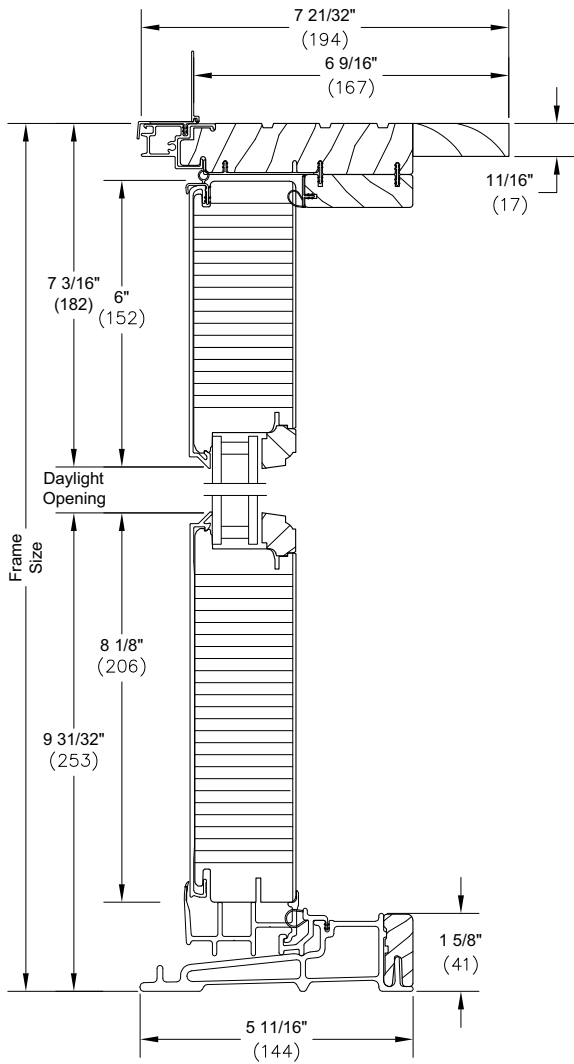
X R - Jamb

NOTE: Impact rated products not available with CE mark.

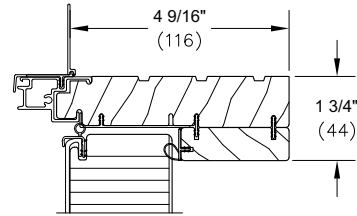
2 1/4" Clad Swinging French Doors

Outswing Section Details: Stationary and Sidelite

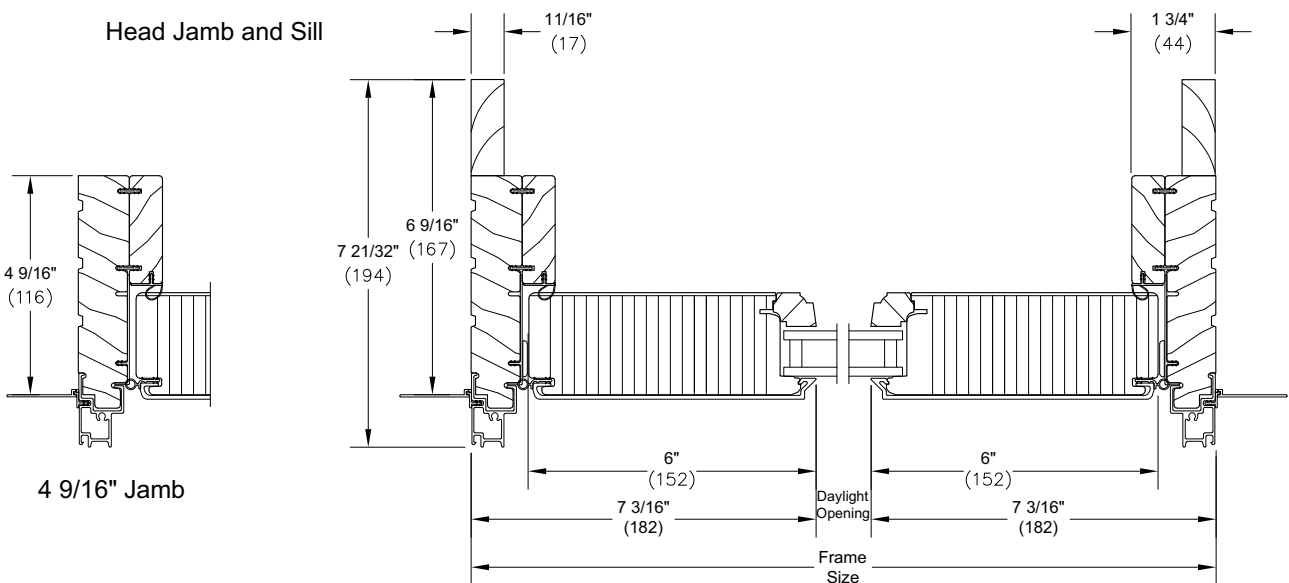
Scale: 3" = 1' 0"



Head Jamb and Sill



4 9/16" Head Jamb

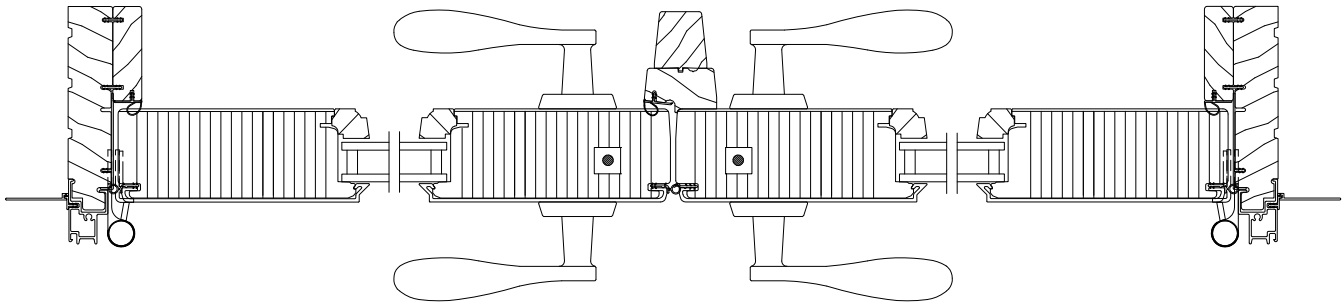


4 9/16" Jamb

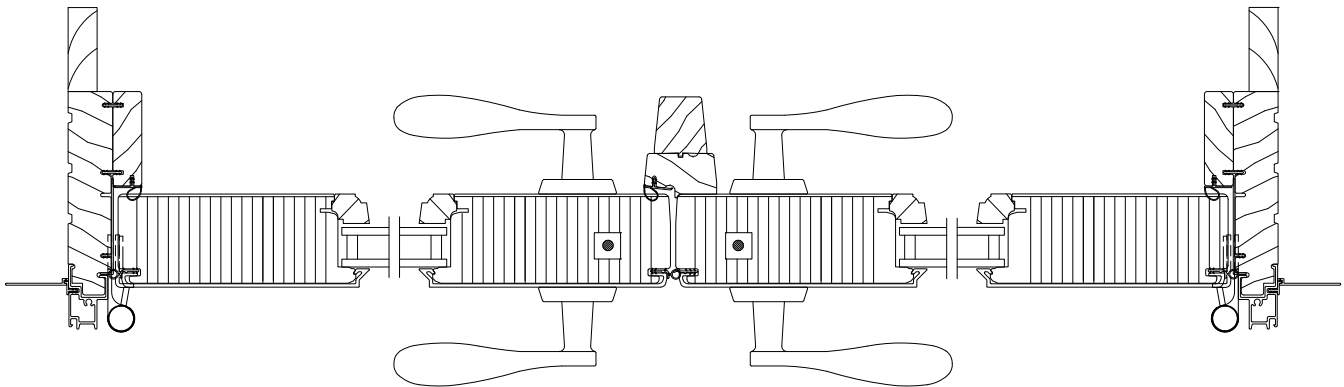
O - Jamb

2 1/4" Clad Swinging French Doors

Outswing Section Details: Panel Configurations



XX R 4 9/16" Jamb

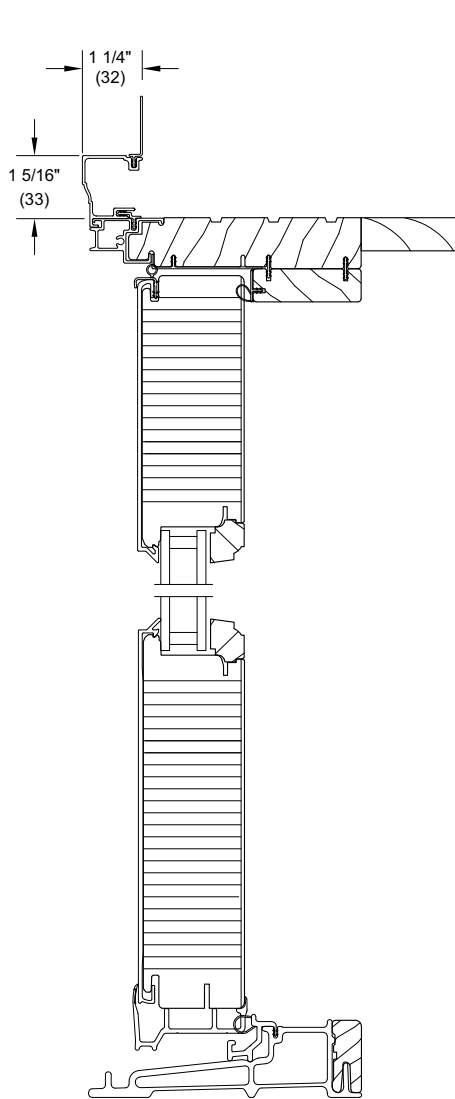


XX R 6 9/16" Jamb

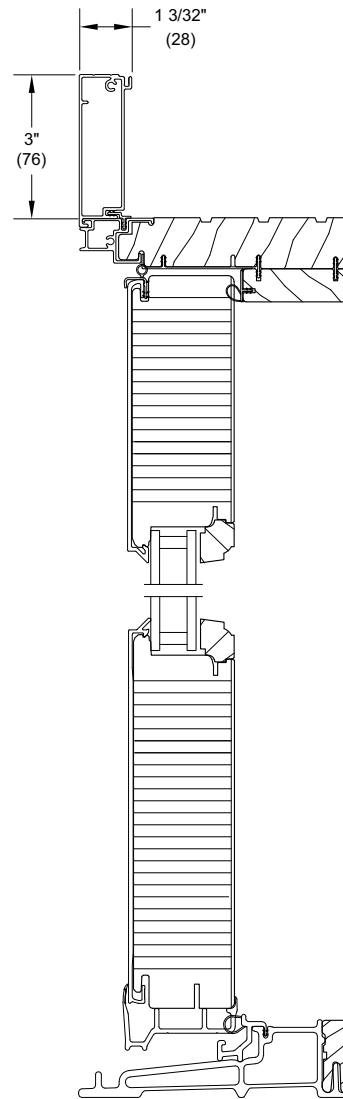
2 1/4" Clad Swinging French Doors

Outswing Section Details: Clad Casing Options

Scale: 3" = 1' 0"



Head Jamb and Sill
with Clad Brick Mould Casing
6 9/16" Jamb Depth

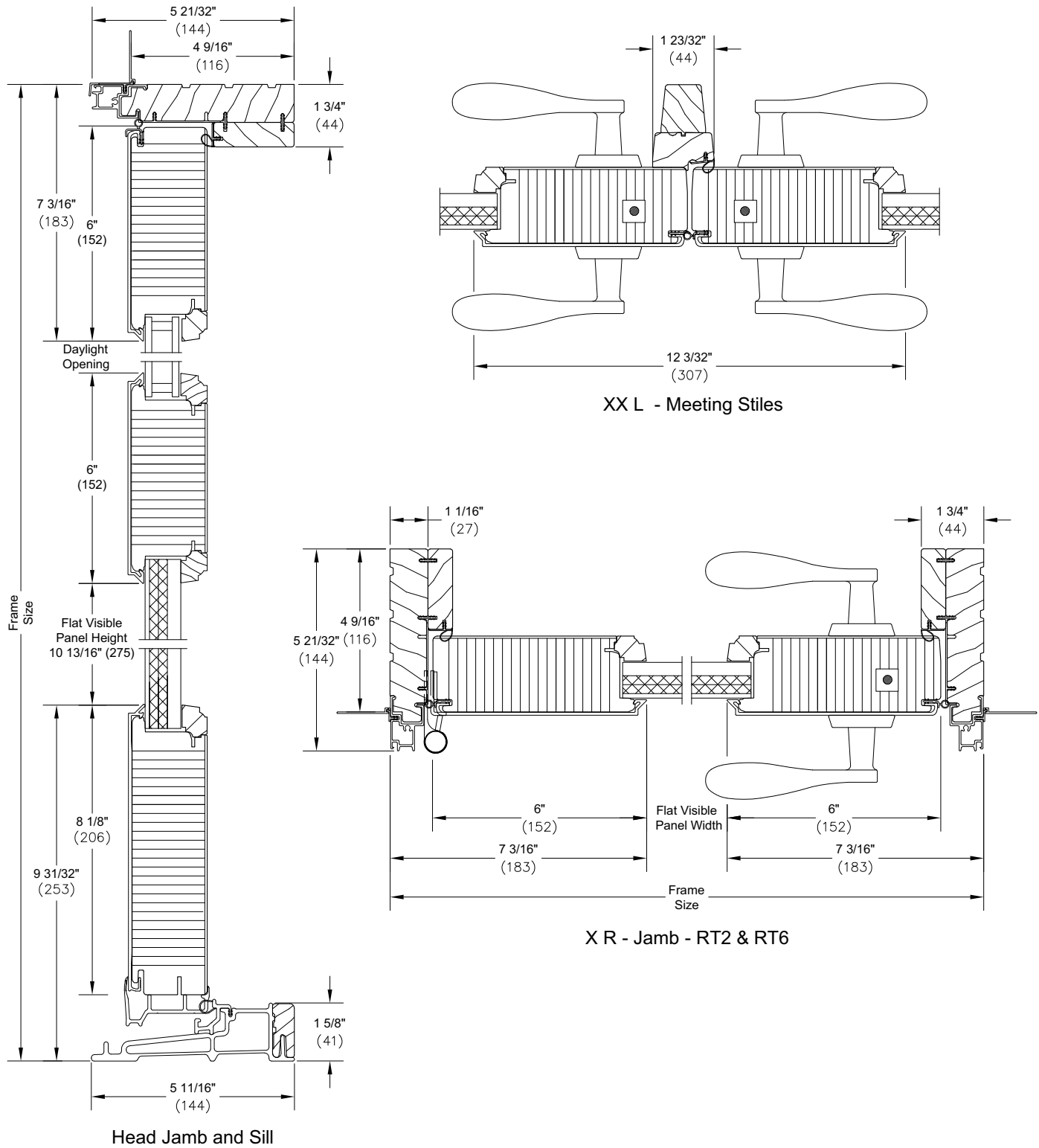


Head Jamb and Sill
with Clad Flat Casing
4 9/16" Jamb Depth

2 1/4" Clad Swinging French Doors

Outswing Section Details: Flat Panel Placement

Scale: 3" = 1' 0"

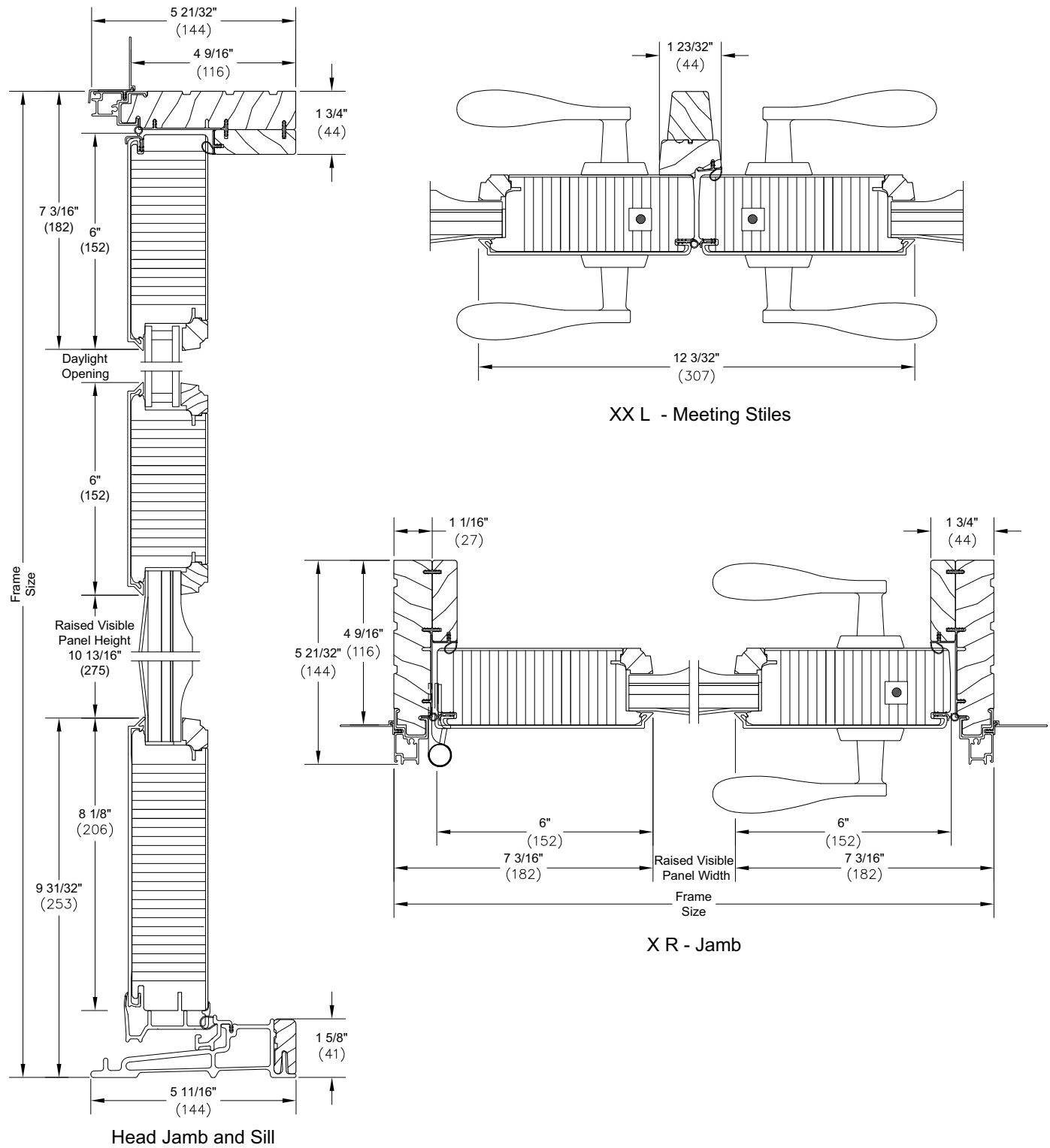


NOTE: 2 1/4" Clad Outswing French Door with flat panels not available with CE mark.

2 1/4" Clad Swinging French Doors

Outswing Section Details: Raised Panel Placement

Scale: 3" = 1' 0"



2 1/4" Clad Swinging French Doors

Outswing Section Details: Interior Shade

Scale: 3" = 1' 0"

