

2 1/4" Clad Arch Top Swinging French Doors

Standard Unit Measurements and Spring Line Measurements.....	1
Certified Sizes and Ratings.....	2
Minimum Maximum Guidelines / Measurement Conversions.....	3
Net Clear Opening.....	4
Inswing Section Details: Operating.....	5
Inswing Section Details: Stationary and Sidelite.....	6
Inswing Section Details: Casing Options.....	7
Inswing Section Details: Panel Configurations.....	8
Inswing Section Details: Ultimate Swinging Screens.....	9
Inswing Section Details: Flat Panel Placement.....	10
Inswing Section Details: Raised Panel Placement.....	11
Outswing Section Details: Operating.....	12
Outswing Section Details: StormPlus IZ3 / IZ4.....	13
Outswing Section Details: Stationary and Sidelite.....	14
Outswing Section Details: Casing Options.....	15
Outswing Section Details: Panel Configurations.....	16
Outswing Section Details: Flat Panel Placement.....	17
Outswing Section Details: Raised Panel Placement.....	18

2 1/4" Clad Arch Top Swinging French Doors

Standard Unit Measurements and Spring Line Measurements

Standard Inswing and Outswing Unit Measurements													
Width													
Unit Type	Call Number	Masonry Opening		Rough Opening		Frame Size		Panel OM		Daylight Opening		Glass Size	
		ft - in	mm	ft - in	mm	ft - in	mm	ft-in	mm	ft - in	mm	ft-in	mm
1 Panel	2-6	2-7 15/16	(811)	2-8 7/16	(824)	2-7 7/16	(799)	2-5 1/16	(738)	1-5 3/32	(434)	1-6 13/32	(468)
	2-8	2-9 15/16	(862)	2-10 7/16	(875)	2-9 7/16	(849)	2-7 1/16	(789)	1-7 3/32	(485)	1-8 13/32	(518)
	3-0	3-1 15/16	(964)	3-2 7/16	(976)	3-1 7/16	(951)	2-11 1/16	(891)	1-11 3/32	(587)	2-0 13/32	(620)
2 Panel	5-0	5-1 1/8	(1553)	5-1 5/8	(1565)	5-0 5/8	(1540)	2-5 1/16	(738)	1-5 3/32	(434)	1-6 13/32	(468)
	5-4	5-5 1/8	(1654)	5-5 5/8	(1667)	5-4 5/8	(1641)	2-7 1/16	(789)	1-7 3/32	(485)	1-8 13/32	(518)
	6-0	6-1 1/8	(1857)	6-1 5/8	(1870)	6-0 5/8	(1845)	2-11 1/16	(891)	1-11 3/32	(587)	2-0 13/32	(620)
Height													
Unit Type	Call Number	Masonry Opening		Rough Opening		Frame Size		Panel OM		Daylight Opening		Glass Size	
		ft - in	mm	ft - in	mm	ft - in	mm	ft-in	mm	ft - in	mm	ft - in	mm
All Configurations	8-0	7-11 3/4	(2432)	8-0	(2438)	7-11 1/2	(2426)	7-8 1/2	(2350)	6-6 3/8	(1991)	6-7 11/16	(2024)
	10-0	9-11 3/4	(3042)	10-0	(3048)	9-11 1/2	(3035)	9-8 1/2	(2959)	8-6 3/8	(2600)	8-7 11/16	(2634)

RT6 - Spring Line Measurements								
RO Radius Width for X = 3 - 4 1/2" (1029)								
RO Radius Width for XX = 6 - 0 1/2" (1842)								
CN	Rough Opening		Rough Opening Springline		Frame Size		Frame Size Springline	
	ft-in	mm	ft-in	mm	ft-in	mm	ft-in	mm
2680	8-0	(2438)	7-8 5/8	(2353)	7-11 1/2	(2426)	7-8 9/32	(2344)
26100	10-0	(3048)	9-8 5/8	(2962)	9-11 1/2	(3035)	9-8 9/32	(2954)
2880	8-0	(2438)	7-8 3/16	(2342)	7-11 1/2	(2426)	7-7 27/32	(2333)
28100	10-0	(3048)	9-8 3/16	(2951)	9-11 1/2	(3035)	9-7 27/32	(2942)
3080	8-0	(2438)	7-7 1/8	(2315)	7-11 1/2	(2426)	7-6 27/32	(2308)
30100	10-0	(3048)	9-7 1/8	(2924)	9-11 1/2	(3035)	9-6 27/32	(2917)
5080	8-0	(2438)	7-5 1/8	(2264)	7-11 1/2	(2426)	7-4 13/16	(2256)
50100	10-0	(3048)	9-5 1/8	(2873)	9-11 1/2	(3035)	9-4 13/16	(2865)
5480	8-0	(2438)	7-4 1/8	(2238)	7-11 1/2	(2426)	7-3 27/32	(2231)
54100	10-0	(3048)	9-4 1/8	(2848)	9-11 1/2	(3035)	9-3 27/32	(2841)
6080	8-0	(2438)	7-1 15/16	(2183)	7-11 1/2	(2426)	7-1 43/64	(2176)
60100	10-0	(3048)	9-1 15/16	(2792)	9-11 1/2	(3035)	9-1 43/64	(2786)

RT2 - Spring Line Measurements								
CN	Rough Opening		Rough Opening Springline		Frame Size		Frame Size Springline	
	ft-in	mm	ft-in	mm	ft-in	mm	ft-in	mm
2680	8-0	(2438)	6-7 3/4	(2026)	7-11 1/2	(2426)	6-7 25/32	(2026)
26100	10-0	(3048)	8-7 3/4	(2635)	9-11 1/2	(3035)	8-7 25/32	(2636)
2880	8-0	(2438)	6-6 3/4	(2000)	7-11 1/2	(2426)	6-6 25/32	(2001)
28100	10-0	(3048)	8-6 3/4	(2610)	9-11 1/2	(3035)	8-6 25/32	(2611)
3080	8-0	(2438)	6-4 3/4	(1949)	7-11 1/2	(2426)	6-4 25/32	(1950)
30100	10-0	(3048)	8-4 3/4	(2559)	9-11 1/2	(3035)	8-4 25/32	(2560)
5080	8-0	(2438)	5-5 3/16	(1656)	7-11 1/2	(2426)	5-5 3/16	(1656)
50100	10-0	(3048)	7-5 3/16	(2265)	9-11 1/2	(3035)	7-5 3/16	(2265)
5480	8-0	(2438)	5-3 3/16	(1605)	7-11 1/2	(2426)	5-3 3/16	(1605)
54100	10-0	(3048)	7-3 3/16	(2215)	9-11 1/2	(3035)	7-3 3/16	(2215)
6080	8-0	(2438)	4-11 3/16	(1503)	7-11 1/2	(2426)	4-11 3/16	(1503)
60100	10-0	(3048)	6-11 3/16	(2113)	9-11 1/2	(3035)	6-11 3/16	(2113)

2 1/4" Clad Arch Top Swinging French Doors

Certified Sizes and Ratings

Certified Sizes and Ratings - 2 1/4" Inswing French Door								
Product	Air Tested to psf	Water Tested to psf	Structural Tested to psf	Certification Testing	Design Pressure (DP)	Overall Width	Overall Height	# of Panels
Clad 2 1/4" Inswing French Door 30100 (O)	1.57	8.25	82.5	LC-PG55-FD	55	37.5	119.5	1
Clad 2 1/4" Inswing French Door 60100 (XX)	1.57	8.25	82.5	LC-PG55-FD	55	72.625	119.5	2
Clad 2 1/4" Inswing French Door StormPlus IZ3 30100 (O)	1.57	8.25	+82.5/-97.5	LC-PG55-FD	+55/-65	37.5	119.5	1
Clad 2 1/4" Inswing French Door StormPlus IZ3 60100 (XX)	1.57	8.25	+82.5/-97.5	LC-PG55-FD	+55/-65	72.625	119.5	2

NOTE: Maximum height for IZ3 and IZ4 Doors with Low E1, ERS, ELR, Special SDLS, GBG is 115 7/8" (2966).

For CE ratings, please refer to CE Performance chapter.

Certified Sizes and Ratings - 2 1/4" Outswing French Door								
Product	Air Tested to psf	Water Tested to psf	Structural Tested to psf	Certification Rating	Design Pressure (DP)	Overall Width	Overall Height	# of Panels
Clad 2 1/4" Outswing French Door 30100 (O)	1.57	8.25	82.5	LC-PG55-FD	55	37.5	119.5	1
Clad 2 1/4" Outswing French Door 60100 (XX)	1.57	8.25	82.5	LC-PG55-SHD	55	72.625	119.5	2
Clad 2 1/4" Outswing French Door StormPlus IZ3 30100 (O)	1.57	8.25	+82.5/-97.5	LC-PG55-FD	+55/-65	37.5	119.5	1
Clad 2 1/4" Outswing French Door StormPlus IZ3 60100 (XX)	1.57	8.25	+82.5/-97.5	LC-PG55-SHD	+55/-65	72.625	119.5	2
Clad 2 1/4" Outswing French Door StormPlus IZ4 30100 (O)	1.57	9.75	+97.5/-102.5	LC-PG65-SHD	+65/-70	37.5	119.5	1
Clad 2 1/4" Outswing French Door StormPlus IZ4 60100 (XX)	1.57	9.75	+97.5/-102.5	LC-PG65-FD	+65/-70	72.625	119.5	2

NOTE: Maximum height for IZ3 and IZ4 Doors with Low E1, ERS, ELR, Special SDLS, GBG is 115 7/8" (2966).

Impact rated products not available with CE mark.

2 1/4" Clad Arch Top Swinging French Doors

Minimum Maximum Guidelines / Measurement Conversions

Minimum and Maximum Guidelines									
Unit Configurations		Frame Size							
		Min Width		Min Height		Max Width		Max Height	
		in	mm	in	mm	in	mm	in	mm
1 - Panel Stationary	RT2	20 5/16	(516)	25 29/64	(647)	37 7/16	(951)	119 1/2	(3035)
	RT6	29 9/16	(751)	22 27/32	(580)	37 7/16	(951)	119 1/2	(3035)
1 - Panel Operator	RT2	20 5/16	(516)	74 39/64	(1895)	37 7/16	(951)	119 1/2	(3035)
	RT6	29 9/16	(751)	72 5/16	(1837)	37 7/16	(951)	119 1/2	(3035)
2 - Panel Operator	RT2	45 1/2	(1156)	70 5/16	(1786)	72 5/8	(1845)	119 1/2	(3035)
	RT6	56 7/8	(1445)	70 5/16	(1786)	72 5/8	(1845)	119 1/2	(3035)

2 1/4" Arch Top Extended Sizes					
Unit Configurations		Frame Size			
		Max Width		Max Height	
		in	mm	in	mm
1 - Panel Stationary		53 1/2	(1359)	119.5	(3035)
1 - Panel Operator		44 3/8	(1127)	119.5	(3035)
2 - Panel Operator		86 1/2	(2197)	119.5	(3035)

Unit Measurements Conversions		Width				Height	
From	To	in	mm			in	mm
Rough Opening		in	mm			in	mm
OM of Frame	Rough Opening	+ 1	(25)			+ 1/2	(13)
Masonry Opening	Rough Opening	+ 1/2	(13)			+ 1/4	(06)
Masonry Opening w/BMC	Rough Opening	-2 1/8	(54)			-1 1/16	(27)
Operating Panel		in	mm			in	mm
OM of Frame	OM of Panel (x1)	-2 3/8	(60)			-3	(76)
OM of Frame	OM of Panel (x2)	-2 1/2	(64)	÷	2	-3	(76)
Daylight Opening	OM of Panel	+ 11 31/32	(304)			+ 14 1/8	(359)
Glass		in	mm			in	mm
Daylight Opening	Glass	+ 1 5/16	(33)			+ 1 5/16	(33)

NOTE: 1-Panel Standard R.O. Radius 40 1/2" (1029) 2-Panel Standard R.O. Radius 72 1/2" (1842)

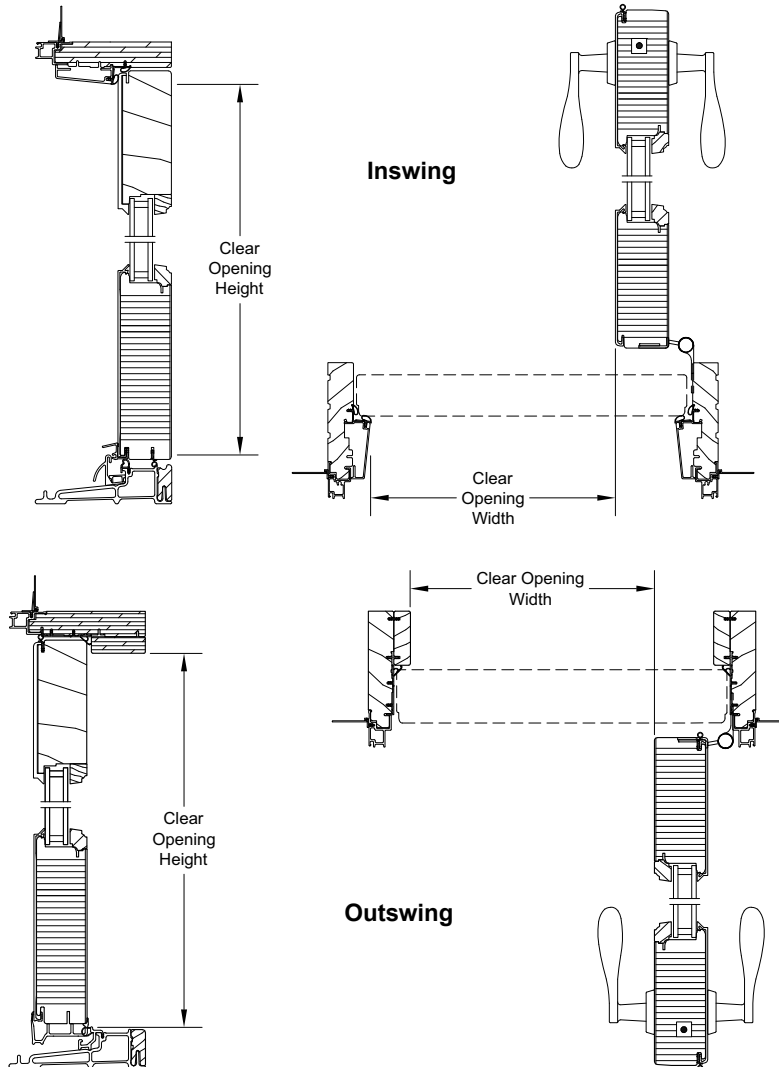
2 1/4" Clad Arch Top Swinging French Doors

Net Clear Opening

Scale: 1 1/2" = 1'

Net Clear Opening 2 1/4" Inswing French Door			
Width			
Unit Type	Call Number	Net Clear Openings	
		ft-in	mm
1 Panel	2-6	2-1 15/32	(647)
	2-8	2-3 15/32	(698)
	3-0	2-7 15/32	(799)
2 Panel	5-0	4-4 3/16	(1325)
	5-4	4-8 3/16	(1427)
	6-0	5-4 3/16	(1630)
Height			
Unit Type	Call Number	Net Clear Openings	
		ft - in	mm
All Configurations At Springline	8-0	7-7 23/32	(2329)
	10-0	9-7 23/32	(2939)

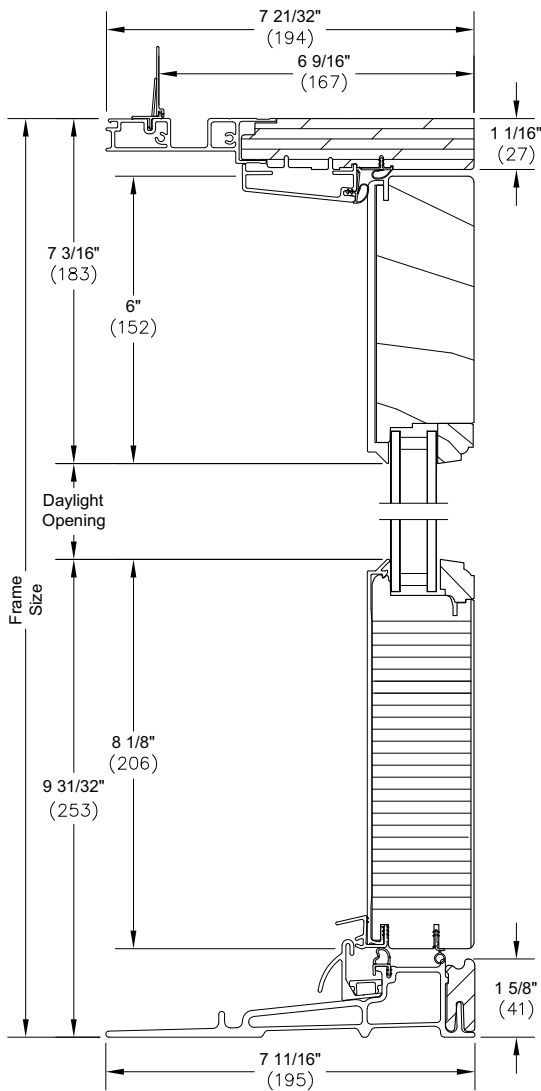
Net Clear Opening 2 1/4" Outswing French Door			
Width			
Unit Type	Call Number	Net Clear Openings	
		ft-in	mm
1 Panel	2-6	2-1 15/32	(647)
	2-8	2-3 15/32	(698)
	3-0	2-7 15/32	(799)
2 Panel	5-0	4-4 3/16	(1325)
	5-4	4-8 3/16	(1427)
	6-0	5-4 3/16	(1630)
Height			
Unit Type	Call Number	Net Clear Openings	
		ft - in	mm
All Configurations At Springline	8-0	7-8 1/8	(2340)
	10-0	9-8 1/8	(2950)



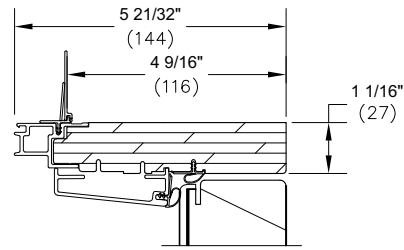
2 1/4" Clad Arch Top Swinging French Doors

Inswing Section Details: Operating

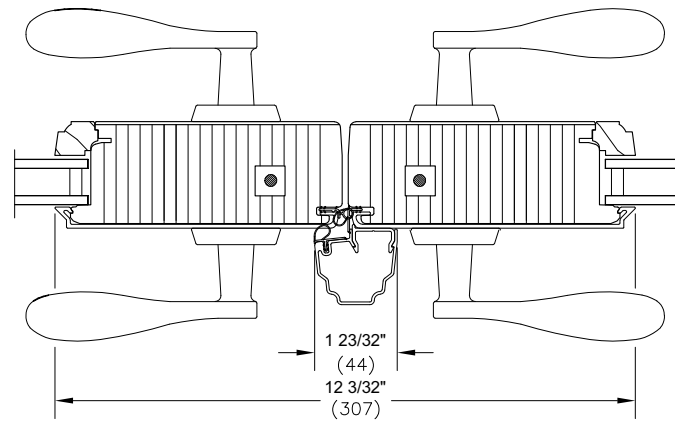
Scale: 3" = 1' 0"



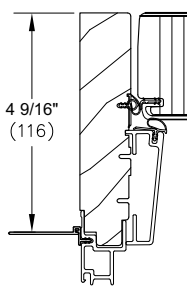
Head Jamb and Sill



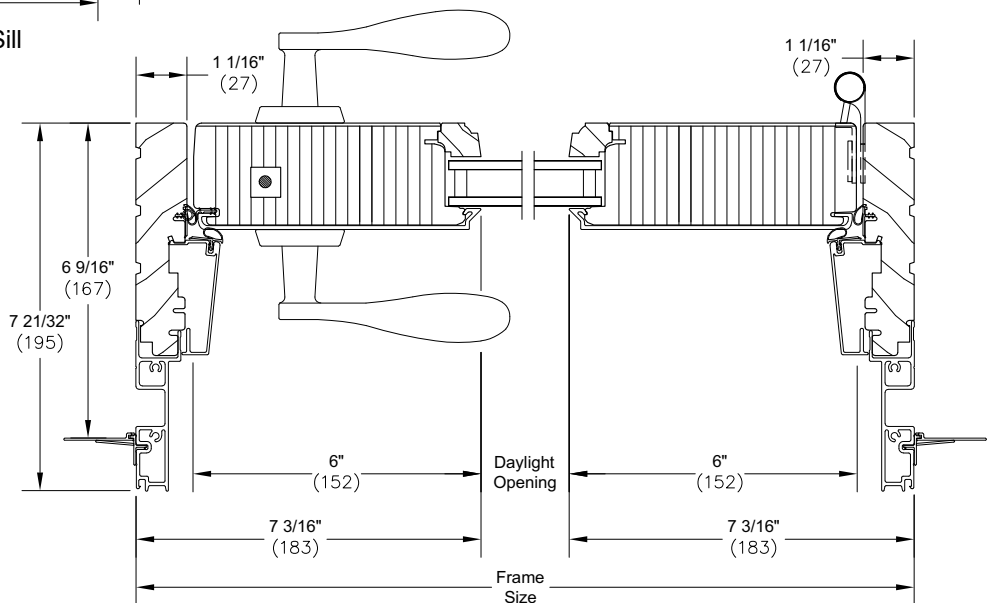
4 9/16" Head Jamb



XX L Meeting Stiles



4 9/16" Jamb
RT2

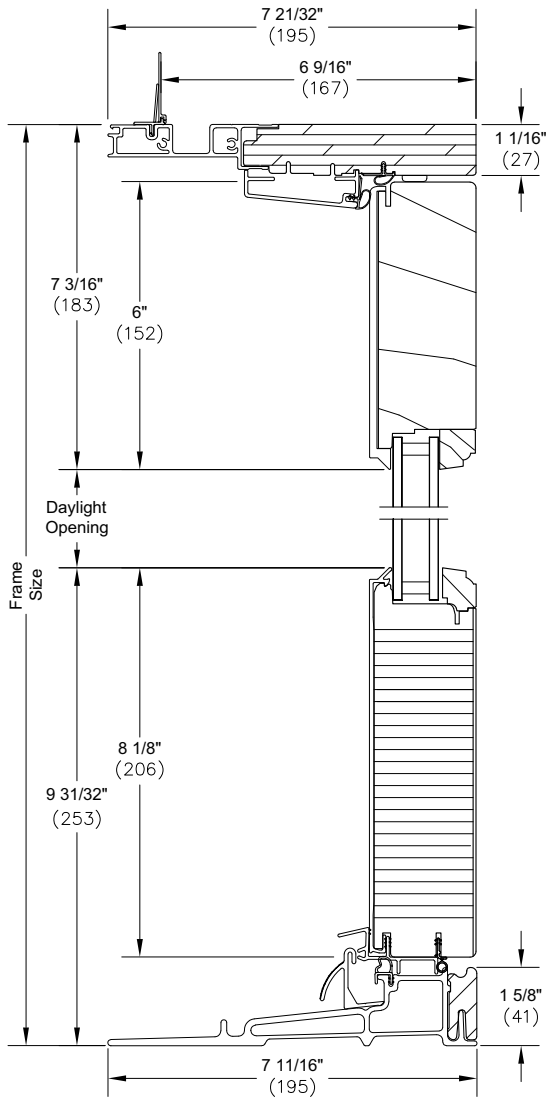


X R Jamb - RT6

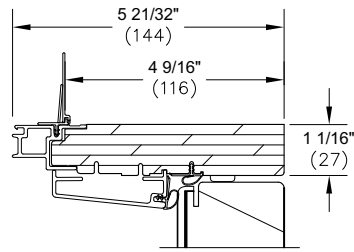
2 1/4" Clad Arch Top Swinging French Doors

Inswing Section Details: Stationary and Sidelite

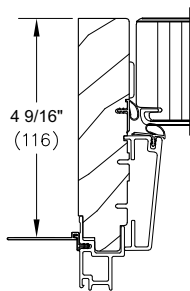
Scale: 3" = 1' 0"



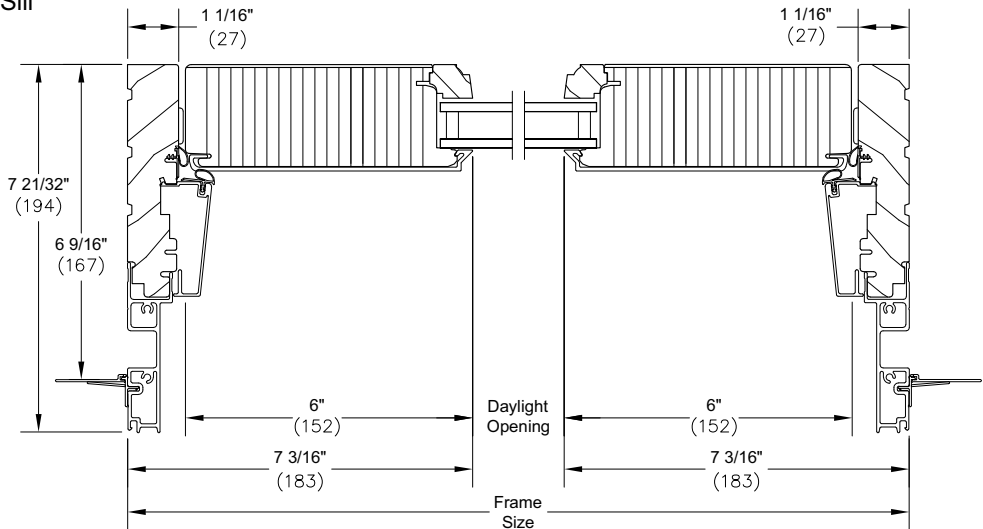
Head Jamb and Sill



4 9/16" Head Jamb



4 9/16" Jamb
RT2

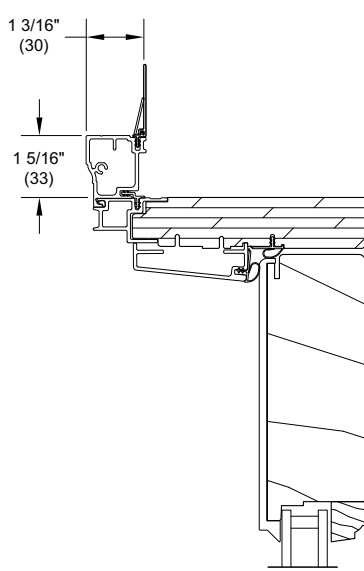


O Jamb - RT6

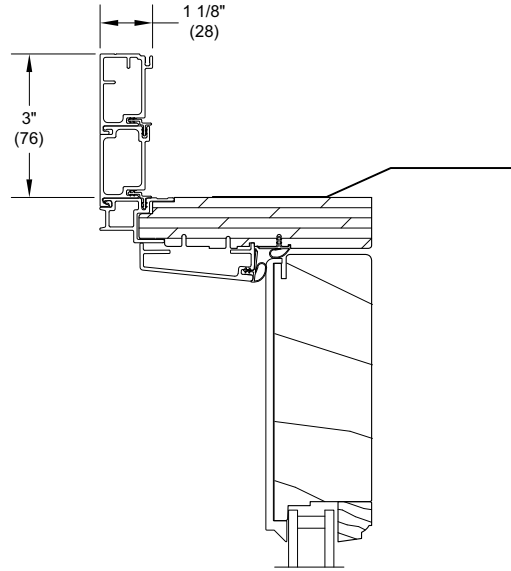
2 1/4" Clad Arch Top Swinging French Doors

Inswing Section Details: Casing Options

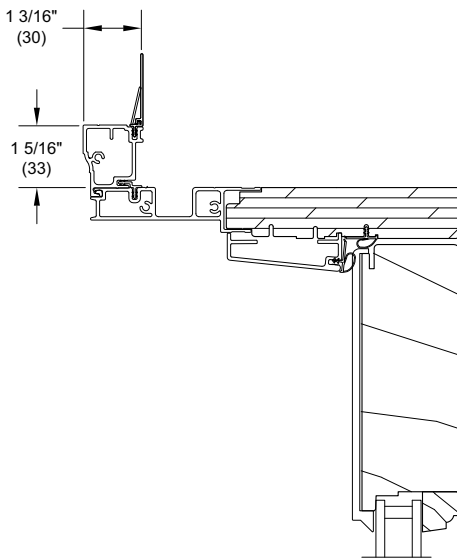
Scale: 3" = 1' 0"



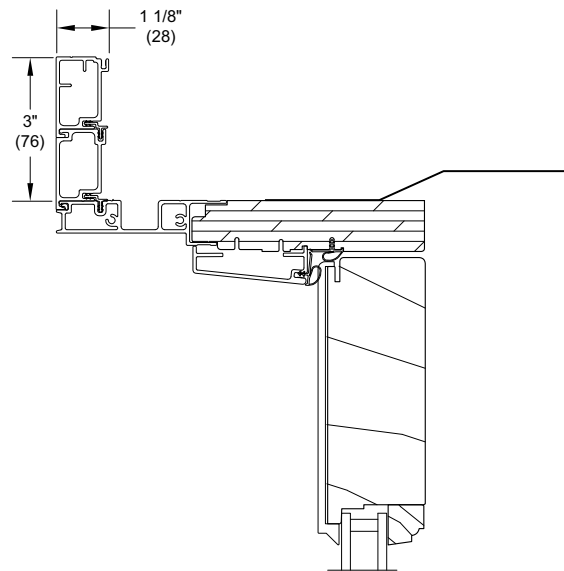
4 9/16" Head Jamb with
Clad Brick Mould Casing



4 9/16" Head Jamb with
Clad Flat Casing



6 9/16" Head Jamb with
Clad Brick Mould Casing

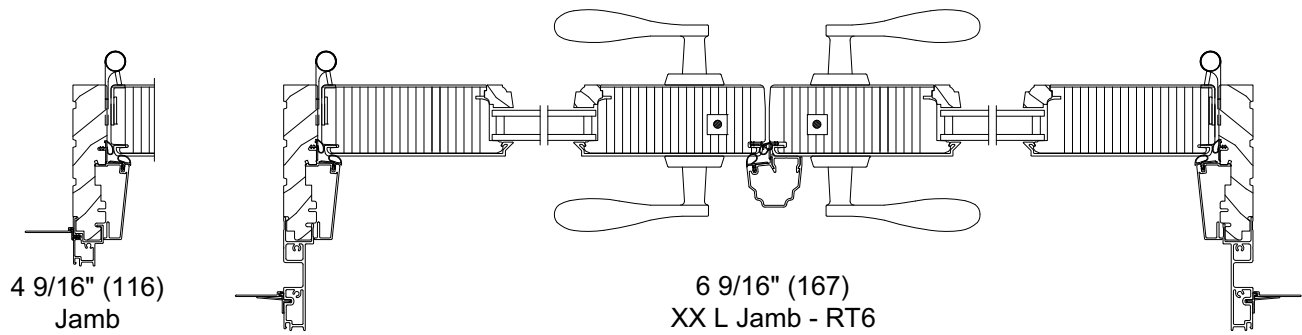
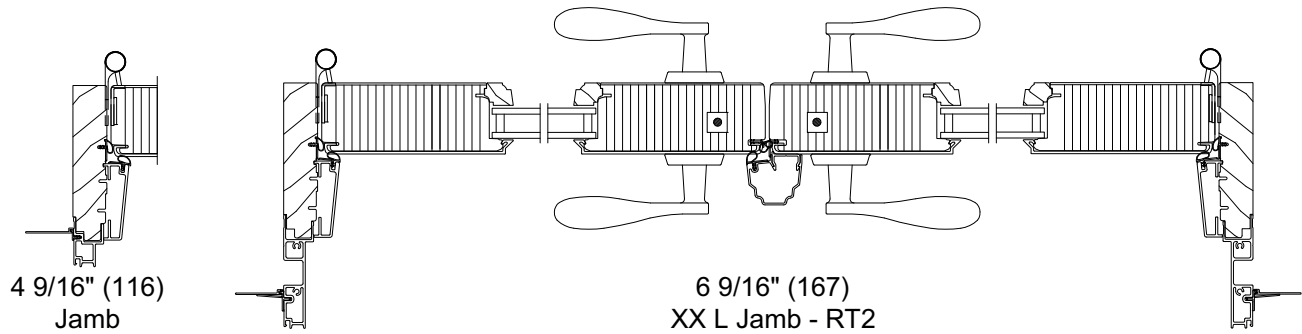


6 9/16" Head Jamb with
Clad Flat Casing

2 1/4" Clad Arch Top Swinging French Doors

Inswing Section Details: Panel Configurations

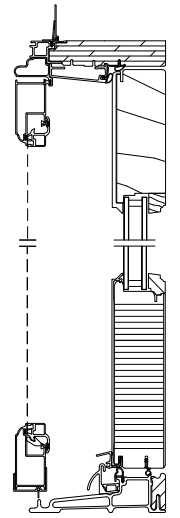
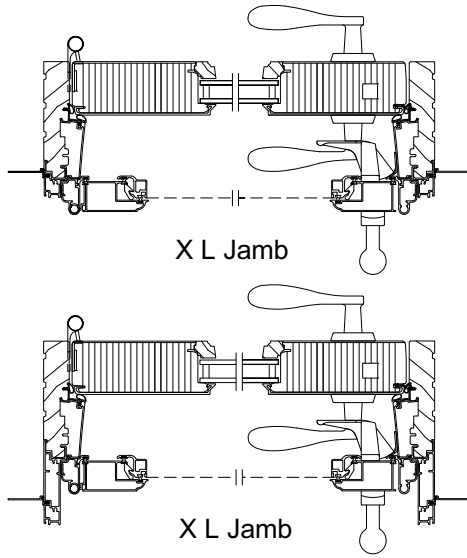
Not to Scale



2 1/4" Clad Arch Top Swinging French Doors

Inswing Section Details: Ultimate Swinging Screens

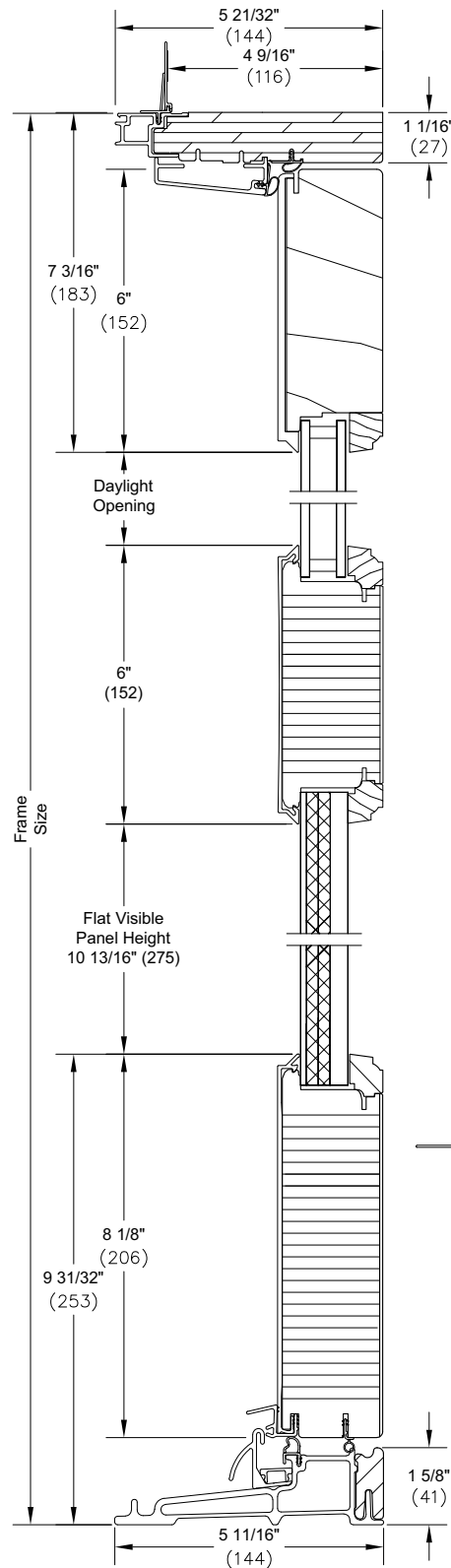
Not to Scale



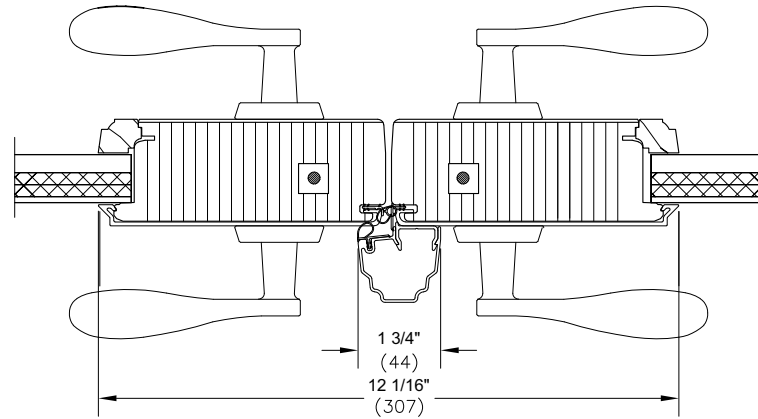
2 1/4" Clad Arch Top Swinging French Doors

Inswing Section Details: Flat Panel Placement

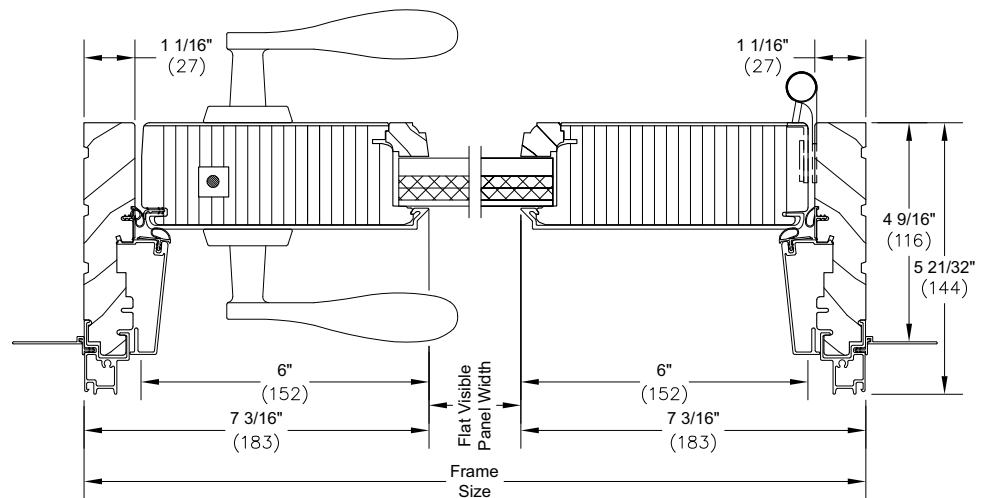
Scale: 3" = 1' 0"



Head Jamb and Sill



XX L Meeting Stiles



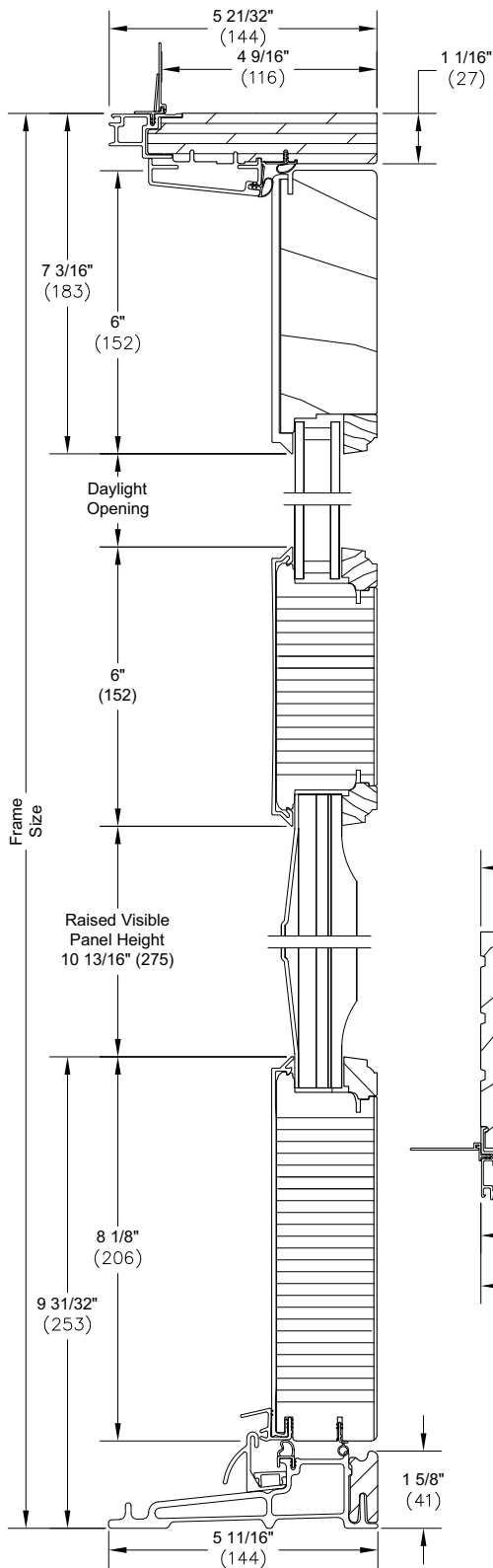
X R Jamb - RT6

NOTE: 2 1/4" Clad Ultimate Arch Top Inswing French Door with flat panels are not available with CE mark.

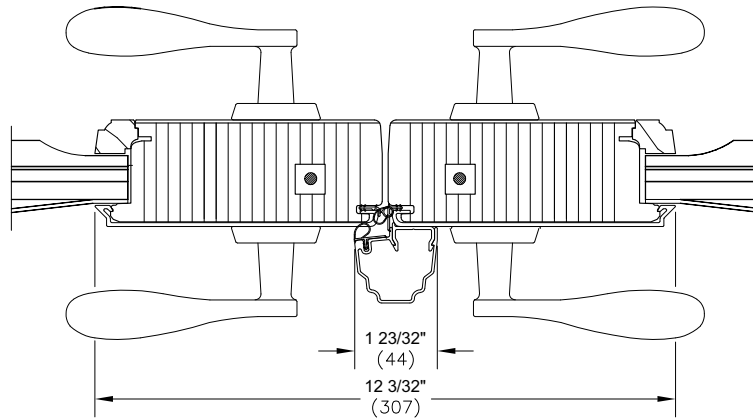
2 1/4" Clad Arch Top Swinging French Doors

Inswing Section Details: Raised Panel Placement

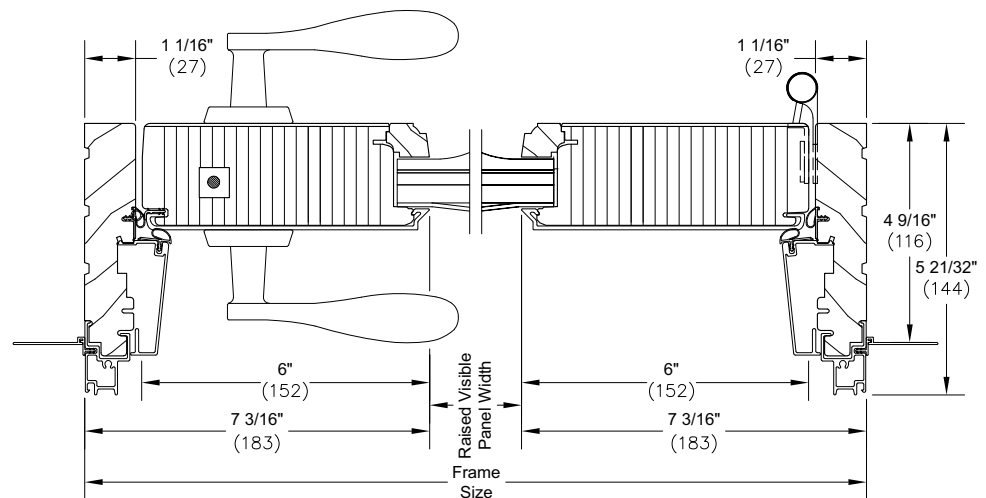
Scale: 3" = 1' 0"



Head Jamb and Sill



XX L Meeting Stiles



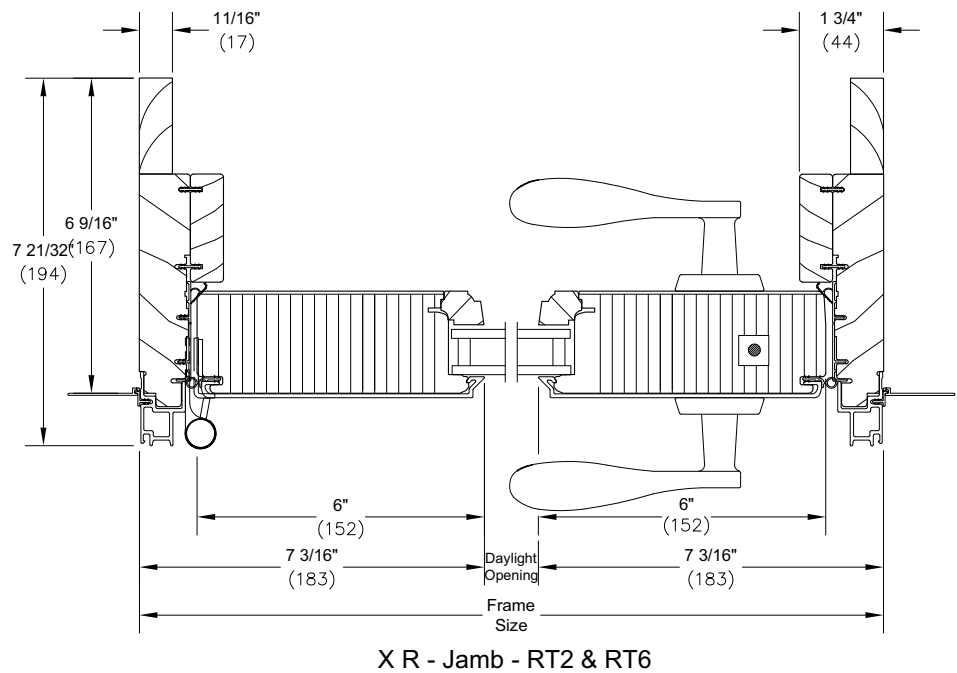
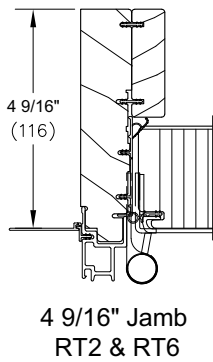
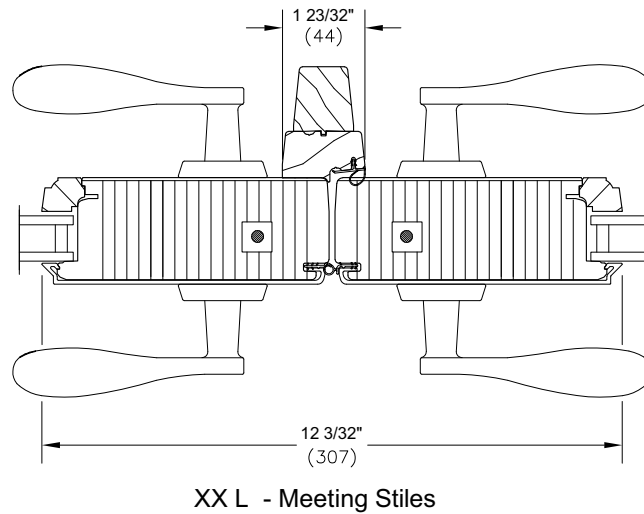
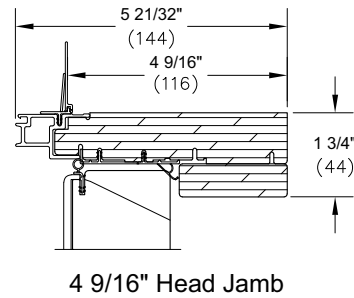
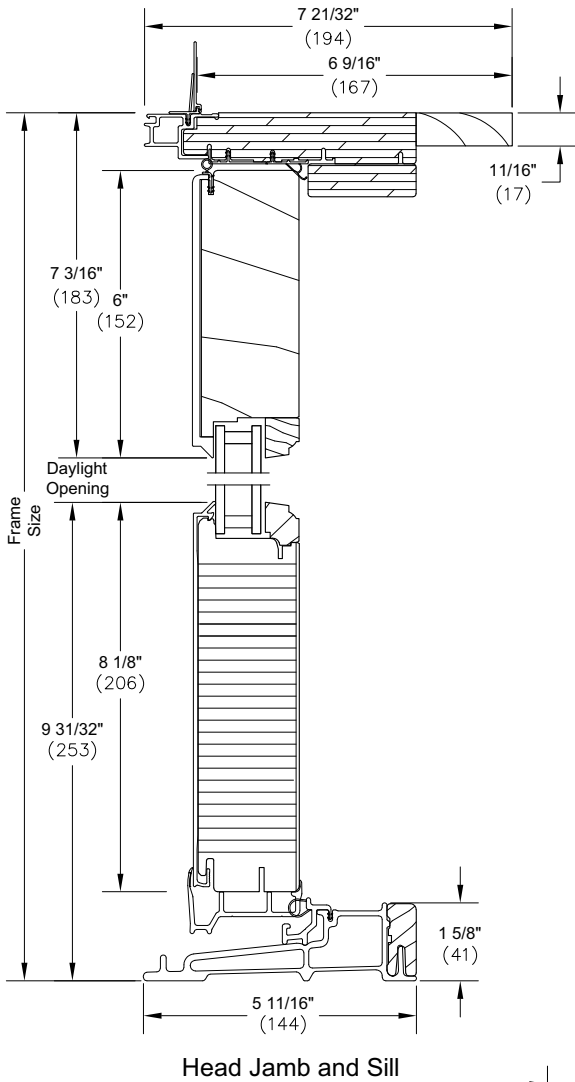
X R Jamb - RT6

NOTE: 2 1/4" Clad Ultimate Arch Top Inswing French Door with raised panels are not available with CE mark.

2 1/4" Clad Arch Top Swinging French Doors

Outswing Section Details: Operating

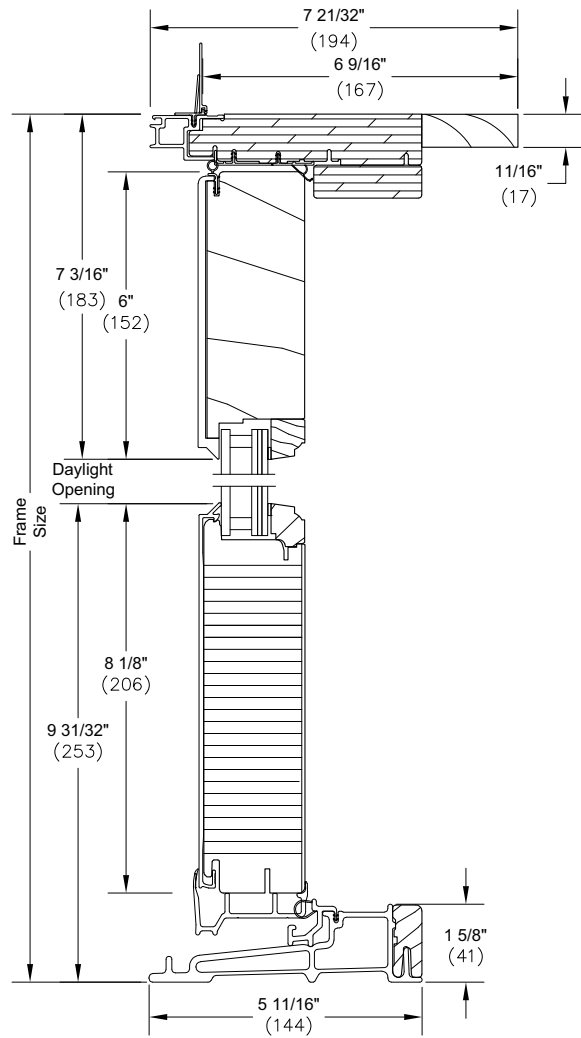
Scale: 3" = 1' 0"



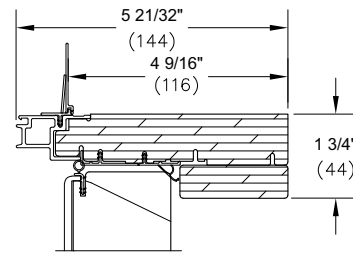
2 1/4" Clad Arch Top Swinging French Doors

Outswing Section Details: StormPlus IZ3 / IZ4

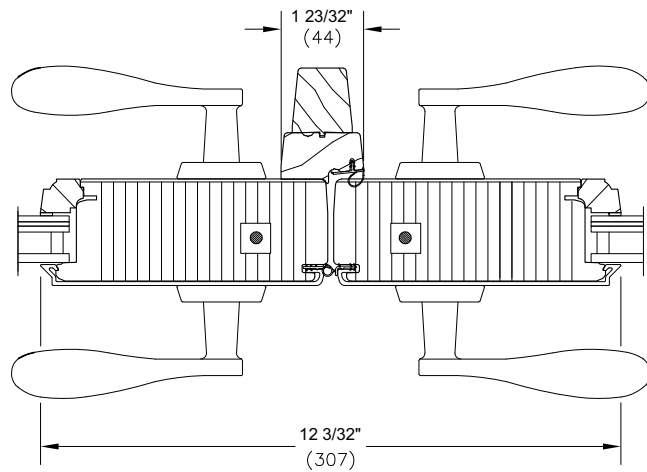
Scale: 3" = 1' 0"



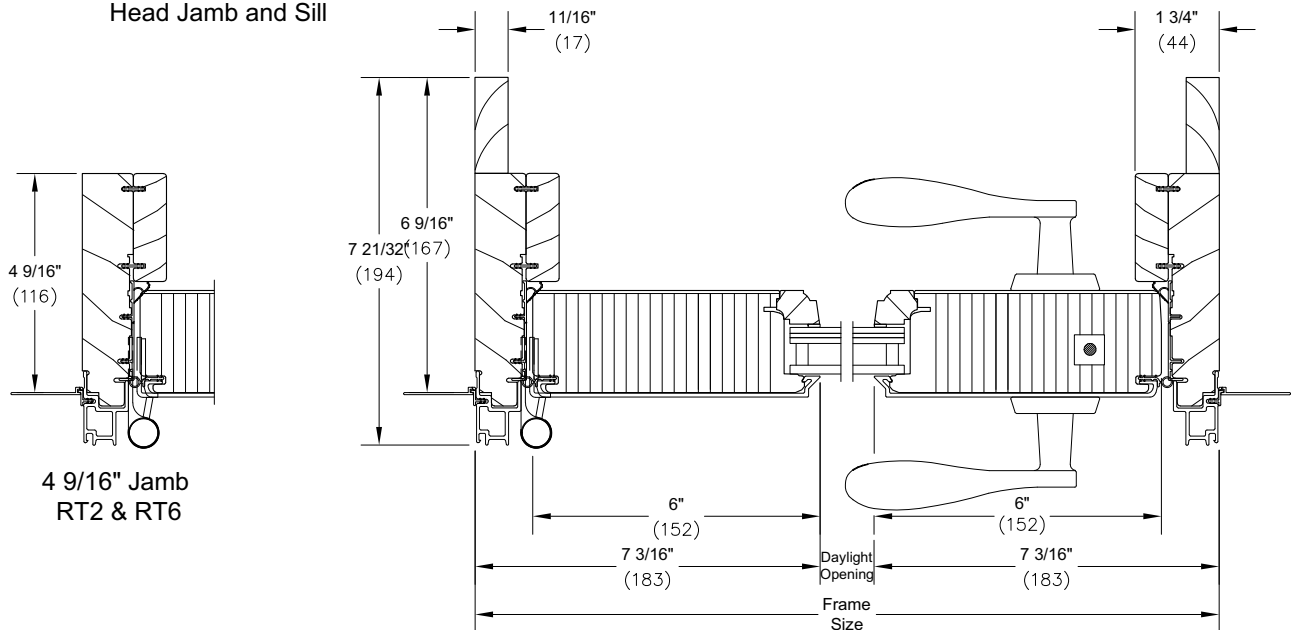
Head Jamb and Sill



4 9/16" Head Jamb



XX L - Meeting Stiles



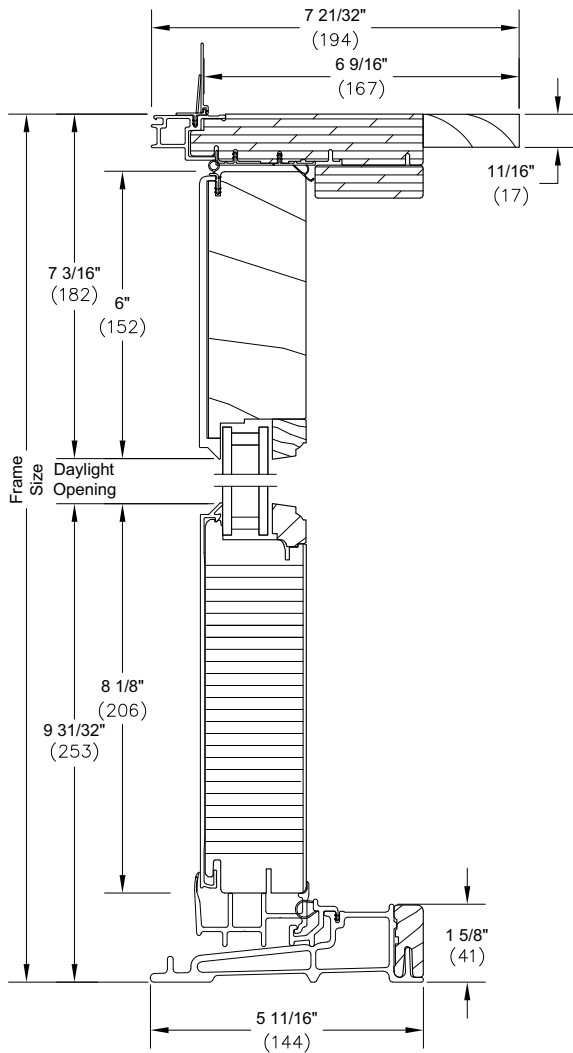
X R - Jamb - RT2 & RT6

NOTE: Impact rated products not available with CE mark.

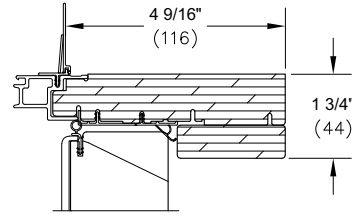
2 1/4" Clad Arch Top Swinging French Doors

Outswing Section Details: Stationary and Sidelite

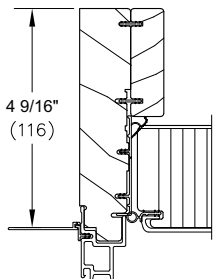
Scale: 3" = 1' 0"



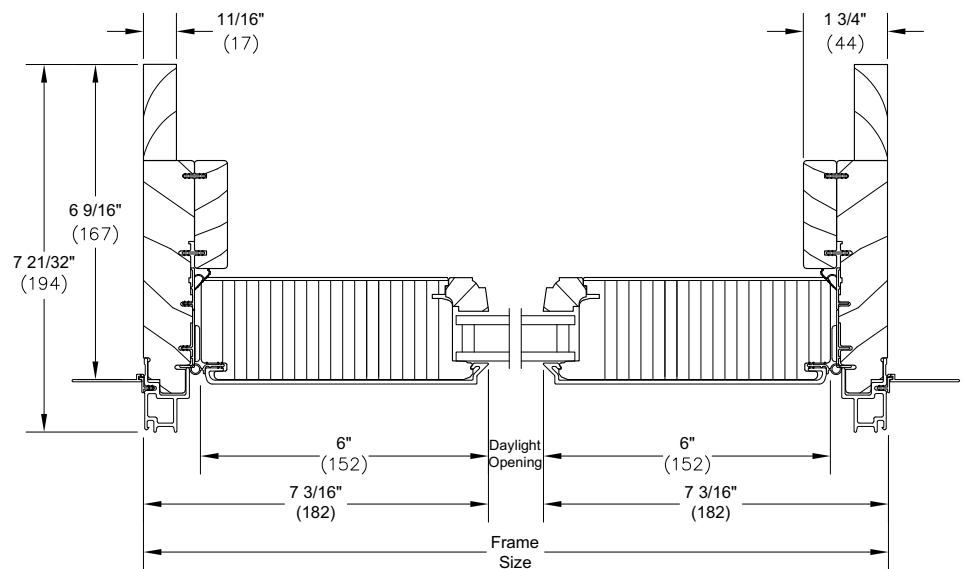
Head Jamb and Sill



4 9/16" Head Jamb



4 9/16" Jamb

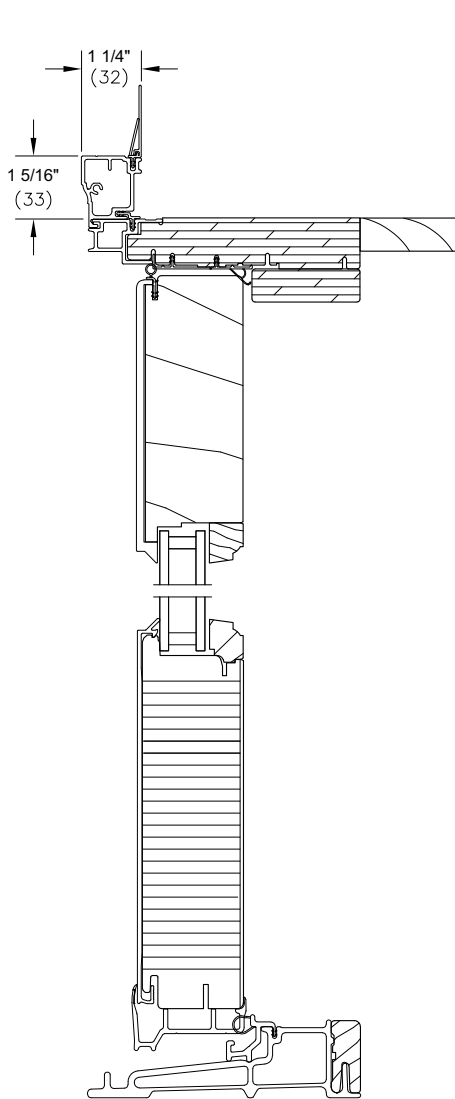


O - Jamb - RT2 & RT6

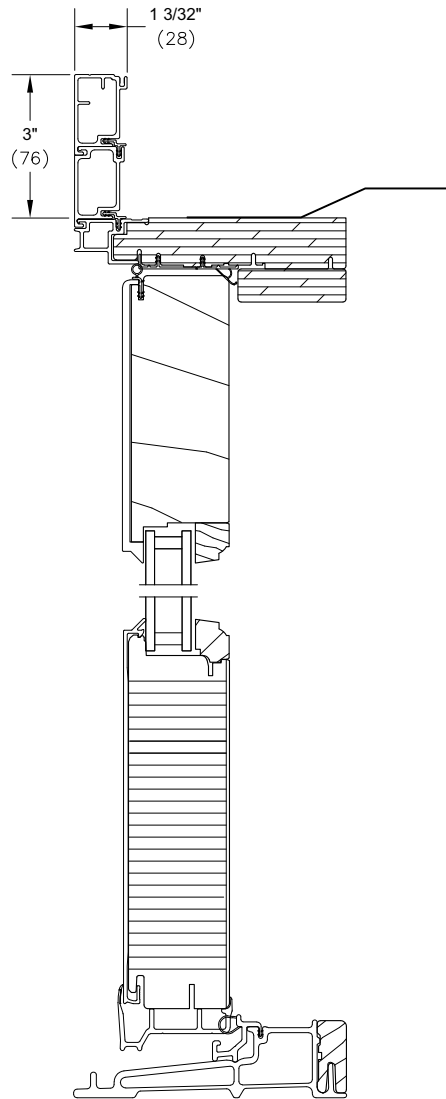
2 1/4" Clad Arch Top Swinging French Doors

Outswing Section Details: Casing Options

Scale: 3" = 1' 0"



Head Jamb and Sill
with Clad Brick Mould Casing
6 9/16" Jamb Depth

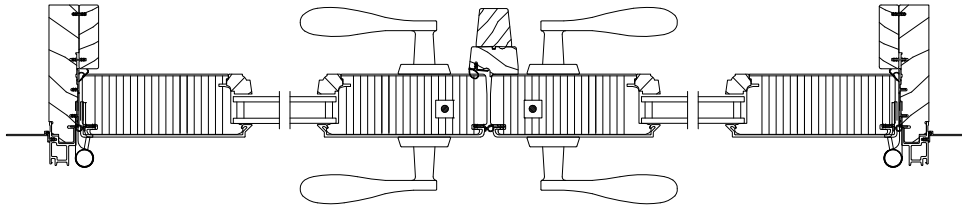


Head Jamb and Sill
with Clad Flat Casing
4 9/16" Jamb Depth

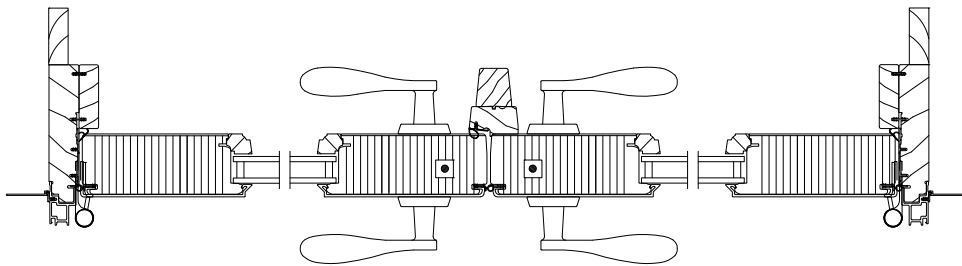
2 1/4" Clad Arch Top Swinging French Doors

Outswing Section Details: Panel Configurations

Not to Scale



XX R - 4 9/16" Jamb - RT2 & RT6

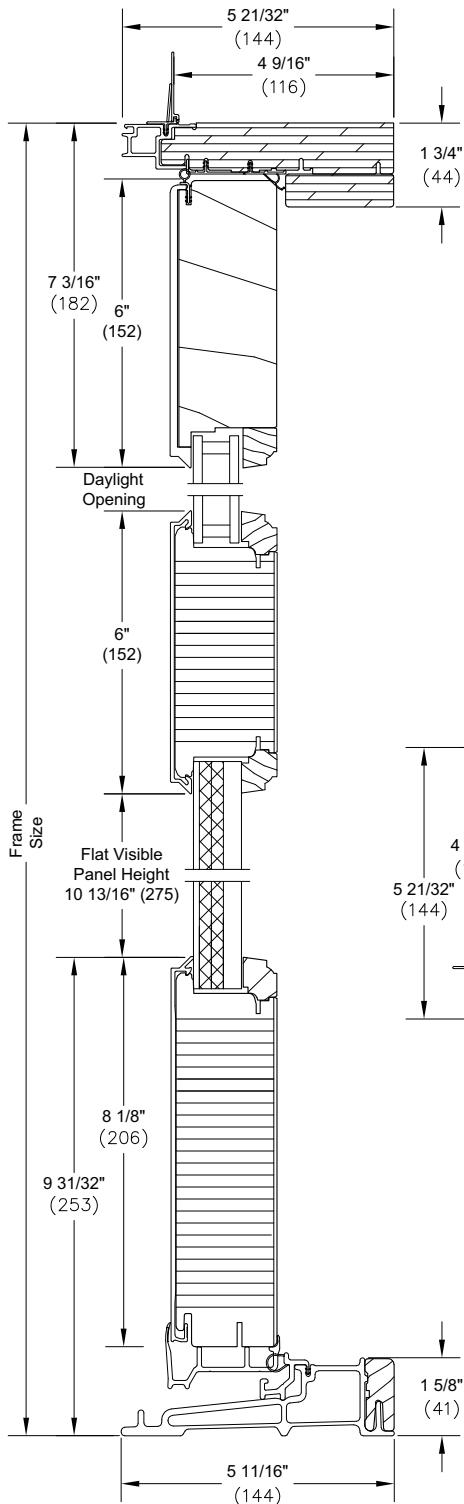


XX R - 6 9/16" Jamb - RT2 & RT6

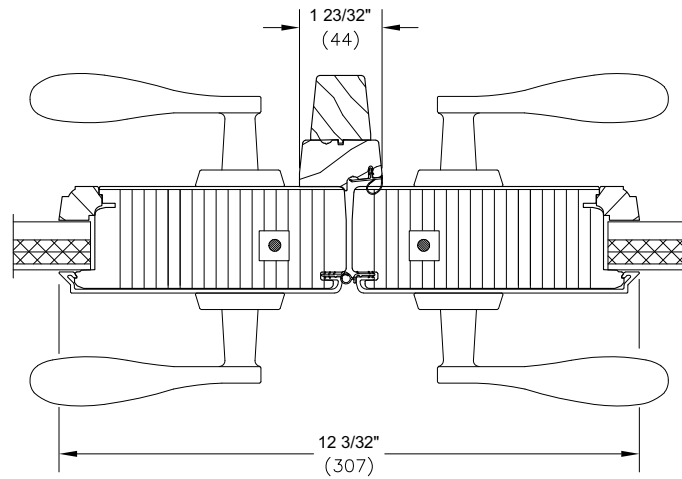
2 1/4" Clad Arch Top Swinging French Doors

Outswing Section Details: Flat Panel Placement

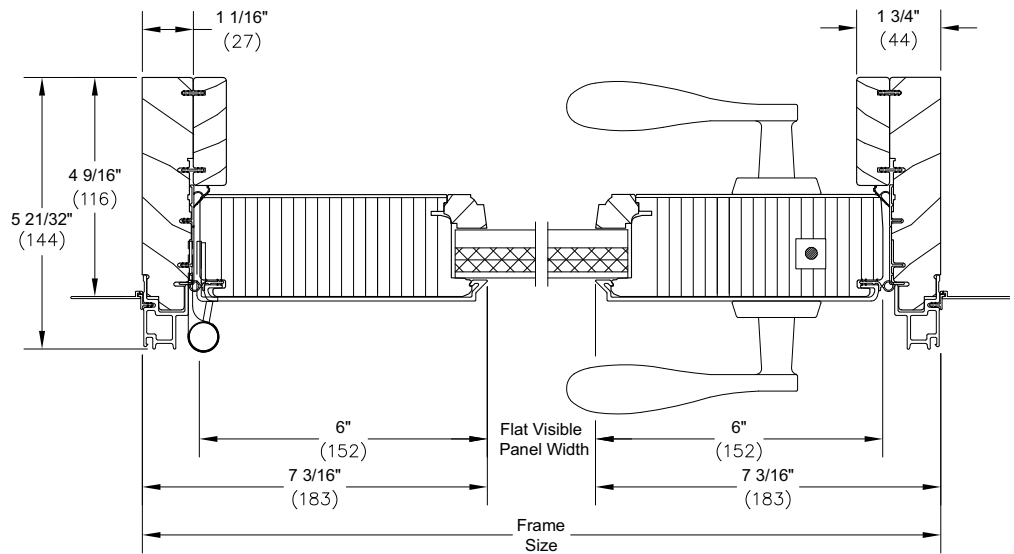
Scale: 3" = 1' 0"



Head Jamb and Sill



XX L - Meeting Stiles



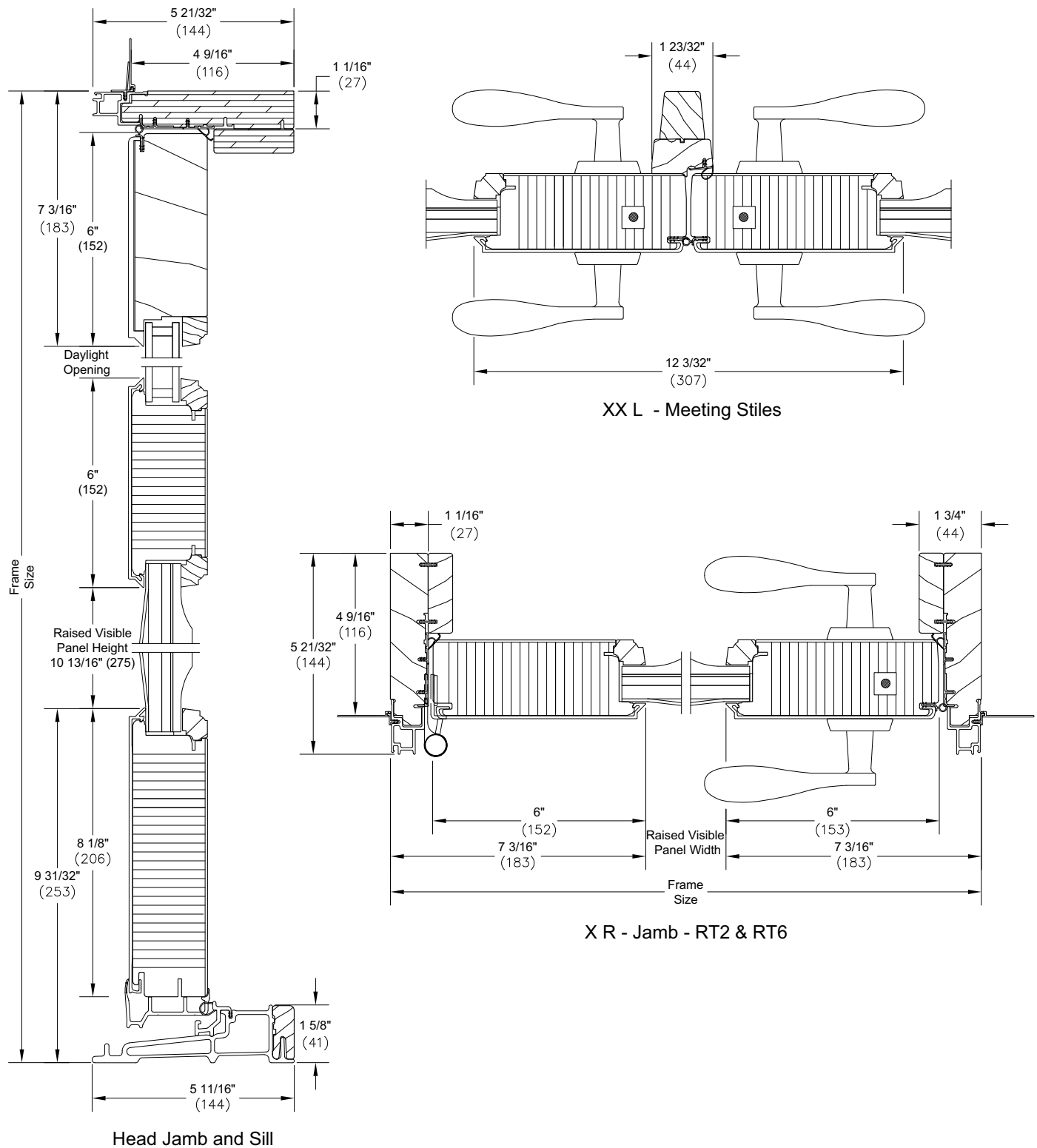
X R - Jamb - RT2 & RT6

NOTE: 2 1/4" Clad Ultimate Arch Top Outswing French Door with flat panels are not available with CE mark.

2 1/4" Clad Arch Top Swinging French Doors

Outswing Section Details: Raised Panel Placement

Scale: 3" = 1' 0"



NOTE: 2 1/4" Clad Ultimate Arch Top Outswing French Door with raised panels are not available with CE mark.