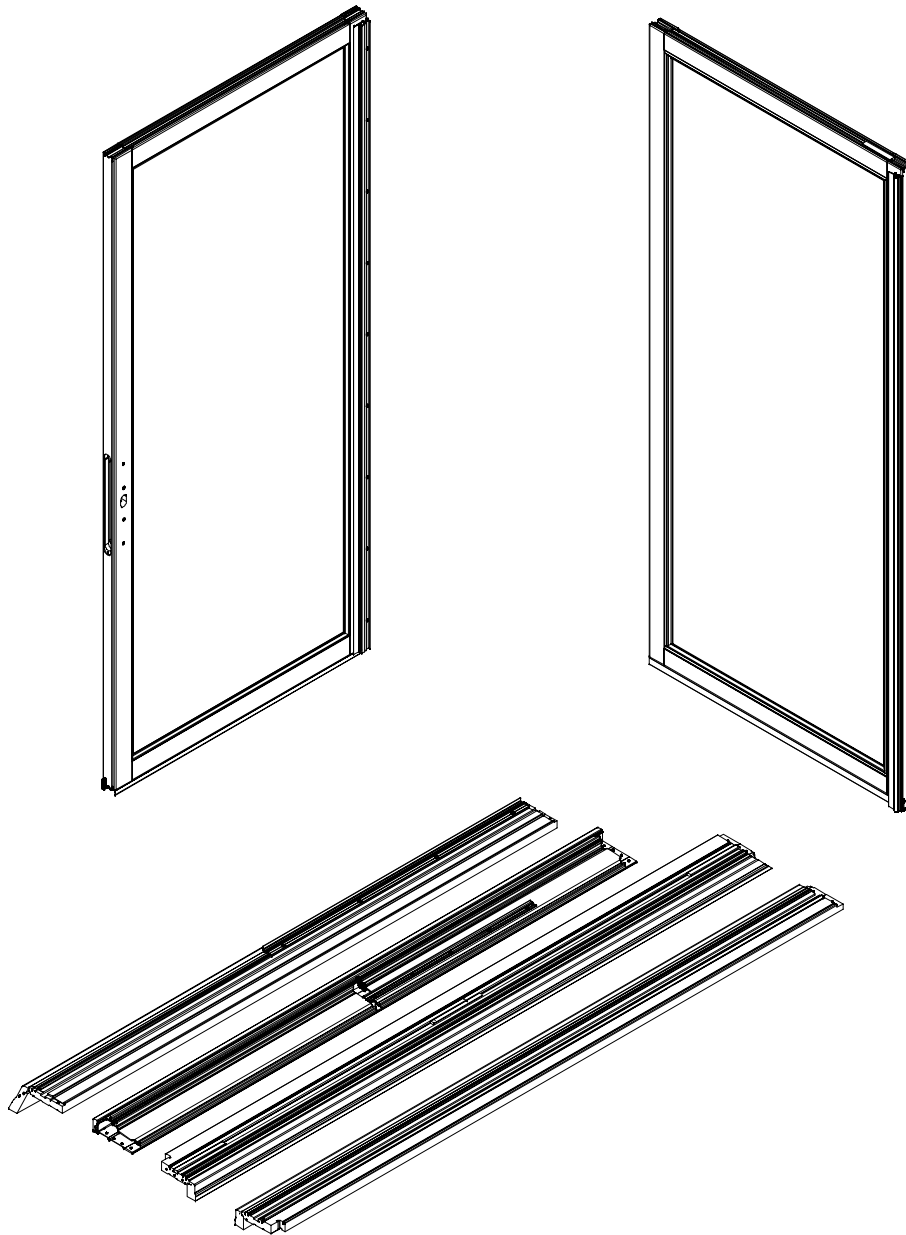


KD Wood Sliding Patio Door

Assembly Instructions



MARVIN 
Windows and Doors

Built around you.™

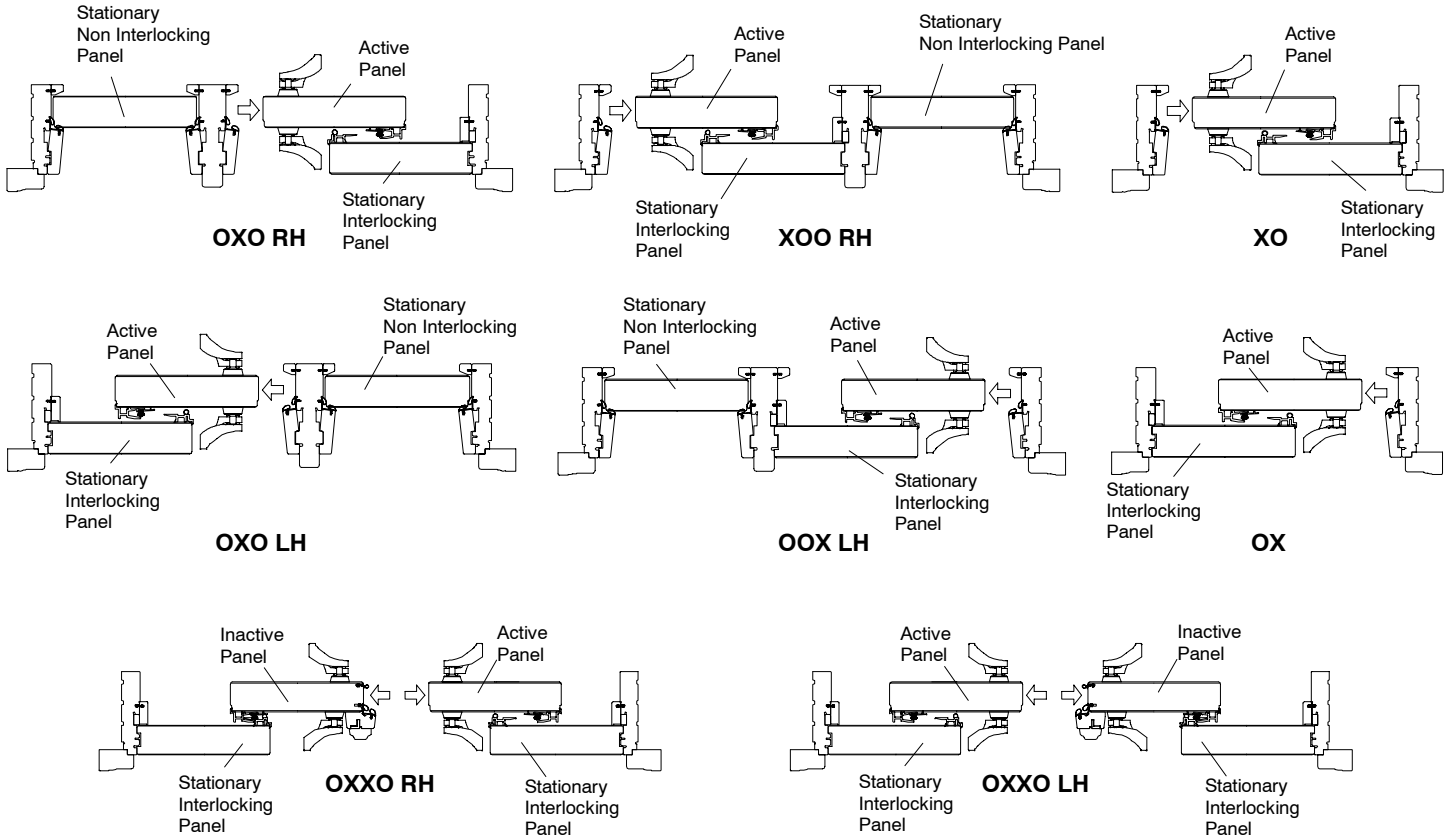
BEFORE YOU BEGIN

IMPORTANT! Read these instructions thoroughly before beginning to assemble your KD (knocked down) Wood Sliding Patio Door. In addition, after assembly is completed, it is important to follow the installation instructions provided. Failure to assemble per assembly instructions will void any warranty, written or implied.

CAUTION: Large door units may require more than one person to assemble the unit. Adequate help for the size of unit being assembled is required.

WARNING: Practice safety! Wear safety glasses or goggles when assembling a Marvin window or door product.

CONFIGURATIONS



YOU WILL NEED TO SUPPLY

Safety glasses	#2 Phillips screwdriver
Tape measure	Hammer
1 1/2" Finish nails	Rubber mallet
Drill	Wood block
Nail set	Utility knife
3/32" Drill bit	Step ladder
Masking tape	Isopropyl alcohol
Paper towels	
Grade NS 25 sealant per ASTM C920	

REPLACEMENT PARTS

If replacement parts are needed, please contact your local Marvin Windows and Doors dealer. Whenever possible, provide a part or profile number.

STANDARD PARTS SHIPPED WITH KNOCKED-DOWN WOOD SLIDING PATIO DOOR

2-wide assemblies include: 1-head jamb, 1-sill, 2-side jambs, 1 - active panel, 1 - interlocking stationary panel.

3-wide assemblies include: 1-head jamb, 1-sill, 2-side jambs, 1 - active panel, 1 - interlocking stationary panel, 1 - center jamb, 1 - non-interlocking panel.

4-wide assemblies include: 1-head jamb, 1-sill, 2-side jambs, 1 - active panel, 1 - inactive panel, 2 - interlocking stationary panels.

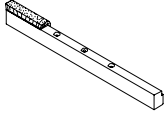
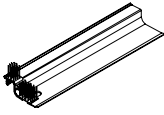
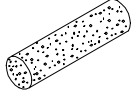
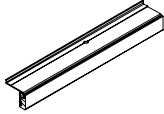
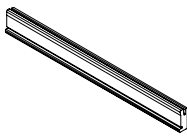
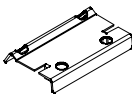
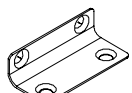
NOTE: Numbers listed in parentheses () are metric equivalents in millimeters rounded to the nearest whole number.

ATTENTION: Specifications and technical data are subject to change without notice.

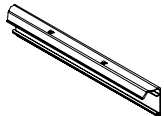
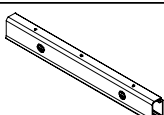
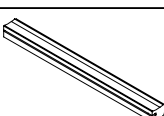
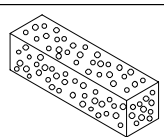
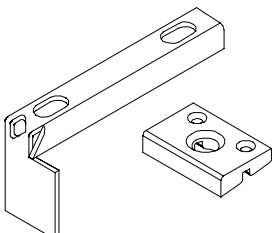
ILLUSTRATION NOT TO SCALE	DESCRIPTION	PART/PROFILE NUMBER
	Handle, Keyed	Refer to Marvin Parts Manual
	Handle, Non-Keyed	Refer to Marvin Parts Manual
	Handle, Inactive 4 Wide only	Refer to Marvin Parts Manual

Your KD Door should come with the following parts. Please check the quantities and contact your local Marvin representative if problems.

ILLUSTRATION NOT TO SCALE	DESCRIPTION	PART/PROFILE NUMBER	QUANTITY
	Wood Head Jamb Part Stop with Vinyl Weather Strip	W6535 V1194	2 Panel - 1 3 Panel - 2 4 Panel - 1
	Wood Side Jamb Part Stop with Vinyl Weather Strip	W6535 V796	2 Panel - 1 3 Panel - 3 4 Panel - N/A
	Wood Stationary Jamb Cover with Vinyl Connecting Barb	W7535 V803	2 Panel - 1 3 Panel - 1 4 Panel - 2
	Wood Jamb Liner Vinyl with Connecting Barb	W7536 V803	2 Panel - 1 3 Panel - 3 4 Panel - N/A

ILLUSTRATION <i>NOT TO SCALE</i>	DESCRIPTION	PART/PROFILE NUMBER	QUANTITY
	Wood Stationary Panel Cover with Dust Block <i>Dust block for interlocking stationary panel only (as shown)</i>	W7504	2 Panel - 1 3 Panel - 1 4 Panel - 2
	Vinyl Condensation Cover with Dust Block <i>Dust block for interlocking stationary panel only (as shown)</i>	V1131	2 Panel - 1 3 Panel - 1 4 Panel - 2
	Foam Backer Rod	10500204	One lineal length
	Header Guide with Wood Cover	A1014 W8040	One per door
	Wood Panel Guide with Tape	W8040	2 Panel - N/A 3 Panel - 1 4 Panel - N/A
	Head Jamb Bracket	11860212	2 Panel - 1 3 Panel - 1 4 Panel - 2
	Side Jamb Bracket	11841000	2 Panel - 4 3 Panel - 4 4 Panel - 8
	Wood Sliding Patio Door Installation Instructions	19970038	One per door

You will receive one of the following based on what type of screen or if no screen was ordered.

	Standard Screen Track	A1070	2 Panel - 1 3 Panel - 1 4 Panel - 2
	Ultimate Screen Track	A777	2 Panel - 1 3 Panel - 1 4 Panel - 2
	Wood Screen Track Filler	W5221	2 Panel - 1 3 Panel - 1 4 Panel - 1
	Screen Bumper Block (Ultimate only)	02540665	2 Panel - 1 3 Panel - 1 4 Panel - 2
	Screen Stop and Sill Strike Package	05700030	2 Panel - N/A 3 Panel - N/A 4 Panel - 1

For installation of your KD Sliding Patio Door, you will need a variety of screws. The quantity and type will be based on what configuration you have ordered. With your KD Sliding Patio Door you have received one of the following packages, determine which package matches your door by the description of the package.

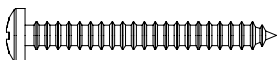
	Description	Quantity		
		2 Wide Unit Package Part Number 11800661	3 Wide Unit Package Part Number 11800662	4 Wide Unit Package Part Number 11800663
A	#7x2" Flat Head Screw	10 Total 6 - jamb to header 2 - header to jamb 2 - BMC to BMC (wood)	13 Total 6 - jamb to header 2 - header to jamb 2 - BMC to BMC (wood) 3 - center jamb	10 Total 6 - jamb to header 2 - header to jamb 2 - BMC to BMC (wood)
B	#8x3" Flat Head Screw	8 Total 2 - BMC to BMC (wood) 2 - sill to casing (wood)	12 Total 2 - BMC to BMC (wood) 2 - sill to casing (wood)	14 Total 2 - BMC to BMC (wood) 2 - sill to casing (wood)
C	#8x1 1/2" Flat Head Screw	7 Total 3 - stationary panel cover 2 - head jamb to jamb (clad) 2 - sill to jamb (clad)	8 Total 3 - stationary panel cover 2 - head jamb to jamb (clad) 1 - sill to mull casing 2 - sill to jamb (clad)	10 Total 6 - stationary panel cover 2 - head jamb to jamb (clad) 2 - sill to jamb (clad)
D	Corner Keys	2 Total 2 - top corner of frame (clad)	2 Total 2 - top corner of frame (clad)	2 Total 2 - top corner of frame (clad)
E	#8x3" Pan Head Screw	10 Total 6 - sill to jamb 4 - jamb strike	13 Total 6 - sill to jamb 4 - jamb strike 3 - center jamb	6 Total 6 - sill to jamb
F	#8x1 1/2" Pan Head Screw	4 Total 2 - bumper block 2 - sill liner to jamb	5 Total 2 - bumper block 2 - sill liner to jamb 1 - sill liner to center jamb	6 Total 4 - bumper block 2 - sill liner to jamb
G	Sill Gasket (pair)	1 Total 1 - sill to frame	2 Total 1 - sill to frame 1 - sill to center jamb	1 Total 1 - sill to frame
H	#8x1" Flat Head Screw	8 Total 4 - panel guide to head jamb 2 - head jamb bracket to interlock panel 2 - head jamb bracket to head jamb	8 Total 4 - panel guide to head jamb 2 - head jamb bracket to interlock panel 2 - head jamb bracket to head jamb	16 Total 8 - panel guide to head jamb 4 - head jamb bracket to interlock panel 4 - head jamb bracket to head jamb
I	Bumper Block	2 Total 2 - head and sill	2 Total 2 - head and sill	4 Total 4 - head jamb and sill
J	Rubber Bumper	2 Total 2 - bumper block	2 Total 2 - bumper block	4 Total 4 - bumper block
K	#7x5/8" Self Tapping Screw	6 Total 4-6 - screen track	6 Total 4-6 - screen track	12 Total 12 - screen track
L	#7x5/8" Flat Head Screw	8 Total 8 - side jamb bracket to jamb	8 Total 8 - side jamb bracket to center jamb (or) 8 - side jamb bracket to jamb	16 Total 8 - side jamb bracket to left jamb 8 - side jamb bracket to right jamb
M	#7x1 1/4" Flat Head Screw	8 Total 8 - side jamb bracket to interlock panel	8 Total 8 - side jamb bracket to interlock panel	16 Total 8 - side jamb bracket to left interlock panel 8 - side jamb bracket to right interlock panel



A - #7x2" flat head screw



C - #8x1 1/2" flat head screw



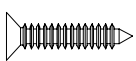
F - #8x1 1/2" pan head screw



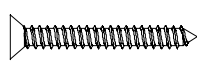
H - #8x1" flat head screw



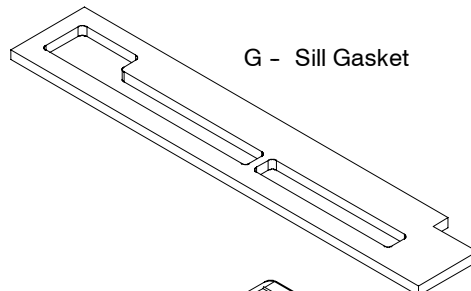
L - #7x5/8" flat head screw



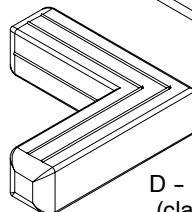
K - #7x5/8" self tapping flat head screw



M - #7x1 1/4" flat head screw



G - Sill Gasket



D - Corner keys (clad units only)



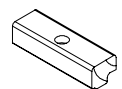
B - #8x3" flat head screw



E - #8x3" pan head screw



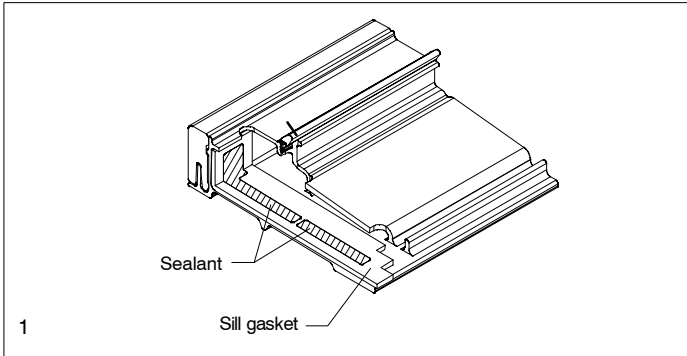
J - Rubber bumper (02101000) - Beige (02101006) - Black



I - Bumper block (75151605)

ASSEMBLING THE DOOR FRAME

1. Lay the vertical jambs, head jamb and sill on a flat, level surface exterior side of the unit facing down.
2. Apply the sill gasket to bottom of the sill as shown. Fill the open areas of the gasket with sealant, making sure no voids are left uncovered. See illustration 1.

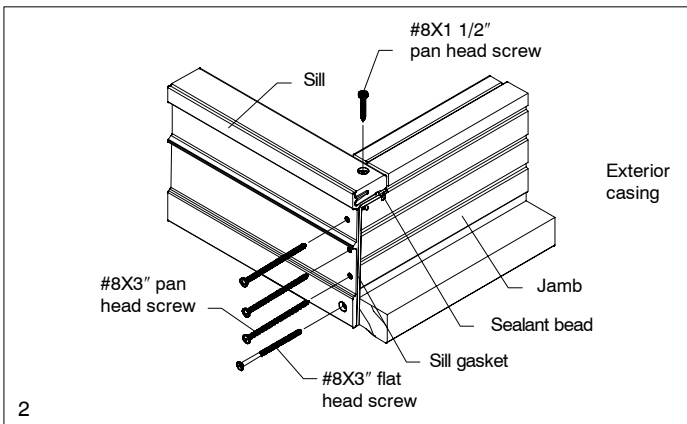


3. Now connect the jamb with the sill. Ensure the interior side of the jamb is completely butted against the sill. See illustration 2.

NOTE: To prevent water leaks, be certain the jamb is aligned with the sill liner and butted against the sill.

4. Drill 1" (25) through the predrilled hole in the sill liner into the jamb with a 3/32" drill bit. Fasten the sill liner to the jamb with a #8 X 1 1/2" Phillips pan head screw "F". See illustration 2.

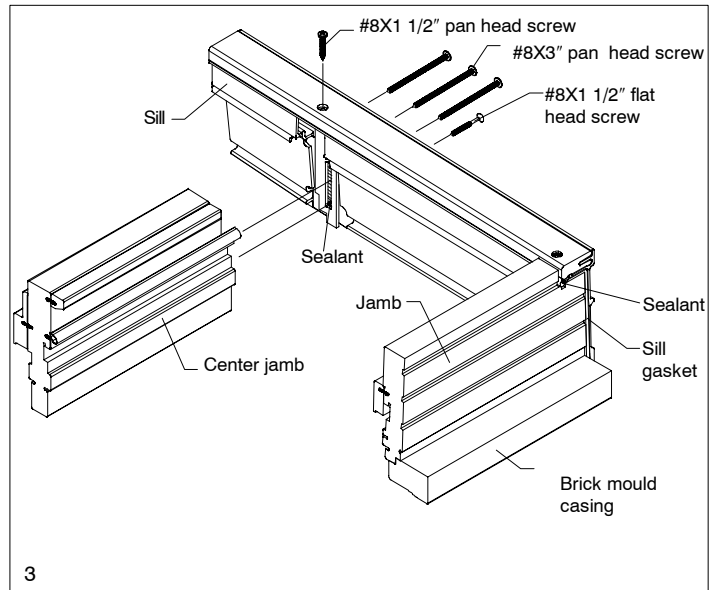
For three wide units, an additional screw is applied through the sill liner into center jamb.



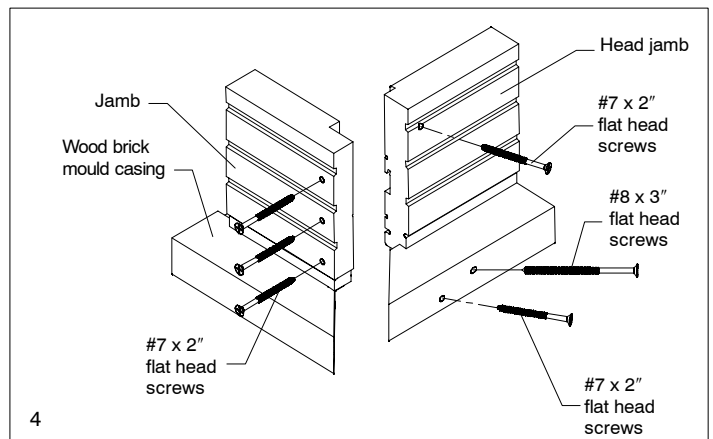
5. Using the predrilled holes in the sill, drill through the sill and into the side jamb approximately 3" (76) with a 3/32" drill bit. Beginning with the hole closest to the sill liner, fasten the sill to the side jamb with #8 X 3" Phillips **pan head** screws "E". Fasten the sill to the jamb casing with #8 X 3" Phillips flat head screw "B".

NOTE: For three wide units, follow step 8. For two wide and four wide units, skip to step 9.

6. **For 3 wide units** predrill with a 3/32" drill bit into the center jamb and mull casing through the holes in the sill. Apply sealant and fasten the sill to the center jamb with three #8X3" **pan head** screws "E". See illustration 3.

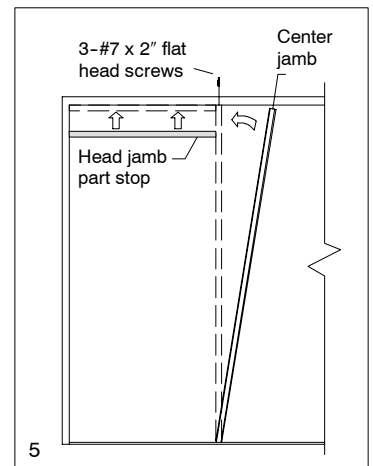


7. Attach head jamb to side jambs using #7X2" Phillips flat head screws "A". Attach side jamb to head jamb using #7 x 2" flat head screws "A". See illustration 4. Repeat for the second jamb.
8. Fasten the corners of top brick mould casing through the predrilled holes using #8X3" "B" and #7x2" "A" Phillips flat head screws. See illustration 4.



NOTE: For three wide units follow step 11. For two wide and four wide units proceed to step 13.

9. For **three wide units** install the longest exterior head jamb part stop on the non-interlocking panel frame and fasten with 1 1/2" finishing nails spaced 8" apart. Align the center jamb up against the header and fasten with 3 #7 x 2" flat head screws "A". See illustration 5.



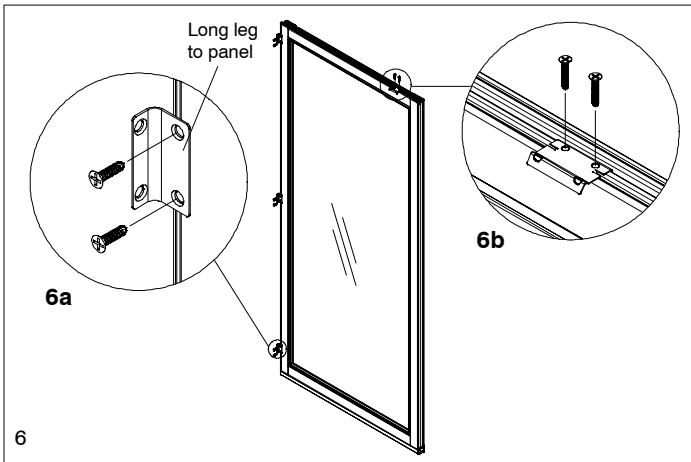
- With help, stand frame up to vertical position. For ease of assembly temporarily install unit into opening and fasten the top corner to the structure.

WARNING: Large door units may be very heavy and awkward to handle. It is important to obtain adequate assistance to avoid injury when handling the unit.

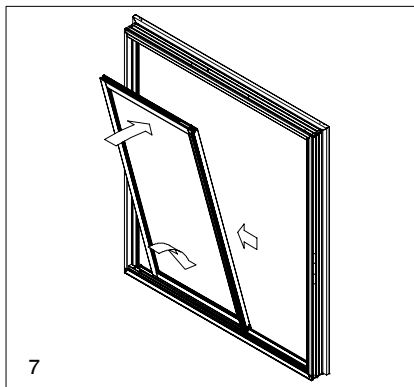
INSTALLING INTERLOCKING STATIONARY PANEL

NOTE: For four wide units, follow steps 13-18 for the first stationary panel and then repeat these steps for the second stationary panel.

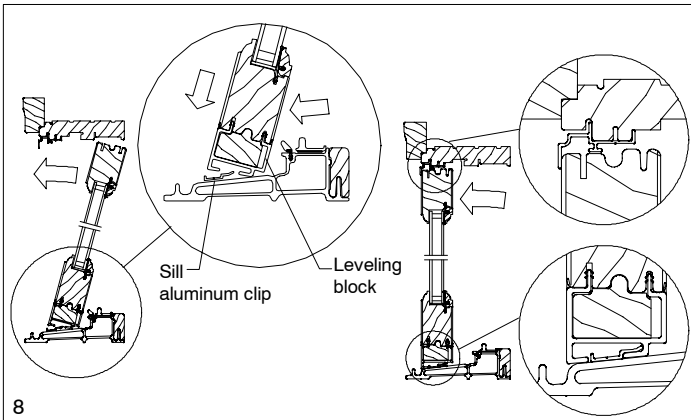
- Fasten 3 (4 on 8-0) side jamb brackets to the jamb side of the interlock panel through the predrilled holes with "M" #7x1 1/4" flat head screws. See illustration 6a.
- Fasten Stationary head jamb bracket through predrilled holes to the interlock panel with "H" #8x1" flat head screws. For placement of the screws see illustration 6b.



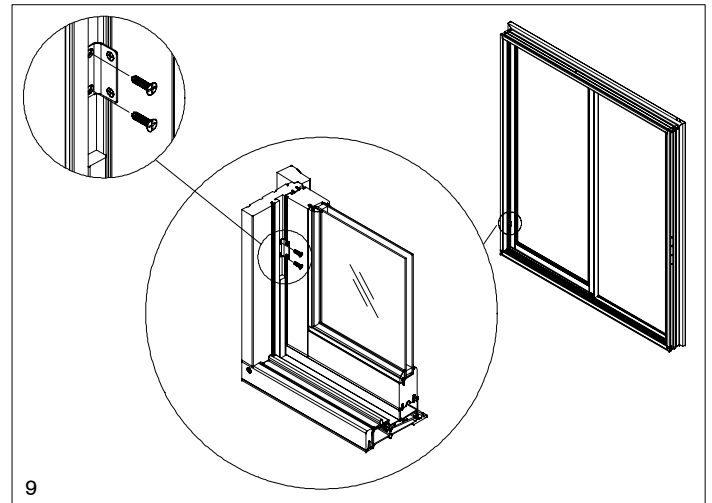
- From the interior, place the stationary interlocking panel 6" away from the jamb at an approx. 75 degree angle. See illustration 7.



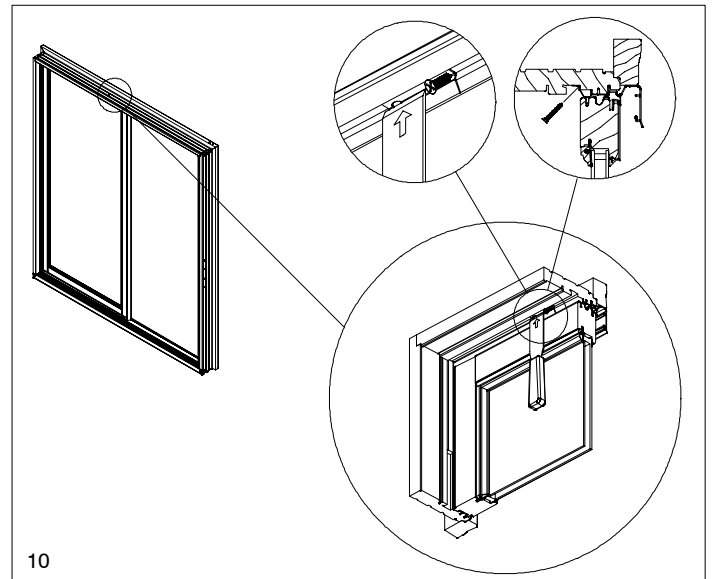
- Push the bottom of the panel outward and gradually tilt panel to the upright position. Press the panel outward ensuring that the flange on the panel leveling block has fully seated into the sill clip and slide panel to the vertical jamb. See illustration 8.



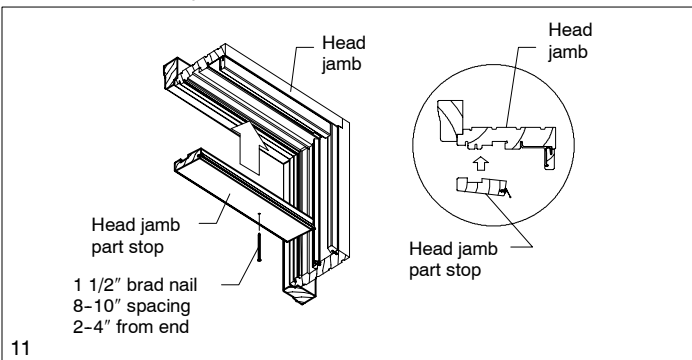
- Fasten the interlock side jamb brackets to the side jamb (or center jamb) with two "L" #7x5/8" flat head screws. See illustration 9.



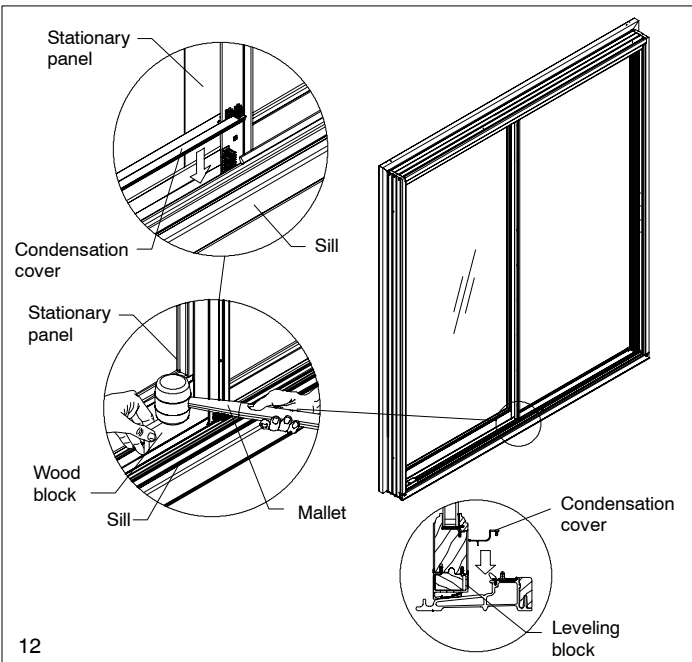
- Use a stiff putty knife to bend the head jamb bracket into place. See illustration 10. Fasten the head jamb bracket to the head jamb with two "H" #8x1" flat head screws placed at a 45° angle. See illustration 10.



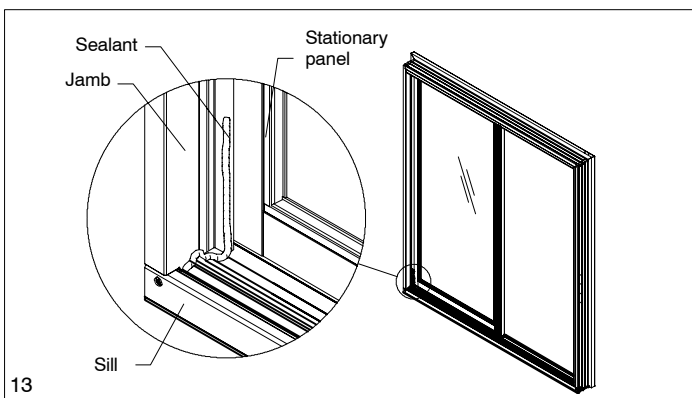
17. Install active panel exterior head jamb part stop followed by the exterior jamb part stop. See illustration 11.



18. Insert dust block end of condensation cover under interlock and slide into place. Tap until seated with a wood block and rubber mallet. See illustration 12.

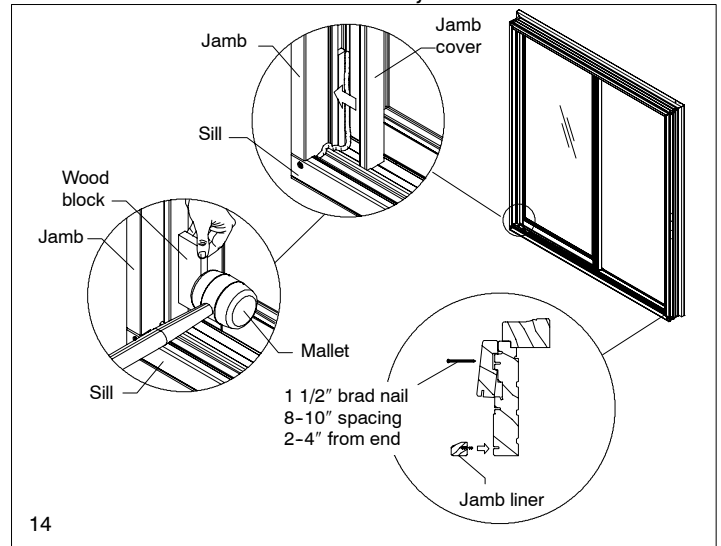


19. On interlocking stationary panels, start at the interior edge of the Ultrex sill jamb joint and apply a 3/16" to 1/4" bead of sealant towards the stationary panel and up 8-10" (203-254) along the panel/jamb seam. See illustration 13. Apply to interlocking side of the center jamb if working with XO0 or OOX configurations.



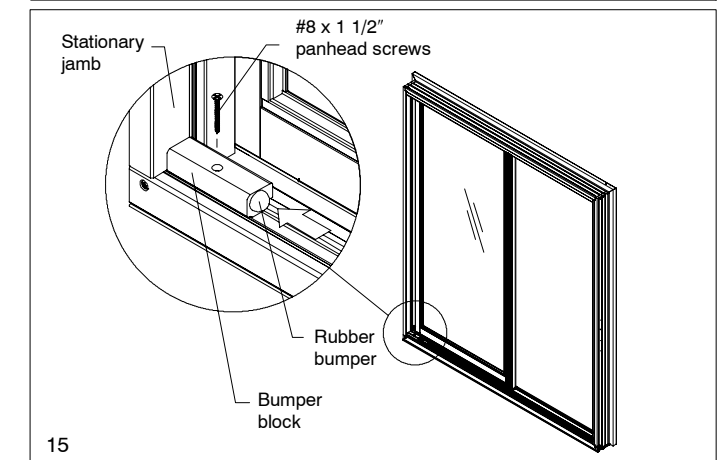
20. Attach wood interior stationary jamb cover(s). Install wood interior jamb liner, bevel side towards panel. See illustration 14.

NOTE: Four wide units will not have a jamb liner.

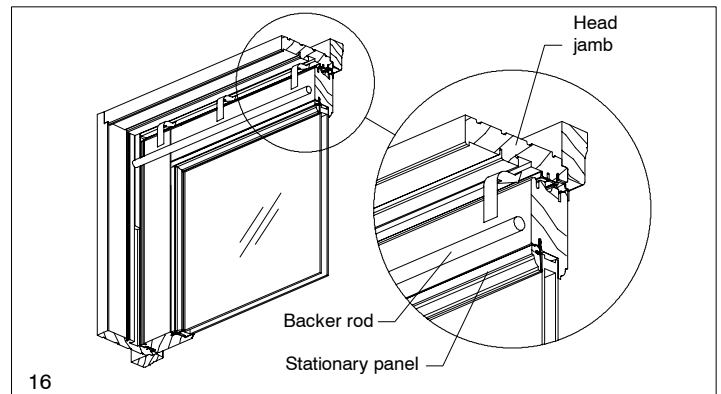


21. Place the sill bumper block against stationary jamb. Mark the drill bit at 1 1/4" (32) to ensure you will not drill through the base of the sill. Using the hole in the bumper block, predrill into the sill using a 3/32" drill bit. Fasten with #8 X 1 1/2" pan head screw "F". **Do not drill through the bottom layer of the sill.** Apply rubber bumper to the end of the bumper block. See illustration 15.

NOTE: The top bumper will be secured after the operating panel has been installed. This will be covered in the Wood Sliding Patio Door installation instructions.

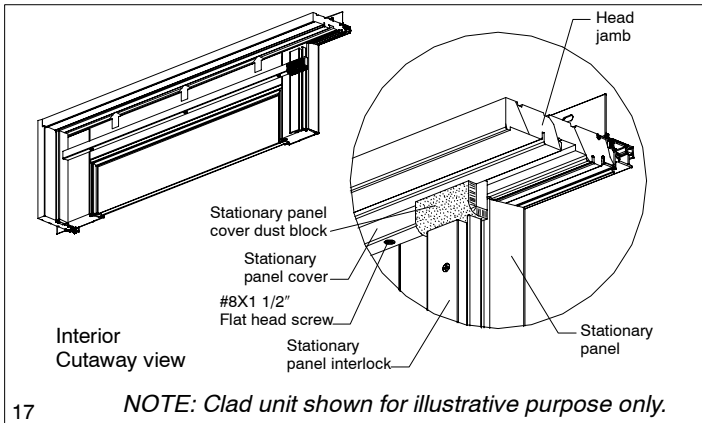


22. Cut the length of the backer rod the width of the stationary panel(s). Insert the backer rod between the top rail and the head jamb. Notch out backer rod around head jamb bracket. See illustration 16.



23. Insert stationary cover dust block end over interlock and slide into place. Fasten the stationary cover(s) into the head jamb with three #8X1 1/2" flat head screws "C" into the predrilled holes. See illustration 17.

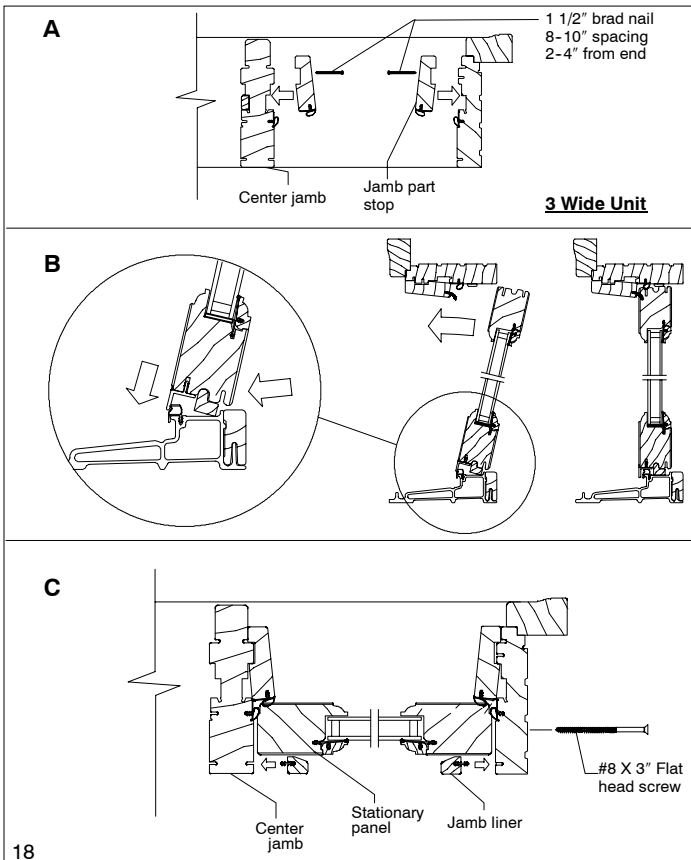
NOTE: Four wide units will have two stationary covers.



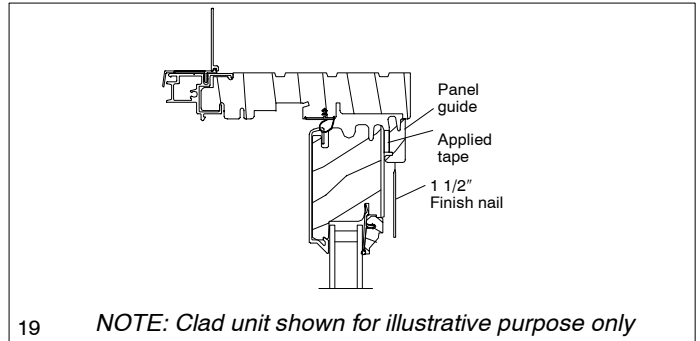
NOTE: For three wide units continue with step 26. For two and four wide units, proceed to step 30.

INSTALLING NON-INTERLOCKING STATIONARY PANEL (OXO CONFIGURATION)

24. Install exterior jamb part stops up tight against head jamb part stop. See illustration 18a. Install the non-interlocking stationary panel from the interior by tilting the panel inward and placing the bottom of the panel onto the top of the sill. Tilt the panel into a vertical position against the head jamb part stop. See illustration 18b. Press in interior wood jamb liners (bevel side toward panel) and secure the panel into place with three #8 x 3" flat head screws "B" through the predrilled holes in the side jamb. See illustration 18c.



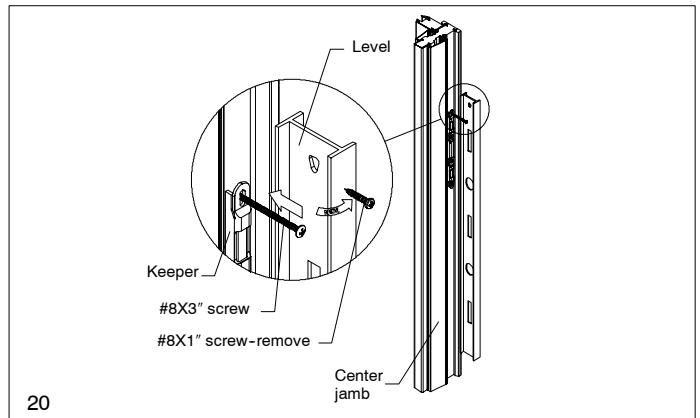
25. Attach the wood panel guide (with its applied tape) to the three wide non-interlocking panel. Fasten with 1 1/2" (37) finishing nails every 8" (203).



INSTALLING JAMB STRIKE (OXO CONFIGURATION)

*NOTE: For all other configurations refer to **Installing Jamb Strike** in the Sliding Patio Door installation instructions.*

26. Remove the top shipping screw from the jamb strike. Hold a straight-edge against the center jamb and replace the screw with one of the supplied #8X3" pan head screws "E". Tighten the screw while sighting along the straight-edge to make sure not to bow the center jamb. See illustration 20.

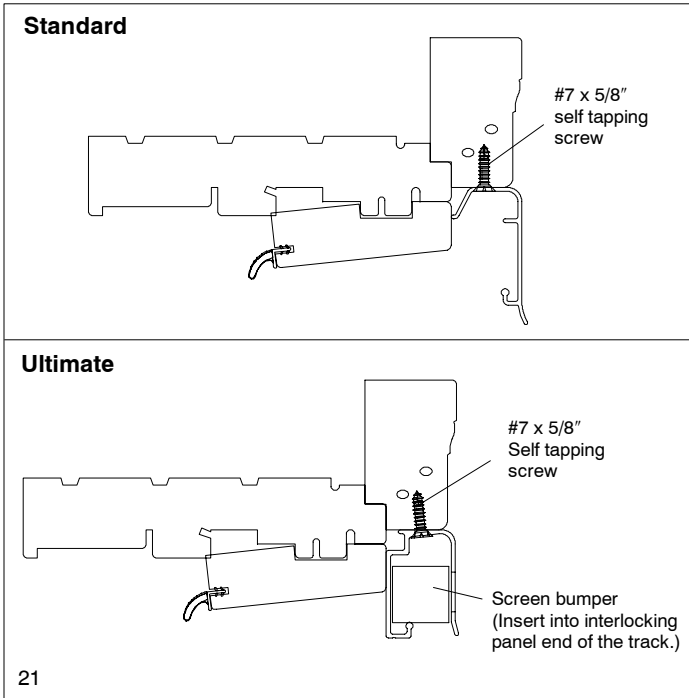


27. Follow the same procedure to replace the remaining three screws.

NOTE: Adjustment of jamb strike may be necessary. See the Wood Sliding Patio Door installation instructions for more information.

SCREEN TRACK INSTALLATION

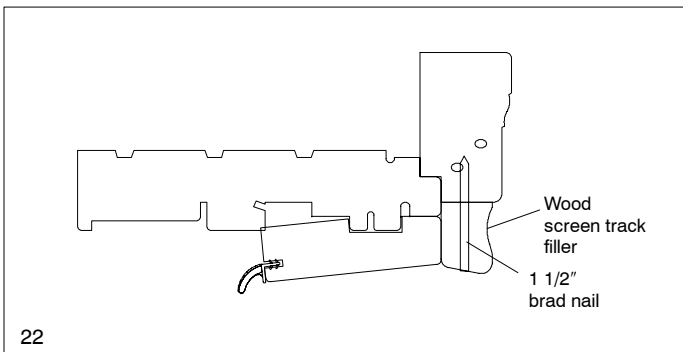
28. Place the screen track up into the head jamb above the active panel(s) and interlocking panel(s). Fasten the track to the head jamb with #7X5/8" self tapping flat head screws "K" through the pre-drilled holes in the screen track. The screen bumper is applied to the Ultimate screen only. See illustration 21.



NOTE: The screen instructions will cover the proper installation of the screen onto the track.

WOOD SCREEN TRACK FILLER INSTALLATION

29. Place wood screen track filler up against exterior casing and fasten with 1 1/2" brad nails every 8" (203). See illustration 22.



30. Refer to the Wood Sliding Patio Door Installation Instructions to complete the installation and assembly of the door. The Sliding Patio Door Installation Instructions will include the proper installation of the inactive panel (for 4 panel doors) and active panel (for all doors) and will take into account the placement of the header guide with wood cover, the head jamb bumper block with rubber bumper, and the wood plugs included in your KD package.