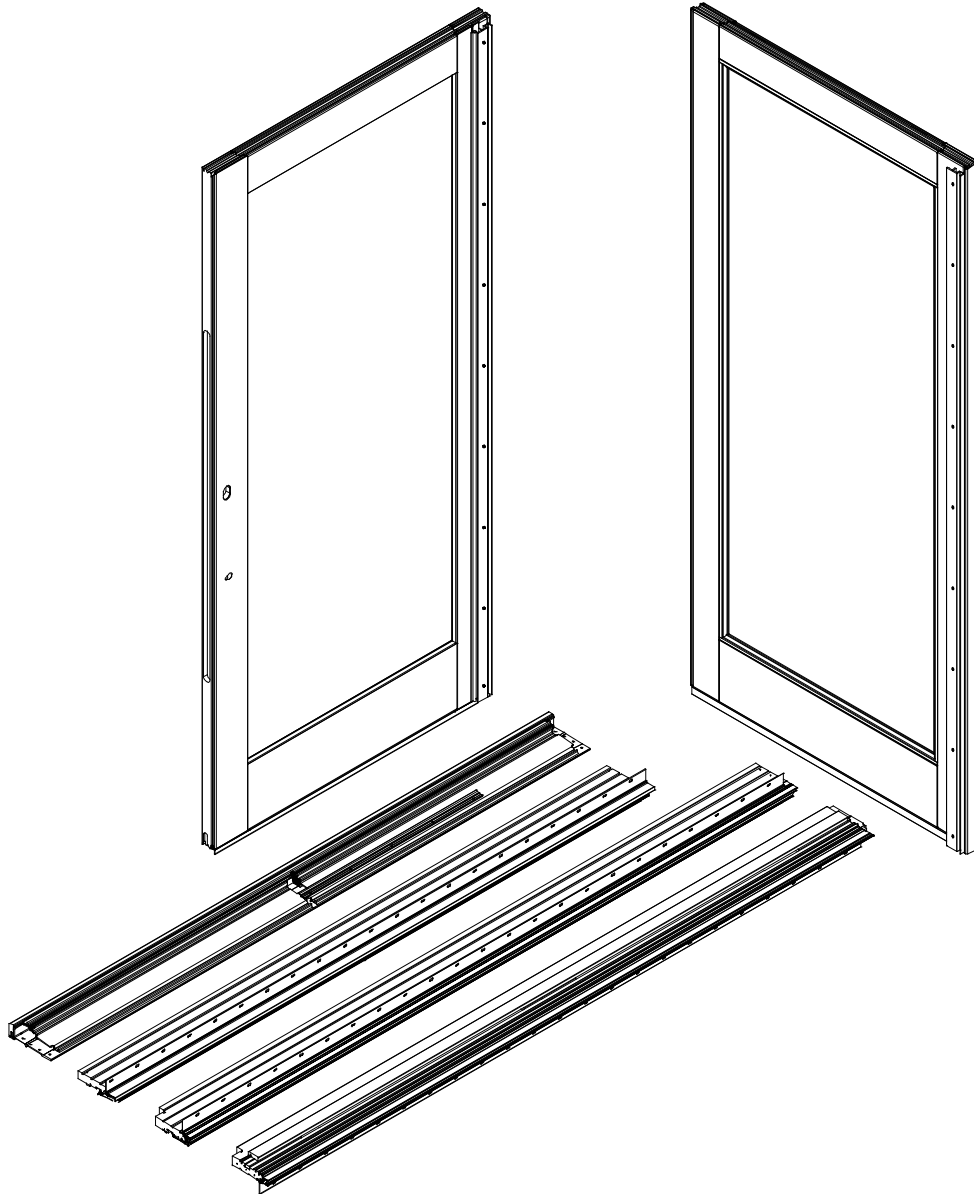


KD Clad Sliding French Door

Assembly Instructions



MARVIN 
Windows and Doors

Built around you.®

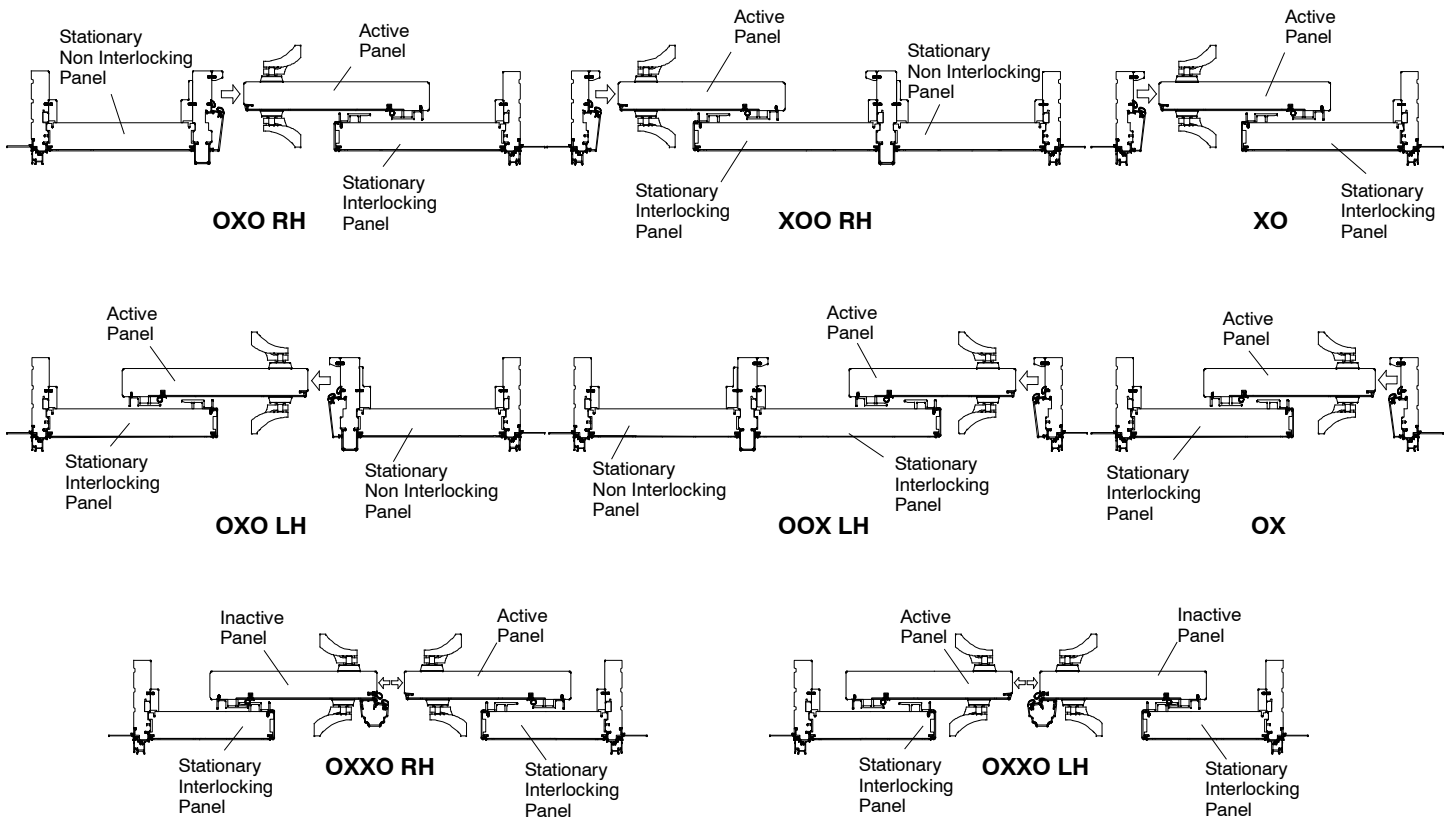
BEFORE YOU BEGIN

IMPORTANT! Read these instructions thoroughly before beginning to assemble your KD (knocked down) Clad Sliding French Door. In addition, after assembly is completed, it is important to follow the installation instructions provided. Failure to assemble as recommended will void any warranty, written or implied.

CAUTION: Large door units may require more than one person to assemble the unit. Adequate help for the size of unit being assembled is required.

WARNING: Practice safety! Wear safety glasses or goggles when assembling a Marvin window or door product.

CONFIGURATIONS



YOU WILL NEED TO SUPPLY

Safety glasses	#2 Phillips screwdriver
3/32" Drill bit	Step ladder
Standard screwdriver	Tape measure
Hammer	Wood block
Rubber mallet	Drill
Utility knife	Masking tape
Isopropyl alcohol	
Grade NS 25 sealant per ASTM C920	

REPLACEMENT PARTS

If replacement parts are needed, please contact your local Marvin Windows and Doors dealer. Whenever possible, provide a part or profile number.

STANDARD PARTS SHIPPED WITH KD CLAD SLIDING FRENCH DOOR

2- wide assemblies include: 1- head jamb, 1- sill, 2- side jambs, 1 - active panel, 1 - interlocking stationary panel.

3- wide assemblies include: 1- head jamb, 1- sill, 2- side jambs, 1 - active panel, 1 - interlocking stationary panel, 1 - center jamb, 1 - non- interlocking stationary panel.

4- wide assemblies include: 1- head jamb, 1- sill, 2- side jambs, 1 - active panel, 1 - inactive panel, 2 - interlocking stationary panels.

NOTE: Numbers listed in parentheses () are metric equivalents in millimeters rounded to the nearest whole number.

ATTENTION: Specifications and technical data are subject to change without notice.

ILLUSTRATION NOT TO SCALE	DESCRIPTION	PART/PROFILE NUMBER
	Handle, Non-Keypad	Refer to Marvin Parts Manual
	Handle, Keypad	Refer to Marvin Parts Manual
	Handle, Inactive 4 Wide only	Refer to Marvin Parts Manual

Your KD Door should come with the following parts. Please check the quantities and contact your local Marvin Representative if problems.

ILLUSTRATION NOT TO SCALE	DESCRIPTION	PART/PROFILE NUMBER	QUANTITY
	Clad Head Jamb Part Stop with Vinyl Weather Strip	A836 V1194	2 Panel - 1 3 Panel - 1 4 Panel - 1
	Clad Side Jamb Part Stop with Vinyl Weather Strip	A836 V796	2 Panel - 1 3 Panel - 1 4 Panel - N/A
	Wood Stationary Jamb Cover with Vinyl Connecting Barb	W7535 V803	2 Panel - 1 3 Panel - 2 4 Panel - 2
	Wood Jamb Liner with Vinyl Connecting Barb	W7536 V803	2 Panel - 1 3 Panel - 1 4 Panel - N/A


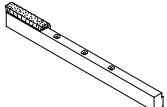
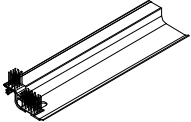
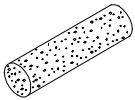

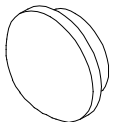
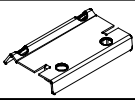
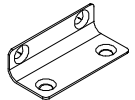
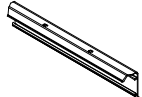
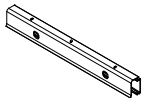

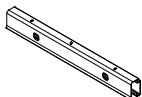
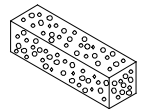
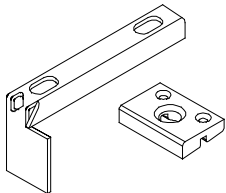
ILLUSTRATION <i>NOT TO SCALE</i>	DESCRIPTION	PART/PROFILE NUMBER	QUANTITY
	Center Jamb Cover with Vinyl Connecting Barb	W7536 V803	2 Panel - N/A 3 Panel - 1 4 Panel - N/A
	Wood Stationary Panel Cover with Dust Block <i>Dust block for interlocking stationary panel only (as shown)</i>	W7504	2 Panel - 1 3 Panel - 2 4 Panel - 2
	Vinyl Condensation Cover with Dust Block <i>Dust block for interlocking stationary panel only (as shown)</i>	V1131	2 Panel - 1 3 Panel - 2 4 Panel - 2
	Foam Backer Rod	10500204	One lineal length
	Header Guide with Wood Cover	A1014 W8040	2 Panel - 1 3 Panel - 2 4 Panel - 1
	Roller Adjustment and Bumper Block Plug	01060619	2 Panel - 4 3 Panel - 4 4 Panel - 8
	Head Jamb Bracket	11860212	Standard - 2 IZ3/HP - 4
	Side Jamb Bracket	11841000	Less than 8' ht Standard 2 Panel - 4 3 Panel - 8 4 Panel - 8 Less than 8' ht IZ3/HP 2 Panel - 6 3 Panel - 12 4 Panel - 12 8' ht and greater Standard 2 Panel - 5 3 Panel - 10 4 Panel - 10 8' ht and greater IZ3/HP 2 Panel - 7 3 Panel - 14 4 Panel - 14
	Clad Sliding French Door Installation Instructions	19970015	One per door

ILLUSTRATION <i>NOT TO SCALE</i>	DESCRIPTION	PART/PROFILE NUMBER	QUANTITY
<i>You will receive one of the following based on what type of screen or if no screen was ordered.</i>			
	Standard Screen Track	A1070	2 Panel - 1 3 Panel - 2 4 Panel - 2
	Screen Track Filler	A777	2 Panel - N/A 3 Panel - 1 4 Panel - N/A
	Secondary Screen Track	A1070	2 Panel - 1 3 Panel - 1 4 Panel - N/A
	Ultimate Screen Track	A777	2 Panel - 1 3 Panel - 2 4 Panel - 2
	Screen Bumper Block (Ultimate only)	02540665	2 Panel - 1 3 Panel - 1 4 Panel - 2
	Screen Stop and Sill Strike Package	05700030	2 Panel - N/A 3 Panel - N/A 4 Panel - 1

For installation of your KD Sliding French Door, you will need a variety of screws. The quantity and type will be based on your Configuration. You have received one of the following packages, determine which package matches your door by the description.

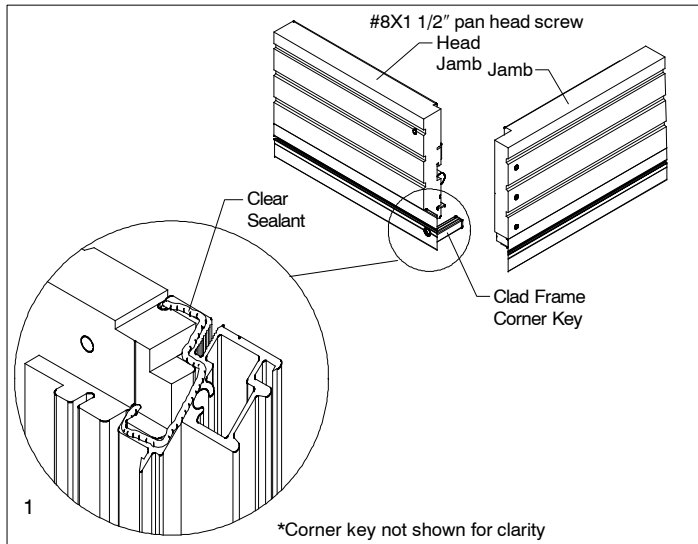
Part Number	Component	2 Wide Unit Package Part Number 11800661	2 Wide IZ3/HP Unit Package Part Number 1186090	3 Wide Standard Unit Package Part Number 11800662
11800720 A	#7 x 2" Flat Head Screw	6 - Jamb to Header 2 - Header to Jamb 2 - BMC to BMC (wood)	6 - Jamb to Header 2 - Header to Jamb 2 - BMC to BMC (wood)	6 - Jamb to Header 2 - Header to Jamb 2 - BMC to BMC (wood)
11800810 B	#8 x 1" Flat Head Screw	4 - Panel Guide to Header 4- Head to Jamb Bracket to Stationary Panel 4- Head Jamb Bracket to Header	8- Head to Jamb Bracket to Stationary Panel 8- Head Jamb Bracket to Header	7- Panel Guide to Header 8- Head to Jamb Bracket to Stationary Panel 8- Head Jamb Bracket to Header
11800831 C	#8 x 3" Pan Head Screw	6 - Sill to Jamb	6 - Sill to Jamb	6 - Sill to Jamb
11800903 D	#8 x 3" Flat Head Screw	2 - BMC to BMC (Wood) 2 - Sill to Casing (Wood)	2 - BMC to BMC (Wood) 2 - Sill to Casing (Wood)	2 - BMC to BMC (Wood) 2 - Sill to Casing (Wood) 6- Center Jamb to Stationary Panel
11865159 E	#8 x 1 1/2" Pan Head Screw	2 - Bumper Block 2- Sill Liner to Jamb	2 - Bumper Block 2- Sill Liner to Jamb	2 - Bumper Block 2- Sill Liner to Jamb 1- Center Jamb to Sill
11881129 F	#8 x 1 1/2" Flat Head Screw	3- Stationary Panel Cover to Head Jamb 2- Head Jamb to Jamb (Clad) 2- Sill to Jamb (Clad)	3- Stationary Panel Cover to Head Jamb 2- Head Jamb to Jamb (Clad) 2- Sill to Jamb (Clad)	6- Stationary Panel Cover to Head Jamb 2- Head Jamb to Jamb (Clad) 2- Sill to Jamb (Clad)
15224515 G	Frame Corner Key	2- Top Corner of Frame (Clad)	2- Top Corner of Frame (Clad)	2- Top Corner of Frame (Clad)
15600215 H	Sill Gasket	1 pair- Sill to Frame	1 pair- Sill to Frame	1 pair- Sill to Frame
11807113 I	#7 x 1 1/4" Flat Head Screw	10 - Side Jamb Bracket to Stationary Panel	14 - Side Jamb Bracket to Stationary Panel	20 - Side Jamb Bracket to Stationary Panel
11800758 J	#7 x 5/8" Flat Head Screw	10 - Side Jamb Bracket to Frame	14 - Side Jamb Bracket to Frame	20 - Side Jamb Bracket to Frame
2101000 K	Bumper	2- Black is optional (02101006)	2- Black is optional (02101006)	2- Black is optional (02101006)
7511605 L	Bumper Block	Bumper Block	Bumper Block	2- Bumper Blocks
11800162 M	1 5/8" Washer Head Screw	2- Jamb to Sill	2- Jamb to Sill	2- Jamb to Sill
5080311 N	Washer	N/A	N/A	3- Used with center jamb to panel screws
11800246 O	#8- 15 X 3/4" Type A/TEK- 2 Bronze	N/A	N/A	N/A
11800245 P	#8- 15 X 3/4" Type A/TEK- 2 Cashmere	N/A	N/A	N/A

For installation of your KD Sliding French Door, you will need a variety of screws. The quantity and type will be based on your Configuration. You have received one of the following packages, determine which package matches your door by the description.

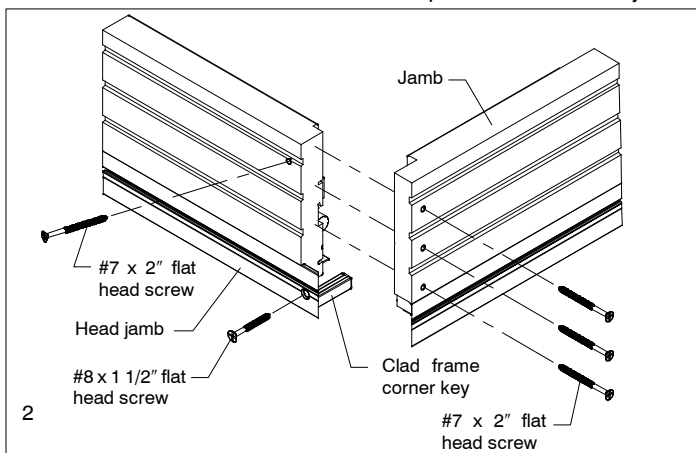
Part Number	Component	3 Wide IZ3 and HP Unit Package Part Number 11800961	4 Wide Standard Unit Package Part Number 11800663	4 Wide IZ3/HP Unit Package Part Number 11800692
11800720 A	#7 x 2" Flat Head Screw	6 - Jamb to Header 2 - Header to Jamb 2 - BMC to BMC (wood)	6 - Jamb to Header 2 - Header to Jamb 2 - BMC to BMC (wood)	6 - Jamb to Header 2 - Header to Jamb 2 - BMC to BMC (wood)
11800810 B	#8 x 1" Flat Head Screw	8 - Head Jamb Bracket to Stationary Panel 8 - Head Jamb Bracket to Header	8 - Panel Guide to Header 4 - Head Jamb Bracket to Stationary Panel 4 - Head Jamb Bracket to Header	16 - Head Jamb Bracket to Stationary Panel 16 - Head Jamb Bracket to Header
11800831 C	#8 x 3" Pan Head Screw	6 - Sill to Jamb 1 - Sill Liner to Center Jamb	6 - Sill to Jamb	6 - Sill to Jamb
11800903 D	#8 x 3" Flat Head Screw	2 - BMC to BMC (Wood) 2 - Sill to Casing (Wood) 12 - Center Jamb to Stationary Panel	2 - BMC to BMC (Wood) 2 - Sill to Casing (Wood)	2 - BMC to BMC (Wood) 2 - Sill to Casing (Wood) 6 - Center Jamb to Stationary Panel
11865159 E	#8 x 1 1/2" Pan Head Screw	2 - Bumper Block 2 - Sill Liner to Jamb	4 - Bumper Block 2 - Sill Liner to Jamb	4 - Bumper Block 2 - Sill Liner to Jamb
11881129 F	#8 x 1 1/2" Flat Head Screw	6 - Stationary Panel Cover to Head Jamb 2 - Head Jamb to Jamb (Clad) 2 - Sill to Jamb (Clad)	6 - Stationary Panel Cover to Head Jamb 2 - Head Jamb to Jamb (Clad) 2 - Sill to Jamb (Clad)	6 - Stationary Panel Cover to Head Jamb 2 - Head Jamb to Jamb (Clad) 2 - Sill to Jamb (Clad)
15224515 G	Frame Corner Key	2 - Top Corner of Frame (Clad)	2 - Top Corner of Frame (Clad)	2 - Top Corner of Frame (Clad)
15600215 H	Sill Gasket	1 pair - Sill to Frame	1 pair - Sill to Frame	1 pair - Sill to Frame
11807113 I	#7 x 1 1/4" Flat Head Screw	28 - Side Jamb Bracket to Stationary Panel	20 - Side Jamb Bracket to Stationary Panel	28 - Side Jamb Bracket to Stationary Panel
11800758 J	#7 x 5/8" Flat Head Screw	28 - Side Jamb Bracket to Frame	20 - Side Jamb Bracket to Frame	28 - Side Jamb Bracket to Frame
2101000 K	Bumper	2 - Black is optional (02101006)	4 - Black is optional (02101006)	4 - Black is optional (02101006)
7511605 L	Bumper Block	2 - Bumper Blocks	4 - Bumper Block	4 - Bumper Block
11800162 M	1 5/8" Washer Head Screw	2 - Jamb to Sill	2 - Jamb to Sill	2 - Jamb to Sill
5080311 N	Washer	6 - Used with center jamb to panel screw	N/A	N/A
11800246 O	#8- 15 X 3/4" Type A/TEK- 2 Bronze	N/A	N/A	6 - Bronze Sill Cover to Sill
11800245 P	#8- 15 X 3/4" Type A/TEK- 2 Cashmere	N/A	N/A	6 - Beige Sill Cover to Sill

ASSEMBLING THE DOOR FRAME

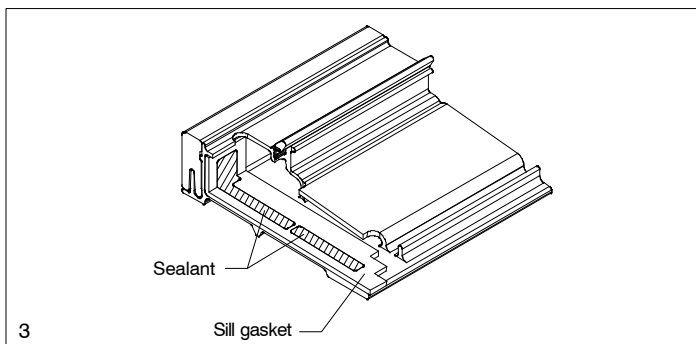
1. Lay the side jambs, head jamb and sill on a flat, level surface exterior facing down.
2. Add clear sealant at the top of the clad jamb. See illustration 1.



3. Insert the clad frame corner key into the side jamb and head jamb.
4. Fasten the corners of the head jamb cladding through the predrilled holes using "C" #8X1 1/2" Phillips flat head screws. See illustration 2.
5. Attach head jamb to side jambs using "A" #7X2" Phillips flat head screws. See illustration 2. Repeat for the second jamb.



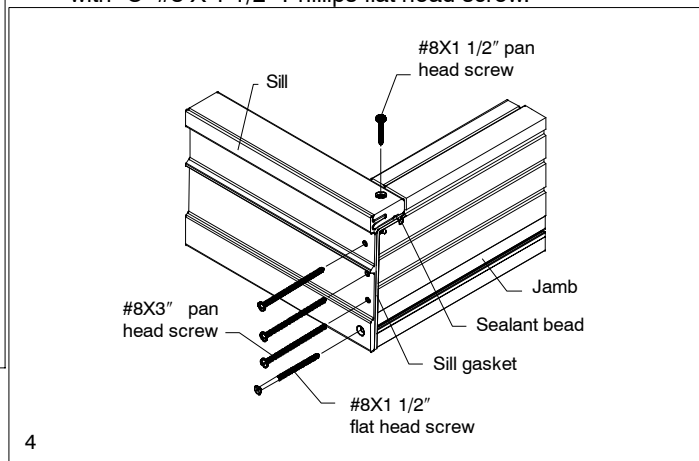
6. Apply the sill gasket to bottom of the sill as shown. Fill the open areas of the gasket with sealant, making sure no voids are left uncovered. See illustration 3.



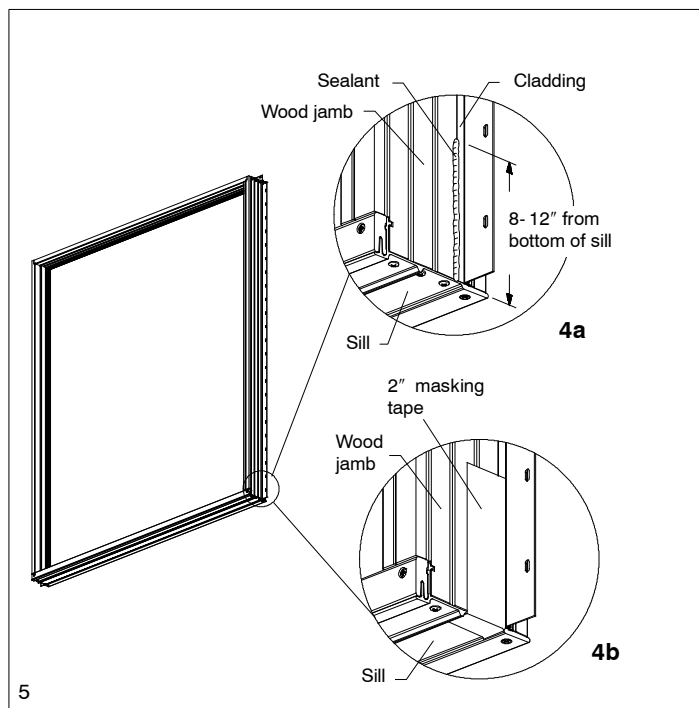
7. Now connect the jamb with the sill. Ensure the interior side of the jamb is completely butted against the sill. See illustration 4.

NOTE: To prevent water leaks, be certain the jamb is aligned with the sill liner and butted against the sill.

8. Drill with a 3/32" bit through the predrilled hole in the sill liner into the jamb. Fasten the sill liner to the jamb with a "F" #8 X 1 1/2" Phillips pan head screw.
9. Predrill with a 3/32" bit into the side jamb through the predrilled holes in the sill. Beginning with the hole closest to the sill liner, fasten the sill to the side jamb with "E" #8 X 3" Phillips pan head screws. Fasten the sill to the jamb metal with "C" #8 X 1 1/2" Phillips flat head screw.



10. Apply a bead of sealant from the bottom of the sill along the jamb up 8- 10", sealant must adhere to the Ultrex, wood and cladding joint. See illustration 5a. Cover sealant with 2" masking tape to avoid contamination. See illustration 5b.

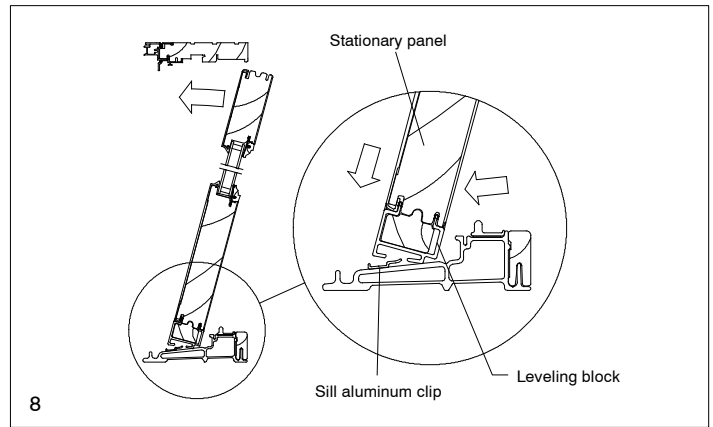
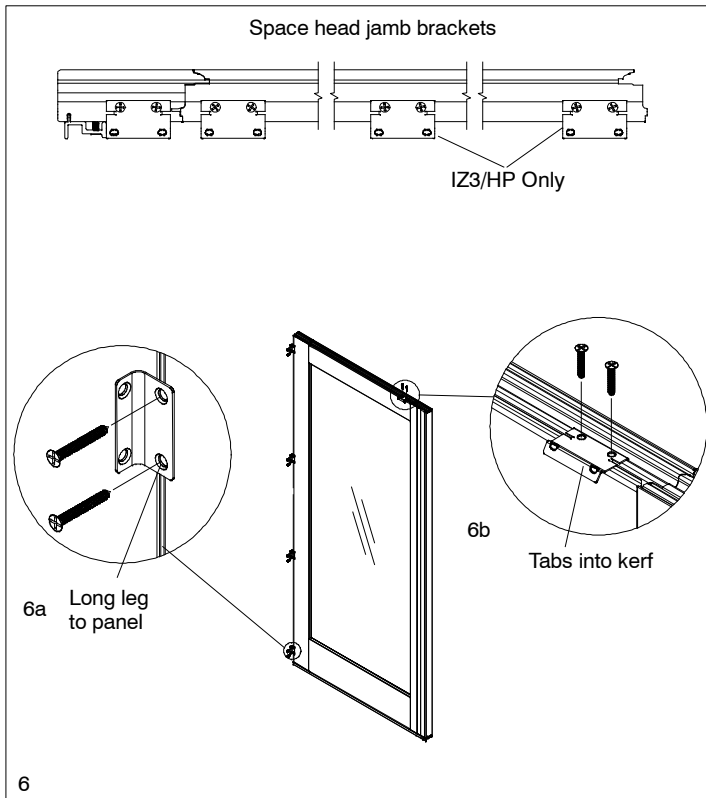


INSTALLING STATIONARY PANEL(S)

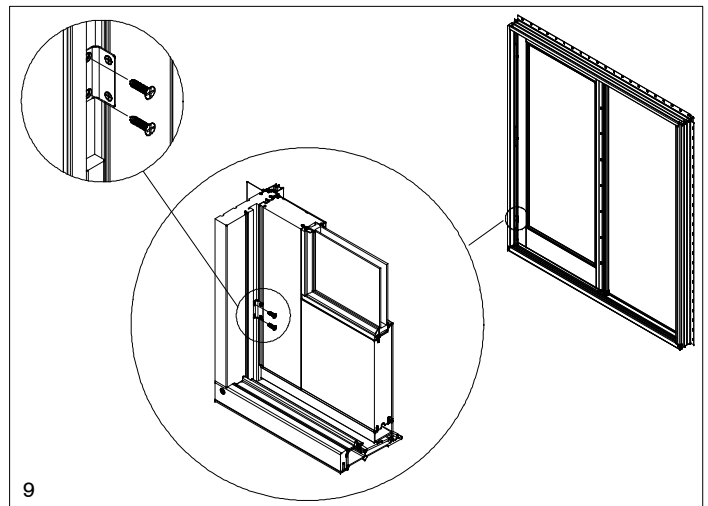
NOTE: For ease of installation, temporarily install frame into the opening. Fasten the two top corners of the frame to the structure.

WARNING: Stationary Panel is heavy, take care not to let the panel fall forward. Assistance is recommended for this procedure.

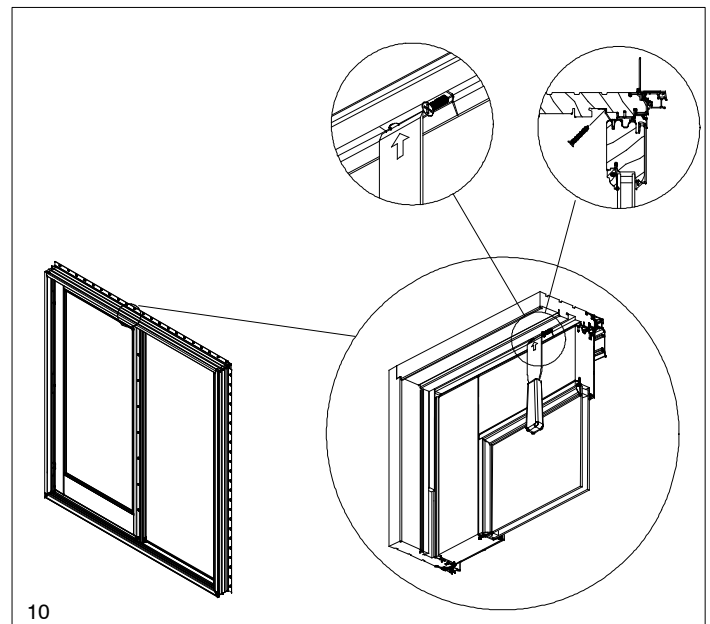
11. Fasten 4 (5 on 8-0 ht., 6 on IZ3/HP, 7 on 8-0 ht. IZ3/HP units) side jamb brackets to the exterior jamb side of the interlock panel and/or stationary panel through the predrilled holes with #7x1 1/4" flat head screws. See illustration 6a.
12. Fasten Stationary head jamb brackets (4 on IZ3/HP, 2 on standard) to the interlocking panel through the predrilled holes with #8x1" flat head screws. See illustration 6b.



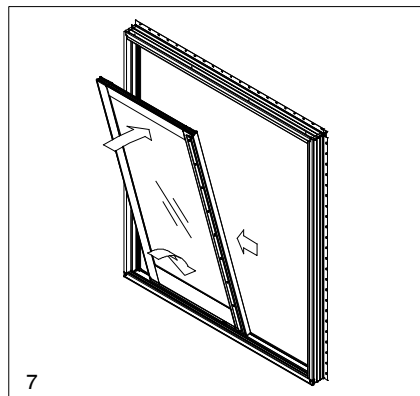
15. Fasten the interlock (and stationary panel) side jamb brackets to the side jamb (and center jamb for 3 wide units) with "L" #7x5/8" flat head screws. See illustration 9.



16. Use a stiff putty knife to bend the head jamb bracket into place. See illustration 9. Fasten the head jamb bracket to the head jamb with two "H" #8x1" flat head screws placed at a 45° angle. See illustration 10. For two wide units proceed to step 20.

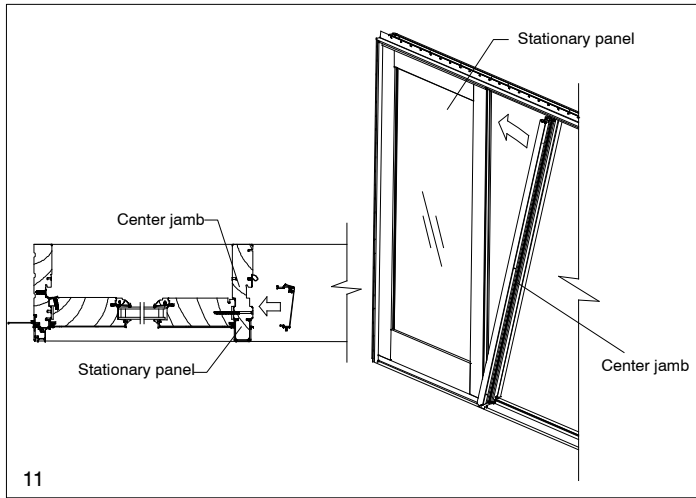


13. From the interior place the stationary panel(s) 6" away from the jamb at an approx. 75 degree angle. For 3 wide units install non-interlocking panel first followed by the stationary interlocking panel. See illustration 7.

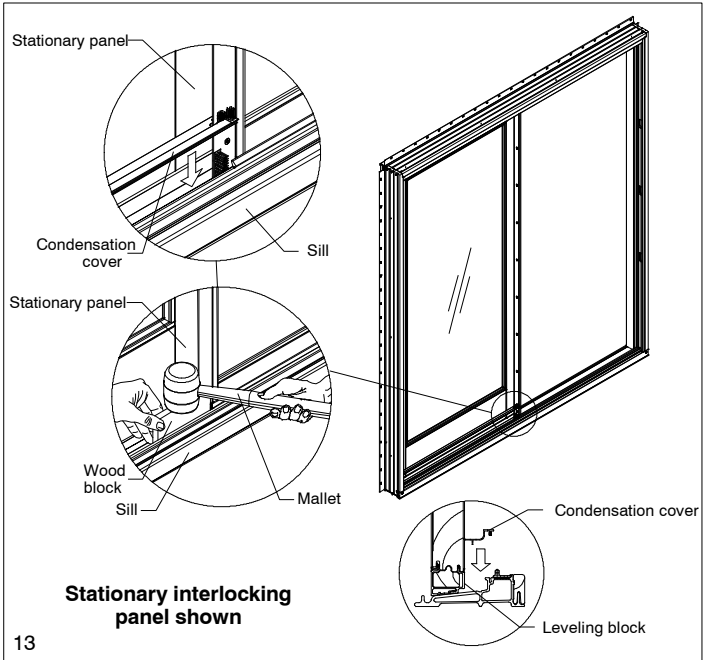


14. Push the bottom of the panel outward and gradually tilt panel to the upright position. Press the panel outward ensuring that the flange on the panel leveling block has fully seated into the sill clip and slide panel to the side jamb. See illustration 8.

17. For three wide units place center jamb in slot on sill shown in illustration 11. Tap center jamb onto stationary panel with a rubber mallet. Apply washers to the #8 x 3" screws. Fasten with a #8x3" flat head screw through the center of the center jamb. Finish tapping the center jamb onto stationary panel to ensure that it is tight. Complete attaching the center jamb to the stationary panel with #8x3" flat head screws 6" from the top and the bottom as shown in illustration 12. Repeat steps 13- 17 for stationary interlocking panel.

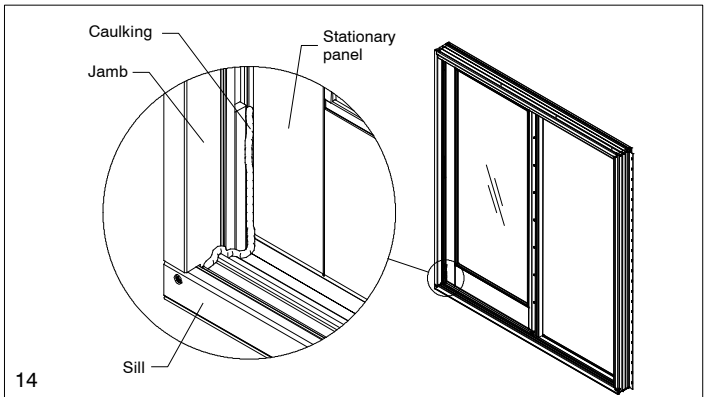


18. Fasten sill liner to the center jamb with #8 x 1 1/2" pan head screw. IZ3/HP units use #8 x 3" screws.
 19. Place dust block end of condensation cover under interlock and slide into place. Tap until seated with a wood block and rubber mallet. See illustration 13.

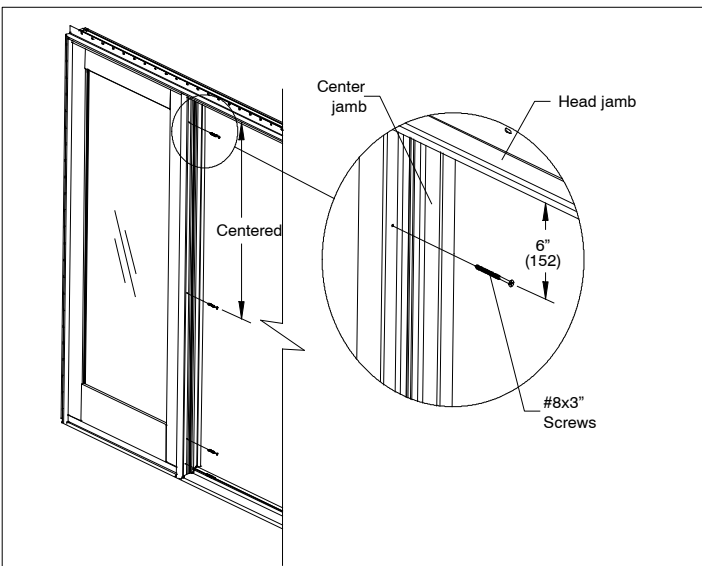


13

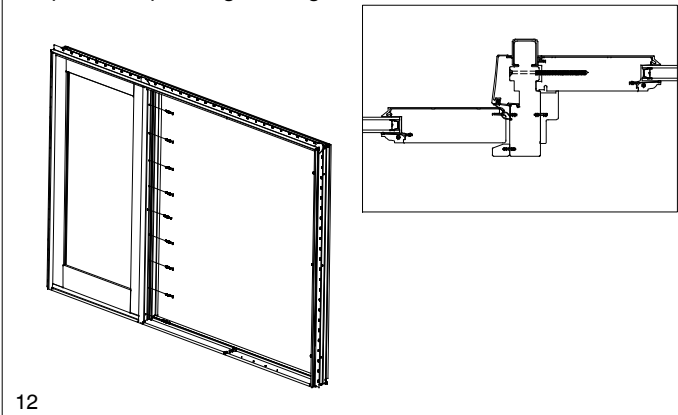
20. Apply a 3/16" to 1/4" bead of sealant over the condensation cover and up the jamb 8- 10". See illustration 14. Also apply sealant on the non interlocking side of the center jamb for OXO units. Apply to both sides of the center jamb if XOO or OOX configurations.



14

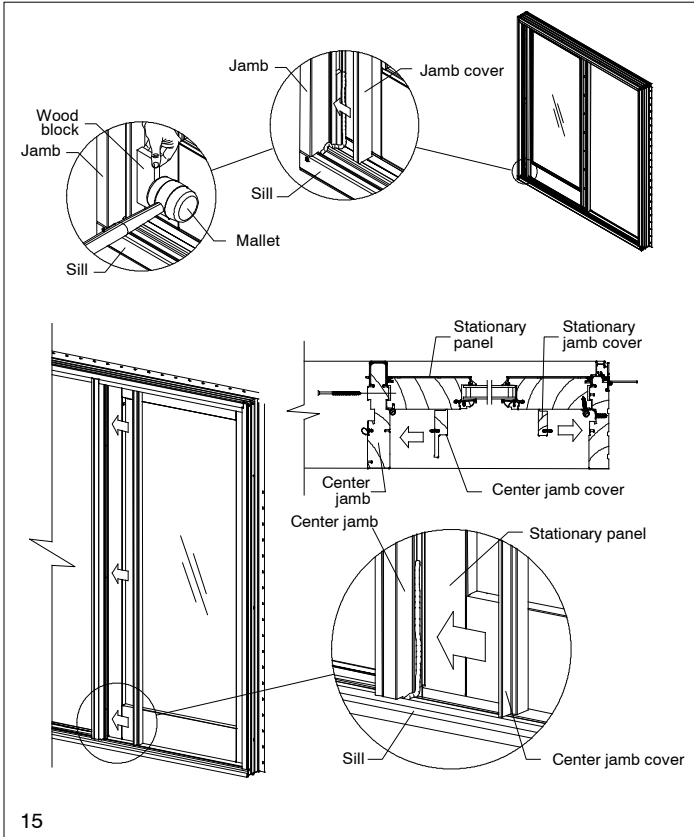


*IZ3/HP Units require 6- 7 screws through the center jamb into the panel, depending on height.

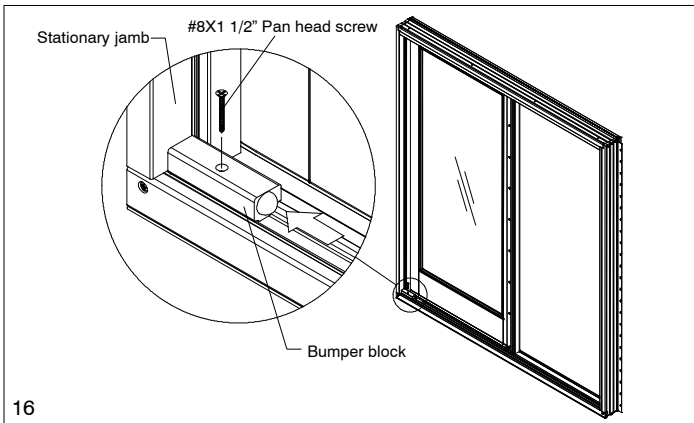


12

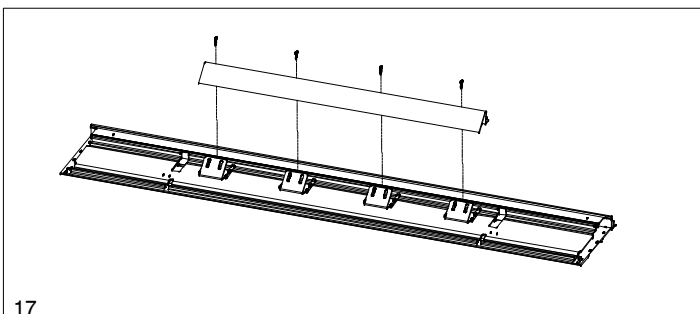
21. Attach jamb cover(s) as shown in illustration 15. For additional information on jamb cover locations see unit configurations on page 2.



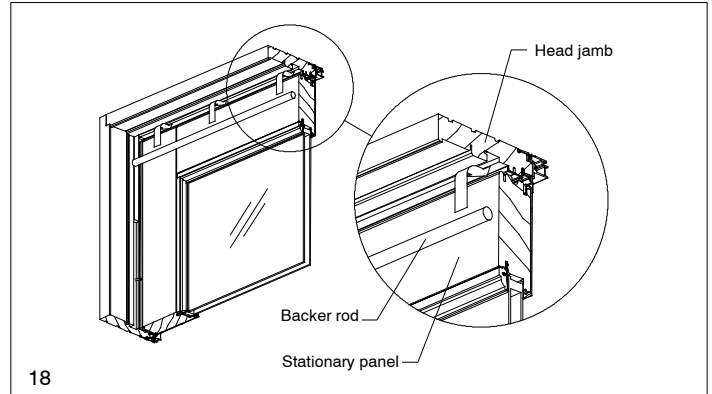
22. Place the bumper block against stationary jamb. Pre-drill with 3/32" drill bit into sill fasten with #8X1 1/2" pan head screw. See illustration 16.



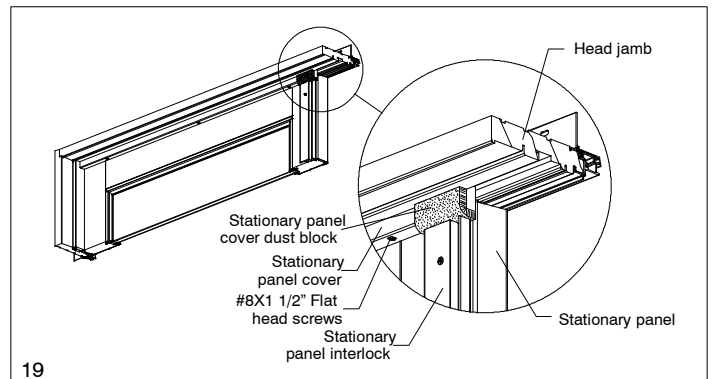
26. On OXXO IZ3/HP Doors Only: Install sill cover by centering the sill cover on the brackets between the stationary panels. Install #8 x 3/4" self drilling screws into the pre-drilled holes on the sill cover. See illustration 17.



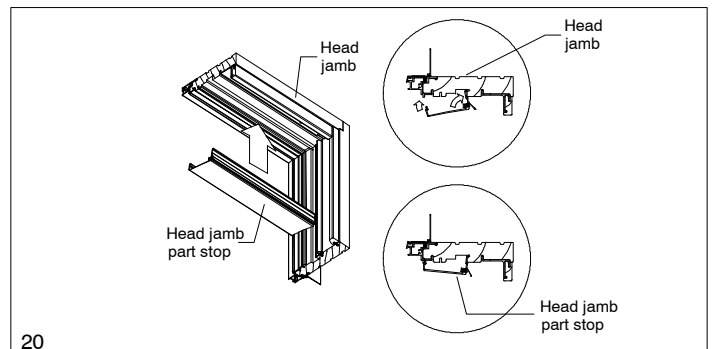
23. Cut the length of the backer rod the width of the stationary panel. Insert the backer rod between the top rail and the head jamb. Notch out backer rod around head jamb bracket. See illustration 18.



24. Insert dust block end of stationary corner over interlock and slide into place. Fasten the stationary cover into the head jamb with #8X1 1/2" screws into the predrilled holes. See illustration 19.

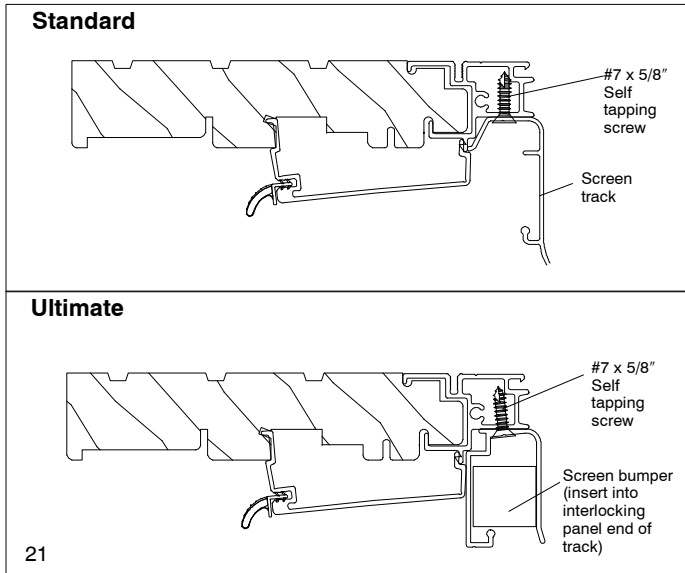


25. Install head jamb part stop followed by the jamb part stop. See illustration 20.



SCREEN TRACK INSTALLATION

27. Place the screen track up into the head jamb above the active panel(s) and interlocking panel(s). Fasten the track to the head jamb with #7X5/8" self tapping flat head screws through pre- drilled holes in screen track. See illustration 21. The screen bumper is applied to the Ultimate screen only.



NOTE: The screen instructions will cover the proper installation of the screen onto the track.

28. Refer to the Clad Sliding French Door Installation Instructions to complete the installation and assembly of the door. The Sliding French Door Installation Instructions will include the proper installation of the inactive panel (for 4 panel doors), and active panel (for all doors) and will take into account the placement of the header guide with wood cover, the head jamb bumper block with rubber bumper, and the wood plugs included in your KD package.

NOTE: The Sliding French Door Installation instructions will cover the proper installation of the active panel and the unit into the opening. Separate installation instructions are also provided with the handle and the screen.