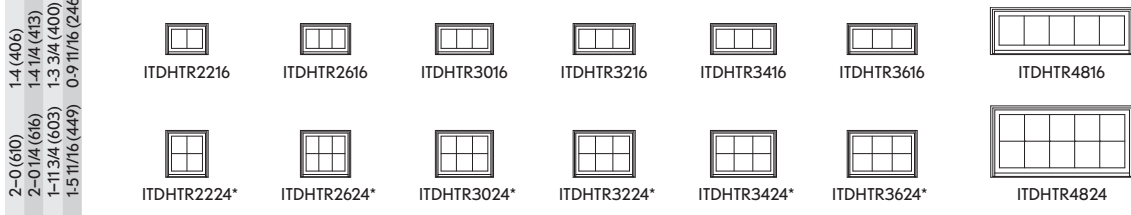


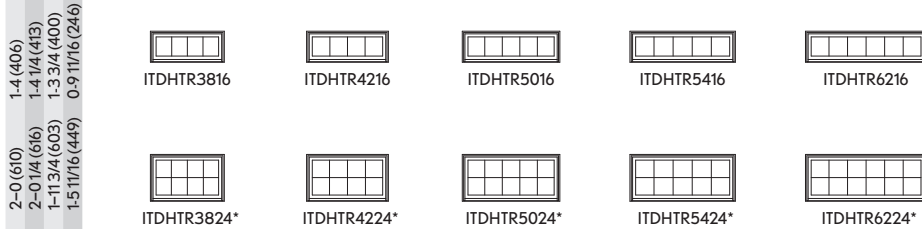
DOUBLE HUNG TRANSOM

Transom Units

MO (mm)	1-10 (559)	2-2 (660)	2-6 (762)	2-8 (813)	2-10 (864)	3-0 (914)	4-0 (1219)
RO (mm)	1-10 1/2 (572)	2-2 1/2 (673)	2-6 1/2 (775)	2-8 1/2 (826)	2-10 1/2 (876)	3-0 1/2 (927)	4-0 1/2 (1232)
FS (mm)	1-9 1/2 (546)	2-1 1/2 (648)	2-5 1/2 (749)	2-7 1/2 (800)	2-9 1/2 (851)	2-11 1/2 (902)	3-11 1/2 (1207)
DLO (mm)	1-3 11/16 (398)	1-7 11/16 (500)	1-9 11/16 (551)	1-11 11/16 (602)	2-3 11/16 (703)	2-5 11/16 (754)	3-5 11/16 (1059)

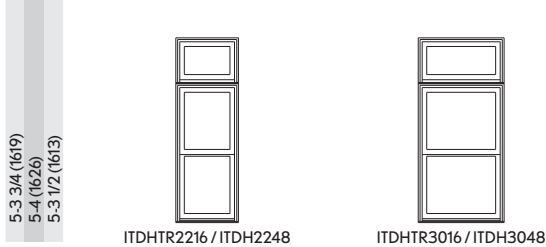


MO (mm)	3-2 (965)	3-6 (1067)	4-2 (1270)	4-6 (1372)	5-2 (1575)
RO (mm)	3-2 1/2 (978)	3-6 1/2 (1080)	4-2 1/2 (1283)	4-6 1/2 (1384)	5-2 1/2 (1588)
FS (mm)	3-1 1/2 (953)	3-5 1/2 (1054)	4-1 1/2 (1257)	4-5 1/2 (1359)	5-1 1/2 (1562)
DLO (mm)	2-7 11/16 (805)	2-11 11/16 (906)	3-7 11/16 (1110)	3-11 11/16 (1211)	4-7 11/16 (1414)



In-Sash Transoms Mullered Over Double Hungs

MO (mm)	1-10 (559)	2-6 (762)
RO (mm)	1-10 1/2 (572)	2-6 1/2 (775)
FS (mm)	1-9 1/2 (546)	2-5 1/2 (749)



Details and Elevations not to scale.

Special sized units available within product size matrix and available down to 17.5" frame width. See your Integrity retailer.

Optional picture Grilles, GBGs and SDLs are available in a standard Rectangular cut shown. Also available in Prairie lite cuts shown on page 3.

When ordering 6 9/16" (167 mm) or 6 13/16" (173 mm) jambs, add 1/4" (6 mm) to width and 1/8" (3 mm) to height for Rough Opening, Frame Size and Masonry Opening.

* Size available in picture unit also.

MULTIPLE ASSEMBLIES

Multiple assemblies can be factory mullered.

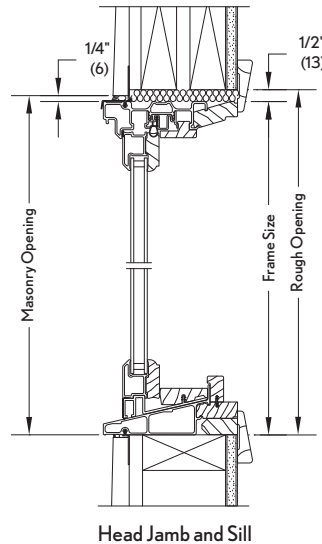
MAXIMUM ROUGH OPENING not to exceed 113 1/2" x 76 1/4" Maximum up to 5 units wide by 1 unit high.

MAXIMUM ROUGH OPENING not to exceed 84" x 92" Maximum up to 3 units wide by 5 units high.

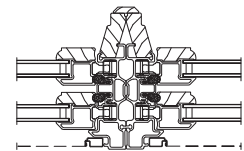
Field mull kits are available. Structural mullion reinforcement is required for some assemblies.

Please consult your local Integrity® from Marvin® representative for more information.

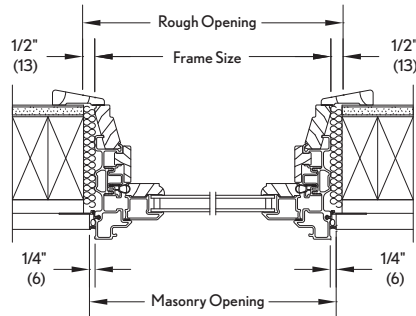
Construction Details



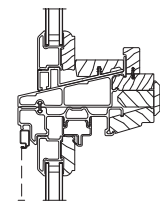
Head Jamb and Sill



Vertical Mullion



Jamb



Horizontal Mullion Transom/Operator