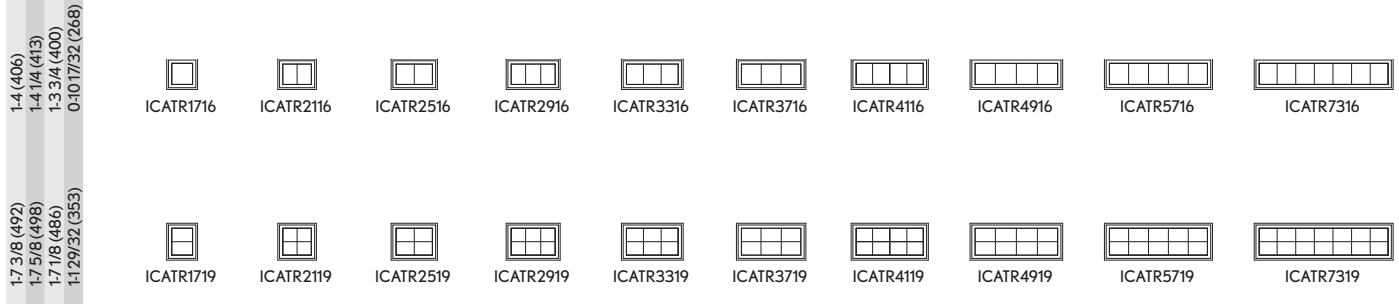


CASEMENT/PICTURE/TRANSOM

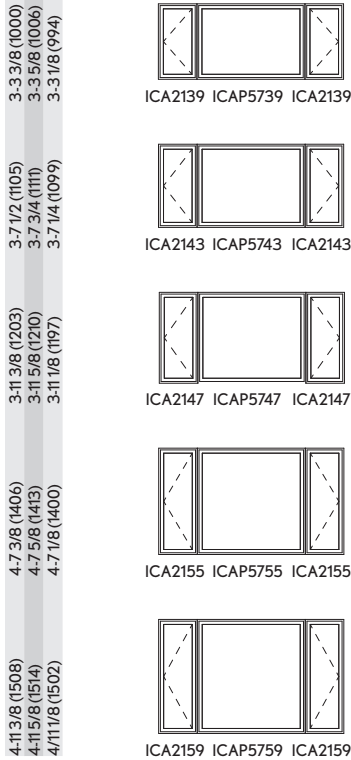
In-Sash Transoms

MO (mm)	1-4 1/2 (419)	1-8 1/2 (521)	2-0 1/2 (622)	2-4 1/2 (724)	2-8 1/2 (826)	3-0 1/2 (927)	3-4 1/2 (1029)	4-0 1/2 (1232)	4-8 1/2 (1435)	6-0 1/2 (1842)
RO (mm)	1-5 (432)	1-9 (533)	2-1 (635)	2-5 (737)	2-9 (838)	3-1 (940)	3-5 (1041)	4-1 (1245)	4-9 (1448)	6-1 (1854)
FS (mm)	1-4 (406)	1-8 (508)	2-0 (610)	2-4 (711)	2-8 (813)	3-0 (914)	3-4 (1016)	4-0 (1219)	4-8 (1422)	6-0 (1829)
DLO (mm)	0-10 25/32 (274)	1-2 25/32 (376)	1-6 25/32 (477)	1-10 25/32 (579)	2-2 25/32 (680)	2-6 25/32 (782)	2-10 25/32 (884)	3-6 25/32 (1087)	4-2 25/32 (1290)	5-6 25/32 (1696)



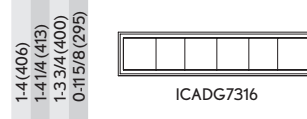
Multiple Assemblies/21 Casement Flankers with Picture Center Unit

MO (mm)	8-0 1/2 (2451)
RO (mm)	8-1 (2464)
FS (mm)	8-0 (2438)

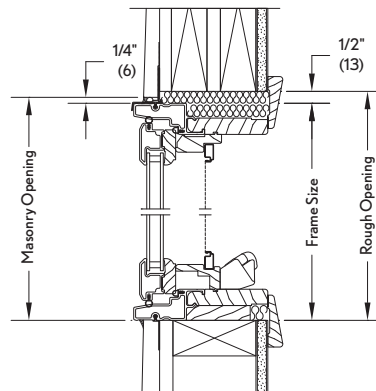


Direct Glaze Transom

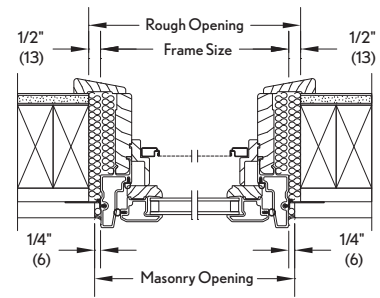
MO (mm)	6-0 1/2 (1842)
RO (mm)	6-1 (1854)
FS (mm)	6-0 (1829)
DLO (mm)	5-8 1/16 (1729)



Construction Details



Operator Head Jamb and Sill



Operator Jamb

Details and Elevations not to scale.

Special sized units available within product size matrix. See your Integrity® retailer.

Optional picture Grilles, GBGs and SDLs are available in a standard Rectangular cut shown. Also available in Prairie lite cuts shown on page 3.

Any ICA unit in these combinations can be operating or stationary. Operating sash are viewed from the exterior.

Unequal lite cuts on Direct Glaze Transoms. GBG and SDL in an ICADG 7316 will line up over a 25-3W ICA only. Direct Glaze Rectangles also available, see Polygons, pages 47 and 48.

MULTIPLE ASSEMBLIES

Multiple assemblies can be factory mullied.

MAXIMUM ROUGH OPENING not to exceed 113" x 71 5/8" Maximum up to 7 units wide by 1 unit high.

MAXIMUM ROUGH OPENING not to exceed 85" x 94 3/4" Maximum up to 4 units wide by 5 units high.

Field mull kits are available. Structural mullion reinforcement is required for some assemblies.

Please consult your local Integrity from Marvin® representative for more information.