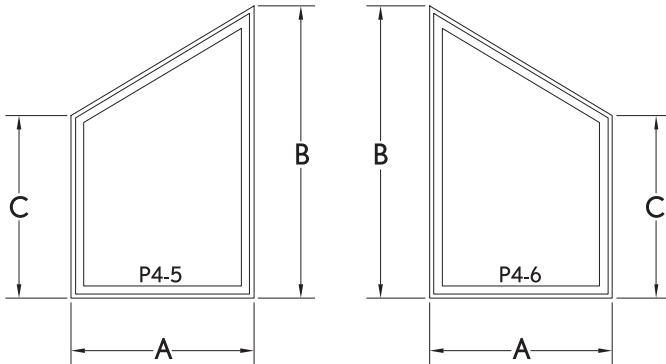
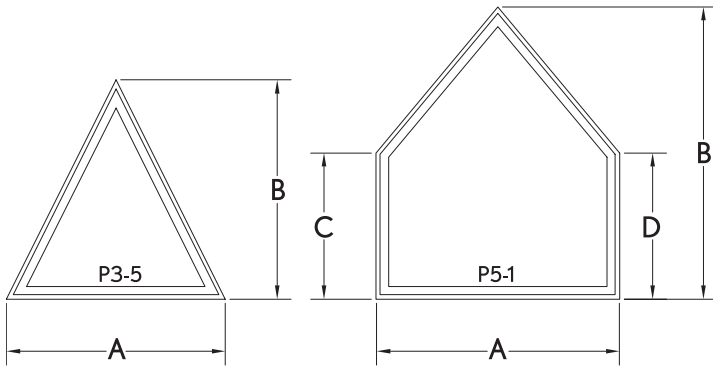


90° TRIANGLE

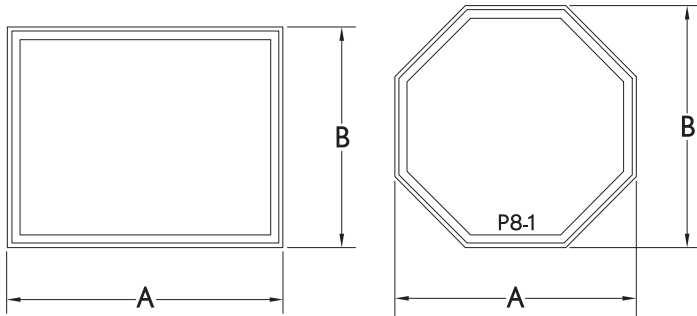


TRAPEZOID



ISOSCELES TRIANGLE

PENTAGON



90° RECTANGLE

OCTAGON

**How to Specify**

When ordering a Trapezoid, Triangle, or Rectangle window, provide a sketch of the unit as viewed from the exterior, also include key Rough Opening dimensions.

Example: To order a window of a Trapezoid opening provide the measurements of A, B, and C as indicated. For other shapes, give the dimensions shown.

**Specification Notes:**

All units are subject to validation.

**Maximum/Minimum Guidelines**

Maximum Square Footage: 49 sq. ft. of Rough Opening

Maximum Width: 114" Rough Opening

Maximum Height: 114" Rough Opening

Minimum (RECT, P3, P4, P5): 12" x 12" Rough Opening

Minimum (P8): 18" x 18" Rough Opening

Minimum Short Leg (P4, P5): 8" Rough Opening

P3 Pitch: 3/12 to 36/12 Pitch Available

P4 Pitch: 36/12 Maximum Pitch Available

P5 Pitch: 36/12 Maximum Pitch Available

**Multiple Assemblies**

Multiple assemblies can be factory mullied.

**MAXIMUM ROUGH OPENING:** not to exceed 114" X 78".

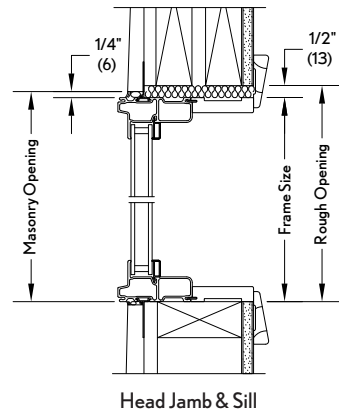
Maximum up to 6 units wide by 1 unit high.

**MAXIMUM ROUGH OPENING:** not to exceed 96" X 96".

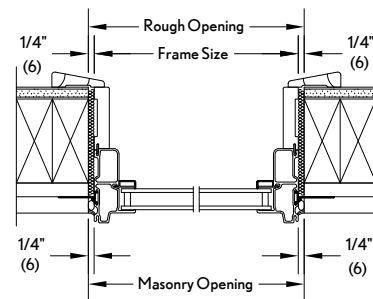
Maximum up to 5 units wide by 5 units high.

**NOTE:** Units with Rough Opening larger than 37.75 sq. ft. will be standard tempered.

Construction Details



Head Jamb & Sill



Jambs