

CHAPTER 3

INTEGRITY WOOD–ULTREX DOUBLE HUNG (ITDH) INTEGRITY WOOD–ULTREX DOUBLE HUNG PICTURE (ITDHP) INTEGRITY WOOD–ULTREX DOUBLE HUNG TRANSOM (ITDHT)

Unit Features	3.2
Egress and Vent Measurements – Standard Product	3.4
Egress and Vent Measurements – High Performance Product	3.6
Egress and Vent Measurements – Impact Product	3.7
Egress and Vent Measurements – Cottage Units Standard Product	3.8
Egress and Vent Measurements – Cottage Units High Performance Product	3.9
Egress and Vent Measurements – Cottage Units Impact Product	3.10
Egress and Vent Measurements – Reverse Cottage Units Standard Product	3.11
Egress and Vent Measurements – Reverse Cottage Units High Performance Product	3.12
Egress and Vent Measurements – Reverse Cottage Units Impact Product	3.13
Daylight Opening – Double Hung	3.14
Daylight Opening – Cottage	3.15
Daylight Opening – Transoms	3.17
Daylight Opening – Picture	3.18
Minimum and Maximum Guidelines	3.20
Certified Sizes – Standard	3.21
Egress Measurement / Egress Formula	3.22
Conversions	3.23
Mulling Guidelines	3.24
Impact Mulling Guidelines	3.25
Standard Size Charts – Double Hung	3.26
Standard Size Charts – Transom	3.27
Standard Size Charts – Picture	3.28
Section Details – Double Hung	3.29
Section Details – Impact Double Hung	3.30
Section Details – Transoms / Pictures	3.31
Section Details – Impact Transoms / Pictures	3.32
Section Details – Mullions	3.33
Divided Lite Options	3.34
Available Divided Lite Patterns	3.35
30° Bay Units	3.44
30° Bay Units – Width Dimensions	3.46
45° Bay Units	3.49
45° Bay Units – Width Dimensions	3.51
Installation Suggestions	3.52

ATTENTION:

- Specifications and technical data are subject to change without notice.
- Dimensions in parenthesis are in millimeters or square meters
- Allow 1/16" (2) tolerance on all measurements.
- Interior mullion trim are shipped loose for field installation.
- For answers to technical questions about Integrity products you may call our Integrity Support Line: 1–800–587–2712.
- Website: www.marvin.com

UNIT FEATURES

FRAME AND SASH:

The frame and sash exteriors are made of Ultrex[®], an advanced fiber reinforced material that is resistant to thermal conductance. Ultrex patented coating system meets all the requirements of AAMA 624-10. Exterior colors: Stone White, Pebble Gray, Bronze, Evergreen, Cashmere, or Ebony. The interior is non finger-jointed pine, kiln dried to a moisture content of 6–12% at time of fabrication. Water-repellant, preservative treated in accordance with WDMA I.S.4. Interior wood is available as Pine bare wood or factory-applied white interior finish.

Frame:

Composite frame thickness is 1 9/16" (40). Frame width of 4 9/16" (116). Flat bottom sill with 13 degree bevel. Non Finger-Jointed pine interior frame liner is applied to all units. Ultrex is .075" (2) thick.

Sash:

Composite sash thickness of 1 17/32" (39). Ultrex is .070" (2) thick. Sash can be replaced but cannot be re-glazed.

JAMB EXTENSION:

Optional 6 9/16" (167) and 6 13/16" (173) jamb extension factory applied or in lineal lengths for field application. ADD 1/4" (6) to width and 1/8" (3) to height of frame, rough, and masonry opening sizes.

HARDWARE:

The balance system is a coil spring block and tackle system, with nylon cord and zinc locking shoe. Both sash tilt into the room for cleaning or removal for painting without removing the screen. High pressure zinc die cast checkrail lock and keeper. Lock employs a cam-lock mechanism. Color: Almond Frost or White. Optional Bright Brass, Oil Rubbed Bronze, and Satin Nickel available. Each sash employs spring loaded tilt latches to allow for easy tilting of sash. On Impact units 32 widths and wider, two locks are mounted. Optional factory applied Window Opening Control Device is available on all sizes. A system consisting of an acetal lever housed in an acetal shell on each stile of the top sash. Finish: White, Beige. This device works in accordance to ASTM F2090–10 standard specification for window fall prevention devices with emergency escape.

INSTALLATION:

Factory applied folding nailing fin and drip cap system. Optional structural brackets for masonry available. Optional through jamb installation method with brackets for non-impact units only. Factory supplied field mulling kits are available for standard assemblies or 30° and 45° Bay assemblies. Recommended method for Impact glazed units is installation clips and nailing fin.

GLAZING:

All units are manufactured with an 11/16" (17) IG with Low E2, E3, or E1 coating including argon gas fill. Tempered glass and/or obscure, and California Fire glass (annealed exterior and tempered interior glazing configuration) glass are available as an option. All glass is of a select quality complying with ASTM C 1036. Insulating glass is manufactured and tested to pass level ASTM E 2190 and is IGCC certified. The glazing seal is a silicone bedding on both interior and exterior surfaces utilized in a sandwich style sash. STC/OITC values are available for 3.1/3.1 standard glass. Optional 3.1/4.7 STC/OITC Upgrade glass is available. STC and OITC ratings are tested in accordance with ASTM E 90-09. See the Product Performance chapter for values.

CE GLAZING:

All units are manufactured with an 11/16" (17) IG with Low E2, E3, or E1 coating including argon gas fill. Tempered glass is available as an option. CE marked IG units comply with EN 1279 and EN 12150 (fully tempered). The glazing seal is a silicone bedding on both interior and exterior surfaces utilized in a sandwich style sash. Operable double hung units up to CN 4276 are available with CE mark. Transoms and Picture units are not available with CE mark. Bow and Bays are not available with CE mark.

IMPACT GLAZING:

Optional Impact Zone 3 available on selected sizes. Zone 3 for winds up to 140 miles per hour. Glass is laminated insulating Low E2 or E3 Argon, consisting of annealed or tempered glass exterior and laminated glass interior. The laminated glass is comprised of two pieces of glass with either a SGP or PVB laminate layer between. Interior and exterior glazing compound is silicone, in a sandwich style glazing system. Not available with CE mark.

WEATHER STRIP:

All weather strip is beige, black, or gray in color. Robust fabric covered foam weather strip is used to seal the double hung jambs. Jamb carrier contains a secondary flexible hollow bulb. Blind stop seal between the header and upper sash. Checkrail weather strip is a hollow bulb. A hollow bulb weather strip is attached to bottom of sash, interfaces between sill and jamb weather strip. A flat foam gasket is used between the jamb and sill.

SCREEN:

Roll formed aluminum frame with corner key construction, color to match exterior frame color. Charcoal color fiberglass (non-corrosive) screen cloth. Spring loaded pins for installation. Full screen is standard, half screen option is available. A screen bar will be added when frame OM (height) is equal to or greater than 47 1/2" (1207).

UNIT FEATURES

REMOVABLE INTERIOR GRILLES:

Bar: Pine wood, 3/4" (19) Available in pine non finger-jointed wood or factory applied white finish. Pattern: Standard rectangular pattern.

INTERIOR / EXTERIOR SIMULATED DIVIDED LITES (SDL):

Interior bar: 7/8" (22) wide bars. Pine bare wood with optional white interior finish. Exterior bar: Ultrex, 7/8" (22) wide bars, finish to match exterior. Patterns available: rectangle, Cottage style cut, 9 lite Prairie cut or 6 lite Prairie for top sash, bottom sash, or both. ITDHP Only: Simulated check rail option: 2 11/32", (60). Pattern available: simulated rail in standard center or customer specified location with 7/8", (22) patterns above, below or both in patterns of rectangular equal lite or prairie lite cut. SDL spacer bars are available in Standard and Impact IZ3 glass.

GRILLES-BETWEEN-THE-GLASS (GBG):

23/32" (18) contoured aluminum bar placed between two panes of glass. Pattern: Standard rectangular pattern, or optional 6 lite per sash Prairie cut on Double Hung or 9 lite on picture units. Exterior color determined by exterior sash color. Interior Colors: White or Bronze. GBGs are not available with Impact glazing.

NOTE: Direct Glaze Round Top with Wood Grilles, GBG, or SDL will only align with the default lite cut of the unit it is intended to be mullied with.

NOTE: NFRC Values are now located on www.marvin.com

EGRESS and VENT MEASUREMENTS – STANDARD PRODUCT

CN	Egress Opening Width		Egress Opening Height		Egress Opening		Floor to Bottom of Clear Opening		Vent Opening		Daylight Opening	
	ft – in	mm	ft – in	mm	ft ²	m ²	ft – in	mm	Sq. Ft.	m2	Sq. Ft.	m2
2236	1-6 3/8	(467)	1-0 31/32	(329)	1.65	(0.15)	4-0 47/64	(1238)	1.65	(0.15)	2.98	(0.28)
2240	1-6 3/8	(467)	1-2 31/32	(380)	1.91	(0.18)	3-8 47/64	(1136)	1.91	(0.18)	3.42	(0.32)
2244	1-6 3/8	(467)	1-4 31/32	(431)	2.17	(0.20)	3-4 47/64	(1035)	2.17	(0.20)	3.85	(0.36)
2248	1-6 3/8	(467)	1-6 31/32	(482)	2.42	(0.22)	3-0 47/64	(933)	2.42	(0.22)	4.29	(0.40)
2252	1-6 3/8	(467)	1-8 31/32	(533)	2.68	(0.25)	2-8 47/64	(831)	2.68	(0.25)	4.73	(0.44)
2256	1-6 3/8	(467)	1-10 31/32	(583)	2.93	(0.27)	2-4 47/64	(730)	2.93	(0.27)	5.16	(0.48)
2260	1-6 3/8	(467)	2-0 31/32	(634)	3.19	(0.30)	2-0 47/64	(628)	3.19	(0.30)	5.60	(0.52)
2264	1-6 3/8	(467)	2-2 31/32	(685)	3.44	(0.32)	1-8 47/64	(527)	3.44	(0.32)	6.03	(0.56)
2268	1-6 3/8	(467)	2-4 31/32	(736)	3.70	(0.34)	1-4 47/64	(425)	3.70	(0.34)	6.47	(0.60)
2272	1-6 3/8	(467)	2-6 31/32	(787)	3.95	(0.37)	1-0 47/64	(323)	3.95	(0.37)	6.90	(0.64)
2276	1-6 3/8	(467)	2-8 31/32	(837)	4.21	(0.39)	0-8 47/64	(222)	4.21	(0.39)	7.34	(0.68)
2636	1-10 3/8	(568)	1-0 31/32	(329)	2.02	(0.19)	4-0 47/64	(1238)	2.02	(0.19)	3.74	(0.35)
2640	1-10 3/8	(568)	1-2 31/32	(380)	2.33	(0.22)	3-8 47/64	(1136)	2.33	(0.22)	4.29	(0.40)
2644	1-10 3/8	(568)	1-4 31/32	(431)	2.64	(0.24)	3-4 47/64	(1035)	2.64	(0.24)	4.84	(0.45)
2648	1-10 3/8	(568)	1-6 31/32	(482)	2.95	(0.27)	3-0 47/64	(933)	2.95	(0.27)	5.38	(0.50)
2652	1-10 3/8	(568)	1-8 31/32	(533)	3.26	(0.30)	2-8 47/64	(831)	3.26	(0.30)	5.93	(0.55)
2656	1-10 3/8	(568)	1-10 31/32	(583)	3.57	(0.33)	2-4 47/64	(730)	3.57	(0.33)	6.48	(0.60)
2660	1-10 3/8	(568)	2-0 31/32	(634)	3.88	(0.36)	2-0 47/64	(628)	3.88	(0.36)	7.02	(0.65)
2664	1-10 3/8	(568)	2-2 31/32	(685)	4.19	(0.39)	1-8 47/64	(527)	4.19	(0.39)	7.57	(0.70)
2668	1-10 3/8	(568)	2-4 31/32	(736)	4.50	(0.42)	1-4 47/64	(425)	4.50	(0.42)	8.12	(0.75)
2672	1-10 3/8	(568)	2-6 31/32	(787)	4.81	(0.45)	1-0 47/64	(323)	4.81	(0.45)	8.66	(0.80)
2676	1-10 3/8	(568)	2-8 31/32	(837)	5.12	(0.48)	0-8 47/64	(222)	5.12	(0.48)	9.21	(0.86)
3036	2-2 3/8	(670)	1-0 31/32	(329)	2.38	(0.22)	4-0 47/64	(1238)	2.38	(0.22)	4.50	(0.42)
3040	2-2 3/8	(670)	1-2 31/32	(380)	2.74	(0.25)	3-8 47/64	(1136)	2.74	(0.25)	5.16	(0.48)
3044	2-2 3/8	(670)	1-4 31/32	(431)	3.11	(0.29)	3-4 47/64	(1035)	3.11	(0.29)	5.82	(0.54)
3048	2-2 3/8	(670)	1-6 31/32	(482)	3.47	(0.32)	3-0 47/64	(933)	3.47	(0.32)	6.48	(0.60)
3052	2-2 3/8	(670)	1-8 31/32	(533)	3.84	(0.36)	2-8 47/64	(831)	3.84	(0.36)	7.14	(0.66)
3056	2-2 3/8	(670)	1-10 31/32	(583)	4.21	(0.39)	2-4 47/64	(730)	4.21	(0.39)	7.79	(0.72)
3060	2-2 3/8	(670)	2-0 31/32	(634)	4.57	(0.42)	2-0 47/64	(628)	4.57	(0.42)	8.45	(0.79)
3064	2-2 3/8	(670)	2-2 31/32	(685)	4.94	(0.46)	1-8 47/64	(527)	4.94	(0.46)	9.11	(0.85)
3068	2-2 3/8	(670)	2-4 31/32	(736)	5.31	(0.49)	1-4 47/64	(425)	5.31	(0.49)	9.77	(0.91)
3072	2-2 3/8	(670)	2-6 31/32	(787)	5.67	(0.53)	1-0 47/64	(323)	5.67	(0.53)	10.43	(0.97)
3076 E	2-2 3/8	(670)	2-8 31/32	(837)	6.04	(0.56)	0-8 47/64	(222)	6.04	(0.56)	11.08	(1.03)
3236	2-4 3/8	(721)	1-0 31/32	(329)	2.56	(0.24)	4-0 47/64	(1238)	2.56	(0.24)	4.88	(0.45)
3240	2-4 3/8	(721)	1-2 31/32	(380)	2.95	(0.27)	3-8 47/64	(1136)	2.95	(0.27)	5.60	(0.52)
3244	2-4 3/8	(721)	1-4 31/32	(431)	3.34	(0.31)	3-4 47/64	(1035)	3.34	(0.31)	6.31	(0.59)
3248	2-4 3/8	(721)	1-6 31/32	(482)	3.74	(0.35)	3-0 47/64	(933)	3.74	(0.35)	7.02	(0.65)
3252	2-4 3/8	(721)	1-8 31/32	(533)	4.13	(0.38)	2-8 47/64	(831)	4.13	(0.38)	7.74	(0.72)
3256	2-4 3/8	(721)	1-10 31/32	(583)	4.53	(0.42)	2-4 47/64	(730)	4.53	(0.42)	8.45	(0.79)
3260	2-4 3/8	(721)	2-0 31/32	(634)	4.92	(0.46)	2-0 47/64	(628)	4.92	(0.46)	9.16	(0.85)
3264	2-4 3/8	(721)	2-2 31/32	(685)	5.31	(0.49)	1-8 47/64	(527)	5.31	(0.49)	9.88	(0.92)
3268 E	2-4 3/8	(721)	2-4 31/32	(736)	5.71	(0.53)	1-4 47/64	(425)	5.71	(0.53)	10.59	(0.98)
3272 E	2-4 3/8	(721)	2-6 31/32	(787)	6.10	(0.57)	1-0 47/64	(323)	6.10	(0.57)	11.31	(1.05)
3276 E	2-4 3/8	(721)	2-8 31/32	(837)	6.50	(0.60)	0-8 47/64	(222)	6.50	(0.60)	12.02	(1.12)
3436	2-6 3/8	(771)	1-0 31/32	(329)	2.74	(0.25)	4-0 47/64	(1238)	2.74	(0.25)	5.26	(0.49)
3440	2-6 3/8	(771)	1-2 31/32	(380)	3.16	(0.29)	3-8 47/64	(1136)	3.16	(0.29)	6.03	(0.56)
3444	2-6 3/8	(771)	1-4 31/32	(431)	3.58	(0.33)	3-4 47/64	(1035)	3.58	(0.33)	6.80	(0.63)
3448	2-6 3/8	(771)	1-6 31/32	(482)	4.00	(0.37)	3-0 47/64	(933)	4.00	(0.37)	7.57	(0.70)
3452	2-6 3/8	(771)	1-8 31/32	(533)	4.42	(0.41)	2-8 47/64	(831)	4.42	(0.41)	8.34	(0.77)
3456	2-6 3/8	(771)	1-10 31/32	(583)	4.84	(0.45)	2-4 47/64	(730)	4.84	(0.45)	9.11	(0.85)
3460	2-6 3/8	(771)	2-0 31/32	(634)	5.27	(0.49)	2-0 47/64	(628)	5.27	(0.49)	9.88	(0.92)
3464	2-6 3/8	(771)	2-2 31/32	(685)	5.69	(0.53)	1-8 47/64	(527)	5.69	(0.53)	10.65	(0.99)
3468 E	2-6 3/8	(771)	2-4 31/32	(736)	6.11	(0.57)	1-4 47/64	(425)	6.11	(0.57)	11.42	(1.06)
3472 E	2-6 3/8	(771)	2-6 31/32	(787)	6.53	(0.61)	1-0 47/64	(323)	6.53	(0.61)	12.19	(1.13)
3476 E	2-6 3/8	(771)	2-8 31/32	(837)	6.95	(0.65)	0-8 47/64	(222)	6.95	(0.65)	12.95	(1.20)

EGRESS and VENT MEASUREMENTS – STANDARD PRODUCT

CN	Egress Opening Width		Egress Opening Height		Egress Opening		Floor to Bottom of Clear Opening		Vent Opening		Daylight Opening	
	ft – in	mm	ft – in	mm	ft ²	m ²	ft – in	mm	Sq. Ft.	m2	Sq. Ft.	m2
3636	2-8 3/8	(822)	1-0 31/32	(329)	2.92	(0.27)	4-0 47/64	(1238)	2.92	(0.27)	5.64	(0.52)
3640	2-8 3/8	(822)	1-2 31/32	(380)	3.37	(0.31)	3-8 47/64	(1136)	3.37	(0.31)	6.47	(0.60)
3644	2-8 3/8	(822)	1-4 31/32	(431)	3.82	(0.35)	3-4 47/64	(1035)	3.82	(0.35)	7.29	(0.68)
3648	2-8 3/8	(822)	1-6 31/32	(482)	4.26	(0.40)	3-0 47/64	(933)	4.26	(0.40)	8.12	(0.75)
3652	2-8 3/8	(822)	1-8 31/32	(533)	4.71	(0.44)	2-8 47/64	(831)	4.71	(0.44)	8.94	(0.83)
3656	2-8 3/8	(822)	1-10 31/32	(583)	5.16	(0.48)	2-4 47/64	(730)	5.16	(0.48)	9.77	(0.91)
3660	E 2-8 3/8	(822)	2-1 49/64	(655)	5.79	(0.54)	2-0 47/64	(628)	5.79	(0.54)	10.59	(0.98)
3664	E 2-8 3/8	(822)	2-2 31/32	(685)	6.06	(0.56)	1-8 47/64	(527)	6.06	(0.56)	11.42	(1.06)
3668	E 2-8 3/8	(822)	2-4 31/32	(736)	6.51	(0.61)	1-4 47/64	(425)	6.51	(0.61)	12.24	(1.14)
3672	E 2-8 3/8	(822)	2-6 31/32	(787)	6.96	(0.65)	1-0 47/64	(323)	6.96	(0.65)	13.07	(1.21)
3676	E 2-8 3/8	(822)	2-8 31/32	(837)	7.41	(0.69)	0-8 47/64	(222)	7.41	(0.69)	13.89	(1.29)
3836	2-10 3/8	(873)	1-0 31/32	(329)	3.10	(0.29)	4-0 47/64	(1238)	3.10	(0.29)	6.02	(0.56)
3840	2-10 3/8	(873)	1-2 31/32	(380)	3.57	(0.33)	3-8 47/64	(1136)	3.57	(0.33)	6.90	(0.64)
3844	2-10 3/8	(873)	1-4 31/32	(431)	4.05	(0.38)	3-4 47/64	(1035)	4.05	(0.38)	7.78	(0.72)
3848	2-10 3/8	(873)	1-6 31/32	(482)	4.53	(0.42)	3-0 47/64	(933)	4.53	(0.42)	8.66	(0.80)
3852	2-10 3/8	(873)	1-8 31/32	(533)	5.01	(0.47)	2-8 47/64	(831)	5.01	(0.47)	9.55	(0.89)
3856	2-10 3/8	(873)	1-10 31/32	(583)	5.48	(0.51)	2-4 47/64	(730)	5.48	(0.51)	10.43	(0.97)
3860	E 2-10 3/8	(873)	2-0 31/32	(634)	5.96	(0.55)	2-0 47/64	(628)	5.96	(0.55)	11.31	(1.05)
3864	E 2-10 3/8	(873)	2-2 31/32	(685)	6.44	(0.60)	1-8 47/64	(527)	6.44	(0.60)	12.19	(1.13)
3868	E 2-10 3/8	(873)	2-4 31/32	(736)	6.92	(0.64)	1-4 47/64	(425)	6.92	(0.64)	13.07	(1.21)
3872	E 2-10 3/8	(873)	2-6 31/32	(787)	7.39	(0.69)	1-0 47/64	(323)	7.39	(0.69)	13.95	(1.30)
3876	E 2-10 3/8	(873)	2-8 31/32	(837)	7.87	(0.73)	0-8 47/64	(222)	7.87	(0.73)	14.83	(1.38)
4236	3-2 3/8	(975)	1-0 31/32	(329)	3.46	(0.32)	4-0 47/64	(1238)	3.46	(0.32)	6.78	(0.63)
4240	3-2 3/8	(975)	1-2 31/32	(380)	3.99	(0.37)	3-8 47/64	(1136)	3.99	(0.37)	7.78	(0.72)
4244	3-2 3/8	(975)	1-4 31/32	(431)	4.52	(0.42)	3-4 47/64	(1035)	4.52	(0.42)	8.77	(0.81)
4248	3-2 3/8	(975)	1-6 31/32	(482)	5.06	(0.47)	3-0 47/64	(933)	5.06	(0.47)	9.76	(0.91)
4252	3-2 3/8	(975)	1-8 31/32	(533)	5.59	(0.52)	2-8 47/64	(831)	5.59	(0.52)	10.75	(1.00)
4256	3-2 3/8	(975)	1-10 31/32	(583)	6.12	(0.57)	2-4 47/64	(730)	6.12	(0.57)	11.74	(1.09)
4260	E 3-2 3/8	(975)	2-0 31/32	(634)	6.65	(0.62)	2-0 47/64	(628)	6.65	(0.62)	12.73	(1.18)
4264	E 3-2 3/8	(975)	2-2 31/32	(685)	7.19	(0.67)	1-8 47/64	(527)	7.19	(0.67)	13.72	(1.28)
4268	E 3-2 3/8	(975)	2-4 31/32	(736)	7.72	(0.72)	1-4 47/64	(425)	7.72	(0.72)	14.72	(1.37)
4272	E 3-2 3/8	(975)	2-6 31/32	(787)	8.25	(0.77)	1-0 47/64	(323)	8.25	(0.77)	15.71	(1.46)
4276	E 3-2 3/8	(975)	2-8 31/32	(837)	8.79	(0.82)	0-8 47/64	(222)	8.79	(0.82)	16.70	(1.55)
4836	3-8 3/8	(1127)	1-0 31/32	(329)	4.00	(0.37)	4-0 47/64	(1238)	4.00	(0.37)	7.93	(0.74)
4840	3-8 3/8	(1127)	1-2 31/32	(380)	4.61	(0.43)	3-8 47/64	(1136)	4.61	(0.43)	9.08	(0.84)
4844	3-8 3/8	(1127)	1-4 31/32	(431)	5.23	(0.49)	3-4 47/64	(1035)	5.23	(0.49)	10.24	(0.95)
4848	3-8 3/8	(1127)	1-6 31/32	(482)	5.85	(0.54)	3-0 47/64	(933)	5.85	(0.54)	11.40	(1.06)
4852	3-8 3/8	(1127)	1-8 31/32	(533)	6.46	(0.60)	2-8 47/64	(831)	6.46	(0.60)	12.56	(1.17)
4856	3-8 3/8	(1127)	1-10 31/32	(583)	7.08	(0.66)	2-4 47/64	(730)	7.08	(0.66)	13.72	(1.27)
4860	E 3-8 3/8	(1127)	2-0 31/32	(634)	7.69	(0.71)	2-0 47/64	(628)	7.69	(0.71)	14.87	(1.38)
4864	E 3-8 3/8	(1127)	2-2 31/32	(685)	8.31	(0.77)	1-8 47/64	(527)	8.31	(0.77)	16.03	(1.49)
4868	E 3-8 3/8	(1127)	2-4 31/32	(736)	8.93	(0.83)	1-4 47/64	(425)	8.93	(0.83)	17.19	(1.60)
4872	E 3-8 3/8	(1127)	2-6 31/32	(787)	9.54	(0.89)	1-0 47/64	(323)	9.54	(0.89)	18.35	(1.70)
4876	E 3-8 3/8	(1127)	2-8 31/32	(837)	10.16	(0.94)	0-8 47/64	(222)	10.16	(0.94)	19.51	(1.81)
5436	4-2 3/8	(1279)	1-0 31/32	(329)	4.54	(0.42)	4-0 47/64	(1238)	4.54	(0.42)	9.07	(0.84)
5440	4-2 3/8	(1279)	1-2 31/32	(380)	5.24	(0.49)	3-8 47/64	(1136)	5.24	(0.49)	10.39	(0.97)
5444	4-2 3/8	(1279)	1-4 31/32	(431)	5.94	(0.55)	3-4 47/64	(1035)	5.94	(0.55)	11.72	(1.09)
5448	4-2 3/8	(1279)	1-6 31/32	(482)	6.64	(0.62)	3-0 47/64	(933)	6.64	(0.62)	13.04	(1.21)
5452	4-2 3/8	(1279)	1-8 31/32	(533)	7.34	(0.68)	2-8 47/64	(831)	7.34	(0.68)	14.36	(1.33)
5456	4-2 3/8	(1279)	1-10 31/32	(583)	8.04	(0.75)	2-4 47/64	(730)	8.04	(0.75)	15.69	(1.46)
5460	E 4-2 3/8	(1279)	2-0 31/32	(634)	8.73	(0.81)	2-0 47/64	(628)	8.73	(0.81)	17.01	(1.58)
5464	E 4-2 3/8	(1279)	2-2 31/32	(685)	9.43	(0.88)	1-8 47/64	(527)	9.43	(0.88)	18.34	(1.70)
5468	E 4-2 3/8	(1279)	2-4 31/32	(736)	10.13	(0.94)	1-4 47/64	(425)	10.13	(0.94)	19.66	(1.83)
5472	E 4-2 3/8	(1279)	2-6 31/32	(787)	10.83	(1.01)	1-0 47/64	(323)	10.83	(1.01)	20.99	(1.95)
5476	E 4-2 3/8	(1279)	2-8 31/32	(837)	11.53	(1.07)	0-8 47/64	(222)	11.53	(1.07)	22.31	(2.07)

EGRESS and VENT MEASUREMENTS – HIGH PERFORMANCE

CN	Egress Opening Width		Egress Opening Height		Egress Opening		Floor to Bottom of Clear Opening		CN	Egress Opening Width		Egress Opening Height		Egress Opening		Floor to Bottom of Clear Opening	
	ft - in	mm	ft - in	mm	ft ²	m ²	ft - in	mm		ft - in	mm	ft - in	mm	ft ²	m ²	ft - in	mm
2236	1-6 3/8	(467)	1-0 33/64	(318)	1.60	(0.15)	4-1 3/16	(1249)	3636	2-8 3/8	(822)	1-0 33/64	(318)	2.81	(0.26)	4-1 3/16	(1249)
2240	1-6 3/8	(467)	1-2 33/64	(369)	1.85	(0.17)	3-9 3/16	(1148)	3640	2-8 3/8	(822)	1-2 33/64	(369)	3.26	(0.30)	3-9 3/16	(1148)
2244	1-6 3/8	(467)	1-4 33/64	(419)	2.11	(0.20)	3-5 3/16	(1046)	3644	2-8 3/8	(822)	1-4 33/64	(419)	3.71	(0.34)	3-5 3/16	(1046)
2248	1-6 3/8	(467)	1-6 33/64	(470)	2.36	(0.22)	3-1 3/16	(945)	3648	2-8 3/8	(822)	1-6 33/64	(470)	4.16	(0.39)	3-1 3/16	(945)
2252	1-6 3/8	(467)	1-8 33/64	(521)	2.62	(0.24)	2-9 3/16	(843)	3652	2-8 3/8	(822)	1-8 33/64	(521)	4.61	(0.43)	2-9 3/16	(843)
2256	1-6 3/8	(467)	1-10 33/64	(572)	2.87	(0.27)	2-5 3/16	(741)	3656	2-8 3/8	(822)	1-10 33/64	(572)	5.06	(0.47)	2-5 3/16	(741)
2260	1-6 3/8	(467)	2-0 33/64	(623)	3.13	(0.29)	2-1 3/16	(640)	3660	2-8 3/8	(822)	2-0 33/64	(623)	5.51	(0.51)	2-1 3/16	(640)
2264	1-6 3/8	(467)	2-2 33/64	(673)	3.38	(0.31)	1-9 3/16	(538)	3664 E	2-8 3/8	(822)	2-2 33/64	(673)	5.96	(0.55)	1-9 3/16	(538)
2268	1-6 3/8	(467)	2-4 33/64	(724)	3.64	(0.34)	1-5 3/16	(437)	3668 E	2-8 3/8	(822)	2-4 33/64	(724)	6.41	(0.60)	1-5 3/16	(437)
2272	1-6 3/8	(467)	2-6 33/64	(775)	3.89	(0.36)	1-1 3/16	(335)	3672 E	2-8 3/8	(822)	2-6 33/64	(775)	6.86	(0.64)	1-1 3/16	(335)
2276	1-6 3/8	(467)	2-8 33/64	(826)	4.15	(0.39)	0-9 3/16	(233)	3676 E	2-8 3/8	(822)	2-8 33/64	(826)	7.31	(0.68)	0-9 3/16	(233)
2636	1-10 3/8	(568)	1-0 33/64	(318)	1.94	(0.18)	4-1 3/16	(1249)	3836	2-10 3/8	(873)	1-0 33/64	(318)	2.99	(0.28)	4-1 3/16	(1249)
2640	1-10 3/8	(568)	1-2 33/64	(369)	2.25	(0.21)	3-9 3/16	(1148)	3840	2-10 3/8	(873)	1-2 33/64	(369)	3.46	(0.32)	3-9 3/16	(1148)
2644	1-10 3/8	(568)	1-4 33/64	(419)	2.57	(0.24)	3-5 3/16	(1046)	3844	2-10 3/8	(873)	1-4 33/64	(419)	3.94	(0.37)	3-5 3/16	(1046)
2648	1-10 3/8	(568)	1-6 33/64	(470)	2.88	(0.27)	3-1 3/16	(945)	3848	2-10 3/8	(873)	1-6 33/64	(470)	4.42	(0.41)	3-1 3/16	(945)
2652	1-10 3/8	(568)	1-8 33/64	(521)	3.19	(0.30)	2-9 3/16	(843)	3852	2-10 3/8	(873)	1-8 33/64	(521)	4.90	(0.45)	2-9 3/16	(843)
2656	1-10 3/8	(568)	1-10 33/64	(572)	3.50	(0.32)	2-5 3/16	(741)	3856	2-10 3/8	(873)	1-10 33/64	(572)	5.37	(0.50)	2-5 3/16	(741)
2660	1-10 3/8	(568)	2-0 33/64	(623)	3.81	(0.35)	2-1 3/16	(640)	3860 E	2-10 3/8	(873)	2-0 33/64	(623)	5.85	(0.54)	2-1 3/16	(640)
2664	1-10 3/8	(568)	2-2 33/64	(673)	4.12	(0.38)	1-9 3/16	(538)	3864 E	2-10 3/8	(873)	2-2 33/64	(673)	6.33	(0.59)	1-9 3/16	(538)
2668	1-10 3/8	(568)	2-4 33/64	(724)	4.43	(0.41)	1-5 3/16	(437)	3868 E	2-10 3/8	(873)	2-4 33/64	(724)	6.81	(0.63)	1-5 3/16	(437)
2672	1-10 3/8	(568)	2-6 33/64	(775)	4.74	(0.44)	1-1 3/16	(335)	3872 E	2-10 3/8	(873)	2-6 33/64	(775)	7.28	(0.68)	1-1 3/16	(335)
2676	1-10 3/8	(568)	2-8 33/64	(826)	5.05	(0.47)	0-9 3/16	(233)	3876 E	2-10 3/8	(873)	2-8 33/64	(826)	7.76	(0.72)	0-9 3/16	(233)
3036	2-2 3/8	(670)	1-0 33/64	(318)	2.29	(0.21)	4-1 3/16	(1249)	4236	3-2 3/8	(975)	1-0 33/64	(318)	3.33	(0.31)	4-1 3/16	(1249)
3040	2-2 3/8	(670)	1-2 33/64	(369)	2.66	(0.25)	3-9 3/16	(1148)	4240	3-2 3/8	(975)	1-2 33/64	(369)	3.87	(0.36)	3-9 3/16	(1148)
3044	2-2 3/8	(670)	1-4 33/64	(419)	3.02	(0.28)	3-5 3/16	(1046)	4244	3-2 3/8	(975)	1-4 33/64	(419)	4.40	(0.41)	3-5 3/16	(1046)
3048	2-2 3/8	(670)	1-6 33/64	(470)	3.39	(0.31)	3-1 3/16	(945)	4248	3-2 3/8	(975)	1-6 33/64	(470)	4.93	(0.46)	3-1 3/16	(945)
3052	2-2 3/8	(670)	1-8 33/64	(521)	3.76	(0.35)	2-9 3/16	(843)	4252	3-2 3/8	(975)	1-8 33/64	(521)	5.47	(0.51)	2-9 3/16	(843)
3056	2-2 3/8	(670)	1-10 33/64	(572)	4.12	(0.38)	2-5 3/16	(741)	4256	3-2 3/8	(975)	1-10 33/64	(572)	6.00	(0.56)	2-5 3/16	(741)
3060	2-2 3/8	(670)	2-0 33/64	(623)	4.49	(0.42)	2-1 3/16	(640)	4260 E	3-2 3/8	(975)	2-0 33/64	(623)	6.53	(0.61)	2-1 3/16	(640)
3064	2-2 3/8	(670)	2-2 33/64	(673)	4.86	(0.45)	1-9 3/16	(538)	4264 E	3-2 3/8	(975)	2-2 33/64	(673)	7.06	(0.66)	1-9 3/16	(538)
3068	2-2 3/8	(670)	2-4 33/64	(724)	5.22	(0.49)	1-5 3/16	(437)	4268 E	3-2 3/8	(975)	2-4 33/64	(724)	7.60	(0.71)	1-5 3/16	(437)
3072	2-2 3/8	(670)	2-6 33/64	(775)	5.59	(0.52)	1-1 3/16	(335)	4272 E	3-2 3/8	(975)	2-6 33/64	(775)	8.13	(0.76)	1-1 3/16	(335)
3076 E	2-2 3/8	(670)	2-8 33/64	(826)	5.95	(0.55)	0-9 3/16	(233)	4276 E	3-2 3/8	(975)	2-8 33/64	(826)	8.66	(0.80)	0-9 3/16	(233)
3236	2-4 3/8	(721)	1-0 33/64	(318)	2.47	(0.23)	4-1 3/16	(1249)	4836	3-8 3/8	(1127)	1-0 33/64	(318)	3.86	(0.36)	4-1 3/16	(1249)
3240	2-4 3/8	(721)	1-2 33/64	(369)	2.86	(0.27)	3-9 3/16	(1148)	4840	3-8 3/8	(1127)	1-2 33/64	(369)	4.47	(0.42)	3-9 3/16	(1148)
3244	2-4 3/8	(721)	1-4 33/64	(419)	3.25	(0.30)	3-5 3/16	(1046)	4844	3-8 3/8	(1127)	1-4 33/64	(419)	5.09	(0.47)	3-5 3/16	(1046)
3248	2-4 3/8	(721)	1-6 33/64	(470)	3.65	(0.34)	3-1 3/16	(945)	4848	3-8 3/8	(1127)	1-6 33/64	(470)	5.70	(0.53)	3-1 3/16	(945)
3252	2-4 3/8	(721)	1-8 33/64	(521)	4.04	(0.38)	2-9 3/16	(843)	4852	3-8 3/8	(1127)	1-8 33/64	(521)	6.32	(0.59)	2-9 3/16	(843)
3256	2-4 3/8	(721)	1-10 33/64	(572)	4.44	(0.41)	2-5 3/16	(741)	4856	3-8 3/8	(1127)	1-10 33/64	(572)	6.94	(0.64)	2-5 3/16	(741)
3260	2-4 3/8	(721)	2-0 33/64	(623)	4.83	(0.45)	2-1 3/16	(640)	4860 E	3-8 3/8	(1127)	2-0 33/64	(623)	7.55	(0.70)	2-1 3/16	(640)
3264	2-4 3/8	(721)	2-2 33/64	(673)	5.22	(0.49)	1-9 3/16	(538)	4864 E	3-8 3/8	(1127)	2-2 33/64	(673)	8.17	(0.76)	1-9 3/16	(538)
3268	2-4 3/8	(721)	2-4 33/64	(724)	5.62	(0.52)	1-5 3/16	(437)	4868 E	3-8 3/8	(1127)	2-4 33/64	(724)	8.79	(0.82)	1-5 3/16	(437)
3272 E	2-4 3/8	(721)	2-6 33/64	(775)	6.01	(0.56)	1-1 3/16	(335)	4872 E	3-8 3/8	(1127)	2-6 33/64	(775)	9.40	(0.87)	1-1 3/16	(335)
3276 E	2-4 3/8	(721)	2-8 33/64	(826)	6.41	(0.60)	0-9 3/16	(233)	4876 E	3-8 3/8	(1127)	2-8 33/64	(826)	10.02	(0.93)	0-9 3/16	(233)
3436	2-6 3/8	(771)	1-0 33/64	(318)	2.64	(0.25)	4-1 3/16	(1249)	5436	4-2 3/8	(1279)	1-0 33/64	(318)	4.38	(0.41)	4-1 3/16	(1249)
3440	2-6 3/8	(771)	1-2 33/64	(369)	3.06	(0.28)	3-9 3/16	(1148)	5440	4-2 3/8	(1279)	1-2 33/64	(369)	5.08	(0.47)	3-9 3/16	(1148)
3444	2-6 3/8	(771)	1-4 33/64	(419)	3.48	(0.32)	3-5 3/16	(1046)	5444	4-2 3/8	(1279)	1-4 33/64	(419)	5.78	(0.54)	3-5 3/16	(1046)
3448	2-6 3/8	(771)	1-6 33/64	(470)	3.90	(0.36)	3-1 3/16	(945)	5448	4-2 3/8	(1279)	1-6 33/64	(470)	6.48	(0.60)	3-1 3/16	(945)
3452	2-6 3/8	(771)	1-8 33/64	(521)	4.33	(0.40)	2-9 3/16	(843)	5452	4-2 3/8	(1279)	1-8 33/64	(521)	7.18	(0.67)	2-9 3/16	(843)
3456	2-6 3/8	(771)	1-10 33/64	(572)	4.75	(0.44)	2-5 3/16	(741)	5456	4-2 3/8	(1279)	1-10 33/64	(572)	7.88	(0.73)	2-5 3/16	(741)
3460	2-6 3/8	(771)	2-0 33/64	(623)	5.17	(0.48)	2-1 3/16	(640)	5460 E	4-2 3/8	(1279)	2-0 33/64	(623)	8.57	(0.80)	2-1 3/16	(640)
3464	2-6 3/8	(771)	2-2 33/64	(673)	5.59	(0.52)	1-9 3/16	(538)	5464 E	4-2 3/8	(1279)	2-2 33/64	(673)	9.27	(0.86)	1-9 3/16	(538)
3468 E	2-6 3/8	(771)	2-4 33/64	(724)	6.01	(0.56)	1-5 3/16	(437)	5468 E	4-2 3/8	(1279)	2-4 33/64	(724)	9.97	(0.93)	1-5 3/16	(437)
3472 E	2-6 3/8	(771)	2-6 33/64	(775)	6.44	(0.60)	1-1 3/16	(335)	5472 E	4-2 3/8	(1279)	2-6 33/64	(775)	10.67	(0.99)	1-1 3/16	(335)
3476 E	2-6 3/8	(771)	2-8 33/64	(826)	6.86	(0.64)	0-9 3/16	(233)	5476 E	4-2 3/8	(1279)	2-8 33/64	(826)	11.37	(1.06)	0-9 3/16	(233)

EGRESS and VENT MEASUREMENTS – IMPACT PRODUCT

CN	Egress Opening Width		Egress Opening Height		Egress Opening		Floor to Bottom of Clear Opening		CN	Egress Opening Width		Egress Opening Height		Egress Opening		Floor to Bottom of Clear Opening	
	ft – in	mm	ft – in	mm	ft ²	m ²	ft – in	mm		ft – in	mm	ft – in	mm	ft ²	m ²	ft – in	mm
2236	1-6 3/8	(467)	1-0 33/64	(318)	1.60	(0.15)	4-1 3/16	(1249)	3436	2-6 3/8	(771)	1-0 33/64	(318)	2.64	(0.25)	4-1 3/16	(1249)
2240	1-6 3/8	(467)	1-2 33/64	(369)	1.85	(0.17)	3-9 3/16	(1148)	3440	2-6 3/8	(771)	1-2 33/64	(369)	3.06	(0.28)	3-9 3/16	(1148)
2244	1-6 3/8	(467)	1-4 33/64	(419)	2.11	(0.20)	3-5 3/16	(1046)	3444	2-6 3/8	(771)	1-4 33/64	(419)	3.48	(0.32)	3-5 3/16	(1046)
2248	1-6 3/8	(467)	1-6 33/64	(470)	2.36	(0.22)	3-1 3/16	(945)	3448	2-6 3/8	(771)	1-6 33/64	(470)	3.90	(0.36)	3-1 3/16	(945)
2252	1-6 3/8	(467)	1-8 33/64	(521)	2.62	(0.24)	2-9 3/16	(843)	3452	2-6 3/8	(771)	1-8 33/64	(521)	4.33	(0.40)	2-9 3/16	(843)
2256	1-6 3/8	(467)	1-10 33/64	(572)	2.87	(0.27)	2-5 3/16	(741)	3456	2-6 3/8	(771)	1-10 33/64	(572)	4.75	(0.44)	2-5 3/16	(741)
2260	1-6 3/8	(467)	2-0 33/64	(623)	3.13	(0.29)	2-1 3/16	(640)	3460	2-6 3/8	(771)	2-0 33/64	(623)	5.17	(0.48)	2-1 3/16	(640)
2264	1-6 3/8	(467)	2-2 33/64	(673)	3.38	(0.31)	1-9 3/16	(538)	3464	2-6 3/8	(771)	2-2 33/64	(673)	5.59	(0.52)	1-9 3/16	(538)
2268	1-6 3/8	(467)	2-4 33/64	(724)	3.64	(0.34)	1-5 3/16	(437)	3468 E	2-6 3/8	(771)	2-4 33/64	(724)	6.01	(0.56)	1-5 3/16	(437)
2272	1-6 3/8	(467)	2-6 33/64	(775)	3.89	(0.36)	1-1 3/16	(335)	3472 E	2-6 3/8	(771)	2-6 33/64	(775)	6.44	(0.60)	1-1 3/16	(335)
2276	1-6 3/8	(467)	2-8 33/64	(826)	4.15	(0.39)	0-9 3/16	(233)	3476 E	2-6 3/8	(771)	2-8 33/64	(826)	6.86	(0.64)	0-9 3/16	(233)
2636	1-10 3/8	(568)	1-0 33/64	(318)	1.94	(0.18)	4-1 3/16	(1249)	3636	2-8 3/8	(822)	1-0 33/64	(318)	2.81	(0.26)	4-1 3/16	(1249)
2640	1-10 3/8	(568)	1-2 33/64	(369)	2.25	(0.21)	3-9 3/16	(1148)	3640	2-8 3/8	(822)	1-2 33/64	(369)	3.26	(0.30)	3-9 3/16	(1148)
2644	1-10 3/8	(568)	1-4 33/64	(419)	2.57	(0.24)	3-5 3/16	(1046)	3644	2-8 3/8	(822)	1-4 33/64	(419)	3.71	(0.34)	3-5 3/16	(1046)
2648	1-10 3/8	(568)	1-6 33/64	(470)	2.88	(0.27)	3-1 3/16	(945)	3648	2-8 3/8	(822)	1-6 33/64	(470)	4.16	(0.39)	3-1 3/16	(945)
2652	1-10 3/8	(568)	1-8 33/64	(521)	3.19	(0.30)	2-9 3/16	(843)	3652	2-8 3/8	(822)	1-8 33/64	(521)	4.61	(0.43)	2-9 3/16	(843)
2656	1-10 3/8	(568)	1-10 33/64	(572)	3.50	(0.32)	2-5 3/16	(741)	3656	2-8 3/8	(822)	1-10 33/64	(572)	5.06	(0.47)	2-5 3/16	(741)
2660	1-10 3/8	(568)	2-0 33/64	(623)	3.81	(0.35)	2-1 3/16	(640)	3660	2-8 3/8	(822)	2-0 33/64	(623)	5.51	(0.51)	2-1 3/16	(640)
2664	1-10 3/8	(568)	2-2 33/64	(673)	4.12	(0.38)	1-9 3/16	(538)	3664 E	2-8 3/8	(822)	2-2 33/64	(673)	5.96	(0.55)	1-9 3/16	(538)
2668	1-10 3/8	(568)	2-4 33/64	(724)	4.43	(0.41)	1-5 3/16	(437)	3668 E	2-8 3/8	(822)	2-4 33/64	(724)	6.41	(0.60)	1-5 3/16	(437)
2672	1-10 3/8	(568)	2-6 33/64	(775)	4.74	(0.44)	1-1 3/16	(335)	3672 E	2-8 3/8	(822)	2-6 33/64	(775)	6.86	(0.64)	1-1 3/16	(335)
2676	1-10 3/8	(568)	2-8 33/64	(826)	5.05	(0.47)	0-9 3/16	(233)	3676 E	2-8 3/8	(822)	2-4 1/64	(712)	6.30	(0.59)	0-9 3/16	(233)
3036	2-2 3/8	(670)	1-0 33/64	(318)	2.29	(0.21)	4-1 3/16	(1249)	3836	2-10 3/8	(873)	1-0 33/64	(318)	2.99	(0.28)	4-1 3/16	(1249)
3040	2-2 3/8	(670)	1-2 33/64	(369)	2.66	(0.25)	3-9 3/16	(1148)	3840	2-10 3/8	(873)	1-2 33/64	(369)	3.46	(0.32)	3-9 3/16	(1148)
3044	2-2 3/8	(670)	1-4 33/64	(419)	3.02	(0.28)	3-5 3/16	(1046)	3844	2-10 3/8	(873)	1-4 33/64	(419)	3.94	(0.37)	3-5 3/16	(1046)
3048	2-2 3/8	(670)	1-6 33/64	(470)	3.39	(0.31)	3-1 3/16	(945)	3848	2-10 3/8	(873)	1-6 33/64	(470)	4.42	(0.41)	3-1 3/16	(945)
3052	2-2 3/8	(670)	1-8 33/64	(521)	3.76	(0.35)	2-9 3/16	(843)	3852	2-10 3/8	(873)	1-8 33/64	(521)	4.90	(0.45)	2-9 3/16	(843)
3056	2-2 3/8	(670)	1-10 33/64	(572)	4.12	(0.38)	2-5 3/16	(741)	3856	2-10 3/8	(873)	1-10 33/64	(572)	5.37	(0.50)	2-5 3/16	(741)
3060	2-2 3/8	(670)	2-0 33/64	(623)	4.49	(0.42)	2-1 3/16	(640)	3860 E	2-10 3/8	(873)	2-0 33/64	(623)	5.85	(0.54)	2-1 3/16	(640)
3064	2-2 3/8	(670)	2-2 33/64	(673)	4.86	(0.45)	1-9 3/16	(538)	3864 E	2-10 3/8	(873)	2-2 33/64	(673)	6.33	(0.59)	1-9 3/16	(538)
3068	2-2 3/8	(670)	2-4 33/64	(724)	5.22	(0.49)	1-5 3/16	(437)	3868 E	2-10 3/8	(873)	2-4 33/64	(724)	6.81	(0.63)	1-5 3/16	(437)
3072	2-2 3/8	(670)	2-6 33/64	(775)	5.59	(0.52)	1-1 3/16	(335)	3872 E	2-10 3/8	(873)	2-6 33/64	(775)	7.28	(0.68)	1-1 3/16	(335)
3076 E	2-2 3/8	(670)	2-8 33/64	(826)	5.95	(0.55)	0-9 3/16	(233)	3876 E	2-10 3/8	(873)	2-4 1/64	(712)	6.69	(0.62)	0-9 3/16	(233)
3236	2-4 3/8	(721)	1-0 33/64	(318)	2.47	(0.23)	4-1 3/16	(1249)	4236	3-2 3/8	(975)	1-0 33/64	(318)	3.33	(0.31)	4-1 3/16	(1249)
3240	2-4 3/8	(721)	1-2 33/64	(369)	2.86	(0.27)	3-9 3/16	(1148)	4240	3-2 3/8	(975)	1-2 33/64	(369)	3.87	(0.36)	3-9 3/16	(1148)
3244	2-4 3/8	(721)	1-4 33/64	(419)	3.25	(0.30)	3-5 3/16	(1046)	4244	3-2 3/8	(975)	1-4 33/64	(419)	4.40	(0.41)	3-5 3/16	(1046)
3248	2-4 3/8	(721)	1-6 33/64	(470)	3.65	(0.34)	3-1 3/16	(945)	4248	3-2 3/8	(975)	1-6 33/64	(470)	4.93	(0.46)	3-1 3/16	(945)
3252	2-4 3/8	(721)	1-8 33/64	(521)	4.04	(0.38)	2-9 3/16	(843)	4252	3-2 3/8	(975)	1-8 33/64	(521)	5.47	(0.51)	2-9 3/16	(843)
3256	2-4 3/8	(721)	1-10 33/64	(572)	4.44	(0.41)	2-5 3/16	(741)	4256	3-2 3/8	(975)	1-10 33/64	(572)	6.00	(0.56)	2-5 3/16	(741)
3260	2-4 3/8	(721)	2-0 33/64	(623)	4.83	(0.45)	2-1 3/16	(640)	4260 E	3-2 3/8	(975)	2-0 33/64	(623)	6.53	(0.61)	2-1 3/16	(640)
3264	2-4 3/8	(721)	2-2 33/64	(673)	5.22	(0.49)	1-9 3/16	(538)	4264 E	3-2 3/8	(975)	2-2 33/64	(673)	7.06	(0.66)	1-9 3/16	(538)
3268	2-4 3/8	(721)	2-4 33/64	(724)	5.62	(0.52)	1-5 3/16	(437)	4268 E	3-2 3/8	(975)	2-4 33/64	(724)	7.60	(0.71)	1-5 3/16	(437)
3272 E	2-4 3/8	(721)	2-6 33/64	(775)	6.01	(0.56)	1-1 3/16	(335)									
3276 E	2-4 3/8	(721)	2-8 33/64	(826)	6.41	(0.60)	0-9 3/16	(233)									

EGRESS and VENT MEASUREMENTS – COTTAGE UNITS STANDARD PRODUCT

CN	Egress Opening Width		Egress Opening Height		Egress Opening		Floor to Bottom of Clear Opening		CN	Egress Opening Width		Egress Opening Height		Egress Opening		Floor to Bottom of Clear Opening	
	ft - in	mm	ft - in	mm	ft ²	m ²	ft - in	mm		ft - in	mm	ft - in	mm	ft ²	m ²	ft - in	mm
2236C	1-6 3/8	(467)	0-10 3/32	(256)	1.29	(0.12)	4-0 47/64	(1238)	3836C	2-10 3/8	(873)	0-10 3/32	(256)	2.41	(0.22)	4-0 47/64	(1238)
2240C	1-6 3/8	(467)	0-11 45/64	(297)	1.49	(0.14)	3-8 47/64	(1136)	3840C	2-10 3/8	(873)	0-11 45/64	(297)	2.79	(0.26)	3-8 47/64	(1136)
2244C	1-6 3/8	(467)	1-1 5/16	(338)	1.70	(0.16)	3-4 47/64	(1035)	3844C	2-10 3/8	(873)	1-1 5/16	(338)	3.18	(0.30)	3-4 47/64	(1035)
2248C	1-6 3/8	(467)	1-2 59/64	(379)	1.90	(0.18)	3-0 47/64	(933)	3848C	2-10 3/8	(873)	1-2 59/64	(379)	3.56	(0.33)	3-0 47/64	(933)
2252C	1-6 3/8	(467)	1-4 17/32	(420)	2.11	(0.20)	2-8 47/64	(831)	3852C	2-10 3/8	(873)	1-4 17/32	(420)	3.95	(0.37)	2-8 47/64	(831)
2256C	1-6 3/8	(467)	1-6 9/64	(461)	2.31	(0.22)	2-4 47/64	(730)	3856C	2-10 3/8	(873)	1-6 9/64	(461)	4.33	(0.40)	2-4 47/64	(730)
2260C	1-6 3/8	(467)	1-7 3/4	(502)	2.52	(0.23)	2-0 47/64	(628)	3860C	2-10 3/8	(873)	1-7 3/4	(502)	4.71	(0.44)	2-0 47/64	(628)
2264C	1-6 3/8	(467)	1-9 23/64	(543)	2.73	(0.25)	1-8 47/64	(527)	3864C	2-10 3/8	(873)	1-9 23/64	(543)	5.10	(0.47)	1-8 47/64	(527)
2268C	1-6 3/8	(467)	1-10 31/32	(583)	2.93	(0.27)	1-4 47/64	(425)	3868C	2-10 3/8	(873)	1-10 31/32	(583)	5.48	(0.51)	1-4 47/64	(425)
2636C	1-10 3/8	(568)	0-10 3/32	(256)	1.57	(0.15)	4-0 47/64	(1238)	4236C	3-2 3/8	(975)	0-10 3/32	(256)	2.69	(0.25)	4-0 47/64	(1238)
2640C	1-10 3/8	(568)	0-11 45/64	(297)	1.82	(0.17)	3-8 47/64	(1136)	4240C	3-2 3/8	(975)	0-11 45/64	(297)	3.12	(0.29)	3-8 47/64	(1136)
2644C	1-10 3/8	(568)	1-1 5/16	(338)	2.07	(0.19)	3-4 47/64	(1035)	4244C	3-2 3/8	(975)	1-1 5/16	(338)	3.55	(0.33)	3-4 47/64	(1035)
2648C	1-10 3/8	(568)	1-2 59/64	(379)	2.32	(0.22)	3-0 47/64	(933)	4248C	3-2 3/8	(975)	1-2 59/64	(379)	3.98	(0.37)	3-0 47/64	(933)
2652C	1-10 3/8	(568)	1-4 17/32	(420)	2.57	(0.24)	2-8 47/64	(831)	4252C	3-2 3/8	(975)	1-4 17/32	(420)	4.41	(0.41)	2-8 47/64	(831)
2656C	1-10 3/8	(568)	1-6 9/64	(461)	2.82	(0.26)	2-4 47/64	(730)	4256C	3-2 3/8	(975)	1-6 9/64	(461)	4.83	(0.45)	2-4 47/64	(730)
2660C	1-10 3/8	(568)	1-7 3/4	(502)	3.07	(0.29)	2-0 47/64	(628)	4260C	3-2 3/8	(975)	1-7 3/4	(502)	5.26	(0.49)	2-0 47/64	(628)
2664C	1-10 3/8	(568)	1-9 23/64	(543)	3.32	(0.31)	1-8 47/64	(527)	4264C	3-2 3/8	(975)	1-9 23/64	(543)	5.69	(0.53)	1-8 47/64	(527)
2668C	1-10 3/8	(568)	1-10 31/32	(583)	3.57	(0.33)	1-4 47/64	(425)	4268C	3-2 3/8	(975)	1-10 31/32	(583)	6.12	(0.57)	1-4 47/64	(425)
3036C	2-2 3/8	(670)	0-10 3/32	(256)	1.85	(0.17)	4-0 47/64	(1238)	4836C	3-8 3/8	(1127)	0-10 3/32	(256)	3.11	(0.29)	4-0 47/64	(1238)
3040C	2-2 3/8	(670)	0-11 45/64	(297)	2.14	(0.20)	3-8 47/64	(1136)	4840C	3-8 3/8	(1127)	0-11 45/64	(297)	3.61	(0.33)	3-8 47/64	(1136)
3044C	2-2 3/8	(670)	1-1 5/16	(338)	2.44	(0.23)	3-4 47/64	(1035)	4844C	3-8 3/8	(1127)	1-1 5/16	(338)	4.10	(0.38)	3-4 47/64	(1035)
3048C	2-2 3/8	(670)	1-2 59/64	(379)	2.73	(0.25)	3-0 47/64	(933)	4848C	3-8 3/8	(1127)	1-2 59/64	(379)	4.60	(0.43)	3-0 47/64	(933)
3052C	2-2 3/8	(670)	1-4 17/32	(420)	3.03	(0.28)	2-8 47/64	(831)	4852C	3-8 3/8	(1127)	1-4 17/32	(420)	5.09	(0.47)	2-8 47/64	(831)
3056C	2-2 3/8	(670)	1-6 9/64	(461)	3.32	(0.31)	2-4 47/64	(730)	4856C	3-8 3/8	(1127)	1-6 9/64	(461)	5.59	(0.52)	2-4 47/64	(730)
3060C	2-2 3/8	(670)	1-7 3/4	(502)	3.62	(0.34)	2-0 47/64	(628)	4860C	3-8 3/8	(1127)	1-7 3/4	(502)	6.09	(0.57)	2-0 47/64	(628)
3064C	2-2 3/8	(670)	1-9 23/64	(543)	3.91	(0.36)	1-8 47/64	(527)	4864C	3-8 3/8	(1127)	1-9 23/64	(543)	6.58	(0.61)	1-8 47/64	(527)
3068C	2-2 3/8	(670)	1-10 31/32	(583)	4.21	(0.39)	1-4 47/64	(425)	4868C	3-8 3/8	(1127)	1-10 31/32	(583)	7.08	(0.66)	1-4 47/64	(425)
3236C	2-4 3/8	(721)	0-10 3/32	(256)	1.99	(0.18)	4-0 47/64	(1238)	5436C	4-2 3/8	(1279)	0-10 3/32	(256)	3.53	(0.33)	4-0 47/64	(1238)
3240C	2-4 3/8	(721)	0-11 45/64	(297)	2.31	(0.21)	3-8 47/64	(1136)	5440C	4-2 3/8	(1279)	0-11 45/64	(297)	4.09	(0.38)	3-8 47/64	(1136)
3244C	2-4 3/8	(721)	1-1 5/16	(338)	2.62	(0.24)	3-4 47/64	(1035)	5444C	4-2 3/8	(1279)	1-1 5/16	(338)	4.66	(0.43)	3-4 47/64	(1035)
3248C	2-4 3/8	(721)	1-2 59/64	(379)	2.94	(0.27)	3-0 47/64	(933)	5448C	4-2 3/8	(1279)	1-2 59/64	(379)	5.22	(0.48)	3-0 47/64	(933)
3252C	2-4 3/8	(721)	1-4 17/32	(420)	3.26	(0.30)	2-8 47/64	(831)	5452C	4-2 3/8	(1279)	1-4 17/32	(420)	5.78	(0.54)	2-8 47/64	(831)
3256C	2-4 3/8	(721)	1-6 9/64	(461)	3.57	(0.33)	2-4 47/64	(730)	5456C	4-2 3/8	(1279)	1-6 9/64	(461)	6.35	(0.59)	2-4 47/64	(730)
3260C	2-4 3/8	(721)	1-7 3/4	(502)	3.89	(0.36)	2-0 47/64	(628)	5460C	4-2 3/8	(1279)	1-7 3/4	(502)	6.91	(0.64)	2-0 47/64	(628)
3264C	2-4 3/8	(721)	1-9 23/64	(543)	4.21	(0.39)	1-8 47/64	(527)	5464C	4-2 3/8	(1279)	1-9 23/64	(543)	7.47	(0.69)	1-8 47/64	(527)
3268C	2-4 3/8	(721)	1-10 31/32	(583)	4.53	(0.42)	1-4 47/64	(425)	5468C	4-2 3/8	(1279)	1-10 31/32	(583)	8.04	(0.75)	1-4 47/64	(425)
3436C	2-6 3/8	(771)	0-10 3/32	(256)	2.13	(0.20)	4-0 47/64	(1238)									
3440C	2-6 3/8	(771)	0-11 45/64	(297)	2.47	(0.23)	3-8 47/64	(1136)									
3444C	2-6 3/8	(771)	1-1 5/16	(338)	2.81	(0.26)	3-4 47/64	(1035)									
3448C	2-6 3/8	(771)	1-2 59/64	(379)	3.15	(0.29)	3-0 47/64	(933)									
3452C	2-6 3/8	(771)	1-4 17/32	(420)	3.49	(0.32)	2-8 47/64	(831)									
3456C	2-6 3/8	(771)	1-6 9/64	(461)	3.83	(0.36)	2-4 47/64	(730)									
3460C	2-6 3/8	(771)	1-7 3/4	(502)	4.17	(0.39)	2-0 47/64	(628)									
3464C	2-6 3/8	(771)	1-9 23/64	(543)	4.51	(0.42)	1-8 47/64	(527)									
3468C	2-6 3/8	(771)	1-10 31/32	(583)	4.84	(0.45)	1-4 47/64	(425)									
3636C	2-8 3/8	(822)	0-10 3/32	(256)	2.27	(0.21)	4-0 47/64	(1238)									
3640C	2-8 3/8	(822)	0-11 45/64	(297)	2.63	(0.24)	3-8 47/64	(1136)									
3644C	2-8 3/8	(822)	1-1 5/16	(338)	2.99	(0.28)	3-4 47/64	(1035)									
3648C	2-8 3/8	(822)	1-2 59/64	(379)	3.35	(0.31)	3-0 47/64	(933)									
3652C	2-8 3/8	(822)	1-4 17/32	(420)	3.72	(0.35)	2-8 47/64	(831)									
3656C	2-8 3/8	(822)	1-6 9/64	(461)	4.08	(0.38)	2-4 47/64	(730)									
3660C	2-8 3/8	(822)	1-7 3/4	(502)	4.44	(0.41)	2-0 47/64	(628)									
3664C	2-8 3/8	(822)	1-9 23/64	(543)	4.80	(0.45)	1-8 47/64	(527)									
3668C	2-8 3/8	(822)	1-10 31/32	(583)	5.16	(0.48)	1-4 47/64	(425)									

EGRESS and VENT MEASUREMENTS – COTTAGE UNITS HIGH PERFORMANCE PRODUCT

CN	Egress Opening Width		Egress Opening Height		Egress Opening		Floor to Bottom of Clear Opening		CN	Egress Opening Width		Egress Opening Height		Egress Opening		Floor to Bottom of Clear Opening	
	ft - in	mm	ft - in	mm	ft ²	m ²	ft - in	mm		ft - in	mm	ft - in	mm	ft ²	m ²	ft - in	mm
2236C	1-6 3/8	(467)	0-9 41/64	(245)	1.23	(0.11)	4-1 3/16	(1249)	3636C	2-8 3/8	(822)	0-9 41/64	(245)	2.17	(0.20)	4-1 3/16	(1249)
2240C	1-6 3/8	(467)	0-11 1/4	(286)	1.43	(0.13)	3-9 3/16	(1148)	3640C	2-8 3/8	(822)	0-11 1/4	(286)	2.53	(0.23)	3-9 3/16	(1148)
2244C	1-6 3/8	(467)	1-0 55/64	(326)	1.64	(0.15)	3-5 3/16	(1046)	3644C	2-8 3/8	(822)	1-0 55/64	(326)	2.89	(0.27)	3-5 3/16	(1046)
2248C	1-6 3/8	(467)	1-2 15/32	(367)	1.85	(0.17)	3-1 3/16	(945)	3648C	2-8 3/8	(822)	1-2 15/32	(367)	3.25	(0.30)	3-1 3/16	(945)
2252C	1-6 3/8	(467)	1-4 5/64	(408)	2.05	(0.19)	2-9 3/16	(843)	3652C	2-8 3/8	(822)	1-4 5/64	(408)	3.61	(0.34)	2-9 3/16	(843)
2256C	1-6 3/8	(467)	1-5 11/16	(449)	2.26	(0.21)	2-5 3/16	(741)	3656C	2-8 3/8	(822)	1-5 11/16	(449)	3.98	(0.37)	2-5 3/16	(741)
2260C	1-6 3/8	(467)	1-7 19/64	(490)	2.46	(0.23)	2-1 3/16	(640)	3660C	2-8 3/8	(822)	1-7 19/64	(490)	4.34	(0.40)	2-1 3/16	(640)
2264C	1-6 3/8	(467)	1-8 29/32	(531)	2.67	(0.25)	1-9 3/16	(538)	3664C	2-8 3/8	(822)	1-8 29/32	(531)	4.70	(0.44)	1-9 3/16	(538)
2268C	1-6 3/8	(467)	1-10 33/64	(572)	2.87	(0.27)	1-5 3/16	(437)	3668C	2-8 3/8	(822)	1-10 33/64	(572)	5.06	(0.47)	1-5 3/16	(437)
2636C	1-10 3/8	(568)	0-9 41/64	(245)	1.50	(0.14)	4-1 3/16	(1249)	3836C	2-10 3/8	(873)	0-9 41/64	(245)	2.30	(0.21)	4-1 3/16	(1249)
2640C	1-10 3/8	(568)	0-11 1/4	(286)	1.75	(0.16)	3-9 3/16	(1148)	3840C	2-10 3/8	(873)	0-11 1/4	(286)	2.68	(0.25)	3-9 3/16	(1148)
2644C	1-10 3/8	(568)	1-0 55/64	(326)	2.00	(0.19)	3-5 3/16	(1046)	3844C	2-10 3/8	(873)	1-0 55/64	(326)	3.07	(0.29)	3-5 3/16	(1046)
2648C	1-10 3/8	(568)	1-2 15/32	(367)	2.25	(0.21)	3-1 3/16	(945)	3848C	2-10 3/8	(873)	1-2 15/32	(367)	3.45	(0.32)	3-1 3/16	(945)
2652C	1-10 3/8	(568)	1-4 5/64	(408)	2.50	(0.23)	2-9 3/16	(843)	3852C	2-10 3/8	(873)	1-4 5/64	(408)	3.84	(0.36)	2-9 3/16	(843)
2656C	1-10 3/8	(568)	1-5 11/16	(449)	2.75	(0.26)	2-5 3/16	(741)	3856C	2-10 3/8	(873)	1-5 11/16	(449)	4.22	(0.39)	2-5 3/16	(741)
2660C	1-10 3/8	(568)	1-7 19/64	(490)	3.00	(0.28)	2-1 3/16	(640)	3860C	2-10 3/8	(873)	1-7 19/64	(490)	4.61	(0.43)	2-1 3/16	(640)
2664C	1-10 3/8	(568)	1-8 29/32	(531)	3.25	(0.30)	1-9 3/16	(538)	3864C	2-10 3/8	(873)	1-8 29/32	(531)	4.99	(0.46)	1-9 3/16	(538)
2668C	1-10 3/8	(568)	1-10 33/64	(572)	3.50	(0.32)	1-5 3/16	(437)	3868C	2-10 3/8	(873)	1-10 33/64	(572)	5.37	(0.50)	1-5 3/16	(437)
3036C	2-2 3/8	(670)	0-9 41/64	(245)	1.76	(0.16)	4-1 3/16	(1249)	4236C	3-2 3/8	(975)	0-9 41/64	(245)	2.57	(0.24)	4-1 3/16	(1249)
3040C	2-2 3/8	(670)	0-11 1/4	(286)	2.06	(0.19)	3-9 3/16	(1148)	4240C	3-2 3/8	(975)	0-11 1/4	(286)	3.00	(0.28)	3-9 3/16	(1148)
3044C	2-2 3/8	(670)	1-0 55/64	(326)	2.35	(0.22)	3-5 3/16	(1046)	4244C	3-2 3/8	(975)	1-0 55/64	(326)	3.42	(0.32)	3-5 3/16	(1046)
3048C	2-2 3/8	(670)	1-2 15/32	(367)	2.65	(0.25)	3-1 3/16	(945)	4248C	3-2 3/8	(975)	1-2 15/32	(367)	3.85	(0.36)	3-1 3/16	(945)
3052C	2-2 3/8	(670)	1-4 5/64	(408)	2.94	(0.27)	2-9 3/16	(843)	4252C	3-2 3/8	(975)	1-4 5/64	(408)	4.28	(0.40)	2-9 3/16	(843)
3056C	2-2 3/8	(670)	1-5 11/16	(449)	3.24	(0.30)	2-5 3/16	(741)	4256C	3-2 3/8	(975)	1-5 11/16	(449)	4.71	(0.44)	2-5 3/16	(741)
3060C	2-2 3/8	(670)	1-7 19/64	(490)	3.53	(0.33)	2-1 3/16	(640)	4260C	3-2 3/8	(975)	1-7 19/64	(490)	5.14	(0.48)	2-1 3/16	(640)
3064C	2-2 3/8	(670)	1-8 29/32	(531)	3.83	(0.36)	1-9 3/16	(538)	4264C	3-2 3/8	(975)	1-8 29/32	(531)	5.57	(0.52)	1-9 3/16	(538)
3068C	2-2 3/8	(670)	1-10 33/64	(572)	4.12	(0.38)	1-5 3/16	(437)	4268C	3-2 3/8	(975)	1-10 33/64	(572)	6.00	(0.56)	1-5 3/16	(437)
3236C	2-4 3/8	(721)	0-9 41/64	(245)	1.90	(0.18)	4-1 3/16	(1249)	4836C	3-8 3/8	(1127)	0-9 41/64	(245)	2.97	(0.28)	4-1 3/16	(1249)
3240C	2-4 3/8	(721)	0-11 1/4	(286)	2.22	(0.21)	3-9 3/16	(1148)	4840C	3-8 3/8	(1127)	0-11 1/4	(286)	3.46	(0.32)	3-9 3/16	(1148)
3244C	2-4 3/8	(721)	1-0 55/64	(326)	2.53	(0.24)	3-5 3/16	(1046)	4844C	3-8 3/8	(1127)	1-0 55/64	(326)	3.96	(0.37)	3-5 3/16	(1046)
3248C	2-4 3/8	(721)	1-2 15/32	(367)	2.85	(0.26)	3-1 3/16	(945)	4848C	3-8 3/8	(1127)	1-2 15/32	(367)	4.46	(0.41)	3-1 3/16	(945)
3252C	2-4 3/8	(721)	1-4 5/64	(408)	3.17	(0.29)	2-9 3/16	(843)	4852C	3-8 3/8	(1127)	1-4 5/64	(408)	4.95	(0.46)	2-9 3/16	(843)
3256C	2-4 3/8	(721)	1-5 11/16	(449)	3.48	(0.32)	2-5 3/16	(741)	4856C	3-8 3/8	(1127)	1-5 11/16	(449)	5.45	(0.51)	2-5 3/16	(741)
3260C	2-4 3/8	(721)	1-7 19/64	(490)	3.80	(0.35)	2-1 3/16	(640)	4860C	3-8 3/8	(1127)	1-7 19/64	(490)	5.94	(0.55)	2-1 3/16	(640)
3264C	2-4 3/8	(721)	1-8 29/32	(531)	4.12	(0.38)	1-9 3/16	(538)	4864C	3-8 3/8	(1127)	1-8 29/32	(531)	6.44	(0.60)	1-9 3/16	(538)
3268C	2-4 3/8	(721)	1-10 33/64	(572)	4.44	(0.41)	1-5 3/16	(437)	4868C	3-8 3/8	(1127)	1-10 33/64	(572)	6.94	(0.64)	1-5 3/16	(437)
3436C	2-6 3/8	(771)	0-9 41/64	(245)	2.03	(0.19)	4-1 3/16	(1249)	5436C	4-2 3/8	(1279)	0-9 41/64	(245)	3.37	(0.31)	4-1 3/16	(1249)
3440C	2-6 3/8	(771)	0-11 1/4	(286)	2.37	(0.22)	3-9 3/16	(1148)	5440C	4-2 3/8	(1279)	0-11 1/4	(286)	3.93	(0.37)	3-9 3/16	(1148)
3444C	2-6 3/8	(771)	1-0 55/64	(326)	2.71	(0.25)	3-5 3/16	(1046)	5444C	4-2 3/8	(1279)	1-0 55/64	(326)	4.50	(0.42)	3-5 3/16	(1046)
3448C	2-6 3/8	(771)	1-2 15/32	(367)	3.05	(0.28)	3-1 3/16	(945)	5448C	4-2 3/8	(1279)	1-2 15/32	(367)	5.06	(0.47)	3-1 3/16	(945)
3452C	2-6 3/8	(771)	1-4 5/64	(408)	3.39	(0.31)	2-9 3/16	(843)	5452C	4-2 3/8	(1279)	1-4 5/64	(408)	5.62	(0.52)	2-9 3/16	(843)
3456C	2-6 3/8	(771)	1-5 11/16	(449)	3.73	(0.35)	2-5 3/16	(741)	5456C	4-2 3/8	(1279)	1-5 11/16	(449)	6.19	(0.57)	2-5 3/16	(741)
3460C	2-6 3/8	(771)	1-7 19/64	(490)	4.07	(0.38)	2-1 3/16	(640)	5460C	4-2 3/8	(1279)	1-7 19/64	(490)	6.75	(0.63)	2-1 3/16	(640)
3464C	2-6 3/8	(771)	1-8 29/32	(531)	4.41	(0.41)	1-9 3/16	(538)	5464C	4-2 3/8	(1279)	1-8 29/32	(531)	7.31	(0.68)	1-9 3/16	(538)
3468C	2-6 3/8	(771)	1-10 33/64	(572)	4.75	(0.44)	1-5 3/16	(437)	5468C	4-2 3/8	(1279)	1-10 33/64	(572)	7.87	(0.73)	1-5 3/16	(437)

NOTE: CE mark is not available on High Performance units.

EGRESS and VENT MEASUREMENTS – COTTAGE UNITS IMPACT PRODUCT

CN	Egress Opening Width		Egress Opening Height		Egress Opening		Floor to Bottom of Clear Opening		CN	Egress Opening Width		Egress Opening Height		Egress Opening		Floor to Bottom of Clear Opening	
	ft – in	mm	ft – in	mm	ft ²	m ²	ft – in	mm		ft – in	mm	ft – in	mm	ft ²	m ²	ft – in	mm
2244C	1-6 3/8	(467)	1-0 55/64	(326)	1.64	(0.15)	3-5 3/16	(1046)	3844C	2-10 3/8	(873)	1-0 55/64	(326)	3.07	(0.29)	3-5 3/16	(1046)
2248C	1-6 3/8	(467)	1-2 15/32	(367)	1.85	(0.17)	3-1 3/16	(945)	3848C	2-10 3/8	(873)	1-2 15/32	(367)	3.45	(0.32)	3-1 3/16	(945)
2252C	1-6 3/8	(467)	1-4 5/64	(408)	2.05	(0.19)	2-9 3/16	(843)	3852C	2-10 3/8	(873)	1-4 5/64	(408)	3.84	(0.36)	2-9 3/16	(843)
2256C	1-6 3/8	(467)	1-5 11/16	(449)	2.26	(0.21)	2-5 3/16	(741)	3856C	2-10 3/8	(873)	1-5 11/16	(449)	4.22	(0.39)	2-5 3/16	(741)
2260C	1-6 3/8	(467)	1-7 19/64	(490)	2.46	(0.23)	2-1 3/16	(640)	3860C	2-10 3/8	(873)	1-7 19/64	(490)	4.61	(0.43)	2-1 3/16	(640)
2264C	1-6 3/8	(467)	1-8 29/32	(531)	2.67	(0.25)	1-9 3/16	(538)	3864C	2-10 3/8	(873)	1-8 29/32	(531)	4.99	(0.46)	1-9 3/16	(538)
2268C	1-6 3/8	(467)	1-10 33/64	(572)	2.87	(0.27)	1-5 3/16	(437)	3868C	2-10 3/8	(873)	1-10 33/64	(572)	5.37	(0.50)	1-5 3/16	(437)
2644C	1-10 3/8	(568)	1-0 55/64	(326)	2.00	(0.19)	3-5 3/16	(1046)	4244C	3-2 3/8	(975)	1-0 55/64	(326)	3.42	(0.32)	3-5 3/16	(1046)
2648C	1-10 3/8	(568)	1-2 15/32	(367)	2.25	(0.21)	3-1 3/16	(945)	4248C	3-2 3/8	(975)	1-2 15/32	(367)	3.85	(0.36)	3-1 3/16	(945)
2652C	1-10 3/8	(568)	1-4 5/64	(408)	2.50	(0.23)	2-9 3/16	(843)	4252C	3-2 3/8	(975)	1-4 5/64	(408)	4.28	(0.40)	2-9 3/16	(843)
2656C	1-10 3/8	(568)	1-5 11/16	(449)	2.75	(0.26)	2-5 3/16	(741)	4256C	3-2 3/8	(975)	1-5 11/16	(449)	4.71	(0.44)	2-5 3/16	(741)
2660C	1-10 3/8	(568)	1-7 19/64	(490)	3.00	(0.28)	2-1 3/16	(640)	4260C	3-2 3/8	(975)	1-7 19/64	(490)	5.14	(0.48)	2-1 3/16	(640)
2664C	1-10 3/8	(568)	1-8 29/32	(531)	3.25	(0.30)	1-9 3/16	(538)	4264C	3-2 3/8	(975)	1-8 29/32	(531)	5.57	(0.52)	1-9 3/16	(538)
2668C	1-10 3/8	(568)	1-10 33/64	(572)	3.50	(0.32)	1-5 3/16	(437)									
3044C	2-2 3/8	(670)	1-0 55/64	(326)	2.35	(0.22)	3-5 3/16	(1046)									
3048C	2-2 3/8	(670)	1-2 15/32	(367)	2.65	(0.25)	3-1 3/16	(945)									
3052C	2-2 3/8	(670)	1-4 5/64	(408)	2.94	(0.27)	2-9 3/16	(843)									
3056C	2-2 3/8	(670)	1-5 11/16	(449)	3.24	(0.30)	2-5 3/16	(741)									
3060C	2-2 3/8	(670)	1-7 19/64	(490)	3.53	(0.33)	2-1 3/16	(640)									
3064C	2-2 3/8	(670)	1-8 29/32	(531)	3.83	(0.36)	1-9 3/16	(538)									
3068C	2-2 3/8	(670)	1-10 33/64	(572)	4.12	(0.38)	1-5 3/16	(437)									
3244C	2-4 3/8	(721)	1-0 55/64	(326)	2.53	(0.24)	3-5 3/16	(1046)									
3248C	2-4 3/8	(721)	1-2 15/32	(367)	2.85	(0.26)	3-1 3/16	(945)									
3252C	2-4 3/8	(721)	1-4 5/64	(408)	3.17	(0.29)	2-9 3/16	(843)									
3256C	2-4 3/8	(721)	1-5 11/16	(449)	3.48	(0.32)	2-5 3/16	(741)									
3260C	2-4 3/8	(721)	1-7 19/64	(490)	3.80	(0.35)	2-1 3/16	(640)									
3264C	2-4 3/8	(721)	1-8 29/32	(531)	4.12	(0.38)	1-9 3/16	(538)									
3268C	2-4 3/8	(721)	1-10 33/64	(572)	4.44	(0.41)	1-5 3/16	(437)									
3444C	2-6 3/8	(771)	1-0 55/64	(326)	2.71	(0.25)	3-5 3/16	(1046)									
3448C	2-6 3/8	(771)	1-2 15/32	(367)	3.05	(0.28)	3-1 3/16	(945)									
3452C	2-6 3/8	(771)	1-4 5/64	(408)	3.39	(0.31)	2-9 3/16	(843)									
3456C	2-6 3/8	(771)	1-5 11/16	(449)	3.73	(0.35)	2-5 3/16	(741)									
3460C	2-6 3/8	(771)	1-7 19/64	(490)	4.07	(0.38)	2-1 3/16	(640)									
3464C	2-6 3/8	(771)	1-8 29/32	(531)	4.41	(0.41)	1-9 3/16	(538)									
3468C	2-6 3/8	(771)	1-10 33/64	(572)	4.75	(0.44)	1-5 3/16	(437)									
3644C	2-8 3/8	(822)	1-0 55/64	(326)	2.89	(0.27)	3-5 3/16	(1046)									
3648C	2-8 3/8	(822)	1-2 15/32	(367)	3.25	(0.30)	3-1 3/16	(945)									
3652C	2-8 3/8	(822)	1-4 5/64	(408)	3.61	(0.34)	2-9 3/16	(843)									
3656C	2-8 3/8	(822)	1-5 11/16	(449)	3.98	(0.37)	2-5 3/16	(741)									
3660C	2-8 3/8	(822)	1-7 19/64	(490)	4.34	(0.40)	2-1 3/16	(640)									
3664C	2-8 3/8	(822)	1-8 29/32	(531)	4.70	(0.44)	1-9 3/16	(538)									
3668C	2-8 3/8	(822)	1-10 33/64	(572)	5.06	(0.47)	1-5 3/16	(437)									

NOTE: CE mark is not available on Impact units.

EGRESS and VENT MEASUREMENTS – REVERSE COTTAGE UNITS STANDARD PRODUCT

CN	Egress Opening Width		Egress Opening Height		Egress Opening		Floor to Bottom of Clear Opening		CN	Egress Opening Width		Egress Opening Height		Egress Opening		Floor to Bottom of Clear Opening	
	ft - in	mm	ft - in	mm	ft ²	m ²	ft - in	mm		ft - in	mm	ft - in	mm	ft ²	m ²	ft - in	mm
2236RC	1-6 3/8	(467)	0-10 1/32	(255)	1.28	(0.12)	4-0 47/64	(1238)	3836RC	2-10 3/8	(873)	0-10 1/32	(255)	2.40	(0.22)	4-0 47/64	(1238)
2240RC	1-6 3/8	(467)	1-0 27/64	(316)	1.59	(0.15)	3-8 47/64	(1136)	3840RC	2-10 3/8	(873)	1-0 27/64	(316)	2.97	(0.28)	3-8 47/64	(1136)
2244RC	1-6 3/8	(467)	0-10 13/16	(275)	1.38	(0.13)	3-4 47/64	(1035)	3844RC	2-10 3/8	(873)	0-10 13/16	(275)	2.58	(0.24)	3-4 47/64	(1035)
2248RC	1-6 3/8	(467)	1-1 13/64	(336)	1.69	(0.16)	3-0 47/64	(933)	3848RC	2-10 3/8	(873)	1-1 13/64	(336)	3.15	(0.29)	3-0 47/64	(933)
2252RC	1-6 3/8	(467)	1-3 19/32	(396)	1.99	(0.18)	2-8 47/64	(831)	3852RC	2-10 3/8	(873)	1-3 19/32	(396)	3.72	(0.35)	2-8 47/64	(831)
2256RC	1-6 3/8	(467)	1-5 63/64	(457)	2.30	(0.21)	2-4 47/64	(730)	3856RC	2-10 3/8	(873)	1-5 63/64	(457)	4.29	(0.40)	2-4 47/64	(730)
2260RC	1-6 3/8	(467)	1-8 3/8	(518)	2.60	(0.24)	2-0 47/64	(628)	3860RC	2-10 3/8	(873)	1-8 3/8	(518)	4.86	(0.45)	2-0 47/64	(628)
2264RC	1-6 3/8	(467)	1-10 49/64	(578)	2.91	(0.27)	1-8 47/64	(527)	3864RC	2-10 3/8	(873)	1-10 49/64	(578)	5.44	(0.50)	1-8 47/64	(527)
2268RC	1-6 3/8	(467)	1-11 11/16	(602)	3.02	(0.28)	1-4 47/64	(425)	3868RC	2-10 3/8	(873)	1-11 11/16	(602)	5.65	(0.53)	1-4 47/64	(425)
2636RC	1-10 3/8	(568)	0-10 1/32	(255)	1.56	(0.14)	4-0 47/64	(1238)	4236RC	3-2 3/8	(975)	0-10 1/32	(255)	2.67	(0.25)	4-0 47/64	(1238)
2640RC	1-10 3/8	(568)	1-0 27/64	(316)	1.93	(0.18)	3-8 47/64	(1136)	4240RC	3-2 3/8	(975)	1-0 27/64	(316)	3.31	(0.31)	3-8 47/64	(1136)
2644RC	1-10 3/8	(568)	0-10 13/16	(275)	1.68	(0.16)	3-4 47/64	(1035)	4244RC	3-2 3/8	(975)	0-10 13/16	(275)	2.88	(0.27)	3-4 47/64	(1035)
2648RC	1-10 3/8	(568)	1-1 13/64	(336)	2.05	(0.19)	3-0 47/64	(933)	4248RC	3-2 3/8	(975)	1-1 13/64	(336)	3.52	(0.33)	3-0 47/64	(933)
2652RC	1-10 3/8	(568)	1-3 19/32	(396)	2.42	(0.23)	2-8 47/64	(831)	4252RC	3-2 3/8	(975)	1-3 19/32	(396)	4.16	(0.39)	2-8 47/64	(831)
2656RC	1-10 3/8	(568)	1-5 63/64	(457)	2.79	(0.26)	2-4 47/64	(730)	4256RC	3-2 3/8	(975)	1-5 63/64	(457)	4.79	(0.45)	2-4 47/64	(730)
2660RC	1-10 3/8	(568)	1-8 3/8	(518)	3.17	(0.29)	2-0 47/64	(628)	4260RC	3-2 3/8	(975)	1-8 3/8	(518)	5.43	(0.50)	2-0 47/64	(628)
2664RC	1-10 3/8	(568)	1-10 49/64	(578)	3.54	(0.33)	1-8 47/64	(527)	4264RC	3-2 3/8	(975)	1-10 49/64	(578)	6.07	(0.56)	1-8 47/64	(527)
2668RC	1-10 3/8	(568)	1-11 11/16	(602)	3.68	(0.34)	1-4 47/64	(425)	4268RC	3-2 3/8	(975)	1-11 11/16	(602)	6.31	(0.59)	1-4 47/64	(425)
3036RC	2-2 3/8	(670)	0-10 1/32	(255)	1.84	(0.17)	4-0 47/64	(1238)	4836RC	3-8 3/8	(1127)	0-10 1/32	(255)	3.09	(0.29)	4-0 47/64	(1238)
3040RC	2-2 3/8	(670)	1-0 27/64	(316)	2.28	(0.21)	3-8 47/64	(1136)	4840RC	3-8 3/8	(1127)	1-0 27/64	(316)	3.83	(0.36)	3-8 47/64	(1136)
3044RC	2-2 3/8	(670)	0-10 13/16	(275)	1.98	(0.18)	3-4 47/64	(1035)	4844RC	3-8 3/8	(1127)	0-10 13/16	(275)	3.33	(0.31)	3-4 47/64	(1035)
3048RC	2-2 3/8	(670)	1-1 13/64	(336)	2.42	(0.22)	3-0 47/64	(933)	4848RC	3-8 3/8	(1127)	1-1 13/64	(336)	4.07	(0.38)	3-0 47/64	(933)
3052RC	2-2 3/8	(670)	1-3 19/32	(396)	2.86	(0.27)	2-8 47/64	(831)	4852RC	3-8 3/8	(1127)	1-3 19/32	(396)	4.81	(0.45)	2-8 47/64	(831)
3056RC	2-2 3/8	(670)	1-5 63/64	(457)	3.29	(0.31)	2-4 47/64	(730)	4856RC	3-8 3/8	(1127)	1-5 63/64	(457)	5.54	(0.51)	2-4 47/64	(730)
3060RC	2-2 3/8	(670)	1-8 3/8	(518)	3.73	(0.35)	2-0 47/64	(628)	4860RC	3-8 3/8	(1127)	1-8 3/8	(518)	6.28	(0.58)	2-0 47/64	(628)
3064RC	2-2 3/8	(670)	1-10 49/64	(578)	4.17	(0.39)	1-8 47/64	(527)	4864RC	3-8 3/8	(1127)	1-10 49/64	(578)	7.02	(0.65)	1-8 47/64	(527)
3068RC	2-2 3/8	(670)	1-11 11/16	(602)	4.34	(0.40)	1-4 47/64	(425)	4868RC	3-8 3/8	(1127)	1-11 11/16	(602)	7.30	(0.68)	1-4 47/64	(425)
3236RC	2-4 3/8	(721)	0-10 1/32	(255)	1.98	(0.18)	4-0 47/64	(1238)	5436RC	4-2 3/8	(1279)	0-10 1/32	(255)	3.51	(0.33)	4-0 47/64	(1238)
3240RC	2-4 3/8	(721)	1-0 27/64	(316)	2.45	(0.23)	3-8 47/64	(1136)	5440RC	4-2 3/8	(1279)	1-0 27/64	(316)	4.35	(0.40)	3-8 47/64	(1136)
3244RC	2-4 3/8	(721)	0-10 13/16	(275)	2.13	(0.20)	3-4 47/64	(1035)	5444RC	4-2 3/8	(1279)	0-10 13/16	(275)	3.78	(0.35)	3-4 47/64	(1035)
3248RC	2-4 3/8	(721)	1-1 13/64	(336)	2.60	(0.24)	3-0 47/64	(933)	5448RC	4-2 3/8	(1279)	1-1 13/64	(336)	4.62	(0.43)	3-0 47/64	(933)
3252RC	2-4 3/8	(721)	1-3 19/32	(396)	3.07	(0.29)	2-8 47/64	(831)	5452RC	4-2 3/8	(1279)	1-3 19/32	(396)	5.46	(0.51)	2-8 47/64	(831)
3256RC	2-4 3/8	(721)	1-5 63/64	(457)	3.54	(0.33)	2-4 47/64	(730)	5456RC	4-2 3/8	(1279)	1-5 63/64	(457)	6.29	(0.58)	2-4 47/64	(730)
3260RC	2-4 3/8	(721)	1-8 3/8	(518)	4.02	(0.37)	2-0 47/64	(628)	5460RC	4-2 3/8	(1279)	1-8 3/8	(518)	7.13	(0.66)	2-0 47/64	(628)
3264RC	2-4 3/8	(721)	1-10 49/64	(578)	4.49	(0.42)	1-8 47/64	(527)	5464RC	4-2 3/8	(1279)	1-10 49/64	(578)	7.97	(0.74)	1-8 47/64	(527)
3268RC	2-4 3/8	(721)	1-11 11/16	(602)	4.67	(0.43)	1-4 47/64	(425)	5468RC	4-2 3/8	(1279)	1-11 11/16	(602)	8.29	(0.77)	1-4 47/64	(425)
3436RC	2-6 3/8	(771)	0-10 1/32	(255)	2.12	(0.20)	4-0 47/64	(1238)									
3440RC	2-6 3/8	(771)	1-0 27/64	(316)	2.62	(0.24)	3-8 47/64	(1136)									
3444RC	2-6 3/8	(771)	0-10 13/16	(275)	2.28	(0.21)	3-4 47/64	(1035)									
3448RC	2-6 3/8	(771)	1-1 13/64	(336)	2.79	(0.26)	3-0 47/64	(933)									
3452RC	2-6 3/8	(771)	1-3 19/32	(396)	3.29	(0.31)	2-8 47/64	(831)									
3456RC	2-6 3/8	(771)	1-5 63/64	(457)	3.79	(0.35)	2-4 47/64	(730)									
3460RC	2-6 3/8	(771)	1-8 3/8	(518)	4.30	(0.40)	2-0 47/64	(628)									
3464RC	2-6 3/8	(771)	1-10 49/64	(578)	4.80	(0.45)	1-8 47/64	(527)									
3468RC	2-6 3/8	(771)	1-11 11/16	(602)	5.00	(0.46)	1-4 47/64	(425)									
3636RC	2-8 3/8	(822)	0-10 1/32	(255)	2.26	(0.21)	4-0 47/64	(1238)									
3640RC	2-8 3/8	(822)	1-0 27/64	(316)	2.79	(0.26)	3-8 47/64	(1136)									
3644RC	2-8 3/8	(822)	0-10 13/16	(275)	2.43	(0.23)	3-4 47/64	(1035)									
3648RC	2-8 3/8	(822)	1-1 13/64	(336)	2.97	(0.28)	3-0 47/64	(933)									
3652RC	2-8 3/8	(822)	1-3 19/32	(396)	3.51	(0.33)	2-8 47/64	(831)									
3656RC	2-8 3/8	(822)	1-5 63/64	(457)	4.04	(0.38)	2-4 47/64	(730)									
3660RC	2-8 3/8	(822)	1-8 3/8	(518)	4.58	(0.43)	2-0 47/64	(628)									
3664RC	2-8 3/8	(822)	1-10 49/64	(578)	5.12	(0.48)	1-8 47/64	(527)									
3668RC	2-8 3/8	(822)	1-11 11/16	(602)	5.32	(0.49)	1-4 47/64	(425)									

EGRESS and VENT MEASUREMENTS – REVERSE COTTAGE UNITS HIGH PERFORMANCE PRODUCT

CN	Egress Opening Width		Egress Opening Height		Egress Opening		Floor to Bottom of Clear Opening		CN	Egress Opening Width		Egress Opening Height		Egress Opening		Floor to Bottom of Clear Opening	
	ft – in	mm	ft – in	mm	ft ²	m ²	ft – in	mm		ft – in	mm	ft – in	mm	ft ²	m ²	ft – in	mm
2236RC	1-6 3/8	(467)	0-9 37/64	(243)	1.22	(0.11)	4-1 3/16	(1249)	3636RC	2-8 3/8	(822)	0-9 37/64	(243)	2.15	(0.20)	4-1 3/16	(1249)
2240RC	1-6 3/8	(467)	0-11 31/32	(304)	1.53	(0.14)	3-9 3/16	(1148)	3640RC	2-8 3/8	(822)	0-11 31/32	(304)	2.69	(0.25)	3-9 3/16	(1148)
2244RC	1-6 3/8	(467)	0-10 23/64	(263)	1.32	(0.12)	3-5 3/16	(1046)	3644RC	2-8 3/8	(822)	0-10 23/64	(263)	2.33	(0.22)	3-5 3/16	(1046)
2248RC	1-6 3/8	(467)	1-0 3/4	(324)	1.63	(0.15)	3-1 3/16	(945)	3648RC	2-8 3/8	(822)	1-0 3/4	(324)	2.87	(0.27)	3-1 3/16	(945)
2252RC	1-6 3/8	(467)	1-3 9/64	(385)	1.93	(0.18)	2-9 3/16	(843)	3652RC	2-8 3/8	(822)	1-3 9/64	(385)	3.40	(0.32)	2-9 3/16	(843)
2256RC	1-6 3/8	(467)	1-5 17/32	(445)	2.24	(0.21)	2-5 3/16	(741)	3656RC	2-8 3/8	(822)	1-5 17/32	(445)	3.94	(0.37)	2-5 3/16	(741)
2260RC	1-6 3/8	(467)	1-7 59/64	(506)	2.54	(0.24)	2-1 3/16	(640)	3660RC	2-8 3/8	(822)	1-7 59/64	(506)	4.48	(0.42)	2-1 3/16	(640)
2264RC	1-6 3/8	(467)	1-10 5/16	(567)	2.85	(0.26)	1-9 3/16	(538)	3664RC	2-8 3/8	(822)	1-10 5/16	(567)	5.02	(0.47)	1-9 3/16	(538)
2268RC	1-6 3/8	(467)	1-11 15/64	(590)	2.96	(0.28)	1-5 3/16	(437)	3668RC	2-8 3/8	(822)	1-11 15/64	(590)	5.22	(0.49)	1-5 3/16	(437)
2636RC	1-10 3/8	(568)	0-9 37/64	(243)	1.49	(0.14)	4-1 3/16	(1249)	3836RC	2-10 3/8	(873)	0-9 37/64	(243)	2.29	(0.21)	4-1 3/16	(1249)
2640RC	1-10 3/8	(568)	0-11 31/32	(304)	1.86	(0.17)	3-9 3/16	(1148)	3840RC	2-10 3/8	(873)	0-11 31/32	(304)	2.86	(0.27)	3-9 3/16	(1148)
2644RC	1-10 3/8	(568)	0-10 23/64	(263)	1.61	(0.15)	3-5 3/16	(1046)	3844RC	2-10 3/8	(873)	0-10 23/64	(263)	2.47	(0.23)	3-5 3/16	(1046)
2648RC	1-10 3/8	(568)	1-0 3/4	(324)	1.98	(0.18)	3-1 3/16	(945)	3848RC	2-10 3/8	(873)	1-0 3/4	(324)	3.04	(0.28)	3-1 3/16	(945)
2652RC	1-10 3/8	(568)	1-3 9/64	(385)	2.35	(0.22)	2-9 3/16	(843)	3852RC	2-10 3/8	(873)	1-3 9/64	(385)	3.61	(0.34)	2-9 3/16	(843)
2656RC	1-10 3/8	(568)	1-5 17/32	(445)	2.72	(0.25)	2-5 3/16	(741)	3856RC	2-10 3/8	(873)	1-5 17/32	(445)	4.18	(0.39)	2-5 3/16	(741)
2660RC	1-10 3/8	(568)	1-7 59/64	(506)	3.09	(0.29)	2-1 3/16	(640)	3860RC	2-10 3/8	(873)	1-7 59/64	(506)	4.76	(0.44)	2-1 3/16	(640)
2664RC	1-10 3/8	(568)	1-10 5/16	(567)	3.47	(0.32)	1-9 3/16	(538)	3864RC	2-10 3/8	(873)	1-10 5/16	(567)	5.33	(0.49)	1-9 3/16	(538)
2668RC	1-10 3/8	(568)	1-11 15/64	(590)	3.61	(0.34)	1-5 3/16	(437)	3868RC	2-10 3/8	(873)	1-11 15/64	(590)	5.54	(0.52)	1-5 3/16	(437)
3036RC	2-2 3/8	(670)	0-9 37/64	(243)	1.75	(0.16)	4-1 3/16	(1249)	4236RC	3-2 3/8	(975)	0-9 37/64	(243)	2.55	(0.24)	4-1 3/16	(1249)
3040RC	2-2 3/8	(670)	0-11 31/32	(304)	2.19	(0.20)	3-9 3/16	(1148)	4240RC	3-2 3/8	(975)	0-11 31/32	(304)	3.19	(0.30)	3-9 3/16	(1148)
3044RC	2-2 3/8	(670)	0-10 23/64	(263)	1.90	(0.18)	3-5 3/16	(1046)	4244RC	3-2 3/8	(975)	0-10 23/64	(263)	2.76	(0.26)	3-5 3/16	(1046)
3048RC	2-2 3/8	(670)	1-0 3/4	(324)	2.34	(0.22)	3-1 3/16	(945)	4248RC	3-2 3/8	(975)	1-0 3/4	(324)	3.40	(0.32)	3-1 3/16	(945)
3052RC	2-2 3/8	(670)	1-3 9/64	(385)	2.77	(0.26)	2-9 3/16	(843)	4252RC	3-2 3/8	(975)	1-3 9/64	(385)	4.03	(0.37)	2-9 3/16	(843)
3056RC	2-2 3/8	(670)	1-5 17/32	(445)	3.21	(0.30)	2-5 3/16	(741)	4256RC	3-2 3/8	(975)	1-5 17/32	(445)	4.67	(0.43)	2-5 3/16	(741)
3060RC	2-2 3/8	(670)	1-7 59/64	(506)	3.65	(0.34)	2-1 3/16	(640)	4260RC	3-2 3/8	(975)	1-7 59/64	(506)	5.31	(0.49)	2-1 3/16	(640)
3064RC	2-2 3/8	(670)	1-10 5/16	(567)	4.09	(0.38)	1-9 3/16	(538)	4264RC	3-2 3/8	(975)	1-10 5/16	(567)	5.95	(0.55)	1-9 3/16	(538)
3068RC	2-2 3/8	(670)	1-11 15/64	(590)	4.25	(0.40)	1-5 3/16	(437)	4268RC	3-2 3/8	(975)	1-11 15/64	(590)	6.19	(0.58)	1-5 3/16	(437)
3236RC	2-4 3/8	(721)	0-9 37/64	(243)	1.89	(0.18)	4-1 3/16	(1249)	4836RC	3-8 3/8	(1127)	0-9 37/64	(243)	2.95	(0.27)	4-1 3/16	(1249)
3240RC	2-4 3/8	(721)	0-11 31/32	(304)	2.36	(0.22)	3-9 3/16	(1148)	4840RC	3-8 3/8	(1127)	0-11 31/32	(304)	3.69	(0.34)	3-9 3/16	(1148)
3244RC	2-4 3/8	(721)	0-10 23/64	(263)	2.04	(0.19)	3-5 3/16	(1046)	4844RC	3-8 3/8	(1127)	0-10 23/64	(263)	3.19	(0.30)	3-5 3/16	(1046)
3248RC	2-4 3/8	(721)	1-0 3/4	(324)	2.51	(0.23)	3-1 3/16	(945)	4848RC	3-8 3/8	(1127)	1-0 3/4	(324)	3.93	(0.37)	3-1 3/16	(945)
3252RC	2-4 3/8	(721)	1-3 9/64	(385)	2.98	(0.28)	2-9 3/16	(843)	4852RC	3-8 3/8	(1127)	1-3 9/64	(385)	4.67	(0.43)	2-9 3/16	(843)
3256RC	2-4 3/8	(721)	1-5 17/32	(445)	3.45	(0.32)	2-5 3/16	(741)	4856RC	3-8 3/8	(1127)	1-5 17/32	(445)	5.40	(0.50)	2-5 3/16	(741)
3260RC	2-4 3/8	(721)	1-7 59/64	(506)	3.92	(0.36)	2-1 3/16	(640)	4860RC	3-8 3/8	(1127)	1-7 59/64	(506)	6.14	(0.57)	2-1 3/16	(640)
3264RC	2-4 3/8	(721)	1-10 5/16	(567)	4.40	(0.41)	1-9 3/16	(538)	4864RC	3-8 3/8	(1127)	1-10 5/16	(567)	6.88	(0.64)	1-9 3/16	(538)
3268RC	2-4 3/8	(721)	1-11 15/64	(590)	4.58	(0.43)	1-5 3/16	(437)	4868RC	3-8 3/8	(1127)	1-11 15/64	(590)	7.16	(0.66)	1-5 3/16	(437)
3436RC	2-6 3/8	(771)	0-9 37/64	(243)	2.02	(0.19)	4-1 3/16	(1249)	5436RC	4-2 3/8	(1279)	0-9 37/64	(243)	3.35	(0.31)	4-1 3/16	(1249)
3440RC	2-6 3/8	(771)	0-11 31/32	(304)	2.52	(0.23)	3-9 3/16	(1148)	5440RC	4-2 3/8	(1279)	0-11 31/32	(304)	4.19	(0.39)	3-9 3/16	(1148)
3444RC	2-6 3/8	(771)	0-10 23/64	(263)	2.19	(0.20)	3-5 3/16	(1046)	5444RC	4-2 3/8	(1279)	0-10 23/64	(263)	3.62	(0.34)	3-5 3/16	(1046)
3448RC	2-6 3/8	(771)	1-0 3/4	(324)	2.69	(0.25)	3-1 3/16	(945)	5448RC	4-2 3/8	(1279)	1-0 3/4	(324)	4.46	(0.41)	3-1 3/16	(945)
3452RC	2-6 3/8	(771)	1-3 9/64	(385)	3.19	(0.30)	2-9 3/16	(843)	5452RC	4-2 3/8	(1279)	1-3 9/64	(385)	5.30	(0.49)	2-9 3/16	(843)
3456RC	2-6 3/8	(771)	1-5 17/32	(445)	3.70	(0.34)	2-5 3/16	(741)	5456RC	4-2 3/8	(1279)	1-5 17/32	(445)	6.13	(0.57)	2-5 3/16	(741)
3460RC	2-6 3/8	(771)	1-7 59/64	(506)	4.20	(0.39)	2-1 3/16	(640)	5460RC	4-2 3/8	(1279)	1-7 59/64	(506)	6.97	(0.65)	2-1 3/16	(640)
3464RC	2-6 3/8	(771)	1-10 5/16	(567)	4.71	(0.44)	1-9 3/16	(538)	5464RC	4-2 3/8	(1279)	1-10 5/16	(567)	7.80	(0.73)	1-9 3/16	(538)
3468RC	2-6 3/8	(771)	1-11 15/64	(590)	4.90	(0.46)	1-5 3/16	(437)	5468RC	4-2 3/8	(1279)	1-11 15/64	(590)	8.13	(0.75)	1-5 3/16	(437)

EGRESS and VENT MEASUREMENTS – REVERSE COTTAGE UNITS IMPACT PRODUCT

CN	Egress Opening Width		Egress Opening Height		Egress Opening		Floor to Bottom of Clear Opening		CN	Egress Opening Width		Egress Opening Height		Egress Opening		Floor to Bottom of Clear Opening	
	ft – in	mm	ft – in	mm	ft ²	m ²	ft – in	mm		ft – in	mm	ft – in	mm	ft ²	m ²	ft – in	mm
2244RC	1-6 3/8	(467)	0-10 23/64	(263)	1.32	(0.12)	3-5 3/16	(1046)	3644RC	2-8 3/8	(822)	0-10 23/64	(263)	2.33	(0.22)	3-5 3/16	(1046)
2248RC	1-6 3/8	(467)	1-0 3/4	(324)	1.63	(0.15)	3-1 3/16	(945)	3648RC	2-8 3/8	(822)	1-0 3/4	(324)	2.87	(0.27)	3-1 3/16	(945)
2252RC	1-6 3/8	(467)	1-3 9/64	(385)	1.93	(0.18)	2-9 3/16	(843)	3652RC	2-8 3/8	(822)	1-3 9/64	(385)	3.40	(0.32)	2-9 3/16	(843)
2256RC	1-6 3/8	(467)	1-5 17/32	(445)	2.24	(0.21)	2-5 3/16	(741)	3656RC	2-8 3/8	(822)	1-5 17/32	(445)	3.94	(0.37)	2-5 3/16	(741)
2260RC	1-6 3/8	(467)	1-7 59/64	(506)	2.54	(0.24)	2-1 3/16	(640)	3660RC	2-8 3/8	(822)	1-7 59/64	(506)	4.48	(0.42)	2-1 3/16	(640)
2264RC	1-6 3/8	(467)	1-10 5/16	(567)	2.85	(0.26)	1-9 3/16	(538)	3664RC	2-8 3/8	(822)	1-10 5/16	(567)	5.02	(0.47)	1-9 3/16	(538)
2268RC	1-6 3/8	(467)	1-11 15/64	(590)	2.96	(0.28)	1-5 3/16	(437)	3668RC	2-8 3/8	(822)	1-11 15/64	(590)	5.22	(0.49)	1-5 3/16	(437)
2644RC	1-10 3/8	(568)	0-10 23/64	(263)	1.61	(0.15)	3-5 3/16	(1046)	3844RC	2-10 3/8	(873)	0-10 23/64	(263)	2.47	(0.23)	3-5 3/16	(1046)
2648RC	1-10 3/8	(568)	1-0 3/4	(324)	1.98	(0.18)	3-1 3/16	(945)	3848RC	2-10 3/8	(873)	1-0 3/4	(324)	3.04	(0.28)	3-1 3/16	(945)
2652RC	1-10 3/8	(568)	1-3 9/64	(385)	2.35	(0.22)	2-9 3/16	(843)	3852RC	2-10 3/8	(873)	1-3 9/64	(385)	3.61	(0.34)	2-9 3/16	(843)
2656RC	1-10 3/8	(568)	1-5 17/32	(445)	2.72	(0.25)	2-5 3/16	(741)	3856RC	2-10 3/8	(873)	1-5 17/32	(445)	4.18	(0.39)	2-5 3/16	(741)
2660RC	1-10 3/8	(568)	1-7 59/64	(506)	3.09	(0.29)	2-1 3/16	(640)	3860RC	2-10 3/8	(873)	1-7 59/64	(506)	4.76	(0.44)	2-1 3/16	(640)
2664RC	1-10 3/8	(568)	1-10 5/16	(567)	3.47	(0.32)	1-9 3/16	(538)	3864RC	2-10 3/8	(873)	1-10 5/16	(567)	5.33	(0.49)	1-9 3/16	(538)
2668RC	1-10 3/8	(568)	1-11 15/64	(590)	3.61	(0.34)	1-5 3/16	(437)	3868RC	2-10 3/8	(873)	1-11 15/64	(590)	5.54	(0.52)	1-5 3/16	(437)
3044RC	2-2 3/8	(670)	0-10 23/64	(263)	1.90	(0.18)	3-5 3/16	(1046)	4244RC	3-2 3/8	(975)	0-10 23/64	(263)	2.76	(0.26)	3-5 3/16	(1046)
3048RC	2-2 3/8	(670)	1-0 3/4	(324)	2.34	(0.22)	3-1 3/16	(945)	4248RC	3-2 3/8	(975)	1-0 3/4	(324)	3.40	(0.32)	3-1 3/16	(945)
3052RC	2-2 3/8	(670)	1-3 9/64	(385)	2.77	(0.26)	2-9 3/16	(843)	4252RC	3-2 3/8	(975)	1-3 9/64	(385)	4.03	(0.37)	2-9 3/16	(843)
3056RC	2-2 3/8	(670)	1-5 17/32	(445)	3.21	(0.30)	2-5 3/16	(741)	4256RC	3-2 3/8	(975)	1-5 17/32	(445)	4.67	(0.43)	2-5 3/16	(741)
3060RC	2-2 3/8	(670)	1-7 59/64	(506)	3.65	(0.34)	2-1 3/16	(640)	4260RC	3-2 3/8	(975)	1-7 59/64	(506)	5.31	(0.49)	2-1 3/16	(640)
3064RC	2-2 3/8	(670)	1-10 5/16	(567)	4.09	(0.38)	1-9 3/16	(538)	4264RC	3-2 3/8	(975)	1-10 5/16	(567)	5.95	(0.55)	1-9 3/16	(538)
3068RC	2-2 3/8	(670)	1-11 15/64	(590)	4.25	(0.40)	1-5 3/16	(437)									
3244RC	2-4 3/8	(721)	0-10 23/64	(263)	2.04	(0.19)	3-5 3/16	(1046)									
3248RC	2-4 3/8	(721)	1-0 3/4	(324)	2.51	(0.23)	3-1 3/16	(945)									
3252RC	2-4 3/8	(721)	1-3 9/64	(385)	2.98	(0.28)	2-9 3/16	(843)									
3256RC	2-4 3/8	(721)	1-5 17/32	(445)	3.45	(0.32)	2-5 3/16	(741)									
3260RC	2-4 3/8	(721)	1-7 59/64	(506)	3.92	(0.36)	2-1 3/16	(640)									
3264RC	2-4 3/8	(721)	1-10 5/16	(567)	4.40	(0.41)	1-9 3/16	(538)									
3268RC	2-4 3/8	(721)	1-11 15/64	(590)	4.58	(0.43)	1-5 3/16	(437)									
3444RC	2-6 3/8	(771)	0-10 23/64	(263)	2.19	(0.20)	3-5 3/16	(1046)									
3448RC	2-6 3/8	(771)	1-0 3/4	(324)	2.69	(0.25)	3-1 3/16	(945)									
3452RC	2-6 3/8	(771)	1-3 9/64	(385)	3.19	(0.30)	2-9 3/16	(843)									
3456RC	2-6 3/8	(771)	1-5 17/32	(445)	3.70	(0.34)	2-5 3/16	(741)									
3460RC	2-6 3/8	(771)	1-7 59/64	(506)	4.20	(0.39)	2-1 3/16	(640)									
3464RC	2-6 3/8	(771)	1-10 5/16	(567)	4.71	(0.44)	1-9 3/16	(538)									
3468RC	2-6 3/8	(771)	1-11 15/64	(590)	4.90	(0.46)	1-5 3/16	(437)									

DAYLIGHT - DOUBLE HUNG

CN*	Daylight Opening Width (per sash)		Daylight Opening Height (per sash)		Daylight Opening (both Sash)		CN	Daylight Opening Width (per sash)		Daylight Opening Height (per sash)		Daylight Opening (both Sash)	
	ft - in	mm	ft - in	mm	ft ²	m ²		ft - in	mm	ft - in	mm	ft ²	m ²
2236	1-3 11/16	(398)	1-1 11/16	(348)	2.98	(0.28)	3636	2-5 11/16	(754)	1-1 11/16	(348)	5.64	(0.52)
2240	1-3 11/16	(398)	1-3 11/16	(398)	3.42	(0.32)	3640	2-5 11/16	(754)	1-3 11/16	(398)	6.47	(0.60)
2244	1-3 11/16	(398)	1-5 11/16	(449)	3.85	(0.36)	3644	2-5 11/16	(754)	1-5 11/16	(449)	7.29	(0.68)
2248	1-3 11/16	(398)	1-7 11/16	(500)	4.29	(0.40)	3648	2-5 11/16	(754)	1-7 11/16	(500)	8.12	(0.75)
2252	1-3 11/16	(398)	1-9 11/16	(551)	4.73	(0.44)	3652	2-5 11/16	(754)	1-9 11/16	(551)	8.94	(0.83)
2256	1-3 11/16	(398)	1-11 11/16	(602)	5.16	(0.48)	3656	2-5 11/16	(754)	1-11 11/16	(602)	9.77	(0.91)
2260	1-3 11/16	(398)	2-1 11/16	(652)	5.60	(0.52)	3660	2-5 11/16	(754)	2-1 11/16	(652)	10.59	(0.98)
2264	1-3 11/16	(398)	2-3 11/16	(703)	6.03	(0.56)	3664	2-5 11/16	(754)	2-3 11/16	(703)	11.42	(1.06)
2268	1-3 11/16	(398)	2-5 11/16	(754)	6.47	(0.60)	3668	2-5 11/16	(754)	2-5 11/16	(754)	12.24	(1.14)
2272	1-3 11/16	(398)	2-7 11/16	(805)	6.90	(0.64)	3672	2-5 11/16	(754)	2-7 11/16	(805)	13.07	(1.21)
2276	1-3 11/16	(398)	2-9 11/16	(856)	7.34	(0.68)	3676	2-5 11/16	(754)	2-9 11/16	(856)	13.89	(1.29)
2636	1-7 11/16	(500)	1-1 11/16	(348)	3.74	(0.35)	3836	2-7 11/16	(805)	1-1 11/16	(348)	6.02	(0.56)
2640	1-7 11/16	(500)	1-3 11/16	(398)	4.29	(0.40)	3840	2-7 11/16	(805)	1-3 11/16	(398)	6.90	(0.64)
2644	1-7 11/16	(500)	1-5 11/16	(449)	4.84	(0.45)	3844	2-7 11/16	(805)	1-5 11/16	(449)	7.78	(0.72)
2648	1-7 11/16	(500)	1-7 11/16	(500)	5.38	(0.50)	3848	2-7 11/16	(805)	1-7 11/16	(500)	8.66	(0.80)
2652	1-7 11/16	(500)	1-9 11/16	(551)	5.93	(0.55)	3852	2-7 11/16	(805)	1-9 11/16	(551)	9.55	(0.89)
2656	1-7 11/16	(500)	1-11 11/16	(602)	6.48	(0.60)	3856	2-7 11/16	(805)	1-11 11/16	(602)	10.43	(0.97)
2660	1-7 11/16	(500)	2-1 11/16	(652)	7.02	(0.65)	3860	2-7 11/16	(805)	2-1 11/16	(652)	11.31	(1.05)
2664	1-7 11/16	(500)	2-3 11/16	(703)	7.57	(0.70)	3864	2-7 11/16	(805)	2-3 11/16	(703)	12.19	(1.13)
2668	1-7 11/16	(500)	2-5 11/16	(754)	8.12	(0.75)	3868	2-7 11/16	(805)	2-5 11/16	(754)	13.07	(1.21)
2672	1-7 11/16	(500)	2-7 11/16	(805)	8.66	(0.80)	3872	2-7 11/16	(805)	2-7 11/16	(805)	13.95	(1.30)
2676	1-7 11/16	(500)	2-9 11/16	(856)	9.21	(0.86)	3876	2-7 11/16	(805)	2-9 11/16	(856)	14.83	(1.38)
3036	1-11 11/16	(602)	1-1 11/16	(348)	4.50	(0.42)	4236	2-11 11/16	(906)	1-1 11/16	(348)	6.78	(0.63)
3040	1-11 11/16	(602)	1-3 11/16	(398)	5.16	(0.48)	4240	2-11 11/16	(906)	1-3 11/16	(398)	7.78	(0.72)
3044	1-11 11/16	(602)	1-5 11/16	(449)	5.82	(0.54)	4244	2-11 11/16	(906)	1-5 11/16	(449)	8.77	(0.81)
3048	1-11 11/16	(602)	1-7 11/16	(500)	6.48	(0.60)	4248	2-11 11/16	(906)	1-7 11/16	(500)	9.76	(0.91)
3052	1-11 11/16	(602)	1-9 11/16	(551)	7.14	(0.66)	4252	2-11 11/16	(906)	1-9 11/16	(551)	10.75	(1.00)
3056	1-11 11/16	(602)	1-11 11/16	(602)	7.79	(0.72)	4256	2-11 11/16	(906)	1-11 11/16	(602)	11.74	(1.09)
3060	1-11 11/16	(602)	2-1 11/16	(652)	8.45	(0.79)	4260	2-11 11/16	(906)	2-1 11/16	(652)	12.73	(1.18)
3064	1-11 11/16	(602)	2-3 11/16	(703)	9.11	(0.85)	4264	2-11 11/16	(906)	2-3 11/16	(703)	13.72	(1.28)
3068	1-11 11/16	(602)	2-5 11/16	(754)	9.77	(0.91)	4268	2-11 11/16	(906)	2-5 11/16	(754)	14.72	(1.37)
3072	1-11 11/16	(602)	2-7 11/16	(805)	10.43	(0.97)	4272	2-11 11/16	(906)	2-7 11/16	(805)	15.71	(1.46)
3076	1-11 11/16	(602)	2-9 11/16	(856)	11.08	(1.03)	4276	2-11 11/16	(906)	2-9 11/16	(856)	16.70	(1.55)
3236	2-1 11/16	(652)	1-1 11/16	(348)	4.88	(0.45)	4836	3-5 11/16	(1059)	1-1 11/16	(348)	7.93	(0.74)
3240	2-1 11/16	(652)	1-3 11/16	(398)	5.60	(0.52)	4840	3-5 11/16	(1059)	1-3 11/16	(398)	9.08	(0.84)
3244	2-1 11/16	(652)	1-5 11/16	(449)	6.31	(0.59)	4844	3-5 11/16	(1059)	1-5 11/16	(449)	10.24	(0.95)
3248	2-1 11/16	(652)	1-7 11/16	(500)	7.02	(0.65)	4848	3-5 11/16	(1059)	1-7 11/16	(500)	11.40	(1.06)
3252	2-1 11/16	(652)	1-9 11/16	(551)	7.74	(0.72)	4852	3-5 11/16	(1059)	1-9 11/16	(551)	12.56	(1.17)
3256	2-1 11/16	(652)	1-11 11/16	(602)	8.45	(0.79)	4856	3-5 11/16	(1059)	1-11 11/16	(602)	13.72	(1.27)
3260	2-1 11/16	(652)	2-1 11/16	(652)	9.16	(0.85)	4860	3-5 11/16	(1059)	2-1 11/16	(652)	14.87	(1.38)
3264	2-1 11/16	(652)	2-3 11/16	(703)	9.88	(0.92)	4864	3-5 11/16	(1059)	2-3 11/16	(703)	16.03	(1.49)
3268	2-1 11/16	(652)	2-5 11/16	(754)	10.59	(0.98)	4868	3-5 11/16	(1059)	2-5 11/16	(754)	17.19	(1.60)
3272	2-1 11/16	(652)	2-7 11/16	(805)	11.31	(1.05)	4872	3-5 11/16	(1059)	2-7 11/16	(805)	18.35	(1.70)
3276	2-1 11/16	(652)	2-9 11/16	(856)	12.02	(1.12)	4876	3-5 11/16	(1059)	2-9 11/16	(856)	19.51	(1.81)
3436	2-3 11/16	(703)	1-1 11/16	(348)	5.26	(0.49)	5436	3-11 11/16	(1211)	1-1 11/16	(348)	9.07	(0.84)
3440	2-3 11/16	(703)	1-3 11/16	(398)	6.03	(0.56)	5440	3-11 11/16	(1211)	1-3 11/16	(398)	10.39	(0.97)
3444	2-3 11/16	(703)	1-5 11/16	(449)	6.80	(0.63)	5444	3-11 11/16	(1211)	1-5 11/16	(449)	11.72	(1.09)
3448	2-3 11/16	(703)	1-7 11/16	(500)	7.57	(0.70)	5448	3-11 11/16	(1211)	1-7 11/16	(500)	13.04	(1.21)
3452	2-3 11/16	(703)	1-9 11/16	(551)	8.34	(0.77)	5452	3-11 11/16	(1211)	1-9 11/16	(551)	14.36	(1.33)
3456	2-3 11/16	(703)	1-11 11/16	(602)	9.11	(0.85)	5456	3-11 11/16	(1211)	1-11 11/16	(602)	15.69	(1.46)
3460	2-3 11/16	(703)	2-1 11/16	(652)	9.88	(0.92)	5460	3-11 11/16	(1211)	2-1 11/16	(652)	17.01	(1.58)
3464	2-3 11/16	(703)	2-3 11/16	(703)	10.65	(0.99)	5464	3-11 11/16	(1211)	2-3 11/16	(703)	18.34	(1.70)
3468	2-3 11/16	(703)	2-5 11/16	(754)	11.42	(1.06)	5468	3-11 11/16	(1211)	2-5 11/16	(754)	19.66	(1.83)
3472	2-3 11/16	(703)	2-7 11/16	(805)	12.19	(1.13)	5472	3-11 11/16	(1211)	2-7 11/16	(805)	20.99	(1.95)
3476	2-3 11/16	(703)	2-9 11/16	(856)	12.95	(1.20)	5476	3-11 11/16	(1211)	2-9 11/16	(856)	22.31	(2.07)

DAYLIGHT - COTTAGE

CN*	Daylight Opening Width (per sash)		Daylight Opening Height (per sash)		Daylight Opening (both Sash)	
	ft - in	mm	ft - in	mm	Daylight Opening (both Sash)	
					ft ²	m ²
2236C Top	1-3 11/16	(398)	0-10 13/16	(275)	2.98	(0.28)
2236C Bottom			1-4 9/16	(421)		
2240C Top	1-3 11/16	(398)	1-0 27/64	(315)	3.42	(0.32)
2240C Bottom			1-6 61/64	(481)		
2244C Top	1-3 11/16	(398)	1-2 1/32	(356)	3.85	(0.36)
2244C Bottom			1-9 11/32	(542)		
2248C Top	1-3 11/16	(398)	1-3 41/64	(397)	4.29	(0.40)
2248C Bottom			1-11 47/64	(603)		
2252C Top	1-3 11/16	(398)	1-5 1/4	(438)	4.73	(0.44)
2252C Bottom			2-2 1/8	(664)		
2256C Top	1-3 11/16	(398)	1-6 55/64	(479)	5.16	(0.48)
2256C Bottom			2-4 33/64	(724)		
2260C Top	1-3 11/16	(398)	1-8 15/32	(520)	5.60	(0.52)
2260C Bottom			2-6 29/32	(785)		
2264C Top	1-3 11/16	(398)	1-10 5/64	(561)	6.03	(0.56)
2264C Bottom			2-9 19/64	(846)		
2268C Top	1-3 11/16	(398)	1-11 11/16	(602)	6.47	(0.60)
2268C Bottom			2-11 11/16	(906)		
2636C Top	1-7 11/16	(500)	0-10 13/16	(275)	3.74	(0.35)
2636C Bottom			1-4 9/16	(421)		
2640C Top	1-7 11/16	(500)	1-0 27/64	(315)	4.29	(0.40)
2640C Bottom			1-6 61/64	(481)		
2644C Top	1-7 11/16	(500)	1-2 1/32	(356)	4.84	(0.45)
2644C Bottom			1-9 11/32	(542)		
2648C Top	1-7 11/16	(500)	1-3 41/64	(397)	5.38	(0.50)
2648C Bottom			1-11 47/64	(603)		
2652C Top	1-7 11/16	(500)	1-5 1/4	(438)	5.93	(0.55)
2652C Bottom			2-2 1/8	(664)		
2656C Top	1-7 11/16	(500)	1-6 55/64	(479)	6.48	(0.60)
2656C Bottom			2-4 33/64	(724)		
2660C Top	1-7 11/16	(500)	1-8 15/32	(520)	7.02	(0.65)
2660C Bottom			2-6 29/32	(785)		
2664C Top	1-7 11/16	(500)	1-10 5/64	(561)	7.57	(0.70)
2664C Bottom			2-9 19/64	(846)		
2668C Top	1-7 11/16	(500)	1-11 11/16	(602)	8.12	(0.75)
2668C Bottom			2-11 11/16	(906)		
3036C Top	1-11 11/16	(602)	0-10 13/16	(275)	4.50	(0.42)
3036C Bottom			1-4 9/16	(421)		
3040C Top	1-11 11/16	(602)	1-0 27/64	(315)	5.16	(0.48)
3040C Bottom			1-6 61/64	(481)		
3044C Top	1-11 11/16	(602)	1-2 1/32	(356)	5.82	(0.54)
3044C Bottom			1-9 11/32	(542)		
3048C Top	1-11 11/16	(602)	1-3 41/64	(397)	6.48	(0.60)
3048C Bottom			1-11 47/64	(603)		
3052C Top	1-11 11/16	(602)	1-5 1/4	(438)	7.14	(0.66)
3052C Bottom			2-2 1/8	(664)		

CN*	Daylight Opening Width (per sash)		Daylight Opening Height (per sash)		Daylight Opening (both Sash)	
	ft - in	mm	ft - in	mm	Daylight Opening (both Sash)	
					ft ²	m ²
3056C Top	1-11 11/16	(602)	1-6 55/64	(479)	7.79	(0.72)
3056C Bottom			2-4 33/64	(724)		
3060C Top	1-11 11/16	(602)	1-8 15/32	(520)	8.45	(0.79)
3060C Bottom			2-6 29/32	(785)		
3064C Top	1-11 11/16	(602)	1-10 5/64	(561)	9.11	(0.85)
3064C Bottom			2-9 19/64	(846)		
3068C Top	1-11 11/16	(602)	1-11 11/16	(602)	9.77	(0.91)
3068C Bottom			2-11 11/16	(906)		
3236C Top	2-1 11/16	(652)	0-10 13/16	(275)	4.88	(0.45)
3236C Bottom			1-4 9/16	(421)		
3240C Top	2-1 11/16	(652)	1-0 27/64	(315)	5.60	(0.52)
3240C Bottom			1-6 61/64	(481)		
3244C Top	2-1 11/16	(652)	1-2 1/32	(356)	6.31	(0.59)
3244C Bottom			1-9 11/32	(542)		
3248C Top	2-1 11/16	(652)	1-3 41/64	(397)	7.02	(0.65)
3248C Bottom			1-11 47/64	(603)		
3252C Top	2-1 11/16	(652)	1-5 1/4	(438)	7.74	(0.72)
3252C Bottom			2-2 1/8	(664)		
3256C Top	2-1 11/16	(652)	1-6 55/64	(479)	8.45	(0.79)
3256C Bottom			2-4 33/64	(724)		
3260C Top	2-1 11/16	(652)	1-8 15/32	(520)	9.16	(0.85)
3260C Bottom			2-6 29/32	(785)		
3264C Top	2-1 11/16	(652)	1-10 5/64	(561)	9.88	(0.92)
3264C Bottom			2-9 19/64	(846)		
3268C Top	2-1 11/16	(652)	1-11 11/16	(602)	10.59	(0.98)
3268C Bottom			2-11 11/16	(906)		
3436C Top	2-3 11/16	(703)	0-10 13/16	(275)	5.26	(0.49)
3436C Bottom			1-4 9/16	(421)		
3440C Top	2-3 11/16	(703)	1-0 27/64	(315)	6.03	(0.56)
3440C Bottom			1-6 61/64	(481)		
3444C Top	2-3 11/16	(703)	1-2 1/32	(356)	6.80	(0.63)
3444C Bottom			1-9 11/32	(542)		
3448C Top	2-3 11/16	(703)	1-3 41/64	(397)	7.57	(0.70)
3448C Bottom			1-11 47/64	(603)		
3452C Top	2-3 11/16	(703)	1-5 1/4	(438)	8.34	(0.77)
3452C Bottom			2-2 1/8	(664)		
3456C Top	2-3 11/16	(703)	1-6 55/64	(479)	9.11	(0.85)
3456C Bottom			2-4 33/64	(724)		
3460C Top	2-3 11/16	(703)	1-8 15/32	(520)	9.88	(0.92)
3460C Bottom			2-6 29/32	(785)		
3464C Top	2-3 11/16	(703)	1-10 5/64	(561)	10.65	(0.99)
3464C Bottom			2-9 19/64	(846)		
3468C Top	2-3 11/16	(703)	1-11 11/16	(602)	11.42	(1.06)
3468C Bottom			2-11 11/16	(906)		

DAYLIGHT - COTTAGE

CN*	Daylight Opening Width (per sash)		Daylight Opening Height (per sash)		Daylight Opening (both Sash)	
	ft - in	mm	ft - in	mm	ft ²	m ²
3636C Top	2-5 11/16	(754)	0-10 13/16	(275)	5.64	(0.52)
3636C Bottom			1-4 9/16	(421)		
3640C Top	2-5 11/16	(754)	1-0 27/64	(315)	6.47	(0.60)
3640C Bottom			1-6 61/64	(481)		
3644C Top	2-5 11/16	(754)	1-2 1/32	(356)	7.29	(0.68)
3644C Bottom			1-9 11/32	(542)		
3648C Top	2-5 11/16	(754)	1-3 41/64	(397)	8.12	(0.75)
3648C Bottom			1-11 47/64	(603)		
3652C Top	2-5 11/16	(754)	1-5 1/4	(438)	8.94	(0.83)
3652C Bottom			2-2 1/8	(664)		
3656C Top	2-5 11/16	(754)	1-6 55/64	(479)	9.77	(0.91)
3656C Bottom			2-4 33/64	(724)		
3660C Top	2-5 11/16	(754)	1-8 15/32	(520)	10.59	(0.98)
3660C Bottom			2-6 29/32	(785)		
3664C Top	2-5 11/16	(754)	1-10 5/64	(561)	11.42	(1.06)
3664C Bottom			2-9 19/64	(846)		
3668C Top	2-5 11/16	(754)	1-11 11/16	(602)	12.24	(1.14)
3668C Bottom			2-11 11/16	(906)		
3836C Top	2-7 11/16	(805)	0-10 13/16	(275)	6.02	(0.56)
3836C Bottom			1-4 9/16	(421)		
3840C Top	2-7 11/16	(805)	1-0 27/64	(315)	6.90	(0.64)
3840C Bottom			1-6 61/64	(481)		
3844C Top	2-7 11/16	(805)	1-2 1/32	(356)	7.78	(0.72)
3844C Bottom			1-9 11/32	(542)		
3848C Top	2-7 11/16	(805)	1-3 41/64	(397)	8.66	(0.80)
3848C Bottom			1-11 47/64	(603)		
3852C Top	2-7 11/16	(805)	1-5 1/4	(438)	9.55	(0.89)
3852C Bottom			2-2 1/8	(664)		
3856C Top	2-7 11/16	(805)	1-6 55/64	(479)	10.43	(0.97)
3856C Bottom			2-4 33/64	(724)		
3860C Top	2-7 11/16	(805)	1-8 15/32	(520)	11.31	(1.05)
3860C Bottom			2-6 29/32	(785)		
3864C Top	2-7 11/16	(805)	1-10 5/64	(561)	12.19	(1.13)
3864C Bottom			2-9 19/64	(846)		
3868C Top	2-7 11/16	(805)	1-11 11/16	(602)	13.07	(1.21)
3868C Bottom			2-11 11/16	(906)		
4236C Top	2-11 11/16	(906)	0-10 13/16	(275)	6.78	(0.63)
4236C Bottom			1-4 9/16	(421)		
4240C Top	2-11 11/16	(906)	1-0 27/64	(315)	7.78	(0.72)
4240C Bottom			1-6 61/64	(481)		
4244C Top	2-11 11/16	(906)	1-2 1/32	(356)	8.77	(0.81)
4244C Bottom			1-9 11/32	(542)		
4248C Top	2-11 11/16	(906)	1-3 41/64	(397)	9.76	(0.91)
4248C Bottom			1-11 47/64	(603)		

CN*	Daylight Opening Width (per sash)		Daylight Opening Height (per sash)		Daylight Opening (both Sash)	
	ft - in	mm	ft - in	mm	ft ²	m ²
4252C Top	2-11 11/16	(906)	1-5 1/4	(438)	10.75	(1.00)
4252C Bottom			2-2 1/8	(664)		
4256C Top	2-11 11/16	(906)	1-6 55/64	(479)	11.74	(1.09)
4256C Bottom			2-4 33/64	(724)		
4260C Top	2-11 11/16	(906)	1-8 15/32	(520)	12.73	(1.18)
4260C Bottom			2-6 29/32	(785)		
4264C Top	2-11 11/16	(906)	1-10 5/64	(561)	13.72	(1.28)
4264C Bottom			2-9 19/64	(846)		
4268C Top	2-11 11/16	(906)	1-11 11/16	(602)	14.72	(1.37)
4268C Bottom			2-11 11/16	(906)		
4836C Top	3-5 11/16	(1059)	0-10 13/16	(275)	7.93	(0.74)
4836C Bottom			1-4 9/16	(421)		
4840C Top	3-5 11/16	(1059)	1-0 27/64	(315)	9.08	(0.84)
4840C Bottom			1-6 61/64	(481)		
4844C Top	3-5 11/16	(1059)	1-2 1/32	(356)	10.24	(0.95)
4844C Bottom			1-9 11/32	(542)		
4848C Top	3-5 11/16	(1059)	1-3 41/64	(397)	11.40	(1.06)
4848C Bottom			1-11 47/64	(603)		
4852C Top	3-5 11/16	(1059)	1-5 1/4	(438)	12.56	(1.17)
4852C Bottom			2-2 1/8	(664)		
4856C Top	3-5 11/16	(1059)	1-6 55/64	(479)	13.72	(1.27)
4856C Bottom			2-4 33/64	(724)		
4860C Top	3-5 11/16	(1059)	1-8 15/32	(520)	14.87	(1.38)
4860C Bottom			2-6 29/32	(785)		
4864C Top	3-5 11/16	(1059)	1-10 5/64	(561)	16.03	(1.49)
4864C Bottom			2-9 19/64	(846)		
4868C Top	3-5 11/16	(1059)	1-11 11/16	(602)	17.19	(1.60)
4868C Bottom			2-11 11/16	(906)		
5436C Top	3-11 11/16	(1211)	0-10 13/16	(275)	9.07	(0.84)
5436C Bottom			1-4 9/16	(421)		
5440C Top	3-11 11/16	(1211)	1-0 27/64	(315)	10.39	(0.97)
5440C Bottom			1-6 61/64	(481)		
5444C Top	3-11 11/16	(1211)	1-2 1/32	(356)	11.72	(1.09)
5444C Bottom			1-9 11/32	(542)		
5448C Top	3-11 11/16	(1211)	1-3 41/64	(397)	13.04	(1.21)
5448C Bottom			1-11 47/64	(603)		
5452C Top	3-11 11/16	(1211)	1-5 1/4	(438)	14.36	(1.33)
5452C Bottom			2-2 1/8	(664)		
5456C Top	3-11 11/16	(1211)	1-6 55/64	(479)	15.69	(1.46)
5456C Bottom			2-4 33/64	(724)		
5460C Top	3-11 11/16	(1211)	1-8 15/32	(520)	17.01	(1.58)
5460C Bottom			2-6 29/32	(785)		
5464C Top	3-11 11/16	(1211)	1-10 5/64	(561)	18.34	(1.70)
5464C Bottom			2-9 19/64	(846)		
5468C Top	3-11 11/16	(1211)	1-11 11/16	(602)	19.66	(1.83)
5468C Bottom			2-11 11/16	(906)		

*NOTE: For ITDH Reverse Cottage Style Units the Top Sash becomes the Bottom, and the Bottom sash becomes the Top. Special size Cottage/Reverse Style units are available in frame widths from a minimum 1- 5 1/2 to a maximum 4- 5 1/2. Frame heights are available from 2-11 3/4 to 5-7 3/4

DAYLIGHT – TRANSOM

CN	Daylight Opening Width		Daylight Opening Height		Daylight Opening	
	ft - in	mm	ft - in	mm	ft ²	m ²
2216	1-3 11/16	(398)	0-9 11/16	(246)	1.06	(0.10)
2616	1-7 11/16	(500)	0-9 11/16	(246)	1.32	(0.12)
3016	1-9 11/16	(551)	0-9 11/16	(246)	1.46	(0.14)
3216	2-1 11/16	(652)	0-9 11/16	(246)	1.59	(0.15)
3416	2-3 11/16	(703)	0-9 11/16	(246)	1.86	(0.17)
3616	2-5 11/16	(754)	0-9 11/16	(246)	2.00	(0.19)
3816	2-7 11/16	(805)	0-9 11/16	(246)	2.13	(0.20)
4216	2-11 11/16	(906)	0-9 11/16	(246)	2.40	(0.22)
4816	3-5 11/16	(1059)	0-9 11/16	(246)	2.80	(0.26)
5016	3-7 11/16	(1110)	0-9 11/16	(246)	2.94	(0.27)
5416	3-11 11/16	(1211)	0-9 11/16	(246)	3.21	(0.30)
6216	4-7 11/16	(1414)	0-9 11/16	(246)	3.75	(0.35)
2224	1-3 11/16	(398)	1-5 11/16	(449)	1.93	(0.18)
2624	1-7 11/16	(500)	1-5 11/16	(449)	2.42	(0.22)
3024	1-9 11/16	(551)	1-5 11/16	(449)	2.66	(0.25)
3224	1-11 11/16	(602)	1-5 11/16	(449)	2.91	(0.27)
3424	2-3 11/16	(703)	1-5 11/16	(449)	3.40	(0.32)
3624	2-5 11/16	(754)	1-5 11/16	(449)	3.65	(0.34)
3824	2-7 11/16	(805)	1-5 11/16	(449)	3.89	(0.36)
4224	2-11 11/16	(906)	1-5 11/16	(449)	4.38	(0.41)
4824	3-5 11/16	(1059)	1-5 11/16	(449)	5.12	(0.48)
5024	3-7 11/16	(1110)	1-5 11/16	(449)	5.37	(0.50)
5424	3-11 11/16	(1211)	1-5 11/16	(449)	5.86	(0.54)
6224	4-7 11/16	(1414)	1-5 11/16	(449)	6.84	(0.64)

DAYLIGHT OPENING – PICTURE

CN	Daylight Opening Width		Daylight Opening Height		Daylight Opening	
	ft - in	mm	ft - in	mm	ft ²	m ²
2224	1-3 11/16	(398)	1-5 11/16	(449)	1.93	(0.18)
2236	1-3 11/16	(398)	2-5 11/16	(754)	3.23	(0.30)
2240	1-3 11/16	(398)	2-9 11/16	(856)	3.67	(0.34)
2244	1-3 11/16	(398)	3-1 11/16	(957)	4.11	(0.38)
2248	1-3 11/16	(398)	3-5 11/16	(1059)	4.54	(0.42)
2252	1-3 11/16	(398)	3-9 11/16	(1160)	4.98	(0.46)
2256	1-3 11/16	(398)	4-1 11/16	(1262)	5.41	(0.50)
2260	1-3 11/16	(398)	4-5 11/16	(1364)	5.85	(0.54)
2264	1-3 11/16	(398)	4-9 11/16	(1465)	6.28	(0.58)
2268	1-3 11/16	(398)	5-1 11/16	(1567)	6.72	(0.62)
2272	1-3 11/16	(398)	5-5 11/16	(1668)	7.16	(0.66)
2276	1-3 11/16	(398)	5-9 11/16	(1770)	7.59	(0.71)
2624	1-7 11/16	(500)	1-5 11/16	(449)	2.42	(0.22)
2636	1-7 11/16	(500)	2-5 11/16	(754)	4.06	(0.38)
2640	1-7 11/16	(500)	2-9 11/16	(856)	4.61	(0.43)
2644	1-7 11/16	(500)	3-1 11/16	(957)	5.15	(0.48)
2648	1-7 11/16	(500)	3-5 11/16	(1059)	5.70	(0.53)
2652	1-7 11/16	(500)	3-9 11/16	(1160)	6.25	(0.58)
2656	1-7 11/16	(500)	4-1 11/16	(1262)	6.79	(0.63)
2660	1-7 11/16	(500)	4-5 11/16	(1364)	7.34	(0.68)
2664	1-7 11/16	(500)	4-9 11/16	(1465)	7.89	(0.73)
2668	1-7 11/16	(500)	5-1 11/16	(1567)	8.43	(0.78)
2672	1-7 11/16	(500)	5-5 11/16	(1668)	8.98	(0.83)
2676	1-7 11/16	(500)	5-9 11/16	(1770)	9.53	(0.89)
3024	1-11 11/16	(602)	1-5 11/16	(449)	2.91	(0.27)
3036	1-11 11/16	(602)	2-5 11/16	(754)	4.88	(0.45)
3040	1-11 11/16	(602)	2-9 11/16	(856)	5.54	(0.51)
3044	1-11 11/16	(602)	3-1 11/16	(957)	6.20	(0.58)
3048	1-11 11/16	(602)	3-5 11/16	(1059)	6.86	(0.64)
3052	1-11 11/16	(602)	3-9 11/16	(1160)	7.52	(0.70)
3056	1-11 11/16	(602)	4-1 11/16	(1262)	8.17	(0.76)
3060	1-11 11/16	(602)	4-5 11/16	(1364)	8.83	(0.82)
3064	1-11 11/16	(602)	4-9 11/16	(1465)	9.49	(0.88)
3068	1-11 11/16	(602)	5-1 11/16	(1567)	10.15	(0.94)
3072	1-11 11/16	(602)	5-5 11/16	(1668)	10.81	(1.00)
3076	1-11 11/16	(602)	5-9 11/16	(1770)	11.46	(1.07)

CN	Daylight Opening Width		Daylight Opening Height		Daylight Opening	
	ft - in	mm	ft - in	mm	ft ²	m ²
3224	2-1 11/16	(652)	1-5 11/16	(449)	3.16	(0.29)
3236	2-1 11/16	(652)	2-5 11/16	(754)	5.30	(0.49)
3240	2-1 11/16	(652)	2-9 11/16	(856)	6.01	(0.56)
3244	2-1 11/16	(652)	3-1 11/16	(957)	6.72	(0.62)
3248	2-1 11/16	(652)	3-5 11/16	(1059)	7.44	(0.69)
3252	2-1 11/16	(652)	3-9 11/16	(1160)	8.15	(0.76)
3256	2-1 11/16	(652)	4-1 11/16	(1262)	8.86	(0.82)
3260	2-1 11/16	(652)	4-5 11/16	(1364)	9.58	(0.89)
3264	2-1 11/16	(652)	4-9 11/16	(1465)	10.29	(0.96)
3268	2-1 11/16	(652)	5-1 11/16	(1567)	11.00	(1.02)
3272	2-1 11/16	(652)	5-5 11/16	(1668)	11.72	(1.09)
3276	2-1 11/16	(652)	5-9 11/16	(1770)	12.43	(1.15)
3424	2-3 11/16	(703)	1-5 11/16	(449)	3.40	(0.32)
3436	2-3 11/16	(703)	2-5 11/16	(754)	5.71	(0.53)
3440	2-3 11/16	(703)	2-9 11/16	(856)	6.48	(0.60)
3444	2-3 11/16	(703)	3-1 11/16	(957)	7.25	(0.67)
3448	2-3 11/16	(703)	3-5 11/16	(1059)	8.02	(0.74)
3452	2-3 11/16	(703)	3-9 11/16	(1160)	8.78	(0.82)
3456	2-3 11/16	(703)	4-1 11/16	(1262)	9.55	(0.89)
3460	2-3 11/16	(703)	4-5 11/16	(1364)	10.32	(0.96)
3464	2-3 11/16	(703)	4-9 11/16	(1465)	11.09	(1.03)
3468	2-3 11/16	(703)	5-1 11/16	(1567)	11.86	(1.10)
3472	2-3 11/16	(703)	5-5 11/16	(1668)	12.63	(1.17)
3476	2-3 11/16	(703)	5-9 11/16	(1770)	13.40	(1.24)
3624	2-5 11/16	(754)	1-5 11/16	(449)	3.65	(0.34)
3636	2-5 11/16	(754)	2-5 11/16	(754)	6.12	(0.57)
3640	2-5 11/16	(754)	2-9 11/16	(856)	6.95	(0.65)
3644	2-5 11/16	(754)	3-1 11/16	(957)	7.77	(0.72)
3648	2-5 11/16	(754)	3-5 11/16	(1059)	8.59	(0.80)
3652	2-5 11/16	(754)	3-9 11/16	(1160)	9.42	(0.88)
3656	2-5 11/16	(754)	4-1 11/16	(1262)	10.24	(0.95)
3660	2-5 11/16	(754)	4-5 11/16	(1364)	11.07	(1.03)
3664	2-5 11/16	(754)	4-9 11/16	(1465)	11.89	(1.10)
3668	2-5 11/16	(754)	5-1 11/16	(1567)	12.72	(1.18)
3672	2-5 11/16	(754)	5-5 11/16	(1668)	13.54	(1.26)
3676	2-5 11/16	(754)	5-9 11/16	(1770)	14.37	(1.33)

DAYLIGHT OPENING – PICTURE

CN	Daylight Opening Width		Daylight Opening Height		Daylight Opening	
	ft - in	mm	ft - in	mm	ft ²	m ²
3824	2-7 11/16	(805)	1-5 11/16	(449)	3.89	(0.36)
3836	2-7 11/16	(805)	2-5 11/16	(754)	6.53	(0.61)
3840	2-7 11/16	(805)	2-9 11/16	(856)	7.41	(0.69)
3844	2-7 11/16	(805)	3-1 11/16	(957)	8.29	(0.77)
3848	2-7 11/16	(805)	3-5 11/16	(1059)	9.17	(0.85)
3852	2-7 11/16	(805)	3-9 11/16	(1160)	10.05	(0.93)
3856	2-7 11/16	(805)	4-1 11/16	(1262)	10.93	(1.02)
3860	2-7 11/16	(805)	4-5 11/16	(1364)	11.81	(1.10)
3864	2-7 11/16	(805)	4-9 11/16	(1465)	12.69	(1.18)
3868	2-7 11/16	(805)	5-1 11/16	(1567)	13.57	(1.26)
3872	2-7 11/16	(805)	5-5 11/16	(1668)	14.46	(1.34)
3876	2-7 11/16	(805)	5-9 11/16	(1770)	15.34	(1.42)
4224	2-11 11/16	(906)	1-5 11/16	(449)	4.38	(0.41)
4236	2-11 11/16	(906)	2-5 11/16	(754)	7.36	(0.68)
4240	2-11 11/16	(906)	2-9 11/16	(856)	8.35	(0.78)
4244	2-11 11/16	(906)	3-1 11/16	(957)	9.34	(0.87)
4248	2-11 11/16	(906)	3-5 11/16	(1059)	10.33	(0.96)
4252	2-11 11/16	(906)	3-9 11/16	(1160)	11.32	(1.05)
4256	2-11 11/16	(906)	4-1 11/16	(1262)	12.31	(1.14)
4260	2-11 11/16	(906)	4-5 11/16	(1364)	13.31	(1.24)
4264	2-11 11/16	(906)	4-9 11/16	(1465)	14.30	(1.33)
4268	2-11 11/16	(906)	5-1 11/16	(1567)	15.29	(1.42)
4272	2-11 11/16	(906)	5-5 11/16	(1668)	16.28	(1.51)
4276	2-11 11/16	(906)	5-9 11/16	(1770)	17.27	(1.60)
4824	3-5 11/16	(1059)	1-5 11/16	(449)	5.12	(0.48)
4836	3-5 11/16	(1059)	2-5 11/16	(754)	8.59	(0.80)
4840	3-5 11/16	(1059)	2-9 11/16	(856)	9.75	(0.91)
4844	3-5 11/16	(1059)	3-1 11/16	(957)	10.91	(1.01)
4848	3-5 11/16	(1059)	3-5 11/16	(1059)	12.07	(1.12)
4852	3-5 11/16	(1059)	3-9 11/16	(1160)	13.23	(1.23)
4856	3-5 11/16	(1059)	4-1 11/16	(1262)	14.38	(1.34)
4860	3-5 11/16	(1059)	4-5 11/16	(1364)	15.54	(1.44)
4864	3-5 11/16	(1059)	4-9 11/16	(1465)	16.70	(1.55)
4868	3-5 11/16	(1059)	5-1 11/16	(1567)	17.86	(1.66)
4872	3-5 11/16	(1059)	5-5 11/16	(1668)	19.02	(1.77)
4876	3-5 11/16	(1059)	5-9 11/16	(1770)	20.17	(1.87)
5024	3-7 11/16	(1110)	1-5 11/16	(449)	5.37	(0.50)
5036	3-7 11/16	(1110)	2-5 11/16	(754)	9.01	(0.84)
5040	3-7 11/16	(1110)	2-9 11/16	(856)	10.22	(0.95)
5044	3-7 11/16	(1110)	3-1 11/16	(957)	11.43	(1.06)
5048	3-7 11/16	(1110)	3-5 11/16	(1059)	12.65	(1.18)
5052	3-7 11/16	(1110)	3-9 11/16	(1160)	13.86	(1.29)
5056	3-7 11/16	(1110)	4-1 11/16	(1262)	15.07	(1.40)
5060	3-7 11/16	(1110)	4-5 11/16	(1364)	16.29	(1.51)
5064	3-7 11/16	(1110)	4-9 11/16	(1465)	17.50	(1.63)
5068	3-7 11/16	(1110)	5-1 11/16	(1567)	18.72	(1.74)
5072	3-7 11/16	(1110)	5-5 11/16	(1668)	19.93	(1.85)
5076	3-7 11/16	(1110)	5-9 11/16	(1770)	21.14	(1.96)

CN	Daylight Opening Width		Daylight Opening Height		Daylight Opening	
	ft - in	mm	ft - in	mm	ft ²	m ²
5424	3-11 11/16	(1211)	1-5 11/16	(449)	5.86	(0.54)
5436	3-11 11/16	(1211)	2-5 11/16	(754)	9.83	(0.91)
5440	3-11 11/16	(1211)	2-9 11/16	(856)	11.16	(1.04)
5444	3-11 11/16	(1211)	3-1 11/16	(957)	12.48	(1.16)
5448	3-11 11/16	(1211)	3-5 11/16	(1059)	13.81	(1.28)
5452	3-11 11/16	(1211)	3-9 11/16	(1160)	15.13	(1.41)
5456	3-11 11/16	(1211)	4-1 11/16	(1262)	16.46	(1.53)
5460	3-11 11/16	(1211)	4-5 11/16	(1364)	17.78	(1.65)
5464	3-11 11/16	(1211)	4-9 11/16	(1465)	19.10	(1.77)
5468	3-11 11/16	(1211)	5-1 11/16	(1567)	20.43	(1.90)
5472	3-11 11/16	(1211)	5-5 11/16	(1668)	21.75	(2.02)
5476	3-11 11/16	(1211)	5-9 11/16	(1770)	23.08	(2.14)
6224	4-7 11/16	(1414)	1-5 11/16	(449)	6.84	(0.64)
6236	4-7 11/16	(1414)	2-5 11/16	(754)	11.48	(1.07)
6240	4-7 11/16	(1414)	2-9 11/16	(856)	13.03	(1.21)
6244	4-7 11/16	(1414)	3-1 11/16	(957)	14.57	(1.35)
6248	4-7 11/16	(1414)	3-5 11/16	(1059)	16.12	(1.50)
6252	4-7 11/16	(1414)	3-9 11/16	(1160)	17.67	(1.64)
6256	4-7 11/16	(1414)	4-1 11/16	(1262)	19.22	(1.79)
6260	4-7 11/16	(1414)	4-5 11/16	(1364)	20.76	(1.93)
6264	4-7 11/16	(1414)	4-9 11/16	(1465)	22.31	(2.07)
6268	4-7 11/16	(1414)	5-1 11/16	(1567)	23.86	(2.22)
6272	4-7 11/16	(1414)	5-5 11/16	(1668)	25.40	(2.36)
6276	4-7 11/16	(1414)	5-9 11/16	(1770)	26.95	(2.50)

MINIMUM AND MAXIMUM GUIDELINES

Minimum and Maximum Guidelines										
Unit Type	Frame Size								Max Glass Size	
	Min Width		Min Height		Max Width		Max Height		Sq. Feet	Sq. Meters
	in	mm	in	mm	in	mm	in	mm		
ITDH	17 1/2	(445)	27 3/4	(705)	53 1/2	(1359)	83 3/4	(2127)	27 19/64	2.536
ITDHT	17 1/2	(445)	15 3/4	(400)	61 1/2	(1562)	23 3/4	(603)	8 1/8	0.755
ITDHP	17 1/2	(445)	23 3/4	(603)	53 1/2	(1359)	83 3/4	(2127)	27 19/64	2.536
ITDHP	17 1/2	(445)	23 3/4	(603)	61 1/2	(1562)	75 3/4	(1924)	27 7/8	2.590
ITDH-C*	17 1/2	(445)	35 3/4	(908)	53 1/2	(1359)	67 3/4	(1721)	21 7/8	2.032
ITDH-RC**	17 1/2	(445)	35 3/4	(908)	53 1/2	(1359)	67 3/4	(1721)	21 7/8	2.032

*ITDH-C = Cottage Style Unit

**ITDH-RC = Reverse Cottage Style Unit

NOTE: Special sizes are available in 1/64" (40) increments, not to exceed the frame size measurement maximum or minimum in the table above

NOTE: CE mark is not available on Double Hung Transoms and Pictures.

NOTE: CE mark is not available on Impact units.

CERTIFIED SIZES – STANDARD

Certified Sizes and Ratings – Standard and High Performance Units								
Product	Air Tested to psf	Water Tested to psf	Certification Rating	Design Pressure (DP)	Max Overall Width		Max Overall Height	
					in	mm	in	mm
Wood Ultrex Double Hung (Cottage 4268)	1.57	6.06	LC-PG40-H	DP40	41 1/2	(1054)	67 3/4	(1721)
Wood Ultrex Double Hung (Cottage HP 4268)	1.57	7.52	LC-PG50-H	DP50	41 1/2	(1054)	67 3/4	(1721)
Wood Ultrex Double Hung (4276)	1.57	6.06	LC-PG40-H	DP40	41 1/2	(1054)	75 3/4	(1924)
Wood Ultrex Double Hung (HP 4276)	1.57	7.52	LC-PG50-H	DP50	41 1/2	(1054)	75 3/4	(1924)
Wood Ultrex Double Hung (4284)	1.57	5.43	LC-PG35-H	DP35	41 1/2	(1054)	83 3/4	(2127)
Wood Ultrex Double Hung (HP 4284)	1.57	6.06	LC-PG40-H	DP40	41 1/2	(1054)	83 3/4	(2127)
Wood Ultrex Double Hung (5476)	1.57	6.06	LC-PG40-H	DP40	53 1/2	(1359)	75 3/4	(1924)
Wood Ultrex Double Hung (HP 5476)	1.57	7.52	LC-PG50-H	DP50	53 1/2	(1359)	75 3/4	(1924)
Wood Ultrex Double Hung (5484)	1.57	5.43	LC-PG35-H	DP35	53 1/2	(1359)	83 3/4	(2127)
Wood Ultrex Double Hung (HP 5484)	1.57	6.06	LC-PG40-H	DP40	53 1/2	(1359)	83 3/4	(2127)
Wood Ultrex Double Hung Picture (5484)	1.57	5.43	LC-PG35-FW	DP35	53 1/2	(1359)	83 3/4	(2127)
Wood Ultrex Double Hung Picture (HP 5484)	1.57	6.06	LC-PG40-FW	DP40	53 1/2	(1359)	83 3/4	(2127)
Wood Ultrex Double Hung Picture (6276)	1.57	6.06	LC-PG40-FW	DP40	61 1/2	(1562)	75 3/4	(1924)
Wood Ultrex Double Hung Picture (HP 6276)	1.57	7.52	LC-PG50-FW	DP50	61 1/2	(1562)	75 3/4	(1924)

EGRESS MEASUREMENT / EGRESS FORMULA

Egress Calculations for Special Sizes			
Minimum Value for Net Clear Opening		Desired Dimension	Formula
20"	(508)	Egress Opening Width (inches)	= Frame OMW – 3.128" (79)
24"	(610)	***Egress Opening Height (inches)	Standard (Non-Impact Units) = (Frame OMH/2) – 4.904" (128)
			Impact and HP Units = (frame OMH/2)–5.362" (140)
			*Egress Sash Stop = (Frame OMH / 2) – 4.104 (108)
			**Impact Limited Sash Stop =(Frame OMH/2)–9.862" (254)
5.7 sq. ft.	(0.53)	Egress Opening Area (sq. ft.)	= (Egress Width x Egress Height) / 144

*Egress sash stop calculation is used for non-impact units in the following ranges:

ITDH 3660

–Special Size Rough Opening Width greater than 34 1/2" (876) and up to 38 1/2" (978) combined with a Special Size Rough Opening Height equal to 60 1/4" (1530) and up to, but not including, 62" (1575) (i.e. 37 1/4" x 61 3/4")

** Impact limited sash stop calculation is used for the following units:

–Impact units with a Rough Opening width equal to 36 1/2" (927) or greater combined with a Rough Opening Height equal to 76 1/7" (1937) or greater (i.e. 37 1/4" x 76 1/4")

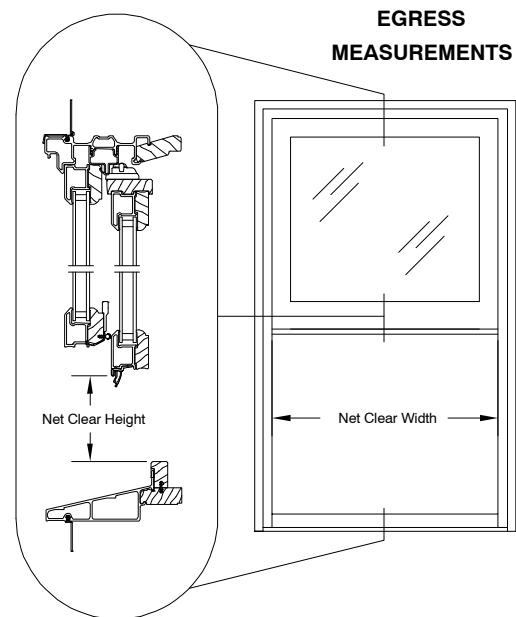
***All Cottage and Reverse Cottage Units do not meet Egress requirements, For specific egress information please contact your Integrity Dealer.

Note: Rough Opening values (Rough Opening Width & Rough Opening Height) are based on unit sizes with standard jambs (4 9/16").

For all sizes not listed above, the standard sash stop calculation can be used.

Code restrictions may vary depending on your local building codes. For additional information, contact your local code department for IBC or IRC requirements.

Clear height at bottom sash rail to sill



CONVERSIONS

Double Hung Operating Unit						
Unit Measurements		Width		Height		
From	To					
Rough Opening		in	mm	in	mm	
Masonry Opening	Rough Opening	+ 1/2	(13)	+ 1/4	(06)	
OM of Frame	Rough Opening	+ 1	(25)	+ 1/2	(13)	
Daylight Opening	Rough Opening	+ 6 13/16	(173)	+ 4 7/16	(113)	× 2
Frame		in	mm	in	mm	
Daylight Opening	OM of Frame	+ 5 13/16	(148)	+ 4 13/64	(107)	× 2
Top Sash (Equal Sash)		in	mm	in	mm	
OM of Frame	OM of Top Sash	-2 9/16	(65)	-15/16	(24)	+ 2
Daylight Opening	OM of Top Sash	+ 3 1/4	(83)	+ 3 1/4	(83)	
Bottom Sash (Equal Sash)		in	mm	in	mm	
OM of Frame	OM of Bottom Sash	-2 9/16	(65)	-15/16	(24)	+ 2
Daylight Opening	OM of Bottom Sash	+ 3 1/4	(83)	+ 3 1/4	(83)	
Top Sash (Cottage Style)		in	mm	in	mm	
OM of Frame	OM of Top Sash	-2 9/16	(65)	-51/64	(20)	× 0.402
Daylight Opening	OM of Top Sash	+ 3 1/4	(83)	+ 3 1/4	(83)	
Bottom Sash (Cottage Style)		in	mm	in	mm	
OM of Frame	OM of Bottom Sash	-2 9/16	(65)	-2 37/64	(66)	× 0.597
Daylight Opening	OM of Bottom Sash	+ 3 1/4	(83)	+ 3 1/4	(83)	
Glass		in	mm	in	mm	
Daylight Opening	Glass (Standard Units)	+ 1 1/16	(27)	+ 1 1/16	(27)	
Daylight Opening	Glass (Impact Units)	+ 7/8	(22)	+ 7/8	(22)	
OM of Frame	Glass (Standard Units)	-4 3/4	(121)	-6 1/4	(159)	+ 2
OM of Frame	Glass (Impact Units)	-4 15/16	(125)	-6 5/8	(168)	+ 2
Full Screen		in	mm	in	mm	
OM of Frame	OM of Screen	-2	(51)	-1 5/8	(41)	
Daylight Opening	OM of Screen	+ 3 13/16	(97)	+ 3 3/8	(86)	× 2
Half Screen		in	mm	in	mm	
OM of Bottom Sash	OM of Screen	+ 9/16	(14)	+ 25/32	(20)	
Daylight Opening Bottom sash	OM of Screen	+ 3 13/16	(97)	+ 4 1/32	(102)	

*NOTE: For Reverse Cottage Style units, Top Sash becomes Bottom Sash and Bottom Sash becomes Top Sash

Double Hung Picture/Transom Units						
Unit Measurements		Width		Height		
From	To					
Rough Opening		in	mm	in	mm	
Masonry Opening	Rough Opening	+ 1/2	(13)	+ 1/4	(06)	
OM of Frame	Rough Opening	+ 1	(25)	+ 1/2	(13)	
Daylight Opening	Rough Opening	+ 6 13/16	(173)	+ 6 9/16	(167)	
Frame		in	mm	in	mm	
Daylight Opening	OM of Frame	+ 5 13/16	(148)	+ 6 1/16	(154)	
Sash		in	mm	in	mm	
OM of Frame	OM of Sash	-2 9/16	(65)	-2 13/16	(71)	
Daylight Opening	OM of Sash	+ 3 1/4	(83)	+ 3 1/4	(83)	
Glass		in	mm	in	mm	
Daylight Opening	Glass (Standard Units)	+ 1 1/16	(27)	+ 1 1/16	(27)	
Daylight Opening	Glass (Impact Units)	+ 7/8	(22)	+ 7/8	(22)	
OM of Frame	Glass (Standard Units)	+ 4 3/4	(121)	+ 5	(127)	
OM of Frame	Glass (Impact Units)	+ 4 15/16	(125)	+ 5 3/16	(132)	

MULLING GUIDELINES

Multiple assemblies can be factory mulled: up to 5 units wide by 1 unit high OR 3 unit wide by 6 units high.

MAXIMUM ROUGH OPENING not to exceed 113 1/2" (2883) X 76 1/4" (1937) up to 5 units wide by 1 units high

MAXIMUM ROUGH OPENING not to exceed 84" (2134) X 92" (2337) up to 3 units wide by 5 units high.

NOTE: Field mulling beyond the above limitations is not recommended

NOTE: CE mark is not available on factory mulled units

NOTE: ADD 1/4" to width and 1/8" to height of frame, rough, and masonry opening sizes 6 9/16" (167) and 6 13/16" (173) jamb extension available factory applied or in lineal lengths for field application.

Calculating Total Rough Opening for Assemblies

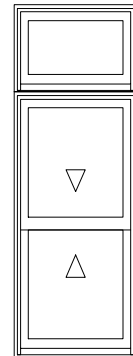
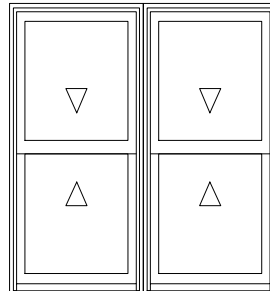
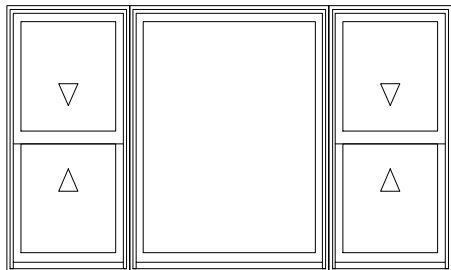
WIDTH: ADD Frame Widths + 1" (25)

Tolerance = 1/2" (13) from frame to Rough Opening at left and right jamb.

HEIGHT: ADD Frame Widths + 1/2" (13)

Tolerance = 1/2" (13) from frame to Rough Opening at head jamb.

Factory Mulling: The Wood-Ultrex Double Hung may be mulled to Wood-Ultrex Double Hung products, Direct Glaze Polygon, Integrity Round Tops, and Integrity Round Tops by Marvin.



1 Unit Wide
2 Units High

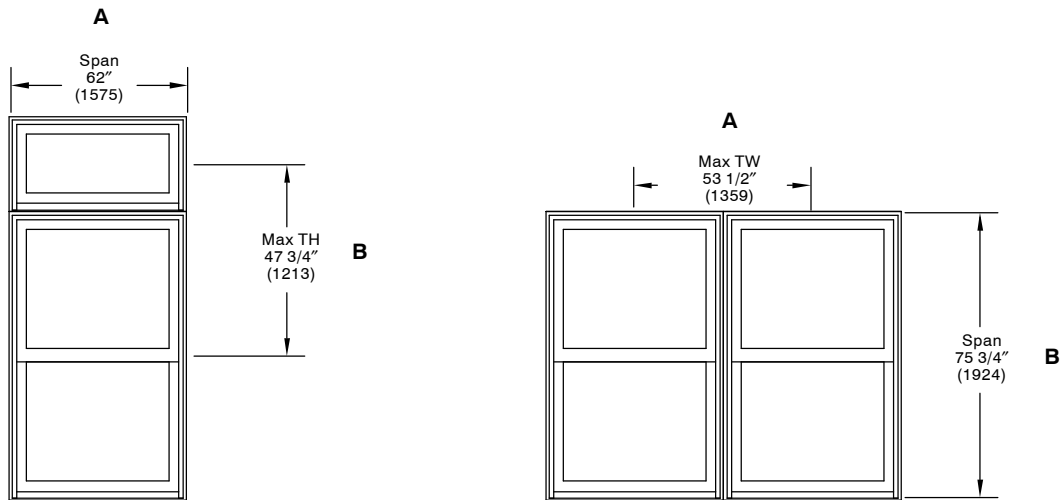
IMPACT MULLING GUIDELINES

Impact Certified Mull Limits: WDMA Hallmark certified to AAMA 450.

- If assemblies have individual units that have a lower design pressure than the mull; the entire assembly is rated at the lower design pressure.
- Mull certification includes 12" mull brackets fastened at all mull joints.
- Items not included in certified mulls: Standard mull assemblies, Integrity round tops, Integrity round tops by Marvin, Impact multi-wide x multi-high assemblies.

1 Directional Mull Limits				
Product	Max Span	Max TW or TH	Max R.O.	DP
WU Double Hung Vertical Mulling IZ3	75 3/4" (1924)	53 1/2" (1359)	113 1/2" x 76 1/4" (2883 x 1937)	55/65
WU Double Hung Horizontal Mulling IZ3	62" (1575)	47 1/8" (1213)	63" x 92" (1600 x 2337)	55/65

- Standard Mulls are not certified
- Assembly DP is lowest DP of mull or any product
- Stepped Mulls are not certified
- Tributary Width or Tributary Height = 1/2A + 1/2B



STANDARD SIZE CHARTS – DOUBLE HUNG

Standard Double Hung Unit Measurements								
Width								
CN	Masonry Opening		Rough Opening		Frame Size		Daylight Opening	
	ft - in	mm	ft - in	mm	ft - in	mm	ft - in	mm
22	1-10	(559)	1-10 1/2	(572)	1-9 1/2	(546)	1-3 11/16	(398)
26	2-2	(660)	2-2 1/2	(673)	2-1 1/2	(648)	1-7 11/16	(500)
30	2-6	(762)	2-6 1/2	(775)	2-5 1/2	(749)	1-11 11/16	(602)
32	2-8	(813)	2-8 1/2	(826)	2-7 1/2	(800)	2-1 11/16	(652)
34	2-10	(864)	2-10 1/2	(876)	2-9 1/2	(851)	2-3 11/16	(703)
36	3-0	(914)	3-0 1/2	(927)	2-11 1/2	(902)	2-5 11/16	(754)
38	3-2	(965)	3-2 1/2	(978)	3-1 1/2	(953)	2-7 11/16	(805)
42	3-6	(1067)	3-6 1/2	(1080)	3-5 1/2	(1054)	2-11 11/16	(906)
48	4-0	(1219)	4-0 1/2	(1232)	3-11 1/2	(1207)	3-5 11/16	(1059)
54	4-6	(1372)	4-6 1/2	(1384)	4-5 1/2	(1359)	3-11 11/16	(1211)

Standard Double Hung Unit Measurements								
Height								
CN	Masonry Opening		Rough Opening		Frame Size		Daylight Opening	
	ft - in	mm	ft - in	mm	ft - in	mm	ft - in	mm
36	3-0	(914)	3-0 1/4	(921)	2-11 3/4	(908)	1-1 11/16	(348)
40	3-4	(1016)	3-4 1/4	(1022)	3-3 3/4	(1010)	1-3 11/16	(398)
44	3-8	(1118)	3-8 1/4	(1124)	3-7 3/4	(1111)	1-5 11/16	(449)
48	4-0	(1219)	4-0 1/4	(1226)	3-11 3/4	(1213)	1-7 11/16	(500)
52	4-4	(1321)	4-4 1/4	(1327)	4-3 3/4	(1314)	1-9 11/16	(551)
56	4-8	(1422)	4-8 1/4	(1429)	4-7 3/4	(1416)	1-11 11/16	(602)
60	5-0	(1524)	5-0 1/4	(1530)	4-11 3/4	(1518)	2-1 11/16	(652)
64	5-4	(1626)	5-4 1/4	(1632)	5-3 3/4	(1619)	2-3 11/16	(703)
68	5-8	(1727)	5-8 1/4	(1734)	5-7 3/4	(1721)	2-5 11/16	(754)
72	6-0	(1829)	6-0 1/4	(1835)	5-11 3/4	(1822)	2-7 11/16	(805)
76	6-4	(1930)	6-4 1/4	(1937)	6-3 3/4	(1924)	2-9 11/16	(856)

For standard double hung elevations, visit: www.marvin.com

For impact double hung elevations, visit: www.marvin.com

STANDARD SIZE CHARTS – TRANSOM

Standard Double Hung Transom Unit Measurements										
Width										
CN	Masonry Opening		Rough Opening		Frame Size		Sash Size		Daylight Opening	
	in	mm	in	mm	in	mm	in	mm	in	mm
22	22	(559)	22 1/2	(572)	21 1/2	(546)	18 15/16	(481)	15 11/16	(398)
26	26	(660)	26 1/2	(673)	25 1/2	(648)	22 15/16	(583)	19 11/16	(500)
30	30	(762)	30 1/2	(775)	29 1/2	(749)	26 15/16	(684)	21 11/16	(551)
32	32	(813)	32 1/2	(826)	31 1/2	(800)	28 15/16	(735)	23 11/16	(602)
34	34	(864)	34 1/2	(876)	33 1/2	(851)	30 15/16	(786)	27 11/16	(703)
36	36	(914)	36 1/2	(927)	35 1/2	(902)	32 15/16	(837)	29 11/16	(754)
38	38	(965)	38 1/2	(978)	37 1/2	(953)	34 15/16	(888)	31 11/16	(805)
42	42	(1067)	42 1/2	(1080)	41 1/2	(1054)	38 15/16	(989)	35 11/16	(906)
48	48	(1219)	48 1/2	(1232)	47 1/2	(1207)	44 15/16	(1142)	41 11/16	(1059)
50	50	(1270)	50 1/2	(1283)	49 1/2	(1257)	46 15/16	(1192)	43 11/16	(1110)
54	54	(1372)	54 1/2	(1384)	53 1/2	(1359)	50 15/16	(1294)	47 11/16	(1211)
62	62	(1575)	62 1/2	(1588)	61 1/2	(1562)	58 15/16	(1497)	55 11/16	(1414)

Special Size ITDHT are available to a minimum frame width of 17 1/2" (445) in increments of 1/64" up to a width of 61 1/2" (1562)

Standard Double Hung Transom Unit Measurements										
Height										
CN	Masonry Opening		Rough Opening		Frame Size		Sash Size		Daylight Opening	
	in	mm	in	mm	in	mm	in	mm	in	mm
16	16	(406)	16	(413)	15 3/4	(400)	12 15/16	(329)	9 11/16	(246)
24	24	(610)	24	(616)	23 3/4	(603)	20 15/16	(532)	17 11/16	(449)

NOTE: CE is not available on Double Hung Picture units.

STANDARD SIZE CHARTS – PICTURE

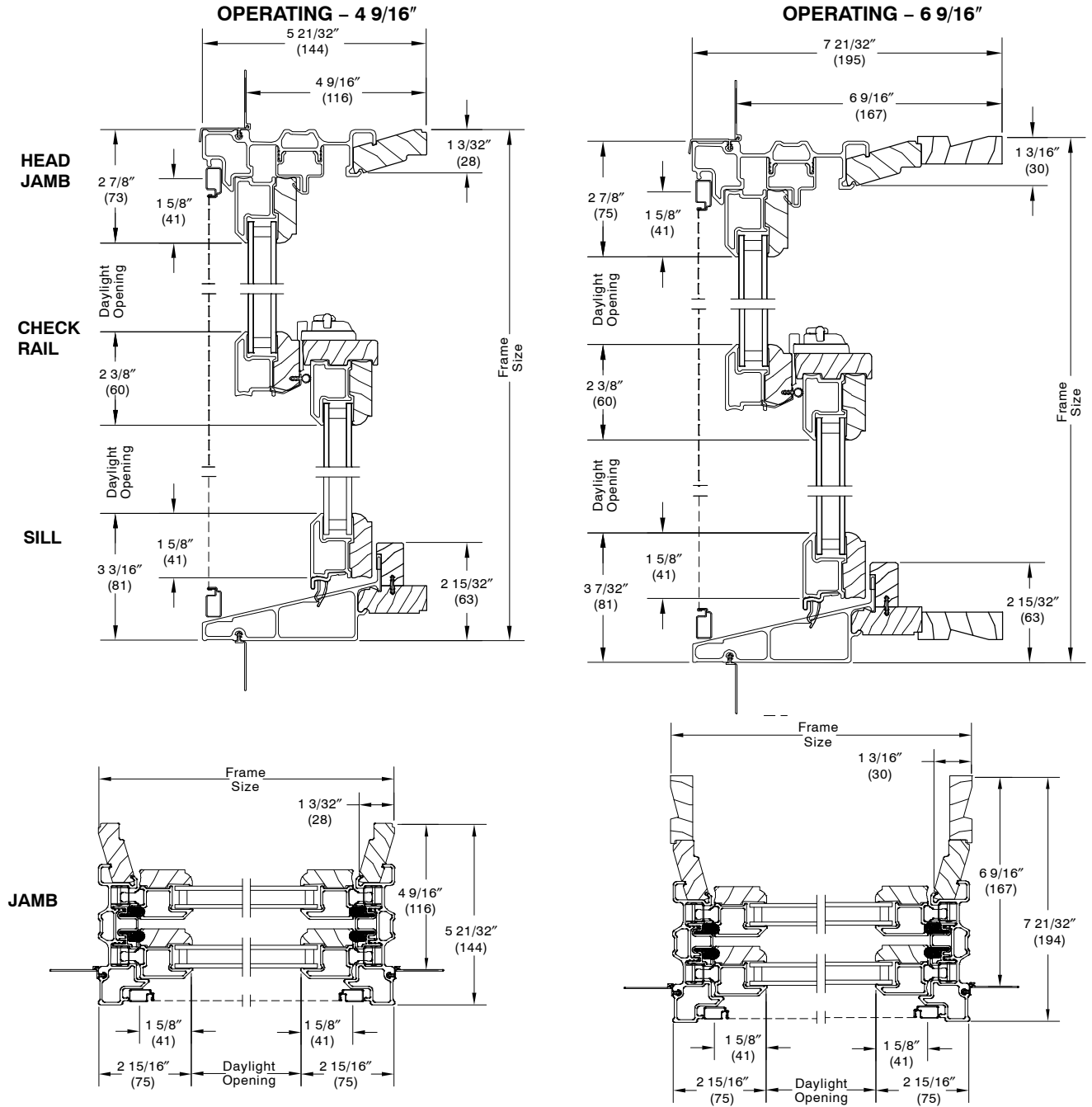
Standard Double Hung Picture Unit Measurements										
Width										
CN	Masonry Opening		Rough Opening		Frame Size		Sash Size		Daylight Opening	
	ft-in	mm	ft-in	mm	ft-in	mm	ft-in	mm	ft-in	mm
22	1-10	(559)	1-10 1/2	(572)	1-9 1/2	(546)	1-6 15/16	(481)	1-3 11/16	(398)
26	2-2	(660)	2-2 1/2	(673)	2-1 1/2	(648)	1-10 15/16	(583)	1-7 11/16	(500)
30	2-6	(762)	2-6 1/2	(775)	2-5 1/2	(749)	2-2 15/16	(684)	1-11 11/16	(602)
32	2-8	(813)	2-8 1/2	(826)	2-7 1/2	(800)	2-4 15/16	(735)	2-1 11/16	(652)
34	2-10	(864)	2-10 1/2	(876)	2-9 1/2	(851)	2-6 15/16	(786)	2-3 11/16	(703)
36	3-0	(914)	3-0 1/2	(927)	2-11 1/2	(902)	2-8 15/16	(837)	2-5 11/16	(754)
38	3-2	(965)	3-2 1/2	(978)	3-1 1/2	(953)	2-10 15/16	(888)	2-7 11/16	(805)
42	3-6	(1067)	3-6 1/2	(1080)	3-5 1/2	(1054)	3-2 15/16	(989)	2-11 11/16	(906)
48	4-0	(1219)	4-0 1/2	(1232)	3-11 1/2	(1207)	3-8 15/16	(1142)	3-5 11/16	(1059)
50	4-2	(1270)	4-2 1/2	(1283)	4-1 1/2	(1257)	3-10 15/16	(1192)	3-7 11/16	(1110)
54	4-6	(1372)	4-6 1/2	(1384)	4-5 1/2	(1359)	4-2 15/16	(1294)	3-11 11/16	(1211)
62	5-2	(1575)	5-2 1/2	(1588)	5-1 1/2	(1562)	4-10 15/16	(1497)	4-7 11/16	(1414)

Standard Double Hung Picture Unit Measurements										
Height										
CN	Masonry Opening		Rough Opening		Frame Size		Sash Size		Daylight Opening	
	ft-in	mm	ft-in	mm	ft-in	mm	ft-in	mm	ft-in	mm
24	2-0	(610)	2-0 1/4	(616)	1-11 3/4	(603)	1-8 15/16	(532)	1-5 11/16	(449)
36	3-0	(914)	3-0 1/4	(921)	2-11 3/4	(908)	2-8 15/16	(837)	2-5 11/16	(754)
40	3-4	(1016)	3-4 1/4	(1022)	3-3 3/4	(1010)	3-0 15/16	(938)	2-9 11/16	(856)
44	3-8	(1118)	3-8 1/4	(1124)	3-7 3/4	(1111)	3-4 15/16	(1040)	3-1 11/16	(957)
48	4-0	(1219)	4-0 1/4	(1226)	3-11 3/4	(1213)	3-8 15/16	(1142)	3-5 11/16	(1059)
52	4-4	(1321)	4-4 1/4	(1327)	4-3 3/4	(1314)	4-0 15/16	(1243)	3-9 11/16	(1160)
56	4-8	(1422)	4-8 1/4	(1429)	4-7 3/4	(1416)	4-4 15/16	(1345)	4-1 11/16	(1262)
60	5-0	(1524)	5-0 1/4	(1530)	4-11 3/4	(1518)	4-8 15/16	(1446)	4-5 11/16	(1364)
64	5-4	(1626)	5-4 1/4	(1632)	5-3 3/4	(1619)	5-0 15/16	(1548)	4-9 11/16	(1465)
68	5-8	(1727)	5-8 1/4	(1734)	5-7 3/4	(1721)	5-4 15/16	(1650)	5-1 11/16	(1567)
72	6-0	(1829)	6-0 1/4	(1835)	5-11 3/4	(1822)	5-8 15/16	(1751)	5-5 11/16	(1668)
76	6-4	(1930)	6-4 1/4	(1937)	6-3 3/4	(1924)	6-0 15/16	(1853)	5-9 11/16	(1770)

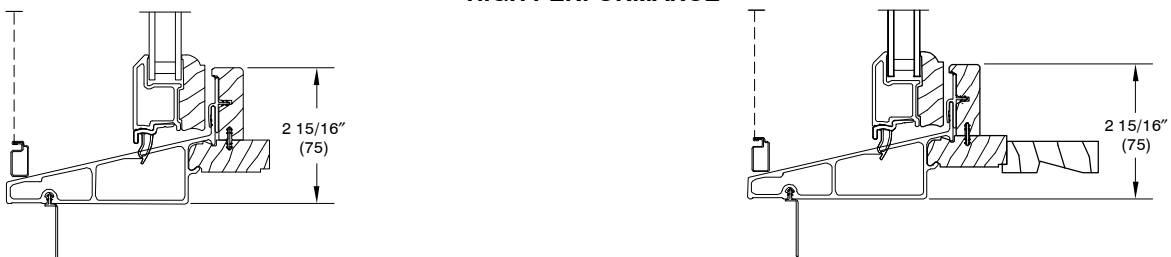
NOTE: CE is not available on Double Hung Picture units.

SECTION DETAILS: Not to Scale

STANDARD GLAZED



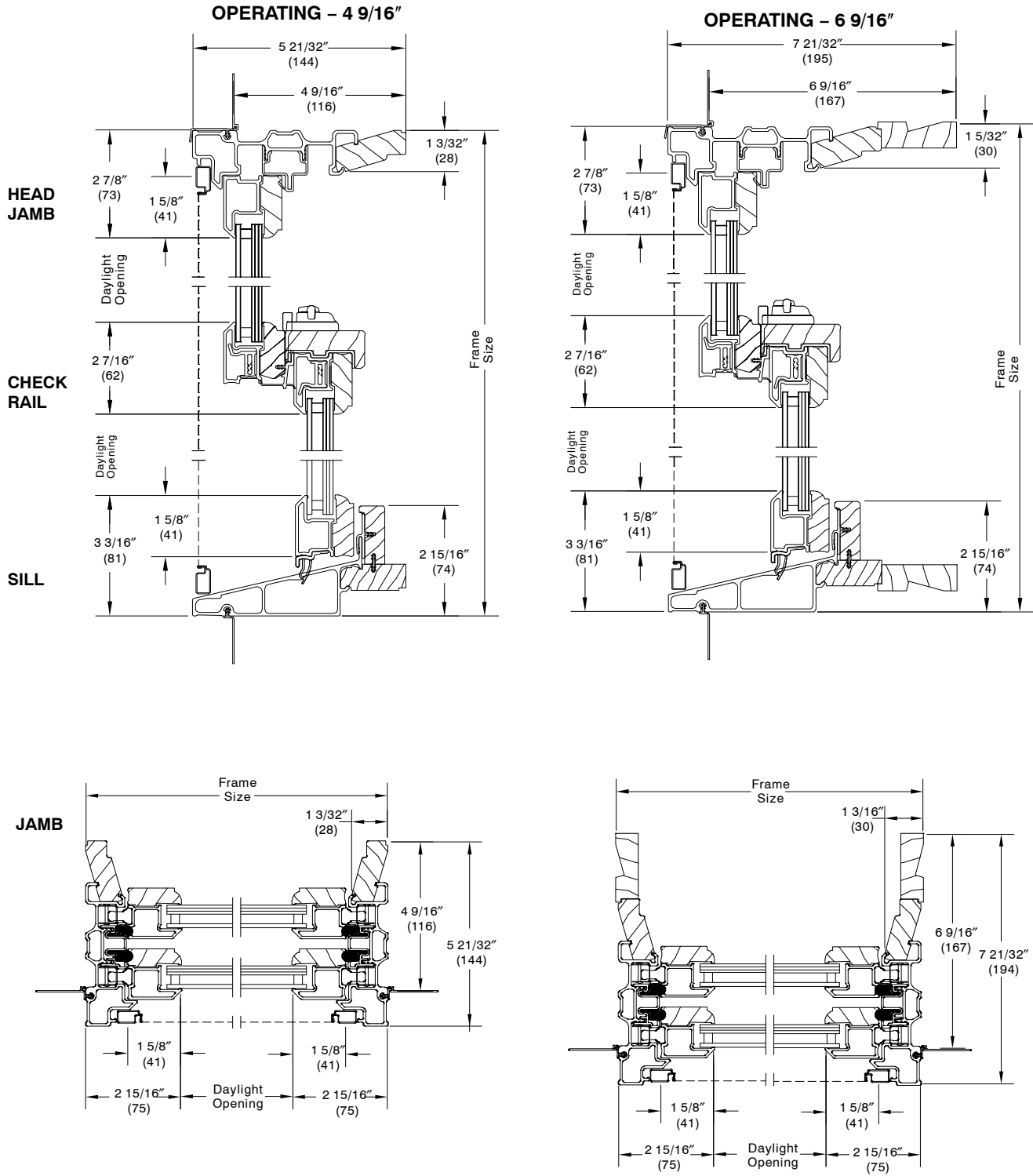
HIGH PERFORMANCE



NOTE: CE is not available on High Performance units

SECTION DETAILS Not to Scale

DOUBLE HUNG - IMPACT UNITS



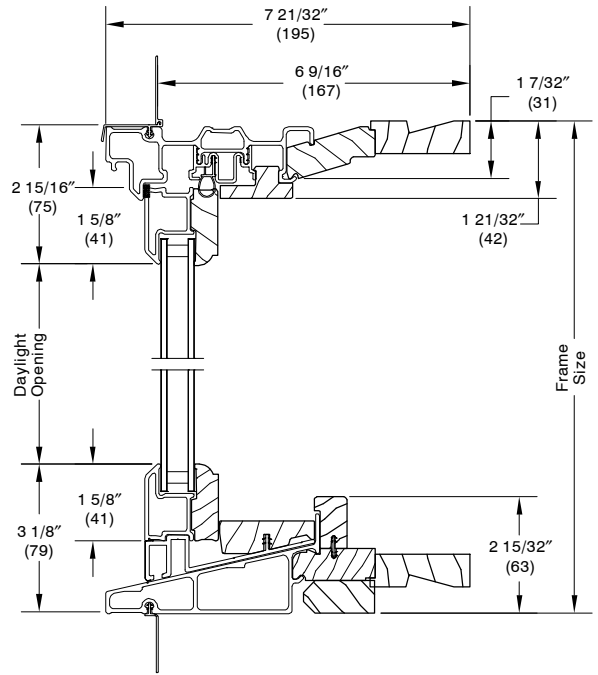
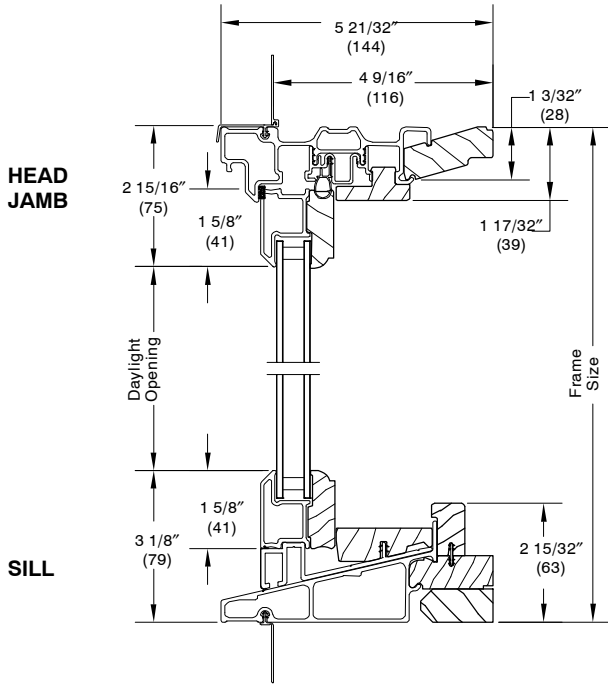
NOTE: CE is not available on High Performance or Impact units

SECTION DETAILS Not to Scale

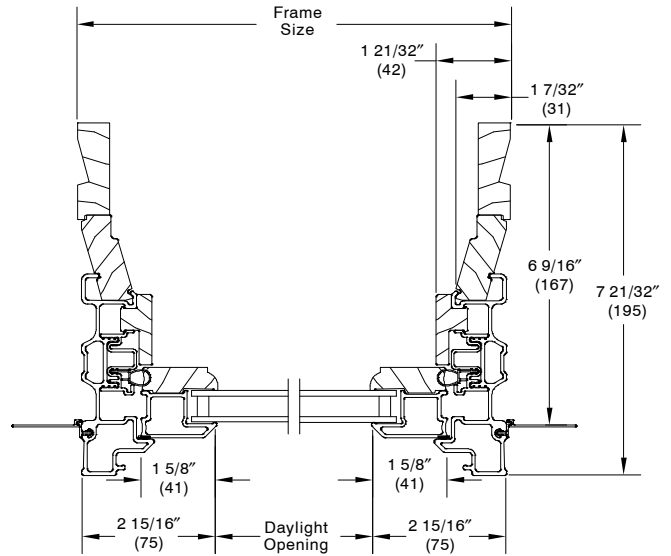
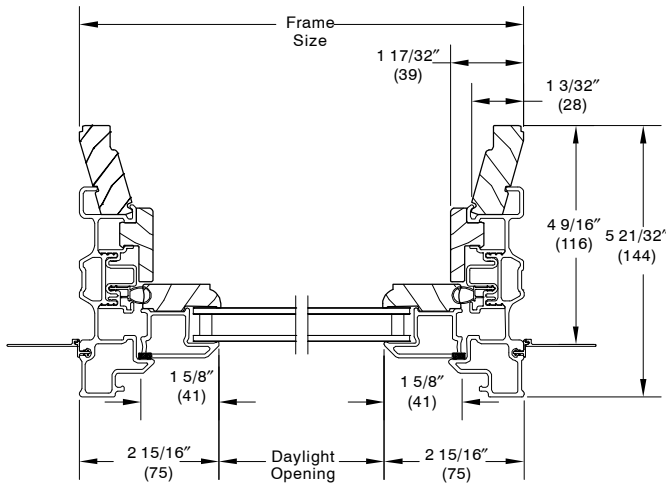
STANDARD GLAZED

TRANSOM / PICTURE - 4 9/16"

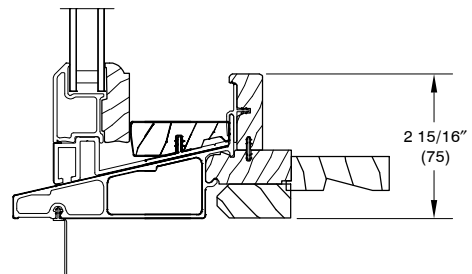
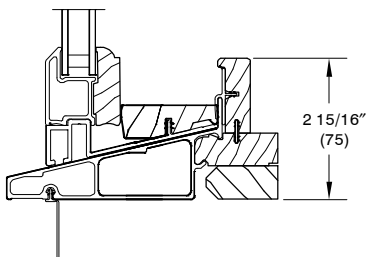
TRANSOM / PICTURE - 6 9/16"



JAMB



HIGH PERFORMANCE

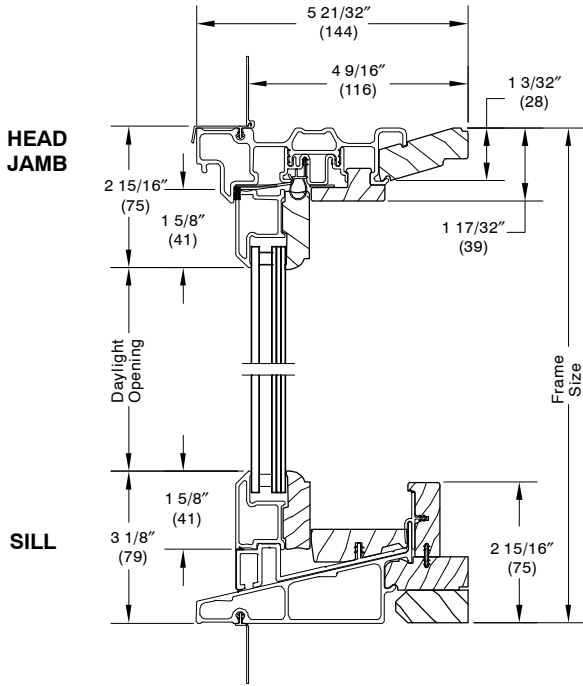


NOTE: NOTE: CE is not available on High Performance units

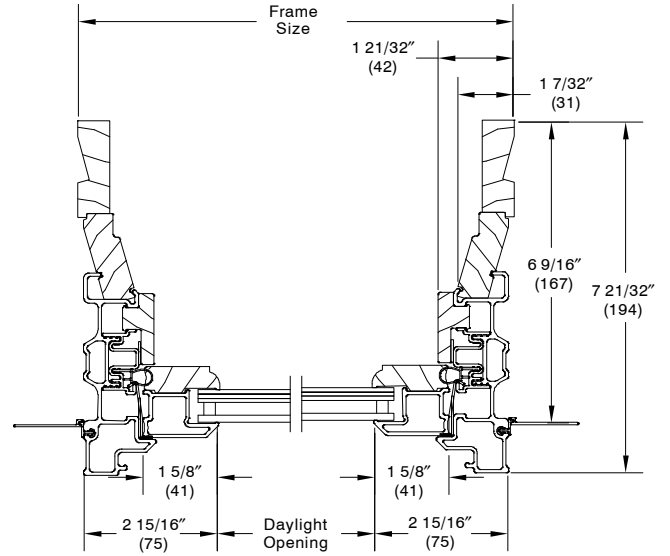
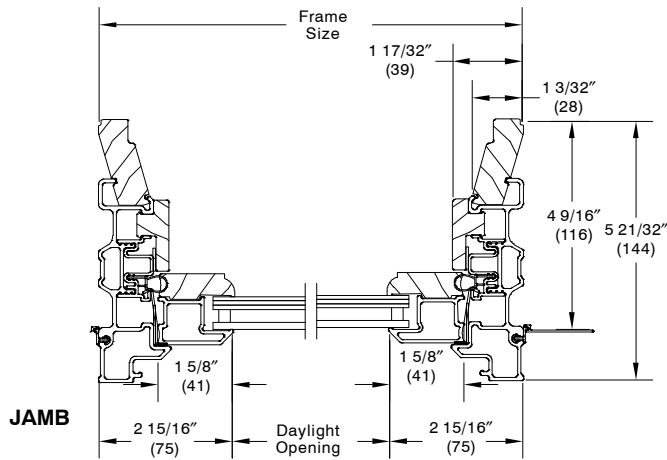
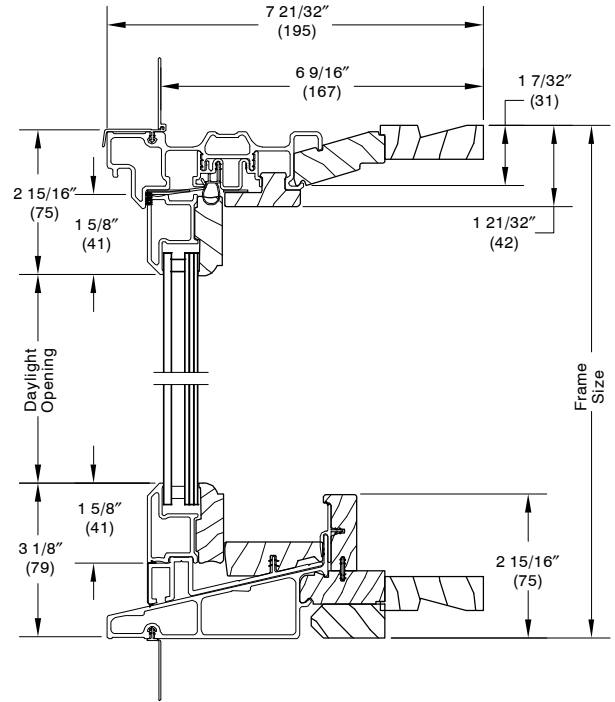
SECTION DETAILS Not to Scale

DOUBLE HUNG - IMPACT UNITS

TRANSOM / PICTURE - 4 9/16"



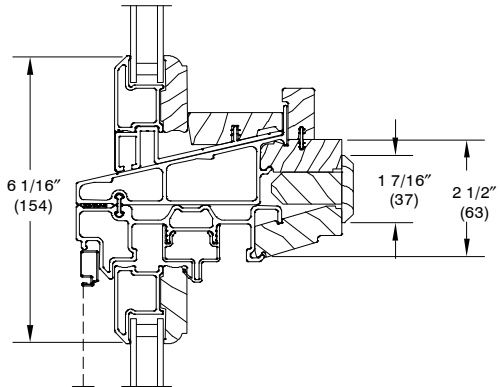
TRANSOM / PICTURE - 6 9/16"



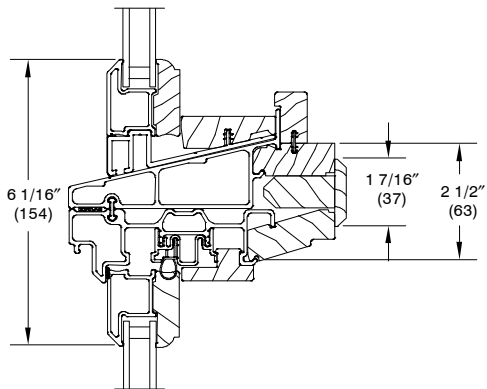
NOTE: CE Mark not available High Performance or Impact Products

SECTION DETAILS – MULLIONS SCALE: 3" = 1'0"

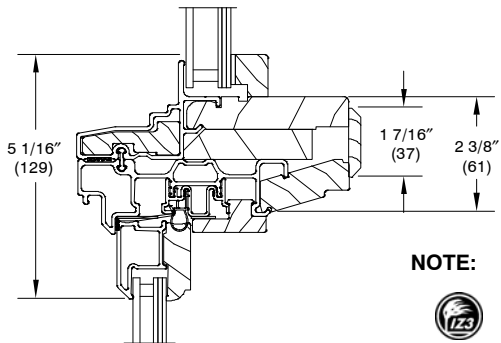
MULLIONS



**HORIZONTAL TRANSOM
OVER OPERATING UNIT**



**HORIZONTAL TRANSOM
OVER PICTURE UNIT**

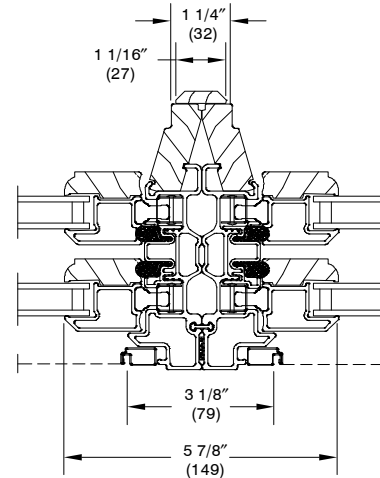


**HORIZONTAL DG TRANSOM
OVER PICTURE UNIT - IMPACT**

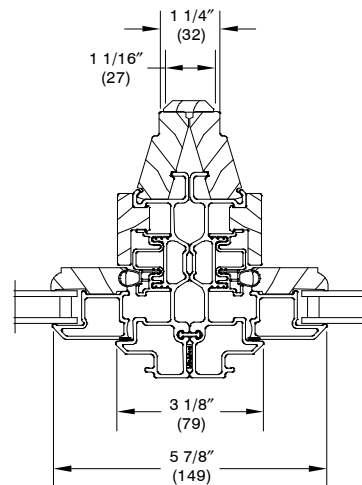


NOTE: Logo represents units that are certified for Impact glazing with a wind zone 3

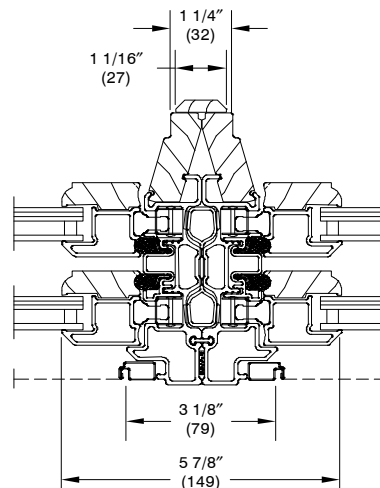
NOTE: CE Mark not available on mullied or Impact Products



VERTICAL DOUBLE HUNG UNITS 2 WIDE



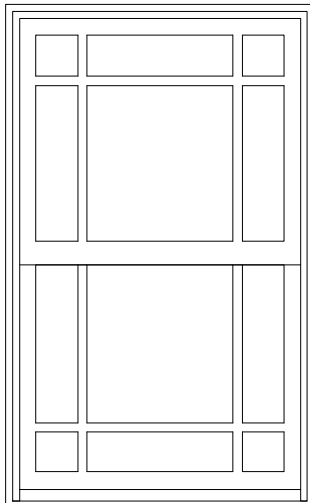
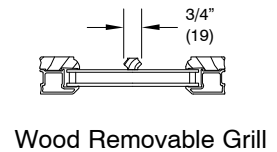
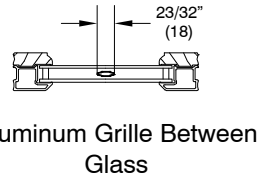
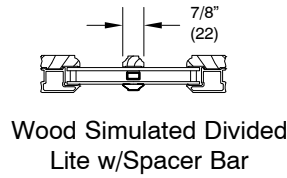
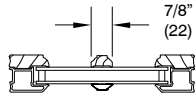
VERTICAL PICTURE UNIT 2 WIDE



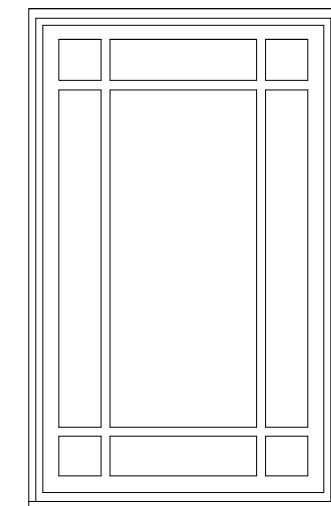
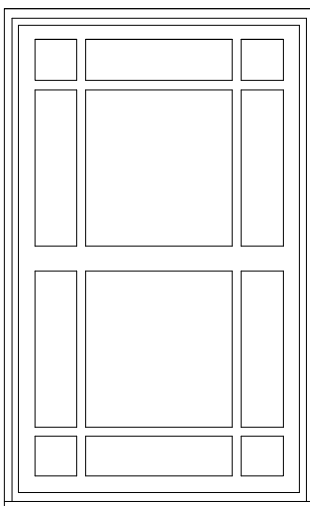
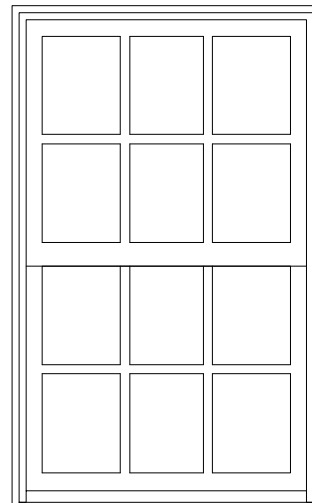
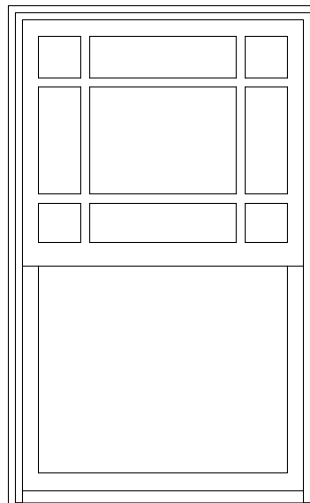
**VERTICAL DOUBLE HUNG UNITS
2 WIDE - IMPACT**

DIVIDED LITE OPTIONS Not to Scale

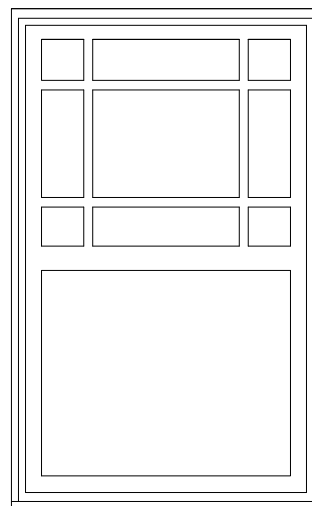
DIVIDED LITE OPTIONS



* Optional 6 lite Prairie cut for GBG or SDL.



* Optional 9 lite Prairie cut for GBG or SDL.



NOTE: Direct Glaze Round Top with Wood Grilles, GBG, or SDL will only align with the default lite cut of the unit it is intended to be mulled with.

NOTE: 4" (102) DLO lite cut minimum for 7/8" (22) pattern

AVAILABLE DIVIDED LITE PATTERNS

Double Hung Divided Lite Options - Per Sash								
CN	Width							
	22		26		30		32	
Height	Rect Default/ Optional	Prairie Optional	Rect Default/ Optional	Prairie Optional	Rect Default/ Optional	Prairie Optional	Rect Default/ Optional	Prairie Optional
36	2W2H 2W1H	6-Lite	3W2H 2W1H 2W2H	6-Lite	3W2H 2W1H 2W2H	6-Lite	3W2H 2W1H 2W2H	6-Lite
40	2W2H 2W1H	6-Lite	3W2H 2W1H 2W2H	6-Lite	3W2H 2W1H 2W2H	6-Lite	3W2H 2W1H 2W2H	6-Lite
44	2W2H 2W1H	6-Lite	3W2H 2W1H 2W2H	6-Lite	3W2H 2W1H 2W2H	6-Lite	3W2H 2W1H 2W2H	6-Lite
48	2W2H 2W1H	6-Lite	3W2H 2W1H 2W2H	6-Lite	3W2H 2W1H 2W2H	6-Lite	3W2H 2W1H 2W2H	6-Lite
52	2W2H 2W1H	6-Lite	3W2H 2W1H 2W2H	6-Lite	3W2H 2W1H 2W2H	6-Lite	3W2H 2W1H 2W2H	6-Lite
56	2W2H 2W1H	6-Lite	3W2H 2W1H 2W2H	6-Lite	3W2H 2W1H 2W2H	6-Lite	3W2H 2W1H 2W2H	6-Lite
60	2W2H 2W1H	6-Lite	3W2H 2W1H 2W2H	6-Lite	3W2H 2W1H 2W2H	6-Lite	3W2H 2W1H 2W2H	6-Lite
64	2W2H 2W1H	6-Lite	3W2H 2W1H 2W2H	6-Lite	3W2H 2W1H 2W2H	6-Lite	3W2H 2W1H 2W2H	6-Lite
68	2W2H 2W1H	6-Lite	3W2H 2W1H 2W2H	6-Lite	3W2H 2W1H 2W2H	6-Lite	3W2H 2W1H 2W2H	6-Lite
72	2W3H 2W1H 2W2H	6-Lite	3W3H 2W1H 2W2H	6-Lite	3W3H 2W1H 2W2H	6-Lite	3W3H 2W1H 2W2H	6-Lite
76	2W3H 2W1H 2W2H	6-Lite	3W3H 2W1H 2W2H	6-Lite	3W3H 2W1H 2W2H	6-Lite	3W3H 2W1H 2W2H	6-Lite

AVAILABLE DIVIDED LITE PATTERNS

Double Hung Divided Lite Options-Per Sash												
Width												
CN	34		36		38		42		48		54	
Height	Rect Default/Optional	Prairie Optional	Rect Default/Optional	Prairie Optional	Rect Default/Optional	Prairie Optional	Rect Default/Optional	Prairie Optional	Rect Default/Optional	Prairie Optional	Rect Default/Optional	Prairie Optional
36	3W2H 2W1H 2W2H	6-Lite	3W2H 2W1H 2W2H	6-Lite	4W2H 2W1H 2W2H	6-Lite	4W2H 2W1H 2W2H	6-Lite	4W2H 2W1H 2W2H	6-Lite	5W2H 2W1H 2W2H	6-Lite
40	3W2H 2W1H 2W2H	6-Lite	3W2H 2W1H 2W2H	6-Lite	4W2H 2W1H 2W2H	6-Lite	4W2H 2W1H 2W2H	6-Lite	4W2H 2W1H 2W2H	6-Lite	5W2H 2W1H 2W2H	6-Lite
44	3W2H 2W1H 2W2H	6-Lite	3W2H 2W1H 2W2H	6-Lite	4W2H 2W1H 2W2H	6-Lite	4W2H 2W1H 2W2H	6-Lite	4W2H 2W1H 2W2H	6-Lite	5W2H 2W1H 2W2H	6-Lite
48	3W2H 2W1H 2W2H	6-Lite	3W2H 2W1H 2W2H	6-Lite	4W2H 2W1H 2W2H	6-Lite	4W2H 2W1H 2W2H	6-Lite	4W2H 2W1H 2W2H	6-Lite	5W2H 2W1H 2W2H	6-Lite
52	3W2H 2W1H 2W2H	6-Lite	3W2H 2W1H 2W2H	6-Lite	4W2H 2W1H 2W2H	6-Lite	4W2H 2W1H 2W2H	6-Lite	4W2H 2W1H 2W2H	6-Lite	5W2H 2W1H 2W2H	6-Lite
56	3W2H 2W1H 2W2H	6-Lite	3W2H 2W1H 2W2H	6-Lite	4W2H 2W1H 2W2H	6-Lite	4W2H 2W1H 2W2H	6-Lite	4W2H 2W1H 2W2H	6-Lite	5W2H 2W1H 2W2H	6-Lite
60	3W2H 2W1H 2W2H	6-Lite	3W2H 2W1H 2W2H	6-Lite	4W2H 2W1H 2W2H	6-Lite	4W2H 2W1H 2W2H	6-Lite	4W2H 2W1H 2W2H	6-Lite	5W2H 2W1H 2W2H	6-Lite
64	3W2H 2W1H 2W2H	6-Lite	3W2H 2W1H 2W2H	6-Lite	4W2H 2W1H 2W2H	6-Lite	4W2H 2W1H 2W2H	6-Lite	4W2H 2W1H 2W2H	6-Lite	5W2H 2W1H 2W2H	6-Lite
68	3W2H 2W1H 2W2H	6-Lite	3W2H 2W1H 2W2H	6-Lite	4W2H 2W1H 2W2H	6-Lite	4W2H 2W1H 2W2H	6-Lite	4W2H 2W1H 2W2H	6-Lite	5W2H 2W1H 2W2H	6-Lite
72	3W3H 2W1H 2W2H	6-Lite	3W3H 2W1H 2W2H	6-Lite	4W3H 2W1H 2W2H	6-Lite	4W3H 2W1H 2W2H	6-Lite	4W3H 2W1H 2W2H	6-Lite	5W3H 2W1H 2W2H	6-Lite
76	3W3H 2W1H 2W2H	6-Lite	3W3H 2W1H 2W2H	6-Lite	4W3H 2W1H 2W2H	6-Lite	4W3H 2W1H 2W2H	6-Lite	4W3H 2W1H 2W2H	6-Lite	5W3H 2W1H 2W2H	6-Lite

AVAILABLE DIVIDED LITE PATTERNS

Double Hung Cottage Top Sash Divided Lite Options								
CN	Width							
	22		26		30		32	
HEIGHT	Rect Default/ Optional	Prairie Optional	Rect Default/ Optional	Prairie Optional	Rect Default/ Optional	Prairie Optional	Rect Default/ Optional	Prairie Optional
36	3W2H 2W1H 2W2H	6-Lite	3W2H 2W1H 2W2H	6-Lite	3W2H 2W1H 2W2H	6-Lite	3W2H 2W1H 2W2H	6-Lite
40	3W2H 2W1H 2W2H	6-Lite	3W2H 2W1H 2W2H	6-Lite	3W2H 2W1H 2W2H	6-Lite	3W2H 2W1H 2W2H	6-Lite
44	3W2H 2W1H 2W2H	6-Lite	3W2H 2W1H 2W2H	6-Lite	3W2H 2W1H 2W2H	6-Lite	3W2H 2W1H 2W2H	6-Lite
48	3W2H 2W1H 2W2H	6-Lite	3W2H 2W1H 2W2H	6-Lite	3W2H 2W1H 2W2H	6-Lite	3W2H 2W1H 2W2H	6-Lite
52	3W2H 2W1H 2W2H	6-Lite	3W2H 2W1H 2W2H	6-Lite	3W2H 2W1H 2W2H	6-Lite	3W2H 2W1H 2W2H	6-Lite
56	3W2H 2W1H 2W2H	6-Lite	3W2H 2W1H 2W2H	6-Lite	3W2H 2W1H 2W2H	6-Lite	3W2H 2W1H 2W2H	6-Lite
60	3W2H 2W1H 2W2H	6-Lite	3W2H 2W1H 2W2H	6-Lite	3W2H 2W1H 2W2H	6-Lite	3W2H 2W1H 2W2H	6-Lite
64	3W2H 2W1H 2W2H	6-Lite	3W2H 2W1H 2W2H	6-Lite	3W3H 2W1H 2W2H	6-Lite	3W2H 2W1H 2W2H	6-Lite
68	3W2H 2W1H 2W2H	6-Lite	3W2H 2W1H 2W2H	6-Lite	3W2H 2W1H 2W2H	6-Lite	3W2H 2W1H 2W2H	6-Lite

AVAILABLE DIVIDED LITE PATTERNS

Double Hung Cottage Top Sash Divided Lite Options													
HEIGHT	Width												
	34		36		38		42		48		54		
CN	Rect Default/Optional	Prairie Optional	Rect Default/Optional	Prairie Optional	Rect Default/Optional	Prairie Optional	Rect Default/Optional	Prairie Optional	Rect Default/Optional	Prairie Optional	Rect Default/Optional	Prairie Optional	
36	3W2H		3W2H		4W2H		4W2H		5W2H		5W2H		
	2W1H	6-Lite	2W1H	6-Lite	2W1H	6-Lite	2W1H	6-Lite	2W1H	6-Lite	2W1H	6-Lite	
	2W2H		2W2H		2W2H		2W2H		2W2H		2W2H		
40	3W2H		3W2H		4W2H		4W2H		5W2H		5W2H		
	2W1H	6-Lite	2W1H	6-Lite	2W1H	6-Lite	2W1H	6-Lite	2W1H	6-Lite	2W1H	6-Lite	
	2W2H		2W2H		2W2H		2W2H		2W2H		2W2H		
44	3W2H		3W2H		4W2H		4W2H		5W2H		5W2H		
	2W1H	6-Lite	2W1H	6-Lite	2W1H	6-Lite	2W1H	6-Lite	2W1H	6-Lite	2W1H	6-Lite	
	2W2H		2W2H		2W2H		2W2H		2W2H		2W2H		
48	3W2H		3W2H		4W2H		4W2H		5W2H		5W2H		
	2W1H	6-Lite	2W1H	6-Lite	2W1H	6-Lite	2W1H	6-Lite	2W1H	6-Lite	2W1H	6-Lite	
	2W2H		2W2H		2W2H		2W2H		2W2H		2W2H		
52	3W2H		3W2H		4W2H		4W2H		5W2H		5W2H		
	2W1H	6-Lite	2W1H	6-Lite	2W1H	6-Lite	2W1H	6-Lite	2W1H	6-Lite	2W1H	6-Lite	
	2W2H		2W2H		2W2H		2W2H		2W2H		2W2H		
56	3W2H		3W2H		4W2H		4W2H		5W2H		5W2H		
	2W1H	6-Lite	2W1H	6-Lite	2W1H	6-Lite	2W1H	6-Lite	2W1H	6-Lite	2W1H	6-Lite	
	2W2H		2W2H		2W2H		2W2H		2W2H		2W2H		
60	3W2H		3W2H		4W2H		4W2H		5W2H		5W2H		
	2W1H	6-Lite	2W1H	6-Lite	2W1H	6-Lite	2W1H	6-Lite	2W1H	6-Lite	2W1H	6-Lite	
	2W2H		2W2H		2W2H		2W2H		2W2H		2W2H		
64	3W2H		3W2H		4W2H		4W2H		5W2H		5W2H		
	2W1H	6-Lite	2W1H	6-Lite	2W1H	6-Lite	2W1H	6-Lite	2W1H	6-Lite	2W1H	6-Lite	
	2W2H		2W2H		2W2H		2W2H		2W2H		2W2H		
68	3W2H		3W2H		4W2H		4W2H		5W2H		5W2H		
	2W1H	6-Lite	2W1H	6-Lite	2W1H	6-Lite	2W1H	6-Lite	2W1H	6-Lite	2W1H	6-Lite	
	2W2H		2W2H		2W2H		2W2H		2W2H		2W2H		

AVAILABLE DIVIDED LITE PATTERNS

Double Hung Cottage Bottom Sash Divided Lite Options								
HEIGHT	Width							
	22		26		30		32	
CN	Rect Default/Optional	Prairie Optional	Rect Default/Optional	Prairie Optional	Rect Default/Optional	Prairie Optional	Rect Default/Optional	Prairie Optional
36	3W3H 2W1H 2W2H	6-Lite	3W3H 2W1H 2W2H	6-Lite	3W3H 2W1H 2W2H	6-Lite	3W3H 2W1H 2W2H	6-Lite
40	3W3H 2W1H 2W2H	6-Lite	3W3H 2W1H 2W2H	6-Lite	3W3H 2W1H 2W2H	6-Lite	3W3H 2W1H 2W2H	6-Lite
44	3W3H 2W1H 2W2H	6-Lite	3W3H 2W1H 2W2H	6-Lite	3W3H 2W1H 2W2H	6-Lite	3W3H 2W1H 2W2H	6-Lite
48	3W3H 2W1H 2W2H	6-Lite	3W3H 2W1H 2W2H	6-Lite	3W3H 2W1H 2W2H	6-Lite	3W3H 2W1H 2W2H	6-Lite
52	3W3H 2W1H 2W2H	6-Lite	3W3H 2W1H 2W2H	6-Lite	3W3H 2W1H 2W2H	6-Lite	3W3H 2W1H 2W2H	6-Lite
56	3W3H 2W1H 2W2H	6-Lite	3W3H 2W1H 2W2H	6-Lite	3W3H 2W1H 2W2H	6-Lite	3W3H 2W1H 2W2H	6-Lite
60	3W3H 2W1H 2W2H	6-Lite	3W3H 2W1H 2W2H	6-Lite	3W3H 2W1H 2W2H	6-Lite	3W3H 2W1H 2W2H	6-Lite
64	3W3H 2W1H 2W2H	6-Lite	3W3H 2W1H 2W2H	6-Lite	3W3H 2W1H 2W2H	6-Lite	3W3H 2W1H 2W2H	6-Lite
68	3W3H 2W1H 2W2H	6-Lite	3W3H 2W1H 2W2H	6-Lite	3W3H 2W1H 2W2H	6-Lite	3W3H 2W1H 2W2H	6-Lite

AVAILABLE DIVIDED LITE PATTERNS

Double Hung Cottage Bottom Sash Divided Lite Options																		
HEIGHT	Width																	
	34			36			38			42			48			54		
CN	Rect Default Optional	Prairie Optional	6-Lite	Rect Default Optional	Prairie Optional	6-Lite	Rect Default Optional	Prairie Optional	6-Lite	Rect Default Optional	Prairie Optional	6-Lite	Rect Default Optional	Prairie Optional	6-Lite	Rect Default Optional	Prairie Optional	6-Lite
36	3W3H 2W1H 2W2H	6-Lite		3W3H 2W1H 2W2H	6-Lite		4W3H 2W1H 2W2H	6-Lite		4W3H 2W1H 2W2H	6-Lite		5W3H 2W1H 2W2H	6-Lite		5W3H 2W1H 2W2H	6-Lite	
40	3W3H 2W1H 2W2H	6-Lite		3W3H 2W1H 2W2H	6-Lite		4W3H 2W1H 2W2H	6-Lite		4W3H 2W1H 2W2H	6-Lite		5W3H 2W1H 2W2H	6-Lite		5W3H 2W1H 2W2H	6-Lite	
44	3W3H 2W1H 2W2H	6-Lite		3W3H 2W1H 2W2H	6-Lite		4W3H 2W1H 2W2H	6-Lite		4W3H 2W1H 2W2H	6-Lite		5W3H 2W1H 2W2H	6-Lite		5W3H 2W1H 2W2H	6-Lite	
48	3W3H 2W1H 2W2H	6-Lite		3W3H 2W1H 2W2H	6-Lite		4W3H 2W1H 2W2H	6-Lite		4W3H 2W1H 2W2H	6-Lite		5W3H 2W1H 2W2H	6-Lite		5W3H 2W1H 2W2H	6-Lite	
52	3W3H 2W1H 2W2H	6-Lite		3W3H 2W1H 2W2H	6-Lite		4W3H 2W1H 2W2H	6-Lite		4W3H 2W1H 2W2H	6-Lite		5W3H 2W1H 2W2H	6-Lite		5W3H 2W1H 2W2H	6-Lite	
56	3W3H 2W1H 2W2H	6-Lite		3W3H 2W1H 2W2H	6-Lite		4W3H 2W1H 2W2H	6-Lite		4W3H 2W1H 2W2H	6-Lite		5W3H 2W1H 2W2H	6-Lite		5W3H 2W1H 2W2H	6-Lite	
60	3W3H 2W1H 2W2H	6-Lite		3W3H 2W1H 2W2H	6-Lite		4W3H 2W1H 2W2H	6-Lite		4W3H 2W1H 2W2H	6-Lite		5W3H 2W1H 2W2H	6-Lite		5W3H 2W1H 2W2H	6-Lite	
64	3W3H 2W1H 2W2H	6-Lite		3W3H 2W1H 2W2H	6-Lite		4W3H 2W1H 2W2H	6-Lite		4W3H 2W1H 2W2H	6-Lite		5W3H 2W1H 2W2H	6-Lite		5W3H 2W1H 2W2H	6-Lite	
68	3W3H 2W1H 2W2H	6-Lite		3W3H 2W1H 2W2H	6-Lite		4W3H 2W1H 2W2H	6-Lite		4W3H 2W1H 2W2H	6-Lite		5W3H 2W1H 2W2H	6-Lite		5W3H 2W1H 2W2H	6-Lite	

AVAILABLE DIVIDED LITE PATTERNS

Double Hung Transom Divided Lite Options											
CN	Width										
	22		26		30		32		34		
Height	Rect Default/Optional	Prairie Optional	Rect Default/Optional	Prairie Optional	Rect Default/Optional	Prairie Optional	Rect Default/Optional	Prairie Optional	Rect Default/Optional	Prairie Optional	
16	2W1H	N/A	3W1H 2W1H	N/A	3W1H 2W1H	N/A	3W1H 2W1H	N/A	3W1H 2W1H	N/A	
24	2W2H 2W1H	N/A	3W2H 2W1H	N/A	3W2H 2W1H	N/A	3W2H 2W1H	N/A	3W2H 2W1H	N/A	

Double Hung Transom Divided Lite Options															
CN	Width														
	36		38		42		48		50		54		62		
Height	Rect Default/Optional	Prairie Optional	Rect Default/Optional	Prairie Optional	Rect Default/Optional	Prairie Optional	Rect Default/Optional	Prairie Optional	Rect Default/Optional	Prairie Optional	Rect Default/Optional	Prairie Optional	Rect Default/Optional	Prairie Optional	
16	3W1H 2W1H	NA	4W1H 2W1H	NA	4W1H 2W1H	NA	4W1H 2W1H	NA	5W1H 2W1H	NA	5W1H 2W1H	NA	6W1H 2W1H	NA	
24	3W1H 2W1H	NA	4W2H 2W1H	NA	4W2H 2W1H	NA	4W2H 2W1H	NA	5W2H 2W1H	NA	5W2H 2W1H	NA	6W2H 2W1H	NA	

AVAILABLE DIVIDED LITE PATTERNS

Double Hung Picture Divided Lite Options												
CN	Width											
	22		26		30		32		34		36	
Height	Rect Default/Optional	Prairie Optional	Rect Default/Optional	Prairie Optional	Rect Default/Optional	Prairie Optional	Rect Default/Optional	Prairie Optional	Rect Default/Optional	Prairie Optional	Rect Default/Optional	Prairie Optional
24	2W2H	9-Lite	3W2H	9-Lite	3W2H	9-Lite	3W2H	9-Lite	3W2H	9-Lite	3W2H	9-Lite
36	2W4H	9-Lite	3W4H	9-Lite	3W4H	9-Lite	3W4H	9-Lite	3W4H	9-Lite	3W4H	9-Lite
40	2W4H	9-Lite	3W4H	9-Lite	3W4H	9-Lite	3W4H	9-Lite	3W4H	9-Lite	3W4H	9-Lite
44	2W4H	9-Lite	3W4H	9-Lite	3W4H	9-Lite	3W4H	9-Lite	3W4H	9-Lite	3W4H	9-Lite
48	2W4H	9-Lite	3W4H	9-Lite	3W4H	9-Lite	3W4H	9-Lite	3W4H	9-Lite	3W4H	9-Lite
52	2W4H	9-Lite	3W4H	9-Lite	3W4H	9-Lite	3W4H	9-Lite	3W4H	9-Lite	3W4H	9-Lite
56	2W4H	9-Lite	3W4H	9-Lite	3W4H	9-Lite	3W4H	9-Lite	3W4H	9-Lite	3W4H	9-Lite
60	2W4H	9-Lite	3W4H	9-Lite	3W4H	9-Lite	3W4H	9-Lite	3W4H	9-Lite	3W4H	9-Lite
64	2W4H	9-Lite	3W4H	9-Lite	3W4H	9-Lite	3W4H	9-Lite	3W4H	9-Lite	3W4H	9-Lite
68	2W4H 2W5H	9-Lite	3W4H 3W5H	9-Lite	3W4H 3W5H	9-Lite	3W4H 3W5H	9-Lite	3W4H 3W5H	9-Lite	3W4H 3W5H	9-Lite
72	2W6H	9-Lite	3W6H	9-Lite	3W6H	9-Lite	3W6H	9-Lite	3W6H	9-Lite	3W6H	9-Lite
76	2W6H	9-Lite	3W6H	9-Lite	3W6H	9-Lite	3W6H	9-Lite	3W6H	9-Lite	3W6H	9-Lite

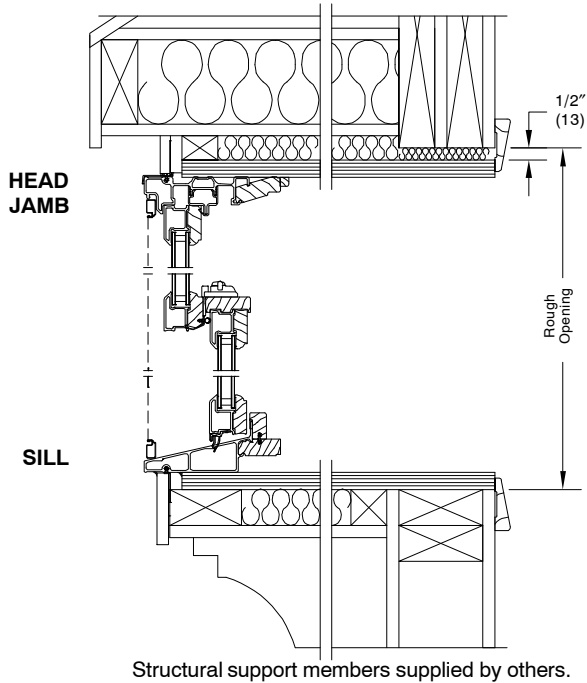
AVAILABLE DIVIDED LITE PATTERNS

Double Hung Picture Divided Lite Options												
CN	Width											
	38		42		48		50		54		62	
Height	Rect Default/ Optional	Prairie Optional	Rect Default/ Optional	Prairie Optional	Rect Default/ Optional	Prairie Optional	Rect Default/ Optional	Prairie Optional	Rect Default/ Optional	Prairie Optional	Rect Default/ Optional	Prairie Optional
24	4W2H	9-Lite	4W2H	9-Lite	4W2H	9-Lite	5W2H	9-Lite	5W2H	9-Lite	6W2H	9-Lite
36	4W4H	9-Lite	4W4H	9-Lite	4W4H	9-Lite	5W4H	9-Lite	5W4H	9-Lite	6W4H	9-Lite
40	4W4H	9-Lite	4W2H	9-Lite	4W4H	9-Lite	5W4H	9-Lite	5W4H	9-Lite	6W4H	9-Lite
44	4W4H	9-Lite	4W4H	9-Lite	4W4H	9-Lite	5W4H	9-Lite	5W4H	9-Lite	6W4H	9-Lite
48	4W4H	9-Lite	4W2H	9-Lite	4W4H	9-Lite	5W4H	9-Lite	5W4H	9-Lite	6W4H	9-Lite
52	4W4H	9-Lite	4W4H	9-Lite	4W4H	9-Lite	5W4H	9-Lite	5W4H	9-Lite	6W4H	9-Lite
46	4W4H	9-Lite	4W2H	9-Lite	4W4H	9-Lite	5W4H	9-Lite	5W4H	9-Lite	6W4H	9-Lite
60	4W4H	9-Lite	4W4H	9-Lite	4W4H	9-Lite	5W4H	9-Lite	5W4H	9-Lite	6W4H	9-Lite
64	4W4H	9-Lite	4W2H	9-Lite	4W4H	9-Lite	5W4H	9-Lite	5W4H 5W5H	9-Lite	6W4H	9-Lite
68	4W4H 4W5H	9-Lite	4W4H 4W5H	9-Lite	4W4H	9-Lite	5W4H 5W5H	9-Lite	5W4H	9-Lite	N/A	N/A
72	4W4H	9-Lite	4W6H	9-Lite	4W6H	9-Lite	5W6H	9-Lite	5W6H	9-Lite	N/A	N/A
76	4W4H	9-Lite	4W6H	9-Lite	4W6H	9-Lite	5W6H	9-Lite	5W6H	9-Lite	N/A	N/A

Integrity WOOD-ULTREX DOUBLE HUNG BAY

from MARVIN
Windows and Doors

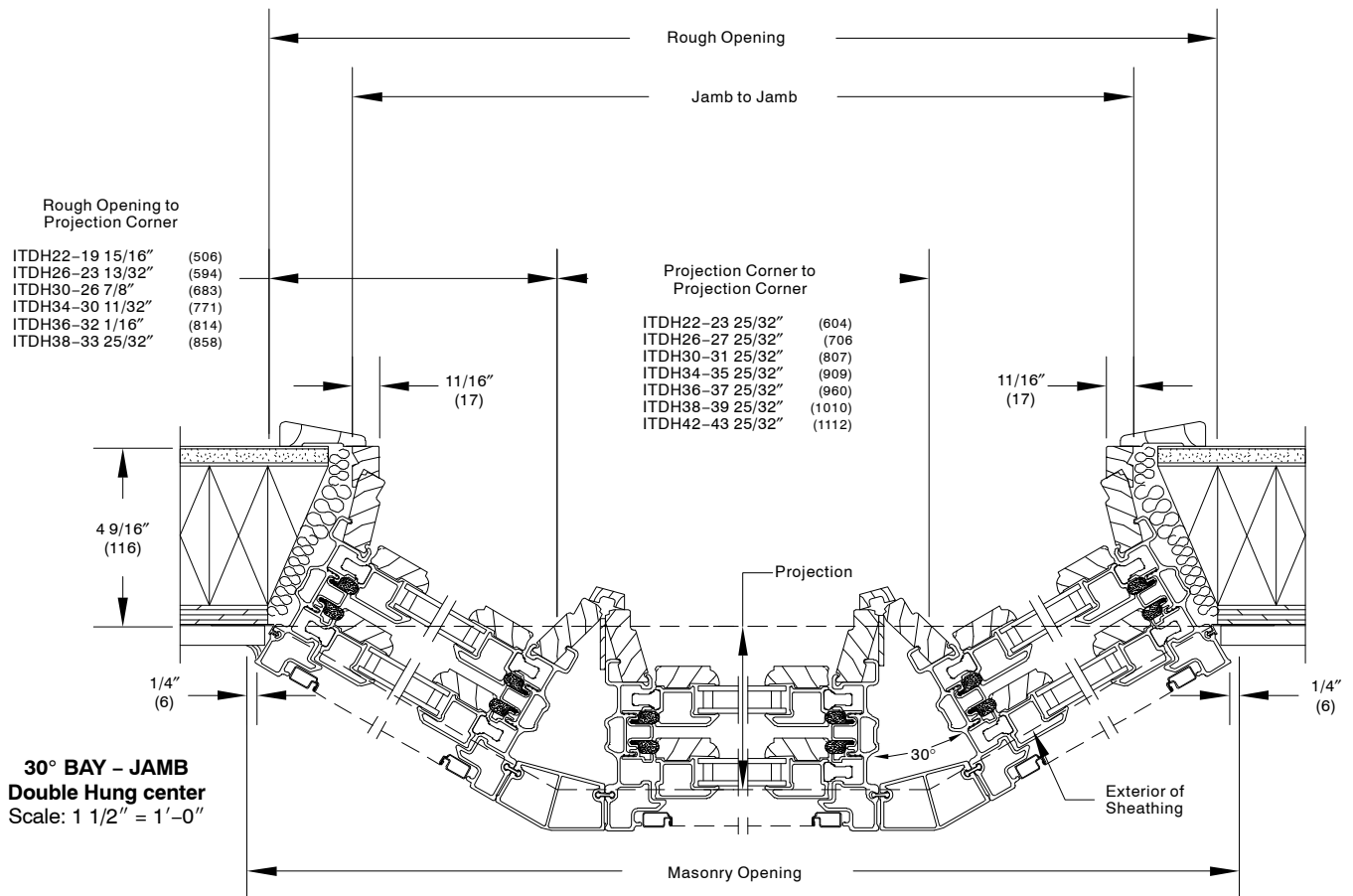
30° BAY UNIT Scale 1 1/2" = 1' 0"



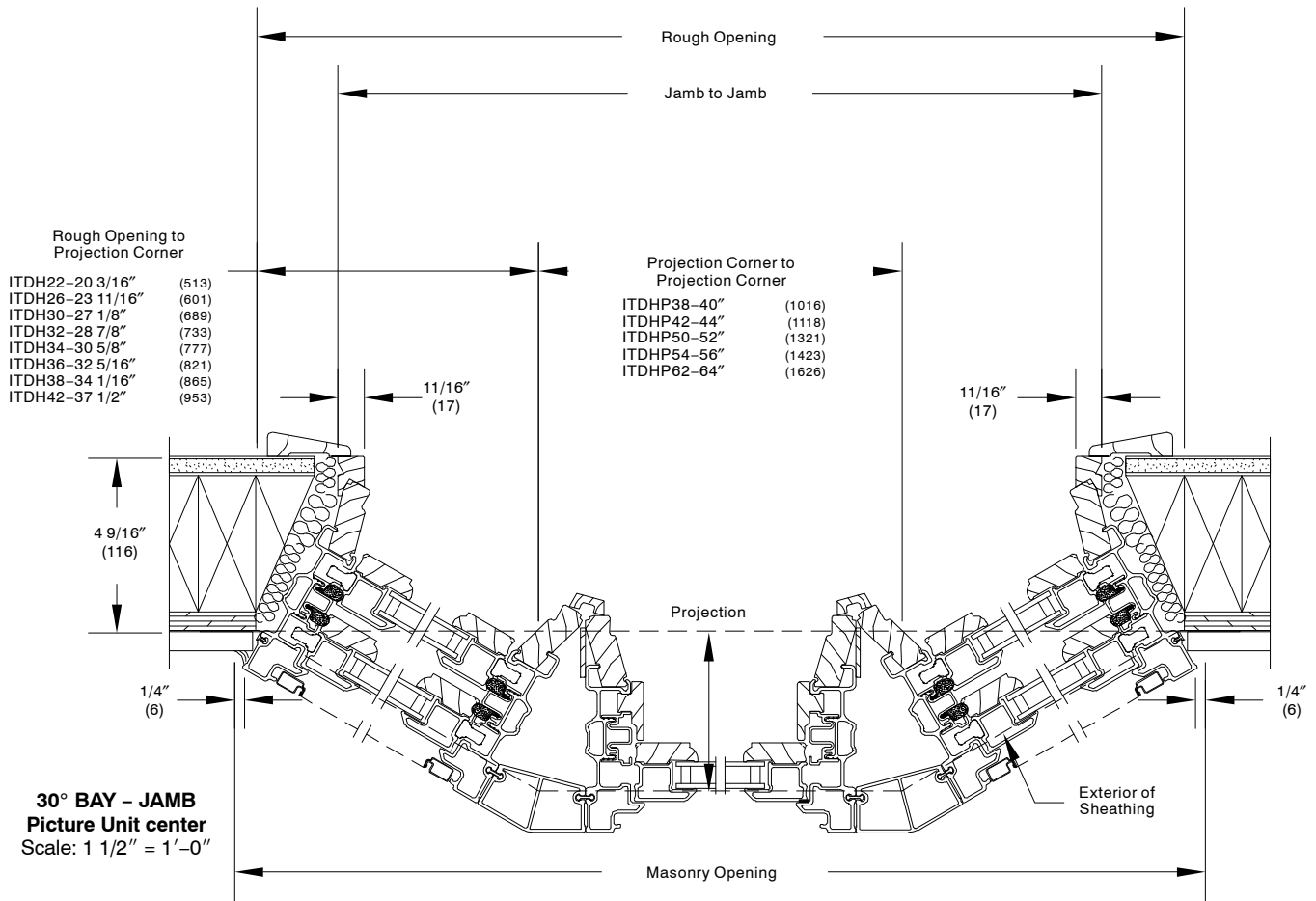
Double Hung Bay / Bow Height Dimensions					
CN		MO Height		RO Height	
Operable	Picture	ft-in	mm	ft-in	mm
24	N/A	2-1 7/16	(646)	2-1 11/16	(652)
36	N/A	3-1 7/16	(951)	3-1 11/16	(957)
40	40	3-5 7/16	(1053)	3-5 11/16	(1059)
44	44	3-9 7/16	(1154)	3-9 11/16	(1160)
48	48	4-1 7/16	(1256)	4-1 11/16	(1262)
52	52	4-5 7/16	(1357)	4-5 11/16	(1364)
56	56	4-9 7/16	(1459)	4-9 11/16	(1465)
60	60	5-1 7/16	(1561)	5-1 11/16	(1567)
64	64	5-5 7/16	(1662)	5-5 11/16	(1668)
68	68	5-9 7/16	(1764)	5-9 11/16	(1770)
72	N/A	6-1 7/16	(1865)	6-1 11/16	(1872)
76	N/A	6-5 7/16	(1967)	6-5 11/16	(1973)

NOTE: Impact glazed units are not available in Bay configurations.

NOTE: CE units are not available in Bay configurations.



30° BAY UNITS Scale 1 1/2" = 1' 0"



- NOTE: Factory assembled bay units include head and seat boards.
- NOTE: Structural support members and interior trim supplied by others.
- NOTE: Impact glazed units are not available in Bay configurations.
- NOTE: CE units are not available in Bay configurations.

30° BAY UNITS – WIDTH DIMENSIONS

30 Degree Double Hung Bay – Width Dimensions								
Unit #	MO Width		RO Width		Jamb to Jamb		Projection	
	ft-in	mm	ft-in	mm	ft-in	mm	ft-in	mm
22 Wide Units								
22-22-22	5-5	(1650)	5-4 7/16	(1636)	4-11 7/16	(1510)	0-11 3/8	(289)
22-26-22	5-9	(1752)	5-8 7/16	(1738)	5-3 7/16	(1612)	0-11 3/8	(289)
22-30-22	6-1	(1854)	6-0 7/16	(1839)	5-7 7/16	(1714)	0-11 3/8	(289)
22-32-22	6-3	(1904)	6-2 7/16	(1890)	5-9 7/16	(1764)	0-11 3/8	(289)
22-34-22	6-5	(1955)	6-4 7/16	(1941)	5-11 7/16	(1815)	0-11 3/8	(289)
22-36-22	6-7	(2006)	6-6 7/16	(1992)	6-1 7/16	(1866)	0-11 3/8	(289)
22-38-22	6-9	(2057)	6-8 7/16	(2043)	6-3 7/16	(1917)	0-11 3/8	(289)
22-42-22	7-1	(2158)	7-0 7/16	(2144)	6-7 7/16	(2018)	0-11 3/8	(289)
22-50-22	7-9	(2362)	7-8 7/16	(2347)	7-3 7/16	(2222)	0-11 3/8	(289)
22-54-22	8-1	(2463)	8-0 7/16	(2449)	7-7 7/16	(2323)	0-11 3/8	(289)
22-62-22	8-9	(2666)	8-8 7/16	(2652)	8-3 7/16	(2526)	0-11 3/8	(289)
26 Wide Units								
26-22-26	5-11 15/16	(1826)	5-11 3/8	(1812)	5-6 3/8	(1686)	1-1 3/8	(340)
26-26-26	6-3 15/16	(1928)	6-3 3/8	(1914)	5-10 3/8	(1788)	1-1 3/8	(340)
26-30-26	6-7 15/16	(2030)	6-7 3/8	(2015)	6-2 3/8	(1890)	1-1 3/8	(340)
26-32-26	6-9 15/16	(2080)	6-9 3/8	(2066)	6-4 3/8	(1940)	1-1 3/8	(340)
26-34-26	6-11 15/16	(2131)	6-11 3/8	(2117)	6-6 3/8	(1991)	1-1 3/8	(340)
26-36-26	7-1 15/16	(2182)	7-1 3/8	(2168)	6-8 3/8	(2042)	1-1 3/8	(340)
26-38-26	7-3 15/16	(2233)	7-3 3/8	(2219)	6-10 3/8	(2093)	1-1 3/8	(340)
26-42-26	7-7 15/16	(2334)	7-7 3/8	(2320)	7-2 3/8	(2194)	1-1 3/8	(340)
26-50-26	8-3 15/16	(2538)	8-3 3/8	(2523)	7-10 3/8	(2398)	1-1 3/8	(340)
26-54-26	8-7 15/16	(2639)	8-7 3/8	(2625)	8-2 3/8	(2499)	1-1 3/8	(340)
26-62-26	9-3 15/16	(2842)	9-3 3/8	(2828)	8-10 3/8	(2702)	1-1 3/8	(340)
30 Wide Units								
30-22-30	6-6 13/16	(2002)	6-6 1/4	(1988)	6-1 5/16	(1862)	1-3 3/8	(391)
30-26-30	6-10 13/16	(2104)	6-10 1/4	(2090)	6-5 5/16	(1964)	1-3 3/8	(391)
30-30-30	7-2 13/16	(2206)	7-2 1/4	(2191)	6-9 5/16	(2066)	1-3 3/8	(391)
30-32-30	7-4 13/16	(2256)	7-4 1/4	(2242)	6-11 5/16	(2116)	1-3 3/8	(391)
30-34-30	7-6 13/16	(2307)	7-6 1/4	(2293)	7-1 5/16	(2167)	1-3 3/8	(391)
30-36-30	7-8 13/16	(2358)	7-8 1/4	(2344)	7-3 5/16	(2218)	1-3 3/8	(391)
30-38-30	7-10 13/16	(2409)	7-10 1/4	(2395)	7-5 5/16	(2269)	1-3 3/8	(391)
30-42-30	8-2 13/16	(2510)	8-2 1/4	(2496)	7-9 5/16	(2370)	1-3 3/8	(391)
30-50-30	8-10 13/16	(2714)	8-10 1/4	(2699)	8-5 5/16	(2574)	1-3 3/8	(391)
30-54-30	9-2 13/16	(2815)	9-2 1/4	(2801)	8-9 5/16	(2675)	1-3 3/8	(391)

30° BAY UNITS – WIDTH DIMENSIONS

30 Degree Double Hung Bay – Width Dimensions								
Unit #	MO Width		RO Width		Jamb to Jamb		Projection	
	ft-in	mm	ft-in	mm	ft-in	mm	ft-in	mm
32 Wide Units								
32-22-32	6-10 5/16	(2090)	6-9 3/4	(2076)	6-4 13/16	(1950)	1-4 3/8	(416)
32-26-32	7-2 5/16	(2192)	7-1 3/4	(2178)	6-8 13/16	(2052)	1-4 3/8	(416)
32-30-32	7-6 5/16	(2294)	7-5 3/4	(2279)	7-0 13/16	(2153)	1-4 3/8	(416)
32-32-32	7-8 5/16	(2344)	7-7 3/4	(2330)	7-2 13/16	(2204)	1-4 3/8	(416)
32-34-32	7-10 5/16	(2395)	7-9 3/4	(2381)	7-4 13/16	(2255)	1-4 3/8	(416)
32-36-32	8-0 5/16	(2446)	7-11 3/4	(2432)	7-6 13/16	(2306)	1-4 3/8	(416)
32-38-32	8-2 5/16	(2497)	8-1 3/4	(2483)	7-8 13/16	(2357)	1-4 3/8	(416)
32-42-32	8-6 5/16	(2598)	8-5 3/4	(2584)	8-0 13/16	(2458)	1-4 3/8	(416)
32-50-32	9-2 5/16	(2802)	9-1 3/4	(2787)	8-8 13/16	(2661)	1-4 3/8	(416)
34 Wide Units								
34-22-34	7-1 3/4	(2178)	7-1 3/16	(2164)	6-8 1/4	(2038)	1-5 3/8	(441)
34-26-34	7-5 3/4	(2280)	7-5 3/16	(2266)	7-0 1/4	(2140)	1-5 3/8	(441)
34-30-34	7-9 3/4	(2382)	7-9 3/16	(2367)	7-4 1/4	(2241)	1-5 3/8	(441)
34-32-34	7-11 3/4	(2432)	7-11 3/16	(2418)	7-6 1/4	(2292)	1-5 3/8	(441)
34-34-34	8-1 3/4	(2483)	8-1 3/16	(2469)	7-8 1/4	(2343)	1-5 3/8	(441)
34-36-34	8-3 3/4	(2534)	8-3 3/16	(2519)	7-10 1/4	(2394)	1-5 3/8	(441)
34-38-34	8-5 3/4	(2585)	8-5 3/16	(2571)	8-0 1/4	(2445)	1-5 3/8	(441)
34-42-34	8-9 3/4	(2686)	8-9 3/16	(2672)	8-4 1/4	(2546)	1-5 3/8	(441)
34-50-34	9-5 3/4	(2890)	9-5 3/16	(2875)	9-0 1/4	(2749)	1-5 3/8	(441)
36 Wide Units								
36-22-36	7-5 1/4	(2266)	7-4 11/16	(2252)	6-11 11/16	(2126)	1-6 3/8	(467)
36-26-36	7-9 1/4	(2368)	7-8 11/16	(2354)	7-3 11/16	(2228)	1-6 3/8	(467)
36-30-36	8-1 1/4	(2470)	8-0 11/16	(2455)	7-7 11/16	(2329)	1-6 3/8	(467)
36-32-36	8-3 1/4	(2520)	8-2 11/16	(2506)	7-9 11/16	(2380)	1-6 3/8	(467)
36-34-36	8-5 1/4	(2571)	8-4 11/16	(2557)	7-11 11/16	(2431)	1-6 3/8	(467)
36-36-36	8-7 1/4	(2622)	8-6 11/16	(2608)	8-1 11/16	(2482)	1-6 3/8	(467)
36-38-36	8-9 1/4	(2673)	8-8 11/16	(2659)	8-3 11/16	(2533)	1-6 3/8	(467)
36-42-36	9-1 1/4	(2774)	9-0 11/16	(2760)	8-7 11/16	(2634)	1-6 3/8	(467)

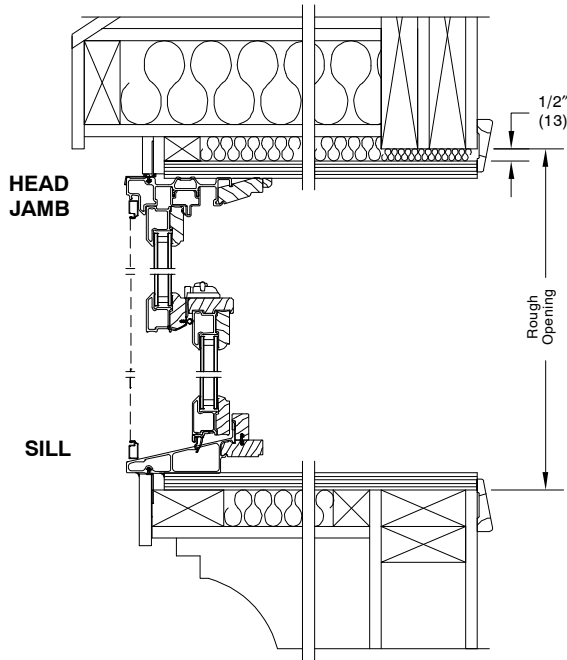
NOTE: White interior finish on head and seat board is available at no additional charge for factory mulled bay assemblies only.

30° BAY UNITS – WIDTH DIMENSIONS

30 Degree Double Hung Bay – Width Dimensions								
Unit #	MO Width		RO Width		Jamb to Jamb		Projection	
	ft-in	mm	ft-in	mm	ft-in	mm	ft-in	mm
38 Wide Units								
38-22-38	7-8 11/16	(2354)	7-8 1/8	(2340)	7-3 3/16	(2214)	1-7 3/8	(492)
38-26-38	8-0 11/16	(2456)	8-0 1/8	(2442)	7-7 3/16	(2316)	1-7 3/8	(492)
38-30-38	8-4 11/16	(2558)	8-4 1/8	(2543)	7-11 3/16	(2417)	1-7 3/8	(492)
38-32-38	8-6 11/16	(2608)	8-6 1/8	(2594)	8-1 3/16	(2468)	1-7 3/8	(492)
38-34-38	8-8 11/16	(2659)	8-8 1/8	(2645)	8-3 3/16	(2519)	1-7 3/8	(492)
38-36-38	8-10 11/16	(2710)	8-10 1/8	(2696)	8-5 3/16	(2570)	1-7 3/8	(492)
38-38-38	9-0 11/16	(2761)	9-0 1/8	(2747)	8-7 3/16	(2621)	1-7 3/8	(492)
38-42-38	9-4 11/16	(2862)	9-4 1/8	(2848)	8-11 3/16	(2722)	1-7 3/8	(492)
42 Wide Units								
42-22-42	8-3 5/8	(2530)	8-3 1/16	(2516)	7-10 1/8	(2390)	1-9 3/8	(543)
42-26-42	8-7 5/8	(2632)	8-7 1/16	(2618)	8-2 1/8	(2492)	1-9 3/8	(543)
42-30-42	8-11 5/8	(2734)	8-11 1/16	(2719)	8-6 1/8	(2593)	1-9 3/8	(543)
42-32-42	9-1 5/8	(2784)	9-1 1/16	(2770)	8-8 1/8	(2644)	1-9 3/8	(543)
42-34-42	9-3 5/8	(2835)	9-3 1/16	(2821)	8-10 1/8	(2695)	1-9 3/8	(543)
42-36-42	9-5 5/8	(2886)	9-5 1/16	(2872)	9-0 1/8	(2746)	1-9 3/8	(543)
42-38-42	9-7 5/8	(2937)	9-7 1/16	(2923)	9-2 1/8	(2797)	1-9 3/8	(543)

NOTE: White interior finish on head and seat board is available at no additional charge for factory mulled bay assemblies only.

45° BAY UNITS Scale 1 1/2" = 1' 0"

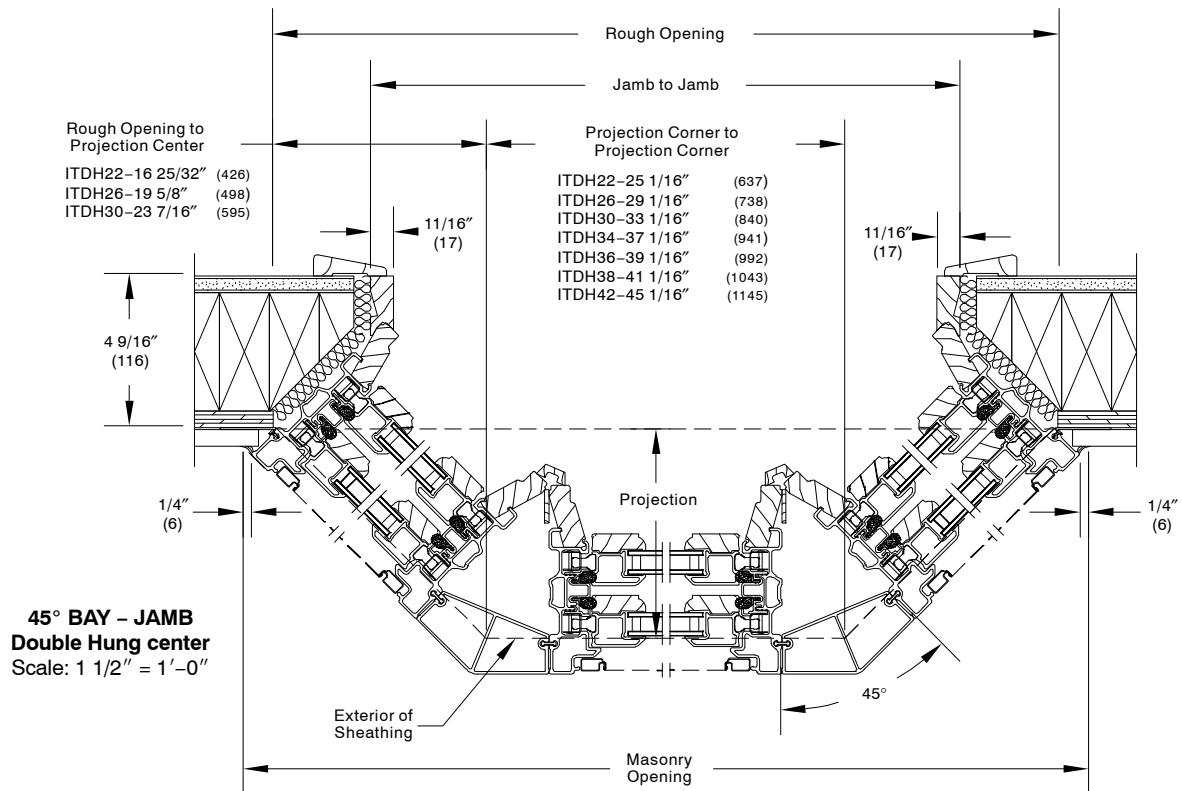


Structural support members supplied by others.

Double Hung Bay / Bow Height Dimensions					
CN		MO Height		RO Height	
Operable	Picture	ft-in	mm	ft-in	mm
24	N/A	2-1 7/16	(646)	2-1 11/16	(652)
36	N/A	3-1 7/16	(951)	3-1 11/16	(957)
40	40	3-5 7/16	(1053)	3-5 11/16	(1059)
44	44	3-9 7/16	(1154)	3-9 11/16	(1160)
48	48	4-1 7/16	(1256)	4-1 11/16	(1262)
52	52	4-5 7/16	(1357)	4-5 11/16	(1364)
56	56	4-9 7/16	(1459)	4-9 11/16	(1465)
60	60	5-1 7/16	(1561)	5-1 11/16	(1567)
64	64	5-5 7/16	(1662)	5-5 11/16	(1668)
68	68	5-9 7/16	(1764)	5-9 11/16	(1770)
72	N/A	6-1 7/16	(1865)	6-1 11/16	(1872)
76	N/A	6-5 7/16	(1967)	6-5 11/16	(1973)

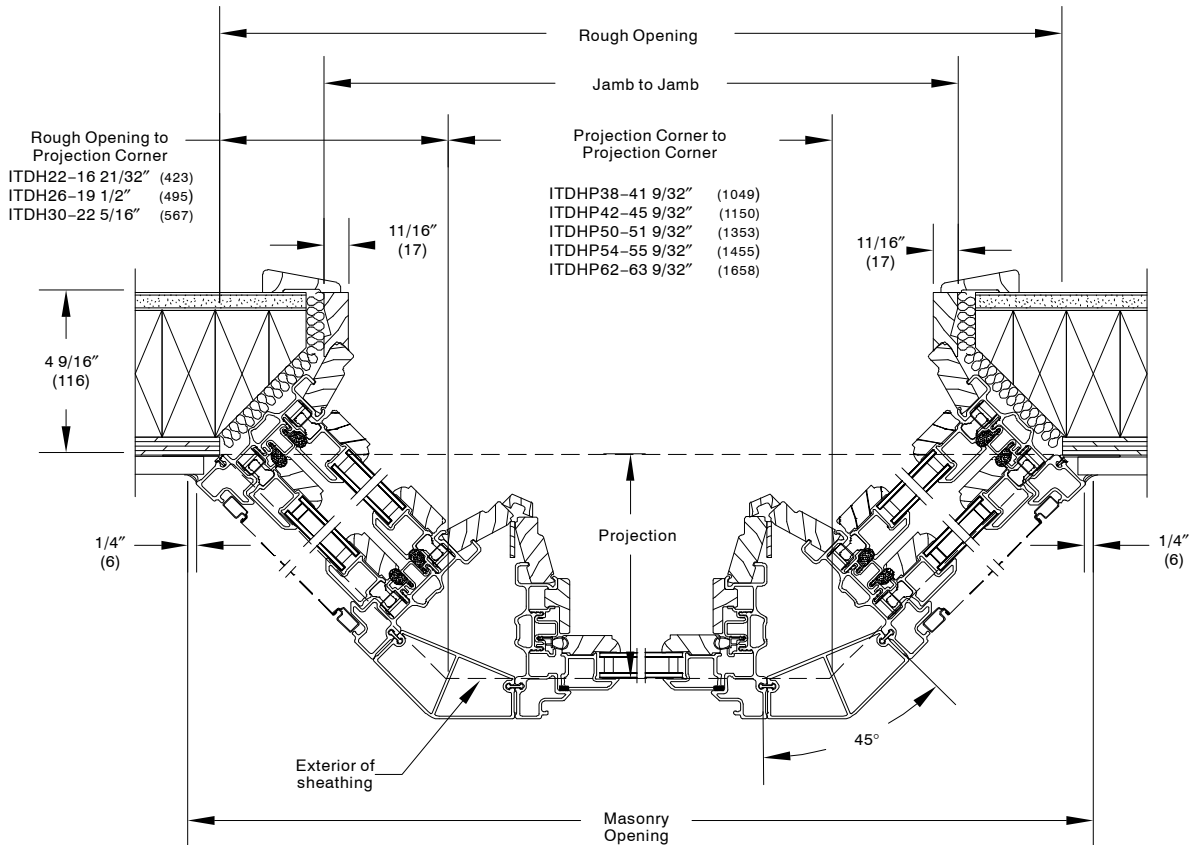
NOTE: Impact glazed units are not available in Bay configurations.

NOTE: CE units are not available in Bay configurations.



45° BAY - JAMB
Double Hung center
Scale: 1 1/2" = 1'-0"

45° BAY UNITS Scale 1 1/2" = 1' 0"



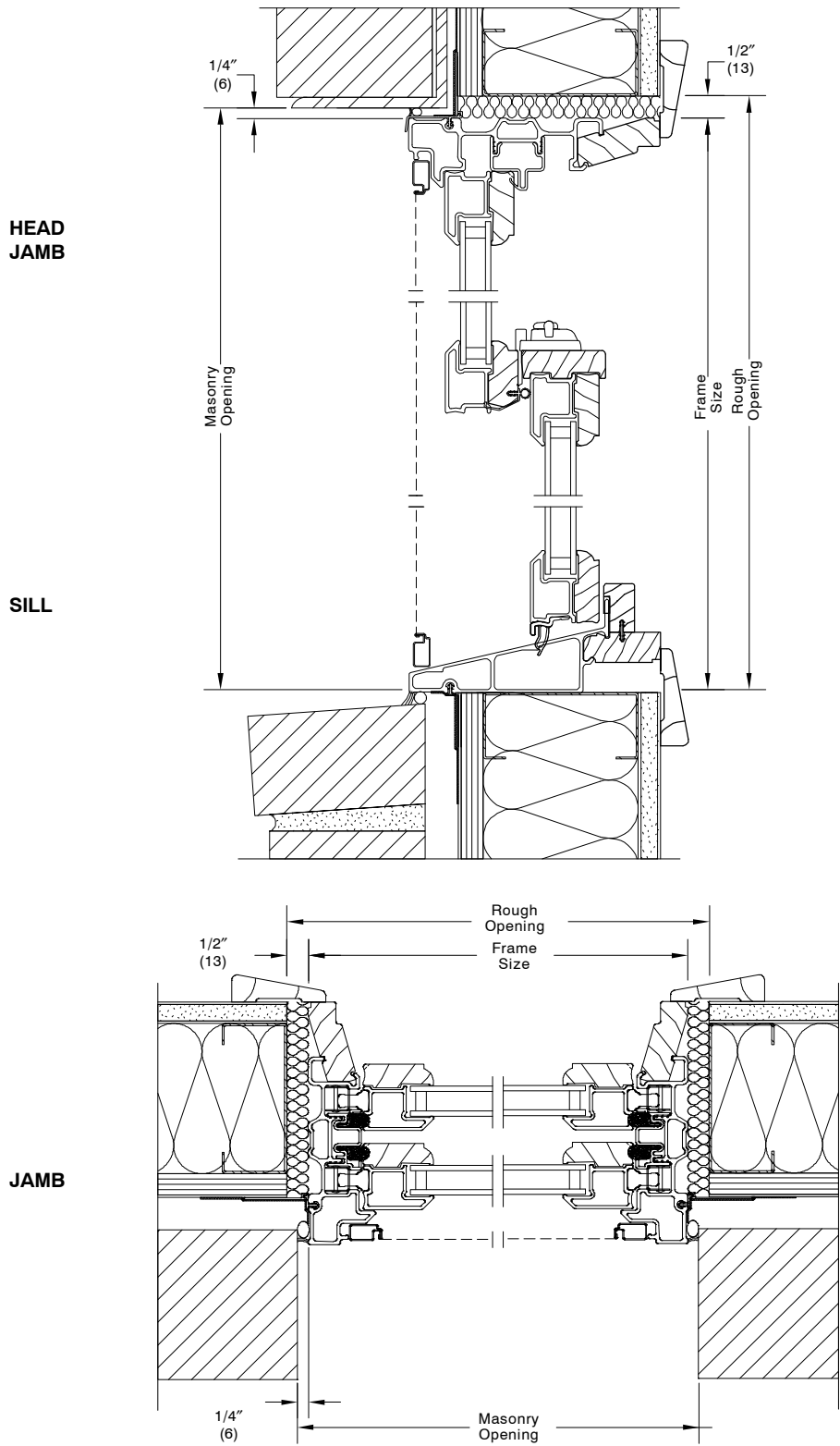
45° BAY - JAMB
Picture unit center
Scale: 1 1/2" = 1'-0"

- NOTE: Factory assembled bay units include head and seat boards.
- NOTE: Structural support members and interior trim supplied by others.
- NOTE: Impact glazed units are not available in Bay configurations.
- NOTE: CE units are not available in Bay configurations.

45° BAY UNITS – WIDTH DIMENSIONS

45 Degree Double Hung Bay – Width Dimensions								
Unit #	MO Width		RO Width		Jamb to Jamb		Projection	
	ft-in	mm	ft-in	mm	ft-in	mm	ft-in	mm
22 Wide Units								
22-22-22	5-0 7/16	(1536)	4-11 7/16	(1510)	4-4 13/16	(1342)	1-4 9/16	(421)
22-26-22	5-4 7/16	(1637)	5-3 7/16	(1612)	4-8 13/16	(1443)	1-4 9/16	(421)
22-30-22	5-8 7/16	(1739)	5-7 7/16	(1713)	5-0 13/16	(1545)	1-4 9/16	(421)
22-32-22	5-10 7/16	(1790)	5-9 7/16	(1764)	5-2 13/16	(1596)	1-4 9/16	(421)
22-34-22	6-0 7/16	(1841)	5-11 7/16	(1815)	5-4 13/16	(1646)	1-4 9/16	(421)
22-36-22	6-2 7/16	(1891)	6-1 7/16	(1866)	5-6 13/16	(1697)	1-4 9/16	(421)
22-38-22	6-4 7/16	(1942)	6-3 7/16	(1917)	5-8 13/16	(1748)	1-4 9/16	(421)
22-42-22	6-8 7/16	(2044)	6-7 7/16	(2018)	6-0 13/16	(1850)	1-4 9/16	(421)
22-50-22	7-4 7/16	(2247)	7-3 7/16	(2221)	6-8 13/16	(2053)	1-4 9/16	(421)
22-54-22	7-8 7/16	(2349)	7-7 7/16	(2323)	7-0 13/16	(2154)	1-4 9/16	(421)
22-62-22	8-4 7/16	(2552)	8-3 7/16	(2526)	7-8 13/16	(2358)	1-4 9/16	(421)
26 Wide Units								
26-22-26	5-6 1/8	(1679)	5-5 1/8	(1654)	4-10 1/2	(1485)	1-7 3/8	(492)
26-26-26	5-10 1/8	(1781)	5-9 1/8	(1755)	5-2 1/2	(1587)	1-7 3/8	(492)
26-30-26	6-2 1/8	(1883)	6-1 1/8	(1857)	5-6 1/2	(1688)	1-7 3/8	(492)
26-32-26	6-4 1/8	(1933)	6-3 1/8	(1908)	5-8 1/2	(1739)	1-7 3/8	(492)
26-34-26	6-6 1/8	(1984)	6-5 1/8	(1959)	5-10 1/2	(1790)	1-7 3/8	(492)
26-36-26	6-8 1/8	(2035)	6-7 1/8	(2009)	6-0 1/2	(1841)	1-7 3/8	(492)
26-38-26	6-10 1/8	(2086)	6-9 1/8	(2060)	6-2 1/2	(1892)	1-7 3/8	(492)
26-42-26	7-2 1/8	(2187)	7-1 1/8	(2162)	6-6 1/2	(1993)	1-7 3/8	(492)
26-50-26	7-10 1/8	(2391)	7-9 1/8	(2365)	7-2 1/2	(2196)	1-7 3/8	(492)
26-54-26	8-2 1/8	(2492)	8-1 1/8	(2467)	7-6 1/2	(2298)	1-7 3/8	(492)
26-62-26	8-10 1/8	(2695)	8-9 1/8	(2670)	8-2 1/2	(2501)	1-7 3/8	(492)
30 Wide Units								
30-22-30	5-11 3/4	(1823)	5-10 3/4	(1797)	5-4 1/8	(1629)	1-10 3/16	(564)
30-26-30	6-3 3/4	(1925)	6-2 3/4	(1899)	5-8 1/8	(1731)	1-10 3/16	(564)
30-30-30	6-7 3/4	(2026)	6-6 3/4	(2001)	6-0 1/8	(1832)	1-10 3/16	(564)
30-32-30	6-9 3/4	(2077)	6-8 3/4	(2051)	6-2 1/8	(1883)	1-10 3/16	(564)
30-34-30	6-11 3/4	(2128)	6-10 3/4	(2102)	6-4 1/8	(1934)	1-10 3/16	(564)
30-36-30	7-1 3/4	(2179)	7-0 3/4	(2153)	6-6 1/8	(1985)	1-10 3/16	(564)
30-38-30	7-3 3/4	(2230)	7-2 3/4	(2204)	6-8 1/8	(2035)	1-10 3/16	(564)
30-42-30	7-7 3/4	(2330)	7-6 3/4	(2305)	7-0 1/8	(2137)	1-10 3/16	(564)
30-50-30	8-3 3/4	(2534)	8-2 3/4	(2509)	7-8 1/8	(2340)	1-10 3/16	(564)
30-54-30	8-7 3/4	(2636)	8-6 3/4	(2610)	8-0 1/8	(2442)	1-10 3/16	(564)
30-62-30	9-3 3/4	(2839)	9-2 3/4	(2813)	8-8 1/8	(2645)	1-10 3/16	(564)

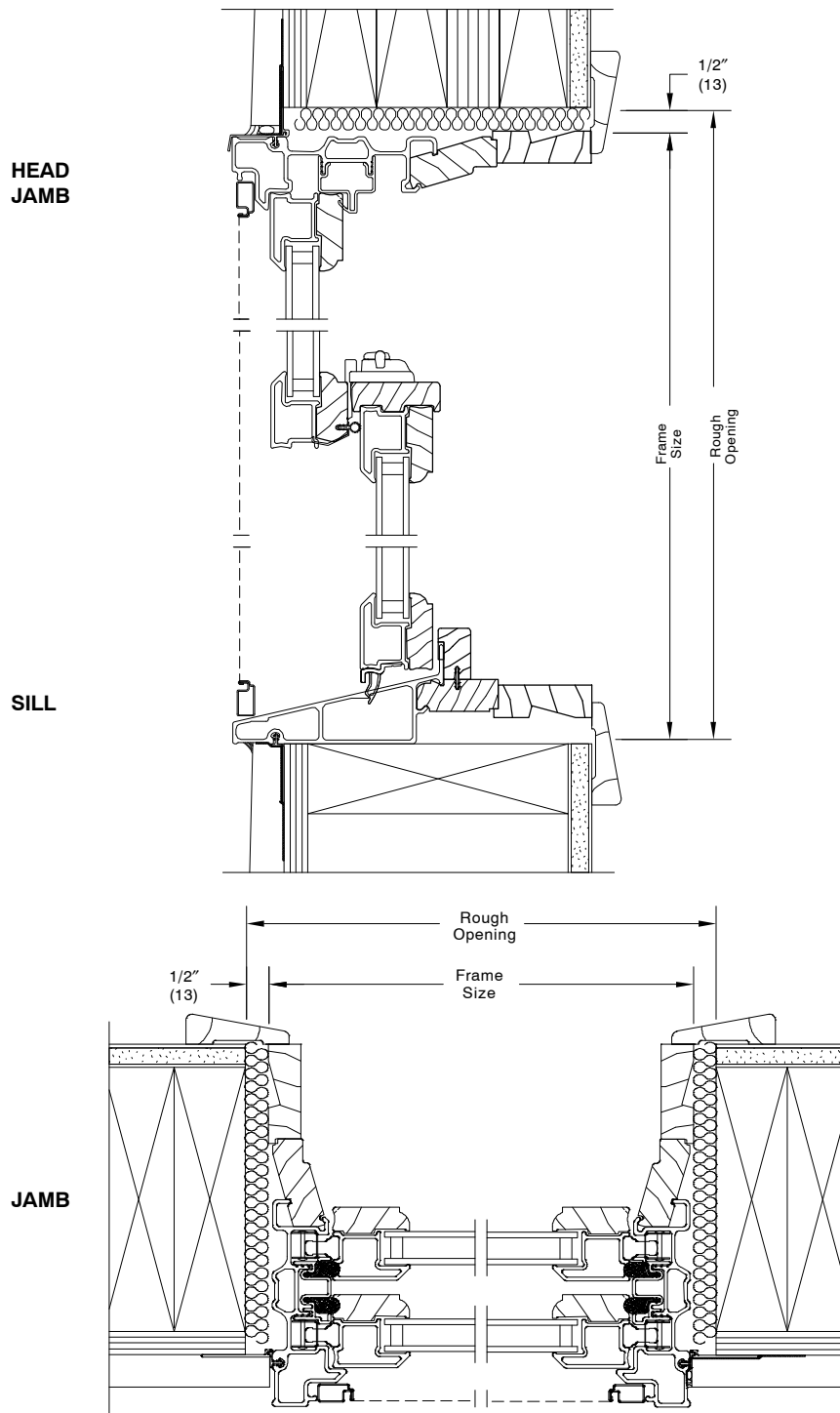
NOTE: White interior finish on head and seat board is available at no additional charge for factory mulled bay assemblies only.



BRICK VENEER WITH STEEL FRAME CONSTRUCTION

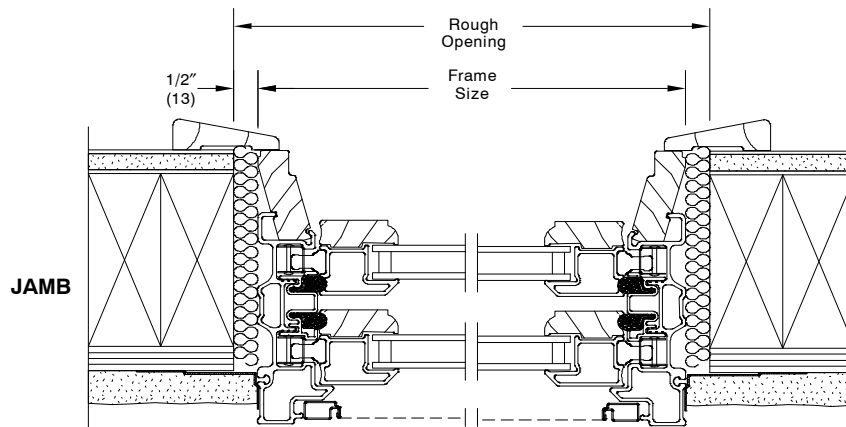
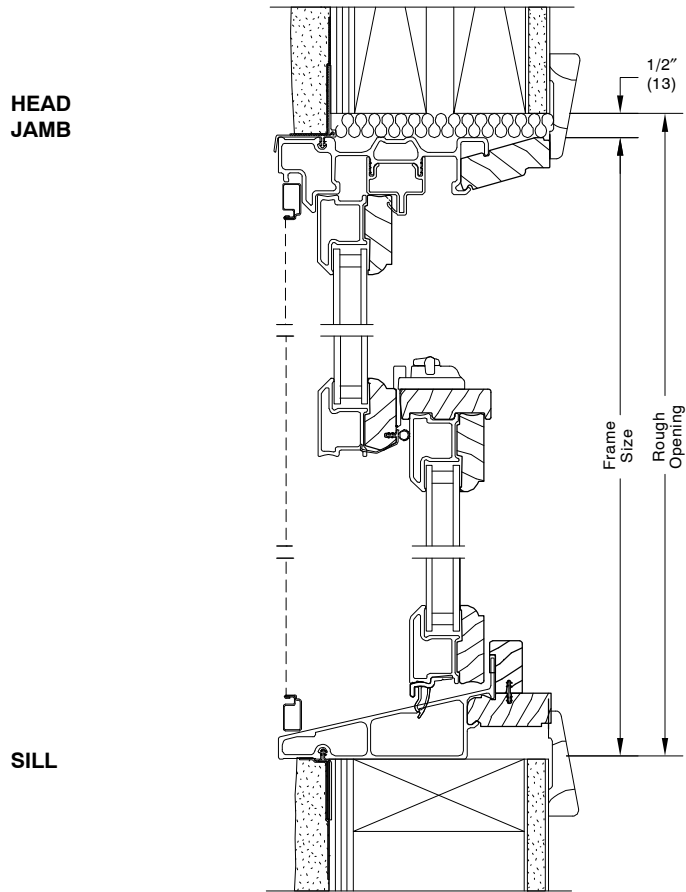
NOTE: The above wall sections represent typical wall conditions, these details are not intended as installation instructions. Please refer to the installation instructions provided with the purchased units.

NOTE: Picture unit Installation similar.



WOOD SIDING WITH 2X6 FRAME CONSTRUCTION

- NOTE: The above wall sections represent typical wall conditions, these details are not intended as installation instructions. Please refer to the installation instructions provided with the purchased units.
- NOTE: Double Hung Unit shown with jamb extension.
- NOTE: Picture unit Installation similar.



STUCCO WITH 2X4 FRAME CONSTRUCTION

NOTE: The above wall sections represent typical wall conditions, these details are not intended as installation instructions. Please refer to the installation instructions provided with the purchased units.

NOTE: Picture unit Installation similar.