

CHAPTER 9

INTEGRITY WOOD-ULTREX INSWING FRENCH DOOR

Unit Features	9.2
Minimum and Maximum Guidelines and Certified Sizes	9.3
Egress Measurements	9.4
Egress Formula	9.5
Conversions	9.6
Mulling Guidelines	9.7
Certified Mulling Guidelines	9.8
Certified 1/2" MRF Mulling Guidelines	9.9
Standard Size Charts and Elevations	9.10
Section Details - 4 9/16" Jamb	9.16
Section Details - 4 9/16" Jamb Impact	9.20
Section Details - 6 9/16" Jamb	9.24
Section Details - Transom Stand Alone 4 9/16" and 6 9/16" Jamb	9.28
Section Details - Mullion	9.29
Divided Lite Options	9.31
Installation Suggestions	9.33

ATTENTION:

- Specifications and technical data are subject to change without notice.
- Number in parentheses () following measurements are the metric equivalents in millimeters rounded to the nearest whole number
- Allow 1/16" (2) tolerance on all measurements.
- Interior mullion trim are shipped loose for field installation.
- For answers to technical questions about Integrity products you may call our Integrity Support Line: 1-800-587-2712.
- Website: www.marvin.com

UNIT FEATURES

FRAME AND PANEL:

The frame and panel exteriors are made of Ultrex[®], an advanced fiber reinforced material that is resistant to thermal conductance. Ultrex patented coating system meets all the requirements of AAMA 624-10. Exterior colors: Stone White, Pebble Gray, Bronze, Evergreen, Cashmere, or Ebony. The interior is non finger-jointed pine, kiln dried to a moisture content of 6-12% at time of fabrication. Water-repellant, preservative treated in accordance with WDMA I.S.4. Interior wood is available as Pine bare wood or factory-applied white interior finish.

FRAME:

Composite frame thickness is 1 11/16" (43). Frame width of 4 9/16" (116). The sill is Ultrex with oak interior sill liner. Ultrex is .080" (2) thick.

PANEL:

Composite sash thickness of 1 3/4" (44), stiles and top rail width, 3 5/8" (92), bottom rail width 6" (152), Ultrex is .110" (3) thick.

JAMB EXTENSION:

6 9/16" (167) available in one piece jamb. 6 13/16" (173) jamb extension available factory applied or in lineal lengths for field application. Assemblies with 6 13/16" jamb extensions add 1/4" to width and 1/8" to height of Rough Opening.

HARDWARE:

Multi-point lock, latch, and deadbolt assembly included with each door. Handle has a standard deadbolt and top and bottom shoot bolts which are operated by the handle set. Handle set: interior and exterior selected separately. Standard finish is Almond Frost. Optional White, Bright Brass PVD, Oil Rubbed Bronze PVD, and Satin Nickel PVD. Standard locking strike plate will be stainless steel, with an optional brass strike on "X and XO/OX" doors. Hinges contain both a horizontal and vertical adjustment feature. Three hinges are used on all units. Standard color is Almond Frost. Hinge kits are available in Gold, Grey, White, and Dark Brown painted finishes. Brass, Satin Nickel, and Oil-Rubbed Bronze available in PVD finishes. Keyed alike option is available.

INSTALLATION:

Factory applied folding nailing fin and drip cap system. Optional structural brackets for masonry available. Factory supplied field mulling kits are available for standard assemblies.

GLAZING:

All units are manufactured with a 3/4" (19mm) Tempered Insulating Glass with Low E1, E2 and E3 coatings including argon gas fill. All glass is of a select quality complying with ASTM C 1036. Insulating glass is manufactured and tested to pass level ASTM E 2190 and is IGCC certified. The glazing seal is a silicone bedding on both interior and exterior surfaces utilized in a sandwich style sash. STC/OITC values are available for 3.1/3.1 standard glass. Optional 3.1/4.7 STC/OITC Upgrade glass is available. STC and OITC ratings are tested in accordance with ASTM E 90-09. See the Product Performance chapter for values.

IMPACT GLAZING:

Optional Impact Zone 3 available on all sizes. Zone 3 for winds up to 140 miles per hour. Glass is laminated insulated Low E2 or E3 Argon, consisting of annealed or tempered glass exterior and laminated glass interior. Laminated glass is comprised of two pieces of glass with either an SGP or PVB laminate layer between. Interior and exterior glazing compound is silicone, in a sandwich style glazing system.

WEATHER STRIP:

All weather strip is black in color (not including sill). All units are constructed with weather strip at all panel perimeter joints. Jambs, head jamb, astragal, and mull post utilize a dual bulb type weather strip. Sill weather strip to seal against the bottom rail, and will be black or beige depending on sill color.

INSECT SCREEN:

Top-hung extruded aluminum screen for XO, OX configurations. Top hung roller assembly with stainless steel ball bearings and nylon wheels, top rollers adjustable up to 3/8 inch (10). Frame to have edge mounted wool pile bug strip. Flush mounted rigid nylon black handle on both sides of screen. Rigid PVC glide. Extruded aluminum swinging screen for 1 panel and 2 panel XX door: Aluminum frame to match exterior Ultrex color. Charcoal color fiberglass (non-corrosive) screen cloth. Includes black handle, latch, pneumatic closure and sweep.

REMOVABLE INTERIOR GRILLES:

Bar: Pine wood, 3/4" (19) Pattern: Standard rectangular pattern. Available in Pine non finger-jointed wood or factory applied white finish.

INTERIOR / EXTERIOR SIMULATED DIVIDED LITES (SDL):

Interior bar: 7/8" (22) wide bars. Pine bare wood with optional white interior finish. Exterior bar: Ultrex, 7/8" (22) wide bars, finish to match exterior. Patterns available: rectangle, 6 or 9 lite Prairie cut or Cottage style cut. Simulated check rail option: 2 11/32" (60). Patterns available: simulated rail in standard center or customer specified location with 7/8" pattern above, below, or both in pattern of rectangular equal lite or prairie lite cuts.

GRILLES-BETWEEN-THE-GLASS (GBG):

23/32" (18) white contoured aluminum bar placed between two panes of glass. Pattern: Standard rectangular pattern, 6 or 9 lite Prairie cut per panel, Cottage style cut, or 6 or 9 lite prairie cut on transom. Exterior color: Stone White, Pebble Gray, Bronze, Evergreen, Cashmere, or Ebony. Interior Colors: White or Bronze.

EXTERIOR CASING:

Non-integral to the unit. Fastened to the exterior wall with barb and kerf 2" (51) brick mould available as a head jamb and jamb surround. 3 1/2" (89) flat casing available as a head jamb and jamb surround. Also available with 1" (25) ranch style head jamb overhang.

MINIMUM AND MAXIMUM GUIDELINES AND CERTIFIED SIZES

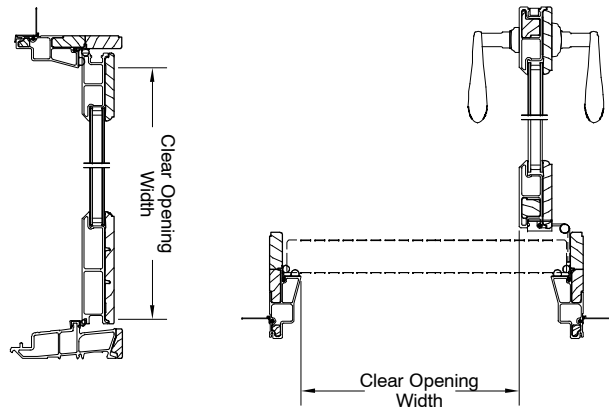
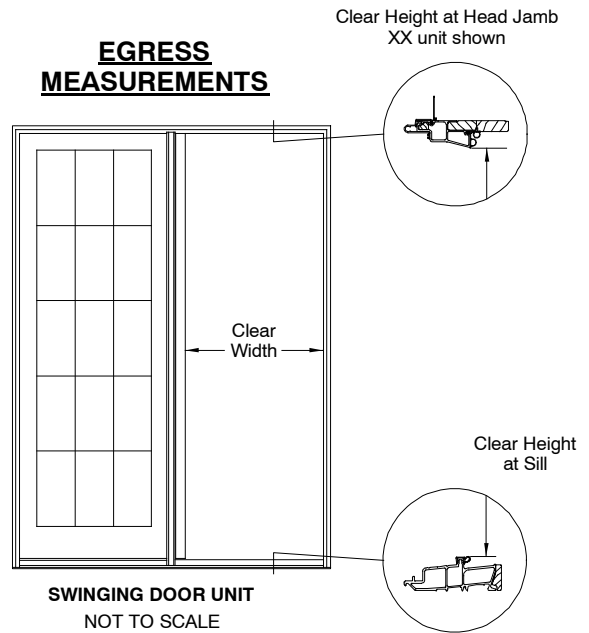
Operator/Stationary Units								
Unit Type	Frame Size							
	Min Width		Min Height		Max Width		Max Height	
	in	mm	in	mm	in	mm	in	mm
1 - Panel	30 5/16	(770)	79 1/2	(2019)	36 5/16	(922)	95 1/2	(2426)
2 - Panel	59	(1499)	79 1/2	(2019)	71	(1803)	95 1/2	(2426)
Door Transom	36 5/16	(922)	15 3/4	(400)	71	(1803)	15 3/4	(400)

NOTE: Special sizes are available in 1/64" increments, not to exceed the minimum or maximum listed above.

Product	Air Tested to psf	Water Tested to psf	Design Pressure (DP)	Certification Rating	Max Overall Width		Max Overall Height	
					in	mm	in	mm
Integrity Inswing French Door (OX / XO)	1.57	4.50	30	LC- PG30- SHD	71	(1803)	95.5	(2426)
Integrity Inswing French Door (XX)	1.57	4.50	30	LC- PG30- SHD	71	(1803)	95.5	(2426)
Integrity Inswing French Door (X)	1.57	4.50	30	LC- PG30- SHD	36.319	(923)	95.5	(2426)
Integrity Inswing French Door (O)	1.57	4.50	30	LC- PG30- SHD	36.319	(923)	95.5	(2426)
Integrity Inswing French Door (OX / XO) HP	1.57	7.50	50	LC- PG50- SHD	71	(1803)	95.5	(2426)
Integrity Inswing French Door (XX) HP	1.57	7.50	50	LC- PG50- SHD	71	(1803)	95.5	(2426)
Integrity Inswing French Door (X) HP	1.57	7.50	50	LC- PG50- SHD	36.319	(923)	95.5	(2426)
Integrity Inswing French Door (O) HP	1.57	7.50	50	LC- PG50- SHD	36.319	(923)	95.5	(2426)
Integrity Inswing French Door (OX / XO) Impact	1.57	8.35	+55/- 55	LC- PG55- SHD	71	(1803)	95.5	(2426)
Integrity Inswing French Door (XX) Impact	1.57	8.35	+55/- 55	LC- PG55- SHD	71	(1803)	95.5	(2426)
Integrity Inswing French Door (X) Impact	1.57	8.35	+55/- 65	LC- PG55- SHD	36.319	(923)	95.5	(2426)
Integrity Inswing French Door (O) Impact	1.57	8.35	+55/- 65	LC- PG55- SHD	36.319	(923)	95.5	(2426)

EGRESS MEASUREMENTS

Net Clear Opening Wood Ultrex In-Swing French Door			
Width			
Unit Type	Call Number	Net Clear Openings	
		ft-in	mm
1 Panel Operator Standard/HP/IZ3 (X)	2-6	2- 1 21/64	(643)
	2-8	2- 3 21/64	(694)
	3-0	2- 7 21/64	(796)
2 Panel Operator Standard/HP/IZ3 (OX / XO)	5-0	2- 1 1/4	(641)
	5-4	2- 3 1/4	(692)
	6-0	2- 7 1/4	(794)
2 Panel Operator Standard/HP/IZ3 (XX)	5-0	4- 4 13/32	(1331)
	5-4	4- 8 13/32	(1433)
	6-0	5- 4 13/32	(1636)
Height			
Unit Type	Call Number	Net Clear Openings	
		ft - in	mm
1 and 2 Panel Standard X/XX/XO/OX	6-5	6- 3 3/4	(1924)
	6-8	6- 6 1/4	(1987)
	7-0	6- 10 1/4	(2089)
	8-0	7- 7 3/4	(2330)
1 and 2 Panel HP/IZ3 X/XX/XO/OX	6-5	6- 3 3/32	(1924)
	6-8	6- 5 19/32	(1987)
	7-0	6- 9 19/32	(2089)
	8-0	7- 7 3/32	(2330)



Code restrictions may vary depending on your local building codes. For additional information contact your local code department for IBC and IRC requirements.

EGRESS FORMULA

Egress Conversion		
Standard Inswing French Door		
Minimum Value for Net Clear Opening	Desired Dimension	Formula
32"	Egress opening width, in	1 Panel Door
		= IIFD Frame OM - 4.994
		2 Panel Door (XO, OX)
		= (IIFD Frame Width / 2) - 4.254
78" (IRC 2012) 80" (IBC 2012)	Egress opening height, in	2 Panel Door (XX)
		= IIFD Frame Width - 6.588
		X, XX, XO, OX Height
		= IIFD Frame Height - 3.755
		X, XX, XO, OX Height (Impact/HP)
		=IIFD Frame Height - 4.41

CONVERSIONS

Unit Measurements		Width 1 - Panel		Width 2 - Panel		Height			
From	To								
Frame		in	mm			in	mm		
Masonry Opening	Rough Opening	+ 1/2	(13)			+ 1/2	(13)	+ 1/4	(6)
Masonry Opening w/BMC	Rough Opening	+ 1/2	(13)			+ 1/2	(13)	+ 1/4	(6)
OM of Frame	Rough Opening	+ 1	(25)			+ 1	(25)	+ 1/2	(13)
Daylight Opening	Rough Opening	+ 9 31/32	(253)	×	2	+ 17 5/16	(440)	+ 12 29/32	(328)
Daylight Opening (Impact/HP)	Rough Opening	+ 9 31/32	(253)	×	2	+ 17 5/16	(440)	+ 13 9/16	(344)
Panel		in	mm			in	mm	in	mm
OM of Frame	OM of Panel	- 1 23/32	(44)	+	2	- 29/32	(23)	- 2 25/32	(71)
OM of Frame (Impact/HP)	OM of Panel	- 1 23/32	(44)	+	2	- 29/32	(23)	- 3 7/16	(87)
Daylight Opening	OM of Panel	+ 7 1/4	(184)			+ 7 1/4	(184)	+ 9 5/8	(244)
Glass		in	mm			in	mm	in	mm
OM of Frame	Glass	- 7 23/32	-(196)	+	2	- 6 29/32	-(175)	- 11 7/32	-(285)
OM of Frame (HP)	Glass	- 7 23/32	-(196)	+	2	- 6 29/32	-(175)	- 11 7/8	-(302)
OM of Frame (Impact)	Glass	- 7 27/32	-(199)	+	2	- 7 5/32	-(182)	- 11 63/64	-(304)
Daylight Opening (Standard/HP)	Glass	+ 1 1/4	(32)			+ 1 1/4	(32)	+ 1 3/16	(30)
Daylight Opening (Impact)	Glass	+ 1 1/8	(29)			+ 1 1/8	(29)	+ 1 5/64	(27)
Sliding Screen		in	mm			in	mm	in	mm
OM of Frame	OM of Screen			+	2	- 5/16	(8)	- 2 29/64	(62)
Daylight Opening	OM of Screen					+ 7 27/32	(199)	+ 9 61/64	(253)
Daylight Opening (Impact/HP)	OM of Screen					+ 7 27/32	(199)	+ 10 39/64	(269)
Swinging Screen		in	mm			in	mm	in	mm
OM of Frame	OM of Screen	- 1 55/64	(47)	+	2	- 1 3/8	(35)	- 2 9/32	(58)
Daylight Opening	OM of Screen	+ 7 7/64	(181)			+ 6 25/32	(172)	+ 10 1/8	(257)
Daylight Opening (Impact/HP)	OM of Screen	+ 7 7/64	(181)			+ 6 25/32	(172)	+ 10 25/32	(274)

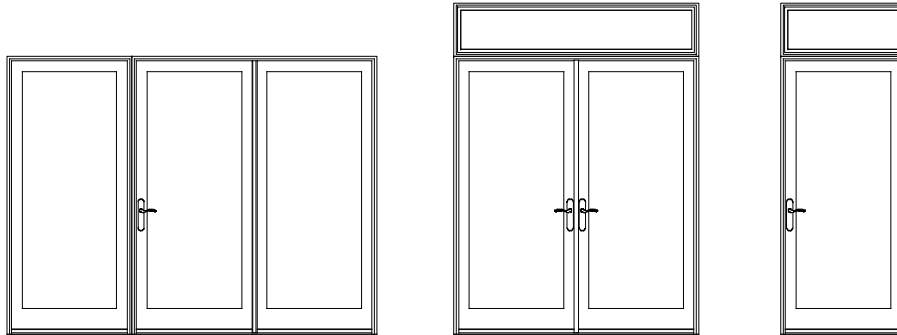
Unit Measurements - Transoms		Width		Height	
From	To				
Frame		in	mm	in	mm
Masonry Opening	Rough Opening	+ 1/2	(13)	+ 1/4	(6)
Masonry Opening w/BMC	Rough Opening	+ 1/2	(13)	+ 1/4	(6)
OM of Frame	Rough Opening	+ 1	(25)	+ 1/2	(13)
Daylight Opening	Rough Opening	+ 5 3/8	(137)	+ 4 7/8	(124)
Frame		in	mm	in	mm
Daylight Opening	Frame	+ 4 3/8	(111)	+ 4 3/8	(111)
Glass		in	mm	in	mm
OM of Frame	Glass	- 2 13/16	-(71)	- 2 13/16	-(71)
Daylight Opening	Glass	+ 1 9/16	(40)	+ 1 9/16	(40)

MULLING GUIDELINES

Multiple assemblies can be factory mullled

- Assemblies up to 3 units wide by 1 unit high
 - **MAXIMUM ROUGH OPENING** not to exceed 109 15/16" (2792) X 96" (2438)
- Assemblies up to 2 units wide by 2 units high
 - **MAXIMUM ROUGH OPENING** not to exceed 73 5/8" (1870) X 100 1/2" (2552)

NOTE: FIELD MULLING BEYOND 110" x 112" IS NOT RECOMMENDED. MULLING NOT AVAILABLE ON HP OR IZ3 UNITS.



ROUGH OPENING TABLE FOR ASSEMBLIES

WIDTH: Single unit Rough Opening width MINUS 1" = Frame width.
 ADD **all** frame widths PLUS 1" = Total Rough Opening Width.

HEIGHT: Single unit Rough Opening height MINUS 1/2" = Frame height.
 ADD **all** frame heights PLUS 1/2" = Total Rough Opening Height.

NOTE: Assemblies with 6 13/16" jamb extensions
 add 1/4" to width and 1/8" to height of Rough Opening.

CERTIFIED MULLING GUIDELINES

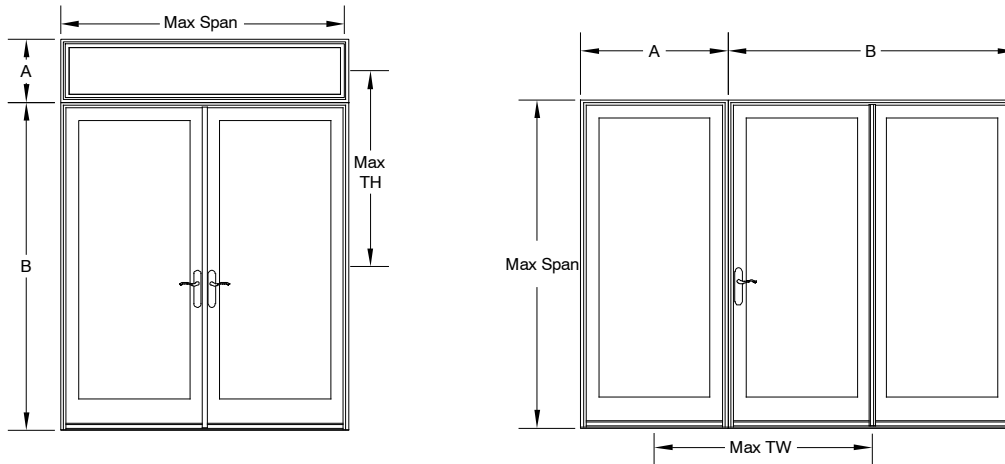
Certified Mull Limits: WDMA Hallmark certified to AAMA 450.

The Wood- Ultrex Inswing French Door may be mull to Direct Glaze Polygon.

- If assemblies have individual units that have a lower design pressure than the mull, the entire assembly is rated at the lower design pressure.
- Mull certification includes 4" mull clips (nail fin installation) or mull brackets (structural bracket installation) at all mull joints.
- Items not included in certified mulls: Stepped mulls, Palladians, Polygon Shapes, Through Jamb and Insert Products
- Mulling not available on HP or IZ3 Units

Mull Limits					
Product	Configuration	Max Span	Max TW or TH	Max RO	DP
WU IIFD Frame- Frame Mulling	1W x 2H	71" (1803)	50" (1270)	72" x 100 1/2" (1829 x 2553)	50
WU IIFD Frame- Frame Mulling	2- 3W x 1H	95 1/2" (2426)	54 15/32" (1384)	109 15/16" x 96" (2792 x 2438)	50

- Tributary Width = $(A+B)/2$
- Tributary Height = $(A+B)/2$



CERTIFIED 1/2" MRF MULLING GUIDELINES

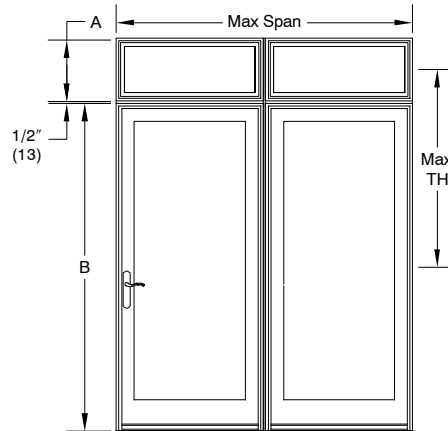
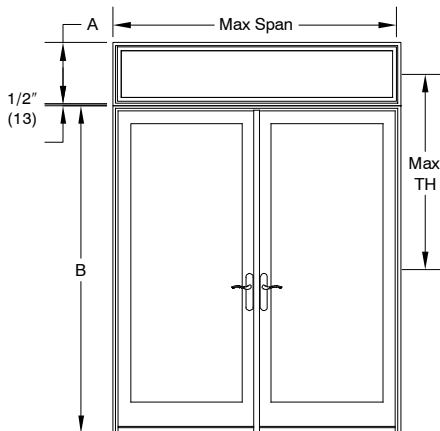
Certified Mull Limits: WDMA Hallmark certified to AAMA 450.

The Wood- Ultrex Inswing French Door may be mull to Direct Glaze Polygon.

- If assemblies have individual units that have a lower design pressure than the mull, the entire assembly is rated at the lower design pressure.
- Mull certification includes 4" mull clips (nail fin installation) or mull brackets (structural installation) at all mull joints.
- Items not included in certified mulls: Stepped mulls, Palladians, Polygon Shapes, Through Jamb, and Insert Products
- Mulling not available on HP or IZ3 Units

Mull Limits					
Product	Configuration	Max Span	Max TW or TH	Max RO	DP
WU IIFD Horizontal 1/2" MRF Mulling	1W x 2H	71" (1803)	50" (1270)	72" x 100 1/2" (1829 x 2553)	50
WU IIFD Horizontal 1/2" MRF Mulling	2W x 2H	72 5/8" (1845)	50" (1270)	73 5/8" x 100 1/2" (1870 x 2553)	50

- Tributary Width = $(A+B+1/2)/2$
- Tributary Height = $(A+B+1/2)/2$



STANDARD SIZE CHART

Standard Inswing Unit Measurements													
Width													
Unit Type	CN	Masonry Opening		Rough Opening		Frame Size		Panel OM		Daylight Opening		Glass Size	
		ft - in	mm	ft - in	mm	ft - in	mm	ft - in	mm	ft - in	mm	in	mm
1 Panel	2-6	2-6 13/16	(783)	2-7 5/16	(796)	2-6 5/16	(770)	2-4 19/32	(726)	1-9 11/32	(542)	22 19/32	(574)
	2-8	2-8 13/16	(834)	2-9 5/16	(846)	2-8 5/16	(821)	2-6 19/32	(777)	1-11 11/32	(593)	24 19/32	(625)
	3-0	3-0 13/16	(935)	3-1 5/16	(948)	3-0 5/16	(923)	2-10 19/32	(879)	2-3 11/32	(695)	28 19/32	(726)
2 Panel	5-0	4-11 1/2	(1511)	5-0	(1524)	4-11	(1499)	2-4 19/32	(726)	1-9 11/32	(542)	22 19/32	(574)
	5-4	5-3 1/2	(1613)	5-4	(1626)	5-3	(1600)	2-6 19/32	(777)	1-11 11/32	(593)	24 19/32	(625)
	6-0	5-11 1/2	(1816)	6-0	(1829)	5-11	(1803)	2-10 19/32	(879)	2-3 11/32	(695)	28 19/32	(726)
Height													
Unit Type	CN	Masonry Opening		Rough Opening		Frame Size		Panel OM		Daylight Opening		Glass Size	
		ft - in	mm	ft - in	mm	ft - in	mm	ft - in	mm	ft - in	mm	in	mm
All Configurations	6-5	6-7 3/4	(2026)	6-8	(2032)	6-7 1/2	(2019)	6-4 23/32	(1949)	5-7 3/32	(1704)	68 9/32	(1734)
	6-8	6-10 1/4	(2089)	6-10 1/2	(2096)	6-10	(2083)	6-7 7/32	(2012)	5-9 19/32	(1768)	70 25/32	(1798)
	7-0	7-2 1/4	(2191)	7-2 1/2	(2197)	7-2	(2184)	6-11 7/32	(2114)	6-1 19/32	(1869)	74 25/32	(1900)
	8-0	7-11 3/4	(2432)	8-0	(2438)	7-11 1/2	(2426)	7-8 23/32	(2355)	6-11 3/32	(2111)	84 9/32	(2141)

Standard Direct Glaze Door Transom Unit Measurements											
Width											
Unit Type	CN	Masonry Opening		Rough Opening		Frame Size		Daylight Opening		Glass Size	
		ft - in	mm	ft - in	mm	ft - in	mm	ft - in	mm	in	mm
Direct Glaze	3-6	3-0 13/16	(935)	3-1 5/16	(948)	3-0 5/16	(923)	2-7 15/16	(811)	33 1/2	(851)
	7-2	5-11 1/2	(1816)	6-0	(1829)	5-11	(1803)	5-6 5/8	(1692)	68 3/16	(1732)
	10-8	8-11 13/16	(2739)	9-0 5/16	(2751)	8-11 5/16	(2726)	8-6 15/16	(2615)	104 1/2	(2654)
Height											
Unit Type	CN	Masonry Opening		Rough Opening		Frame Size		Daylight Opening		Glass Size	
		ft - in	mm	ft - in	mm	ft - in	mm	ft - in	mm	in	mm
All Configurations	1-6	1-4	(406)	1-4 1/4	(413)	1-3 3/4	(400)	0-11 3/8	(289)	12 15/16	(329)

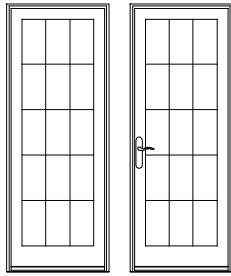
ELEVATIONS 1 AND 2 PANEL DOORS 6/5 HT

M.O.
 R.O.
 Frame Size

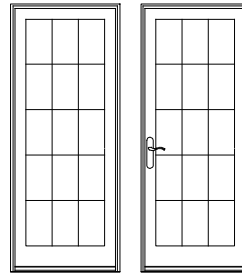
2-6 13/16 (783)
 2-7 5/16 (796)
 2-6 5/16 (770)

2-8 13/16 (834)
 2-9 5/16 (846)
 2-8 5/16 (821)

6-7 3/4 (2026)
 6-8 (2032)
 6-7 1/2 (2019)



IIFD 2665 0 IIFD 2665 X R



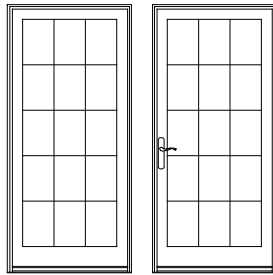
IIFD 2865 0 IIFD 2865 X R



3-0 13/16 (935)
 3-1 5/16 (948)
 3-0 5/16 (923)

NOTE: X- R unit shown, X- L unit available.

6-7 3/4 (2026)
 6-8 (2032)
 6-7 1/2 (2019)

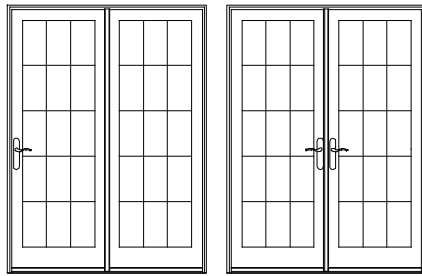


IIFD 3065 0 IIFD 3065 X R



6-7 3/4 (2026)
 6-8 (2032)
 6-7 1/2 (2019)

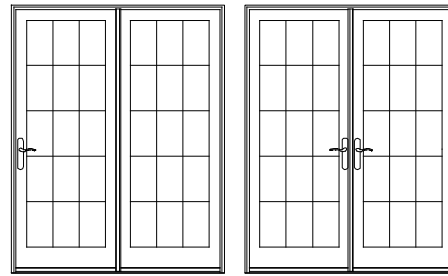
4- 11 1/2 (1511)
 5- 0 (1524)
 4- 11 (1499)



IIFD 5065 XO IIFD 5065 XX



5- 3 1/2 (1613)
 5- 4 (1626)
 5- 3 (1600)

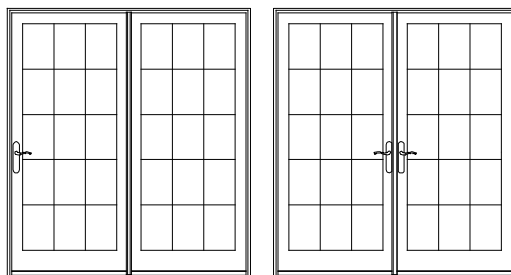


IIFD 5465 XO IIFD 5465 XX



6-7 3/4 (2026)
 6-8 (2032)
 6-7 1/2 (2019)

5- 11 1/2 (1816)
 6- 0 (1829)
 5- 11 (1803)



IIFD 6065 XO IIFD 6065 XX



NOTE: XO units shown,
 OX units available.

O = Stationary Panel
 X = Operating Panel
 L = Left Panel
 R = Right Panel



Represents units that are certified for Impact glazing with a wind zone 3.

All units viewed from exterior.

M.O.
 R.O.
 Frame Size

NOTE: XX units available in RH and LH configurations. Handing is determined by the location of the primary operator panel as viewed from the exterior.

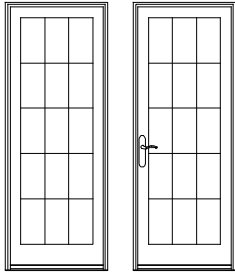
ELEVATIONS 1 AND 2 PANEL DOORS 6/8 HT

M.O.
 R.O.
 Frame Size

2- 6 13/16 (783)
 2- 7 5/16 (796)
 2- 6 5/16 (770)

2- 8 13/16 (834)
 2- 9 5/16 (846)
 2- 8 5/16 (821)

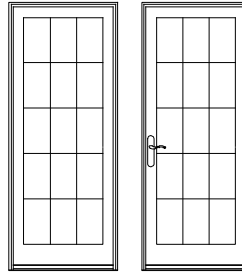
6- 10 1/4 (2026)
 6- 10 1/2 (2096)
 6- 10 (2083)



IIFD 2668 0 IIFD 2668 X R



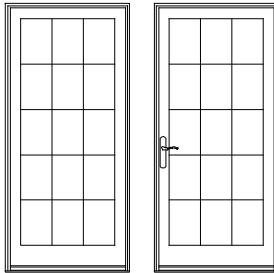
3- 0 13/16 (935)
 3- 1 5/16 (948)
 3- 0 5/16 (923)



IIFD 2868 0 IIFD 2868 X R



6- 10 1/4 (2026)
 6- 10 1/2 (2096)
 6- 10 (2083)

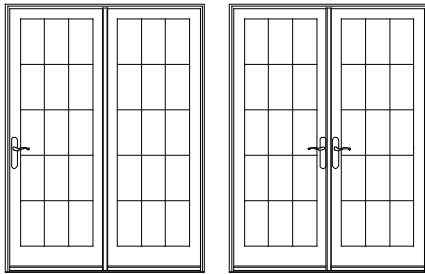


IIFD 3068 0 IIFD 3068 X R



NOTE: X- R unit shown, X- L unit available.

6- 10 1/4 (2026)
 6- 10 1/2 (2096)
 6- 10 (2083)

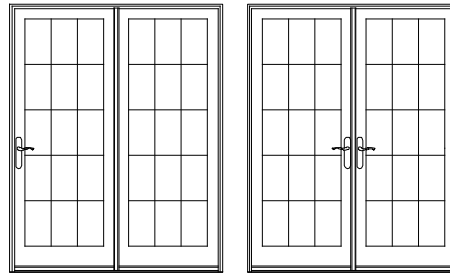


IIFD 5068 XO IIFD 5068 XX



4- 11 1/2 (1511)
 5- 0 (1524)
 4- 11 (1499)

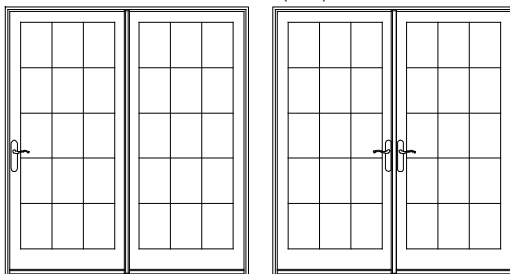
5- 3 1/2 (1613)
 5- 4 (1626)
 5- 3 (1600)



IIFD 5468 XO IIFD 5468 XX



6- 10 1/4 (2026)
 6- 10 1/2 (2096)
 6- 10 (2083)



IIFD 6068 XO IIFD 6068 XX



5- 11 1/2 (1816)
 6- 0 (1829)
 5- 11 (1803)

NOTE: XO units shown,
 OX units available.

O = Stationary Panel
 X = Operating Panel
 L = Left Panel
 R = Right Panel



Represents units that are certified for Impact glazing with a wind zone 3.

All units viewed from exterior.

M.O.
 R.O.
 Frame Size

NOTE: XX units available in RH and LH configurations. Handing is determined by the location of the primary operator panel as viewed from the exterior.

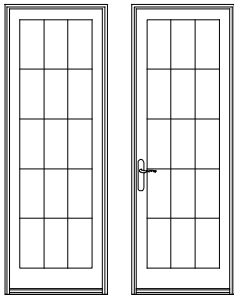
ELEVATIONS 1 AND 2 PANEL DOORS 7/0 HT

M.O.
 R.O.
 Frame Size

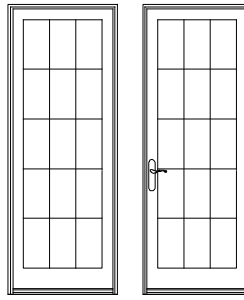
2-6 13/16 (783)
 2-7 5/16 (796)
 2-6 5/16 (770)

2-8 13/16 (834)
 2-9 5/16 (846)
 2-8 5/16 (821)

7-2 1/4 (2191)
 7-2 1/2 (2197)
 7-2 (2184)



IIFD 2670 0 IIFD 2670 X R

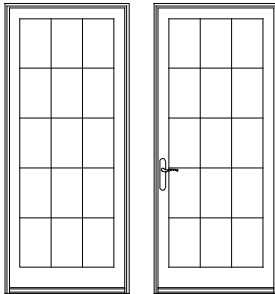


IIFD 2870 0 IIFD 2870 X R

3-0 13/16 (935)
 3-1 5/16 (948)
 3-0 5/16 (923)

NOTE: X- R unit shown, X- L unit available.

7-2 1/4 (2191)
 7-2 1/2 (2197)
 7-2 (2184)

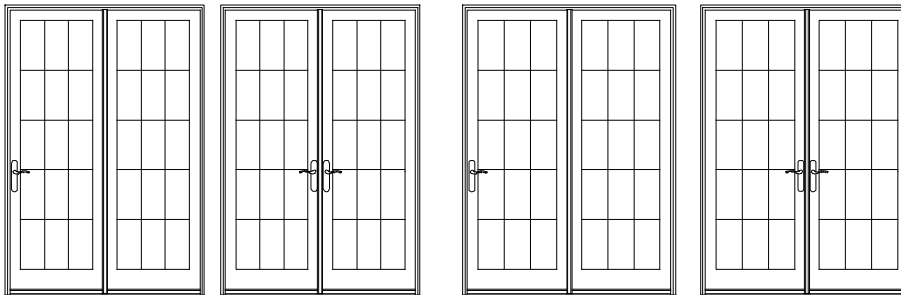


IIFD 3070 0 IIFD 3070 X R

4-11 1/2 (1511)
 5-0 (1524)
 4-11 (1499)

5-3 1/2 (1613)
 5-4 (1626)
 5-3 (1600)

7-2 1/4 (2191)
 7-2 1/2 (2197)
 7-2 (2184)



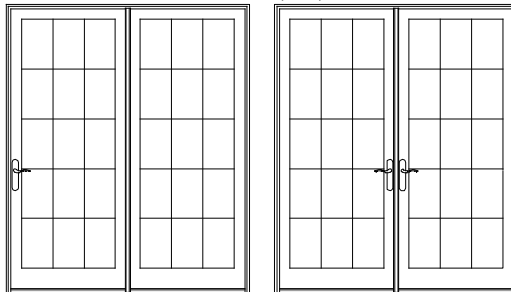
IIFD 5070 X0 IIFD 5070 XX IIFD 5470 X0 IIFD 5470 XX

5-11 1/2 (1816)
 6-0 (1829)
 5-11 (1803)

NOTE: XO units shown, OX units available.

O = Stationary Panel
 X = Operating Panel
 L = Left Panel
 R = Right Panel

7-2 1/4 (2191)
 7-2 1/2 (2197)
 7-2 (2184)



IIFD 6070 X0 IIFD 6070 XX

NOTE: XX units available in RH and LH configurations. Handing is determined by the location of the primary operator panel as viewed from the exterior.



Represents units that are certified for Impact glazing with a wind zone 3.

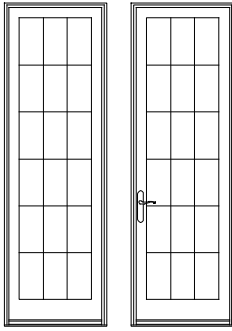
All units viewed from exterior.

ELEVATIONS 1 AND 2 PANEL DOORS 8/0 HT

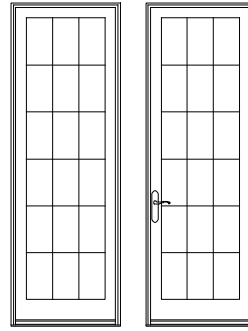
M.O.
 R.O.
 Frame Size

2-6 13/16 (783)
 2-7 5/16 (796)
 2-6 5/16 (770)

2-8 13/16 (834)
 2-9 5/16 (846)
 2-8 5/16 (821)



IIFD 2680 0 IIFD 2680 X R

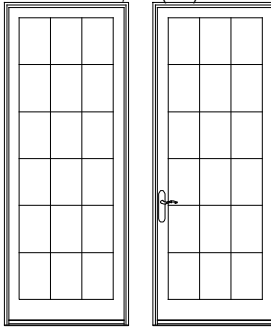


IIFD 2880 0 IIFD 2880 X R



7-11 3/4 (2432)
 8-0 (2438)
 7-11 1/2 (2426)

3-0 13/16 (935)
 3-1 5/16 (948)
 3-0 5/16 (923)



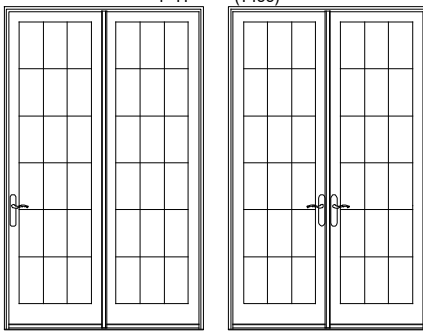
IIFD 3080 0 IIFD 3080 X R



7-11 3/4 (2432)
 8-0 (2438)
 7-11 1/2 (2426)

NOTE: X- R unit shown, X- L unit available.

4-11 1/2 (1511)
 5-0 (1524)
 4-11 (1499)

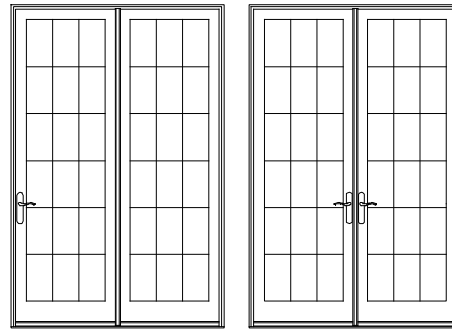


IIFD 5080 XO IIFD 5080 XX



7-11 3/4 (2432)
 8-0 (2438)
 7-11 1/2 (2426)

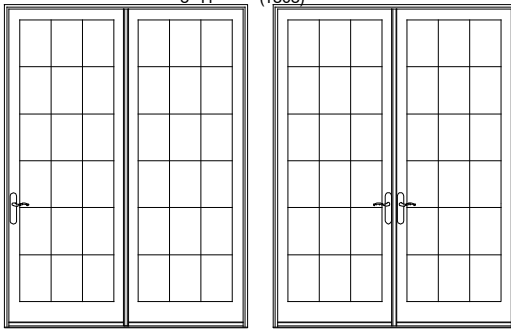
5-3 1/2 (1613)
 5-4 (1626)
 5-3 (1600)



IIFD 5480 XO IIFD 5480 XX



5-11 1/2 (1816)
 6-0 (1829)
 5-11 (1803)



IIFD 6080 XO IIFD 6080 XX



7-11 3/4 (2432)
 8-0 (2438)
 7-11 1/2 (2426)

M.O.
 R.O.
 Frame Size

NOTE: XO units shown, OX units available.

O = Stationary Panel
 X = Operating Panel
 L = Left Panel
 R = Right Panel



Represents units that are certified for Impact glazing with a wind zone 3.

All units viewed from exterior.

NOTE: XX units available in RH and LH configurations. Handing is determined by the location of the primary operator panel as viewed from the exterior.

ELEVATIONS STANDARD TRANSOMS

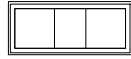
M.O.	3-0 13/16 (935)	5-11 1/2 (1816)	2-8 13/16 (834)
R.O.	3-1 5/16 (948)	6-0 (1829)	2-9 5/16 (846)
Frame Size	3-0 5/16 (923)	5-11 (1803)	2-8 5/16 (821)

M.O.
R.O.
Frame Size

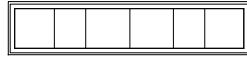
(406)
(413)
(400)

1-4
1-4 1/4
1-3 3/4

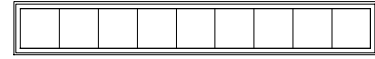
Frame Size



IIFDG 3616



IIFDG 7216



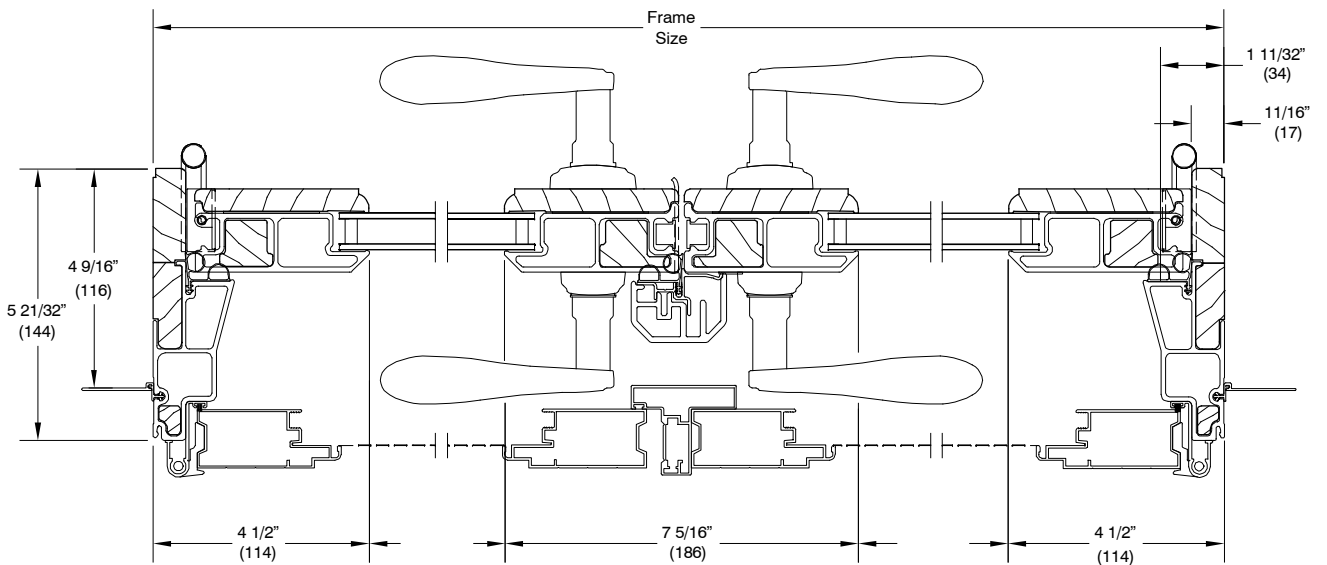
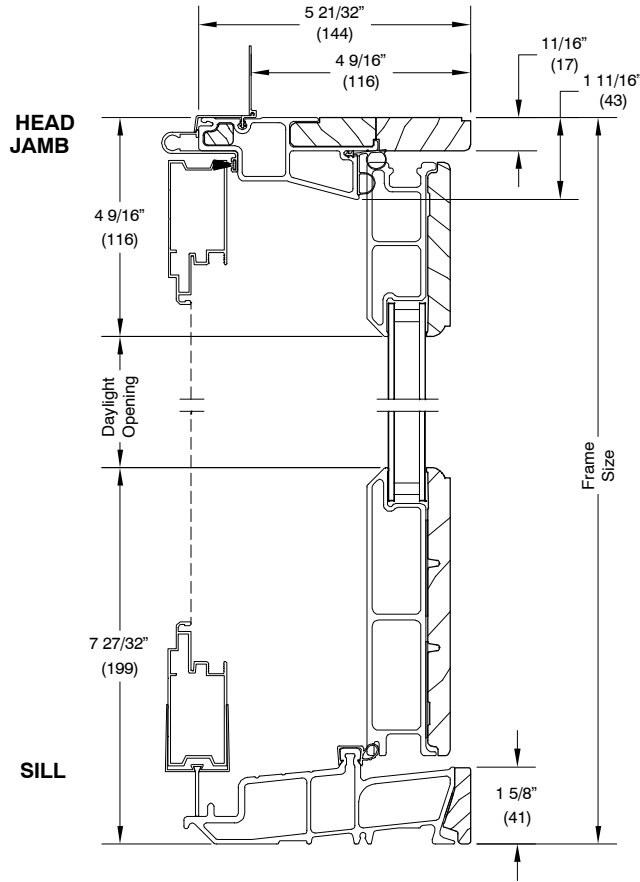
IIFDG 10816



Represents units that are certified for Impact glazing with a wind zone 3.

SECTION DETAILS - 4 9/16" JAMB - XXR OPERATOR

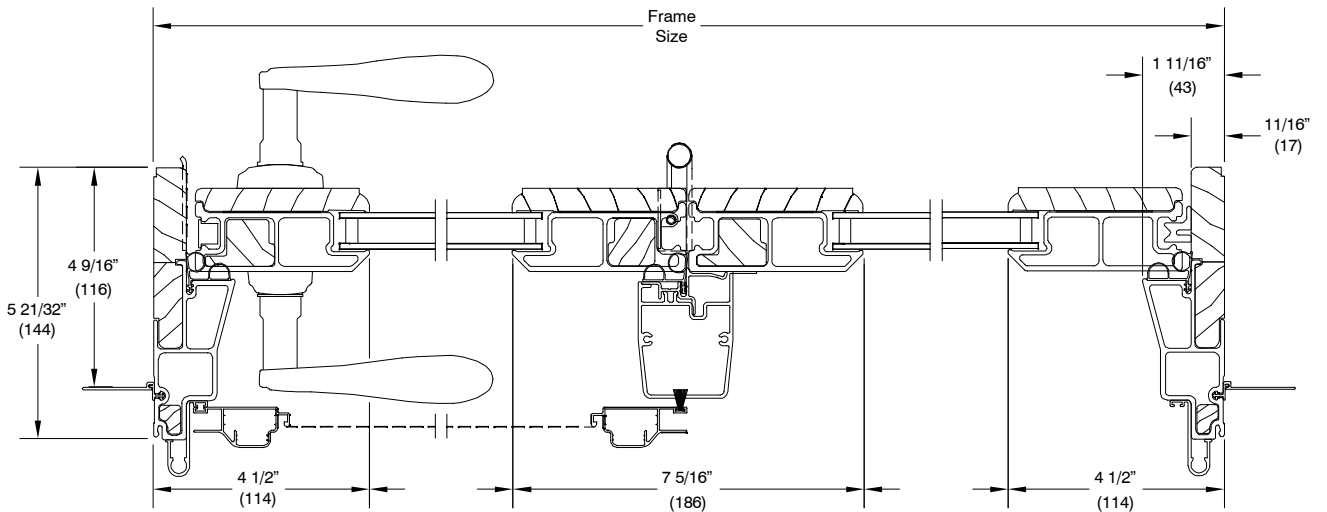
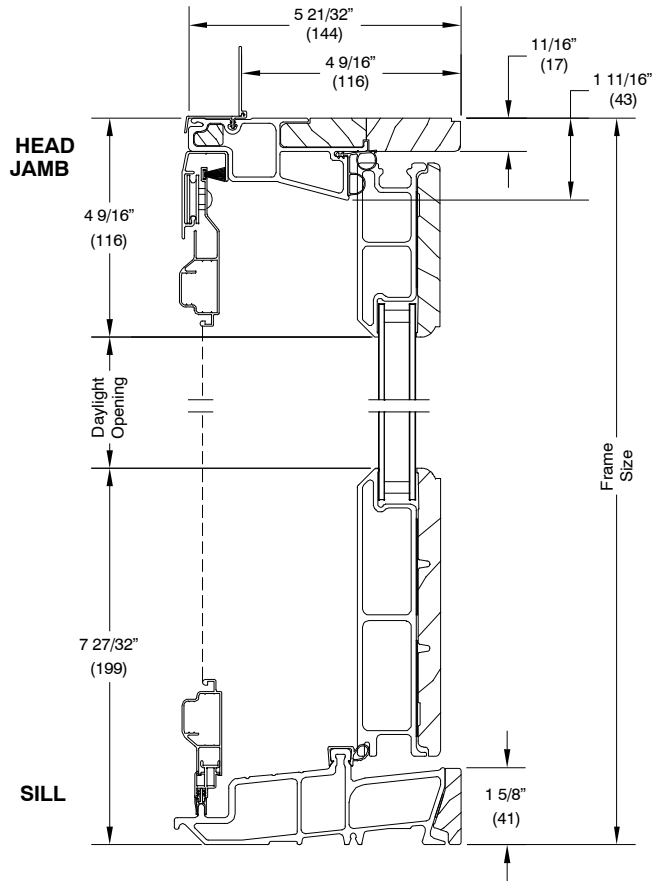
Scale 3" = 1'-0"



2 PANEL JAMB - XXR

SECTION DETAILS - 4 9/16" JAMB - XO OPERATOR

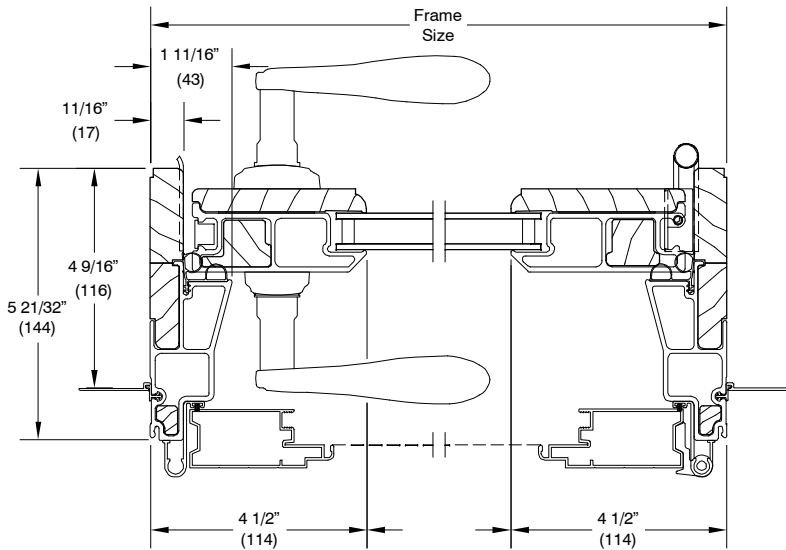
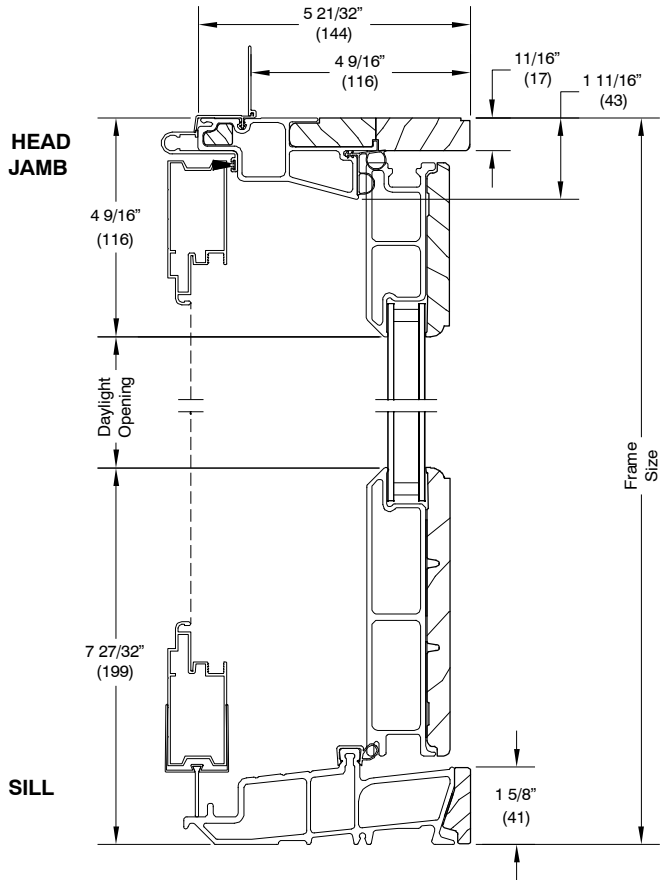
Scale 3" = 1'-0"



2 PANEL JAMB - XO

SECTION DETAILS - 4 9/16" JAMB - X - OPERATOR

Scale 3" = 1'-0"

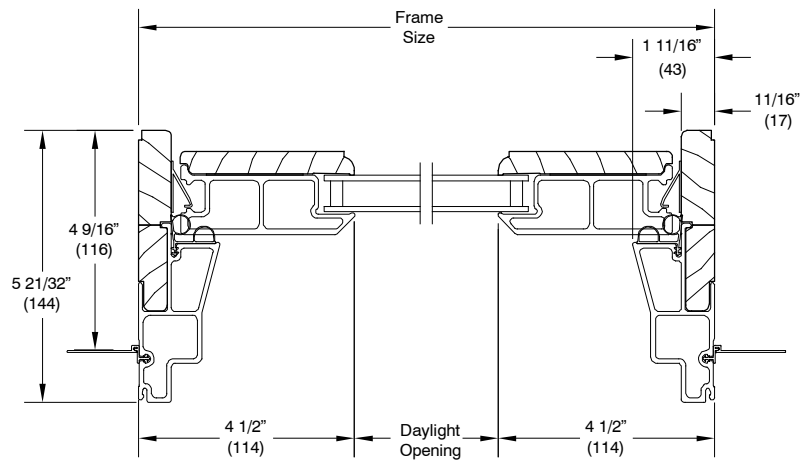
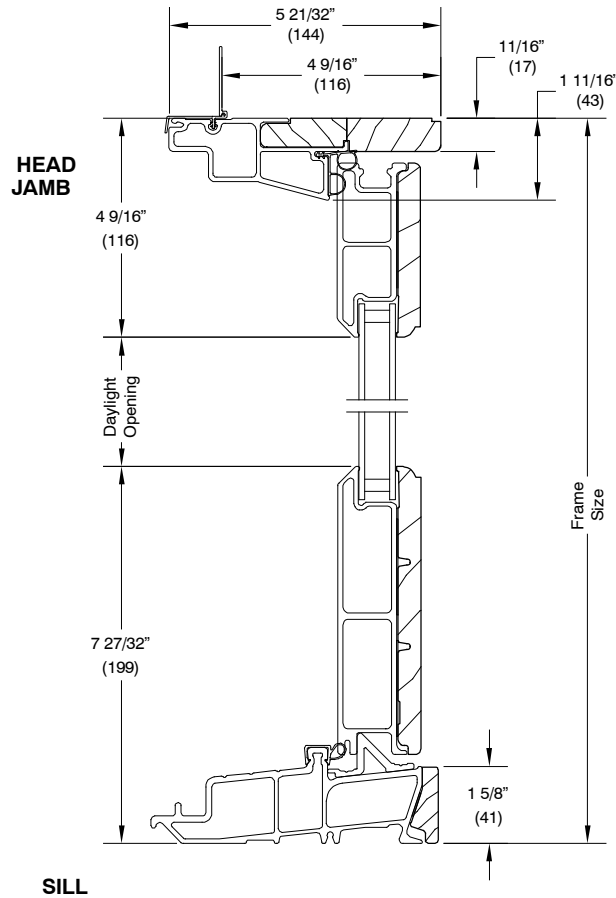


SINGLE PANEL JAMB - XR

NOTE: Swinging screen available on single panel operation X and 2 panel operation XX.

SECTION DETAILS - 4 9/16" JAMB - STATIONARY

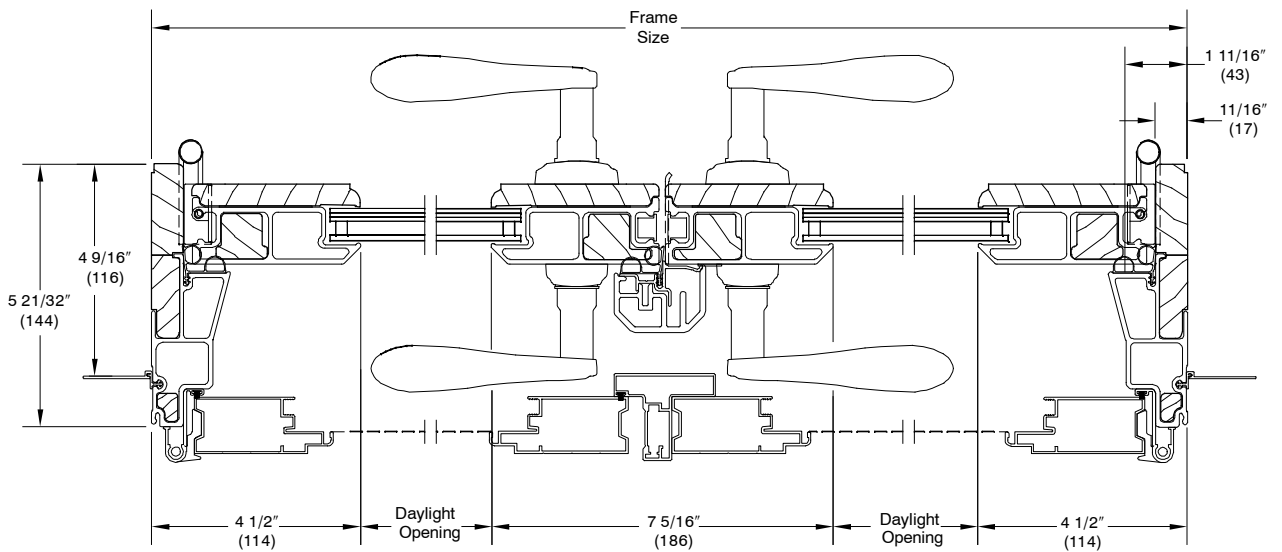
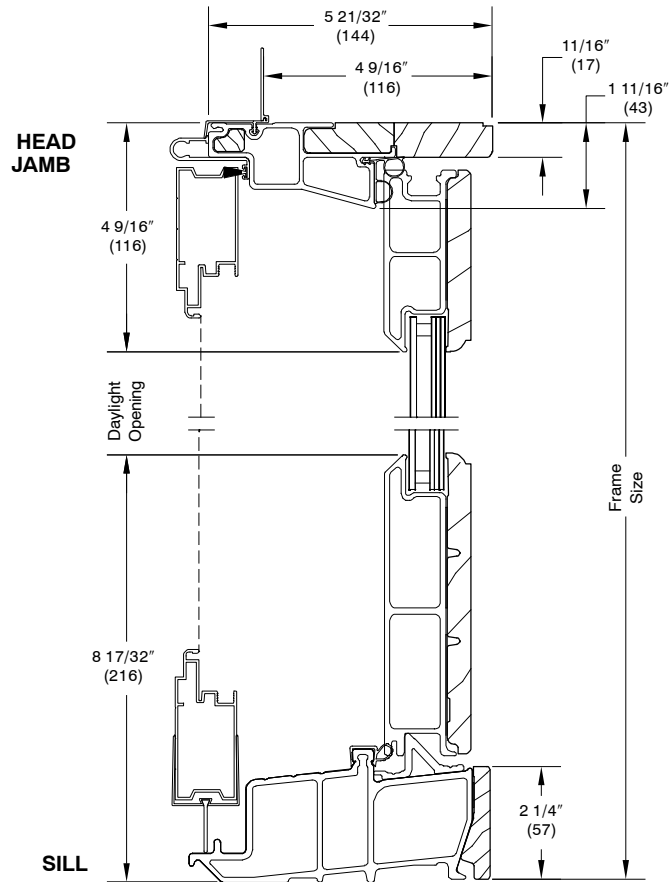
Scale 3" = 1'-0"



SINGLE PANEL JAMB - O STATIONARY

SECTION DETAILS - 4 9/16" JAMB XXR OPERATOR- IMPACT

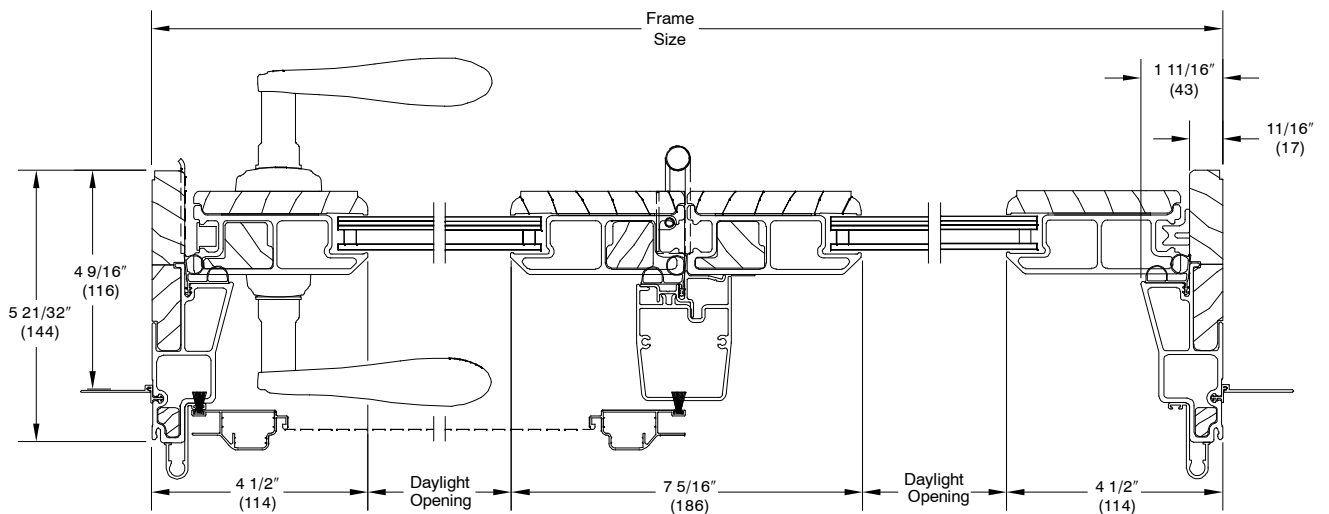
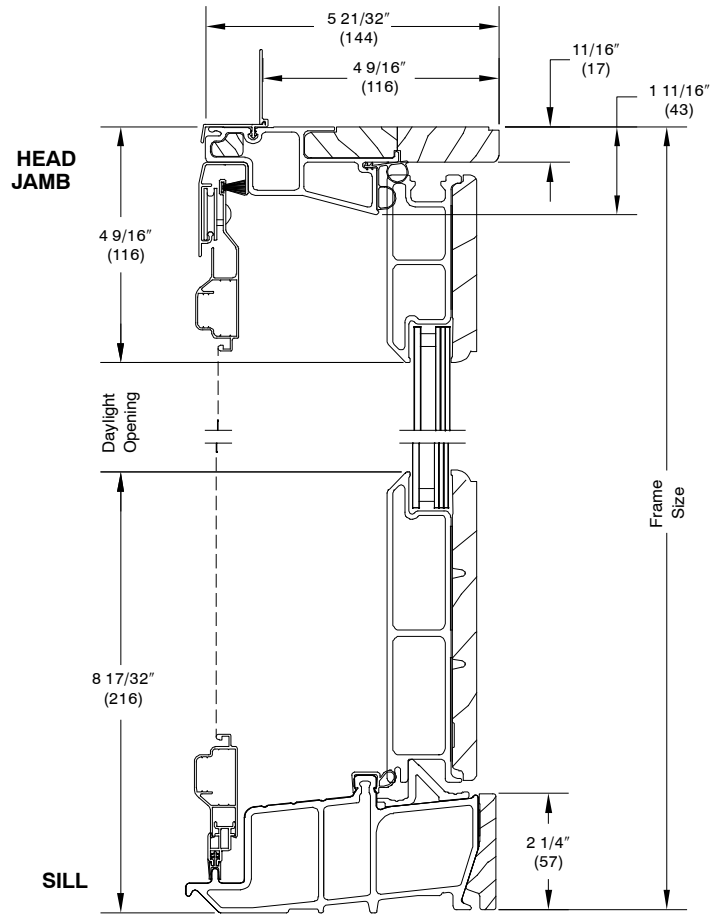
Scale 3" = 1'-0"



2 PANEL JAMB - XXR

SECTION DETAILS - 4 9/16" JAMB - XO OPERATOR IMPACT

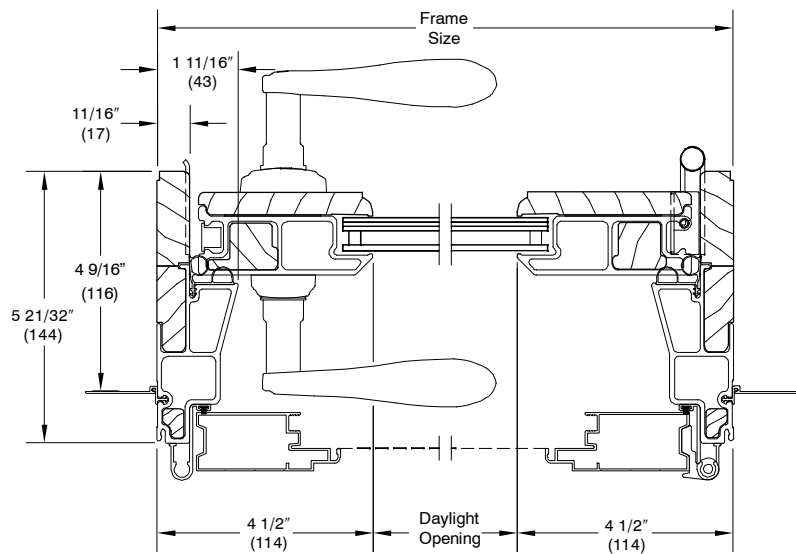
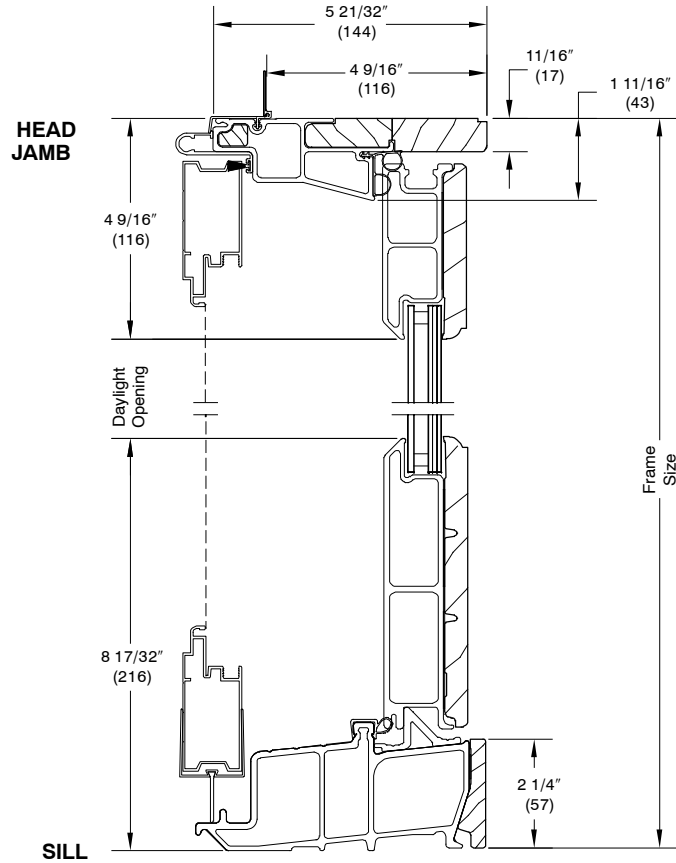
Scale 3" = 1'-0"



2 PANEL JAMB - XO

SECTION DETAILS - 4 9/16" JAMB - SINGLE PANEL OPERATOR IMPACT

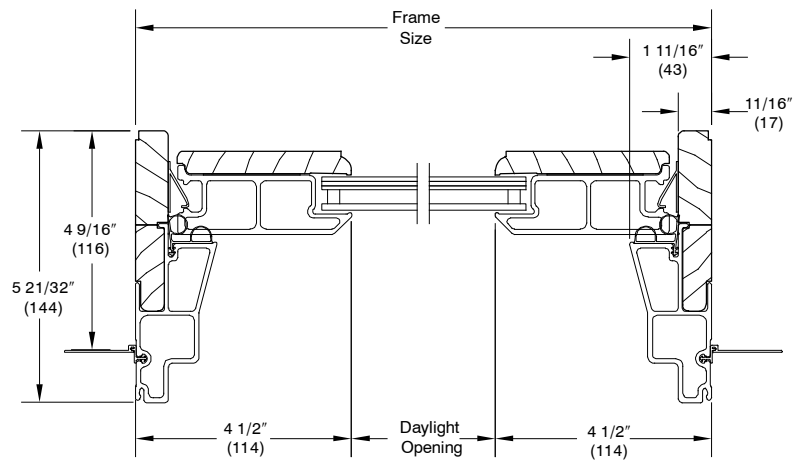
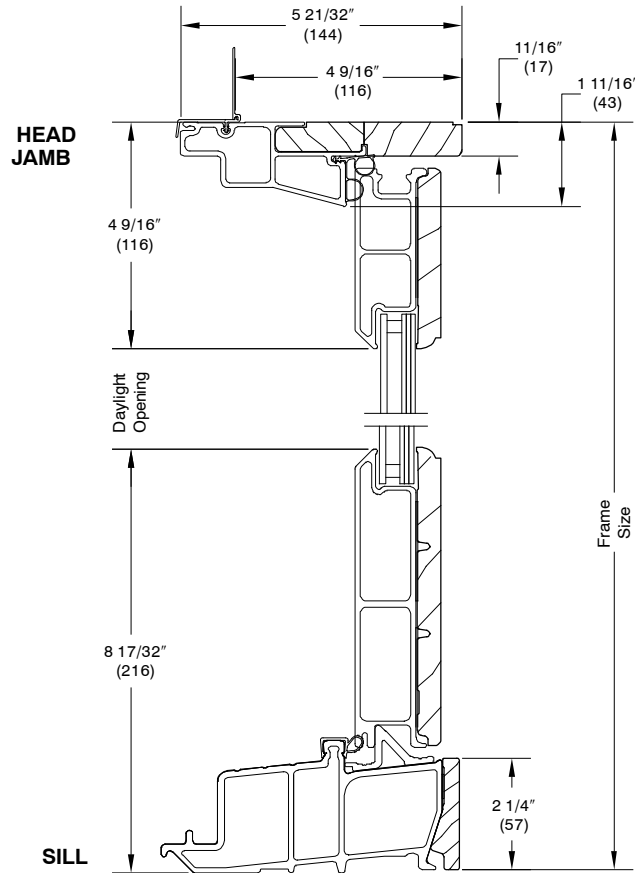
Scale 3" = 1'-0"



SINGLE PANEL JAMB - X OPERATOR

SECTION DETAILS - 4 9/16" JAMB - SINGLE PANEL STATIONARY IMPACT

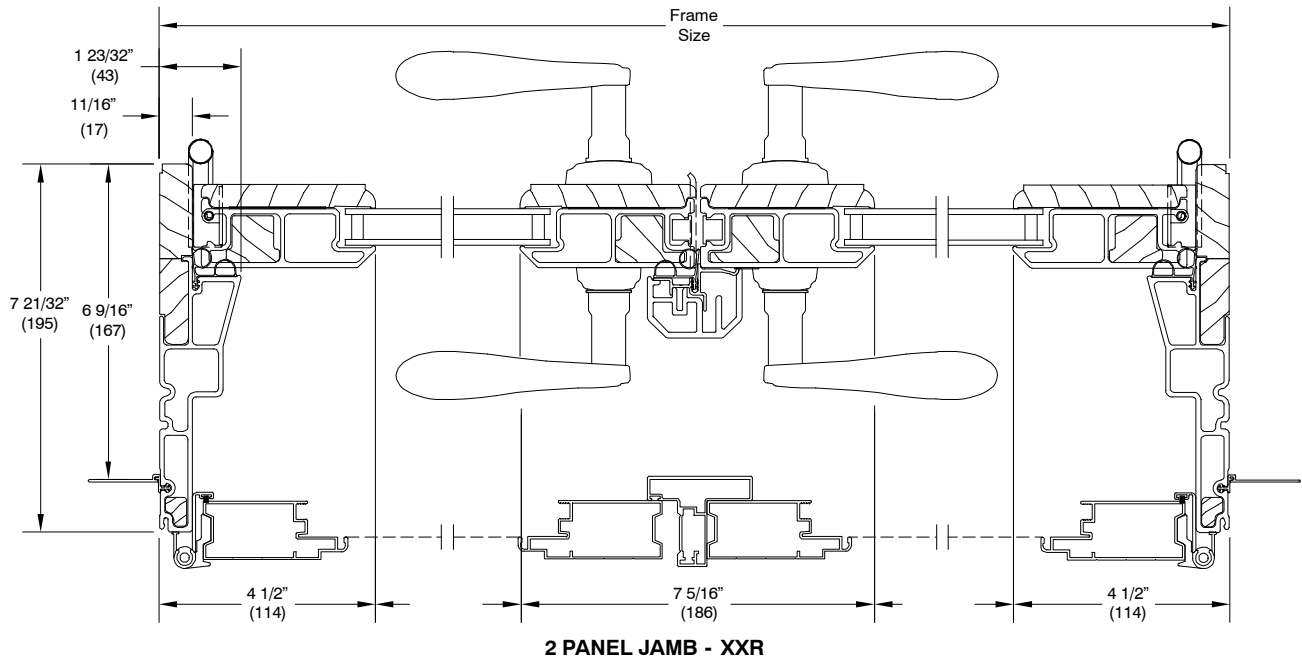
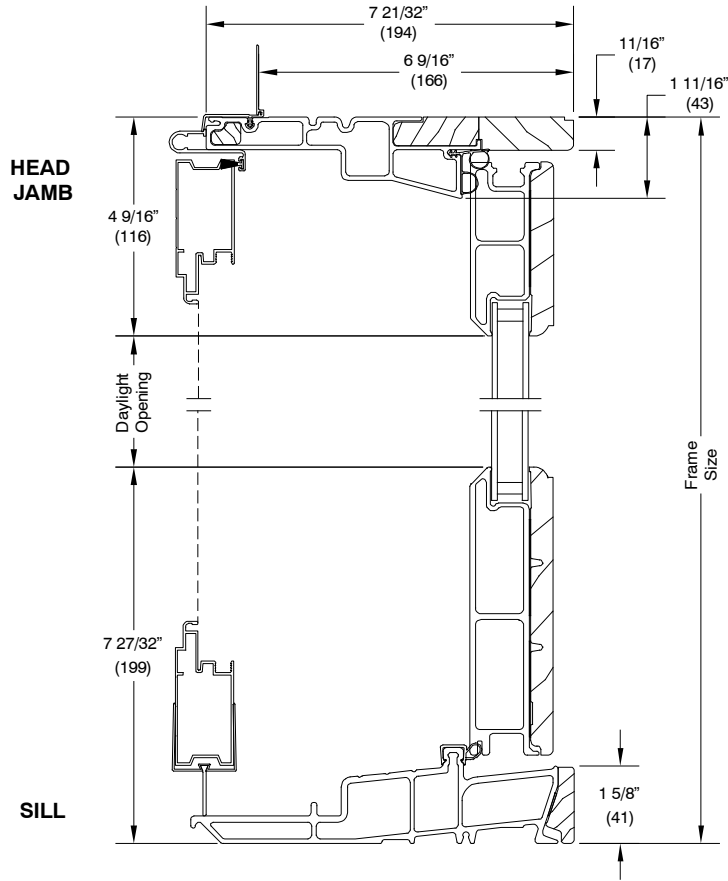
Scale 3" = 1'-0"



SINGLE PANEL JAMB - O STATIONARY

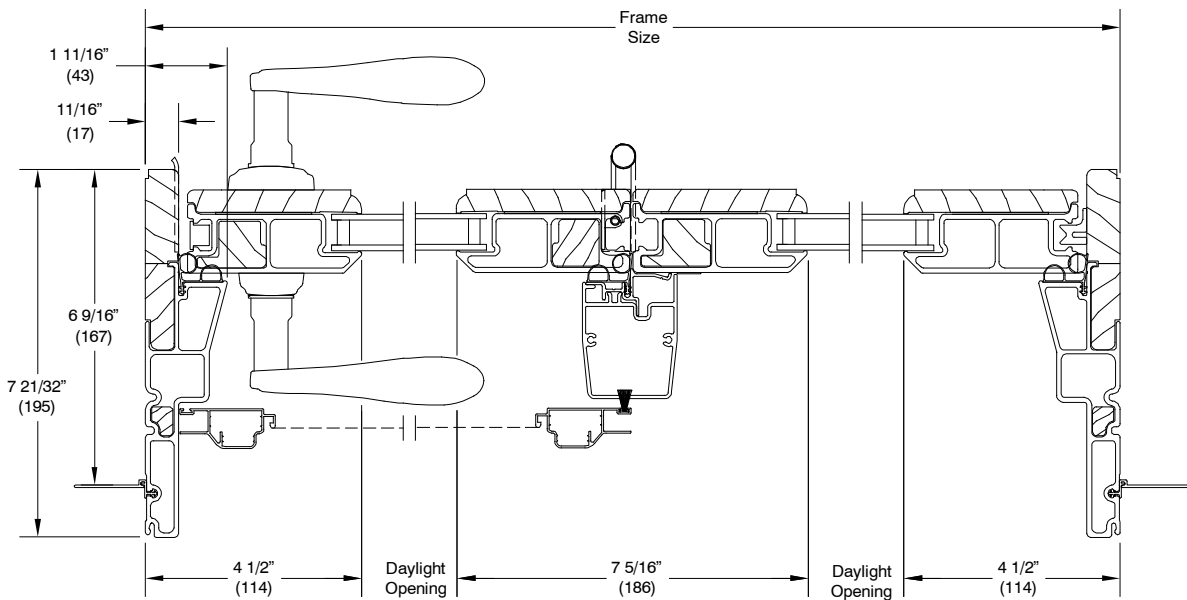
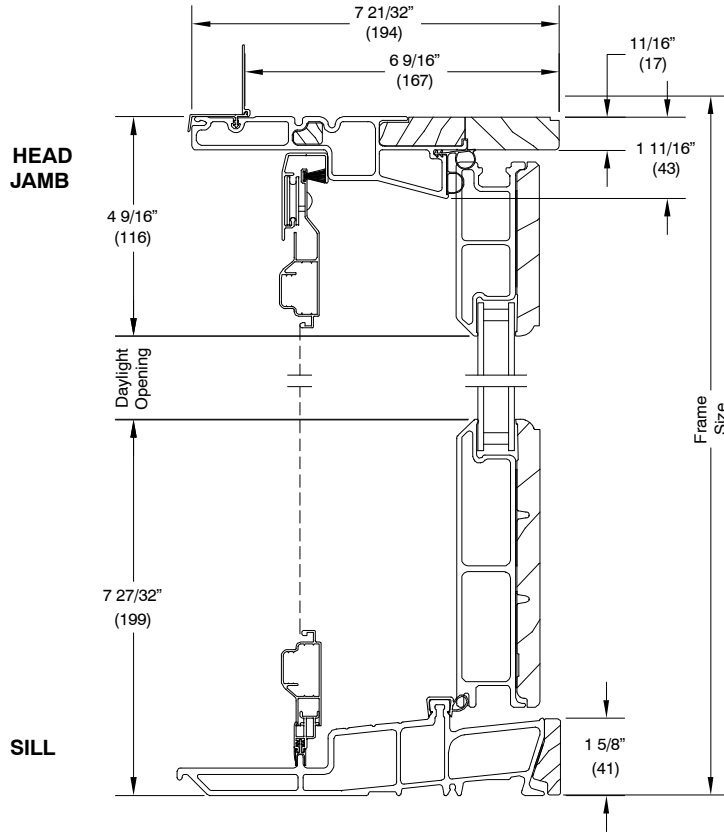
SECTION DETAILS - 6 9/16" JAMB - XXR OPERATOR

Scale 3" = 1'-0"



SECTION DETAILS - 6 9/16" JAMB - XO OPERATOR

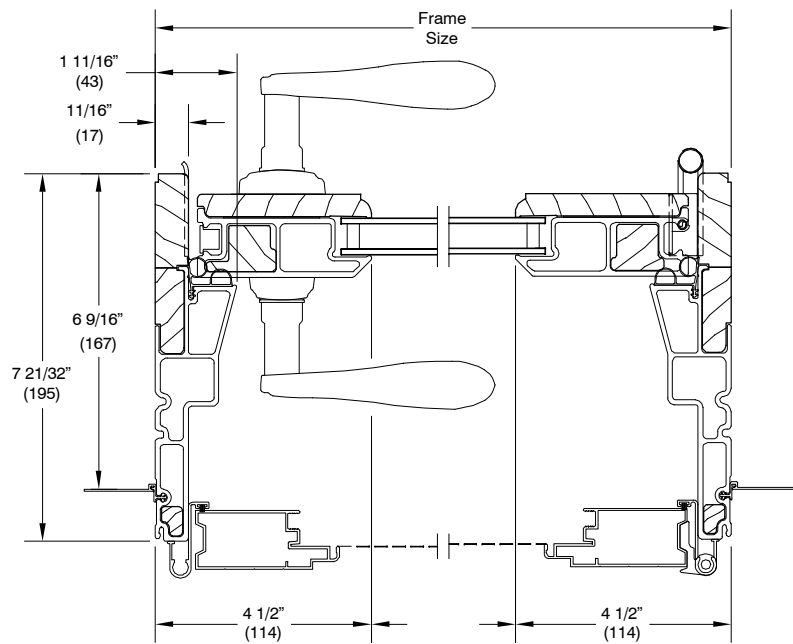
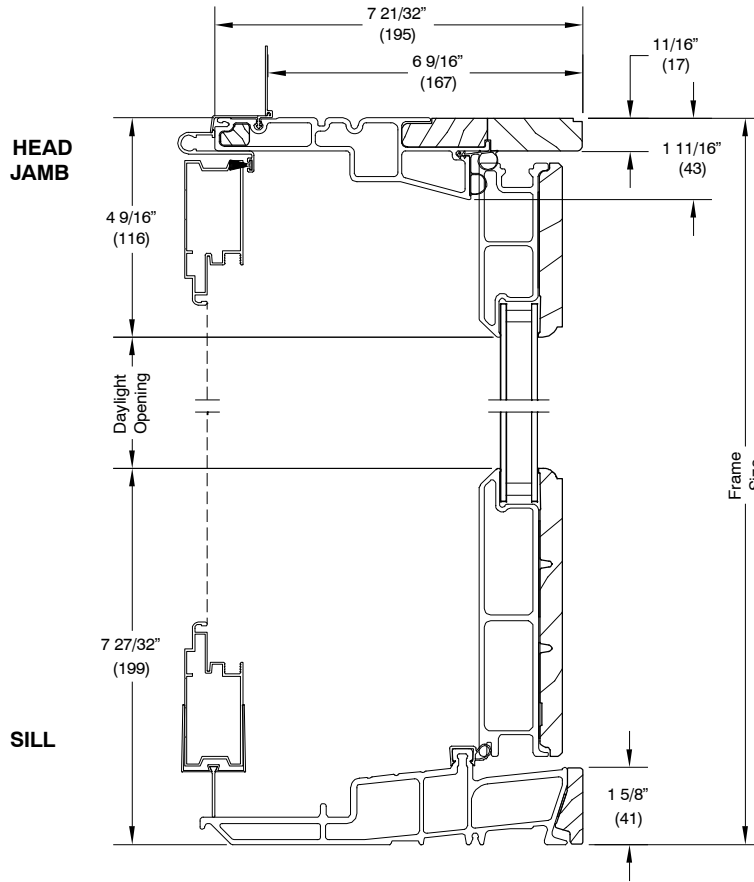
Scale 3" = 1'-0"



2 PANEL JAMB - XO

SECTION DETAILS - 6 9/16" JAMB - X - OPERATOR

Scale 3" = 1'-0"

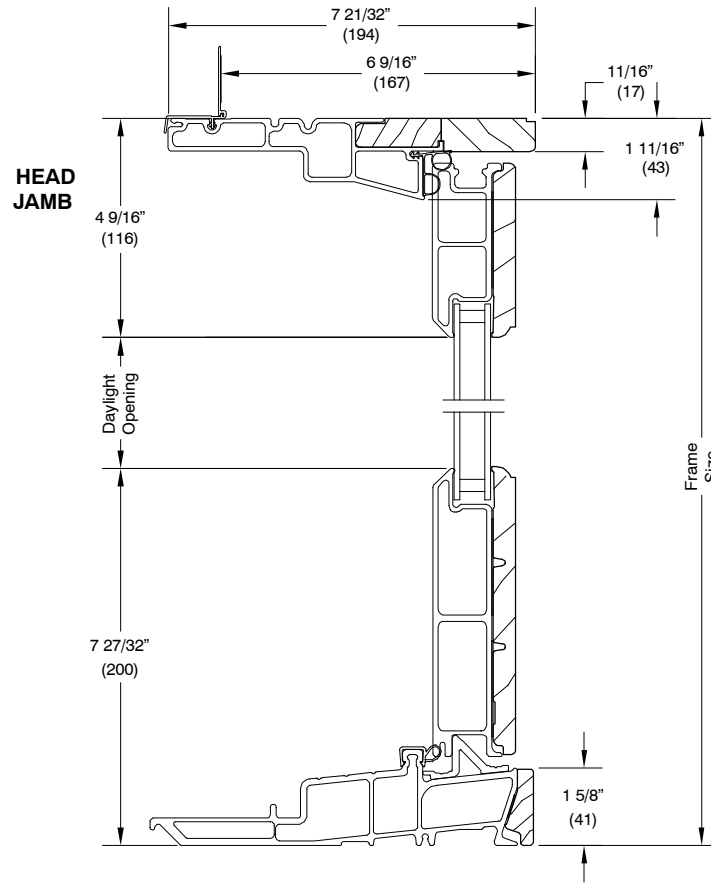


SINGLE PANEL JAMB - X R

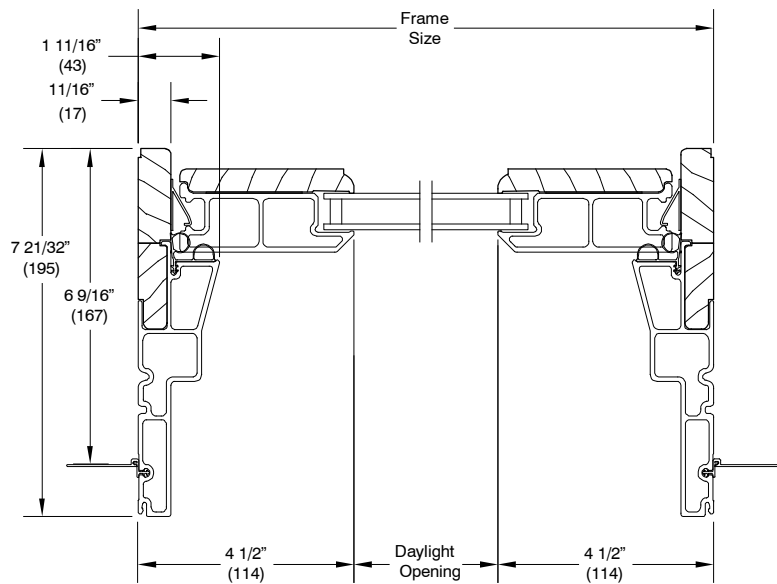
NOTE: Swinging screen available on single panel operation X and 2 panel operation XX.

SECTION DETAILS - 6 9/16" JAMB - STATIONARY

Scale 3" = 1'-0"



SILL

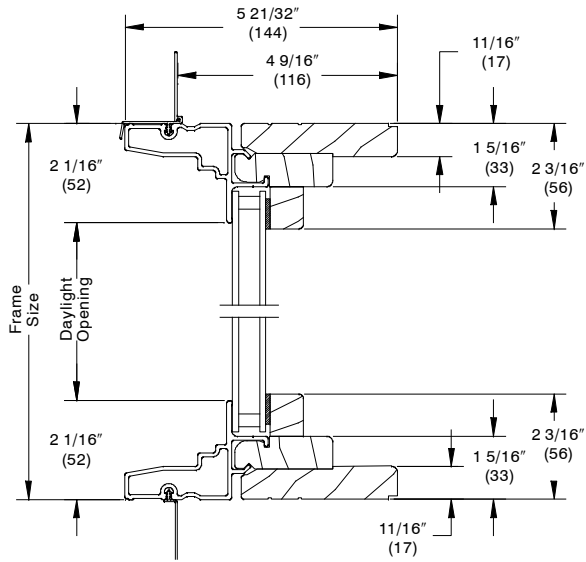


SINGLE PANEL JAMB - O STATIONARY

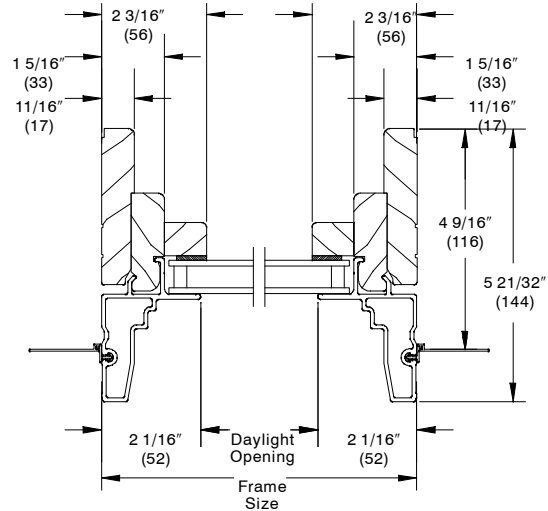
SECTION DETAILS - TRANSOM STAND ALONE - 4 9/16" AND 6 9/16" JAMB

Scale 3" = 1'-0"

DIRECT GLAZE TRANSOM - 4 9/16" Jamb

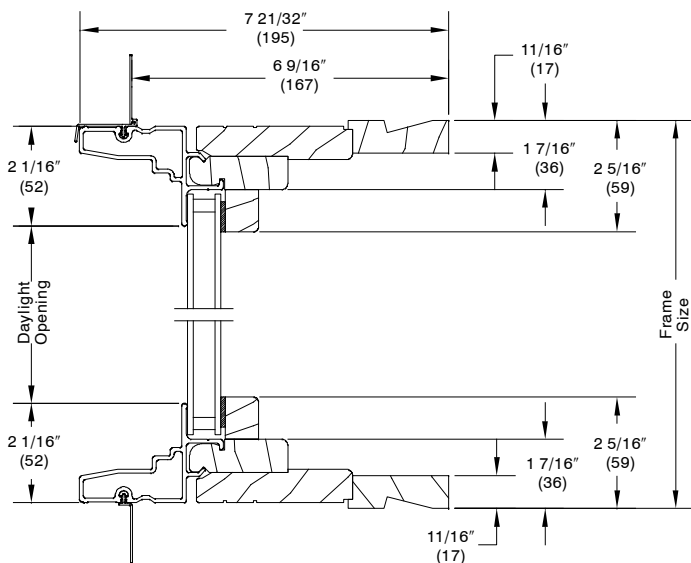


Head Jamb and Sill

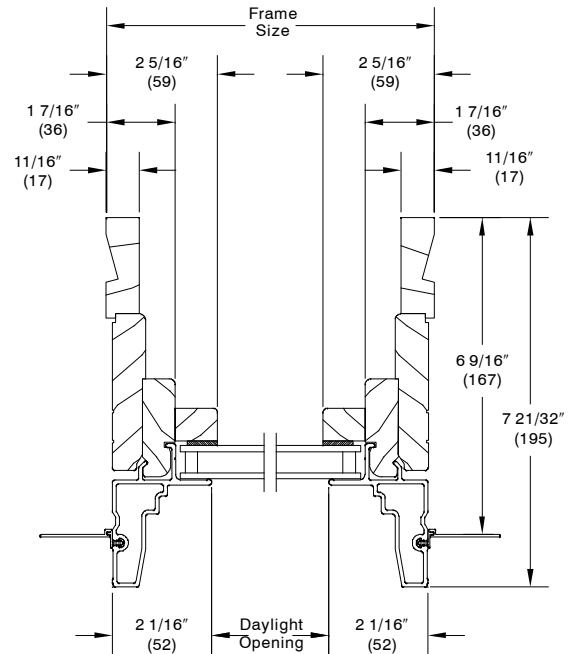


Jamb

DIRECT GLAZE TRANSOM - 6 9/16" Jamb



Head Jamb and Sill

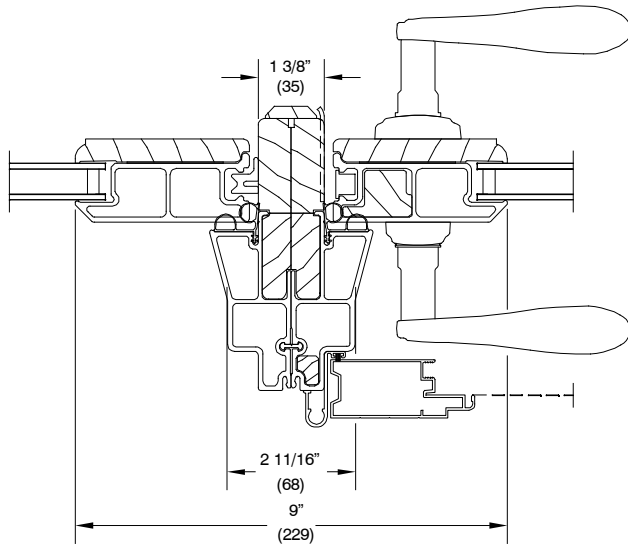


Jamb

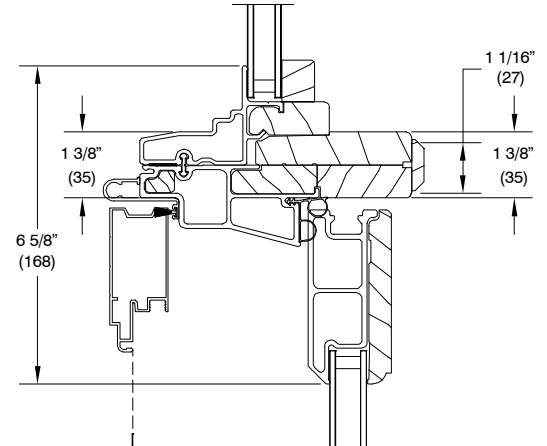
SECTION DETAILS - MULLIONS

Scale 3" = 1'-0"

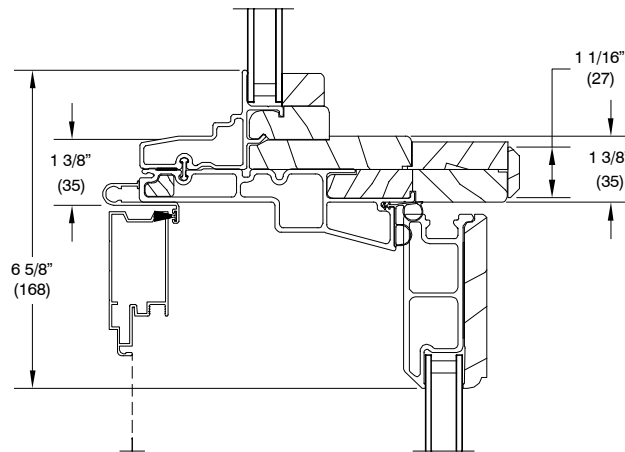
MULLIONS



**VERTICAL MULLION
 O-X OPERATOR**



**DIRECT GLAZE TRANSOM
 OVER INSWING FRENCH DOOR - 4 9/16" Jamb**

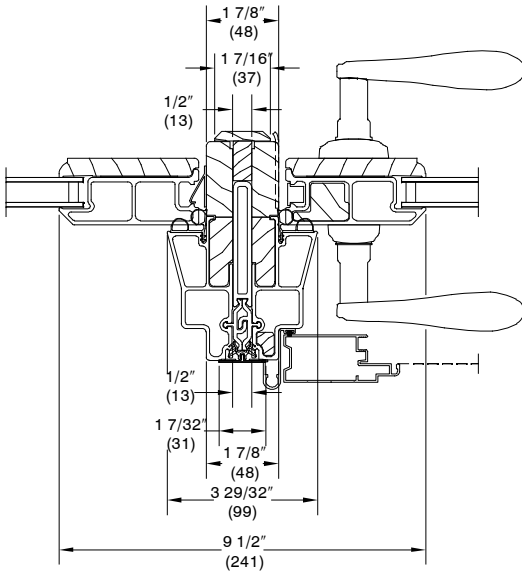


**DIRECT GLAZE TRANSOM
 OVER INSWING FRENCH DOOR - 6 9/16" Jamb**

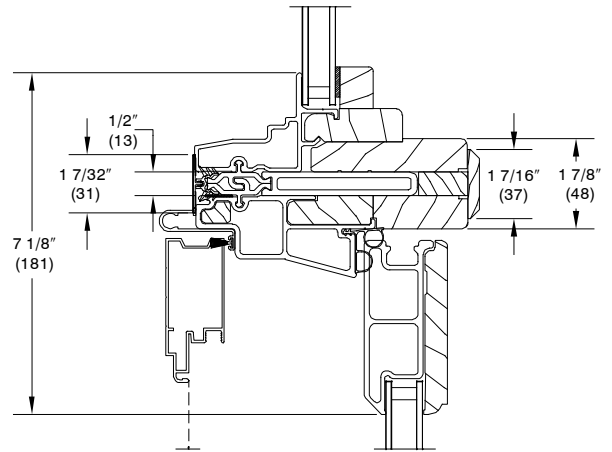
SECTION DETAILS - MULLIONS WITH 1/2" MRF

Scale 3" = 1'-0"

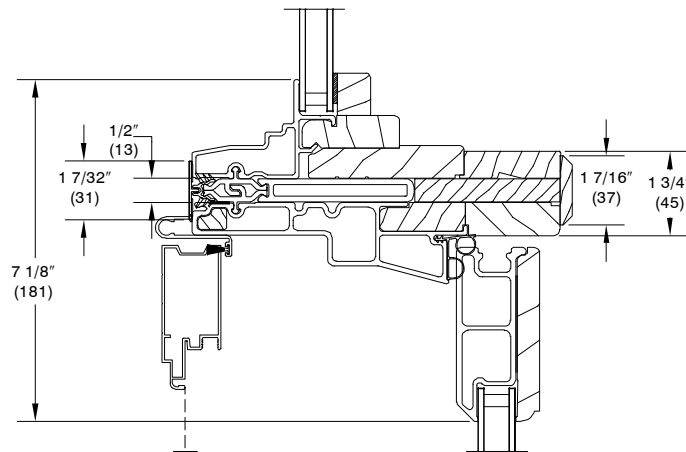
MULLIONS



**VERTICAL MULLION WITH 1/2" MRF
 O-X OPERATOR**



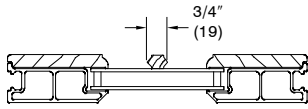
**DIRECT GLAZE TRANSOM
 OVER INSWING FRENCH DOOR WITH 1/2" MRF -
 4 9/16" Jamba**



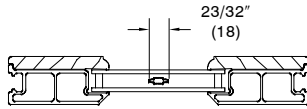
**DIRECT GLAZE TRANSOM
 OVER INSWING FRENCH DOOR WITH 1/2" MRF -
 6 9/16" Jamba**

DIVIDED LITE OPTIONS

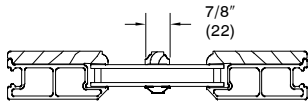
DIVIDED LITE OPTIONS



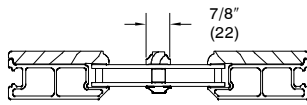
WOOD REMOVABLE GRILLE



ALUMINUM GRILLE BETWEEN GLASS

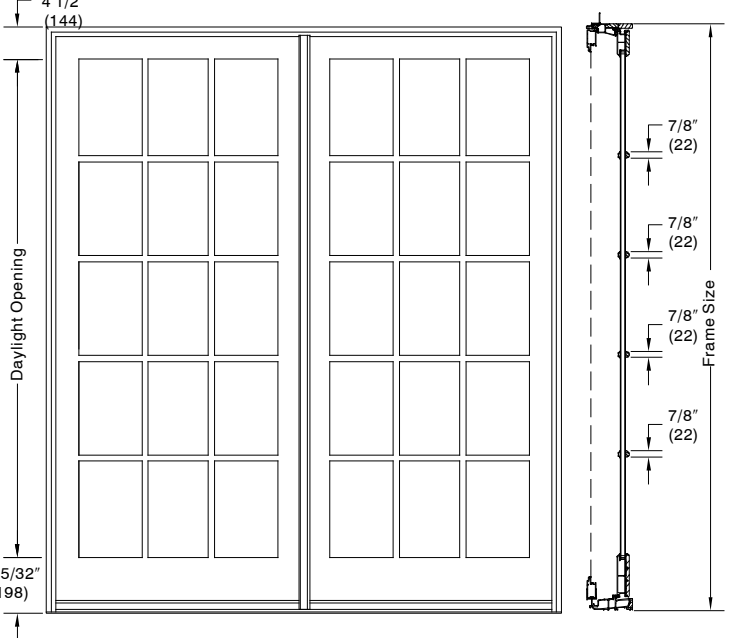
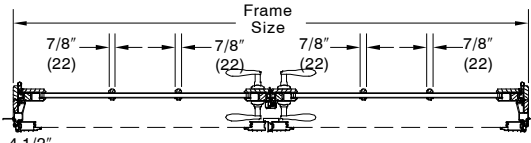


WOOD SIMULATED DIVIDED LITE



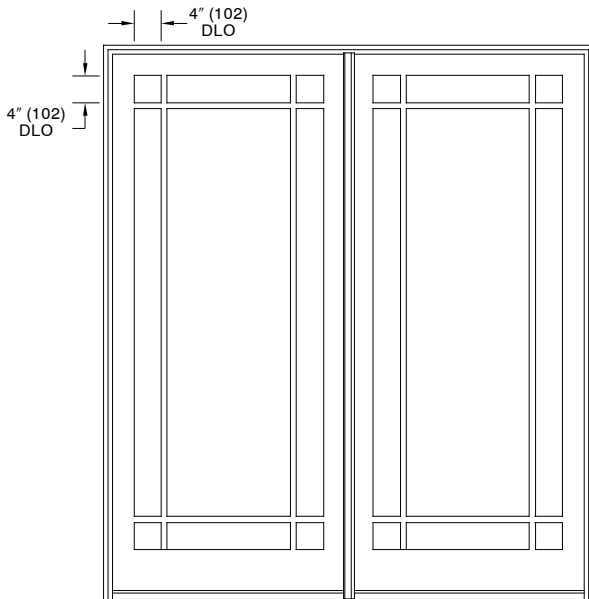
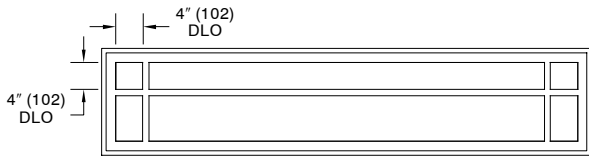
WOOD SIMULATED DIVIDED LITE WITH SPACER BAR

RECTANGLE SDL EXAMPLE SHOWN



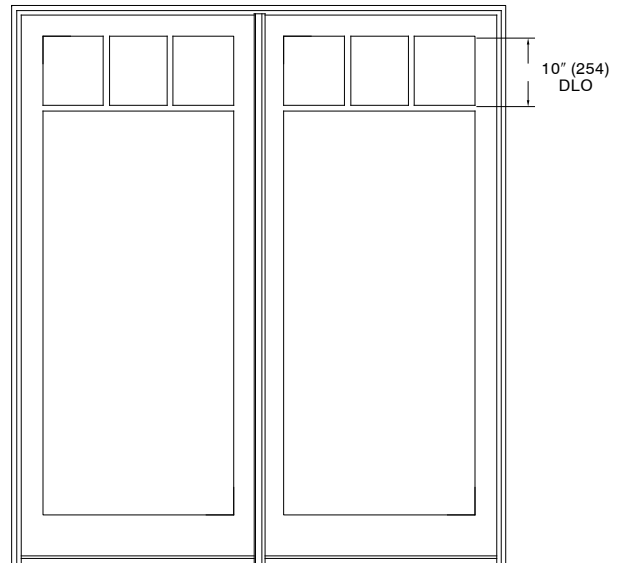
GBG or SDL (SDL SHOWN)

* 6 lite prairie lite cuts on IIFDDG 7216 or IIFDDG 10716 due to height limitations. GBGs not available in IIFDDG 10716.



COTTAGE LITE CUT

* Available in GBG and SDL.



NOTE: * Optional 9 lite per panel Prairie cut GBG or SDL.

Conversion Formula:

$$\frac{\text{Total DLO} - \text{Total bar width}}{\text{Number of lites}} = \text{Individual DLO}$$

NOTE: GBGs are not available on Impact IZ3 units.

DIVIDED LITE OPTIONS
Default Rectangular Lite Pattern per Panel - GBG, SDL, Wood Grille

Standard CN Height	Standard CN Width					
	26	28	30	50	54	60
65	3W5H	3W5H	3W5H	3W5H	3W5H	3W5H
68	3W5H	3W5H	3W5H	3W5H	3W5H	3W5H
70	3W5H	3W5H	3W5H	3W5H	3W5H	3W5H
80	3W6H	3W6H	3W6H	3W6H	3W6H	3W6H

Optional Standard Cottage Lite Pattern per Panel - GBG, SDL

Standard CN Height	Standard CN Width					
	26	28	30	50	54	60
All Heights	4- Lite	4- Lite	4- Lite	4- Lite	4- Lite	4- Lite

INSWING FRENCH DOOR DIRECT GLAZE TRANSOM
Default Rectangular Lite Pattern per Panel - GBG, SDL, Wood Grille

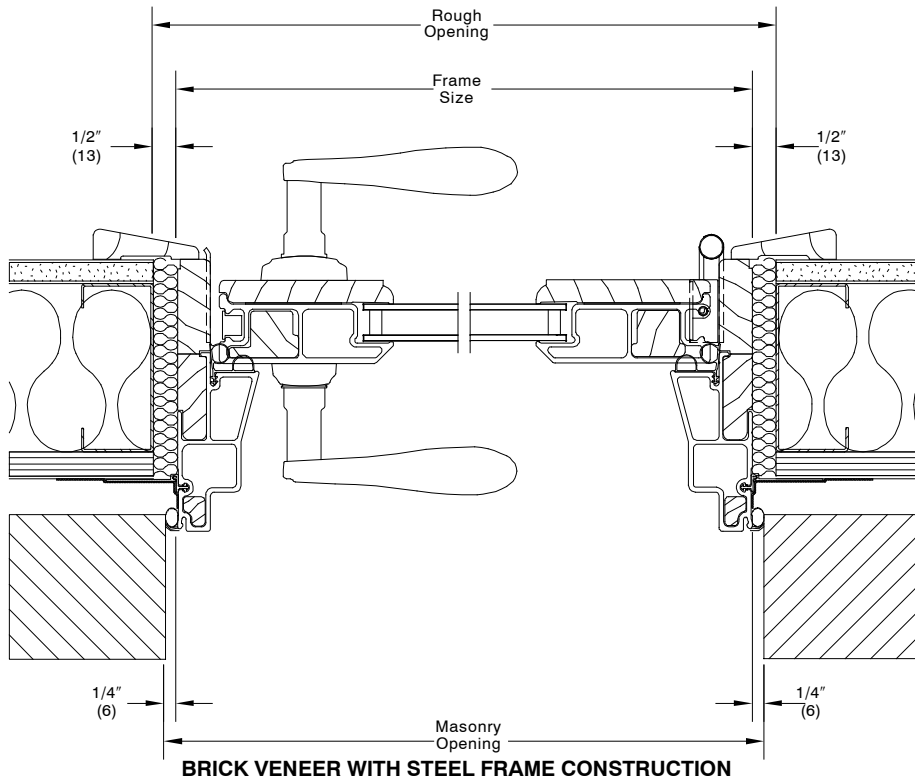
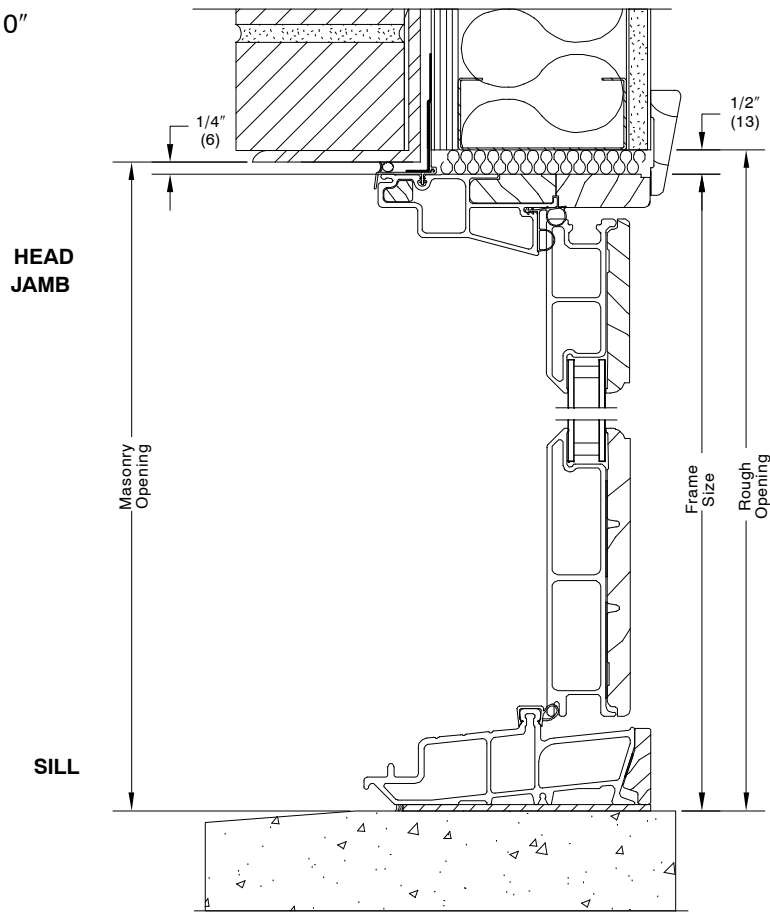
Standard CN Height	Standard CN Width		
	36	72	108
16	3W1H	6W1H	9W1H

Notes:

- Wood Grilles for special size units will default to the next smaller standard size lite pattern. Wood Grilles are not available in lite patterns other than the Wood Grille patterns listed.
- Rectangle GBGs for special size units will default to the next smaller standard size lite pattern. Also available will be Prairie patterns, Cottage patterns, and customer specified equal rectangular lite patterns.
- Rectangular SDL for special size units will default to the next smaller standard size lite pattern. Also available will be Prairie patterns, Cottage patterns, and customer specified equal rectangular lite patterns.
- Prairie GBG and SDL available in 9 lite and 6 lite top, bottom, left, and right patterns.
- Cottage GBGs and SDL for special sizes units will default to the next smaller standard size lite pattern. Cottage GBGs and SDL are also available in customer selected lite patterns.
- Direct Glaze Transoms with GBGs or SDL will only align with the cut of the door it is intended to be mulled with and may not have equally spaced lites unless otherwise indicated. For alternative GBG or SDL lite alignment, order a Direct Glaze Rectangle with the divided lite option.
- An IIFDDG 3616 with GBGs or SDL will align over an IIFD CN30 width only.
- An IIFDDG 7216 with GBGs or SDL will align over an IIFD CN60 width only.
- An IIFDDG 10816 is available field- mulled or stand- alone only. Rectangular GBGs or SDL in a field- mulled IIFDDG 10816 will align over an IIFD CN30/60 or CN 60/30 width assembly only. Rectangular GBGs or SDL in a stand- alone IIFDDG 10816 will be equally spaced.
- Round Top lite patterns will not align with Inswing French Door optional GBGs or SDL lite cuts.
- Maximum number of lites wide and high for equal lite SDL option is 11 lites.
- Minimum DLO measurement for equal lite SDL option is 4" (102) and will be validated by OMS.
- Minimum DLO measurement for equal lite GBG option is 3" (76) and will be validated by OMS.
- Standard DLO measurement for Prairie GBG and SDL options is 4" (102). Special DLO corners are n/a.
- Standard DLO height measurement for Cottage SDL option is 10" (254). Minimum DLO height is 8" (203) for one high pattern. Minimum DLO height is 4" (102) for two high pattern
- Standard DLO height measurement for Cottage GBG option is 10" (254). Minimum DLO height is 3" (76) for both one and two high patterns.
- Simulated Rail: Rectangular, Prairie 6- Lite and 9- Lite SDL patterns are available with Simulated Rail.
- Simulated Rail: Custom ratio and specified DLO are available with Simulated Rail and will be validated by OMS.
- GBGs are not available on Impact IZ3.
- GBGs are not available with an unsupported bar length > 72".

INSTALLATION SUGGESTION

Scale 3" = 1'-0"



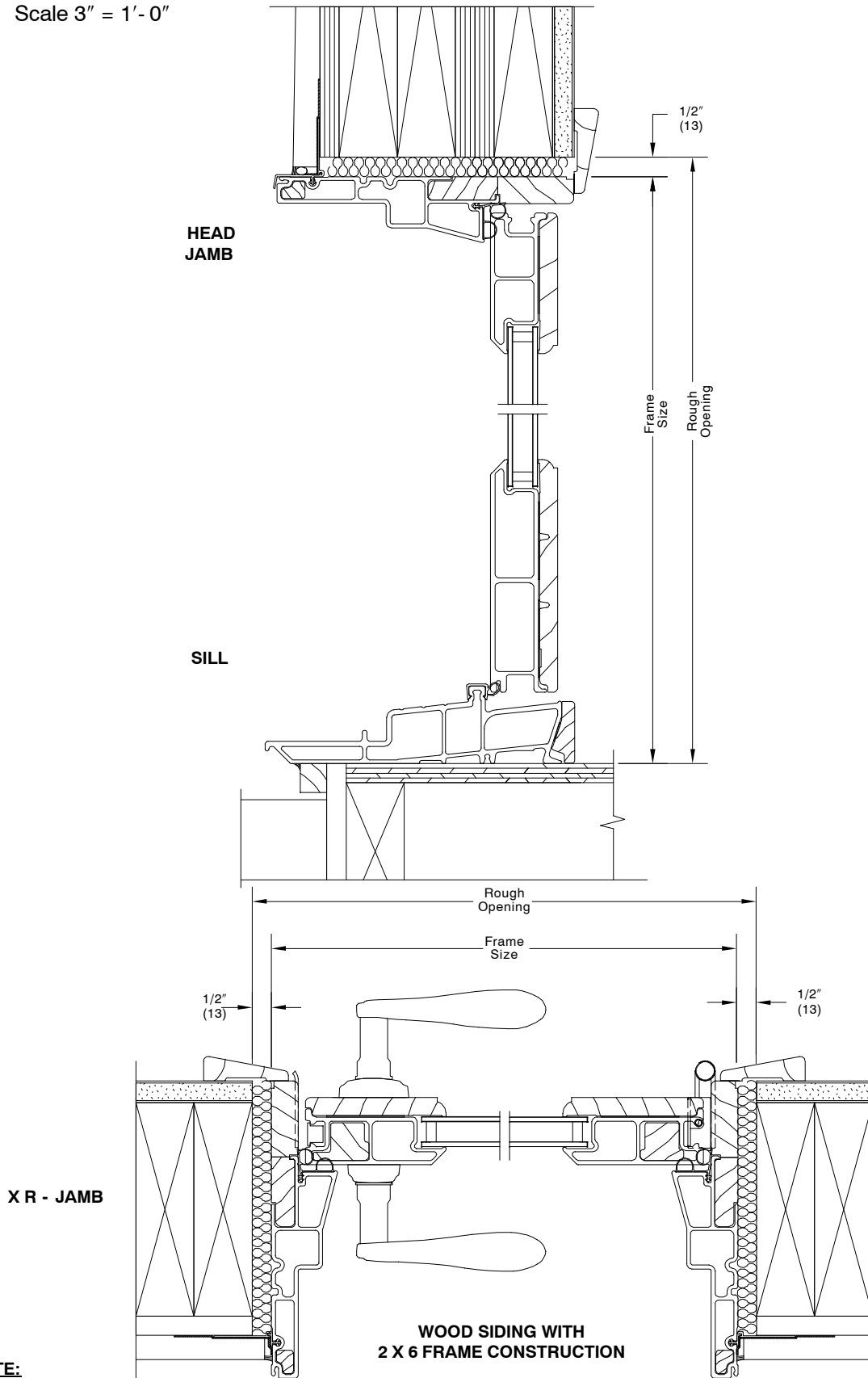
BRICK VENEER WITH STEEL FRAME CONSTRUCTION

NOTE:

The above wall sections represent typical wall conditions, these details are not intended as installation instructions. Please refer to the installation instructions provided with the purchased units.

INSTALLATION SUGGESTION

Scale 3" = 1'-0"

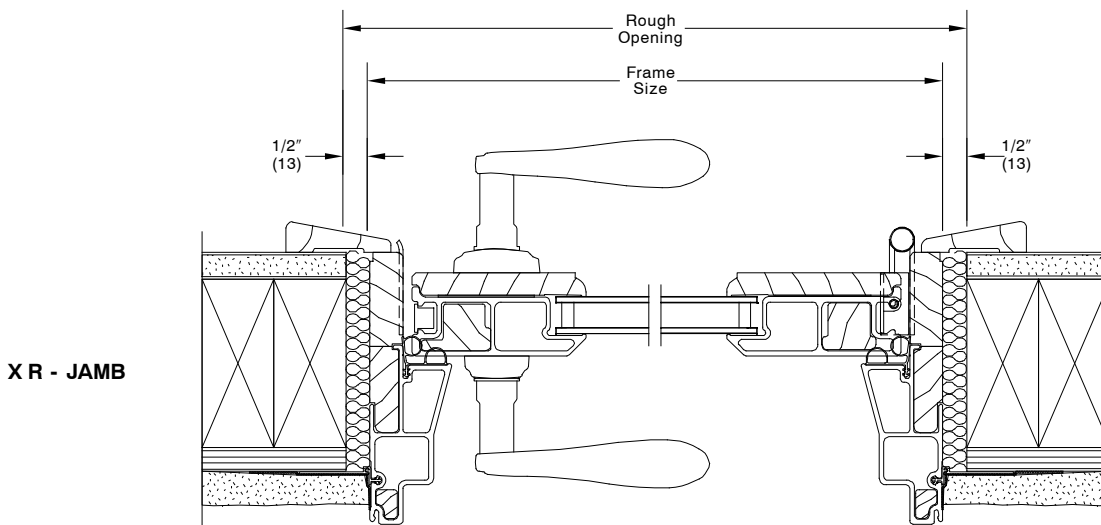
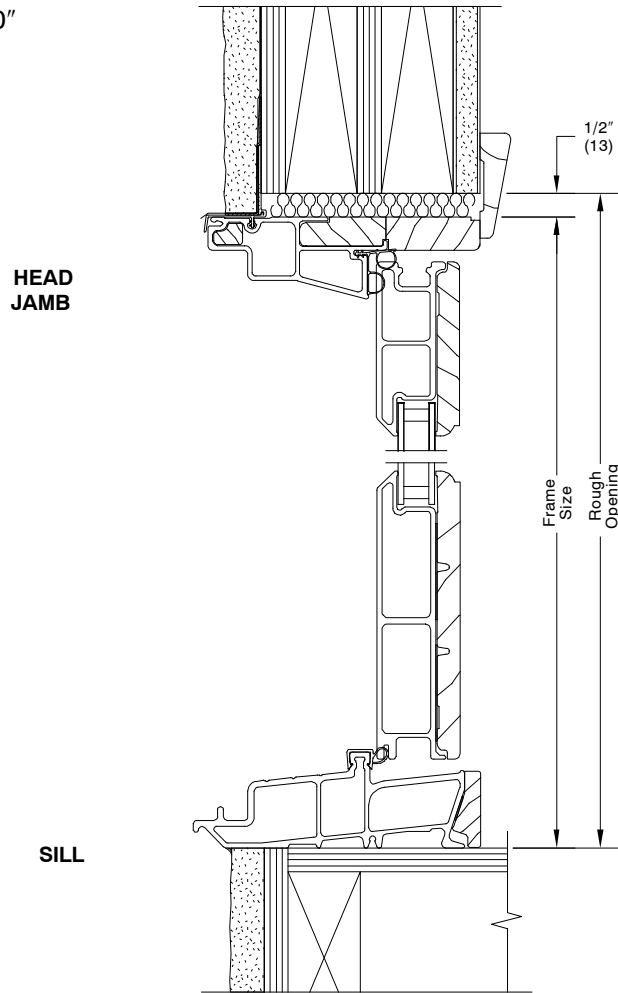


NOTE:

The above wall sections represent typical wall conditions, these details are not intended as installation instructions. Please refer to the installation instructions provided with the purchased units.

INSTALLATION SUGGESTION

Scale 3" = 1'-0"



STUCCO WITH 2X4 FRAME CONSTRUCTION

NOTE:

The above wall sections represent typical wall conditions, these details are not intended as installation instructions. Please refer to the installation instructions provided with the purchased units.