

DIRECT GLAZE DOOR TRANSOMS

1/0 HEIGHT (1/2 AND 1/6 HEIGHTS SEE BELOW)

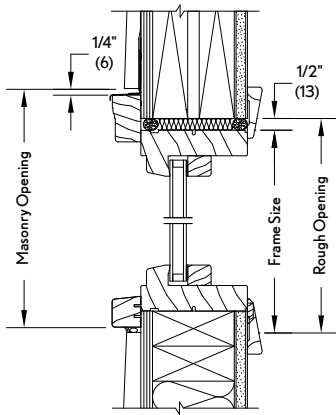
Clad MO (mm)	2-1 15/16 (659)	2-7 15/16 (811)	2-9 15/16 (862)	3-1 15/16 (964)	3-7 15/16 (1116)	5-1 1/8 (1553)
Wood MO (mm)	2-4 9/16 (726)	2-10 9/16 (878)	3-0 9/16 (929)	3-4 9/16 (1030)	3-10 9/16 (1183)	5-3 3/4 (1619)
RO (mm)	2-2 7/16 (672)	2-8 7/16 (824)	2-10 7/16 (875)	3-2 7/16 (976)	3-8 7/16 (1129)	5-1 5/8 (1565)
FS (mm)	2-1 7/16 (646)	2-7 7/16 (799)	2-9 7/16 (849)	3-1 7/16 (951)	2-9 7/16 (1103)	5-0 5/8 (1540)
DLO (mm)	1-9 1/2 (546)	2-3 1/2 (699)	2-5 1/2 (749)	2-9 1/2 (851)	3-3 1/2 (1003)	4-8 11/16 (1440)

1-1/4 (311)						
1-2 1/4 (362)	2010	2610	2810	3010	3610	5010
1-1/2 (318)	2012	2612	2812	3012	3612	5012
1-0 (305)	2016	2616	2816	3016	3616	5016
0-8 1/16 (205)						

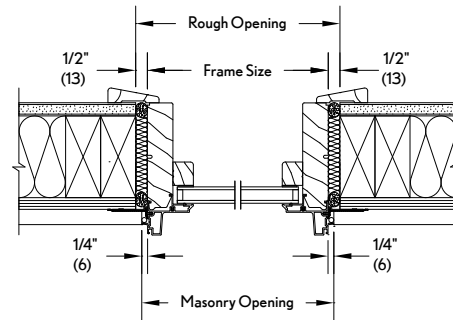
Clad MO (mm)	5-5 1/8 (1654)	6-1 1/8 (1857)	7-1 1/8 (2161)	8-1 1/8 (2467)
Wood MO (mm)	5-7 3/4 (1721)	6-3 3/4 (1924)	7-3 3/4 (2229)	8-3 3/4 (2534)
RO (mm)	5-5 5/8 (1667)	6-1 5/8 (1870)	7-1 5/8 (2175)	8-1 5/8 (2480)
FS (mm)	5-4 5/8 (1641)	6-0 5/8 (1845)	7-0 5/8 (2149)	8-0 5/8 (2454)
DLO (mm)	5-0 11/16 (1541)	5-8 11/16 (1745)	6-8 11/16 (2049)	7-8 11/16 (2354)

1-1/4 (311)				
1-2 1/4 (362)	5410	6010	7010	8010
1-1/2 (318)	5412	6012	7012	8012
1-0 (305)	5416	6016	7016	8016
0-8 1/16 (205)				

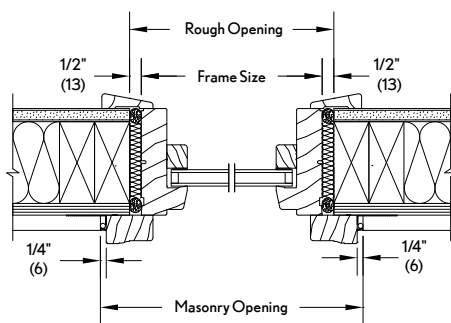
CONSTRUCTION DETAILS



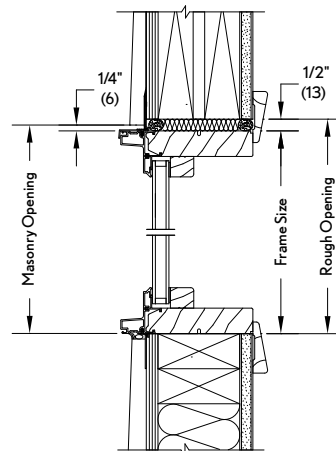
WOOD HEAD JAMB AND SILL - DIRECT GLAZE



CLAD JAMB - DIRECT GLAZE



WOOD JAMB - DIRECT GLAZE



CLAD HEAD JAMB AND SILL - DIRECT GLAZE

1-2 AND 1-6 HEIGHTS:		
	1-2 Height	1-6 Height
Clad MO (mm)	1-2 1/4 (362)	1-6 1/4 (464)
Wood MO (mm)	1-4 1/4 (413)	1-8 1/4 (514)
RO (mm)	1-2 1/2 (368)	1-6 1/2 (470)
FS (mm)	1-2 (356)	1-6 (457)
DLO (mm)	0-10 1/16 (256)	1-2 1/16 (357)

- Please contact your local Marvin® representative for masonry openings that include casings and subsills.
- * Back rabbet casing shown. Non-back rabbet casing used on Wood Ultimate Inswing and Outswing French Doors