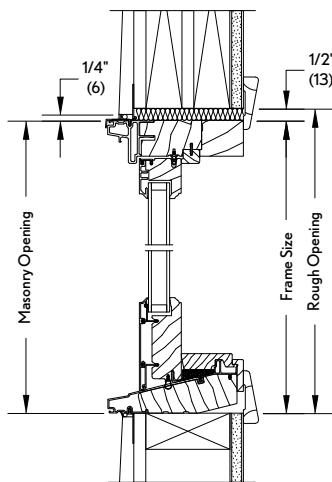


CLAD ULTIMATE DOUBLE HUNG ROUND TOP - NEXT GENERATION

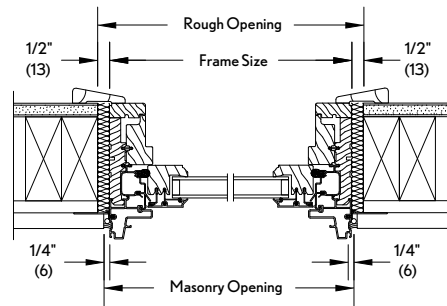
RT6 PICTURE EYEBROW ABOVE SPRINGLINE

RO (mm)	3-6 1/4 (1073)	4-2 1/4 (1276)	4-6 1/4 (1378)	5-2 1/4 (1581)	5-10 1/4 (1784)
RO Rad. (mm)	3-4 1/2 (1029)	3-4 1/2 (1029)	4-6 1/2 (1384)	6-0 1/2 (1842)	6-0 1/2 (1842)
6-9 47/64 (2076) 6-3 25/32 (1925)					
7-1 47/64 (2177) 6-7 25/32 (2026)					
7-9 47/64 (2381) 7-3 25/32 (2230)					
8-1 47/64 (2482) 7-7 25/32 (2331)					
RO (mm)	8-0 31/64 (2451)	8-0 31/64 (2451)	7-11 1/64 (2414)	7-10 27/32 (2409)	
RO Spln. (mm)	7-3 3/4 (2229)	7-3 3/4 (2229)	7-3 51/64 (2230)	7-3 13/16 (2231)	
RO (mm)	8-4 31/64 (2552)	8-4 31/64 (2552)	8-3 1/64 (2515)	8-2 27/32 (2510)	
RO Spln. (mm)	7-7 3/4 (2330)	7-7 3/4 (2330)	7-7 51/64 (2331)	7-7 13/16 (2332)	
RO (mm)	7-0 31/64 (2146)	7-0 31/64 (2146)	6-11 1/64 (2109)	6-10 27/32 (2104)	7-0 7/8 (2516)
RO Rad. (mm)	6-3 3/4 (1924)	6-3 3/4 (1924)	6-3 51/64 (1925)	6-3 13/16 (1926)	6-3 51/64 (1925)
RO (mm)	7-4 31/64 (2247)	7-4 31/64 (2247)	7-3 1/64 (2210)	7-2 27/32 (2206)	7-4 7/8 (2257)
RO Spln. (mm)	6-7 3/4 (2025)	6-7 3/4 (2025)	6-7 51/64 (2027)	6-7 13/16 (2027)	6-7 51/64 (2027)

CONSTRUCTION DETAILS



HEAD JAMB AND SILL - PICTURE



JAMB - PICTURE