

# All Ultrex Jamb Extension Installation

## Field Applied Instruction

- The following instruction details how to apply Integrity All Ultrex jamb extension in the field on units produced prior to September 2011.
- All Ultrex jamb extensions feature a barbed fastening system that attaches the jamb to the interior kerf of the frame.



### CAUTION

Always practice safety! Wear the appropriate eye, ear, and hand protection, especially when working with power tools.

*NOTE: Numbers listed in parentheses are metric equivalents in millimeters rounded to the nearest whole number.*



### Tip

To prevent penetrating the interior surface with a nail, angle the nail gun slightly towards the exterior surface.

### You Will Need to Supply

Safety glasses                      1 1/8" finish nails w/gun

### Installing 4 9/16" or 6 9/16" Jamb Extension

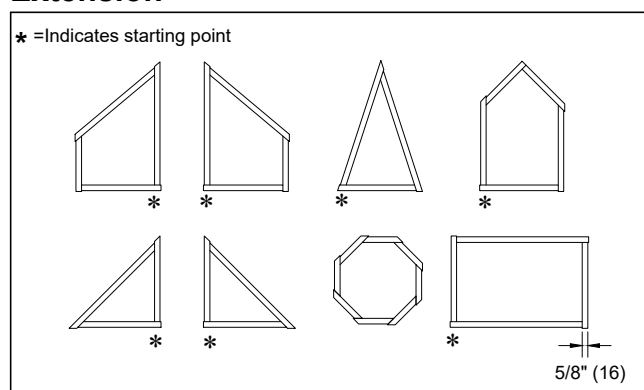


Figure 1

1. For jamb extension that is not pre-cut, cut each jamb extension 5/8" (16) shorter than the outside measurement of the frame. See figure 1.
2. Start at the corner indicated in figure 1 and press the jamb extension into place around the perimeter of the unit.

3. Use the finish nail gun to place two fasteners at each corner for 4 9/16" (116) extension or place three fasteners for 6 9/16" (167) extension. See figure 2.

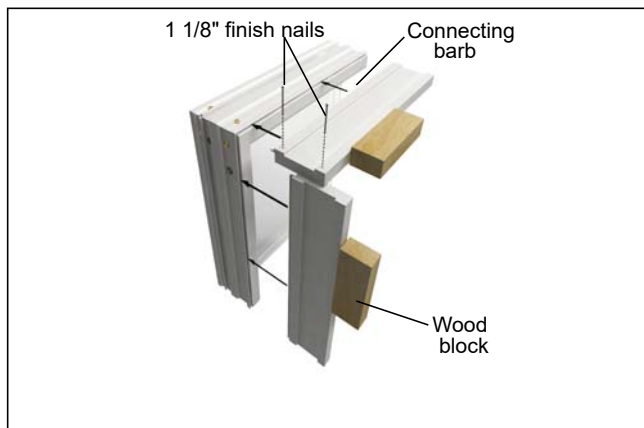


Figure 2