

# 2 1/4" Inswing French Door

## Field Assembly Instructions (OO Configuration)

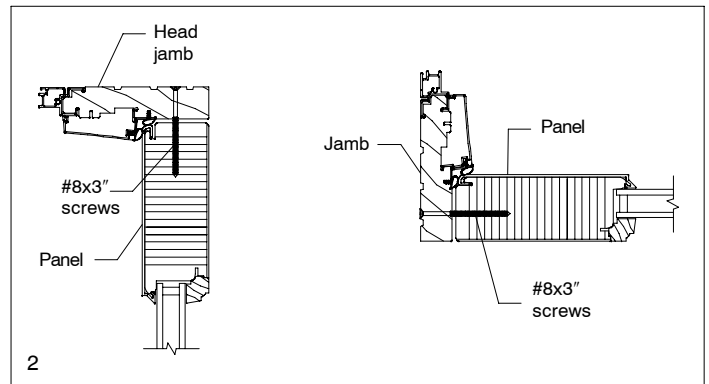
### BEFORE YOU BEGIN

**IMPORTANT!** Read these instructions thoroughly and account for all parts shipped before beginning to assemble your Stationary Door.

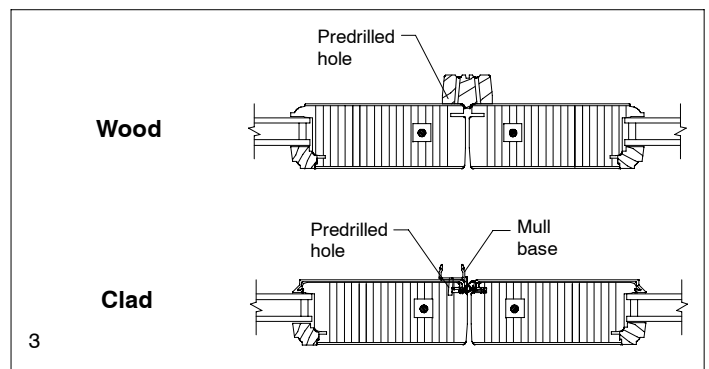
### YOU WILL NEED TO SUPPLY

|  |                       |
|--|-----------------------|
| Safety glasses                             | 1 1/2" finish nails   |
| 1/8" drill bit                             | Stiff putty knife     |
| Rubber mallet                              | Construction adhesive |
| Power drill/driver with Phillips head bit. |                       |

- Insert and tighten the #8 x 3" screws through the head and jamb into the door panels through the predrilled holes. See illustration 2.

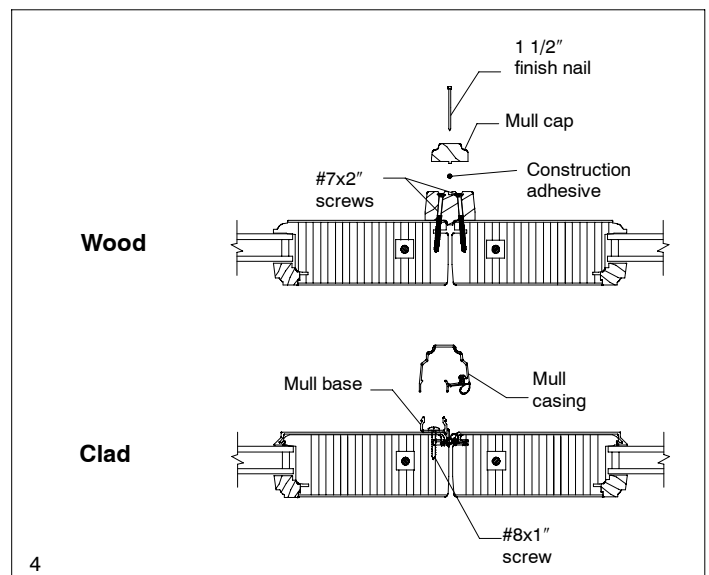


- Place mull base flush with the edge on one of the panels. Drill 1/8" pilot holes 3" in from each end and spaced 12" apart through the mull base and 1/2" into the door panel. See illustration 3.



- Wood Units** fasten mull base to the door panel using #7 x 2" screws. Apply a 1/8" bead of construction adhesive to the mull base, press and fasten mull cap using 1 1/2" finish nails. See illustration 4.

**Clad Units** fasten mull base to the door panel using #8 x 1" screws. Snap mull casing onto mull base.



| Qty | Description             | Usage                  |
|-----|-------------------------|------------------------|
| 1   | Door frame              |                        |
| 2   | Door panels             |                        |
| 24  | #8x3" screws            | Head jamb<br>Side jamb |
| 1   | Mull base               | Meeting stile          |
| 1   | Mull casing             | Meeting stile          |
| 20  | #7x2" screws            | (Wood units) Mull base |
| 10  | #8x2" truss head screws | (Clad units) Mull base |

**IMPORTANT:** Practice safety and obtain assistance in performing the following steps. The door panels are very heavy and awkward to handle. The door panels must be installed prior to securing the frame in the opening.

### ASSEMBLING THE UNIT

- Install panels from the interior, setting and aligning the sill bolts at the bottom of the panel with the holes in the sill. Tilt the panel up and into place. See illustration 1.

