

# Awaken and Marvin Skylight

---

Unit Features: Marvin Skylights.....	1
Unit Features: Awaken Skylights.....	2
Minimum and Maximum Guidelines .....	3
Standard Size Chart: Skylight .....	4
Standard Size Chart: Skylight Awaken Venting and Stationary .....	5
Certified Sizes and Ratings .....	6
Measurement Conversions: Marvin Skylight.....	7
Measurement Conversions: Marvin Venting and Stationary Awaken Skylight.....	8
Section Details: Skylight.....	9
Section Details: Awaken Venting and Stationary Skylight.....	11
Section Details: Awaken Venting Skylight.....	12



---

**Unit Features: Awaken Skylights**

Marvin Awaken Venting Skylight: SKLTAWKV

Marvin Awaken Stationary Skylight: SKLTAWKSTAT

**Frame and Sash:**

- Fiberglass reinforced pultrusion exterior sash
  - Available exterior colors: Ebony, Gunmetal.
- Fiberglass reinforced pultrusion interior with fiberglass and polymer reinforced frame covers
  - Available interior color: White
- Indoor air quality sensor measures interior temperature, humidity, and air quality

**Glass and Glazing:**

- XX" insulating glass with gas fill and thermal edge spacer bar technology
- Tempered exterior pane and an annealed laminated interior pane
- Glazing seal: Black silicone beading, exterior
- Black Stainless Steel Spacer Bar
- Glass Coatings: Low E3
- Gas fill: Argon
  - Capillary tubes are required for high altitude. Argon gas is not available for units that require capillary tubes.

**LED Lighting (optional):**

- Optional integrated LED system contains tunable cool and warm white LEDs (2200 K - 5500 K)
- Controlled by wall switch or Marvin app

**Interior Shade (optional):**

- Optional roller shade is attached to the interior of the frame
  - Available in blackout or sheen, white in color

**Weather Strip:**

- All weather strip is black.
- Foam filled bulb weather strip on all four sides between the frame and the sash, barbing into the sash
- A closed-cell TPV foam-wrapped weather strip compresses between the frame and the glass.

**Hardware (Awaken Venting Skylight only):**

- Hinges
  - Stainless Steel, 4 bar parallel hinges are installed on each jamb (2x) and sill (1x)
  - Hinges open to 3 3/4", controlled by hard stop on each hinge
- Venting Motor
  - Two chain drive motors are installed in the jambs
  - The motors lock the sash closes or open when not in operation
  - Each motor operates at 24VDC
- Manual operation is not available

**Screen (Awaken Venting Skylight only):**

- A pleated screen makes a continuous hoop between the sash and the frame and is minimally visible from the interior or exterior when the unit is open
- The screen does not impede upon the daylight opening (DLO) of the unit
- The screen is barbed into the sash and frame using a PVC clasp and ribbed barb

**Installation:**

- The unit features a reversable mounting flange, allowing for a deck or curb mount installation.
  - an optional flashing kit is available for shingle, metal roof coverings.

**Unit Features: Awaken Skylights**

Marvin Skylight: SKLT

**Frame:**

- Fiberglass and polymer reinforced extruded frame
  - Available exterior colors: Ebony, Gunmetal
  - Available interior color: White

**Glass and Glazing:**

- XX" insulating glass with gas fill and thermal edge spacer bar technology
- Tempered exterior pane and an annealed laminated interior pane
- Glazing seal: Black silicone beading, exterior
- Black Stainless-Steel Spacer Bar
- Glass coatings: Low E3
- Gas fill: Argon
- Capillary tubes are required for high altitude. Argon gas is not available for units that require capillary tubes

**Installation:**

- The unit features a reversible mounting flange, allowing for a deck or curb mount installation.
  - an optional flashing kit is available for shingle, metal rod coverings

**Minimum and Maximum Guidelines**

- Dimensions below refer to Frame Overall (Basic Frame) Dimension (see figure on page 8).

**Skylight**

Minimum Width		Minimum Height		Maximum Width		Maximum Height	
in	mm	in	mm	in	mm	in	mm
18.66	(474)	38.66	(982)	50.66	(1287)	92.66	(2354)

**Skylight Awaken Venting**

Minimum Width		Minimum Height		Maximum Width		Maximum Height	
in	mm	in	mm	in	mm	in	mm
18.3	(465)	38.3	(973)	50.3	(1278)	92.3	(2344)

**Skylight Awaken Stationary**

Minimum Width		Minimum Height		Maximum Width		Maximum Height	
in	mm	in	mm	in	mm	in	mm
18.3	(465)	38.3	(973)	50.3	(1278)	92.3	(2344)

*NOTE: Custom Sizes not available.*

*Refer to standard size charts on the following pages for specific size availability.*

**Standard Size Chart: Marvin Skylight**

Skylight Call Number Widths	Frame Size Width		RO Width		Daylight Opening Width		Glass Size Width	
	ft-in	mm	ft-in	mm	ft-in	mm	ft-in	mm
16	1-6 21/32	(474)	1-2 1/2	(368)	1-0 13/16	(325)	1-4 57/64	(429)
24	2-2 21/32	(677)	1-10 1/2	(572)	1-8 13/16	(529)	2-0 57/64	(632)
32	2-10 21/32	(880)	2-6 1/2	(775)	2-4 13/16	(732)	2-8 57/64	(835)
48	4-2 21/32	(1287)	3-10 1/2	(1181)	3-8 13/16	(1138)	4-0 57/64	(1242)

Skylight Call Number Heights	Frame Size Height		RO Height		Daylight Opening Height		Glass Size Height	
	ft-in	mm	ft-in	mm	ft-in	mm	ft-in	mm
36	3-2 21/32	(982)	2-10 1/2	(876)	2-8 13/16	(833)	3-0 57/64	(937)
48	4-2 21/32	(1287)	3-10 1/2	(1181)	3-8 13/16	(1138)	4-0 57/64	(1242)
60	5-2 21/32	(1592)	4-10 1/2	(1486)	4-8 13/16	(1443)	5-0 57/64	(1547)
90	7-8 21/32	(2354)	7-4 1/2	(2248)	7-2 13/16	(2205)	7-6 57/64	(2309)

Refer to standard size charts for specific size availability.

**Available Sizes**

Available configurations				
CN	36	48	60	90
16	x	x	x	x
24	x	x	x	x
32	x	x	x	x
48	x	x	x	x

## Standard Size Chart: Awaken Venting and Stationary Skylight

### Skylight Awaken

Awaken Call Number Widths	Frame Size Width		RO Width		Daylight Opening Width		Glass Size Width	
	ft-in	mm	ft-in	mm	ft-in	mm	ft-in	mm
16	1-6 19/64	(465)	1-2 1/2	(368)	1-0 39/64	(320)	1-4 57/64	(429)
24	2-2 19/64	(668)	1-10 1/2	(572)	1-8 39/64	(524)	2-0 57/64	(632)
32	2-10 19/64	(871)	2-6 1/2	(775)	2-4 39/64	(727)	2-8 57/64	(835)
48	4-2 19/64	(1278)	3-10 1/2	(1181)	3-8 39/64	(1133)	4-0 57/64	(1242)

Awaken Call Number Heights	Frame Size Height		RO Height		Daylight Opening Height		Glass Size Height	
	ft-in	mm	ft-in	mm	ft-in	mm	ft-in	mm
36	3-2 19/64	(973)	2-10 1/2	(876)	2-8 39/64	(828)	3-0 57/64	(937)
48	4-2 19/64	(1278)	3-10 1/2	(1181)	3-8 39/64	(1133)	4-0 57/64	(1242)
60	5-2 19/64	(1582)	4-10 1/2	(1486)	4-8 39/64	(1438)	5-0 57/64	(1547)
90	7-8 19/64	(2344)	7-4 1/2	(2248)	7-2 39/64	(2200)	7-6 57/64	(2309)

Maximum glass size is 16 square feet for Venting units. Refer to standard size charts below for specific size availability.

### Available Sizes

Available configurations				
CN	36	48	60	90
16	x	x	x	x
24	x	x	x	x
32	x	x	x	
48	x	x		

NOTE: Sizes in gray only available as Stationary.

**Certified Sizes and Ratings**

Product	Air Tested to psf	Water Tested to psf	Design Pressure (DP)	Structural Overlad Tested to (psf)	Certification Rating	Max CN Width	Max CN Height
Marvin Skylight	1.57	7.5	50	+100 / -75	PG50	48	90
Marvin Awaken Venting Skylight	1.57	6	40	+80 / -60	PG40	24	90
Marvin Awaken Venting Skylight	1.57	6	40	+80 / -60	PG40	32	60
Marvin Awaken Venting Skylight	1.57	4.6	30	+60 / -45	PG30	48	48
Marvin Awaken Stationary Skylight	1.57	7.5	50	+100 / -75	PG50	48	90

*NOTE: For CE ratings, please visit CE Technical Manual.*



**Measurement Conversions: Marvin Skylight**

Marvin Skylight					
From	To	Total Width		Total Height	
Rough Opening		in	mm	in	mm
Call Number	Rough Opening	-1.5	-(38)	-1.5	-(38)
OM of Frame	Rough Opening	-4.156	-(106)	-4.156	-(106)
Glass Size	Rough Opening	-2.25	-(57)	-2.25	-(57)
Daylight Opening	Rough Opening	1.69	(43)	1.69	(43)

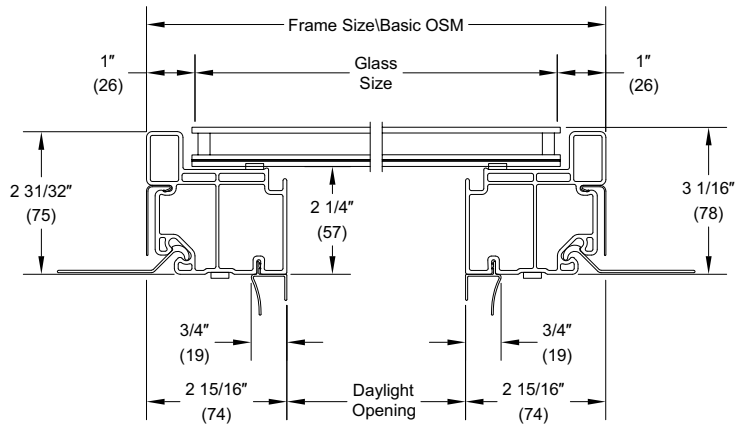
**Measurement Conversions: Marvin Venting and Stationary Awaken Skylight**

Awaken Skylights					
From	To	Total Width		Total Height	
Rough Opening		in	mm	in	mm
Call Number	Rough Opening	-1.5	-(38)	-1.5	-(38)
OM of Frame	Rough Opening	-3.796	-(96)	-3.796	-(96)
OM of Sash	Rough Opening	-4.281	-(109)	-4.281	-(109)
Glass Size	Rough Opening	-2.25	-(57)	-2.25	-(57)
Daylight Opening	Rough Opening	1.89	(48)	1.89	(48)

**Section Details: Marvin Skylight**

Scale: 3' = 1' 0"

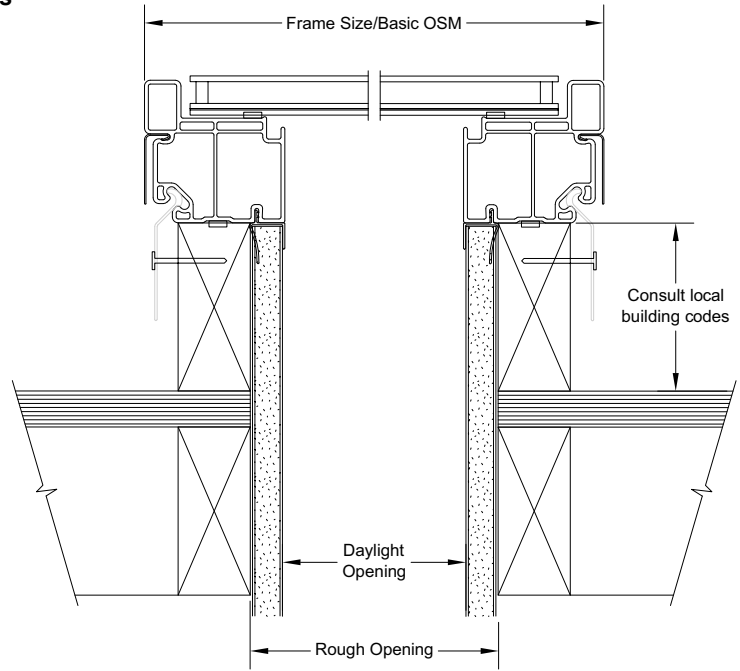
**Insulating Glass**



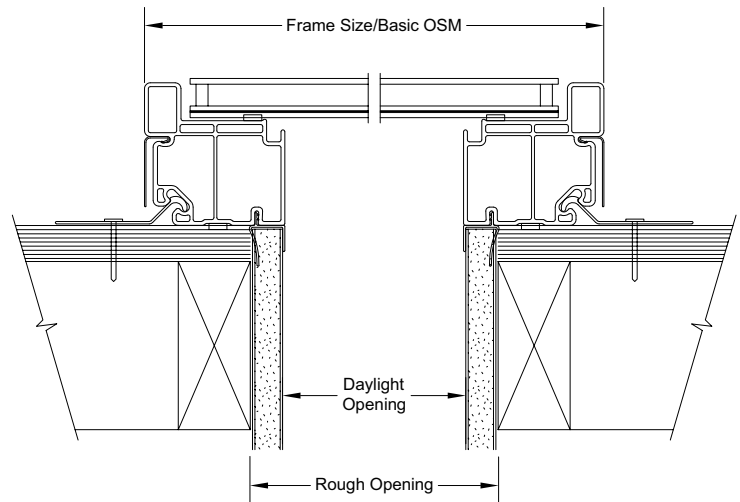
**Section Details: Marvin Skylight**

Scale: 3' = 1' 0"

**Insulating Glass**



**Curb Mount Installation**



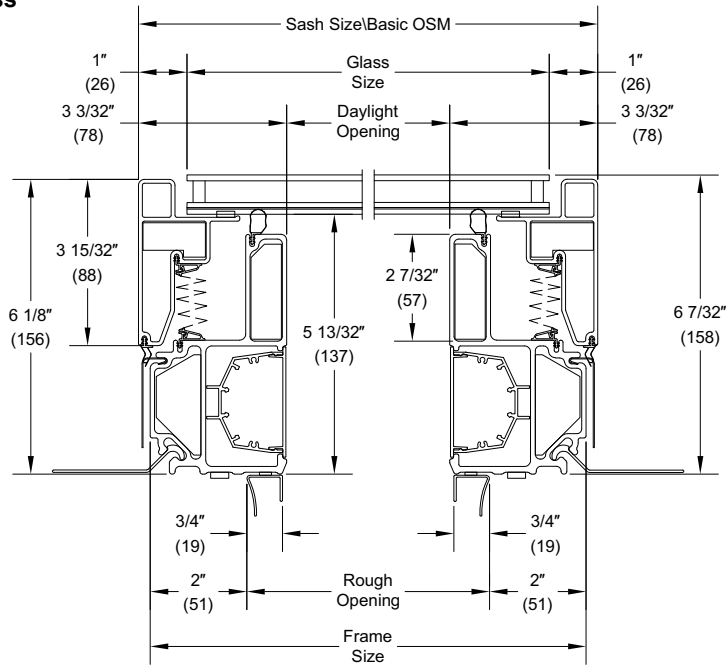
**Deck Mount Installation**

*NOTE: Work with your local building code to verify methods based on pitch/etc. (Code)  
 14 degree minimum angle of installation.  
 Optional flashing system not shown*

**Section Details: Awaken Venting and Stationary Skylight**

Scale: 3' = 1' 0"

**Insulating Glass**



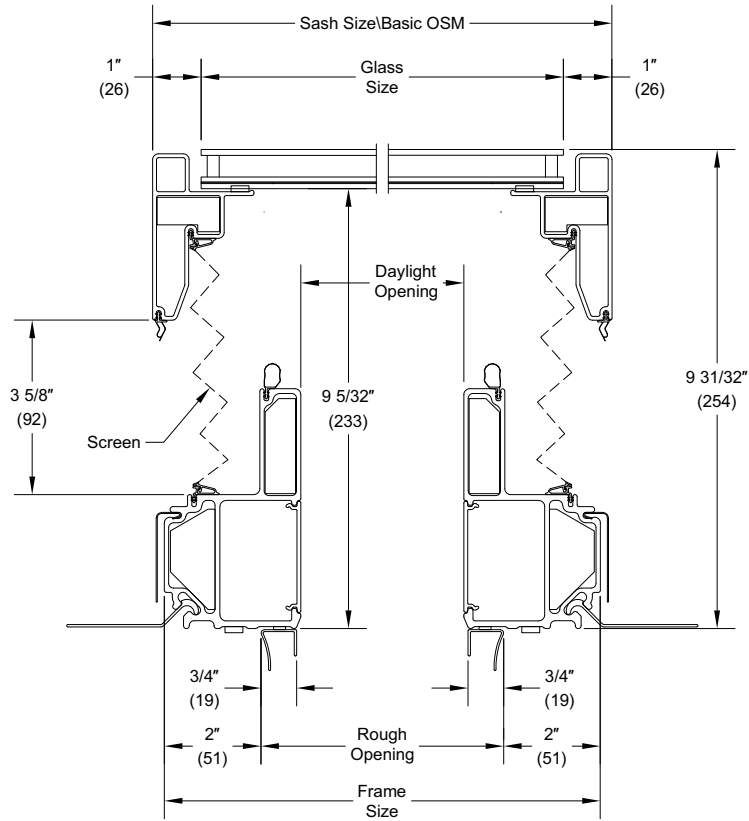
*NOTE: Sash is larger than the frame with the Skylight*

*NOTE: Venting unit shown. Screen not applicable to stationary unit.*

**Section Details: Awaken Venting Skylight**

Scale: 3' = 1' 0"

**Insulating Glass**

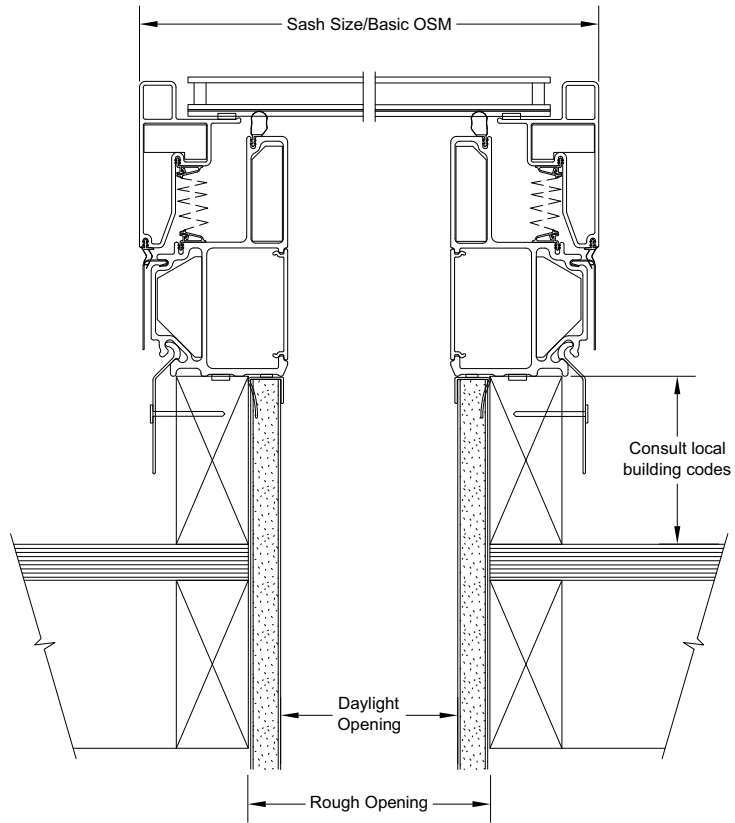


*NOTE: Sash is larger than the frame with the Skylight*

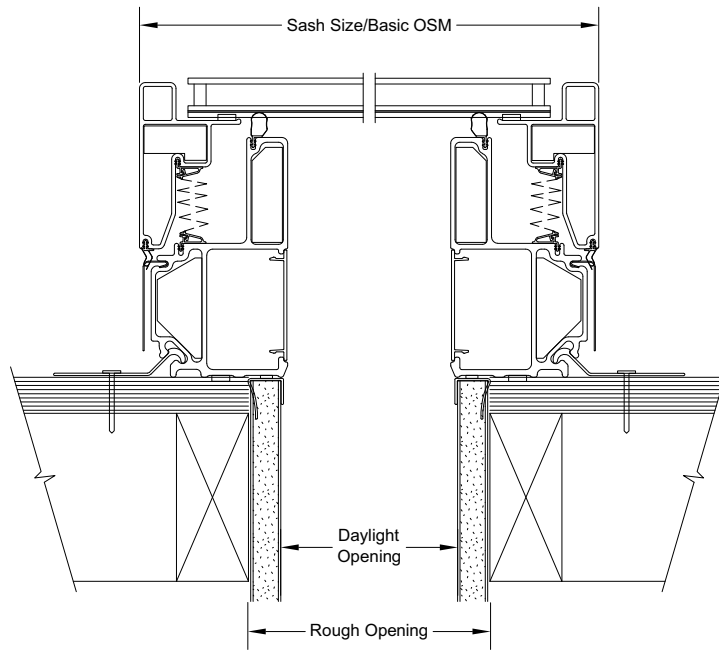
**Section Details: Awaken Venting and Stationary Skylight**

Scale: 3' = 1' 0"

**Insulating Glass**



**Curb Mount Installation**



**Deck Mount Installation**

*NOTE: Venting unit shown. Screen not applicable to stationary unit.  
Optional flashing system not shown.  
14 degree minimal angle of installation.*