

# Clad Ultimate Double Hung Bow and Bay

Unit Features.....	1
Min and Max Sizing and Projection for Bows and Bays.....	2
Standard Heights for Bows and Bays.....	3
Measurement Conversions: CUDHBB .....	4
Bow Rough Opening and Projection - 3 Wide, 4 Wide, 5 Wide, 6 Wide .....	5
Standard Width Call Number: 30° Bay .....	6
Construction Detail: 30° Bay .....	7
Rough Opening and Projection Calculations: 30° Bay .....	8
Standard Width Call Number: CUDH 45° Bay.....	9
Section Detail: 45° Bay .....	10
Rough Opening and Projection Calculations: 45° Bay .....	11
Section Detail: 90° Bay .....	12



# Clad Ultimate Double Hung Bow and Bay

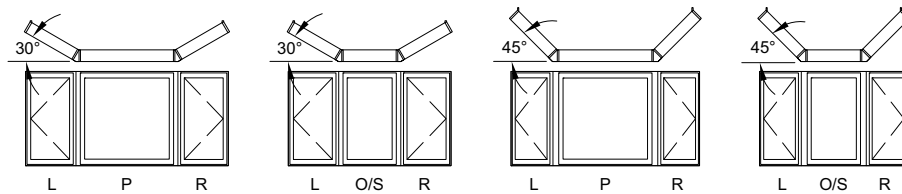
## Unit Features

### Clad Ultimate Double Hung Bow and Bay - CUDHBB

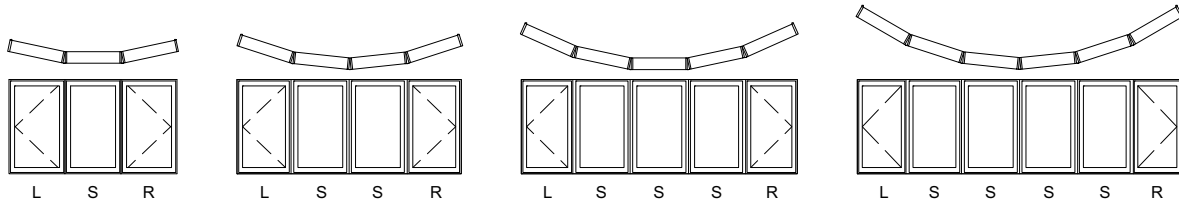
- 6 degree angle on Bows
- Laminated Pine wood or optional Douglas fir head and seat boards installed
- Installation brackets are available in lieu of nailing fin
- Optional retro fit bay square jamb return for CUDHBB

Information concerning Daylight Opening, Egress Opening, and Vent Opening will be determined based on the individual components of the Bow or Bay.

#### Bay Standard operation as viewed from exterior



#### Bow standard operation as viewed from exterior



**NOTE:** See Clad Ultimate Double Hung Collection for more unit features.

Use of clad casing will change the Rough Opening and Projection. Contract your Marvin representative for further information.

**Min and Max Sizing and Projection for Bows and Bays**

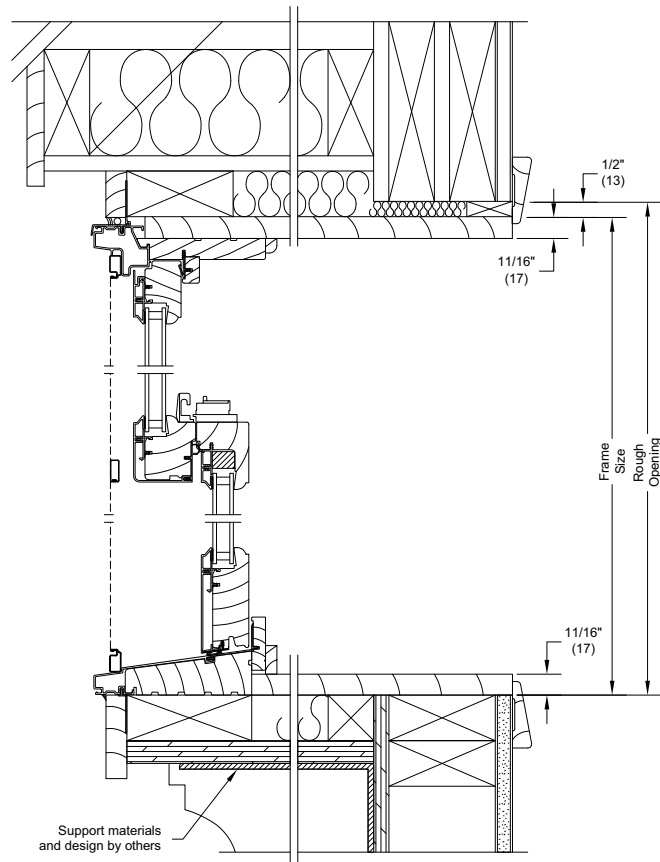
Configuration	Rough Opening									
	Width		x	Height		Width		x	Height	
	in	mm		in	mm	in	mm		in	mm
Bow - 3 Wide	65 15/32	(1663)	x	33 5/32	(842)	136 7/16	(3466)	x	81 5/32	(2061)
Bow - 4 Wide	86 3/8	(2194)	x	33 5/32	(842)	164 3/16	(4170)	x	81 5/32	(2061)
Bow - 5 Wide	106 11/32	(2701)	x	33 5/32	(842)	163 3/4	(4159)	x	93 5/32	(2366)
Bow - 6 Wide	125 5/32	(3179)	x	33 5/32	(842)	147 5/8	(3750)	x	93 5/32	(2366)
Bay - 30°	63 11/32	(1609)	x	33 5/32	(842)	128 29/32	(3274)	x	81 5/32	(2061)
Bay - 45°	58 5/16	(1481)	x	33 5/32	(842)	116 1/4	(2953)	x	81 5/32	(2061)
Bay - 90°	23	(584)	x	32 7/8	(835)	47	(1194)	x	80 7/8	(2054)

Configuration	Projection Depth			
	Minimum		Maximum	
	in	mm	in	mm
Bow - 3 Wide	3 13/32	(87)	7 9/16	(192)
Bow - 4 Wide	6 7/8	(175)	15 1/8	(384)
Bow - 5 Wide	10 1/4	(260)	20 1/16	(510)
Bow - 6 Wide	15 1/4	(387)	26 7/32	(666)
Bay - 30°	8 5/8	(219)	18 5/8	(473)
Bay - 45°	12 21/32	(321)	26 13/16	(681)
Bay - 90°	22 1/16	(560)	42 1/16	(1068)

# Clad Ultimate Double Hung Bow and Bay

## Standard Heights for Bows and Bays

Call Number Height	MO Height (w/head&seat boards)		RO Height (w/ head & seat boards)		Frame Size Height (w/ head & seat boards)	
	ft-in	mm	ft-in	mm	ft-in	mm
12	2-8 7/8	(836)	2-9 1/8	(842)	2-8 3/8	(822)
14	3-0 7/8	(937)	3-1 1/8	(944)	3-0 3/8	(924)
16	3-4 7/8	(1039)	3-5 1/8	(1045)	3-4 3/8	(1026)
18	3-8 7/8	(1141)	3-9 1/8	(1147)	3-8 3/8	(1127)
20	4-0 7/8	(1242)	4-1 1/8	(1249)	4-0 3/8	(1229)
22	4-4 7/8	(1344)	4-5 1/8	(1350)	4-4 3/8	(1330)
24	4-8 7/8	(1445)	4-9 1/8	(1452)	4-8 3/8	(1432)
26	5-0 7/8	(1547)	5-1 1/8	(1553)	5-0 3/8	(1534)
28	5-4 7/8	(1649)	5-5 1/8	(1655)	5-4 3/8	(1635)
30	5-8 7/8	(1750)	5-9 1/8	(1757)	5-8 3/8	(1737)
32	6-0 7/8	(1852)	6-1 1/8	(1858)	6-0 3/8	(1838)
34	6-4 7/8	(1953)	6-5 1/8	(1960)	6-4 3/8	(1940)
36	6-8 7/8	(2055)	6-9 1/8	(2061)	6-8 3/8	(2042)
40	7-4 7/8	(2258)	7-5 1/8	(2265)	7-4 3/8	(2245)
42	7-8 7/8	(2360)	7-9 1/8	(2366)	7-8 3/8	(2346)



**Measurement Conversions: CUDHBB**

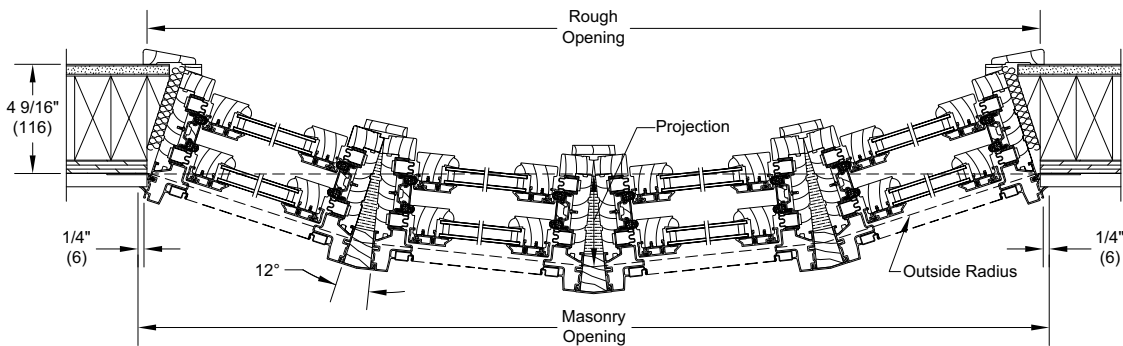
Unit Measurements		Width		Height	
From	To				
<b>Rough Opening - 30° Bay</b>		<b>in</b>	<b>mm</b>	<b>in</b>	<b>mm</b>
Masonry Opening with BMC	Rough Opening (w/ head and seat boards)	-3 25/32	(96)	-1/4	(06)
Masonry Opening w/out BMC	Rough Opening (w/ head and seat boards)	-1 7/32	(31)	+ 3/8	(10)
<b>Rough Opening - 45° Bay</b>		<b>in</b>	<b>mm</b>	<b>in</b>	<b>mm</b>
Masonry Opening with BMC	Rough Opening (w/ head and seat boards)	-4 31/32	(126)	-1/4	(06)
Masonry Opening w/out BMC	Rough Opening (w/ head and seat boards)	-1 13/16	(46)	+ 3/8	(10)
<b>Rough Opening - 90° Bay</b>		<b>in</b>	<b>mm</b>	<b>in</b>	<b>mm</b>
Masonry Opening with BMC	Rough Opening (w/ head and seat boards)	-10 3/16	(259)	-1/4	(06)
Masonry Opening w/out BMC	Rough Opening (w/ head and seat boards)	-10 3/16	(259)	+ 3/8	(10)
<b>Rough Opening - 3W Bow</b>		<b>in</b>	<b>mm</b>	<b>in</b>	<b>mm</b>
Masonry Opening with BMC	Rough Opening (w/ head and seat boards)	-2 11/16	(69)	-25/32	(20)
Masonry Opening w/out BMC	Rough Opening (w/ head and seat boards)	-19/32	(15)	+ 1/4	(06)
<b>Rough Opening - 4W Bow</b>		<b>in</b>	<b>mm</b>	<b>in</b>	<b>mm</b>
Masonry Opening with BMC	Rough Opening (w/ head and seat boards)	-3 1/32	(77)	-25/32	(20)
Masonry Opening w/out BMC	Rough Opening (w/ head and seat boards)	-13/16	(20)	+ 1/4	(06)
<b>Rough Opening - 5W Bow</b>		<b>in</b>	<b>mm</b>	<b>in</b>	<b>mm</b>
Masonry Opening with BMC	Rough Opening (w/ head and seat boards)	-3 3/8	(86)	-25/32	(20)
Masonry Opening w/out BMC	Rough Opening (w/ head and seat boards)	-1	(26)	+ 1/4	(06)
<b>Rough Opening - 6W Bow</b>		<b>in</b>	<b>mm</b>	<b>in</b>	<b>mm</b>
Masonry Opening with BMC	Rough Opening (w/ head and seat boards)	-3 25/32	(96)	-25/32	(20)
Masonry Opening w/out BMC	Rough Opening (w/ head and seat boards)	-1 7/32	(31)	+ 1/4	(06)

# Clad Ultimate Double Hung Bow and Bay

## Bow Rough Opening and Projection - 3 Wide, 4 Wide, 5 Wide, 6 Wide

Scale: 1 1/2" = 1' 0"

Call Number (Width)	Number Wide	Bow					
		MO		RO		Projection	
16	3	5-6 1/16	(1678)	5-5 1/2	(1663)	0-4 17/32	(115)
16	4	7-3 3/16	(2214)	7-2 3/8	(2194)	0-9 3/32	(231)
16	5	8-11 5/16	(2726)	8-10 5/16	(2701)	1-1 17/32	(344)
16	6	10-6 3/8	(3209)	10-5 1/8	(3178)	1-8 3/16	(512)
20	3	6-5 7/8	(1979)	6-5 5/16	(1964)	0-5 3/8	(137)
20	4	8-6 3/4	(2609)	8-5 15/16	(2589)	0-10 3/4	(273)
20	5	10-6 1/2	(3212)	10-5 15/32	(3187)	1-4	(406)
20	6	12-4 13/16	(3781)	12-3 5/8	(3750)	1-11 27/32	(605)
24	3	7-5 3/4	(2279)	7-5 5/32	(2264)	0-6 7/32	(158)
24	4	9-10 5/16	(3005)	9-9 1/2	(2984)	1-0 13/32	(315)
24	5	12-1 5/8	(3698)	12-0 19/32	(3673)	1-6 15/32	(469)
26	3	7-5 3/4	(2279)	7-5 5/32	(2264)	0-6 7/32	(158)
26	4	10-6 1/16	(3202)	10-5 9/32	(3182)	1-1 1/4	(336)
26	5	12-11 3/16	(3941)	12-10 5/32	(3915)	1-7 11/16	(500)
28	3	7-11 5/8	(2429)	7-11 1/16	(2414)	0-6 5/8	(168)
28	4	11-1 7/8	(3400)	11-1 1/16	(3380)	1-2 1/16	(357)
28	5	13-8 3/4	(4184)	13-7 23/32	(4158)	1-8 29/32	(531)
30	3	8-5 9/16	(2579)	8-4 31/32	(2565)	0-7 1/32	(179)
30	4	11-9 5/8	(3598)	11-8 27/32	(3577)	1-2 29/32	(378)
32	3	8-11 7/16	(2730)	8-10 7/8	(2715)	0-7 15/32	(189)
32	4	12-5 7/16	(3795)	12-4 5/8	(3775)	1-3 23/32	(399)
36	3	9-5 3/8	(2880)	9-4 13/16	(2865)	0-7 7/8	(200)
36	4	13-9	(4191)	13-8 3/16	(4170)	1-5 3/8	(441)
40	3	11-5 1/16	(3481)	11-4 15/32	(3466)	0-9 17/32	(242)



# Clad Ultimate Double Hung Bow and Bay



## Standard Width Call Number: 30° Bay

Call Number (Width)			30° Bay					
Side	Center	Side	MO		RO		Projection	
16	16	16	5-4 9/16	(1640)	5-3 5/16	(1609)	0-11 5/16	(287)
16	20	16	5-8 9/16	(1741)	5-7 5/16	(1710)	0-11 5/16	(287)
16	24	16	6-0 9/16	(1843)	5-11 5/16	(1812)	0-11 5/16	(287)
16	26	16	6-2 9/16	(1894)	6-1 5/16	(1863)	0-11 5/16	(287)
16	28	16	6-4 9/16	(1944)	6-3 5/16	(1914)	0-11 5/16	(287)
16	30	16	6-6 9/16	(1995)	6-5 5/16	(1964)	0-11 5/16	(287)
16	32	16	6-8 9/16	(2046)	6-7 5/16	(2015)	0-11 5/16	(287)
16	36	16	7-0 9/16	(2148)	6-11 5/16	(2117)	0-11 5/16	(287)
16	40	16	7-4 9/16	(2249)	7-3 5/16	(2218)	0-11 5/16	(287)
20	20	20	6-3 15/32	(1917)	6-2 1/4	(1886)	1-1 5/16	(338)
20	24	20	6-7 15/32	(2019)	6-6 1/4	(1988)	1-1 5/16	(338)
20	26	20	6-9 15/32	(2070)	6-8 1/4	(2039)	1-1 5/16	(338)
20	28	20	6-11 15/32	(2120)	6-10 1/4	(2089)	1-1 5/16	(338)
20	30	20	7-1 15/32	(2171)	7-0 1/4	(2140)	1-1 5/16	(338)
20	32	20	7-3 15/32	(2222)	7-2 1/4	(2191)	1-1 5/16	(338)
20	36	20	7-7 15/32	(2324)	7-6 1/4	(2293)	1-1 5/16	(338)
20	40	20	7-11 15/32	(2425)	7-10 1/4	(2394)	1-1 5/16	(338)
24	24	24	7-2 13/32	(2195)	7-1 3/16	(2164)	1-3 5/16	(389)
24	26	24	7-4 13/32	(2246)	7-3 3/16	(2215)	1-3 5/16	(389)
24	28	24	7-6 13/32	(2296)	7-5 3/16	(2265)	1-3 5/16	(389)
24	30	24	7-8 13/32	(2347)	7-7 3/16	(2316)	1-3 5/16	(389)
24	32	24	7-10 13/32	(2398)	7-9 3/16	(2367)	1-3 5/16	(389)
24	36	24	8-2 13/32	(2500)	8-1 3/16	(2469)	1-3 5/16	(389)
24	40	24	8-6 13/32	(2601)	8-5 3/16	(2570)	1-3 5/16	(389)
26	26	26	7-7 7/8	(2334)	7-6 5/8	(2303)	1-4 5/16	(414)
26	28	26	7-9 7/8	(2384)	7-8 5/8	(2353)	1-4 5/16	(414)
26	30	26	7-11 7/8	(2435)	7-10 5/8	(2404)	1-4 5/16	(414)
26	32	26	8-1 7/8	(2486)	8-0 5/8	(2455)	1-4 5/16	(414)
26	36	26	8-5 7/8	(2588)	8-4 5/8	(2557)	1-4 5/16	(414)
26	40	26	8-9 7/8	(2689)	8-8 5/8	(2658)	1-4 5/16	(414)
28	28	28	8-1 11/32	(2472)	8-0 1/8	(2441)	1-5 5/16	(439)
28	30	28	8-3 11/32	(2523)	8-2 1/8	(2492)	1-5 5/16	(439)
28	32	28	8-5 11/32	(2574)	8-4 1/8	(2543)	1-5 5/16	(439)
28	36	28	8-9 11/32	(2676)	8-8 1/8	(2645)	1-5 5/16	(439)
28	40	28	9-1 11/32	(2777)	9-0 1/8	(2746)	1-5 5/16	(439)
30	30	30	8-6 13/16	(2611)	8-5 9/16	(2580)	1-6 5/16	(465)
30	32	30	8-8 13/16	(2662)	8-7 9/16	(2631)	1-6 5/16	(465)
30	36	30	9-0 13/16	(2764)	8-11 9/16	(2733)	1-6 5/16	(465)
30	40	30	9-4 13/16	(2865)	9-3 9/16	(2834)	1-6 5/16	(465)
32	32	32	9-0 9/32	(2750)	8-11 1/16	(2719)	1-7 5/16	(490)
32	36	32	9-4 9/32	(2852)	9-3 1/16	(2821)	1-7 5/16	(490)
32	40	32	9-8 9/32	(2953)	9-7 1/16	(2922)	1-7 5/16	(490)
36	36	36	9-11 3/16	(3028)	9-10	(2997)	1-9 5/16	(541)
36	40	36	10-3 3/16	(3129)	10-2	(3098)	1-9 5/16	(541)
40	40	40	10-10 1/8	(3305)	10-8 7/8	(3274)	1-11 5/16	(592)

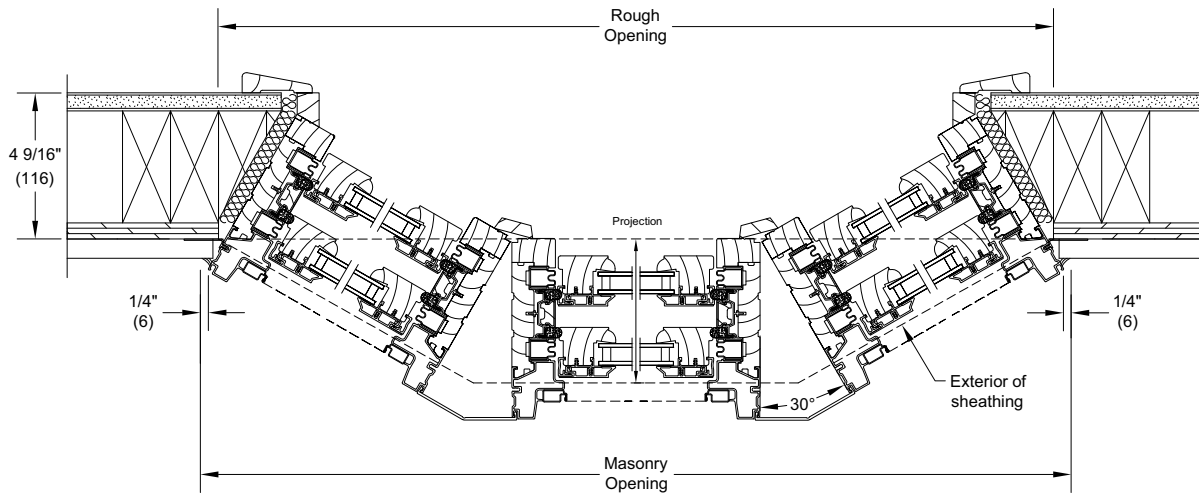


# Clad Ultimate Double Hung Bow and Bay

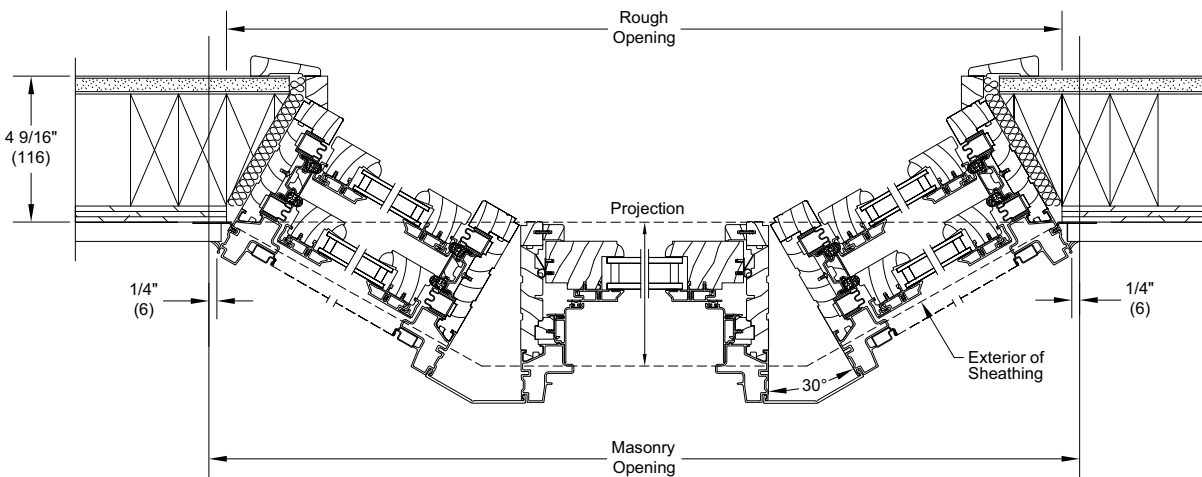
## Construction Detail: 30° Bay

Not to Scale

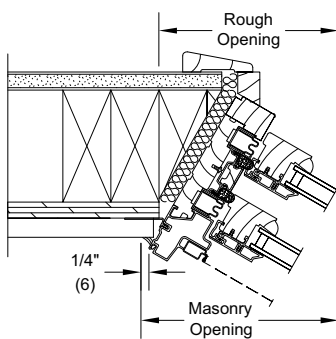
**Operating Center Unit**



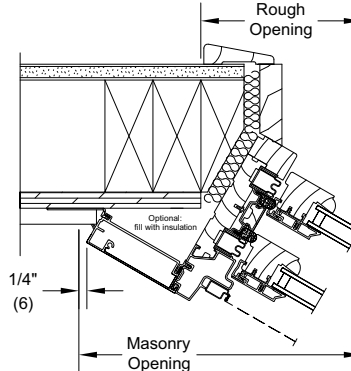
**Picture Center Unit**



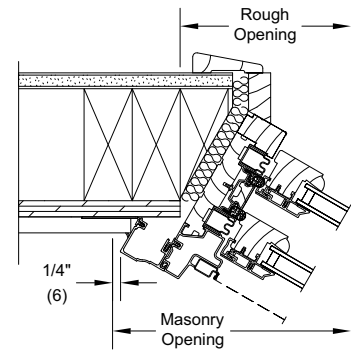
**30° CUDH Bay Detail**



**Flat Casing**



**Brick Mould Casing**



**NOTE: 30° CUDH Bay with optional Brick Mould Casing.** Bow or Bay assemblies with clad brick mould casing use enclosed profile casing. For 30° bay masonry opening widths using clad brick mould casing, add 3 21/32" (93) to the rough opening width. 30°

**CUDH Bay with optional 3 1/2" (89) Flat Casing.** Bow or bay assemblies with clad flat casing use enclosed profile casing. For 30° bay masonry opening widths using clad flat casing, add 6 7/16" (164) to the rough opening width.

## Clad Ultimate Double Hung Bow and Bay

### Rough Opening and Projection Calculations: 30° Bay

Clad Ultimate Double Hung Bay	
30-Degree (no casing)	
Projection	(OM <b>width</b> of flanker unit PLUS 1.223) x 0.5
Rough Opening Width	(Projection x 1.732) x 2 PLUS 2.82 + <b>Width</b> of Center Unit
Masonry Opening Unit	Add 1 7/32" (31) to Rough Opening <b>width</b>
Rough Opening Height (with Head and Seat boards)	OM height on center unit(s) PLUS 25/32" (20)
Masonry Opening Height (with Head and Seat boards)	Rough Opening height PLUS 1/4" (6)

*NOTE: If no head board, Deduct 11/16" (17) from Rough Opening Height*

*If no seat board, Deduct 11/16" (17) from Rough Opening Height*

*Clad BMC or Flat Casing will change Rough Opening and Projection. Contract your Marvin representative.*

# Clad Ultimate Double Hung Bow and Bay



## Standard Width Call Number: CUDH 45° Bay

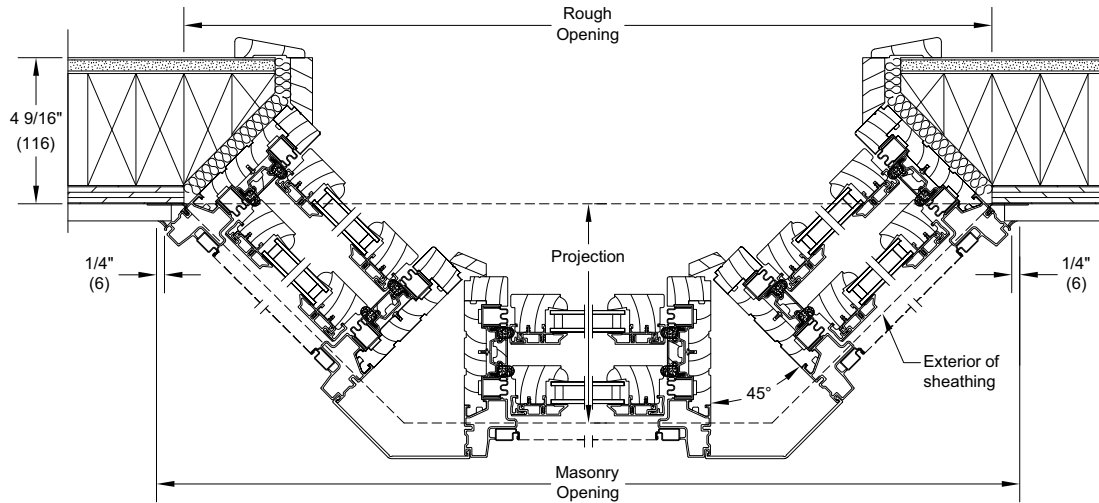
Call Number (Width)			45° Bay					
Side	Center	Side	MO		RO		Projection	
16	16	16	5-0 1/8	(1527)	4-10 5/16	(1481)	1-4 15/32	(418)
16	20	16	4-8 1/2	(1435)	4-6 11/16	(1389)	1-0 21/32	(321)
16	24	16	5-0 1/2	(1537)	4-10 11/16	(1491)	1-0 21/32	(321)
16	26	16	5-2 1/2	(1587)	5-0 11/16	(1542)	1-0 21/32	(321)
16	28	16	5-4 1/2	(1638)	5-2 11/16	(1593)	1-0 21/32	(321)
16	30	16	5-6 1/2	(1689)	5-4 11/16	(1643)	1-0 21/32	(321)
16	32	16	5-8 1/2	(1740)	5-6 11/16	(1694)	1-0 21/32	(321)
16	36	16	6-0 1/2	(1841)	5-10 11/16	(1796)	1-0 21/32	(321)
16	40	16	6-4 1/2	(1943)	6-2 11/16	(1897)	1-0 21/32	(321)
20	20	20	5-2 1/8	(1579)	5-0 11/32	(1533)	1-3 15/32	(393)
20	24	20	5-6 1/8	(1680)	5-4 11/32	(1635)	1-3 15/32	(393)
20	26	20	5-8 1/8	(1731)	5-6 11/32	(1685)	1-3 15/32	(393)
20	28	20	5-10 1/8	(1782)	5-8 11/32	(1736)	1-3 15/32	(393)
20	30	20	6-0 1/8	(1833)	5-10 11/32	(1787)	1-3 15/32	(393)
20	32	20	6-2 1/8	(1884)	6-0 11/32	(1838)	1-3 15/32	(393)
20	36	20	6-6 1/8	(1985)	6-4 11/32	(1939)	1-3 15/32	(393)
20	40	20	6-10 1/8	(2087)	6-8 11/32	(2041)	1-3 15/32	(393)
24	24	24	5-11 13/16	(1824)	5-10	(1778)	1-6 5/16	(465)
24	26	24	6-1 13/16	(1875)	6-0	(1829)	1-6 5/16	(465)
24	28	24	6-3 13/16	(1926)	6-2	(1880)	1-6 5/16	(465)
24	30	24	6-5 13/16	(1976)	6-4	(1931)	1-6 5/16	(465)
24	32	24	6-7 13/16	(2027)	6-6	(1982)	1-6 5/16	(465)
24	36	24	6-11 13/16	(2129)	6-10	(2083)	1-6 5/16	(465)
24	40	24	7-3 13/16	(2230)	7-2	(2185)	1-6 5/16	(465)
26	26	26	6-4 5/8	(1947)	6-2 27/32	(1901)	1-7 23/32	(501)
26	28	26	6-6 5/8	(1997)	6-4 27/32	(1952)	1-7 23/32	(501)
26	30	26	6-8 5/8	(2048)	6-6 27/32	(2003)	1-7 23/32	(501)
26	32	26	6-10 5/8	(2099)	6-8 27/32	(2053)	1-7 23/32	(501)
26	36	26	7-2 5/8	(2201)	7-0 27/32	(2155)	1-7 23/32	(501)
26	40	26	7-6 5/8	(2302)	7-4 27/32	(2257)	1-7 23/32	(501)
28	28	28	6-9 7/16	(2069)	6-7 21/32	(2024)	1-9 1/8	(537)
28	30	28	6-11 7/16	(2120)	6-9 21/32	(2074)	1-9 1/8	(537)
28	32	28	7-1 7/16	(2171)	6-11 21/32	(2125)	1-9 1/8	(537)
28	36	28	7-5 7/16	(2272)	7-3 21/32	(2227)	1-9 1/8	(537)
28	40	28	7-9 7/16	(2374)	7-7 21/32	(2328)	1-9 1/8	(537)
30	30	30	7-2 5/16	(2192)	7-0 1/2	(2146)	1-10 17/32	(573)
30	32	30	7-4 5/16	(2243)	7-2 1/2	(2197)	1-10 17/32	(573)
30	36	30	7-8 5/16	(2344)	7-6 1/2	(2299)	1-10 17/32	(573)
30	40	30	8-0 5/16	(2446)	7-10 1/2	(2400)	1-10 17/32	(573)
32	32	32	7-7 1/8	(2315)	7-5 5/16	(2269)	1-11 31/32	(609)
32	36	32	7-11 1/8	(2416)	7-9 5/16	(2370)	1-11 31/32	(609)
32	40	32	8-3 1/8	(2518)	8-1 5/16	(2472)	1-11 31/32	(609)
36	36	36	8-4 3/4	(2560)	8-2 31/32	(2514)	2-2 25/32	(680)
36	40	36	8-8 3/4	(2661)	8-6 31/32	(2616)	2-2 25/32	(680)
40	40	40	9-2 7/16	(2805)	9-0 5/8	(2759)	2-5 5/8	(752)

# Clad Ultimate Double Hung Bow and Bay

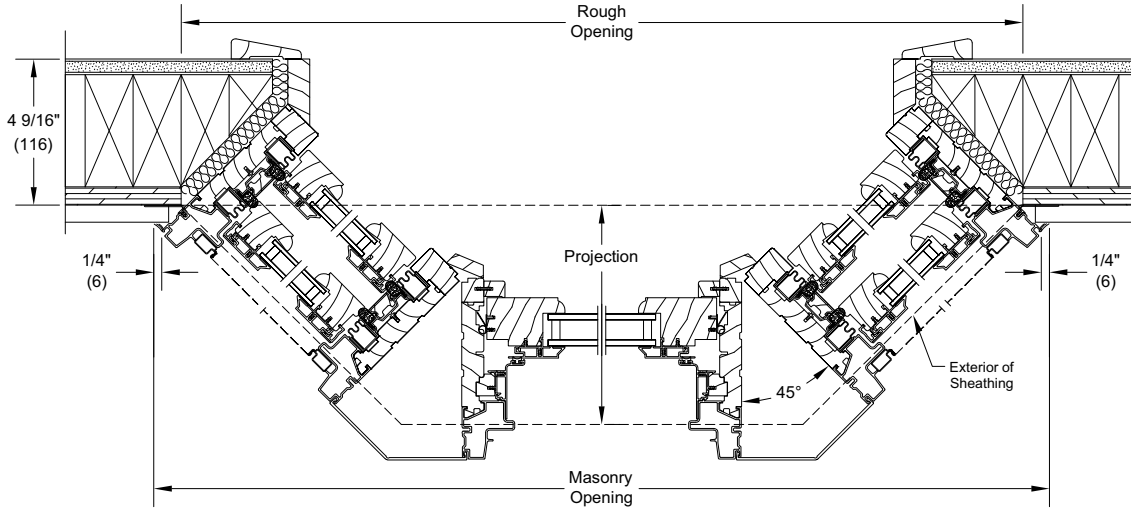
## Section Detail: 45° Bay

Not to Scale

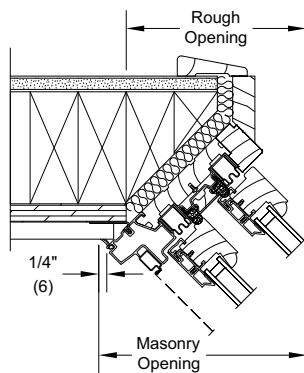
**Operating Center Unit**



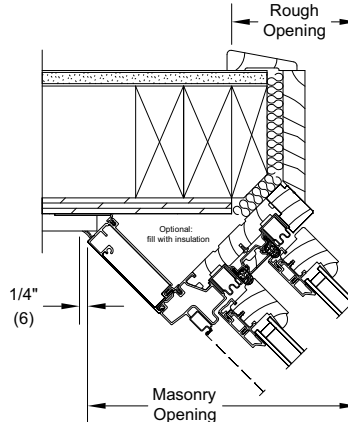
**Picture Center Unit**



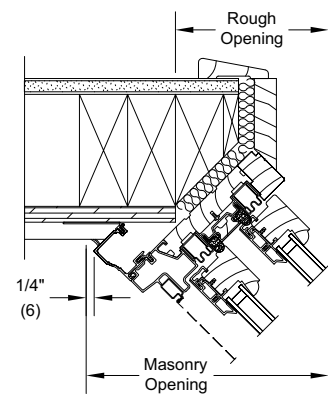
**45° CUDH Bay Detail**



**Flat Casing**



**Brick Mould Casing**



**NOTE: 45° CUDH Bay with optional Brick Mould Casing.** Bow or bay assemblies with clad brick mould casing use enclosed profile casing. For 45° bay masonry opening widths using clad brick mould casing, add 3 7/8" (98) to the rough opening width.

**45° CUDH Bay with optional 3 1/2 (89) Flat Casing.** Bow or bay assemblies with clad flat casing use enclosed profile casing. For 45° bay masonry opening widths using clad flat casing, add 6 1/16" (154) to the rough opening width.

# Clad Ultimate Double Hung Bow and Bay

## Rough Opening and Projection Calculations: 45° Bay

Clad Ultimate Double Hung Bay	
45-Degree (no casing)	
Projection	OM <b>width</b> of flanker unit PLUS 1.89 x 0.707
Rough Opening Width	Projection x 2 + 4.03 Plus OM <b>width</b> of Center Unit
Masonry Opening Width	Add 1 13/16" (46) to Rough Opening <b>width</b>
Rough Opening Height (with Head and Seat Boards)	OM height on center unit(s) Plus 25/32" (20)
Masonry Opening Height (with Head and Seat Boards)	Rough Opening height Minus 1 /4" (6)

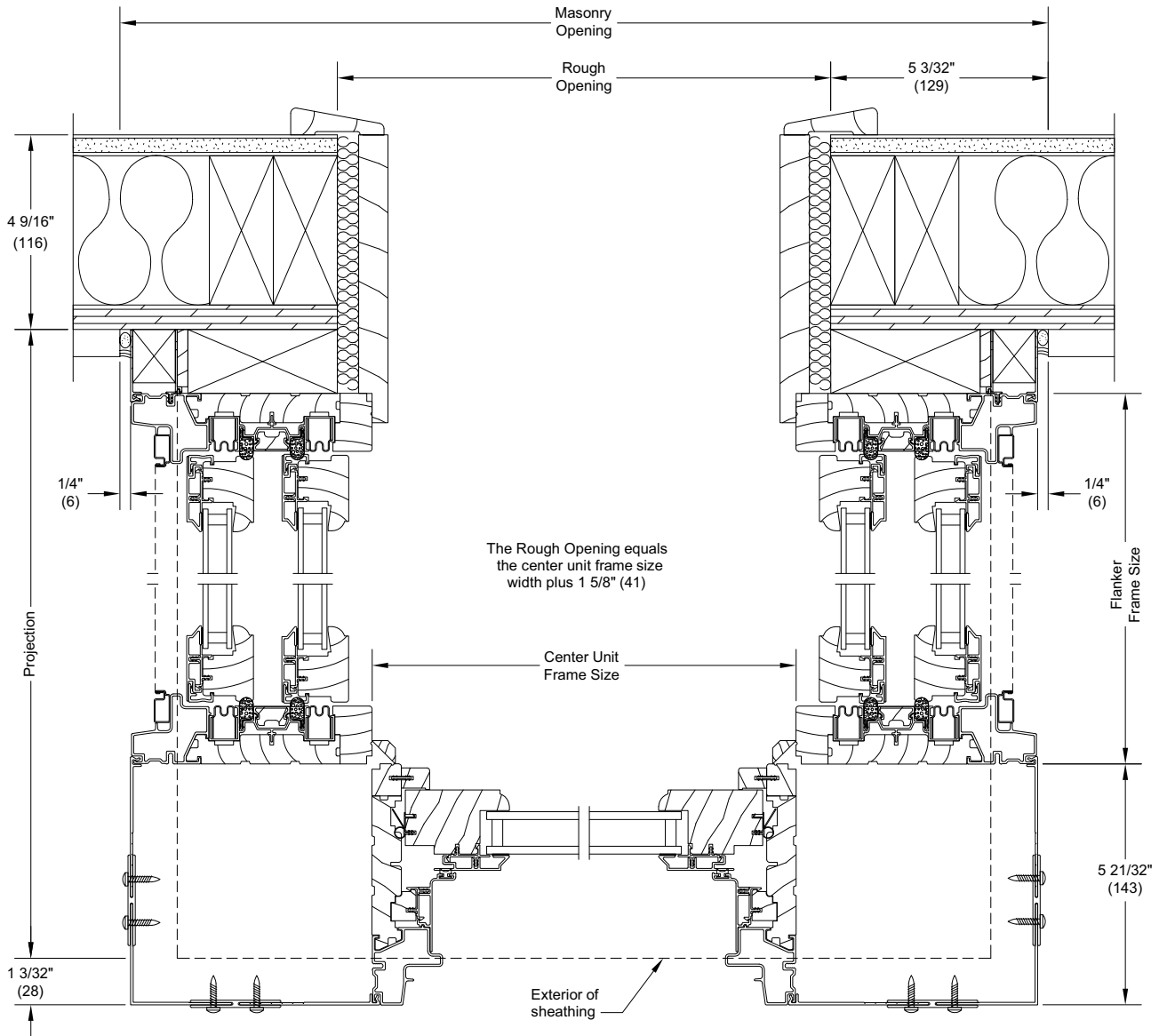
*NOTE: If no head board, Deduct 11/16" (17) from Rough Opening Height*

*If no seat board, Deduct 11/16" (17) from Rough Opening Height*

*Clad BMC or Flat Casing will change Rough Opening and Projection. Contact your Marvin representative.*

## Section Detail: 90° Bay

Not to Scale



Clad Ultimate Double Hung Bay	
90-Degree (no casing)	
Projection	OM <b>width</b> of flanker unit PLUS 6 1/16" (154)
Rough Opening Width	OM <b>width</b> of Center Unit(s) PLUS 1 5/8" (41)
Masonry Opening Unit	Add 10 3/16" (259) to Rough Opening <b>width</b>
Rough Opening Height (with Head and Seat boards)	OM height on center unit(s) PLUS 25/32" (20)
Masonry Opening Height (with Head and Seat boards)	Rough Opening height MINUS 1/4" (6)