

INTERIOR SHADES

Table of Contents

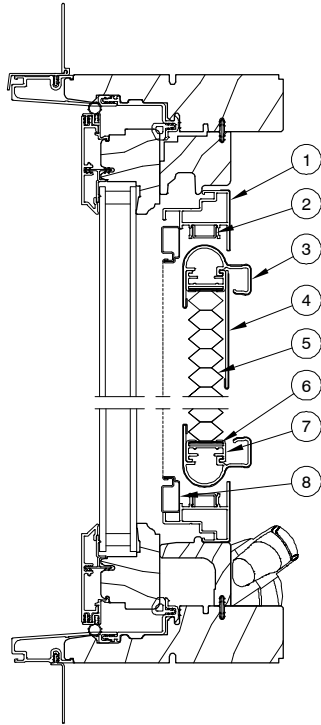
	PAGE
History	2
Part Identification	
Part Identification – Ultimate Casement	3
Part Identification – Direct Glaze Rectangular/Door Transom Direct Glaze	4
Part Identification – Swinging Door	5
Part Identification – Sliding French Door	6
Part Identification – Sliding Patio Door	7
Part Identification – Ultimate Double Hung / Ultimate Double Hung–NG	8
Part Identification – Ultimate Double Hung–NG with Retractable Screen	9
Parts	
Hardware and Miscellaneous	10
Retro Fit Drill Jig Kits	13
Replacement Wood Wrap Parts	14
Replacement Wood Parts	15
Mull Extensions	16
Surround Replacement	17
Integrated Interior Shade System Replacement	18

ATTENTION:

- Specification and technical data are subject to change without notice.
- Numbers listed in parentheses () are metric equivalents in millimeters rounded to the nearest whole number.

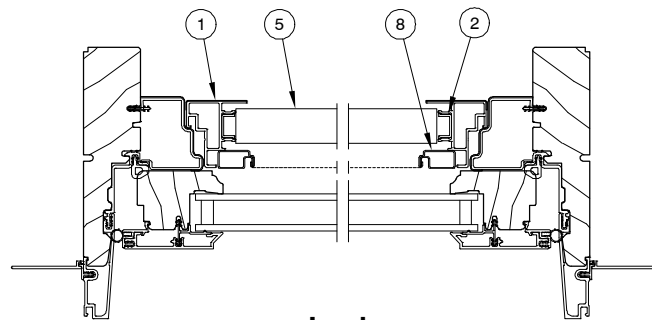
Produced	Unit Type	Features or Changes	Status
2013	Ultimate Casement/Awning, Ultimate Replacement Casement/Awning, Direct Glaze Rectangular, 1 3/4" and 2 1/4" Ultimate Inswing and Outswing French Door, Ultimate Sliding French Door and Sliding Patio Door	December 16, 2013 – Interior Shade option introduced for unit types listed. Interior Shades are a cellular shade attached to the window or door by a surround or integrated into the product. Interior shades are available to be retro-fitted to the Ultimate Casement, Ultimate Replacement Casement, Ultimate Awning, Ultimate Replacement Awning, Direct Glaze Rectangular and Ultimate Inswing and Outswing French Doors. Shade cartridges are removable and replaceable.	Present
2014	Ultimate Double Hung, Ultimate Double Hung Magnum, and Clad Ultimate Double Hung – Next Generation	April 28, 2014 – Interior Shade option introduced for unit types listed. Interior Shades are available as a Retro Fit for Wood/Clad Ultimate Double Hung and Wood/Clad Ultimate Double Hung Magnum.	Present

**Ultimate Casement, Ultimate Awning,
Ultimate Replacement Casement, Ultimate Replacement Awning
(shown in CUCA operator)**



Head Jamb and Sill

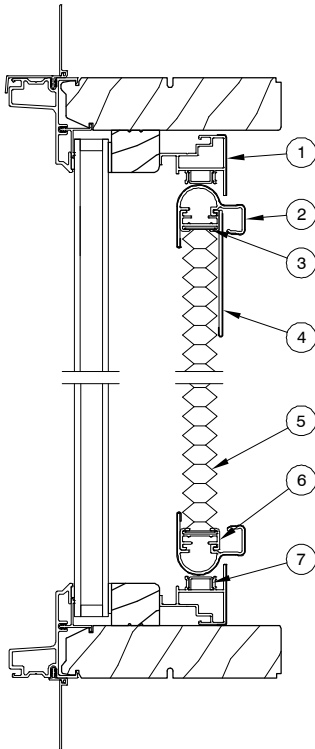
1. UCA Cellular Shade Surround (wood wrap)
2. Guide Track
3. Pull Bar (wood wrap)
4. Stack Cover, Short (wood wrap)
5. Shade Fabric
6. Filler Strip
7. Pull Bar to Fabric Adapter
8. Screen Frame



Jamb

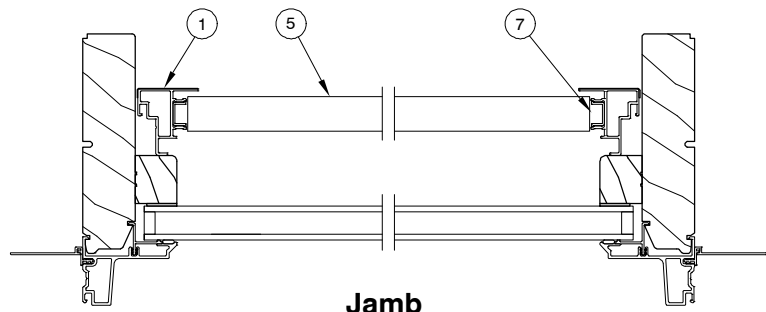
NOTE: Not to scale; specifications subject to change without notice.

**Direct Glaze Rectangular and Door Transom Direct Glaze
(shown in CDGPOLY)**



Head Jamb and Sill

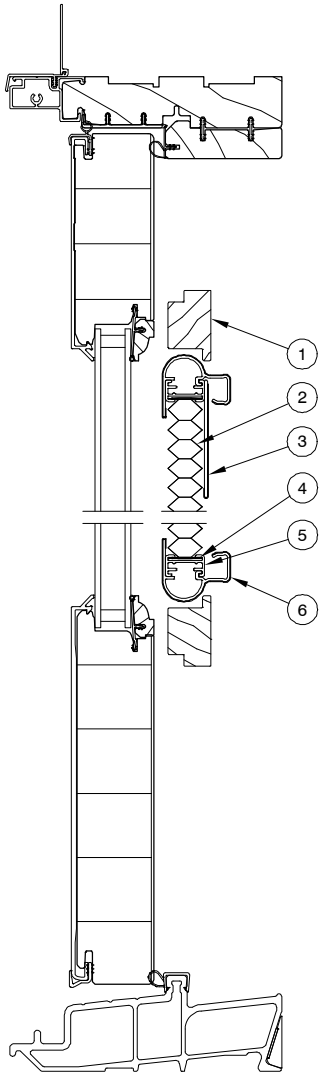
1. UCA Cellular Shade Surround (wood wrap)
2. Pull Bar, Cellular Shade (wood wrap)
3. Filler Strip
4. Stack Cover, Short (wood wrap)
5. Shade Fabric
6. Pull Bar to Fabric Adapter
7. Guide Track



Jamb

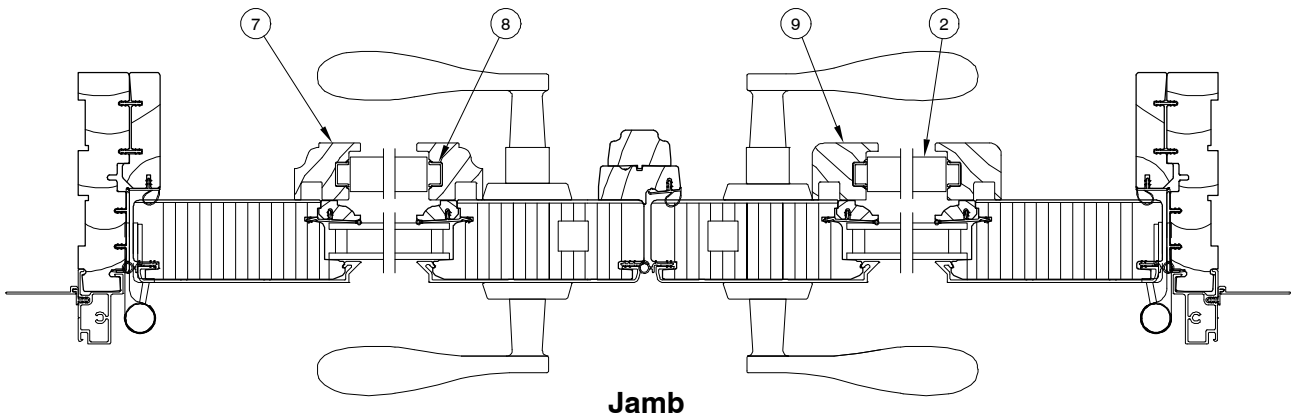
NOTE: Not to scale; specifications subject to change without notice.

**Ultimate Inswing French Door and Ultimate Outswing French Door
 (shown in CUOFD)**



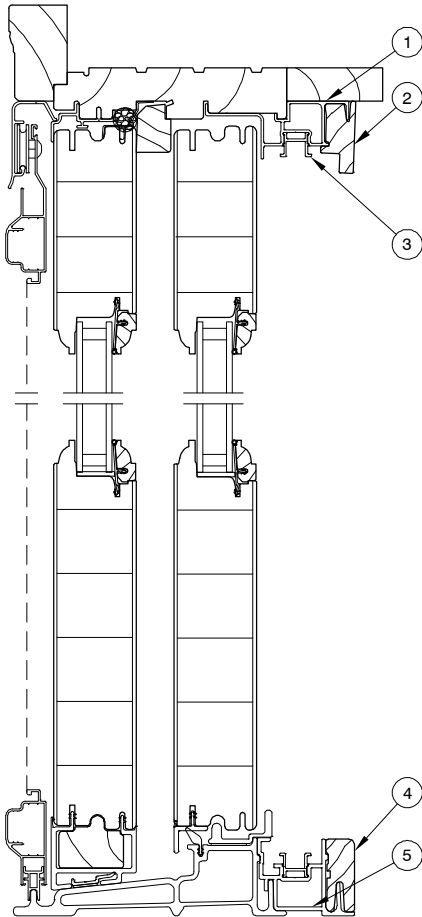
1. Rail, Lip Mould Surround
2. Shade Fabric
3. Stack Cover, Short (wood wrap)
4. Filler Strip
5. Pull Bar to Fabric Adapter
6. Pull Bar (wood wrap)
7. Stile, Cellular Shade Surround, Traditional Profile
8. Guide Track
9. Stile, Cellular Shade Surround, Contemporary Profile

**Head Jamb and Sill
 (Contemporary Profile)**



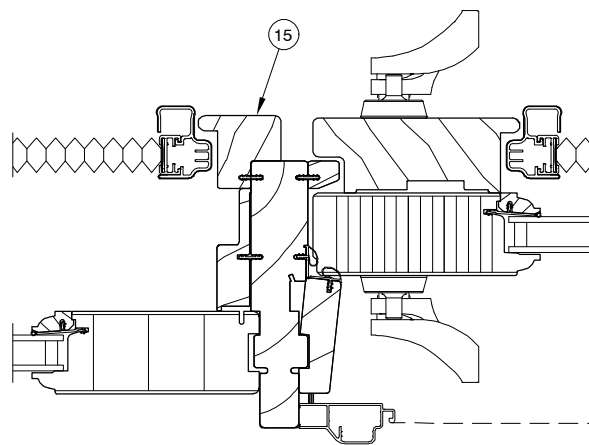
NOTE: Not to scale; specifications subject to change without notice.

**Integrated Shade System
 USFD
 (shown in WUSFD)**

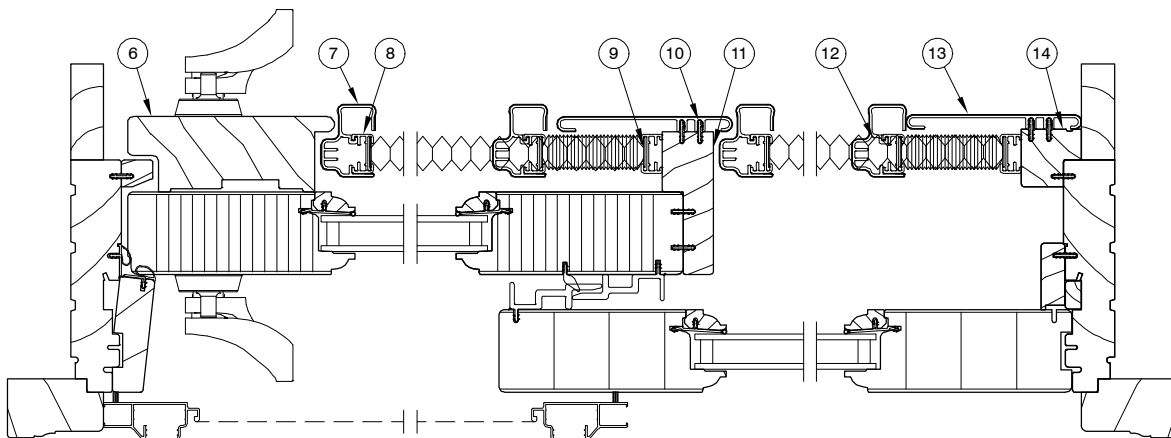


Head Jamb and Sill

1. Header Guide
2. Header Guide Cover, W11857
3. Guide Track
4. Sill Liner
5. Sill Extension
6. Locking Stile Extension
7. Pull Bar (wood wrap)
8. Pull Bar to Fabric Adapter
9. Filler Strip
10. Connecting Barb
11. Meeting Stile Extension
12. Shade Fabric
13. Pocket Cover, Wood Wrap
14. Stationary Jamb Extension
15. Center Jamb Extension



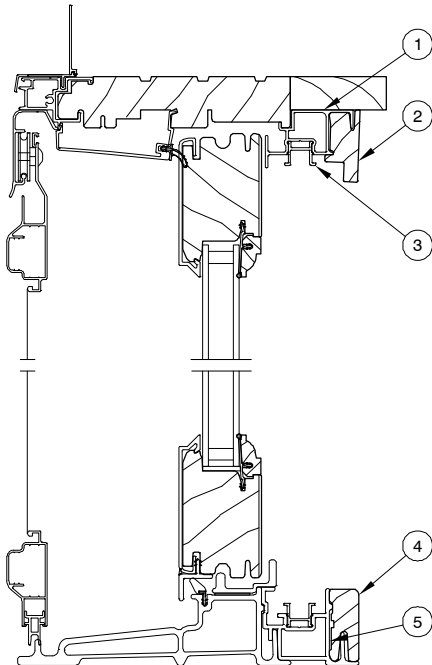
Center Jamb - OXO



Jamb - XO

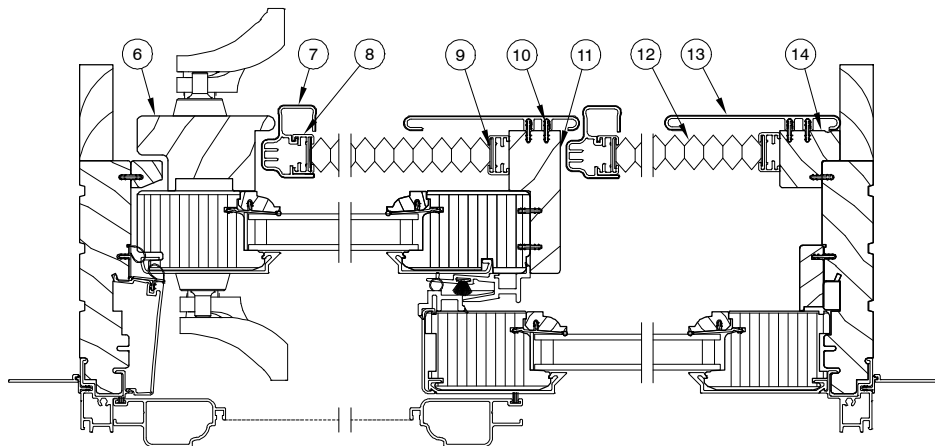
NOTE: Not to scale; specifications subject to change without notice.

**Integrated Shade System
 SPD
 (shown in CSPD)**



1. Header Guide
2. Header Guide Cover, W11857
3. Guide Track
4. Sill Liner
5. Sill Extension
6. Locking Stile Extension
7. Pull Bar (wood wrap)
8. Pull Bar to Fabric Adapter
9. Filler Strip
10. Connecting Barb
11. Meeting Stile Extension
12. Shade Fabric
13. Pocket Cover, Wood Wrap
14. Stationary Jamb Extension

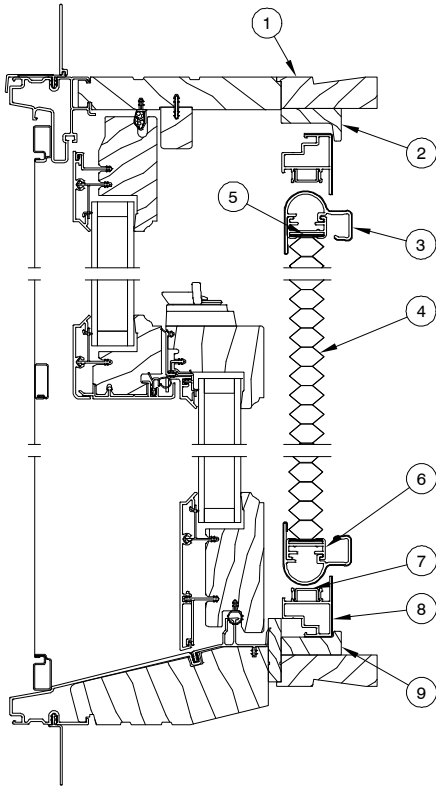
**Head Jamb
 and Sill**



Jamb

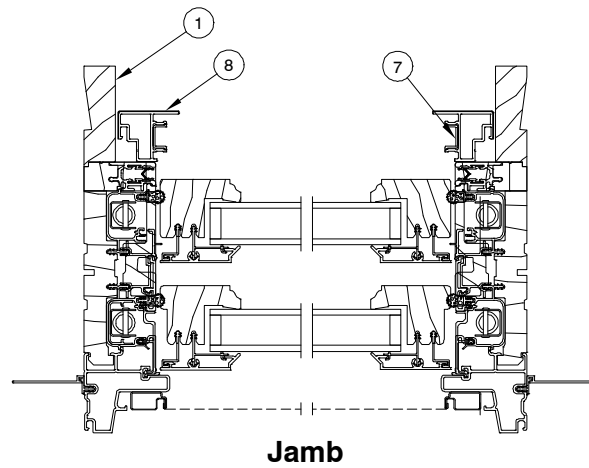
NOTE: Not to scale; specifications subject to change without notice.

**Ultimate Double Hung – NG,
 Ultimate Double Hung and
 Ultimate Double Hung Magnum
 (shown in CUDH-NG)**



1. 2" Jamb Extension
2. Shade Receiver, Header, W12233
3. Pull Bar, Cellular Shade, Wood/Wrap. C0103
4. Fabric, Shade
5. Filler Strip, Roll
6. Pullbar to Fabric Adapter
7. Guide Track, V2277
8. DH Shade Surround, Wood Wrap, C0120
9. Shade Receiver, Sill, W12232

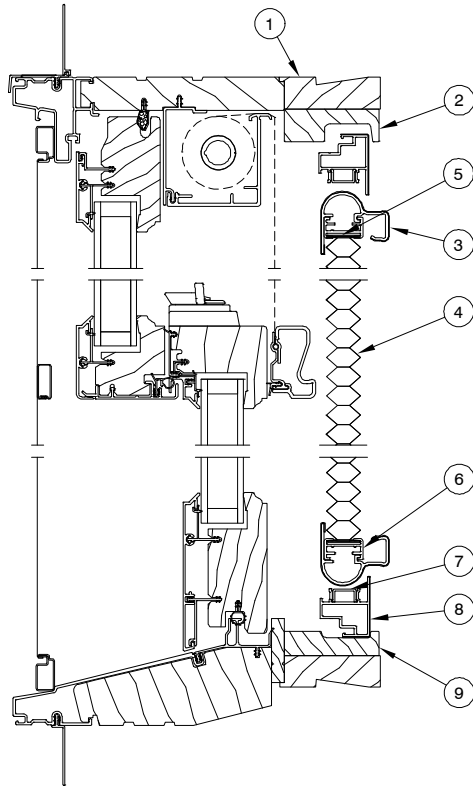
**Head Jamb
 and Sill**



Jamb

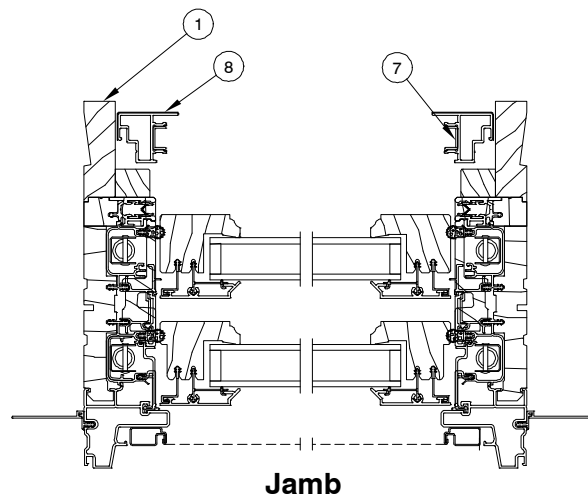
NOTE: Not to scale; specifications subject to change without notice.

**Ultimate Double Hung – NG
 with Retractable Screen
 (shown in CUDH-NG)**



- 1. 2" Jamb Extension
- 2. Shade Receiver, Header, W12143
- 3. Pull Bar, Cellular Shade, Wood/Wrap, C0103
- 4. Fabric, Shade
- 5. Filler Strip, Roll
- 6. Pullbar to Fabric Adapter
- 7. Guide Track, V2277
- 8. DH Shade Surround, Wood Wrap, C0120
- 9. Shade Receiver, Sill, W12142

**Head Jamb
 and Sill**



NOTE: Not to scale; specifications subject to change without notice.

TO ORDER REPLACEMENT PARTS

When ordering Interior Shade replacement parts specify:

1. type of unit;
2. part number;
3. description;
4. color.

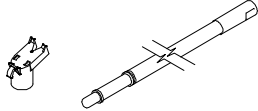

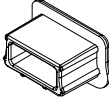
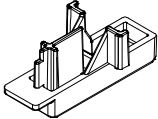
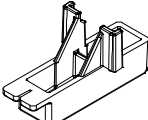


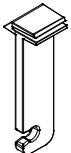
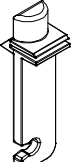

ILLUSTRATION <i>NOT TO SCALE</i>	DESCRIPTION	OPERATOR/ COLOR/LENGTH	PART NO.
	Extension Pole with End Adapter UCA, DG, Swinging Door	2 1/2–4 1/2 ft. ext. 5–10 ft. ext.	10501453 10501454
	End Adapter, Extension Pole UCA, DG, Swinging Door		10810489
	Pull Bar End Cover UCA, UDH, DG, Swinging Door	BG WH BZ	10501413 10501415 10501414
	Pull Bar End Cap UCA, UDH, DG, Swinging Door	BG WH BZ	10501410 10501412 10501411
	Pull Bar End Cap Sliding Door	BG BZ	10501451 10501452
	Terminal Ring UCA, DG, Swinging Door and Sliding Door NOTE: Used when replacing end caps.	BG	10501432
	Magnetic Catch, Pull Bar Sliding Door	BG	11860339
	Shade Retention Plunger – Part A UCA	BG WH BZ	10501440 10501441 10501442
	Shade Retention Plunger – Part A DG	BG WH BZ	10501437 10501438 10501439
	Shade Retention Plunger – Part B UCA and DG	BG WH BZ	10501443 10501444 10501445


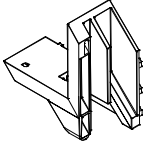
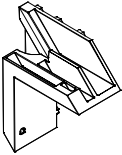



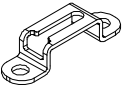

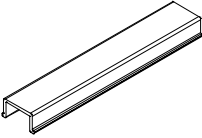
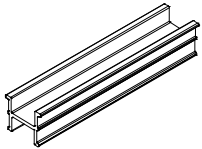
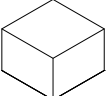
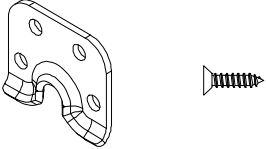

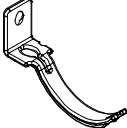

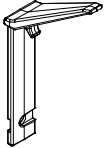
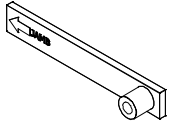
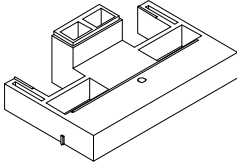
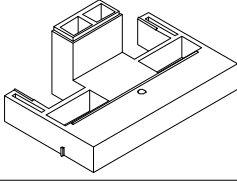
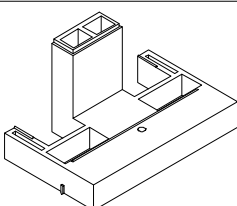
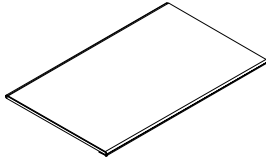
ILLUSTRATION NOT TO SCALE	DESCRIPTION	OPERATOR/ COLOR/LENGTH	PART NO.
	Leaf Spring UCA and DG		11868835
 RH Shown	Corner Key, Lower UCA, UDH and DG <i>includes:</i> 2 - #6-18 x 1/4" Phillips pan head screws (02056061)	LH RH	10501458 10501457
 LH Shown	Corner Key, Upper UCA, UDH and DG <i>includes:</i> 2 - #6-18 x 1/4" Phillips pan head screws (02056061)	LH RH	10501455 10501456
	Spring, Shade Cartridge 3/16" x 2 1/2"		10501435
	Spring, Shade Cartridge 1/4" x 2 1/2" NOTE: Used on shade surrounds with an OM width greater than 50 3/16".		10501436
	Single Jack Chain	3" (76) 5" (127)	10840121 10840122
	Retainer Clip Swinging Doors <i>includes:</i> 2 - #6 x 5/8" flat head screws (11800519)		10501433
	Mounting Screw, Shade Surround Swinging Doors		11806112
	Guide Track, with adhesive tape V2277 Swinging Doors UCA/DG (Stiles)	120" (3048) BG WH BK	15364199 15364299 15364399
	Guide Track, without adhesive tape V2277 UCA/DG (Rails)	66" (1676) BG WH BK	15364472 15364572 15364672
	Guide Track V2323 Sliding Doors	96" (2438) BG BK	15980096 15980196
	Gasket, Header Guide Sliding Doors		10150240

ILLUSTRATION NOT TO SCALE	DESCRIPTION	OPERATOR/ COLOR/LENGTH	PART NO.
	Extension Bracket, Locking Stile Sliding Doors		10501433
	<i>Uses (order separately):</i> 2 – #7 x 5/8" flat head screws		11800734
	Magnetic Strike Plate Sliding Doors	Silver BZ	10815200 10815193
	<i>Uses (order separately):</i> 1 – #6 x 1" Trim head screw	Silver BZ	11800533 11800534
	Cord Tensioner Sliding Doors <i>Uses:</i> 1 – #6 x 1" Flat head screw (Beige – 11800630, Bronze – 11800613)	Beige BZ	11860428 11860429
	Quarter Turn Connector Sliding Doors		11860334
	Shade Guide UDH <i>Uses:</i> 1 – #6 x 3/8" Phillips pan head screw (Black – 11800659)		10501459

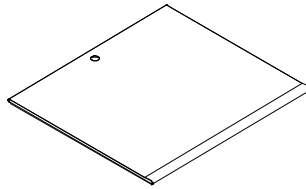
RETRO FIT DRILL JIG KITS

ILLUSTRATION <i>NOT TO SCALE</i>	DESCRIPTION	OPERATOR/ COLOR/LENGTH	PART NO.
	<p>DG <i>Includes:</i> Direct Glaze Retro Fit Drill Jig Direct Glaze Retro Fit Instruction</p>		11856424
	<p>1 3/4" Swinging Door <i>Includes:</i> 1 3/4" Swinging Door Shade Retro Fit Drill fixture Swinging Door Retro Fit Instruction</p>		11856425
	<p>2 1/4" Swinging Door or 1 3/4" Swinging Door IZ4 <i>Includes:</i> 2 1/4" and 1 3/4" IZ4 Swinging Door Retro Fit Drill fixture Swinging Door Retro Fit Instruction</p>		11856426
	<p>2 1/4" Swinging Door - IZ4 <i>Includes:</i> 2 1/4" IZ4 Swinging Door Retro Fit Drill fixture Swinging Door Retro Fit Instruction</p>		11856427

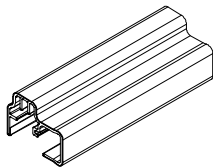
WOOD WRAP PARTS



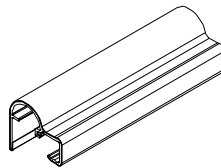
C0108 – Stack Cover,
Short, Wood Wrap
UCA, UDH, CUDH-NG,
DG, Swinging Door



C0107 – Stack Cover,
Tall, Wood Wrap
UCA, DG, Swinging Door



C0110 – Pull Bar
Wood Wrap
Sliding Door



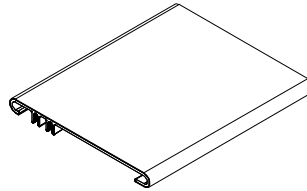
C0103 – Pull Bar
Wood Wrap
UCA, DG, Swinging Door
UDH, CUDH-NG

TO ORDER:

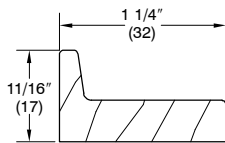
Order through Configured Parts in OMS.

**WOOD AND WOOD WRAP REPLACEMENT PARTS
 TO ORDER SPECIFY:**

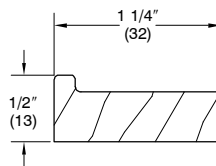
1. Length (and or);
2. Unit size.



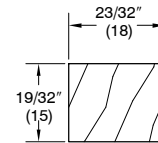
C0109 – Pocket Cover
 Wood Wrap
 Sliding Door



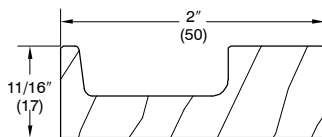
W12233 – Header
 Shade Receiver
 UDH, UDH-NG,
 UDHM Products



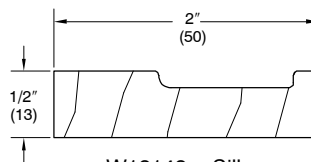
W12232 – Sill
 Shade Receiver
 UDH, UDH-NG,
 UDHM Products



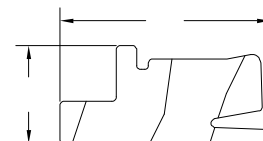
W12211 – Jamb Filler
 UDH-NG Products
 (retractable screen only)



W12143 – Header
 Wood Receiver
 UDH-NG Products
 (retractable screen only)



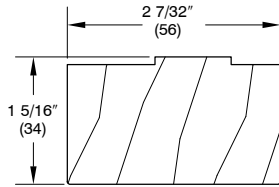
W12142 – Sill
 Wood Receiver
 UDH-NG Products
 (retractable screen only)



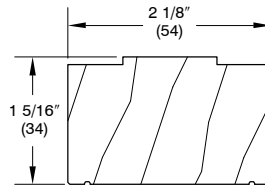
W11857 – Head
 Guide Cover
 SFD and SPD Products

**WOOD MULL EXTENSIONS – INTERIOR SHADES
 TO ORDER:**

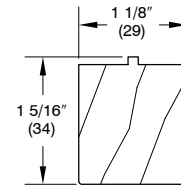
- length;



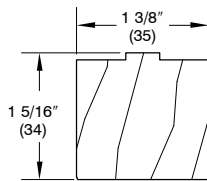
W12250 – Mull Extension,
 Horizontal
 CUDH and CUDHM



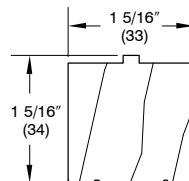
W12248 – Mull Extension
 Horizontal
 UDH-NG



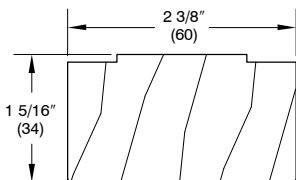
W12247 – Mull Extension
 Horizontal
 WUDH and WUDHM



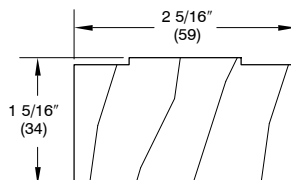
W12246 – Mull Extension
 UDH and UDHM



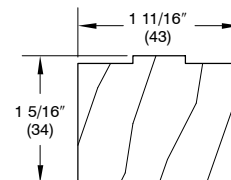
W12175 – Mull Extension
 UDH-NG



W12260 – 1" Mull Extension
 UDH and UDHM



W12256 – 1" Mull Extension
 UDH-NG



W12255 – 3/8" Mull Extension
 UDH-NG

When ordering replacement surrounds and screens, specify:

1. Original order number;
2. Unit type;
3. wood species;
4. finish;
5. fabric color
6. size; – If there is no existing surround from which to obtain the measurements of the surround or screen insert, determine the size by using measurement conversion chart below. The daylight opening is the measurement of the visible glass.

UCA Shade Surround	Width	Height
Frame OM to Surround OM	-4 5/16" (110)	-4 29/32" (125)
UCA Shade Surround Screen Insert	Width	Height
Frame OM to Screen Insert OM	-5 5/8" (143)	-6 7/32" (158)

DG Rectangle Shade Surround – Interior Mount 5/4	Width	Height
Frame OM to Surround OM	-2 9/32" (56)	-2 9/32" (56)
DG Rectangle Shade Surround – Interior Mount 4/4	Width	Height
Frame OM to Surround OM	-1 15/32" (37)	-1 15/32" (37)

Swinging Door, Side Lite and Transom Shade Surround	Width	Height
Daylight Opening to Shade Surround	+2 3/4" (70)	+2 15/16" (75)

CUDH – NG	Width	Height
Frame OM to Shade Surround OM	-1 13/32" (36)	-3 1/32" (77)
CUDH and CUDHM	Width	Height
Frame OM to Shade Surround OM	-1 15/32" (37)	-3 1/8" (79)
WUDH and WUDHM	Width	Height
Frame OM to Shade Surround OM	-1 15/32" (37)	-2 11/16" (68)
WUDHT and WUDHTM	Width	Height
Frame OM to Shade Surround OM	-1 15/32" (37)	-2 3/32" (53)

ORDERING REPLACEMENT INTEGRATED INTERIOR SHADE SYSTEM FOR SLIDING DOORS

To order replacement Integrated Interior Shade System specify:

1. Original order number;
2. Call number;
3. OM of panel;
4. daylight opening;
5. handing;
6. wood species;
7. finish
8. fabric color

