

Wood Ultimate Push Out Casement and Awning

Unit Features.....	1
Egress and Vent Openings: Push Out Casement - Full Frame and Replacement Frame	2
Daylight Measurements: Push Out Casement - Full Frame and Replacement Frame	6
Vent Openings: Push Out Awning - Full Frame and Replacement Frame.....	8
Daylight Measurements: Push Out Awning - Full Frame and Replacement Frame.....	10
Daylight Measurements: Picture - Full Frame and Replacement Frame	13
Minimum and Maximum Guidelines: Full Frame.....	15
Minimum and Maximum Guidelines: Full Frame CE Marked	16
Minimum and Maximum Guidelines: Replacement Frame.....	17
Certified Sizes and Ratings	18
Measurement Conversions: Push Out Casement and Awning	19
Egress Formulas: Push Out Casement.....	20
Vent Opening: Push Out Awning.....	21
Egress and Vent Openings - Push Out Replacement Casement.....	22
Vent Opening - Push Out Replacement Awning	23
Field Measurement for Replacement Units	24
Standard Unit Measurements: Push Out Casement - Full Frame and Replacement Frame	25
Standard Unit Measurements: Push Out Awning - Full Frame and Replacement Frame	26
Standard Unit Measurements: 3/4" Push Out Casement Picture - Full/Replacement Frame	27
Standard Unit Measurements: 1" Push Out Casement Picture - Full Frame	28
Section Details: Operating/Stationary - Push Out Casement/Awning - 3/4" (19) IG	29
Section Details: Operating/Stationary - Push Out Casement/Awning - 1" (25) IG	30
Section Details: Push Out Stationary/Picture - 3/4" (19) and 1" (25) IG.....	31
Section Details: Retractable Screen - Push Out Casement.....	32
Section Details: Retractable Screen - Push Out Awning.....	33
Section Details: 6 9/16" (167) Jambs, Wood Screen - Push Out Casement / Awning.....	34
Section Details: Wide Bottom Rail Option - Push Out Casement and Awning.....	35
Section Details: Full Frame Push Out Casement Mullion Options.....	36
Section Details: Full Frame Push Out Awning Mullion Options.....	37
Section Details: Push Out Replacement - Casement / Awning.....	38
Section Details: Push Out Replacement / Picture - Casement Frame	39
Section Details: Push Out Replacement / Picture - Double Hung Frame	40
Section Details: Retractable Screen - Push Out Replacement Casement / Awning	41
Section Details: Replacement Wide Bottom Rail Option.....	42
Section Details: Push Out Replacement Casement Mullion Options.....	43
Section Details: Push Out Replacement Awning Mullion Options.....	44

Wood Ultimate Push Out Casement and Awning

Unit Features

Wood Ultimate Push Out Casement: WUPCA

Wood Ultimate Push Out Awning: WUPAWN

Wood Ultimate Push Out Casement Picture: WUPCAP

Wood Ultimate Replacement Push Out Casement: WURPCA

Wood Ultimate Replacement Push Out Awning: WURPAWN

Wood Ultimate Replacement Push Out Casement Picture: WURPCAP

NOTE: Wood Ultimate Replacement Push Out Casement, Wood Ultimate Replacement Push Out Awning and Wood Ultimate Replacement Push Out Casement Picture are not available with CE mark.

WUPCA and WURPCA Hardware:

- Multi-point sequential system with a single lock handle actuation
 - Oil Rubbed Bronze plated finish handle standard
 - Stainless Steel option available
- Sequential multi-lock uses 2, 4, or 5 locking points depending on unit size
- Detachable Friction Limiter Device is used to hold sash in place and allow sash to lock open at multiple locations
 - Stainless Steel option available
- Hinges allow the user to slide the sash across the frame opening which causes the sash exterior to rotate towards the user for the easy wash mode
 - Stainless steel option available
- Units under 20" (508) width OM do not have the easy wash hinges
- Maximum sash weight is 145 lbs.(66 kg)

Factory Set Friction Sash Stop

CN Width	Frame to Sash Opening (With Factory Set Friction Sash Stop Setting +/- 1/2")	
	in	mm
CN 30	21"	(533)
CN 32	22 1/2"	(572)
CN 36	17"	(432)
CN 40	19 1/2"	(495)

NOTE: For Ultimate Push Out Replacement Casement units, add 1 1/2" to Frame to Sash Opening

The friction stop is not a window opening control device and is not ASTM F2090 compliant. It is not intended to and will not reduce the risk of child falls

WUPAWN and WUPRAWN Hardware:

- Lock is multi-point sequential lock system actuated by using lock handle
- There are two hinges that connect the stiles of the sash to the jambs of the frame
 - Material is steel coated with zinc finish
- Track is steel coated with zinc finish
- The hinges are four bar hinges and include a friction adjustment set screw
- Optional Stainless Steel hardware is available
- Hinges are designed to handle up to 129lb. (59 kg) sash

Wood Ultimate Push Out Casement and Awning

Egress and Vent Openings: Push Out Casement - Full Frame and Replacement Frame

CN	Clear Opening Width		Clear Opening Height		Egress Opening			Opening Vent Width		Opening Vent Height		Vent Opening	
	ft - in	mm	ft - in	mm	ft ²	m ²	E	ft - in	mm	ft - in	mm	ft ²	m ²
1616	0-7 21/64	(186)	0-11 3/64	(281)	0.56	(0.05)		1-0 7/8	(327)	0-11 3/64	(281)	0.99	(0.09)
1618	0-7 21/64	(186)	1-1 3/64	(331)	0.66	(0.06)		1-0 7/8	(327)	1-1 3/64	(331)	1.17	(0.11)
1620	0-7 21/64	(186)	1-3 3/64	(382)	0.77	(0.07)		1-0 7/8	(327)	1-3 3/64	(382)	1.35	(0.13)
1624	0-7 21/64	(186)	1-7 3/64	(484)	0.97	(0.09)		1-0 7/8	(327)	1-7 3/64	(484)	1.70	(0.16)
1628	0-7 21/64	(186)	1-11 3/64	(585)	1.17	(0.11)		1-0 7/8	(327)	1-11 3/64	(585)	2.06	(0.19)
1632	0-7 21/64	(186)	2-3 3/64	(687)	1.38	(0.13)		1-0 7/8	(327)	2-3 3/64	(687)	2.42	(0.22)
1636	0-7 21/64	(186)	2-7 3/64	(789)	1.58	(0.15)		1-0 7/8	(327)	2-7 3/64	(789)	2.78	(0.26)
1640	0-7 21/64	(186)	2-11 3/64	(890)	1.78	(0.17)		1-0 7/8	(327)	2-11 3/64	(890)	3.13	(0.29)
1644	0-7 21/64	(186)	3-3 3/64	(992)	1.99	(0.18)		1-0 7/8	(327)	3-3 3/64	(992)	3.49	(0.32)
1648	0-7 21/64	(186)	3-7 3/64	(1093)	2.19	(0.20)		1-0 7/8	(327)	3-7 3/64	(1093)	3.85	(0.36)
1654	0-7 21/64	(186)	4-1 3/64	(1246)	2.50	(0.23)		1-0 7/8	(327)	4-1 3/64	(1246)	4.39	(0.41)
1656	0-7 21/64	(186)	4-3 3/64	(1297)	2.60	(0.24)		1-0 7/8	(327)	4-3 3/64	(1297)	4.56	(0.42)
1660	0-7 21/64	(186)	4-7 3/64	(1398)	2.80	(0.26)		1-0 7/8	(327)	4-7 3/64	(1398)	4.92	(0.46)
1664	0-7 21/64	(186)	4-11 3/64	(1500)	3.00	(0.28)		1-0 7/8	(327)	4-11 3/64	(1500)	5.28	(0.49)
1672 T	0-7 21/64	(186)	5-7 3/64	(1703)	3.41	(0.32)		1-0 7/8	(327)	5-7 3/64	(1703)	5.99	(0.56)
1678 T	0-7 21/64	(186)	6-1 3/64	(1855)	3.72	(0.35)		1-0 7/8	(327)	6-1 3/64	(1855)	6.53	(0.61)
1684 T	0-7 21/64	(186)	6-7 3/64	(2008)	4.02	(0.37)		1-0 7/8	(327)	6-7 3/64	(2008)	7.07	(0.66)
1692 T	0-7 21/64	(186)	7-3 3/64	(2211)	4.43	(0.41)		1-0 7/8	(327)	7-3 3/64	(2211)	7.78	(0.72)
1696 T	0-7 21/64	(186)	7-7 3/64	(2313)	4.63	(0.43)		1-0 7/8	(327)	7-7 3/64	(2313)	8.14	(0.76)
1816	0-9 21/64	(237)	0-11 3/64	(281)	0.72	(0.07)		1-2 7/8	(378)	0-11 3/64	(281)	1.14	(0.11)
1818	0-9 21/64	(237)	1-1 3/64	(331)	0.85	(0.08)		1-2 7/8	(378)	1-1 3/64	(331)	1.35	(0.13)
1820	0-9 21/64	(237)	1-3 3/64	(382)	0.97	(0.09)		1-2 7/8	(378)	1-3 3/64	(382)	1.55	(0.14)
1824	0-9 21/64	(237)	1-7 3/64	(484)	1.23	(0.11)		1-2 7/8	(378)	1-7 3/64	(484)	1.97	(0.18)
1828	0-9 21/64	(237)	1-11 3/64	(585)	1.49	(0.14)		1-2 7/8	(378)	1-11 3/64	(585)	2.38	(0.22)
1832	0-9 21/64	(237)	2-3 3/64	(687)	1.75	(0.16)		1-2 7/8	(378)	2-3 3/64	(687)	2.79	(0.26)
1836	0-9 21/64	(237)	2-7 3/64	(789)	2.01	(0.19)		1-2 7/8	(378)	2-7 3/64	(789)	3.21	(0.30)
1840	0-9 21/64	(237)	2-11 3/64	(890)	2.27	(0.21)		1-2 7/8	(378)	2-11 3/64	(890)	3.62	(0.34)
1844	0-9 21/64	(237)	3-3 3/64	(992)	2.53	(0.23)		1-2 7/8	(378)	3-3 3/64	(992)	4.03	(0.37)
1848	0-9 21/64	(237)	3-7 3/64	(1093)	2.79	(0.26)		1-2 7/8	(378)	3-7 3/64	(1093)	4.45	(0.41)
1854	0-9 21/64	(237)	4-1 3/64	(1246)	3.18	(0.30)		1-2 7/8	(378)	4-1 3/64	(1246)	5.07	(0.47)
1856	0-9 21/64	(237)	4-3 3/64	(1297)	3.31	(0.31)		1-2 7/8	(378)	4-3 3/64	(1297)	5.27	(0.49)
1860	0-9 21/64	(237)	4-7 3/64	(1398)	3.57	(0.33)		1-2 7/8	(378)	4-7 3/64	(1398)	5.69	(0.53)
1864	0-9 21/64	(237)	4-11 3/64	(1500)	3.82	(0.36)		1-2 7/8	(378)	4-11 3/64	(1500)	6.10	(0.57)
1872 T	0-9 21/64	(237)	5-7 3/64	(1703)	4.34	(0.40)		1-2 7/8	(378)	5-7 3/64	(1703)	6.93	(0.64)
1878 T	0-9 21/64	(237)	6-1 3/64	(1855)	4.73	(0.44)		1-2 7/8	(378)	6-1 3/64	(1855)	7.55	(0.70)
1884 T	0-9 21/64	(237)	6-7 3/64	(2008)	5.12	(0.48)		1-2 7/8	(378)	6-7 3/64	(2008)	8.17	(0.76)
1892 T	0-9 21/64	(237)	7-3 3/64	(2211)	5.64	(0.52)		1-2 7/8	(378)	7-3 3/64	(2211)	8.99	(0.84)
1896 T	0-9 21/64	(237)	7-7 3/64	(2313)	5.90	(0.55)		1-2 7/8	(378)	7-7 3/64	(2313)	9.40	(0.87)
2016	1-1 13/16	(351)	0-11 3/64	(281)	1.06	(0.10)		1-4 7/8	(429)	0-11 3/64	(281)	1.29	(0.12)
2018	1-1 13/16	(351)	1-1 3/64	(331)	1.25	(0.12)		1-4 7/8	(429)	1-1 3/64	(331)	1.53	(0.14)
2020	1-1 13/16	(351)	1-3 3/64	(382)	1.44	(0.13)		1-4 7/8	(429)	1-3 3/64	(382)	1.76	(0.16)
2024	1-1 13/16	(351)	1-7 3/64	(484)	1.83	(0.17)		1-4 7/8	(429)	1-7 3/64	(484)	2.23	(0.21)
2028	1-1 13/16	(351)	1-11 3/64	(585)	2.21	(0.21)		1-4 7/8	(429)	1-11 3/64	(585)	2.70	(0.25)
2032	1-1 13/16	(351)	2-3 3/64	(687)	2.60	(0.24)		1-4 7/8	(429)	2-3 3/64	(687)	3.17	(0.29)
2036	1-1 13/16	(351)	2-7 3/64	(789)	2.98	(0.28)		1-4 7/8	(429)	2-7 3/64	(789)	3.64	(0.34)
2040	1-1 13/16	(351)	2-11 3/64	(890)	3.36	(0.31)		1-4 7/8	(429)	2-11 3/64	(890)	4.11	(0.38)
2044	1-1 13/16	(351)	3-3 3/64	(992)	3.75	(0.35)		1-4 7/8	(429)	3-3 3/64	(992)	4.58	(0.43)
2048	1-1 13/16	(351)	3-7 3/64	(1093)	4.13	(0.38)		1-4 7/8	(429)	3-7 3/64	(1093)	5.04	(0.47)

NOTE: Refer to Product Performance Chapter for International Building Code information. Clear Opening drawings are located in individual chapters with conversion tables.

Wood Ultimate Push Out Casement and Awning

Egress and Vent Openings: Push Out Casement - Full Frame and Replacement Frame

CN	Clear Opening Width		Clear Opening Height		Egress Opening			Opening Vent Width		Opening Vent Height		Vent Opening	
	ft - in	mm	ft - in	mm	ft ²	m ²	E	ft - in	mm	ft - in	mm	ft ²	m ²
2054	1-1 13/16	(351)	4-1 3/64	(1246)	4.71	(0.44)		1-4 7/8	(429)	4-1 3/64	(1246)	5.75	(0.53)
2056	1-1 13/16	(351)	4-3 3/64	(1297)	4.90	(0.46)		1-4 7/8	(429)	4-3 3/64	(1297)	5.98	(0.56)
2060	1-1 13/16	(351)	4-7 3/64	(1398)	5.28	(0.49)		1-4 7/8	(429)	4-7 3/64	(1398)	6.45	(0.60)
2064	1-1 13/16	(351)	4-11 3/64	(1500)	5.67	(0.53)		1-4 7/8	(429)	4-11 3/64	(1500)	6.92	(0.64)
2072 T	1-1 13/16	(351)	5-7 3/64	(1703)	6.43	(0.60)		1-4 7/8	(429)	5-7 3/64	(1703)	7.86	(0.73)
2078 T	1-1 13/16	(351)	6-1 3/64	(1855)	7.01	(0.65)		1-4 7/8	(429)	6-1 3/64	(1855)	8.56	(0.80)
2084 T	1-1 13/16	(351)	6-7 3/64	(2008)	7.58	(0.70)		1-4 7/8	(429)	6-7 3/64	(2008)	9.26	(0.86)
2092 T	1-1 13/16	(351)	7-3 3/64	(2211)	8.35	(0.78)		1-4 7/8	(429)	7-3 3/64	(2211)	10.20	(0.95)
2096 T	1-1 13/16	(351)	7-7 3/64	(2313)	8.74	(0.81)		1-4 7/8	(429)	7-7 3/64	(2313)	10.67	(0.99)
2416	1-5 13/16	(453)	0-11 3/64	(281)	1.37	(0.13)		1-8 7/8	(530)	0-11 3/64	(281)	1.60	(0.15)
2418	1-5 13/16	(453)	1-1 3/64	(331)	1.61	(0.15)		1-8 7/8	(530)	1-1 3/64	(331)	1.89	(0.18)
2420	1-5 13/16	(453)	1-3 3/64	(382)	1.86	(0.17)		1-8 7/8	(530)	1-3 3/64	(382)	2.18	(0.20)
2424	1-5 13/16	(453)	1-7 3/64	(484)	2.36	(0.22)		1-8 7/8	(530)	1-7 3/64	(484)	2.76	(0.26)
2428	1-5 13/16	(453)	1-11 3/64	(585)	2.85	(0.26)		1-8 7/8	(530)	1-11 3/64	(585)	3.34	(0.31)
2432	1-5 13/16	(453)	2-3 3/64	(687)	3.35	(0.31)		1-8 7/8	(530)	2-3 3/64	(687)	3.92	(0.36)
2436	1-5 13/16	(453)	2-7 3/64	(789)	3.84	(0.36)		1-8 7/8	(530)	2-7 3/64	(789)	4.50	(0.42)
2440	1-5 13/16	(453)	2-11 3/64	(890)	4.34	(0.40)		1-8 7/8	(530)	2-11 3/64	(890)	5.08	(0.47)
2444	1-5 13/16	(453)	3-3 3/64	(992)	4.83	(0.45)		1-8 7/8	(530)	3-3 3/64	(992)	5.66	(0.53)
2448	1-5 13/16	(453)	3-7 3/64	(1093)	5.33	(0.49)		1-8 7/8	(530)	3-7 3/64	(1093)	6.24	(0.58)
2454	1-5 13/16	(453)	4-1 3/64	(1246)	6.07	(0.56)		1-8 7/8	(530)	4-1 3/64	(1246)	7.11	(0.66)
2456	1-5 13/16	(453)	4-3 3/64	(1297)	6.32	(0.59)		1-8 7/8	(530)	4-3 3/64	(1297)	7.40	(0.69)
2460	1-5 13/16	(453)	4-7 3/64	(1398)	6.81	(0.63)		1-8 7/8	(530)	4-7 3/64	(1398)	7.98	(0.74)
2464	1-5 13/16	(453)	4-11 3/64	(1500)	7.31	(0.68)		1-8 7/8	(530)	4-11 3/64	(1500)	8.56	(0.80)
2472 T	1-5 13/16	(453)	5-7 3/64	(1703)	8.30	(0.77)		1-8 7/8	(530)	5-7 3/64	(1703)	9.72	(0.90)
2478 T	1-5 13/16	(453)	6-1 3/64	(1855)	9.04	(0.84)		1-8 7/8	(530)	6-1 3/64	(1855)	10.59	(0.98)
2484 T	1-5 13/16	(453)	6-7 3/64	(2008)	9.78	(0.91)		1-8 7/8	(530)	6-7 3/64	(2008)	11.46	(1.06)
2492 T	1-5 13/16	(453)	7-3 3/64	(2211)	10.77	(1.00)		1-8 7/8	(530)	7-3 3/64	(2211)	12.62	(1.17)
2496 T	1-5 13/16	(453)	7-7 3/64	(2313)	11.27	(1.05)		1-8 7/8	(530)	7-7 3/64	(2313)	13.20	(1.23)
2616	1-7 13/16	(503)	0-11 3/64	(281)	1.52	(0.14)		1-10 7/8	(581)	0-11 3/64	(281)	1.76	(0.16)
2618	1-7 13/16	(503)	1-1 3/64	(331)	1.80	(0.17)		1-10 7/8	(581)	1-1 3/64	(331)	2.07	(0.19)
2620	1-7 13/16	(503)	1-3 3/64	(382)	2.07	(0.19)		1-10 7/8	(581)	1-3 3/64	(382)	2.39	(0.22)
2624	1-7 13/16	(503)	1-7 3/64	(484)	2.62	(0.24)		1-10 7/8	(581)	1-7 3/64	(484)	3.03	(0.28)
2628	1-7 13/16	(503)	1-11 3/64	(585)	3.17	(0.29)		1-10 7/8	(581)	1-11 3/64	(585)	3.66	(0.34)
2632	1-7 13/16	(503)	2-3 3/64	(687)	3.72	(0.35)		1-10 7/8	(581)	2-3 3/64	(687)	4.30	(0.40)
2636	1-7 13/16	(503)	2-7 3/64	(789)	4.27	(0.40)		1-10 7/8	(581)	2-7 3/64	(789)	4.93	(0.46)
2640	1-7 13/16	(503)	2-11 3/64	(890)	4.82	(0.45)		1-10 7/8	(581)	2-11 3/64	(890)	5.57	(0.52)
2644	1-7 13/16	(503)	3-3 3/64	(992)	5.37	(0.50)		1-10 7/8	(581)	3-3 3/64	(992)	6.20	(0.58)
2648	1-7 13/16	(503)	3-7 3/64	(1093)	5.92	(0.55)		1-10 7/8	(581)	3-7 3/64	(1093)	6.84	(0.64)
2654	1-7 13/16	(503)	4-1 3/64	(1246)	6.75	(0.63)		1-10 7/8	(581)	4-1 3/64	(1246)	7.79	(0.72)
2656	1-7 13/16	(503)	4-3 3/64	(1297)	7.03	(0.65)		1-10 7/8	(581)	4-3 3/64	(1297)	8.11	(0.75)
2660	1-7 13/16	(503)	4-7 3/64	(1398)	7.58	(0.70)		1-10 7/8	(581)	4-7 3/64	(1398)	8.74	(0.81)
2664	1-7 13/16	(503)	4-11 3/64	(1500)	8.13	(0.75)		1-10 7/8	(581)	4-11 3/64	(1500)	9.38	(0.87)
2672 T	1-7 13/16	(503)	5-7 3/64	(1703)	9.23	(0.86)		1-10 7/8	(581)	5-7 3/64	(1703)	10.65	(0.99)
2678 T	1-7 13/16	(503)	6-1 3/64	(1855)	10.05	(0.93)		1-10 7/8	(581)	6-1 3/64	(1855)	11.60	(1.08)
2684 T	1-7 13/16	(503)	6-7 3/64	(2008)	10.88	(1.01)		1-10 7/8	(581)	6-7 3/64	(2008)	12.56	(1.17)
2692 T	1-7 13/16	(503)	7-3 3/64	(2211)	11.98	(1.11)		1-10 7/8	(581)	7-3 3/64	(2211)	13.83	(1.28)
2696 T	1-7 13/16	(503)	7-7 3/64	(2313)	12.53	(1.16)		1-10 7/8	(581)	7-7 3/64	(2313)	14.46	(1.34)
2816	1-9 13/16	(554)	0-11 3/64	(281)	1.67	(0.16)		2-0 7/8	(632)	0-11 3/64	(281)	1.91	(0.18)
2818	1-9 13/16	(554)	1-1 3/64	(331)	1.98	(0.18)		2-0 7/8	(632)	1-1 3/64	(331)	2.25	(0.21)

NOTE: Refer to Product Performance Chapter for International Building Code information. Clear Opening drawings are located in individual chapters with conversion tables.

Wood Ultimate Push Out Casement and Awning

Egress and Vent Openings: Push Out Casement - Full Frame and Replacement Frame

CN	Clear Opening Width		Clear Opening Height		Egress Opening			Opening Vent Width		Opening Vent Height		Vent Opening	
	ft - in	mm	ft - in	mm	ft ²	m ²	E	ft - in	mm	ft - in	mm	ft ²	m ²
2820	1-9 13/16	(554)	1-3 3/64	(382)	2.28	(0.21)		2-0 7/8	(632)	1-3 3/64	(382)	2.60	(0.24)
2824	1-9 13/16	(554)	1-7 3/64	(484)	2.89	(0.27)		2-0 7/8	(632)	1-7 3/64	(484)	3.29	(0.31)
2828	1-9 13/16	(554)	1-11 3/64	(585)	3.49	(0.32)		2-0 7/8	(632)	1-11 3/64	(585)	3.98	(0.37)
2832	1-9 13/16	(554)	2-3 3/64	(687)	4.10	(0.38)		2-0 7/8	(632)	2-3 3/64	(687)	4.67	(0.43)
2836	1-9 13/16	(554)	2-7 3/64	(789)	4.70	(0.44)		2-0 7/8	(632)	2-7 3/64	(789)	5.36	(0.50)
2840	1-9 13/16	(554)	2-11 3/64	(890)	5.31	(0.49)		2-0 7/8	(632)	2-11 3/64	(890)	6.05	(0.56)
2844	1-9 13/16	(554)	3-3 3/64	(992)	5.92	(0.55)	E	2-0 7/8	(632)	3-3 3/64	(992)	6.75	(0.63)
2848	1-9 13/16	(554)	3-7 3/64	(1093)	6.52	(0.61)	E	2-0 7/8	(632)	3-7 3/64	(1093)	7.44	(0.69)
2854	1-9 13/16	(554)	4-1 3/64	(1246)	7.43	(0.69)	E	2-0 7/8	(632)	4-1 3/64	(1246)	8.47	(0.79)
2856	1-9 13/16	(554)	4-3 3/64	(1297)	7.73	(0.72)	E	2-0 7/8	(632)	4-3 3/64	(1297)	8.82	(0.82)
2860	1-9 13/16	(554)	4-7 3/64	(1398)	8.34	(0.77)	E	2-0 7/8	(632)	4-7 3/64	(1398)	9.51	(0.88)
2864	1-9 13/16	(554)	4-11 3/64	(1500)	8.95	(0.83)	E	2-0 7/8	(632)	4-11 3/64	(1500)	10.20	(0.95)
2872 T	1-9 13/16	(554)	5-7 3/64	(1703)	10.16	(0.94)	E	2-0 7/8	(632)	5-7 3/64	(1703)	11.58	(1.08)
2878 T	1-9 13/16	(554)	6-1 3/64	(1855)	11.07	(1.03)	E	2-0 7/8	(632)	6-1 3/64	(1855)	12.62	(1.17)
2884 T	1-9 13/16	(554)	6-7 3/64	(2008)	11.98	(1.11)	E	2-0 7/8	(632)	6-7 3/64	(2008)	13.65	(1.27)
2892 T	1-9 13/16	(554)	7-3 3/64	(2211)	13.19	(1.23)	E	2-0 7/8	(632)	7-3 3/64	(2211)	15.04	(1.40)
2896 T	1-9 13/16	(554)	7-7 3/64	(2313)	13.79	(1.28)	E	2-0 7/8	(632)	7-7 3/64	(2313)	15.73	(1.46)
3016	1-11 13/16	(605)	0-11 3/64	(281)	1.83	(0.17)		2-2 7/8	(683)	0-11 3/64	(281)	2.06	(0.19)
3018	1-11 13/16	(605)	1-1 3/64	(331)	2.16	(0.20)		2-2 7/8	(683)	1-1 3/64	(331)	2.44	(0.23)
3020	1-11 13/16	(605)	1-3 3/64	(382)	2.49	(0.23)		2-2 7/8	(683)	1-3 3/64	(382)	2.81	(0.26)
3024	1-11 13/16	(605)	1-7 3/64	(484)	3.15	(0.29)		2-2 7/8	(683)	1-7 3/64	(484)	3.56	(0.33)
3028	1-11 13/16	(605)	1-11 3/64	(585)	3.81	(0.35)		2-2 7/8	(683)	1-11 3/64	(585)	4.30	(0.40)
3032	1-11 13/16	(605)	2-3 3/64	(687)	4.47	(0.42)		2-2 7/8	(683)	2-3 3/64	(687)	5.05	(0.47)
3036	1-11 13/16	(605)	2-7 3/64	(789)	5.14	(0.48)		2-2 7/8	(683)	2-7 3/64	(789)	5.79	(0.54)
3040	1-11 13/16	(605)	2-11 3/64	(890)	5.80	(0.54)	E	2-2 7/8	(683)	2-11 3/64	(890)	6.54	(0.61)
3044	1-11 13/16	(605)	3-3 3/64	(992)	6.46	(0.60)	E	2-2 7/8	(683)	3-3 3/64	(992)	7.29	(0.68)
3048	1-11 13/16	(605)	3-7 3/64	(1093)	7.12	(0.66)	E	2-2 7/8	(683)	3-7 3/64	(1093)	8.03	(0.75)
3054	1-11 13/16	(605)	4-1 3/64	(1246)	8.11	(0.75)	E	2-2 7/8	(683)	4-1 3/64	(1246)	9.15	(0.85)
3056	1-11 13/16	(605)	4-3 3/64	(1297)	8.44	(0.78)	E	2-2 7/8	(683)	4-3 3/64	(1297)	9.53	(0.89)
3060	1-11 13/16	(605)	4-7 3/64	(1398)	9.10	(0.85)	E	2-2 7/8	(683)	4-7 3/64	(1398)	10.27	(0.95)
3064	1-11 13/16	(605)	4-11 3/64	(1500)	9.77	(0.91)	E	2-2 7/8	(683)	4-11 3/64	(1500)	11.02	(1.02)
3072 T	1-11 13/16	(605)	5-7 3/64	(1703)	11.09	(1.03)	E	2-2 7/8	(683)	5-7 3/64	(1703)	12.51	(1.16)
3078 T	1-11 13/16	(605)	6-1 3/64	(1855)	12.08	(1.12)	E	2-2 7/8	(683)	6-1 3/64	(1855)	13.63	(1.27)
3084 T	1-11 13/16	(605)	6-7 3/64	(2008)	13.07	(1.21)	E	2-2 7/8	(683)	6-7 3/64	(2008)	14.75	(1.37)
3092 T	1-11 13/16	(605)	7-3 3/64	(2211)	14.40	(1.34)	E	2-2 7/8	(683)	7-3 3/64	(2211)	16.25	(1.51)
3096 T	1-11 13/16	(605)	7-7 3/64	(2313)	15.06	(1.40)	E	2-2 7/8	(683)	7-7 3/64	(2313)	16.99	(1.58)
3216	2-1 13/16	(656)	0-11 3/64	(281)	1.98	(0.18)		2-4 7/8	(733)	0-11 3/64	(281)	2.22	(0.21)
3218	2-1 13/16	(656)	1-1 3/64	(331)	2.34	(0.22)		2-4 7/8	(733)	1-1 3/64	(331)	2.62	(0.24)
3220	2-1 13/16	(656)	1-3 3/64	(382)	2.70	(0.25)		2-4 7/8	(733)	1-3 3/64	(382)	3.02	(0.28)
3224	2-1 13/16	(656)	1-7 3/64	(484)	3.42	(0.32)		2-4 7/8	(733)	1-7 3/64	(484)	3.82	(0.35)
3228	2-1 13/16	(656)	1-11 3/64	(585)	4.13	(0.38)		2-4 7/8	(733)	1-11 3/64	(585)	4.62	(0.43)
3232	2-1 13/16	(656)	2-3 3/64	(687)	4.85	(0.45)		2-4 7/8	(733)	2-3 3/64	(687)	5.42	(0.50)
3236	2-1 13/16	(656)	2-7 3/64	(789)	5.57	(0.52)		2-4 7/8	(733)	2-7 3/64	(789)	6.23	(0.58)
3240	2-1 13/16	(656)	2-11 3/64	(890)	6.28	(0.58)	E	2-4 7/8	(733)	2-11 3/64	(890)	7.03	(0.65)
3244	2-1 13/16	(656)	3-3 3/64	(992)	7.00	(0.65)	E	2-4 7/8	(733)	3-3 3/64	(992)	7.83	(0.73)
3248	2-1 13/16	(656)	3-7 3/64	(1093)	7.72	(0.72)	E	2-4 7/8	(733)	3-7 3/64	(1093)	8.63	(0.80)
3254	2-1 13/16	(656)	4-1 3/64	(1246)	8.79	(0.82)	E	2-4 7/8	(733)	4-1 3/64	(1246)	9.84	(0.91)
3256	2-1 13/16	(656)	4-3 3/64	(1297)	9.15	(0.85)	E	2-4 7/8	(733)	4-3 3/64	(1297)	10.24	(0.95)
3260	2-1 13/16	(656)	4-7 3/64	(1398)	9.87	(0.92)	E	2-4 7/8	(733)	4-7 3/64	(1398)	11.04	(1.03)
3264	2-1 13/16	(656)	4-11 3/64	(1500)	10.59	(0.98)	E	2-4 7/8	(733)	4-11 3/64	(1500)	11.84	(1.10)

NOTE: Refer to Product Performance Chapter for International Building Code information. Clear Opening drawings are located in individual chapters with conversion tables.

Wood Ultimate Push Out Casement and Awning

Egress and Vent Openings: Push Out Casement - Full Frame and Replacement Frame

CN	Clear Opening Width		Clear Opening Height		Egress Opening			Opening Vent Width		Opening Vent Height		Vent Opening	
	ft - in	mm	ft - in	mm	ft ²	m ²	E	ft - in	mm	ft - in	mm	ft ²	m ²
3272 T	2-1 13/16	(656)	5-7 3/64	(1703)	12.02	(1.12)	E	2-4 7/8	(733)	5-7 3/64	(1703)	13.44	(1.25)
3278 T	2-1 13/16	(656)	6-1 3/64	(1855)	13.10	(1.22)	E	2-4 7/8	(733)	6-1 3/64	(1855)	14.65	(1.36)
3284 T	2-1 13/16	(656)	6-7 3/64	(2008)	14.17	(1.32)	E	2-4 7/8	(733)	6-7 3/64	(2008)	15.85	(1.47)
3292 T	2-1 13/16	(656)	7-3 3/64	(2211)	15.61	(1.45)	E	2-4 7/8	(733)	7-3 3/64	(2211)	17.45	(1.62)
3296 T	2-1 13/16	(656)	7-7 3/64	(2313)	16.32	(1.52)	E	2-4 7/8	(733)	7-7 3/64	(2313)	18.26	(1.70)
3616	2-5 13/16	(757)	0-11 3/64	(281)	2.29	(0.21)		2-8 7/8	(835)	0-11 3/64	(281)	2.52	(0.23)
3618	2-5 13/16	(757)	1-1 3/64	(331)	2.70	(0.25)		2-8 7/8	(835)	1-1 3/64	(331)	2.98	(0.28)
3620	2-5 13/16	(757)	1-3 3/64	(382)	3.12	(0.29)		2-8 7/8	(835)	1-3 3/64	(382)	3.44	(0.32)
3624	2-5 13/16	(757)	1-7 3/64	(484)	3.94	(0.37)		2-8 7/8	(835)	1-7 3/64	(484)	4.35	(0.40)
3628	2-5 13/16	(757)	1-11 3/64	(585)	4.77	(0.44)		2-8 7/8	(835)	1-11 3/64	(585)	5.26	(0.49)
3632	2-5 13/16	(757)	2-3 3/64	(687)	5.60	(0.52)		2-8 7/8	(835)	2-3 3/64	(687)	6.18	(0.57)
3636	2-5 13/16	(757)	2-7 3/64	(789)	6.43	(0.60)	E	2-8 7/8	(835)	2-7 3/64	(789)	7.09	(0.66)
3640	2-5 13/16	(757)	2-11 3/64	(890)	7.26	(0.67)	E	2-8 7/8	(835)	2-11 3/64	(890)	8.00	(0.74)
3644	2-5 13/16	(757)	3-3 3/64	(992)	8.09	(0.75)	E	2-8 7/8	(835)	3-3 3/64	(992)	8.92	(0.83)
3648	2-5 13/16	(757)	3-7 3/64	(1093)	8.91	(0.83)	E	2-8 7/8	(835)	3-7 3/64	(1093)	9.83	(0.91)
3654	2-5 13/16	(757)	4-1 3/64	(1246)	10.16	(0.94)	E	2-8 7/8	(835)	4-1 3/64	(1246)	11.20	(1.04)
3656	2-5 13/16	(757)	4-3 3/64	(1297)	10.57	(0.98)	E	2-8 7/8	(835)	4-3 3/64	(1297)	11.65	(1.08)
3660	2-5 13/16	(757)	4-7 3/64	(1398)	11.40	(1.06)	E	2-8 7/8	(835)	4-7 3/64	(1398)	12.57	(1.17)
3664	2-5 13/16	(757)	4-11 3/64	(1500)	12.23	(1.14)	E	2-8 7/8	(835)	4-11 3/64	(1500)	13.48	(1.25)
3672 T	2-5 13/16	(757)	5-7 3/64	(1703)	13.88	(1.29)	E	2-8 7/8	(835)	5-7 3/64	(1703)	15.31	(1.42)
3678 T	2-5 13/16	(757)	6-1 3/64	(1855)	15.13	(1.41)	E	2-8 7/8	(835)	6-1 3/64	(1855)	16.68	(1.55)
3684 T	2-5 13/16	(757)	6-7 3/64	(2008)	16.37	(1.52)	E	2-8 7/8	(835)	6-7 3/64	(2008)	18.05	(1.68)
3692 T	2-5 13/16	(757)	7-3 3/64	(2211)	18.02	(1.67)	E	2-8 7/8	(835)	7-3 3/64	(2211)	19.87	(1.85)
3696 T	2-5 13/16	(757)	7-7 3/64	(2313)	18.85	(1.75)	E	2-8 7/8	(835)	7-7 3/64	(2313)	20.79	(1.93)
4016	2-9 13/16	(859)	0-11 3/64	(281)	2.60	(0.24)		3-0 7/8	(937)	0-11 3/64	(281)	2.83	(0.26)
4018	2-9 13/16	(859)	1-1 3/64	(331)	3.06	(0.28)		3-0 7/8	(937)	1-1 3/64	(331)	3.34	(0.31)
4020	2-9 13/16	(859)	1-3 3/64	(382)	3.53	(0.33)		3-0 7/8	(937)	1-3 3/64	(382)	3.85	(0.36)
4024	2-9 13/16	(859)	1-7 3/64	(484)	4.47	(0.42)		3-0 7/8	(937)	1-7 3/64	(484)	4.88	(0.45)
4028	2-9 13/16	(859)	1-11 3/64	(585)	5.41	(0.50)		3-0 7/8	(937)	1-11 3/64	(585)	5.90	(0.55)
4032	2-9 13/16	(859)	2-3 3/64	(687)	6.35	(0.59)	E	3-0 7/8	(937)	2-3 3/64	(687)	6.93	(0.64)
4036	2-9 13/16	(859)	2-7 3/64	(789)	7.29	(0.68)	E	3-0 7/8	(937)	2-7 3/64	(789)	7.95	(0.74)
4040	2-9 13/16	(859)	2-11 3/64	(890)	8.23	(0.76)	E	3-0 7/8	(937)	2-11 3/64	(890)	8.98	(0.83)
4044	2-9 13/16	(859)	3-3 3/64	(992)	9.17	(0.85)	E	3-0 7/8	(937)	3-3 3/64	(992)	10.00	(0.93)
4048	2-9 13/16	(859)	3-7 3/64	(1093)	10.11	(0.94)	E	3-0 7/8	(937)	3-7 3/64	(1093)	11.02	(1.02)
4054	2-9 13/16	(859)	4-1 3/64	(1246)	11.52	(1.07)	E	3-0 7/8	(937)	4-1 3/64	(1246)	12.56	(1.17)
4056	2-9 13/16	(859)	4-3 3/64	(1297)	11.99	(1.11)	E	3-0 7/8	(937)	4-3 3/64	(1297)	13.07	(1.21)
4060	2-9 13/16	(859)	4-7 3/64	(1398)	12.93	(1.20)	E	3-0 7/8	(937)	4-7 3/64	(1398)	14.10	(1.31)
4064	2-9 13/16	(859)	4-11 3/64	(1500)	13.87	(1.29)	E	3-0 7/8	(937)	4-11 3/64	(1500)	15.12	(1.40)
4072 T	2-9 13/16	(859)	5-7 3/64	(1703)	15.75	(1.46)	E	3-0 7/8	(937)	5-7 3/64	(1703)	17.17	(1.60)
4078 T	2-9 13/16	(859)	6-1 3/64	(1855)	17.15	(1.59)	E	3-0 7/8	(937)	6-1 3/64	(1855)	18.71	(1.74)
4084 T	2-9 13/16	(859)	6-7 3/64	(2008)	18.56	(1.72)	E	3-0 7/8	(937)	6-7 3/64	(2008)	20.24	(1.88)
4092 T	2-9 13/16	(859)	7-3 3/64	(2211)	20.44	(1.90)	E	3-0 7/8	(937)	7-3 3/64	(2211)	22.29	(2.07)

NOTE: Refer to Product Performance Chapter for International Building Code information. Clear Opening drawings are located in individual chapters with conversion tables.

Daylight Measurements: Push Out Casement - Full Frame and Replacement Frame

Wood Ultimate Push Out Casement Daylight Measurements			Width										
			CN	16		18		20		24		26	
			DLO	0-10 3/16	(259)	1-0 3/16	(310)	1-2 3/16	(360)	1-6 3/16	(462)	1-8 3/16	(513)
CN	DLO Height		Square Feet (Square Meters)										
Standard Bottom Rail													
16	0-9 5/16	(237)	0.66	(0.06)	0.79	(0.07)	0.92	(0.09)	1.18	(0.11)	1.31	(0.12)	
18	0-11 5/16	(287)	0.80	(0.07)	0.96	(0.09)	1.11	(0.10)	1.43	(0.13)	1.59	(0.15)	
20	1-1 5/16	(338)	0.94	(0.09)	1.13	(0.10)	1.31	(0.12)	1.68	(0.16)	1.87	(0.17)	
24	1-5 5/16	(440)	1.22	(0.11)	1.47	(0.14)	1.71	(0.16)	2.19	(0.20)	2.43	(0.23)	
28	1-9 5/16	(541)	1.51	(0.14)	1.80	(0.17)	2.10	(0.20)	2.69	(0.25)	2.99	(0.28)	
32	2-1 5/16	(643)	1.79	(0.17)	2.14	(0.20)	2.49	(0.23)	3.20	(0.30)	3.55	(0.33)	
36	2-5 5/16	(745)	2.07	(0.19)	2.48	(0.23)	2.89	(0.27)	3.70	(0.34)	4.11	(0.38)	
40	2-9 5/16	(846)	2.36	(0.22)	2.82	(0.26)	3.28	(0.30)	4.21	(0.39)	4.67	(0.43)	
44	3-1 5/16	(948)	2.64	(0.25)	3.16	(0.29)	3.68	(0.34)	4.71	(0.44)	5.23	(0.49)	
48	3-5 5/16	(1049)	2.92	(0.27)	3.50	(0.32)	4.07	(0.38)	5.22	(0.48)	5.79	(0.54)	
54	3-11 5/16	(1202)	3.35	(0.31)	4.00	(0.37)	4.66	(0.43)	5.98	(0.56)	6.63	(0.62)	
56	4-1 5/16	(1253)	3.49	(0.32)	4.17	(0.39)	4.86	(0.45)	6.23	(0.58)	6.91	(0.64)	
60	4-5 5/16	(1354)	3.77	(0.35)	4.51	(0.42)	5.25	(0.49)	6.73	(0.63)	7.47	(0.69)	
64	4-9 5/16	(1456)	4.05	(0.38)	4.85	(0.45)	5.65	(0.52)	7.24	(0.67)	8.03	(0.75)	
72	5-5 5/16	(1659)	4.62	(0.43)	5.53	(0.51)	6.43	(0.60)	8.25	(0.77)	9.16	(0.85)	
78	5-11 5/16	(1811)	5.04	(0.47)	6.04	(0.56)	7.03	(0.65)	9.01	(0.84)	10.00	(0.93)	
84	6-5 5/16	(1964)	5.47	(0.51)	6.54	(0.61)	7.62	(0.71)	9.76	(0.91)	10.84	(1.01)	
92	7-1 5/16	(2167)	6.04	(0.56)	7.22	(0.67)	8.41	(0.78)	10.77	(1.00)	11.96	(1.11)	
96	7-5 5/16	(2269)	6.32	(0.59)	7.56	(0.70)	8.80	(0.82)	11.28	(1.05)	12.52	(1.16)	
Tall Bottom Rail													
16	0-7 13/16	(198)	0.55	(0.05)	0.66	(0.06)	0.77	(0.07)	0.99	(0.09)	1.10	(0.10)	
18	0-9 13/16	(249)	0.69	(0.06)	0.83	(0.08)	0.97	(0.09)	1.24	(0.12)	1.38	(0.13)	
20	0-11 13/16	(300)	0.84	(0.08)	1.00	(0.09)	1.16	(0.11)	1.49	(0.14)	1.66	(0.15)	
24	1-3 13/16	(402)	1.12	(0.10)	1.34	(0.12)	1.56	(0.14)	2.00	(0.19)	2.22	(0.21)	
28	1-7 13/16	(503)	1.40	(0.13)	1.68	(0.16)	1.95	(0.18)	2.50	(0.23)	2.78	(0.26)	
32	1-11 13/16	(605)	1.68	(0.16)	2.02	(0.19)	2.35	(0.22)	3.01	(0.28)	3.34	(0.31)	
36	2-3 13/16	(706)	1.97	(0.18)	2.35	(0.22)	2.74	(0.25)	3.51	(0.33)	3.90	(0.36)	
40	2-7 13/16	(808)	2.25	(0.21)	2.69	(0.25)	3.13	(0.29)	4.02	(0.37)	4.46	(0.41)	
44	2-11 13/16	(910)	2.53	(0.24)	3.03	(0.28)	3.53	(0.33)	4.52	(0.42)	5.02	(0.47)	
48	3-3 13/16	(1011)	2.82	(0.26)	3.37	(0.31)	3.92	(0.36)	5.03	(0.47)	5.58	(0.52)	
54	3-9 13/16	(1164)	3.24	(0.30)	3.88	(0.36)	4.51	(0.42)	5.79	(0.54)	6.42	(0.60)	
56	3-11 13/16	(1214)	3.38	(0.31)	4.05	(0.38)	4.71	(0.44)	6.04	(0.56)	6.70	(0.62)	
60	4-3 13/16	(1316)	3.67	(0.34)	4.38	(0.41)	5.10	(0.47)	6.54	(0.61)	7.26	(0.67)	
64	4-7 13/16	(1418)	3.95	(0.37)	4.72	(0.44)	5.50	(0.51)	7.05	(0.65)	7.82	(0.73)	
72	5-3 13/16	(1621)	4.51	(0.42)	5.40	(0.50)	6.29	(0.58)	8.06	(0.75)	8.95	(0.83)	
78	5-9 13/16	(1773)	4.94	(0.46)	5.91	(0.55)	6.88	(0.64)	8.82	(0.82)	9.79	(0.91)	
84	6-3 13/16	(1926)	5.36	(0.50)	6.42	(0.60)	7.47	(0.69)	9.57	(0.89)	10.63	(0.99)	
92	6-11 13/16	(2129)	5.93	(0.55)	7.09	(0.66)	8.26	(0.77)	10.59	(0.98)	11.75	(1.09)	
96	7-3 13/16	(2230)	6.21	(0.58)	7.43	(0.69)	8.65	(0.80)	11.09	(1.03)	12.31	(1.14)	

Daylight Measurements: Push Out Casement - Full Frame and Replacement Frame

Wood Ultimate Push Out Casement Daylight Measurements			Width										
			CN	28		30		32		36		40	
			DLO	1-10 3/16	(564)	2-0 3/16	(614)	2-2 3/16	(665)	2-6 3/16	(767)	2-10 3/16	(868)
CN	DLO Height		Square Feet (Square Meters)										
Standard Bottom Rail													
16	0-9 5/16	(237)	1.43	(0.13)	1.56	(0.15)	1.69	(0.16)	1.95	(0.18)	2.21	(0.21)	
18	0-11 5/16	(287)	1.74	(0.16)	1.90	(0.18)	2.06	(0.19)	2.37	(0.22)	2.69	(0.25)	
20	1-1 5/16	(338)	2.05	(0.19)	2.24	(0.21)	2.42	(0.22)	2.79	(0.26)	3.16	(0.29)	
24	1-5 5/16	(440)	2.67	(0.25)	2.91	(0.27)	3.15	(0.29)	3.63	(0.34)	4.11	(0.38)	
28	1-9 5/16	(541)	3.28	(0.31)	3.58	(0.33)	3.88	(0.36)	4.47	(0.42)	5.06	(0.47)	
32	2-1 5/16	(643)	3.90	(0.36)	4.25	(0.39)	4.60	(0.43)	5.31	(0.49)	6.01	(0.56)	
36	2-5 5/16	(745)	4.52	(0.42)	4.92	(0.46)	5.33	(0.50)	6.14	(0.57)	6.96	(0.65)	
40	2-9 5/16	(846)	5.13	(0.48)	5.60	(0.52)	6.06	(0.56)	6.98	(0.65)	7.91	(0.73)	
44	3-1 5/16	(948)	5.75	(0.53)	6.27	(0.58)	6.79	(0.63)	7.82	(0.73)	8.86	(0.82)	
48	3-5 5/16	(1049)	6.37	(0.59)	6.94	(0.64)	7.51	(0.70)	8.66	(0.80)	9.81	(0.91)	
54	3-11 5/16	(1202)	7.29	(0.68)	7.95	(0.74)	8.60	(0.80)	9.92	(0.92)	11.23	(1.04)	
56	4-1 5/16	(1253)	7.60	(0.71)	8.28	(0.77)	8.97	(0.83)	10.34	(0.96)	11.71	(1.09)	
60	4-5 5/16	(1354)	8.21	(0.76)	8.95	(0.83)	9.70	(0.90)	11.18	(1.04)	12.66	(1.18)	
64	4-9 5/16	(1456)	8.83	(0.82)	9.63	(0.89)	10.42	(0.97)	12.01	(1.12)	13.61	(1.26)	
72	5-5 5/16	(1659)	10.06	(0.93)	10.97	(1.02)	11.88	(1.10)	13.69	(1.27)	15.51	(1.44)	
78	5-11 5/16	(1811)	10.99	(1.02)	11.98	(1.11)	12.97	(1.20)	14.95	(1.39)	16.93	(1.57)	
84	6-5 5/16	(1964)	11.91	(1.11)	12.99	(1.21)	14.06	(1.31)	16.21	(1.51)	18.35	(1.71)	
92	7-1 5/16	(2167)	13.14	(1.22)	14.33	(1.33)	15.51	(1.44)	17.88	(1.66)	20.25	(1.88)	
96	7-5 5/16	(2269)	13.76	(1.28)	15.00	(1.39)	16.24	(1.51)	18.72	(1.74)	N/A		
Tall Bottom Rail													
16	0-7 13/16	(198)	1.20	(0.11)	1.31	(0.12)	1.42	(0.13)	1.64	(0.15)	1.85	(0.17)	
18	0-9 13/16	(249)	1.51	(0.14)	1.65	(0.15)	1.78	(0.17)	2.06	(0.19)	2.33	(0.22)	
20	0-11 13/16	(300)	1.82	(0.17)	1.98	(0.18)	2.15	(0.20)	2.48	(0.23)	2.80	(0.26)	
24	1-3 13/16	(402)	2.44	(0.23)	2.66	(0.25)	2.88	(0.27)	3.31	(0.31)	3.75	(0.35)	
28	1-7 13/16	(503)	3.05	(0.28)	3.33	(0.31)	3.60	(0.33)	4.15	(0.39)	4.70	(0.44)	
32	1-11 13/16	(605)	3.67	(0.34)	4.00	(0.37)	4.33	(0.40)	4.99	(0.46)	5.65	(0.53)	
36	2-3 13/16	(706)	4.29	(0.40)	4.67	(0.43)	5.06	(0.47)	5.83	(0.54)	6.60	(0.61)	
40	2-7 13/16	(808)	4.90	(0.46)	5.34	(0.50)	5.79	(0.54)	6.67	(0.62)	7.55	(0.70)	
44	2-11 13/16	(910)	5.52	(0.51)	6.02	(0.56)	6.51	(0.61)	7.51	(0.70)	8.50	(0.79)	
48	3-3 13/16	(1011)	6.13	(0.57)	6.69	(0.62)	7.24	(0.67)	8.35	(0.78)	9.45	(0.88)	
54	3-9 13/16	(1164)	7.06	(0.66)	7.69	(0.71)	8.33	(0.77)	9.60	(0.89)	10.88	(1.01)	
56	3-11 13/16	(1214)	7.37	(0.68)	8.03	(0.75)	8.69	(0.81)	10.02	(0.93)	11.35	(1.05)	
60	4-3 13/16	(1316)	7.98	(0.74)	8.70	(0.81)	9.42	(0.88)	10.86	(1.01)	12.30	(1.14)	
64	4-7 13/16	(1418)	8.60	(0.80)	9.37	(0.87)	10.15	(0.94)	11.70	(1.09)	13.25	(1.23)	
72	5-3 13/16	(1621)	9.83	(0.91)	10.72	(1.00)	11.60	(1.08)	13.38	(1.24)	15.15	(1.41)	
78	5-9 13/16	(1773)	10.76	(1.00)	11.73	(1.09)	12.70	(1.18)	14.63	(1.36)	16.57	(1.54)	
84	6-3 13/16	(1926)	11.68	(1.09)	12.73	(1.18)	13.79	(1.28)	15.89	(1.48)	18.00	(1.67)	
92	6-11 13/16	(2129)	12.91	(1.20)	14.08	(1.31)	15.24	(1.42)	17.57	(1.63)	19.90	(1.85)	
96	7-3 13/16	(2230)	13.53	(1.26)	14.75	(1.37)	15.97	(1.48)	18.41	(1.71)	N/A		

Vent Openings: Push Out Awning - Full Frame and Replacement Frame

CN	Opening Vent Width		Opening Vent Height		Vent Opening	
	ft - in	mm	ft - in	mm	ft ²	mm ²
1614	0-11 1/64	(280)	0-8 1/64	(203)	0.61	(0.06)
1616	0-11 1/64	(280)	0-10 1/64	(254)	0.77	(0.07)
1618	0-11 1/64	(280)	1-0 1/64	(305)	0.92	(0.09)
1620	0-11 1/64	(280)	1-2 1/64	(356)	1.07	(0.10)
1624	0-11 1/64	(280)	1-6 1/64	(457)	1.38	(0.13)
1628	0-11 1/64	(280)	1-10 1/64	(559)	1.68	(0.16)
1632	0-11 1/64	(280)	2-2 1/64	(661)	1.99	(0.18)
1636	0-11 1/64	(280)	2-6 1/64	(762)	2.30	(0.21)
1640	0-11 1/64	(280)	2-10 1/64	(864)	2.60	(0.24)
1644	0-11 1/64	(280)	3-2 1/64	(965)	2.91	(0.27)
1648	0-11 1/64	(280)	3-6 1/64	(1067)	3.21	(0.30)
1814	1-1 1/64	(331)	0-8 1/64	(203)	0.72	(0.07)
1816	1-1 1/64	(331)	0-10 1/64	(254)	0.90	(0.08)
1818	1-1 1/64	(331)	1-0 1/64	(305)	1.09	(0.10)
1820	1-1 1/64	(331)	1-2 1/64	(356)	1.27	(0.12)
1824	1-1 1/64	(331)	1-6 1/64	(457)	1.63	(0.15)
1828	1-1 1/64	(331)	1-10 1/64	(559)	1.99	(0.18)
1832	1-1 1/64	(331)	2-2 1/64	(661)	2.35	(0.22)
1836	1-1 1/64	(331)	2-6 1/64	(762)	2.71	(0.25)
1840	1-1 1/64	(331)	2-10 1/64	(864)	3.07	(0.29)
1844	1-1 1/64	(331)	3-2 1/64	(965)	3.44	(0.32)
1848	1-1 1/64	(331)	3-6 1/64	(1067)	3.80	(0.35)
2014	1-3 1/64	(381)	0-8 1/64	(203)	0.84	(0.08)
2016	1-3 1/64	(381)	0-10 1/64	(254)	1.04	(0.10)
2018	1-3 1/64	(381)	1-0 1/64	(305)	1.25	(0.12)
2020	1-3 1/64	(381)	1-2 1/64	(356)	1.46	(0.14)
2024	1-3 1/64	(381)	1-6 1/64	(457)	1.88	(0.17)
2028	1-3 1/64	(381)	1-10 1/64	(559)	2.30	(0.21)
2032	1-3 1/64	(381)	2-2 1/64	(661)	2.71	(0.25)
2036	1-3 1/64	(381)	2-6 1/64	(762)	3.13	(0.29)
2040	1-3 1/64	(381)	2-10 1/64	(864)	3.55	(0.33)
2044	1-3 1/64	(381)	3-2 1/64	(965)	3.96	(0.37)
2048	1-3 1/64	(381)	3-6 1/64	(1067)	4.38	(0.41)
2414	1-7 1/64	(483)	0-8 1/64	(203)	1.06	(0.10)
2416	1-7 1/64	(483)	0-10 1/64	(254)	1.32	(0.12)
2418	1-7 1/64	(483)	1-0 1/64	(305)	1.59	(0.15)
2420	1-7 1/64	(483)	1-2 1/64	(356)	1.85	(0.17)
2424	1-7 1/64	(483)	1-6 1/64	(457)	2.38	(0.22)
2428	1-7 1/64	(483)	1-10 1/64	(559)	2.91	(0.27)
2432	1-7 1/64	(483)	2-2 1/64	(661)	3.43	(0.32)
2436	1-7 1/64	(483)	2-6 1/64	(762)	3.96	(0.37)
2440	1-7 1/64	(483)	2-10 1/64	(864)	4.49	(0.42)
2444	1-7 1/64	(483)	3-2 1/64	(965)	5.02	(0.47)
2448	1-7 1/64	(483)	3-6 1/64	(1067)	5.55	(0.52)
2614	1-9 1/64	(534)	0-8 1/64	(203)	1.17	(0.11)
2616	1-9 1/64	(534)	0-10 1/64	(254)	1.46	(0.14)
2618	1-9 1/64	(534)	1-0 1/64	(305)	1.75	(0.16)
2620	1-9 1/64	(534)	1-2 1/64	(356)	2.04	(0.19)
2624	1-9 1/64	(534)	1-6 1/64	(457)	2.63	(0.24)
2628	1-9 1/64	(534)	1-10 1/64	(559)	3.21	(0.30)
2632	1-9 1/64	(534)	2-2 1/64	(661)	3.80	(0.35)
2636	1-9 1/64	(534)	2-6 1/64	(762)	4.38	(0.41)
2640	1-9 1/64	(534)	2-10 1/64	(864)	4.96	(0.46)
2644	1-9 1/64	(534)	3-2 1/64	(965)	5.55	(0.52)
2648	1-9 1/64	(534)	3-6 1/64	(1067)	6.13	(0.57)

CN	Opening Vent Width		Opening Vent Height		Vent Opening	
	ft - in	mm	ft - in	mm	ft ²	mm ²
2814	1-11 1/64	(585)	0-8 1/64	(203)	1.28	(0.12)
2816	1-11 1/64	(585)	0-10 1/64	(254)	1.60	(0.15)
2818	1-11 1/64	(585)	1-0 1/64	(305)	1.92	(0.18)
2820	1-11 1/64	(585)	1-2 1/64	(356)	2.24	(0.21)
2824	1-11 1/64	(585)	1-6 1/64	(457)	2.88	(0.27)
2828	1-11 1/64	(585)	1-10 1/64	(559)	3.52	(0.33)
2832	1-11 1/64	(585)	2-2 1/64	(661)	4.16	(0.39)
2836	1-11 1/64	(585)	2-6 1/64	(762)	4.80	(0.45)
2840	1-11 1/64	(585)	2-10 1/64	(864)	5.44	(0.51)
2844	1-11 1/64	(585)	3-2 1/64	(965)	6.08	(0.56)
2848	1-11 1/64	(585)	3-6 1/64	(1067)	6.71	(0.62)
3014	2-1 1/64	(635)	0-8 1/64	(203)	1.39	(0.13)
3016	2-1 1/64	(635)	0-10 1/64	(254)	1.74	(0.16)
3018	2-1 1/64	(635)	1-0 1/64	(305)	2.09	(0.19)
3020	2-1 1/64	(635)	1-2 1/64	(356)	2.43	(0.23)
3024	2-1 1/64	(635)	1-6 1/64	(457)	3.13	(0.29)
3028	2-1 1/64	(635)	1-10 1/64	(559)	3.82	(0.36)
3032	2-1 1/64	(635)	2-2 1/64	(661)	4.52	(0.42)
3036	2-1 1/64	(635)	2-6 1/64	(762)	5.21	(0.48)
3040	2-1 1/64	(635)	2-10 1/64	(864)	5.91	(0.55)
3044	2-1 1/64	(635)	3-2 1/64	(965)	6.60	(0.61)
3048	2-1 1/64	(635)	3-6 1/64	(1067)	7.30	(0.68)
3214	2-3 1/64	(686)	0-8 1/64	(203)	1.50	(0.14)
3216	2-3 1/64	(686)	0-10 1/64	(254)	1.88	(0.17)
3218	2-3 1/64	(686)	1-0 1/64	(305)	2.25	(0.21)
3220	2-3 1/64	(686)	1-2 1/64	(356)	2.63	(0.24)
3224	2-3 1/64	(686)	1-6 1/64	(457)	3.38	(0.31)
3228	2-3 1/64	(686)	1-10 1/64	(559)	4.13	(0.38)
3232	2-3 1/64	(686)	2-2 1/64	(661)	4.88	(0.45)
3236	2-3 1/64	(686)	2-6 1/64	(762)	5.63	(0.52)
3240	2-3 1/64	(686)	2-10 1/64	(864)	6.38	(0.59)
3244	2-3 1/64	(686)	3-2 1/64	(965)	7.13	(0.66)
3248	2-3 1/64	(686)	3-6 1/64	(1067)	7.88	(0.73)
3614	2-7 1/64	(788)	0-8 1/64	(203)	1.73	(0.16)
3616	2-7 1/64	(788)	0-10 1/64	(254)	2.16	(0.20)
3618	2-7 1/64	(788)	1-0 1/64	(305)	2.59	(0.24)
3620	2-7 1/64	(788)	1-2 1/64	(356)	3.02	(0.28)
3624	2-7 1/64	(788)	1-6 1/64	(457)	3.88	(0.36)
3628	2-7 1/64	(788)	1-10 1/64	(559)	4.74	(0.44)
3632	2-7 1/64	(788)	2-2 1/64	(661)	5.60	(0.52)
3636	2-7 1/64	(788)	2-6 1/64	(762)	6.46	(0.60)
3640	2-7 1/64	(788)	2-10 1/64	(864)	7.33	(0.68)
3644	2-7 1/64	(788)	3-2 1/64	(965)	8.19	(0.76)
3648	2-7 1/64	(788)	3-6 1/64	(1067)	9.05	(0.84)
4014	2-11 1/64	(889)	0-8 1/64	(203)	1.95	(0.18)
4016	2-11 1/64	(889)	0-10 1/64	(254)	2.43	(0.23)
4018	2-11 1/64	(889)	1-0 1/64	(305)	2.92	(0.27)
4020	2-11 1/64	(889)	1-2 1/64	(356)	3.41	(0.32)
4024	2-11 1/64	(889)	1-6 1/64	(457)	4.38	(0.41)
4028	2-11 1/64	(889)	1-10 1/64	(559)	5.35	(0.50)
4032	2-11 1/64	(889)	2-2 1/64	(661)	6.33	(0.59)
4036	2-11 1/64	(889)	2-6 1/64	(762)	7.30	(0.68)
4040	2-11 1/64	(889)	2-10 1/64	(864)	8.27	(0.77)
4044	2-11 1/64	(889)	3-2 1/64	(965)	9.24	(0.86)
4048	2-11 1/64	(889)	3-6 1/64	(1067)	10.22	(0.95)

Wood Ultimate Push Out Casement and Awning

Vent Openings: Push Out Awning - Full Frame and Replacement Frame

CN	Opening Vent Width		Opening Vent Height		Vent Opening	
	ft - in	mm	ft - in	mm	ft ²	mm ²
4814	3-7 1/64	(1093)	0-8 1/64	(203)	2.39	(0.22)
4816	3-7 1/64	(1093)	0-10 1/64	(254)	2.99	(0.28)
4818	3-7 1/64	(1093)	1-0 1/64	(305)	3.59	(0.33)
4820	3-7 1/64	(1093)	1-2 1/64	(356)	4.19	(0.39)
4824	3-7 1/64	(1093)	1-6 1/64	(457)	5.38	(0.50)
4828	3-7 1/64	(1093)	1-10 1/64	(559)	6.58	(0.61)
4832	3-7 1/64	(1093)	2-2 1/64	(661)	7.77	(0.72)
4836	3-7 1/64	(1093)	2-6 1/64	(762)	8.96	(0.83)
4840	3-7 1/64	(1093)	2-10 1/64	(864)	10.16	(0.94)
4844	3-7 1/64	(1093)	3-2 1/64	(965)	11.35	(1.05)
4848	3-7 1/64	(1093)	3-6 1/64	(1067)	12.55	(1.17)
5614	4-3 1/64	(1296)	0-8 1/64	(203)	2.84	(0.26)
5616	4-3 1/64	(1296)	0-10 1/64	(254)	3.55	(0.33)
5618	4-3 1/64	(1296)	1-0 1/64	(305)	4.26	(0.40)
5620	4-3 1/64	(1296)	1-2 1/64	(356)	4.96	(0.46)
5624	4-3 1/64	(1296)	1-6 1/64	(457)	6.38	(0.59)
5628	4-3 1/64	(1296)	1-10 1/64	(559)	7.80	(0.72)
5632	4-3 1/64	(1296)	2-2 1/64	(661)	9.22	(0.86)
5636	4-3 1/64	(1296)	2-6 1/64	(762)	10.63	(0.99)
5640	4-3 1/64	(1296)	2-10 1/64	(864)	12.05	(1.12)
5644	4-3 1/64	(1296)	3-2 1/64	(965)	13.47	(1.25)
5648	4-3 1/64	(1296)	3-6 1/64	(1067)	14.88	(1.38)
6014	4-7 1/64	(1397)	0-8 1/64	(203)	3.06	(0.28)
6016	4-7 1/64	(1397)	0-10 1/64	(254)	3.82	(0.36)
6018	4-7 1/64	(1397)	1-0 1/64	(305)	4.59	(0.43)
6020	4-7 1/64	(1397)	1-2 1/64	(356)	5.35	(0.50)
6024	4-7 1/64	(1397)	1-6 1/64	(457)	6.88	(0.64)
6028	4-7 1/64	(1397)	1-10 1/64	(559)	8.41	(0.78)
6032	4-7 1/64	(1397)	2-2 1/64	(661)	9.94	(0.92)
6036	4-7 1/64	(1397)	2-6 1/64	(762)	11.47	(1.07)
6040	4-7 1/64	(1397)	2-10 1/64	(864)	12.99	(1.21)
6044	4-7 1/64	(1397)	3-2 1/64	(965)	14.52	(1.35)
6048	4-7 1/64	(1397)	3-6 1/64	(1067)	16.05	(1.49)
6414	4-11 1/64	(1499)	0-8 1/64	(203)	3.28	(0.31)
6416	4-11 1/64	(1499)	0-10 1/64	(254)	4.10	(0.38)
6418	4-11 1/64	(1499)	1-0 1/64	(305)	4.92	(0.46)
6420	4-11 1/64	(1499)	1-2 1/64	(356)	5.74	(0.53)
6424	4-11 1/64	(1499)	1-6 1/64	(457)	7.38	(0.69)
6428	4-11 1/64	(1499)	1-10 1/64	(559)	9.02	(0.84)
6432	4-11 1/64	(1499)	2-2 1/64	(661)	10.66	(0.99)
6436	4-11 1/64	(1499)	2-6 1/64	(762)	12.30	(1.14)
6440	4-11 1/64	(1499)	2-10 1/64	(864)	13.94	(1.29)
6444	4-11 1/64	(1499)	3-2 1/64	(965)	15.58	(1.45)
6448	4-11 1/64	(1499)	3-6 1/64	(1067)	17.22	(1.60)

CN	Opening Vent Width		Opening Vent Height		Vent Opening	
	ft - in	mm	ft - in	mm	ft ²	mm ²
7214	5-7 1/64	(1702)	0-8 1/64	(203)	3.73	(0.35)
7216	5-7 1/64	(1702)	0-10 1/64	(254)	4.66	(0.43)
7218	5-7 1/64	(1702)	1-0 1/64	(305)	5.59	(0.52)
7220	5-7 1/64	(1702)	1-2 1/64	(356)	6.52	(0.61)
7224	5-7 1/64	(1702)	1-6 1/64	(457)	8.38	(0.78)
7228	5-7 1/64	(1702)	1-10 1/64	(559)	10.24	(0.95)
7232	5-7 1/64	(1702)	2-2 1/64	(661)	12.11	(1.12)
7236	5-7 1/64	(1702)	2-6 1/64	(762)	13.97	(1.30)
7240	5-7 1/64	(1702)	2-10 1/64	(864)	15.83	(1.47)
7244	5-7 1/64	(1702)	3-2 1/64	(965)	17.69	(1.64)
7248	5-7 1/64	(1702)	3-6 1/64	(1067)	19.55	(1.82)

Daylight Measurements: Push Out Awning - Full Frame and Replacement Frame

Wood Ultimate Push Out Awning Daylight Measurements		Width										
		CN	16		18		20		24		26	
		DLO	0-10 3/16	(259)	1-0 3/16	(310)	1-2 3/16	(360)	1-6 3/16	(462)	1-8 3/16	(513)
CN	DLO Height	Square Feet (Square Meters)										
		Standard Bottom Rail										
14	0-7 5/16 (186)	0.52	(0.05)	0.62	(0.06)	0.72	(0.07)	0.92	(0.09)	1.03	(0.10)	
16	0-9 5/16 (237)	0.66	(0.06)	0.79	(0.07)	0.92	(0.09)	1.18	(0.11)	1.31	(0.12)	
18	0-11 5/16 (287)	0.80	(0.07)	0.96	(0.09)	1.11	(0.10)	1.43	(0.13)	1.59	(0.15)	
20	1-1 5/16 (338)	0.94	(0.09)	1.13	(0.10)	1.31	(0.12)	1.68	(0.16)	1.87	(0.17)	
24	1-5 5/16 (440)	1.22	(0.11)	1.47	(0.14)	1.71	(0.16)	2.19	(0.20)	2.43	(0.23)	
28	1-9 5/16 (541)	1.51	(0.14)	1.80	(0.17)	2.10	(0.20)	2.69	(0.25)	2.99	(0.28)	
32	2-1 5/16 (643)	1.79	(0.17)	2.14	(0.20)	2.49	(0.23)	3.20	(0.30)	3.55	(0.33)	
36	2-5 5/16 (745)	2.07	(0.19)	2.48	(0.23)	2.89	(0.27)	3.70	(0.34)	4.11	(0.38)	
40	2-9 5/16 (846)	2.36	(0.22)	2.82	(0.26)	3.28	(0.30)	4.21	(0.39)	4.67	(0.43)	
44	3-1 5/16 (948)	2.64	(0.25)	3.16	(0.29)	3.68	(0.34)	4.71	(0.44)	5.23	(0.49)	
48	3-5 5/16 (1049)	2.92	(0.27)	3.50	(0.32)	4.07	(0.38)	5.22	(0.48)	5.79	(0.54)	
		Tall Bottom Rail										
14	0-5 13/16 (148)	0.41	(0.04)	0.49	(0.05)	0.57	(0.05)	0.73	(0.07)	0.81	(0.08)	
16	0-7 13/16 (198)	0.55	(0.05)	0.66	(0.06)	0.77	(0.07)	0.99	(0.09)	1.10	(0.10)	
18	0-9 13/16 (249)	0.69	(0.06)	0.83	(0.08)	0.97	(0.09)	1.24	(0.12)	1.38	(0.13)	
20	0-11 13/16 (300)	0.84	(0.08)	1.00	(0.09)	1.16	(0.11)	1.49	(0.14)	1.66	(0.15)	
24	1-3 13/16 (402)	1.12	(0.10)	1.34	(0.12)	1.56	(0.14)	2.00	(0.19)	2.22	(0.21)	
28	1-7 13/16 (503)	1.40	(0.13)	1.68	(0.16)	1.95	(0.18)	2.50	(0.23)	2.78	(0.26)	
32	1-11 13/16 (605)	1.68	(0.16)	2.02	(0.19)	2.35	(0.22)	3.01	(0.28)	3.34	(0.31)	
36	2-3 13/16 (706)	1.97	(0.18)	2.35	(0.22)	2.74	(0.25)	3.51	(0.33)	3.90	(0.36)	
40	2-7 13/16 (808)	2.25	(0.21)	2.69	(0.25)	3.13	(0.29)	4.02	(0.37)	4.46	(0.41)	
44	2-11 13/16 (910)	2.53	(0.24)	3.03	(0.28)	3.53	(0.33)	4.52	(0.42)	5.02	(0.47)	
48	3-3 13/16 (1011)	2.82	(0.26)	3.37	(0.31)	3.92	(0.36)	5.03	(0.47)	5.58	(0.52)	

Daylight Measurements: Push Out Awning - Full Frame and Replacement Frame

Wood Ultimate Push Out Awning Daylight Measurements		Width										
		CN	28		30		32		36		40	
		DLO	1-10 3/16 (564)	2-0 3/16 (614)	2-2 3/16 (665)	2-6 3/16 (767)	2-10 3/16 (868)					
CN	DLO Height	Square Feet (Square Meters)										
Standard Bottom Rail												
14	0-7 5/16 (186)	1.13 (0.10)	1.23 (0.11)	1.33 (0.12)	1.53 (0.14)	1.74 (0.16)						
16	0-9 5/16 (237)	1.43 (0.13)	1.56 (0.15)	1.69 (0.16)	1.95 (0.18)	2.21 (0.21)						
18	0-11 5/16 (287)	1.74 (0.16)	1.90 (0.18)	2.06 (0.19)	2.37 (0.22)	2.69 (0.25)						
20	1-1 5/16 (338)	2.05 (0.19)	2.24 (0.21)	2.42 (0.22)	2.79 (0.26)	3.16 (0.29)						
24	1-5 5/16 (440)	2.67 (0.25)	2.91 (0.27)	3.15 (0.29)	3.63 (0.34)	4.11 (0.38)						
28	1-9 5/16 (541)	3.28 (0.31)	3.58 (0.33)	3.88 (0.36)	4.47 (0.42)	5.06 (0.47)						
32	2-1 5/16 (643)	3.90 (0.36)	4.25 (0.39)	4.60 (0.43)	5.31 (0.49)	6.01 (0.56)						
36	2-5 5/16 (745)	4.52 (0.42)	4.92 (0.46)	5.33 (0.50)	6.14 (0.57)	6.96 (0.65)						
40	2-9 5/16 (846)	5.13 (0.48)	5.60 (0.52)	6.06 (0.56)	6.98 (0.65)	7.91 (0.73)						
44	3-1 5/16 (948)	5.75 (0.53)	6.27 (0.58)	6.79 (0.63)	7.82 (0.73)	8.86 (0.82)						
48	3-5 5/16 (1049)	6.37 (0.59)	6.94 (0.64)	7.51 (0.70)	8.66 (0.80)	9.81 (0.91)						
Tall Bottom Rail												
14	0-5 13/16 (148)	0.90 (0.08)	0.98 (0.09)	1.06 (0.10)	1.22 (0.11)	1.38 (0.13)						
16	0-7 13/16 (198)	1.20 (0.11)	1.31 (0.12)	1.42 (0.13)	1.64 (0.15)	1.85 (0.17)						
18	0-9 13/16 (249)	1.51 (0.14)	1.65 (0.15)	1.78 (0.17)	2.06 (0.19)	2.33 (0.22)						
20	0-11 13/16 (300)	1.82 (0.17)	1.98 (0.18)	2.15 (0.20)	2.48 (0.23)	2.80 (0.26)						
24	1-3 13/16 (402)	2.44 (0.23)	2.66 (0.25)	2.88 (0.27)	3.31 (0.31)	3.75 (0.35)						
28	1-7 13/16 (503)	3.05 (0.28)	3.33 (0.31)	3.60 (0.33)	4.15 (0.39)	4.70 (0.44)						
32	1-11 13/16 (605)	3.67 (0.34)	4.0 (0.37)	4.33 (0.40)	4.99 (0.46)	5.65 (0.53)						
36	2-3 13/16 (706)	4.29 (0.40)	4.67 (0.43)	5.06 (0.47)	5.83 (0.54)	6.60 (0.61)						
40	2-7 13/16 (808)	4.90 (0.46)	5.34 (0.50)	5.79 (0.54)	6.67 (0.62)	7.55 (0.70)						
44	2-11 13/16 (910)	5.52 (0.51)	6.02 (0.56)	6.51 (0.61)	7.51 (0.70)	8.50 (0.79)						
48	3-3 13/16 (1011)	6.13 (0.57)	6.69 (0.62)	7.24 (0.67)	8.35 (0.78)	9.45 (0.88)						

Daylight Measurements: Push Out Awning - Full Frame and Replacement Frame

Wood Ultimate Push Out Awning Daylight Measurements		Width										
		CN	48		56		60		64		72	
		DLO	3-6 3/16	(1072)	4-2 3/16	(1275)	4-6 3/16	(1376)	4-10 3/16	(1478)	5-6 3/16	(1681)
CN	DLO Height	Square Feet (Square Meters)										
		Standard Bottom Rail										
14	0-7 5/16 (186)	2.14	(0.20)	2.55	(0.24)	2.75	(0.26)	2.95	(0.27)	3.36	(0.31)	
16	0-9 5/16 (237)	2.73	(0.25)	3.25	(0.30)	3.50	(0.33)	3.76	(0.35)	4.28	(0.40)	
18	0-11 5/16 (287)	3.31	(0.31)	3.94	(0.37)	4.26	(0.40)	4.57	(0.42)	5.20	(0.48)	
20	1-1 5/16 (338)	3.90	(0.36)	4.64	(0.43)	5.01	(0.47)	5.38	(0.50)	6.12	(0.57)	
24	1-5 5/16 (440)	5.07	(0.47)	6.03	(0.56)	6.51	(0.61)	7.0	(0.65)	7.96	(0.74)	
28	1-9 5/16 (541)	6.24	(0.58)	7.43	(0.69)	8.02	(0.75)	8.61	(0.80)	9.80	(0.91)	
32	2-1 5/16 (643)	7.42	(0.69)	8.82	(0.82)	9.52	(0.88)	10.23	(0.95)	11.63	(1.08)	
36	2-5 5/16 (745)	8.59	(0.80)	10.22	(0.95)	11.03	(1.02)	11.84	(1.10)	13.47	(1.25)	
40	2-9 5/16 (846)	9.76	(0.91)	11.61	(1.08)	12.54	(1.16)	13.46	(1.25)	15.31	(1.42)	
44	3-1 5/16 (948)	10.93	(1.02)	13.0	(1.21)	14.04	(1.30)	15.08	(1.40)	17.15	(1.59)	
48	3-5 5/16 (1049)	12.10	(1.12)	14.40	(1.34)	15.55	(1.44)	16.69	(1.55)	18.99	(1.76)	
		Tall Bottom Rail										
14	0-5 13/16 (148)	1.70	(0.16)	2.03	(0.19)	2.19	(0.20)	2.35	(0.22)	2.67	(0.25)	
16	0-7 13/16 (198)	2.29	(0.21)	2.72	(0.25)	2.94	(0.27)	3.16	(0.29)	3.59	(0.33)	
18	0-9 13/16 (249)	2.87	(0.27)	3.42	(0.32)	3.69	(0.34)	3.96	(0.37)	4.51	(0.42)	
20	0-11 13/16 (300)	3.46	(0.32)	4.12	(0.38)	4.44	(0.41)	4.77	(0.44)	5.43	(0.50)	
24	1-3 13/16 (402)	4.63	(0.43)	5.51	(0.51)	5.95	(0.55)	6.39	(0.59)	7.27	(0.68)	
28	1-7 13/16 (503)	5.80	(0.54)	6.90	(0.64)	7.46	(0.69)	8.01	(0.74)	9.11	(0.85)	
32	1-11 13/16 (605)	6.98	(0.65)	8.30	(0.77)	8.96	(0.83)	9.62	(0.89)	10.94	(1.02)	
36	2-3 13/16 (706)	8.15	(0.76)	9.69	(0.90)	10.47	(0.97)	11.24	(1.04)	12.78	(1.19)	
40	2-7 13/16 (808)	9.32	(0.87)	11.09	(1.03)	11.97	(1.11)	12.85	(1.19)	14.62	(1.36)	
44	2-11 13/16 (910)	10.49	(0.97)	12.48	(1.16)	13.48	(1.25)	14.47	(1.34)	16.46	(1.53)	
48	3-3 13/16 (1011)	11.66	(1.08)	13.88	(1.29)	14.98	(1.39)	16.09	(1.49)	18.30	(1.70)	

Wood Ultimate Push Out Casement and Awning

Daylight Measurements: Picture - Full Frame and Replacement Frame

Wood Ultimate Push Out Casement Picture Daylight Measurements			Width										
			CN	40		48		56		60		64	
			DLO	2-10 3/16 (868)	3-6 3/16 (1072)	4-2 3/16 (1275)	4-6 3/16 (1376)	4-10 3/16 (1478)					
CN	DLO Height	Square Feet (Square Meters)											
Standard Bottom Rail													
12	0-5 5/16 (135)	1.26 (0.12)	1.56 (0.14)	1.85 (0.17)	2.00 (0.19)	2.15 (0.20)							
14	0-7 5/16 (186)	1.74 (0.16)	2.14 (0.20)	2.55 (0.24)	2.75 (0.26)	2.95 (0.27)							
16	0-9 5/16 (237)	2.21 (0.21)	2.73 (0.25)	3.25 (0.30)	3.50 (0.33)	3.76 (0.35)							
18	0-11 5/16 (287)	2.69 (0.25)	3.31 (0.31)	3.94 (0.37)	4.26 (0.40)	4.57 (0.42)							
20	1-1 5/16 (338)	3.16 (0.29)	3.90 (0.36)	4.64 (0.43)	5.01 (0.47)	5.38 (0.50)							
24	1-5 5/16 (440)	4.11 (0.38)	5.07 (0.47)	6.03 (0.56)	6.51 (0.61)	7.00 (0.65)							
28	1-9 5/16 (541)	5.06 (0.47)	6.24 (0.58)	7.43 (0.69)	8.02 (0.75)	8.61 (0.80)							
32	2-1 5/16 (643)	6.01 (0.56)	7.42 (0.69)	8.82 (0.82)	9.52 (0.88)	10.23 (0.95)							
36	2-5 5/16 (745)	6.96 (0.65)	8.59 (0.80)	10.22 (0.95)	11.03 (1.02)	11.84 (1.10)							
40	2-9 5/16 (846)	7.91 (0.73)	9.76 (0.91)	11.61 (1.08)	12.54 (1.16)	13.46 (1.25)							
44	3-1 5/16 (948)	8.86 (0.82)	10.93 (1.02)	13.00 (1.21)	14.04 (1.30)	15.08 (1.40)							
48	3-5 5/16 (1049)	9.81 (0.91)	12.10 (1.12)	14.40 (1.34)	15.55 (1.44)	16.69 (1.55)							
54	3-11 5/16 (1202)	11.23 (1.04)	13.86 (1.29)	16.49 (1.53)	17.80 (1.65)	19.12 (1.78)							
56	4-1 5/16 (1253)	11.71 (1.09)	14.45 (1.34)	17.19 (1.60)	18.56 (1.72)	19.93 (1.85)							
60	4-5 5/16 (1354)	12.66 (1.18)	15.62 (1.45)	18.58 (1.73)	20.06 (1.86)	21.54 (2.00)							
64	4-9 5/16 (1456)	13.61 (1.26)	16.79 (1.56)	19.97 (1.86)	21.57 (2.00)	23.16 (2.15)							
72	5-5 5/16 (1659)	15.51 (1.44)	19.13 (1.78)	22.76 (2.11)	24.58 (2.28)	26.39 (2.45)							
78	5-11 5/16 (1811)	16.93 (1.57)	20.89 (1.94)	24.85 (2.31)	26.83 (2.49)	28.82 (2.68)							
84	6-5 5/16 (1964)	18.35 (1.71)	22.65 (2.10)	26.94 (2.50)	29.09 (2.70)	31.24 (2.90)							
92	7-1 5/16 (2167)	20.25 (1.88)	24.99 (2.32)	29.73 (2.76)	32.10 (2.98)	34.47 (3.20)							
96	7-5 5/16 (2269)	21.20 (1.97)	26.17 (2.43)	31.13 (2.89)	33.61 (3.12)	36.09 (3.35)							
Tall Bottom Rail													
12	0-3 13/16 (97)	0.91 (0.08)	1.12 (0.10)	1.33 (0.12)	1.43 (0.13)	1.54 (0.14)							
14	0-5 13/16 (148)	1.38 (0.13)	1.70 (0.16)	2.03 (0.19)	2.19 (0.20)	2.35 (0.22)							
16	0-7 13/16 (198)	1.85 (0.17)	2.29 (0.21)	2.72 (0.25)	2.94 (0.27)	3.16 (0.29)							
18	0-9 13/16 (249)	2.33 (0.22)	2.87 (0.27)	3.42 (0.32)	3.69 (0.34)	3.96 (0.37)							
20	0-11 13/16 (300)	2.8 (0.26)	3.46 (0.32)	4.12 (0.38)	4.44 (0.41)	4.77 (0.44)							
24	1-3 13/16 (402)	3.75 (0.35)	4.63 (0.43)	5.51 (0.51)	5.95 (0.55)	6.39 (0.59)							
28	1-7 13/16 (503)	4.7 (0.44)	5.80 (0.54)	6.90 (0.64)	7.46 (0.69)	8.01 (0.74)							
32	1-11 13/16 (605)	5.65 (0.53)	6.98 (0.65)	8.30 (0.77)	8.96 (0.83)	9.62 (0.89)							
36	2-3 13/16 (706)	6.6 (0.61)	8.15 (0.76)	9.69 (0.90)	10.47 (0.97)	11.24 (1.04)							
40	2-7 13/16 (808)	7.55 (0.70)	9.32 (0.87)	11.09 (1.03)	11.97 (1.11)	12.85 (1.19)							
44	2-11 13/16 (910)	8.5 (0.79)	10.49 (0.97)	12.48 (1.16)	13.48 (1.25)	14.47 (1.34)							
48	3-3 13/16 (1011)	9.45 (0.88)	11.66 (1.08)	13.88 (1.29)	14.98 (1.39)	16.09 (1.49)							
54	3-9 13/16 (1164)	10.88 (1.01)	13.42 (1.25)	15.97 (1.48)	17.24 (1.60)	18.51 (1.72)							
56	3-11 13/16 (1214)	11.35 (1.05)	14.01 (1.30)	16.66 (1.55)	17.99 (1.67)	19.32 (1.79)							
60	4-3 13/16 (1316)	12.3 (1.14)	15.18 (1.41)	18.06 (1.68)	19.50 (1.81)	20.94 (1.95)							
64	4-7 13/16 (1418)	13.25 (1.23)	16.35 (1.52)	19.45 (1.81)	21.00 (1.95)	22.55 (2.10)							
72	5-3 13/16 (1621)	15.15 (1.41)	18.69 (1.74)	22.24 (2.07)	24.01 (2.23)	25.78 (2.40)							
78	5-9 13/16 (1773)	16.57 (1.54)	20.45 (1.90)	24.33 (2.26)	26.27 (2.44)	28.21 (2.62)							
84	6-3 13/16 (1926)	18 (1.67)	22.21 (2.06)	26.42 (2.45)	28.53 (2.65)	30.63 (2.85)							
92	6-11 13/16 (2129)	19.9 (1.85)	24.55 (2.28)	29.21 (2.71)	31.54 (2.93)	33.87 (3.15)							
96	7-3 13/16 (2230)	20.85 (1.94)	25.73 (2.39)	30.60 (2.84)	33.04 (3.07)	35.48 (3.30)							

Daylight Measurements: Picture - Full Frame and Replacement Frame

Wood Ultimate Push Out Casement Picture Daylight Measurements			Width								
			CN	72		80		88		96	
			DLO	5-6 3/16	(1681)	6-2 3/16	(1884)	6-10 3/16	(2088)	7-6 3/16	(2291)
CN	DLO Height		Square Feet (Square Meters)								
			Standard Bottom Rail								
12	0-5 5/16	(135)	2.44	(0.23)	2.74	(0.25)	3.03	(0.28)	3.33	(0.31)	
14	0-7 5/16	(186)	3.36	(0.31)	3.77	(0.35)	4.17	(0.39)	4.58	(0.43)	
16	0-9 5/16	(237)	4.28	(0.40)	4.80	(0.45)	5.31	(0.49)	5.83	(0.54)	
18	0-11 5/16	(287)	5.20	(0.48)	5.83	(0.54)	6.46	(0.60)	7.08	(0.66)	
20	1-1 5/16	(338)	6.12	(0.57)	6.86	(0.64)	7.60	(0.71)	8.34	(0.77)	
24	1-5 5/16	(440)	7.96	(0.74)	8.92	(0.83)	9.88	(0.92)	10.84	(1.01)	
28	1-9 5/16	(541)	9.80	(0.91)	10.98	(1.02)	12.16	(1.13)	13.35	(1.24)	
32	2-1 5/16	(643)	11.63	(1.08)	13.04	(1.21)	14.45	(1.34)	15.85	(1.47)	
36	2-5 5/16	(745)	13.47	(1.25)	15.10	(1.40)	16.73	(1.55)	18.36	(1.71)	
40	2-9 5/16	(846)	15.31	(1.42)	17.16	(1.59)	19.01	(1.77)	20.86	(1.94)	
44	3-1 5/16	(948)	17.15	(1.59)	19.22	(1.79)	21.30	(1.98)	23.37	(2.17)	
48	3-5 5/16	(1049)	18.99	(1.76)	21.28	(1.98)	23.58	(2.19)	25.87	(2.40)	
54	3-11 5/16	(1202)	21.75	(2.02)	24.37	(2.26)	27.00	(2.51)	29.63	(2.75)	
56	4-1 5/16	(1253)	22.67	(2.11)	25.40	(2.36)	28.14	(2.61)	30.88	(2.87)	
60	4-5 5/16	(1354)	24.50	(2.28)	27.47	(2.55)	30.43	(2.83)	33.39	(3.10)	
64	4-9 5/16	(1456)	26.34	(2.45)	29.53	(2.74)	32.71	(3.04)	35.89	(3.33)	
72	5-5 5/16	(1659)	30.02	(2.79)	33.65	(3.13)	37.28	(3.46)	40.90	(3.80)	
78	5-11 5/16	(1811)	32.78	(3.05)	36.74	(3.41)	40.70	(3.78)	44.66	(4.15)	
84	6-5 5/16	(1964)	35.54	(3.30)	39.83	(3.70)	44.13	(4.10)	48.42	(4.50)	
92	7-1 5/16	(2167)	39.21	(3.64)	43.95	(4.08)	48.69	(4.52)	N/A		
96	7-5 5/16	(2269)	41.05	(3.81)	46.01	(4.27)	50.97	(4.74)	N/A		
			Tall Bottom Rail								
12	0-3 13/16	(97)	1.75	(0.16)	1.96	(0.18)	2.18	(0.20)	2.39	(0.22)	
14	0-5 13/16	(148)	2.67	(0.25)	2.99	(0.28)	3.32	(0.31)	3.64	(0.34)	
16	0-7 13/16	(198)	3.59	(0.33)	4.02	(0.37)	4.46	(0.41)	4.89	(0.45)	
18	0-9 13/16	(249)	4.51	(0.42)	5.06	(0.47)	5.60	(0.52)	6.15	(0.57)	
20	0-11 13/16	(300)	5.43	(0.50)	6.09	(0.57)	6.74	(0.63)	7.40	(0.69)	
24	1-3 13/16	(402)	7.27	(0.68)	8.15	(0.76)	9.02	(0.84)	9.90	(0.92)	
28	1-7 13/16	(503)	9.11	(0.85)	10.21	(0.95)	11.31	(1.05)	12.41	(1.15)	
32	1-11 13/16	(605)	10.94	(1.02)	12.27	(1.14)	13.59	(1.26)	14.91	(1.39)	
36	2-3 13/16	(706)	12.78	(1.19)	14.33	(1.33)	15.87	(1.47)	17.42	(1.62)	
40	2-7 13/16	(808)	14.62	(1.36)	16.39	(1.52)	18.16	(1.69)	19.92	(1.85)	
44	2-11 13/16	(910)	16.46	(1.53)	18.45	(1.71)	20.44	(1.90)	22.43	(2.08)	
48	3-3 13/16	(1011)	18.30	(1.70)	20.51	(1.91)	22.72	(2.11)	24.93	(2.32)	
54	3-9 13/16	(1164)	21.06	(1.96)	23.60	(2.19)	26.15	(2.43)	28.69	(2.67)	
56	3-11 13/16	(1214)	21.98	(2.04)	24.63	(2.29)	27.29	(2.54)	29.94	(2.78)	
60	4-3 13/16	(1316)	23.81	(2.21)	26.69	(2.48)	29.57	(2.75)	32.45	(3.01)	
64	4-7 13/16	(1418)	25.65	(2.38)	28.75	(2.67)	31.85	(2.96)	34.95	(3.25)	
72	5-3 13/16	(1621)	29.33	(2.72)	32.88	(3.05)	36.42	(3.38)	39.97	(3.71)	
78	5-9 13/16	(1773)	32.09	(2.98)	35.97	(3.34)	39.84	(3.70)	43.72	(4.06)	
84	6-3 13/16	(1926)	34.85	(3.24)	39.06	(3.63)	43.27	(4.02)	47.48	(4.41)	
92	6-11 13/16	(2129)	38.52	(3.58)	43.18	(4.01)	47.84	(4.44)	N/A		
96	7-3 13/16	(2230)	40.36	(3.75)	45.24	(4.20)	50.12	(4.66)	N/A		

Wood Ultimate Push Out Casement and Awning

Minimum and Maximum Guidelines: Full Frame

Full Frame Minimum and Maximum Frame Size										
Unit Type			Min Width		Min Height		Max Width		Max Height	
			in	mm	in	mm	in	mm	in	mm
WUPCA	Std Btm Rail	Insulating Glass 3/4" (19) or 1" (25)	16	(406)	15 15/16	(405)	36	(914)	96 1/16	(2440)
							40	(1016)	92 1/16	(2338)
WUPCA	Tall Btm Rail	Insulating Glass 3/4" (19) or 1" (25)	16	(406)	18 5/16	(465)	36	(914)	96 1/16	(2440)
							40	(1016)	92 1/16	(2338)
WUPCA	Retractable Screen	Retractable Screen	14	(356)	19 1/8	(486)	36	(914)	71 1/16	(1805)
							40	(1016)	59 1/16	(1500)
WUPAWN	Std and Tall Btm Rail	Insulating Glass 3/4" (19) or 1" (25)	16	(406)	12 13/16	(325)	72	(1829)	48 1/16	(1221)
WUPAWN	Std and Tall Btm Rail	Retractable Screen	20	(508)	15 1/8	(384)	60	(1524)	39 1/8	(994)
							72	(1829)	53 1/8	(1349)
WUPCAP	Std and Tall Btm Rail Certified	Insulating Glass 3/4" (19) or 1" (25)	12	(305)	12 7/16	(316)	88	(2235)	96 1/16	(2440)
							96	(2438)	88	(2235)
WUPCAP	Std and Tall Btm Rail Certified	Insulating Glass 1" (25)	12	(305)	12 7/16	(316)	88	(2235)	96 1/16	(2440)
							96	(2438)	88	(2235)
WUPCAP	Std and Tall Btm Rail Non-certified	Insulating Glass 3/4" (19) or 1" (25)	12	(305)	12 7/16	(316)	64	(1626)	104	(2642)
							104	(2642)	64	(1626)
WUPCAP	Std and Tall Btm Rail Non-certified	Insulating Glass 1" (25)	12	(305)	12 7/16	(316)	88	(2235)	120	(3048)
							120	(3048)	88	(2235)

Minimum and Maximum Guidelines: Full Frame CE Marked

Full Frame Minimum and Maximum Frame Size for CE Marked										
Unit Type			Min Width		Min Height		Max Width		Max Height	
			in	mm	in	mm	in	mm	in	mm
WUPCA	Std Btm Rail	Insulating Glass 3/4" (19) or 1" (25)	16	(406)	15 15/16	(405)	40	(1016)	92 1/16	(2338)
WUPCA	Tall Btm Rail	Insulating Glass 3/4" (19) or 1" (25)	16	(406)	18 5/16	(465)	40	(1016)	92 1/16	(2338)
WUPCA	Retractable Screen	Retractable Screen	14	(356)	19 1/8	(486)	36	(914)	71 1/8	(1807)
							40	(1016)	59 1/8	(1502)
WUPAWN	Std and Tall Btm Rail	Insulating Glass 3/4" (19) or 1" (25)	16	(406)	12 13/16	(325)	72	(1829)	47 1/8	(1197)
WUPAWN	Std and Tall Btm Rail	Retractable Screen	20	(508)	15 1/8	(384)	60	(1524)	39 1/8	(994)
							72	(1829)	35 1/8	(892)
WUPCAP	Std and Tall Btm Rail	Insulating Glass 3/4" (19) or 1" (25)	12	(305)	12 7/16	(316)	88	(2235)	96 1/16	(2440)
WUPCAP	Std and Tall Btm Rail	Insulating Glass 1" (25)	12	(305)	12 7/16	(316)	88	(2235)	96 1/16	(2440)

Minimum and Maximum Guidelines: Replacement Frame

Replacement Frame Minimum and Maximum Frame Sizes										
Unit Type			Min Width		Min Height		Max Width		Max Height	
			in	mm	in	mm	in	mm	in	mm
WUPRCA	Std Btm Rail	Insulating Glass 3/4" (19)	16	(406)	15 15/16	(405)	36	(914)	96 1/16	(2440)
							40	(1016)	92 1/16	(2338)
WUPRCA	Tall Btm Rail	Insulating Glass 3/4" (19)	16	(406)	18 5/16	(465)	36	(914)	96 1/16	(2440)
							40	(1016)	92 1/16	(2338)
WUPRCA	Retractable Screen	Insulating Glass 3/4" (19)	16	(406)	19 1/8	(486)	36	(914)	71 1/8	(1807)
							40	(1016)	59 1/8	(1502)
WUPRAWN	Standard Screen	Insulating Glass 3/4" (19)	16	(406)	12 13/16	(325)	72	(1829)	47 1/8	(1197)
WUPRAWN	Retractable Screen	Insulating Glass 3/4" (19)	20	(508)	15 1/8	(384)	60	(1524)	39 1/8	(994)
							72	(1829)	35 1/8	(892)
WUPRCAP	Std and Tall Btm Rail	Insulating Glass 3/4" (19)	12	(305)	12 7/16	(316)	88	(2235)	96 1/16	(2440)
							96	(2438)	88	(2235)

NOTE: CE mark is not available with replacement frame

Wood Ultimate Push Out Casement and Awning

Certified Sizes and Ratings

Product	Air Tested to psf	Water Tested to psf	Structural Tested to psf	Certification Rating	Design Pressure (DP)	Max Overall Width	Max Overall Height
Wood Ultimate Push Out Casement (Full Frame and Replacement)	1.57	7.5	75	CW-PG50-C	50	36"	71-1/8"
Wood Ultimate Push Out Casement (Full Frame and Replacement)	1.57	7.5	52.5	CW-PG35-C	35	36"	96-1/8"
Wood Ultimate Push Out Casement (Full Frame and Replacement)	1.57	7.5	52.5	CW-PG35-C	35	40"	91 1/8"
Wood Ultimate Push Out Casement (Full Frame and Replacement)	1.57	7.5	75	CW-PG50-AP	50	32"	36 1/16"
Wood Ultimate Push Out Casement (Full Frame and Replacement)	1.57	7.5	45	CW-PG30-AP	30	48"	48 1/16"
Wood Ultimate Push Out Awning (Full Frame and Replacement)	1.57	7.5	52.5	CW-PG35-AP	35	40"	47-1/8"
Wood Ultimate Push Out Awning (Full Frame and Replacement)	1.57	7.5	75	CW-PG50-AP	50	72"	35-1/8"
Wood Ultimate Push Out Awning (Full Frame and Replacement)	1.57	7.5	45	CW-PG30-AP	30	72"	47-1/8"
Wood Ultimate Push Out Casement Picture (Full Frame and Replacement)	1.57	7.5	75	CW-PG50-FW	50	64"	96-1/8"
Wood Ultimate Casement Picture (Full Frame and Replacement)	1.57	7.5	75	CW-PG50-FW	50	64"	96-1/8"
Wood Ultimate Casement Picture (Full Frame only)	1.57	7.5	75	CW-PG50-FW	50	88"	97-1/16"

NOTE: For CE ratings, please visit www.marvin.com/ce_technical_manual

Wood Ultimate Push Out Casement and Awning

Measurement Conversions: Push Out Casement and Awning

Unit Measurements		Width		Height	
From	To				
Inside Opening for Replacement		in	mm	in	mm
OM of Frame (Existing sill <8°)	Inside Opening	+ 3/8	(10)	+ 1/4	(06)
OM of Frame (Existing sill ≥8° - <14°)	Inside Opening	+ 3/8	(10)	+ 1/16	(02)
OM of Frame (Existing sill ≥14°)	Inside Opening	+ 3/8	(10)	+ 7/16	(11)
Rough Opening		in	mm	in	mm
OM of Frame	Rough Opening	+ 1	(25)	+ 1/2	(13)
Masonry Opening w/BMC	Rough Opening	-2 5/8	(67)	-1 9/16	(40)
Sash		in	mm	in	mm
OM of Frame	OM of Sash	-1 11/16	(43)	-2 5/8	(67)
Daylight Opening (Std Btm Rail)	OM of Sash	+ 4 7/64	(104)	+ 4 7/64	(104)
Daylight Opening (Tall Btm Rail)	OM of Sash	+ 4 7/64	(104)	+ 5 39/64	(142)
Glass		in	mm	in	mm
Daylight Opening	Glass	+ 1 3/32	(28)	+ 1 3/32	(28)
Retractable Screen		in	mm	in	mm
OM of Frame	OM of Screen	-2 3/8	(60)	-2 3/8	(60)
Daylight Opening (Std Btm Rail)	OM of Screen	+ 3 27/64	(87)	+ 3 27/64	(87)
Daylight Opening (Tall Btm Rail)	OM of Screen	+ 3 27/64	(87)	+ 4 59/64	(125)
Swinging Wood Screen (Push Out)		in	mm	in	mm
OM of Frame	OM of Screen	-2 37/64	(66)	-3 33/64	(89)
Daylight Opening (Std Btm Rail)	OM of Screen	+ 3 13/64	(81)	+ 3 13/64	(81)
Daylight Opening (Tall Btm Rail)	OM of Screen	+ 3 13/64	(81)	+ 4 45/64	(120)

Wood Ultimate Push Out Casement and Awning

Egress Formulas: Push Out Casement

Egress Formulas with Standard Screen

Clear Opening Width:

Frame OM 20" (508) and greater

$$\text{Clear Opening Width} = \text{Frame OM Width} - 6 \frac{3}{16}" (157)$$

Frame OM Width less than 20" (508)

$$\text{Clear Opening Width} = \text{Frame OM Width} - 8 \frac{11}{16}" (220)$$

$$\text{Clear Opening Height} = \text{Frame OM Height} - 5 \frac{15}{16}" (151)$$

$$\text{Clear Opening Area (ft}^2\text{)} = (\text{Clear Opening Width} \times \text{Clear Opening Height}) \div 144$$

Vent Opening with Standard Screen

$$\text{Vent Opening Width} = \text{Frame OM Width} - 3 \frac{1}{8}" (79)$$

$$\text{Vent Opening Height} = \text{Frame OM Height} - 4 \frac{31}{32}" (126)$$

Egress Formulas with Retractable Screen

Clear Opening Width:

Frame OM 20" (508) and greater

$$\text{Clear Opening Width} = \text{Frame OM Width} - 6 \frac{3}{16}" (157)$$

Frame OM Width less than 20" (508)

$$\text{Clear Opening Width} = \text{Frame OM Width} - 8 \frac{11}{16}" (220)$$

$$\text{Clear Opening Height} = \text{Frame OM Height} - 7 \frac{5}{16}" (186)$$

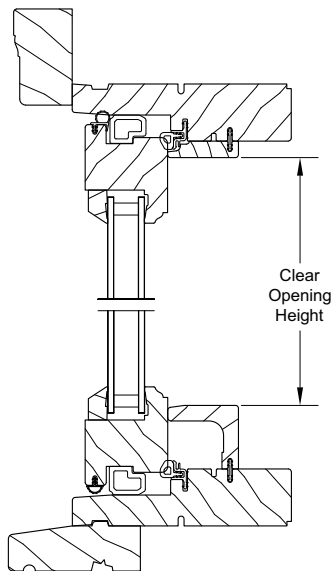
$$\text{Clear Opening Area (ft}^2\text{)} = (\text{Clear Opening Width} \times \text{Clear Opening Height}) \div 144$$

Vent Opening with Retractable Screen

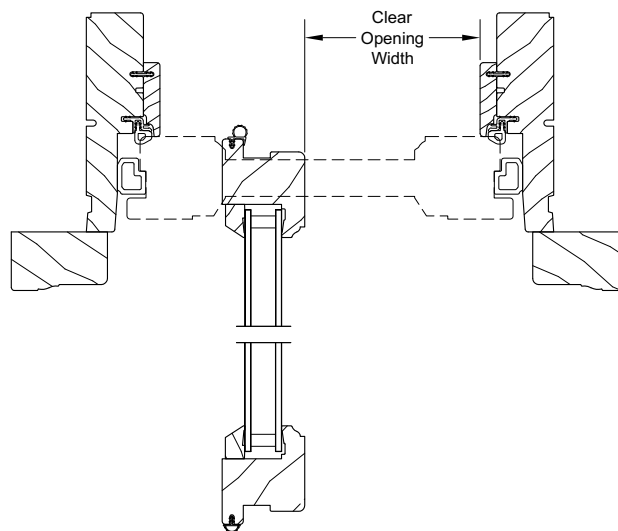
$$\text{Vent Opening Width} = \text{Frame OM Width} - 4 \frac{3}{16}" (106)$$

$$\text{Vent Opening Height} = \text{Frame OM Height} - 7 \frac{5}{16}" (186)$$

NOTE: Includes Subsill



Head Jamb and Sill



Jambs

Wood Ultimate Push Out Casement and Awning

Vent Opening: Push Out Awning

Vent Formulas with Retractable Screen for Push Out Awning Unit:

Vent Opening Width = Frame OM Width - 6 1/4" (159)

Vent Opening Height = frame OM Height - 4 3/16" (106)

Vent Opening with Standard Screen for Push Out Awning Unit:

Vent Opening Width = Frame OM Width - 3 1/8" (79)

Vent Opening Height = Frame OM Height - 4 1/16" (103)

Approximate Opening of Sash Measurement:

To find height:

(distance from top of sill cover to interior face top sash rail - formula is valid for stock hardware that opens 77-78 degrees)

If your frame OM is 11 7/8" (302) - 24 7/8" (632) - Opening of Sash = Frame OM Height - 9 1/4" (235)

If your frame OM is 24 7/8" (632) - 35 7/8" (911) - Opening of Sash = Frame OM Height - 13 3/4" (350)

If your frame OM is 35 7/8" (911) - 47 1/8" (1197) - Opening of Sash = Frame OM Height - 19 13/16" (504)

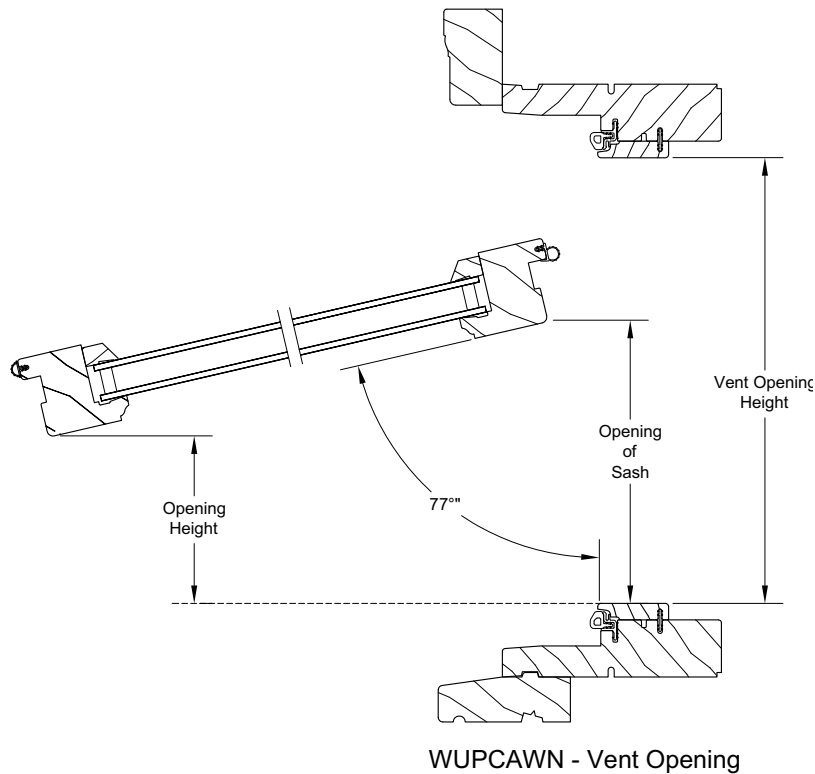
Awning Sash Travel:

If call number is 24 or smaller, sash travel is approximately 4 3/4" (121)

If call number is 24.001 - 32.000, sash travel is approximately 8" (203)

If call number is greater than 32", sash travel is approximately 11 1/2" (292)

NOTE: Subsill included



Wood Ultimate Push Out Casement and Awning

Egress and Vent Openings - Push Out Replacement Casement

Egress Formulas with Standard Screen

Clear Opening Width:

Frame OSM 20" (508) and greater

$$\text{Clear Opening Width} = \text{Frame OSM Width} - 6 \frac{3}{16}" (157)$$

Frame OSM Width less than 20" (508)

$$\text{Clear Opening Width} = \text{Frame OSM Width} - 8 \frac{11}{16}" (221)$$

$$\text{Clear Opening Height} = \text{Frame OSM Height} - 4 \frac{1}{16}" (103)$$

$$\text{Clear Opening Area (ft}^2\text{)} = (\text{Clear Opening Width} \times \text{Clear Opening Height}) / 144$$

Vent Opening Standard Screen

$$\text{Vent Opening Width} = \text{Frame OSM Width} - 4 \frac{31}{32}" (126)$$

$$\text{Vent Opening Height} = \text{Frame OSM Height} - 5 \frac{1}{8}" (130)$$

Egress Formulas with Retractable Screen

Clear Opening Width:

Frame OSM 20" (508) and greater

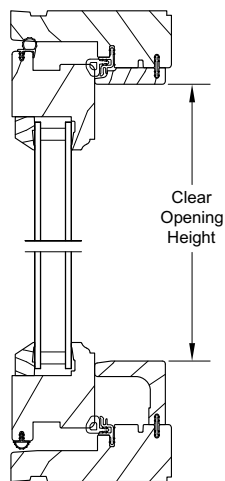
$$\text{Clear Opening Width} = \text{Frame OSM Width} - 6 \frac{3}{16}" (157)$$

Frame OSM Width less than 20" (508)

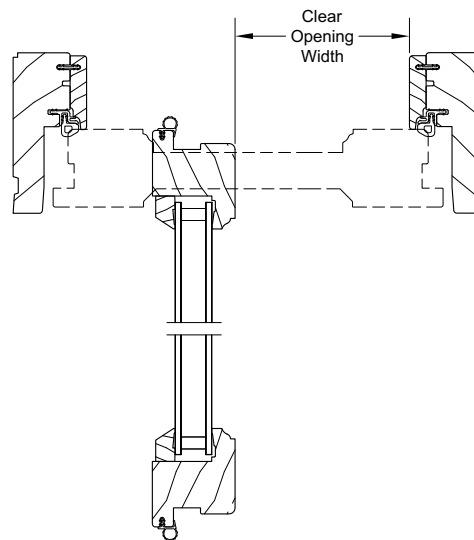
$$\text{Clear Opening Width} = \text{Frame OSM Width} - 8 \frac{1}{16}" (170)$$

$$\text{Clear Opening Height} = \text{Frame OSM Height} - 6 \frac{7}{16}" (164)$$

$$\text{Clear Opening Area (ft}^2\text{)} = (\text{Clear Opening Width} \times \text{Clear Opening Height}) / 144$$



Head Jamb and Sill



Jambs

Wood Ultimate Push Out Casement and Awning

Vent Opening - Push Out Replacement Awning

Vent Opening with Retractable Screen for Push Out Casement Unit:

Vent Opening Width = Frame OSM Width - 5 3/8" (137)

Vent Opening Height = Frame Height - 5 1/2" (140)

Vent Opening with Retractable Screen for Push Out Awning Unit:

Vent Opening Width = Frame OSM Width - 3 11/16" (94)

Vent Opening Height = Frame OSM Height - (distance from top of sill to interior face top sash rail)

(Formula is valid for stock hardware that opens 77-78 degrees)

11 7/8" (302) - 24 7/8" (632) Opening = Frame OSM Height - 9 1/4" (235)

24 7/8" (632) - 35 7/8" (911) Opening = Frame OSM Height - 13 3/4" (349)

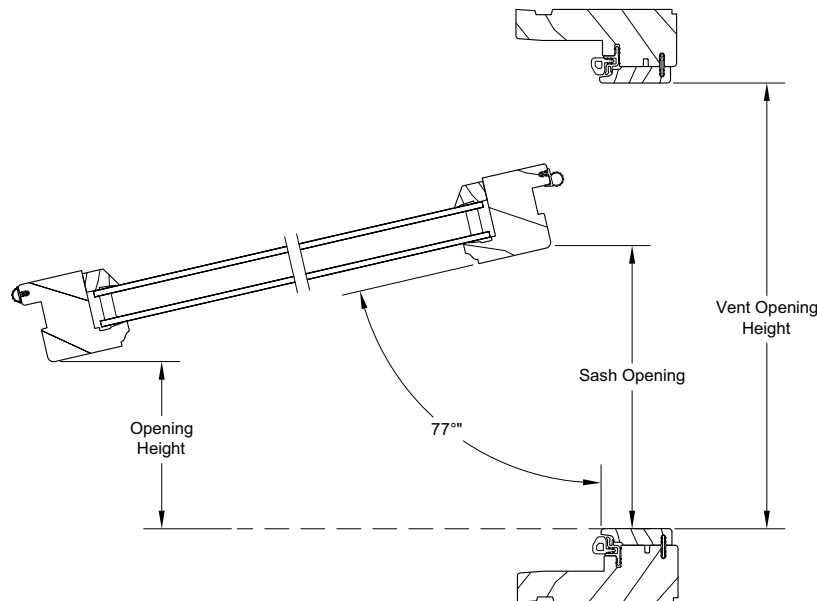
35 7/8" (911) - 47 1/8" (1197) Opening = Frame OSM Height - 19 13/16" (503)

Push Out Awning Sash Travel:

If call number is 24 or smaller, sash travel is approximately 4 3/4" (121)

If call number is 24.001 - 32, sash travel is approximately 8" (203)

If call number is greater than 32, sash travel is approximately 11 1/2" (292)



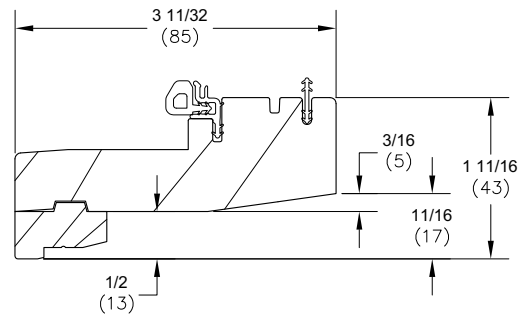
WUPRCA Vent Opening

Wood Ultimate Push Out Casement and Awning

Field Measurement for Replacement Units

Operator. Awning, Stationary, Picture Conversion from Field Measurement to Frame OSM		
Width		
Condition	Formula	
If blind stop width is 1/2" (13) or less	Frame OM Width - inside opening width - 0.375 (10)	
Height		
Condition	Type of Sill Bevel	Formula
If old sill angle is less than 8°	Flat-bottom Sill	Frame OM Height = inside opening height - 0.250 (6)
If old sill angle is greater than 8° and less than 14°	8-degreee-bottom sill	Frame OM Height = inside opening height - 0.0563 (1) (frame IM height has a .250 clearance)
If old is angle is 14° of greater	14-degree bottom sill	Frame OM Height = inside height = .431 (1) (frame OM Height has a .250 clearance)

Interior Frame Size to Frame Size (exterior)	
Frame Bevel	Conversions
0°	0
8°	+3/16" (5)
14°	+11/16" (17)



Standard Unit Measurements: Push Out Casement - Full Frame and Replacement Frame

Standard Push Out Casement Unit Measurements								
Width								
CN	Masonry Opening		Rough Opening		Frame Size		Daylight Opening	
	ft - in	mm	ft - in	mm	ft - in	mm	ft - in	mm
16	1-4 1/2	(419)	1-5	(432)	1-4	(406)	0-10 3/16	(259)
18	1-6 1/2	(470)	1-7	(483)	1-6	(457)	1-0 3/16	(310)
20	1-8 1/2	(521)	1-9	(533)	1-8	(508)	1-2 3/16	(360)
24	2-0 1/2	(622)	2-1	(635)	2-0	(610)	1-6 3/16	(462)
26	2-2 1/2	(673)	2-3	(686)	2-2	(660)	1-8 3/16	(513)
28	2-4 1/2	(724)	2-5	(737)	2-4	(711)	1-10 3/16	(564)
30	2-6 1/2	(775)	2-7	(787)	2-6	(762)	2-0 3/16	(614)
32	2-8 1/2	(826)	2-9	(838)	2-8	(813)	2-2 3/16	(665)
36	3-0 1/2	(927)	3-1	(940)	3-0	(914)	2-6 3/16	(767)
40	3-4 1/2	(1029)	3-5	(1041)	3-4	(1016)	2-10 3/16	(868)

Standard Push Out Casement Unit Measurements										
Height										
CN	Masonry Opening		Rough Opening		Frame Size		Daylight Opening (Std Bottom Rail)		Daylight Opening (Tall Bottom Rail)	
	ft - in	mm	ft - in	mm	ft - in	mm	ft - in	mm	ft - in	mm
16	1-4 5/16	(414)	1-4 9/16	(421)	1-4 1/16	(408)	0-9 5/16	(237)	0-7 13/16	(198)
18	1-6 5/16	(465)	1-6 9/16	(472)	1-6 1/16	(459)	0-11 5/16	(287)	0-9 13/16	(249)
20	1-8 5/16	(516)	1-8 9/16	(522)	1-8 1/16	(510)	1-1 5/16	(338)	0-11 13/16	(300)
24	2-0 5/16	(618)	2-0 9/16	(624)	2-0 1/16	(611)	1-5 5/16	(440)	1-3 13/16	(402)
28	2-4 5/16	(719)	2-4 9/16	(726)	2-4 1/16	(713)	1-9 5/16	(541)	1-7 13/16	(503)
32	2-8 5/16	(821)	2-8 9/16	(827)	2-8 1/16	(814)	2-1 5/16	(643)	1-11 13/16	(605)
36	3-0 5/16	(922)	3-0 9/16	(929)	3-0 1/16	(916)	2-5 5/16	(745)	2-3 13/16	(706)
40	3-4 5/16	(1024)	3-4 9/16	(1030)	3-4 1/16	(1018)	2-9 5/16	(846)	2-7 13/16	(808)
44	3-8 5/16	(1126)	3-8 9/16	(1132)	3-8 1/16	(1119)	3-1 5/16	(948)	2-11 13/16	(910)
48	4-0 5/16	(1227)	4-0 9/16	(1234)	4-0 1/16	(1221)	3-5 5/16	(1049)	3-3 13/16	(1011)
54	4-6 5/16	(1380)	4-6 9/16	(1386)	4-6 1/16	(1373)	3-11 5/16	(1202)	3-9 13/16	(1164)
56	4-8 5/16	(1430)	4-8 9/16	(1437)	4-8 1/16	(1424)	4-1 5/16	(1253)	3-11 13/16	(1214)
60	5-0 5/16	(1532)	5-0 9/16	(1538)	5-0 1/16	(1526)	4-5 5/16	(1354)	4-3 13/16	(1316)
64	5-4 5/16	(1634)	5-4 9/16	(1640)	5-4 1/16	(1627)	4-9 5/16	(1456)	4-7 13/16	(1418)
72	6-0 5/16	(1837)	6-0 9/16	(1843)	6-0 1/16	(1830)	5-5 5/16	(1659)	5-3 13/16	(1621)
78	6-6 5/16	(1989)	6-6 9/16	(1996)	6-6 1/16	(1983)	5-11 5/16	(1811)	5-9 13/16	(1773)
84	7-0 5/16	(2142)	7-0 9/16	(2148)	7-0 1/16	(2135)	6-5 5/16	(1964)	6-3 13/16	(1926)
92	7-8 5/16	(2345)	7-8 9/16	(2351)	7-8 1/16	(2338)	7-1 5/16	(2167)	6-11 13/16	(2129)
96	8-0 5/16	(2446)	8-0 9/16	(2453)	8-0 1/16	(2440)	7-5 5/16	(2269)	7-3 13/16	(2230)

Standard Unit Measurements: Push Out Awning - Full Frame and Replacement Frame

Standard Push Out Awning Unit Measurements								
Width								
CN	Masonry Opening		Rough Opening		Frame Size		Daylight Opening	
	ft - in	mm	ft - in	mm	ft - in	mm	ft - in	mm
16	1-7 5/8	(498)	1-5	(432)	1-4	(406)	0-10 3/16	(259)
18	1-9 5/8	(549)	1-7	(483)	1-6	(457)	1-0 3/16	(310)
20	1-11 5/8	(600)	1-9	(533)	1-8	(508)	1-2 3/16	(360)
24	2-3 5/8	(702)	2-1	(635)	2-0	(610)	1-6 3/16	(462)
26	2-5 5/8	(752)	2-3	(686)	2-2	(660)	1-8 3/16	(513)
28	2-7 5/8	(803)	2-5	(737)	2-4	(711)	1-10 3/16	(564)
30	2-9 5/8	(854)	2-7	(787)	2-6	(762)	2-0 3/16	(614)
32	2-11 5/8	(905)	2-9	(838)	2-8	(813)	2-2 3/16	(665)
36	3-3 5/8	(1006)	3-1	(940)	3-0	(914)	2-6 3/16	(767)
40	3-7 5/8	(1108)	3-5	(1041)	3-4	(1016)	2-10 3/16	(868)
48	4-3 5/8	(1311)	4-1	(1245)	4-0	(1219)	3-6 3/16	(1072)
56	4-11 5/8	(1514)	4-9	(1448)	4-8	(1422)	4-2 3/16	(1275)
60	5-3 5/8	(1616)	5-1	(1549)	5-0	(1524)	4-6 3/16	(1376)
64	5-7 5/8	(1718)	5-5	(1651)	5-4	(1626)	4-10 3/16	(1478)
72	6-3 5/8	(1921)	6-1	(1854)	6-0	(1829)	5-6 3/16	(1681)

Standard Push Out Awning Unit Measurements										
Height										
CN	Masonry Opening		Rough Opening		Frame Size		Daylight Opening (Std Bottom Rail)		Daylight Opening (Tall Bottom Rail)	
	ft - in	mm	ft - in	mm	ft - in	mm	ft - in	mm	ft - in	mm
14	1-3 7/8	(403)	1-2 9/16	(370)	1-2 1/16	(357)	0-7 5/16	(186)	0-5 13/16	(148)
16	1-5 7/8	(454)	1-4 9/16	(421)	1-4 1/16	(408)	0-9 5/16	(237)	0-7 13/16	(198)
18	1-7 7/8	(505)	1-6 9/16	(472)	1-6 1/16	(459)	0-11 5/16	(287)	0-9 13/16	(249)
20	1-9 7/8	(556)	1-8 9/16	(522)	1-8 1/16	(510)	1-1 5/16	(338)	0-11 13/16	(300)
24	2-1 7/8	(657)	2-0 9/16	(624)	2-0 1/16	(611)	1-5 5/16	(440)	1-3 13/16	(402)
28	2-5 7/8	(759)	2-4 9/16	(726)	2-4 1/16	(713)	1-9 5/16	(541)	1-7 13/16	(503)
32	2-9 7/8	(860)	2-8 9/16	(827)	2-8 1/16	(814)	2-1 5/16	(643)	1-11 13/16	(605)
36	3-1 7/8	(962)	3-0 9/16	(929)	3-0 1/16	(916)	2-5 5/16	(745)	2-3 13/16	(706)
40	3-5 7/8	(1064)	3-4 9/16	(1030)	3-4 1/16	(1018)	2-9 5/16	(846)	2-7 13/16	(808)
44	3-9 7/8	(1165)	3-8 9/16	(1132)	3-8 1/16	(1119)	3-1 5/16	(948)	2-11 13/16	(910)
48	4-1 7/8	(1267)	4-0 9/16	(1234)	4-0 1/16	(1221)	3-5 5/16	(1049)	3-3 13/16	(1011)

Standard Unit Measurements: 3/4" Push Out Casement Picture - Full/Replacement Frame

Standard 3/4" Push Out Casement Picture Unit Measurements								
Width								
CN	Masonry Opening		Rough Opening		Frame Size		Daylight Opening	
	ft - in	mm	ft - in	mm	ft - in	mm	ft - in	mm
40	3-7 5/8	(1108)	3-5	(1041)	3-4	(1016)	2-10 3/16	(868)
48	4-3 5/8	(1311)	4-1	(1245)	4-0	(1219)	3-6 3/16	(1072)
56	4-11 5/8	(1514)	4-9	(1448)	4-8	(1422)	4-2 3/16	(1275)
60	5-3 5/8	(1616)	5-1	(1549)	5-0	(1524)	4-6 3/16	(1376)
64	5-7 5/8	(1718)	5-5	(1651)	5-4	(1626)	4-10 3/16	(1478)
72	6-3 5/8	(1921)	6-1	(1854)	6-0	(1829)	5-6 3/16	(1681)
80	6-11 5/8	(2124)	6-9	(2057)	6-8	(2032)	6-2 3/16	(1884)
88	7-7 5/8	(2327)	7-5	(2261)	7-4	(2235)	6-10 3/16	(2088)
96	8-3 5/8	(2530)	8-1	(2464)	8-0	(2438)	7-6 3/16	(2291)

Standard 3/4" Push Out Casement Picture Unit Measurements										
Height										
CN	Masonry Opening		Rough Opening		Frame Size		Daylight Opening (Std Bottom Rail)		Daylight Opening (Tall Bottom Rail)	
	ft - in	mm	ft - in	mm	ft - in	mm	ft - in	mm	ft - in	mm
12	1-1 7/8	(352)	1-0 9/16	(319)	1-0 1/16	(306)	0-5 5/16	(135)	0-3 13/16	(97)
14	1-3 7/8	(403)	1-2 9/16	(370)	1-2 1/16	(357)	0-7 5/16	(186)	0-5 13/16	(148)
16	1-5 7/8	(454)	1-4 9/16	(421)	1-4 1/16	(408)	0-9 5/16	(237)	0-7 13/16	(198)
18	1-7 7/8	(505)	1-6 9/16	(472)	1-6 1/16	(459)	0-11 5/16	(287)	0-9 13/16	(249)
20	1-9 7/8	(556)	1-8 9/16	(522)	1-8 1/16	(510)	1-1 5/16	(338)	0-11 13/16	(300)
24	2-1 7/8	(657)	2-0 9/16	(624)	2-0 1/16	(611)	1-5 5/16	(440)	1-3 13/16	(402)
28	2-5 7/8	(759)	2-4 9/16	(726)	2-4 1/16	(713)	1-9 5/16	(541)	1-7 13/16	(503)
32	2-9 7/8	(860)	2-8 9/16	(827)	2-8 1/16	(814)	2-1 5/16	(643)	1-11 13/16	(605)
36	3-1 7/8	(962)	3-0 9/16	(929)	3-0 1/16	(916)	2-5 5/16	(745)	2-3 13/16	(706)
40	3-5 7/8	(1064)	3-4 9/16	(1030)	3-4 1/16	(1018)	2-9 5/16	(846)	2-7 13/16	(808)
44	3-9 7/8	(1165)	3-8 9/16	(1132)	3-8 1/16	(1119)	3-1 5/16	(948)	2-11 13/16	(910)
48	4-1 7/8	(1267)	4-0 9/16	(1234)	4-0 1/16	(1221)	3-5 5/16	(1049)	3-3 13/16	(1011)
54	4-7 7/8	(1419)	4-6 9/16	(1386)	4-6 1/16	(1373)	3-11 5/16	(1202)	3-9 13/16	(1164)
56	4-9 7/8	(1470)	4-8 9/16	(1437)	4-8 1/16	(1424)	4-1 5/16	(1253)	3-11 13/16	(1214)
60	5-1 7/8	(1572)	5-0 9/16	(1538)	5-0 1/16	(1526)	4-5 5/16	(1354)	4-3 13/16	(1316)
64	5-5 7/8	(1673)	5-4 9/16	(1640)	5-4 1/16	(1627)	4-9 5/16	(1456)	4-7 13/16	(1418)

Standard Unit Measurements: 1" Push Out Casement Picture - Full Frame

Standard 1" Push Out Casement Picture Unit Measurements								
Width								
CN	Masonry Opening		Rough Opening		Frame Size		Daylight Opening	
	ft - in	mm	ft - in	mm	ft - in	mm	ft - in	mm
40	3-7 5/8	(1108)	3-5	(1041)	3-4	(1016)	2-10 3/16	(868)
48	4-3 5/8	(1311)	4-1	(1245)	4-0	(1219)	3-6 3/16	(1072)
56	4-11 5/8	(1514)	4-9	(1448)	4-8	(1422)	4-2 3/16	(1275)
60	5-3 5/8	(1616)	5-1	(1549)	5-0	(1524)	4-6 3/16	(1376)
64	5-7 5/8	(1718)	5-5	(1651)	5-4	(1626)	4-10 3/16	(1478)
72	6-3 5/8	(1921)	6-1	(1854)	6-0	(1829)	5-6 3/16	(1681)
80	6-11 5/8	(2124)	6-9	(2057)	6-8	(2032)	6-2 3/16	(1884)
88	7-7 5/8	(2327)	7-5	(2261)	7-4	(2235)	6-10 3/16	(2088)
96	8-3 5/8	(2530)	8-1	(2464)	8-0	(2438)	7-6 3/16	(2291)

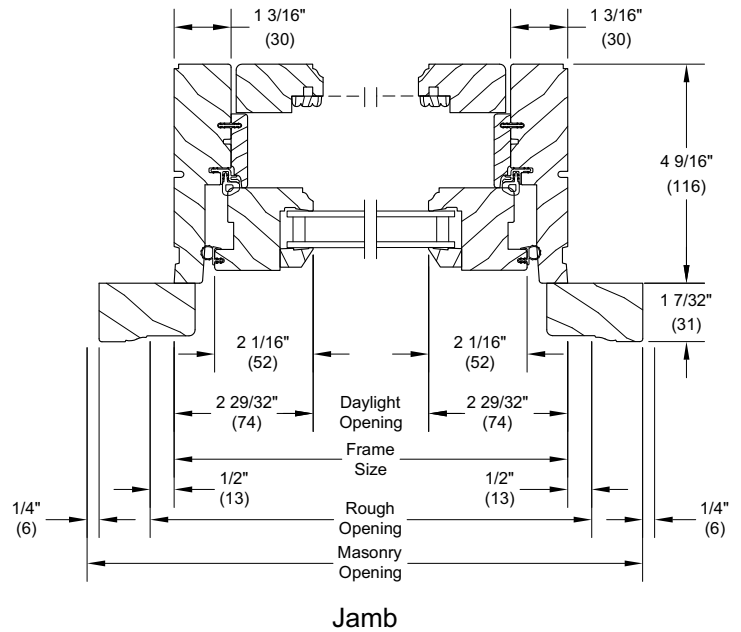
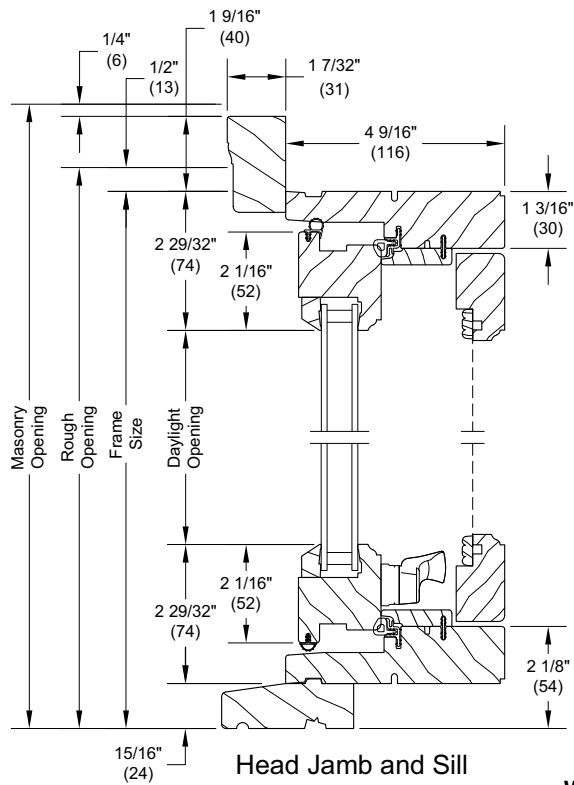
Standard 1" Push Out Casement Picture Unit Measurements										
Height										
CN	Masonry Opening		Rough Opening		Frame Size		Daylight Opening (Std Bottom Rail)		Daylight Opening (Tall Bottom Rail)	
	ft - in	mm	ft - in	mm	ft - in	mm	ft - in	mm	ft - in	mm
12	1-1 7/8	(352)	1-0 9/16	(319)	1-0 1/16	(306)	0-5 5/16	(135)	0-3 13/16	(97)
14	1-3 7/8	(403)	1-2 9/16	(370)	1-2 1/16	(357)	0-7 5/16	(186)	0-5 13/16	(148)
16	1-5 7/8	(454)	1-4 9/16	(421)	1-4 1/16	(408)	0-9 5/16	(237)	0-7 13/16	(198)
18	1-7 7/8	(505)	1-6 9/16	(472)	1-6 1/16	(459)	0-11 5/16	(287)	0-9 13/16	(249)
20	1-9 7/8	(556)	1-8 9/16	(522)	1-8 1/16	(510)	1-1 5/16	(338)	0-11 13/16	(300)
24	2-1 7/8	(657)	2-0 9/16	(624)	2-0 1/16	(611)	1-5 5/16	(440)	1-3 13/16	(402)
28	2-5 7/8	(759)	2-4 9/16	(726)	2-4 1/16	(713)	1-9 5/16	(541)	1-7 13/16	(503)
32	2-9 7/8	(860)	2-8 9/16	(827)	2-8 1/16	(814)	2-1 5/16	(643)	1-11 13/16	(605)
36	3-1 7/8	(962)	3-0 9/16	(929)	3-0 1/16	(916)	2-5 5/16	(745)	2-3 13/16	(706)
40	3-5 7/8	(1064)	3-4 9/16	(1030)	3-4 1/16	(1018)	2-9 5/16	(846)	2-7 13/16	(808)
44	3-9 7/8	(1165)	3-8 9/16	(1132)	3-8 1/16	(1119)	3-1 5/16	(948)	2-11 13/16	(910)
48	4-1 7/8	(1267)	4-0 9/16	(1234)	4-0 1/16	(1221)	3-5 5/16	(1049)	3-3 13/16	(1011)
54	4-7 7/8	(1419)	4-6 9/16	(1386)	4-6 1/16	(1373)	3-11 5/16	(1202)	3-9 13/16	(1164)
56	4-9 7/8	(1470)	4-8 9/16	(1437)	4-8 1/16	(1424)	4-1 5/16	(1253)	3-11 13/16	(1214)
60	5-1 7/8	(1572)	5-0 9/16	(1538)	5-0 1/16	(1526)	4-5 5/16	(1354)	4-3 13/16	(1316)
64	5-5 7/8	(1673)	5-4 9/16	(1640)	5-4 1/16	(1627)	4-9 5/16	(1456)	4-7 13/16	(1418)
72	6-1 7/8	(1876)	6-0 9/16	(1843)	6-0 1/16	(1830)	5-5 5/16	(1659)	5-3 13/16	(1621)
78	6-7 7/8	(2029)	6-6 9/16	(1996)	6-6 1/16	(1983)	5-11 5/16	(1811)	5-9 13/16	(1773)
84	7-1 7/8	(2181)	7-0 9/16	(2148)	7-0 1/16	(2135)	6-5 5/16	(1964)	6-3 13/16	(1926)
92	7-9 7/8	(2384)	7-8 9/16	(2351)	7-8 1/16	(2338)	7-1 5/16	(2167)	6-11 13/16	(2129)
96	8-1 7/8	(2486)	8-0 9/16	(2453)	8-0 1/16	(2440)	7-5 5/16	(2269)	7-3 13/16	(2230)

Wood Ultimate Push Out Casement and Awning

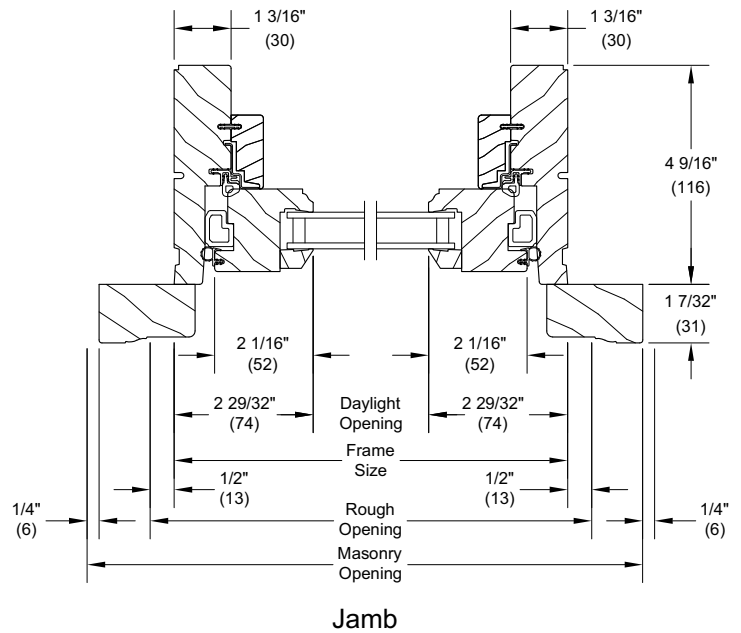
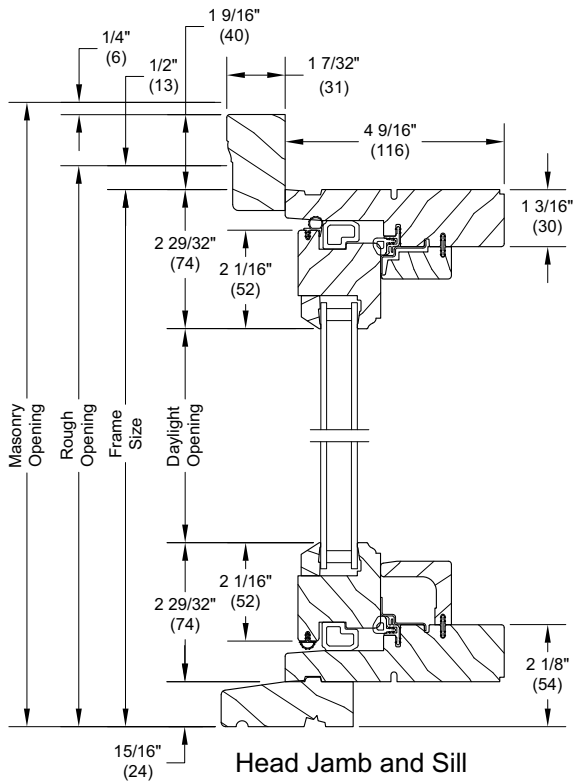
Section Details: Operating/Stationary - Push Out Casement/Awning - 3/4" (19) IG

Scale: 3" = 1' 0"

WUPCA



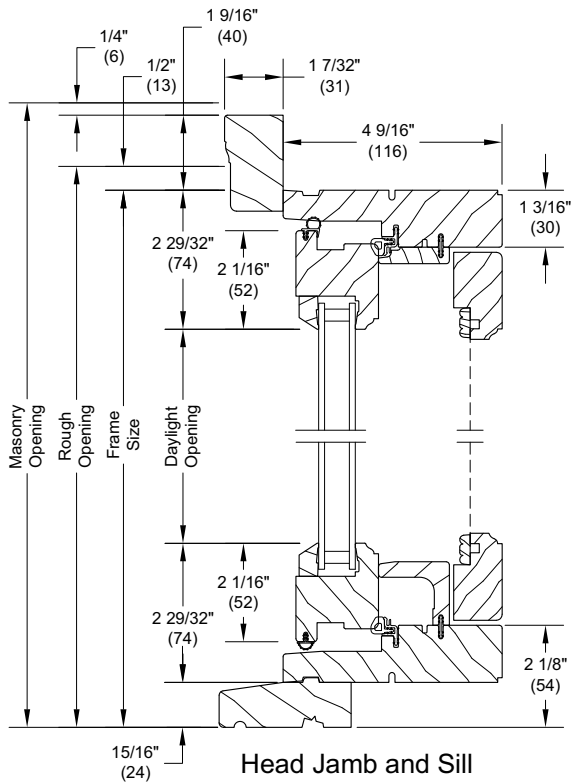
WUPAWN



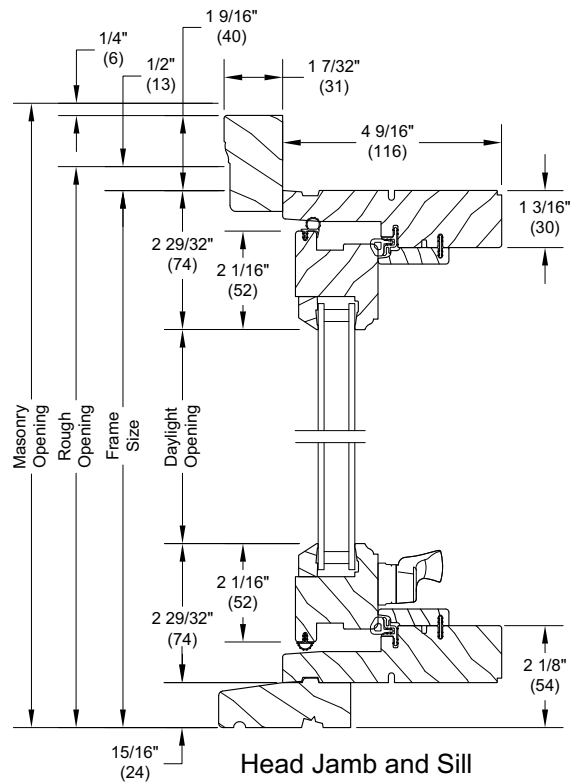
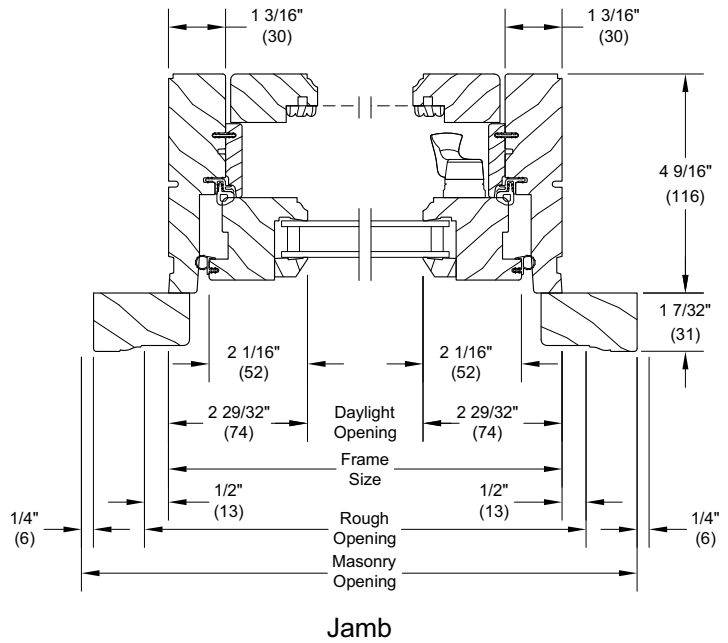
Wood Ultimate Push Out Casement and Awning

Section Details: Operating/Stationary - Push Out Casement/Awning - 1" (25) IG

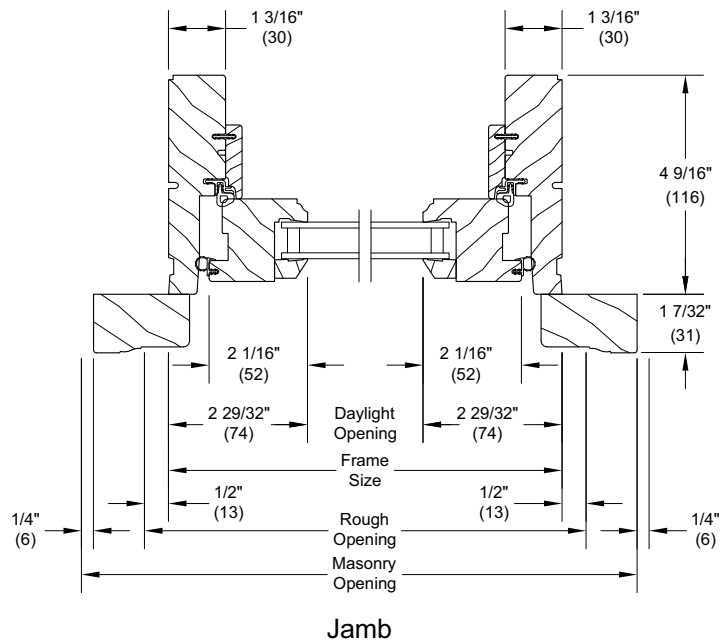
Scale: 3" = 1' 0"



WUPCA



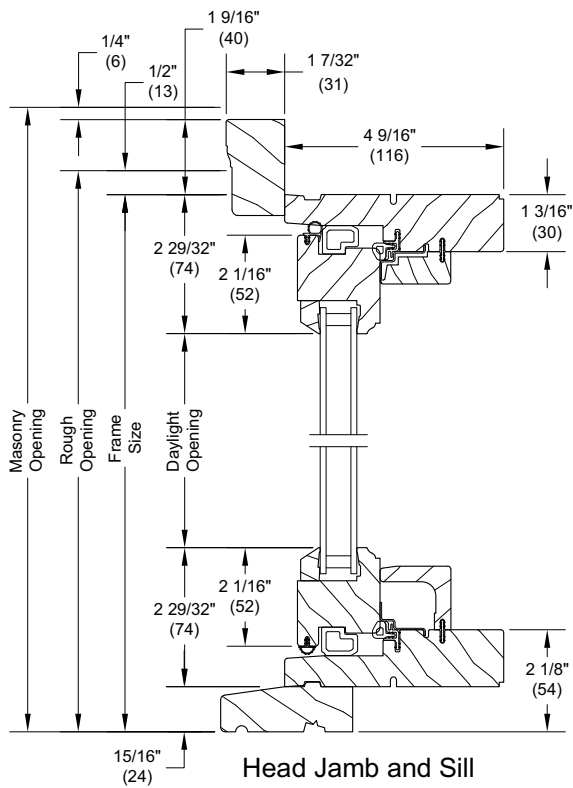
WUPAWN



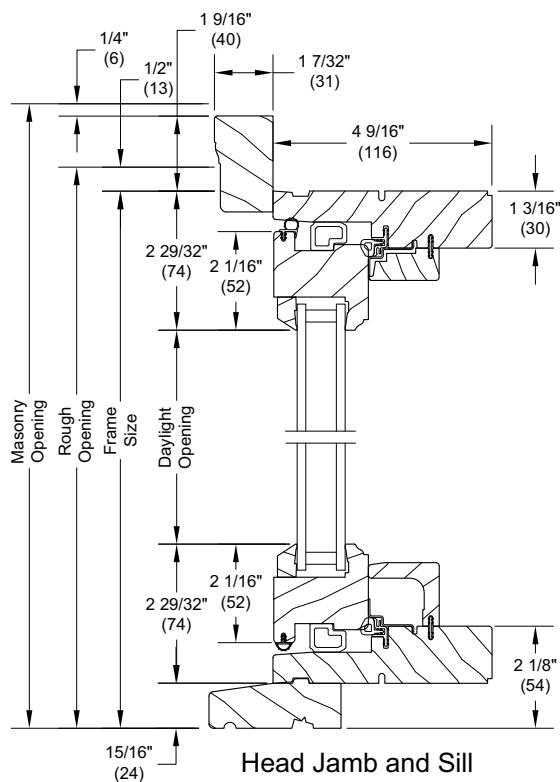
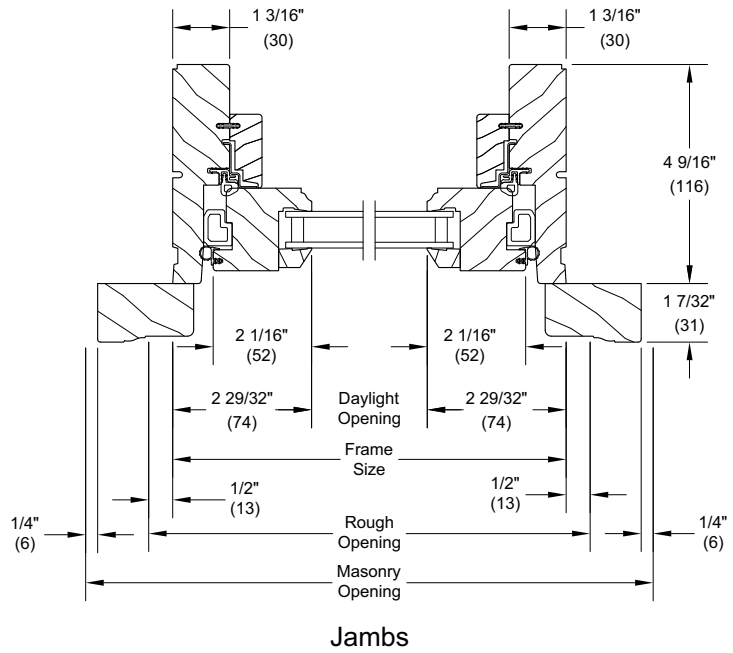
Wood Ultimate Push Out Casement and Awning

Section Details: Push Out Stationary/Picture - 3/4" (19) and 1" (25) IG

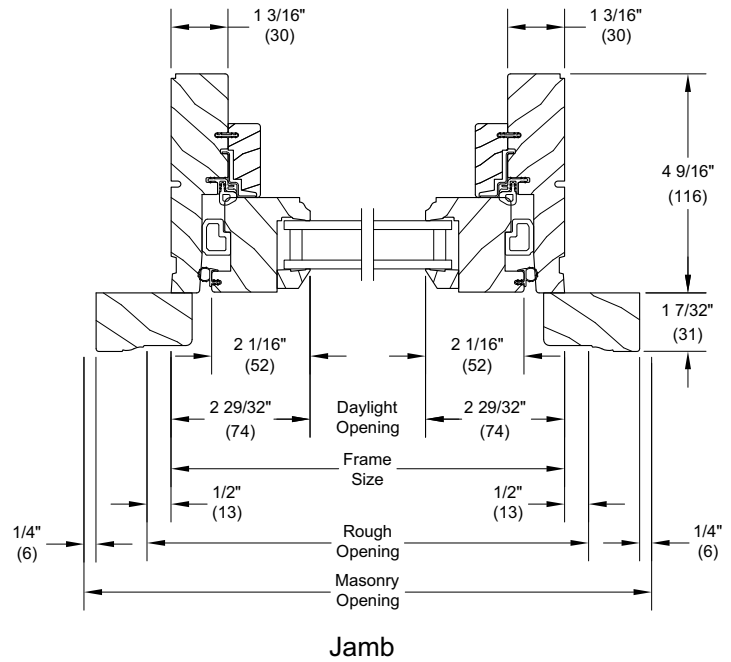
Scale: 3" = 1' 0"



3/4" IG



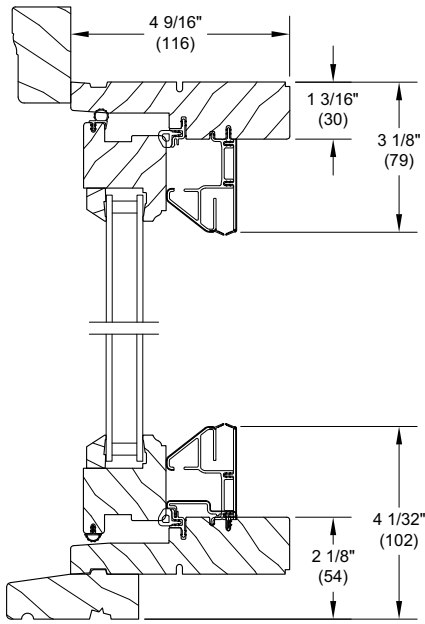
1" IG



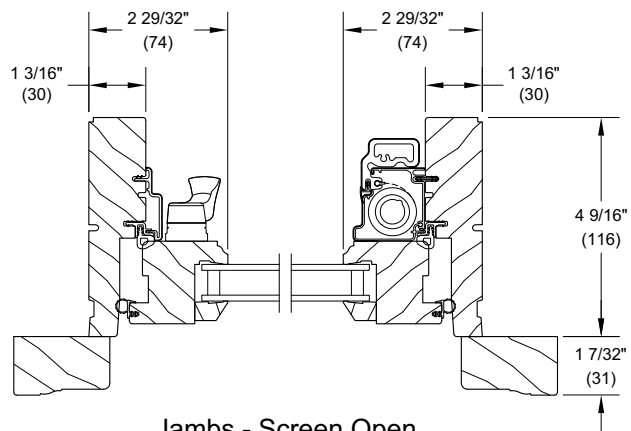
Wood Ultimate Push Out Casement and Awning

Section Details: Retractable Screen - Push Out Casement

Scale: 3" = 1' 0"



Head Jamb and Sill

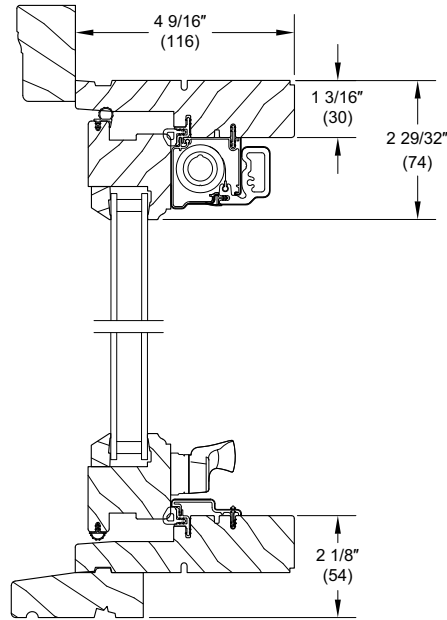


Jambs - Screen Open

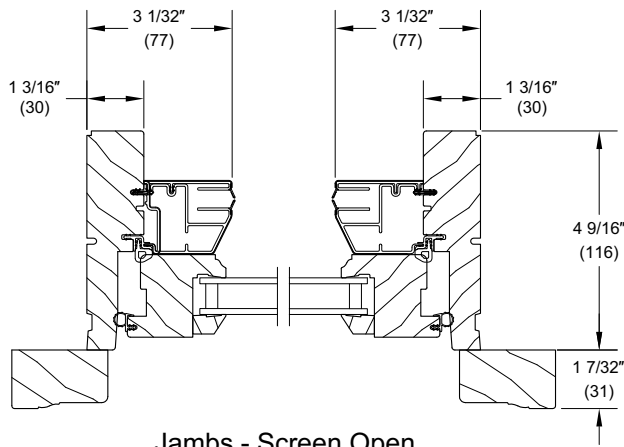
Wood Ultimate Push Out Casement and Awning

Section Details: Retractable Screen - Push Out Awning

Scale: 3" = 1' 0"



Head Jamb and Sill



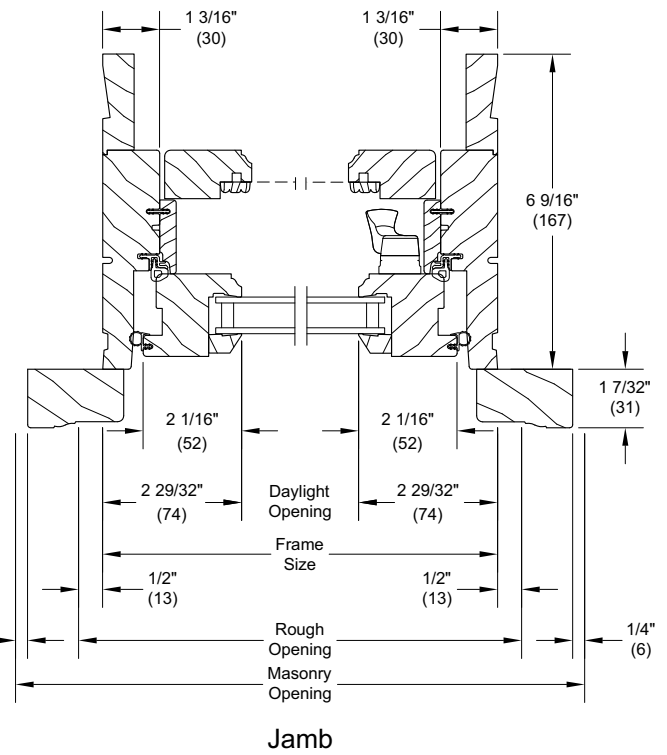
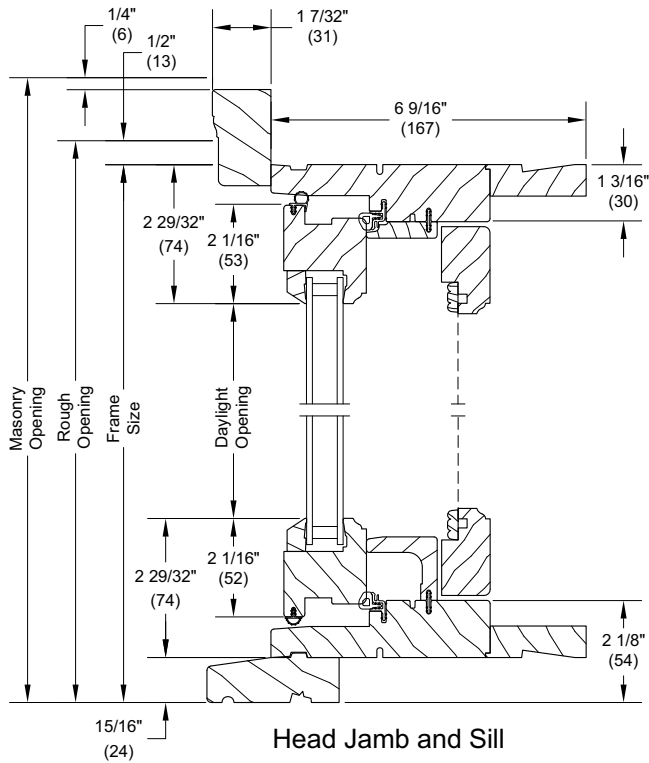
Jams - Screen Open

Wood Ultimate Push Out Casement and Awning

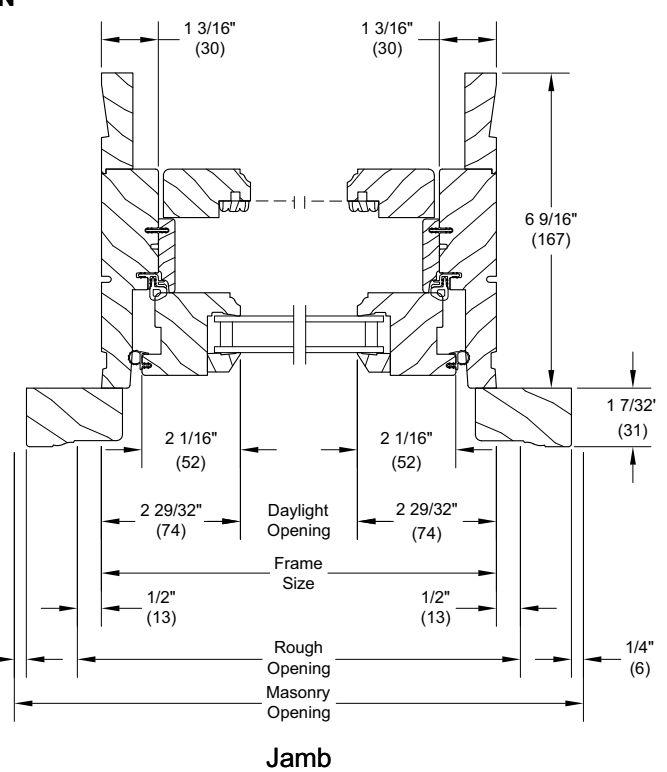
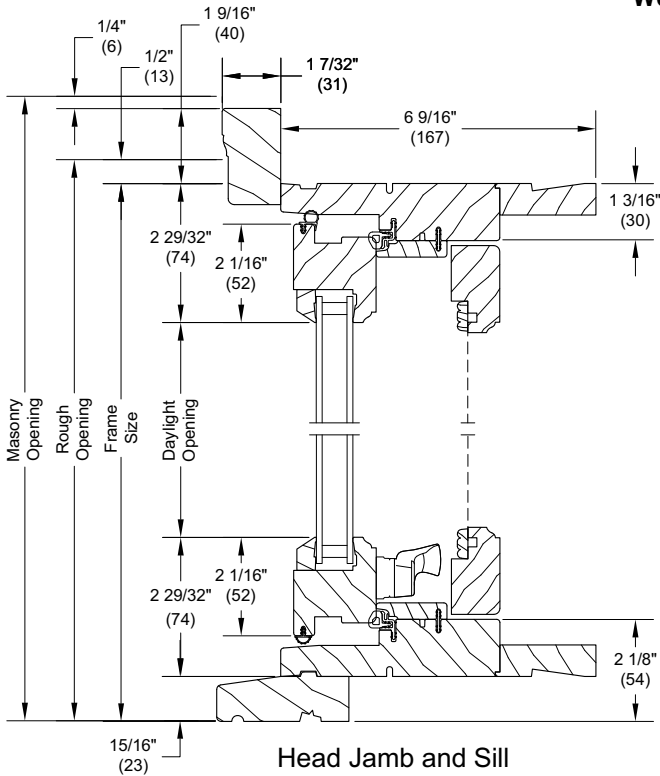
Section Details: 6 9/16" (167) Jambs, Wood Screen - Push Out Casement / Awning

Scale: 3" = 1' 0"

WUPCA



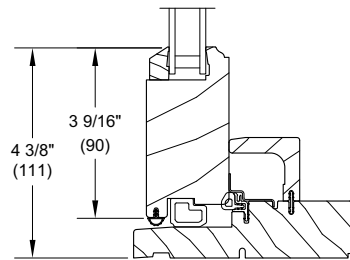
WUPAWN



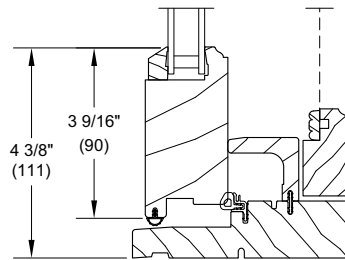
Wood Ultimate Push Out Casement and Awning

Section Details: Wide Bottom Rail Option - Push Out Casement and Awning

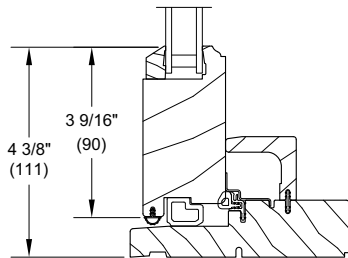
Scale: 3" = 1' 0"



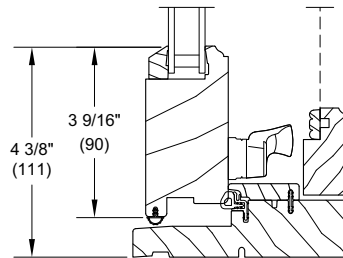
Push Out Casement Stationary



Push Out Casement Operable



Push Out Awning Stationary

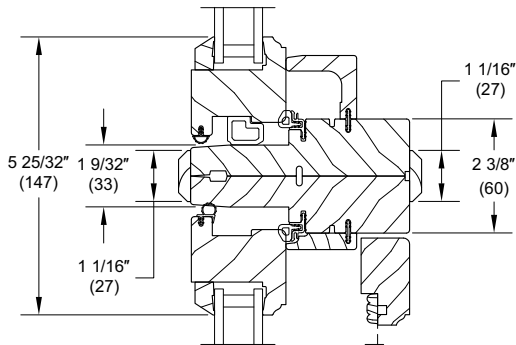


Push Out Awning Operable

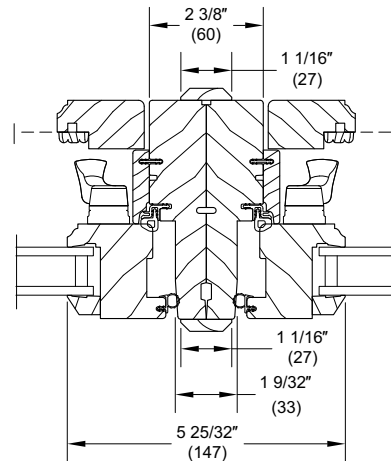
Wood Ultimate Push Out Casement and Awning

Section Details: Full Frame Push Out Casement Mullion Options

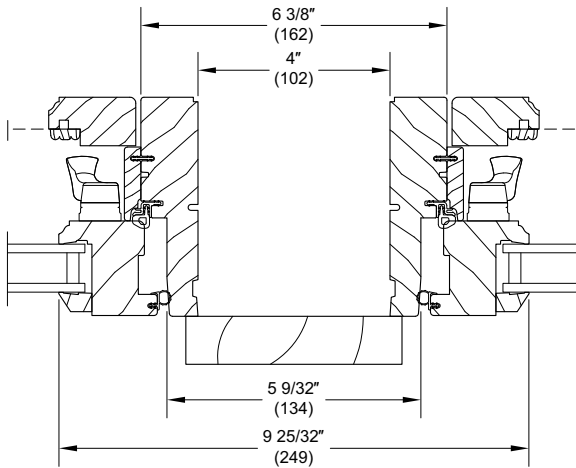
Scale: 3" - 1' 0"



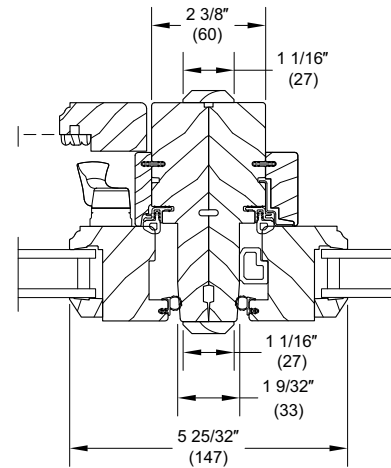
**Horizontal Mullion
Picture/Operator**



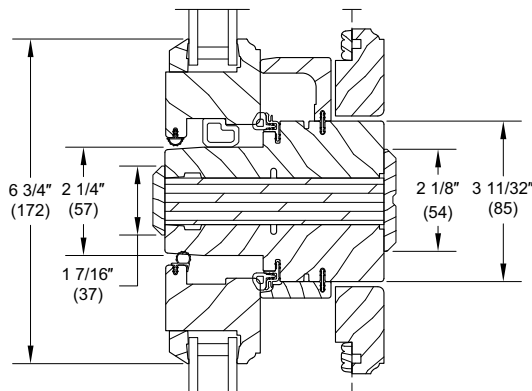
**Vertical Mullion
Operator/Operator/Direct Mull**



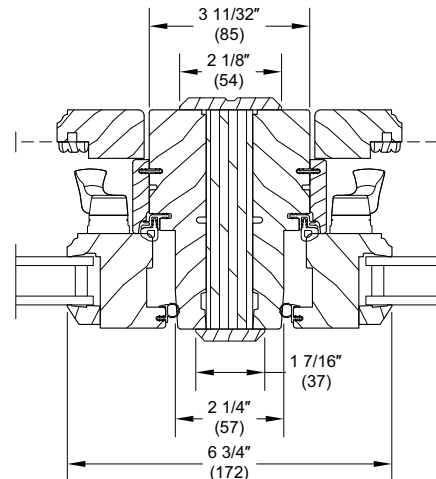
Vertical Mullion w/ 4\"/>



**Vertical Mullion
Operator/Picture/Direct Mull**



**Horizontal Mullion
LVL Operator/Operator**

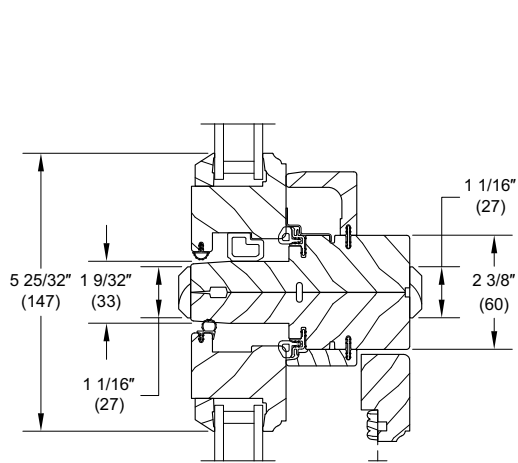


**Vertical Mullion
LVL Operator/Operator**

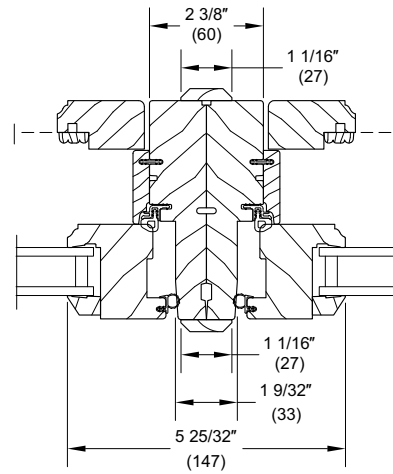
Wood Ultimate Push Out Casement and Awning

Section Details: Full Frame Push Out Awning Mullion Options

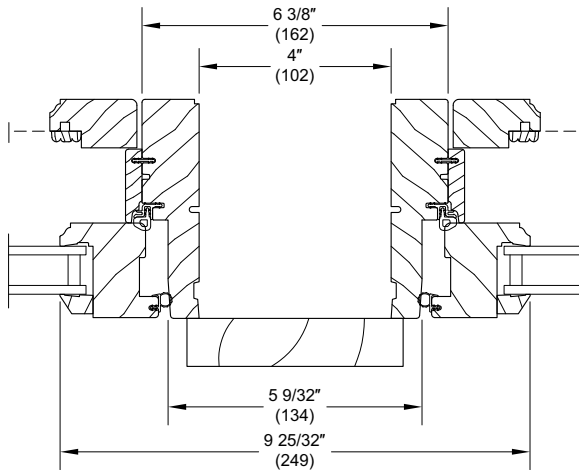
Scale: 3" - 1' 0"



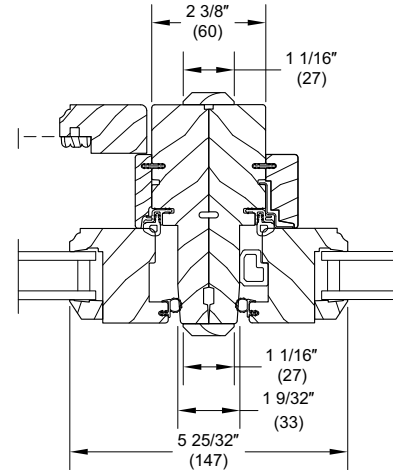
Horizontal Mullion
Picture/Operator



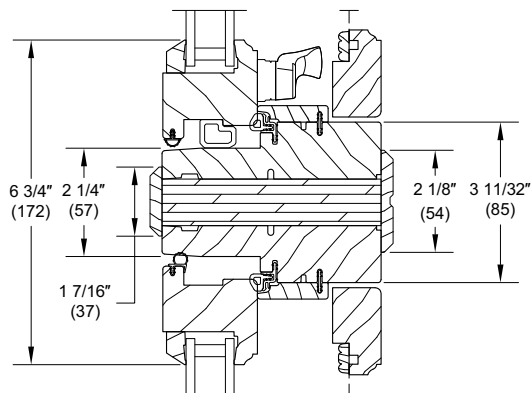
Vertical Mullion
Operator/Operator/Direct Mull



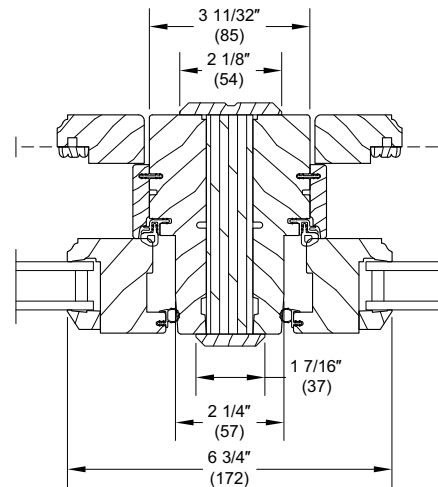
Vertical Mullion w/ 4" Space Mull
Operator/Operator



Vertical Mullion
Operator/Picture/Direct Mull



Horizontal Mullion
LVL Operator/Operator

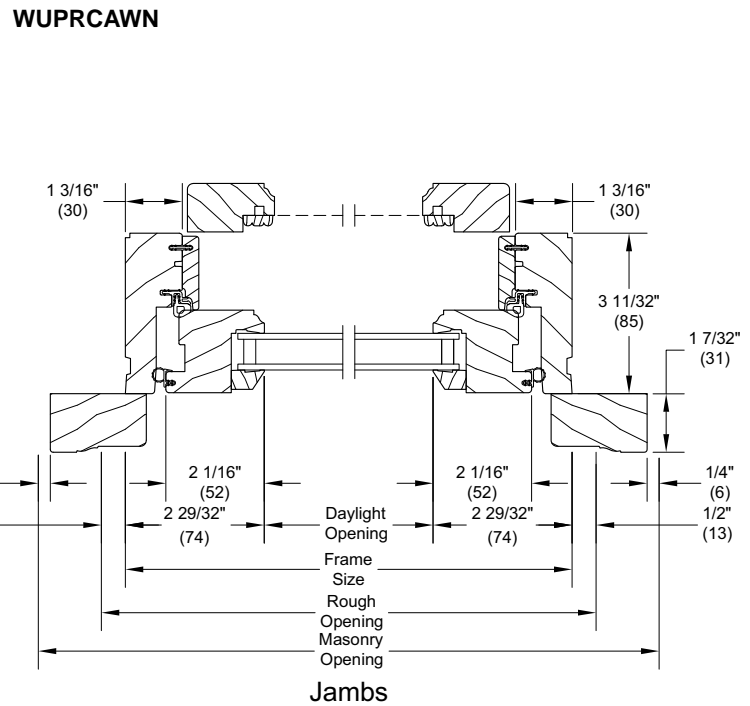
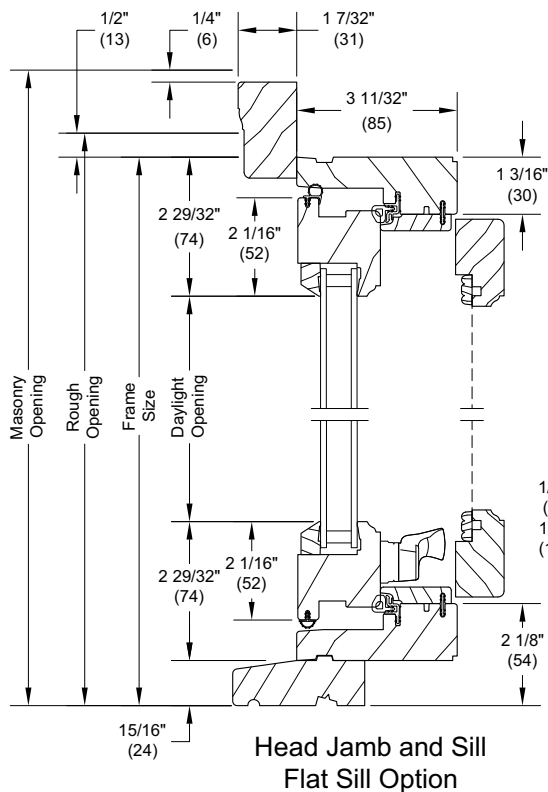
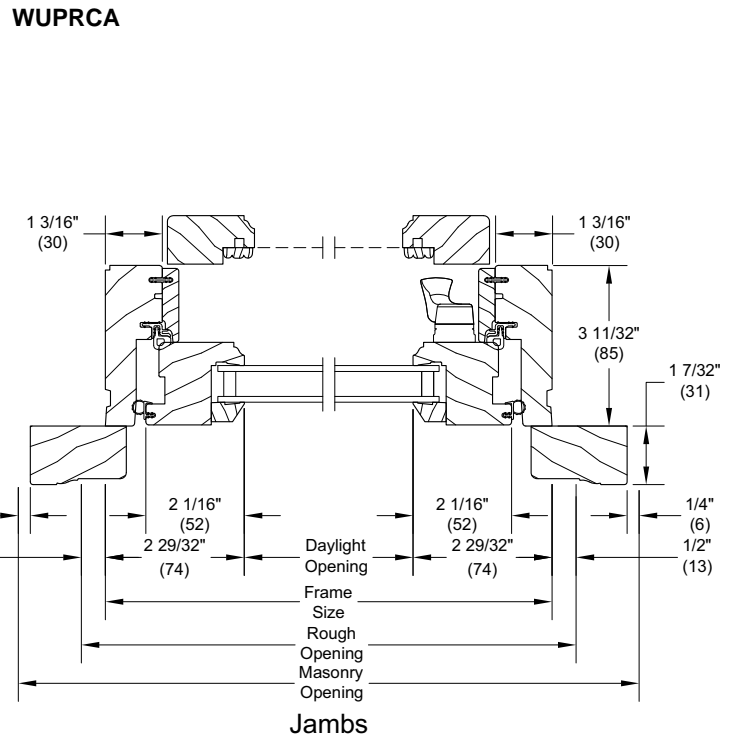
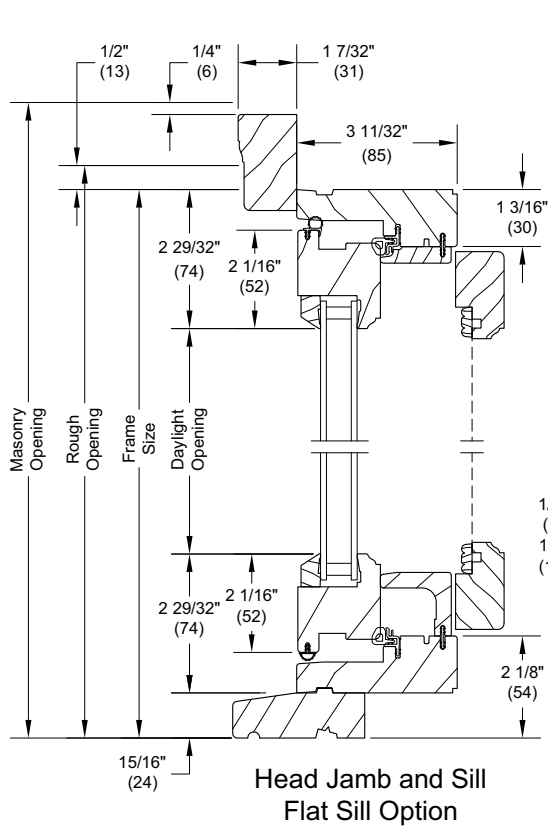


Vertical Mullion
LVL Operator/Operator

Wood Ultimate Push Out Casement and Awning

Section Details: Push Out Replacement - Casement / Awning

Scale: 3" - 1' 0"



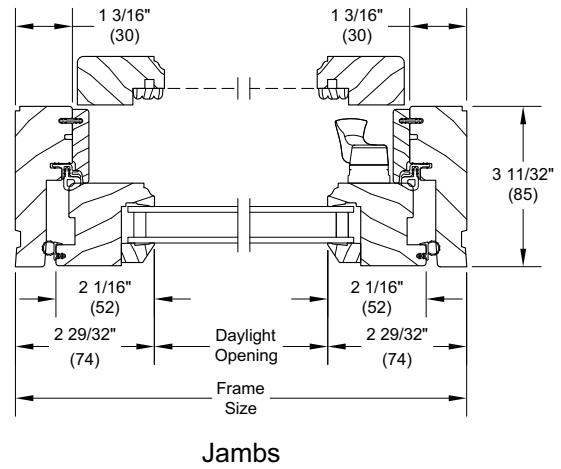
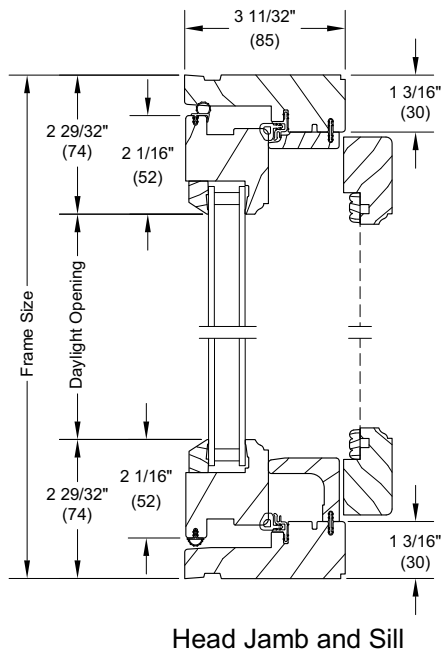
NOTE: CE mark is not available with replacement frame.

Wood Ultimate Push Out Casement and Awning

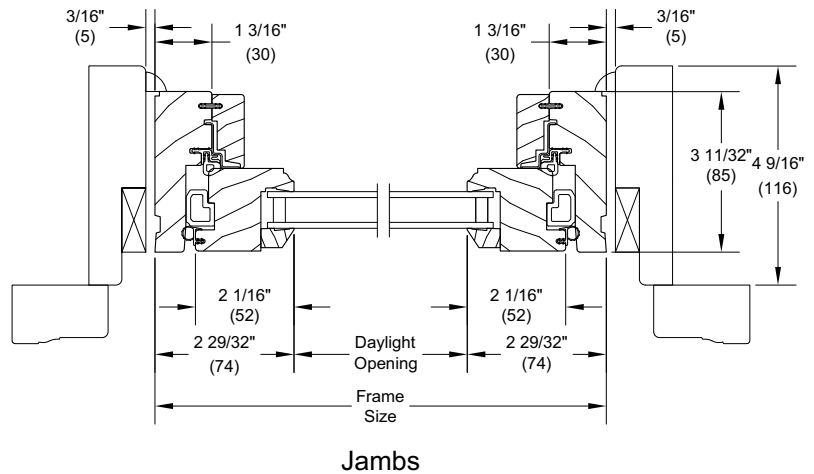
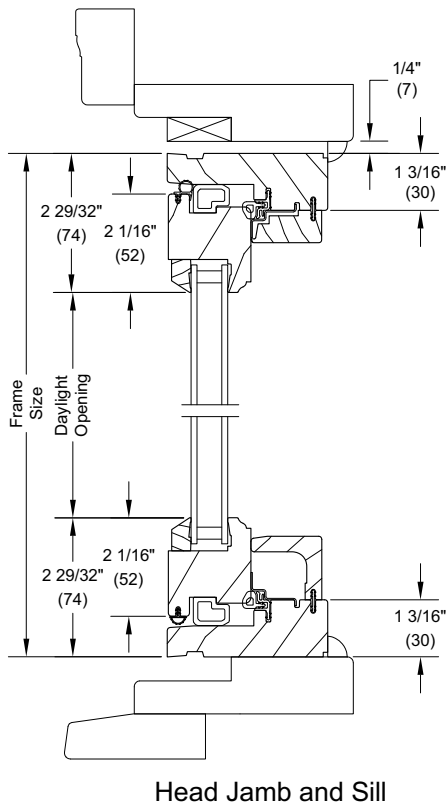
Section Details: Push Out Replacement / Picture - Casement Frame

Scale: 3" - 1' 0"

WUPRCA



WUPRCAP

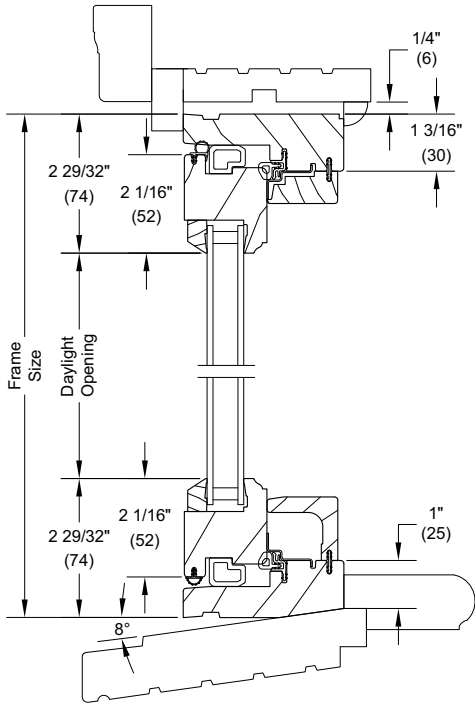


NOTE: CE mark is not available with replacement frame.

Wood Ultimate Push Out Casement and Awning

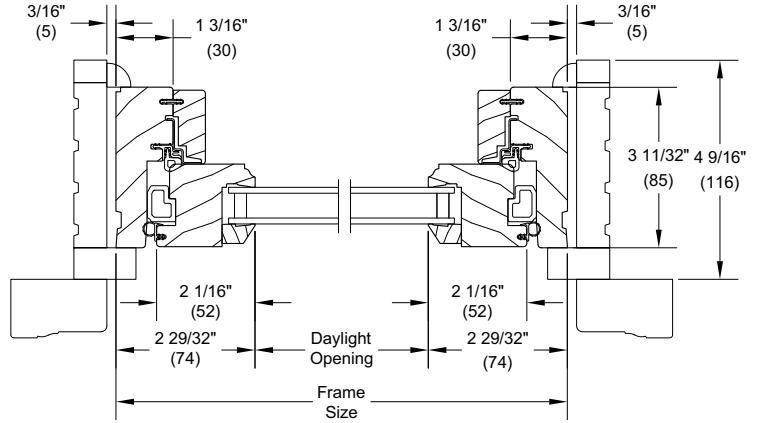
Section Details: Push Out Replacement / Picture - Double Hung Frame

Scale: 3" - 1' 0"



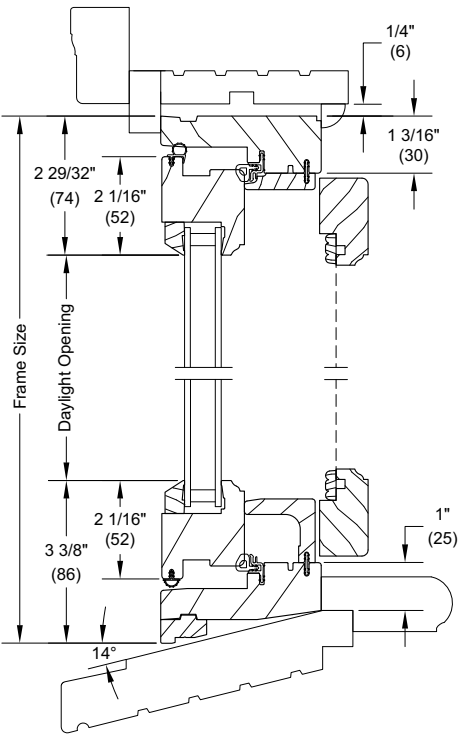
Head Jamb and Sill

Operating - 8 Degree

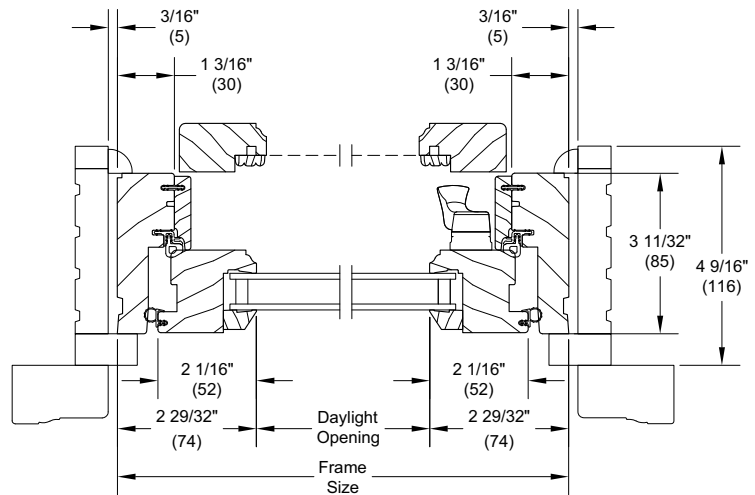


Jambs

Operating - 14 Degree



Head Jamb and Sill



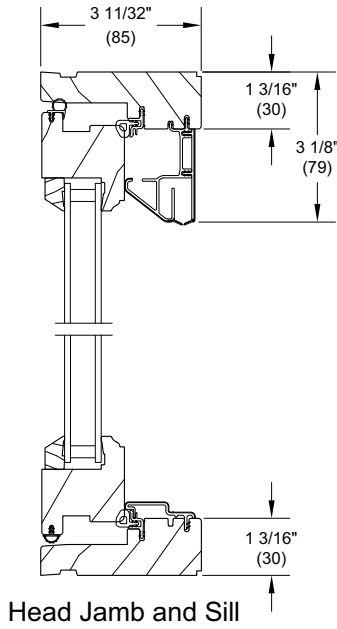
Jambs

NOTE: CE mark is not available with replacement frame.

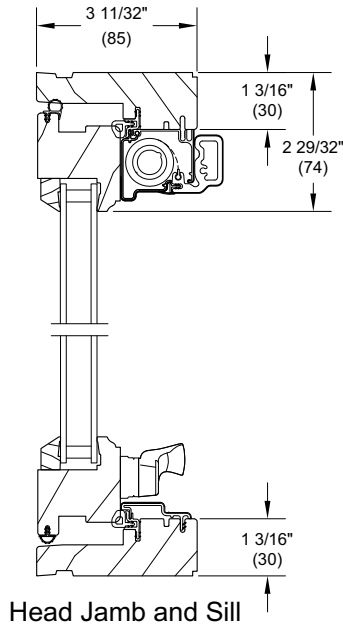
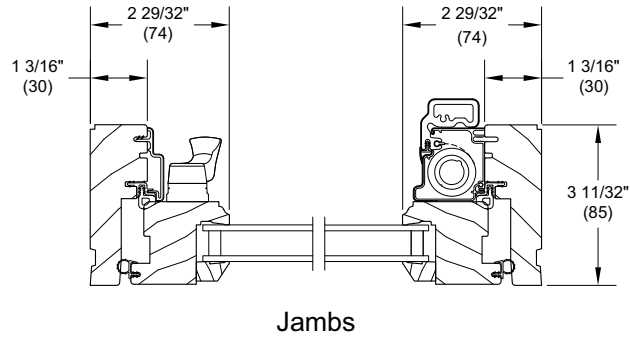
Wood Ultimate Push Out Casement and Awning

Section Details: Retractable Screen - Push Out Replacement Casement / Awning

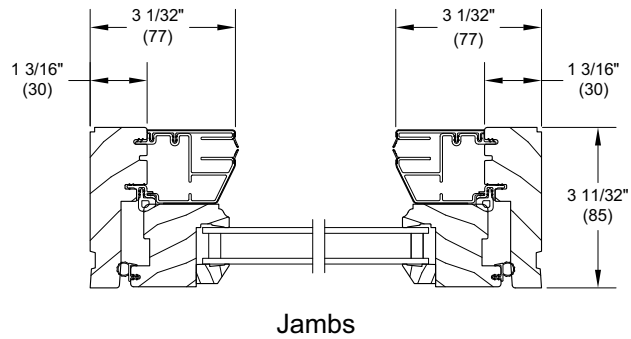
Scale: 3" - 1' 0"



WUPRCA



WUPRAWN

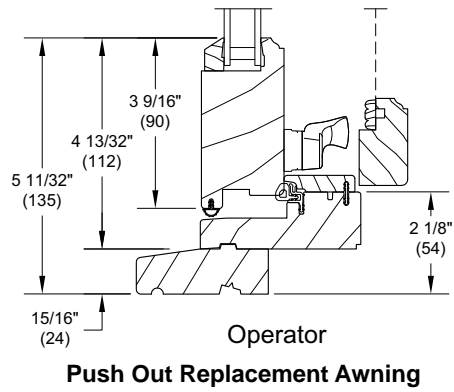
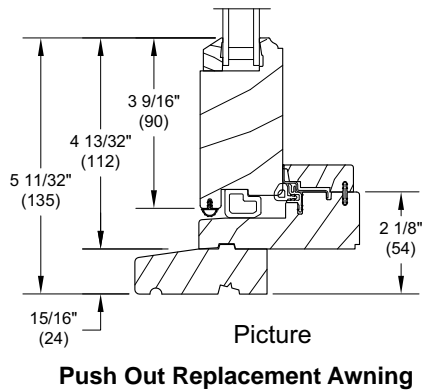
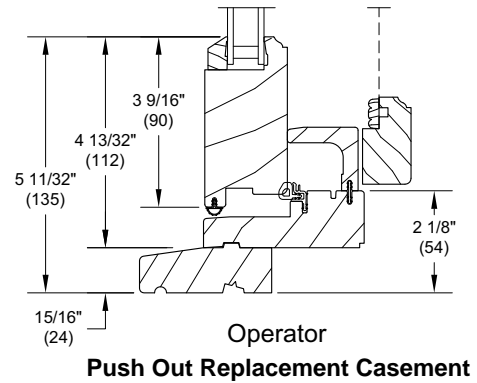
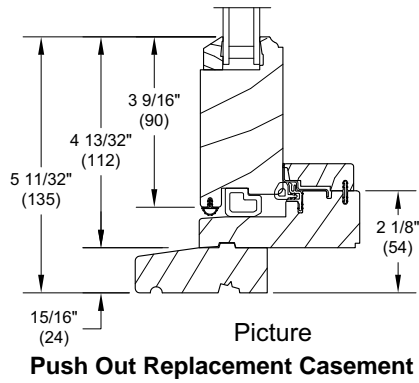


NOTE: CE mark is not available with replacement frame.

Wood Ultimate Push Out Casement and Awning

Section Details: Replacement Wide Bottom Rail Option

Scale: 3" = 1' 0"

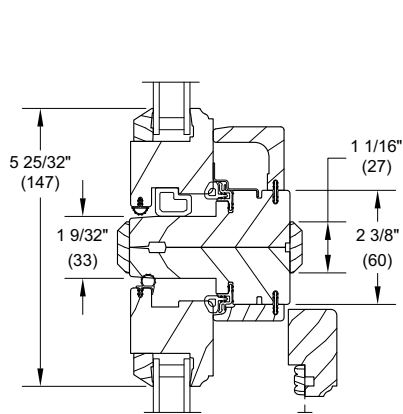


NOTE: CE mark is not available with replacement frame.

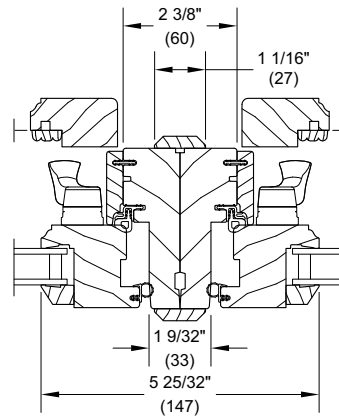
Wood Ultimate Push Out Casement and Awning

Section Details: Push Out Replacement Casement Mullion Options

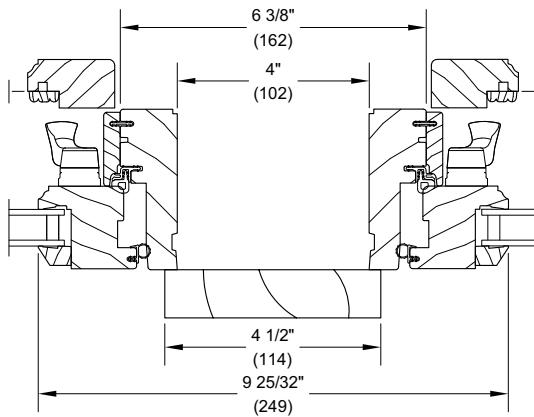
Scale: 3" - 1' 0"



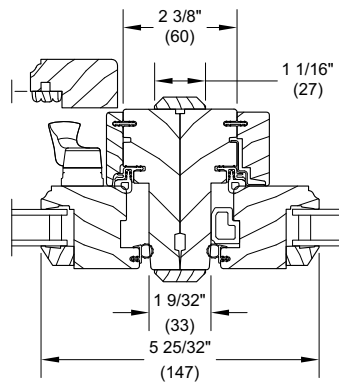
**Horizontal Mullion
Stationary/Operator**



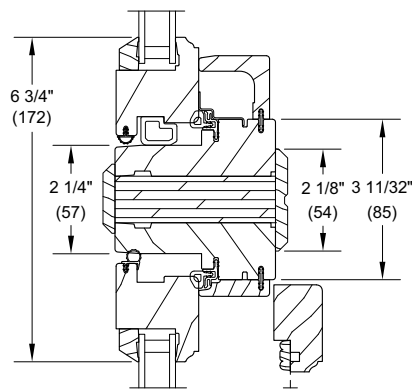
**Vertical Mullion
Operator/Operator/Direct Mull**



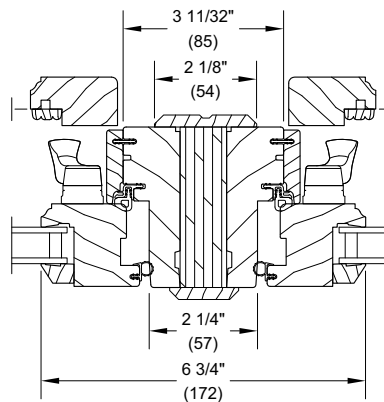
Vertical Mullion with 4\"/>



**Vertical Mullion
Operator/Picture/Direct Mull**



**Horizontal Mullion
LVL Operator/Operator**



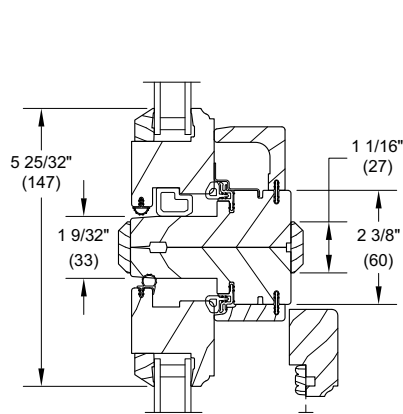
**Vertical Mullion
LVL Operator/Operator**

NOTE: CE mark is not available with replacement frame.

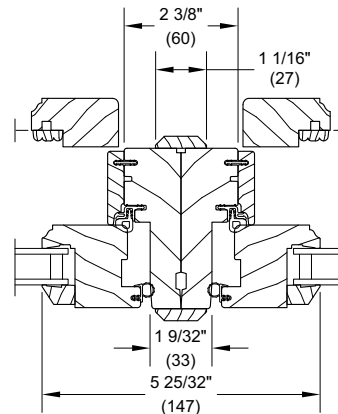
Wood Ultimate Push Out Casement and Awning

Section Details: Push Out Replacement Awning Mullion Options

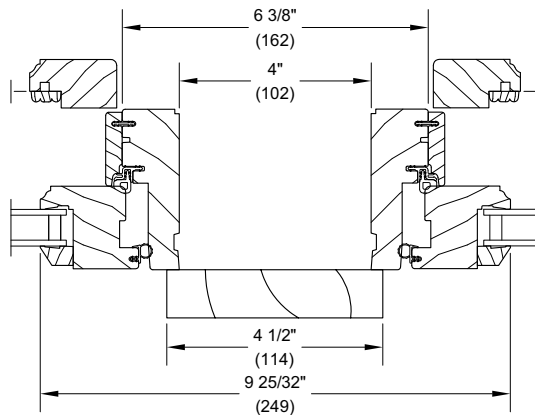
Scale: 3" - 1' 0"



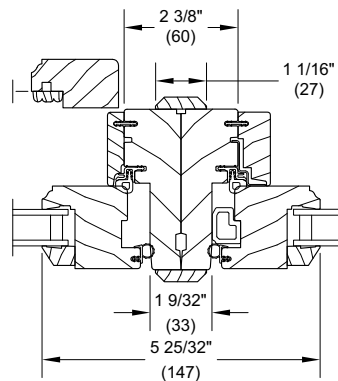
**Horizontal Mullion
Stationary/Operator**



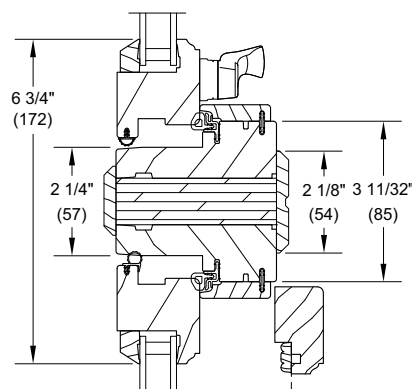
**Vertical Mullion
Operator/Operator/Direct Mull**



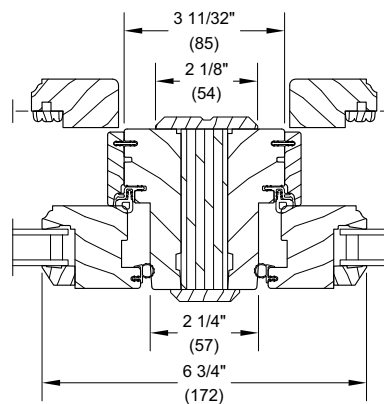
Vertical Mullion with 4\"/>



**Vertical Mullion
Operator/Picture/Direct Mull**



**Horizontal Mullion
LVL Operator/Operator**



**Vertical Mullion
LVL Operator/Operator**

NOTE: CE mark is not available with replacement frame.