

Wood Ultimate Double Hung Magnum

Unit Features.....	1
Egress and Vent Openings	2
Minimum and Maximum Guidelines/Certified Sizes and Ratings: Standard	3
Minimum and Maximum Guidelines/Certified Sizes and Ratings: IZ3.....	4
Measurement Conversions	5
Section Details: Operating.....	7
Section Details: Transom	8
Section Details: Picture	9
Section Details: Operator IZ3.....	10
Section Details: Combination and Storm Sash	11
Section Details: Interior Shade Option	12
Section Details: Mulled Direct Glaze with Interior Shade Option	13
Section Details: Mullions	14
Section Details: Operator/Stationary with Cedar Dress Option.....	15

Wood Ultimate Double Hung Magnum

Unit Features

Wood Ultimate Double Hung Magnum: WUDHM

Wood Ultimate Single Hung Magnum: WUSHM

Wood Ultimate Double Hung Magnum Picture: WUDHMP

Wood Ultimate Double Hung Magnum Transom: WUDHMT

Operating Hardware:

- Sash lock and keeper: surface mounted, open style crescent cam lock. Two locks on glass of 36" (914) and wider. Color: Satin Taupe.
 - Optional colors: Bronze, White, Brass, Antique Brass, Satin Chrome, Satin Nickel, and Oil Rubbed Bronze.
- Balance System: Spiral balance system, designed to balance sash from 10 lbs. to 130 lbs.
- Pivot pins two per sash made of stainless steel are used. Clutches two per sash designed to receive the pivot pin and are designed to support sash weight up to 130 lbs.
- Tilt latch provided for easy tilting of the top sash inward, located at check rail.
- Optional Sash lift: same colors as offered in locks.
- Optional window opening control device field applied.

Optional Glass: WUDM - 7/8" (22) glazing, WUDHMP - 1" (25) glazing only

- Tripane Low E1 outer piece and Low E1 Argon inner piece
- Tripane Low E1 outer piece and Low E1 Krypton-Argon inner piece
- Tripane Low E2 outer piece and Low E2 Argon inner piece
- Tripane Low E2 outer piece and Low E2 Krypton-Argon inner piece
- Tripane Low E3 outer piece and Low E1 Argon inner piece
- Tripane Low E3 outer piece and Low E1 Krypton-Argon inner piece

CE Optional Glazing:

- Glazing method: Insulating
- Glazing seal: Silicone glazed
- Standard glass is insulating Low E2 Argon or air
- Optional dual glazing available: Low E1 Argon or air, Low E3 Argon or air, Low E2/ERS Argon or air, Low E3/ERS Argon or air, clear, laminated clear and tints. tempered, sandblasted
- Optional Tripane glass types for WUDHM - 7/8" (22) glazing, WUDHMP - 1" (25) glazing only: Low E1/E1 Argon or Krypton-Argon, Low E2/E2 Argon or Krypton-Argon, Low E3/E1 Argon or Krypton-Argon
- Glass panes available in 3, 4, or 6 mm thicknesses
- Glazing will be altitude adjusted for higher elevations, Argon, Argon-Krypton, and Krypton gas not included

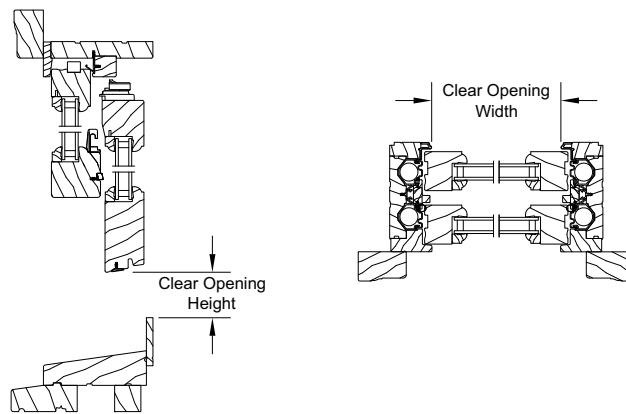
CE Mulling Options:

- Mullled assemblies up to 70 3/4" (1797) x 80 3/8" (2042) as 1H x multi-width
- Mullled assemblies with 1" (25) LVL or 3/8" (10) aluminum mull reinforcement up to 124 7/8" (3172) x 100 3/8" (2550) as a multi-wide or multi-high assembly

Egress and Vent Openings

Not to Scale

Egress Conversions		
Glass Size Width = 1 7/8" (48) = Egress Width Rough Opening Width - 4 1/2" (114) = Egress Width		
Glass Size Height	Rough Opening Height	Egress Height
20" (508) to less than 28" (711)	49 1/2" (1257) to less than 65 1/2" (1664)	16 1/2" (419)
28" (711) to less than 38" (965)	65 1/2" (1664) to less than 85 1/2" (2172)	24 1/2" (622)
38" (965) to less than 49" (1245)	85 1/2" (2172) to less than 107 1/2" (2731)	34 1/2" (876)
49" (1245) to less than 60" (1524)	107 1/2" (2731) to less than 129 1/2" (3289)	45 1/2" (1156)



NOTE: When utilizing the Interior Shade option, the egress width is reduced by 17/32" and height is reduced by 5/32".

Minimum and Maximum Guidelines/Certified Sizes and Ratings: Standard

Minimum and Maximum Rough Opening Guidelines									
Unit Type		Minimum				Maximum			
		Width		Height		Width		Height	
		in	mm	in	mm	in	mm	in	mm
WUDHM	Insulating Glass	26 3/8	(670)	49 1/2	(1257)	60 3/8	(1534)	121 1/2	(3086)
WUDHM	Single Glaze	26 3/8	(670)	49 1/2	(1257)	60 3/8	(1534)	121 1/2	(3086)
WUDHT	Insulating Glass	14 3/8	(365)	13 7/8	(352)	74 3/8	(1889)	28 3/16	(716)
WUDHT	Single Glaze	14 3/8	(365)	13 7/8	(352)	74 3/8	(1889)	28 3/16	(716)
WUDHMP	Insulating Glass	14 3/8	(365)	16 3/16	(411)	62 3/8	(1584)	57 1/2	(1461)
WUDHMP	1" Insulating Glass	14 3/8	(365)	16 3/16	(411)	62 3/8	(1584)	57 1/2	(1461)
WUDHMP	Single Glaze	14 3/8	(365)	16 3/16	(411)	62 3/8	(1584)	105 1/2	(2680)

NOTE: Maximum Interior Shade width 72" (1829) and Maximum Interior Shade height 113" (2870)

Minimum and Maximum for CE Mark - WUDHM Operable, Transom and Picture									
Unit Type		Min Frame Size Unit				Max Frame Size Unit			
		Width		Height		Width		Height	
		in	mm	in	mm	in	mm	in	mm
WUDHM	Insulating Glass	26 3/8	(670)	49 1/2	(1257)	59 3/8	(1508)	120	(3048)
WUDHMT	Insulating Glass	14 3/8	(365)	13 7/8	(352)	79 3/8	(2016)	27 11/16	(703)
WUDHMP	1" Insulating Glass	14 3/8	(365)	16 3/16	(411)	61 3/8	(1559)	105	(2667)

Product	Air Tested to psf	Water Tested to psf	Structural Tested to psf	Certification Rating	Design Pressure (DP)	Overall Width		Overall Height	
						in	mm	in	mm
Wood Ultimate Double Hung Magnum 4848	1.57	7.5	75	LC-PG50-H	50	53 3/8	(1356)	105	(2667)
Wood Ultimate Double Hung Magnum 5456	1.57	5.25	52.5	LC-PG35-H	35	59 3/8	(1508)	121	(3073)
Wood Ultimate Double Hung Magnum Picture	1.57	7.5	75	CW-PG50-FW	50	61 3/8	(1559)	105	(2667)

NOTE: For CE ratings, please refer to CE Performance Section.

Wood Ultimate Double Hung Magnum

Minimum and Maximum Guidelines/Certified Sizes and Ratings: IZ3

IZ3 Minimum and Maximum Rough Opening Guidelines									
Unit Type		Minimum				Maximum			
		Width		Height		Width		Height	
		in	mm	in	mm	in	mm	in	mm
WUDHM	Insulating Glass	26 3/8	(670)	48 13/32	(1230)	54 3/8	(1381)	105 1/2	(2680)

NOTE: Maximum Interior Shade width 72" (1829) and Maximum Interior Shade height 113" (2870)

Product	Air Tested to psf	Water Tested to psf	Structural Tested to psf	Certification Rating	Design Pressure (DP)	Overall Width		Overall Height	
						in	mm	in	mm
Wood Ultimate Double Hung Magnum IZ3 4256	1.57	7.5	75	LC-PG50-H	+50/-65	47 3/8	(1203)	121	(3073)
Wood Ultimate Double Hung Magnum IZ3 4848	1.57	7.5	75	LC-PG50-H	+50/-65	53 3/8	(1356)	105	(2667)

NOTE: CE mark is not available on Impact units.

Measurement Conversions

Wood Ultimate Double Hung Magnum						
Unit Measurements		Width		Height		
From	To					
Frame Size		in	mm		in	mm
OM of Frame	Rough Opening	+ 1	(25)		+ 1/2	(13)
Masonry Opening w/BMC	Frame Size	-3 1/8	(79)		-1 9/16	(40)
Glass		in	mm		in	mm
Daylight Opening	Glass	+ 1 1/16	(27)		+ 1 1/16	(27)
Screen		in	mm		in	mm
OM of Frame	OM of Screen	-1 1/2	(38)		-1 7/8	(48)
Daylight Opening	OM of Screen	+ 4 3/8	(111)	× 2	+ 8 21/32	(220)
Half Screen		in	mm		in	mm
OM of Frame	OM of Screen	-1 1/2	(38)	÷ 2	+ 1/2	(13)
Daylight Opening	OM of Screen	+ 4 3/8	(111)		+ 5 5/16	(135)
Interior Shade		in	mm		in	mm
OM of Frame	Shade Surround	-1 15/32	(37)		-2 11/16	(68)

Wood Ultimate Double Hung Magnum Transom w/out subsill						
Unit Measurements		Width		Height		
From	To					
Frame Size		in	mm		in	mm
Rough Opening	Frame Size	+ 1	(25)		+ 1/2	(13)
Masonry Opening w/BMC	Frame Size	-2 1/8	(54)		-1 1/16	(27)
Glass		in	mm		in	mm
Daylight Opening	Glass	+ 1 1/16	(27)		+ 1 1/16	(27)
Interior Shade		in	mm		in	mm
OM of Frame	Shade Surround	-1 15/32	(37)		-2 11/16	(68)

Measurement Conversions

Wood Ultimate Double Hung Magnum Picture - 1 5/8" Sash					
Unit Measurements		Width		Height	
From	To				
Frame Size		in	mm	in	mm
Rough Opening	Frame Size	+ 1	(25)	+ 1/2	(13)
Masonry Opening w/BMC	Frame Size	-2 1/8	(54)	+ 1 9/16	(40)
Glass		in	mm	in	mm
Daylight Opening	Glass	+ 1 3/16	(30)	+ 1 1/16	(27)
Interior Shade		in	mm	in	mm
OM of Frame	Shade Surround	-1 15/32	(37)	-2 3/32	(53)

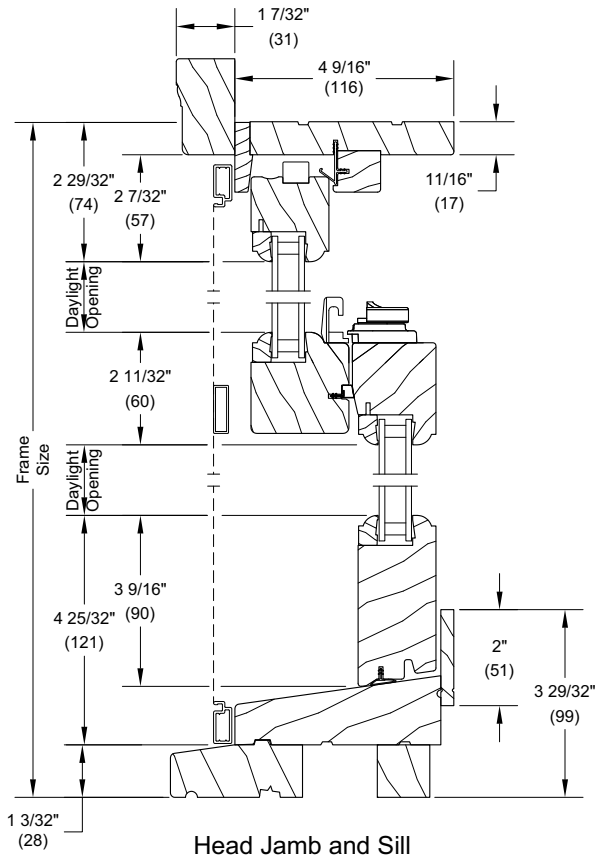
Wood Ultimate Double Hung Magnum Picture - 2" Sash					
Unit Measurements		Width		Height	
From	To				
Frame Size		in	mm	in	mm
Rough Opening	Frame Size	+ 1	(25)	+ 1/2	(13)
Masonry Opening w/BMC	Frame Size	-2 1/8	(54)	-1 1/16	(27)
Glass		in	mm	in	mm
Daylight Opening	Glass	+ 1 3/16	(30)	+ 1 3/16	(30)
Interior Shade		in	mm	in	mm
OM of Frame	Shade Surround	-1 15/32	(37)	-2 11/16	(68)

Wood Ultimate Double Hung Magnum

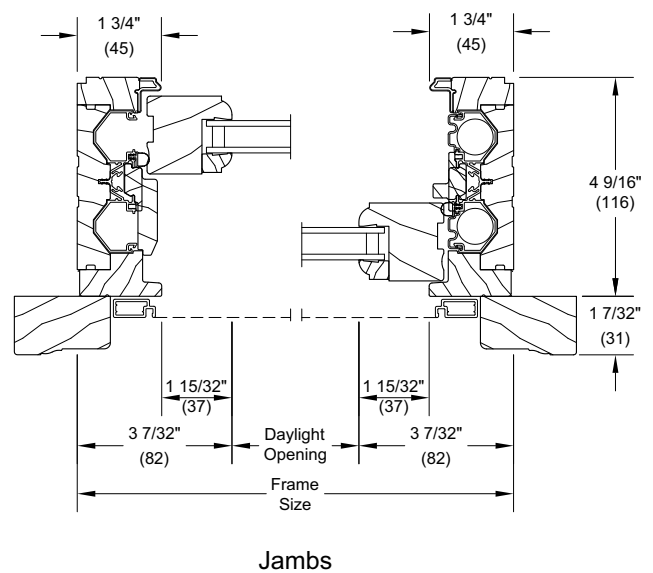
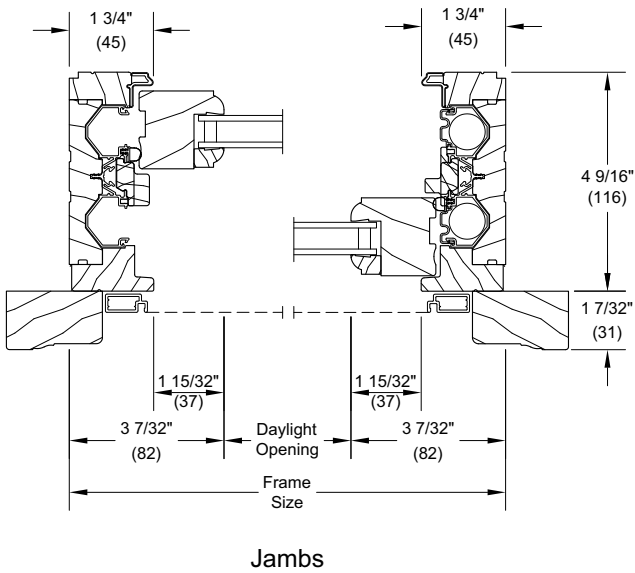
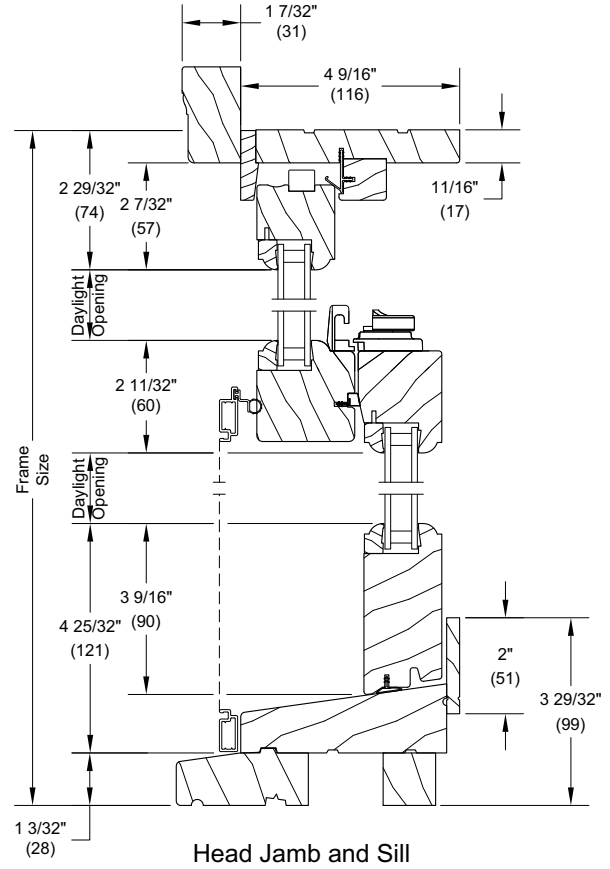
Section Details: Operating

Scale: 3" = 1' 0"

Double Hung



Single Hung

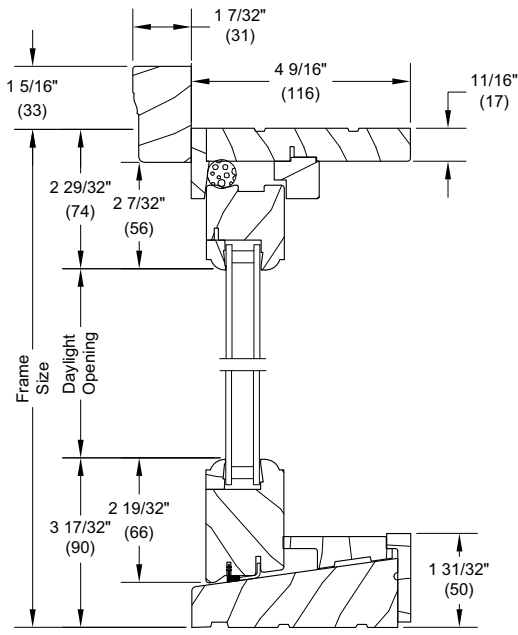


Wood Ultimate Double Hung Magnum

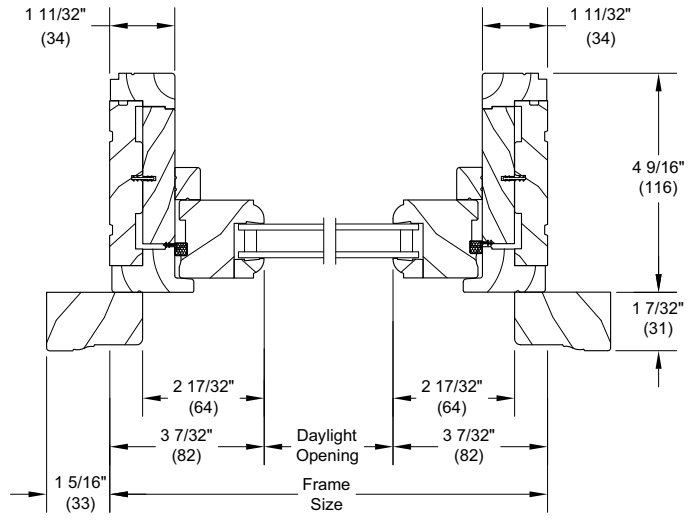
Section Details: Transom

Scale: 3" = 1' 0"

Transom



Head Jamb and Sill



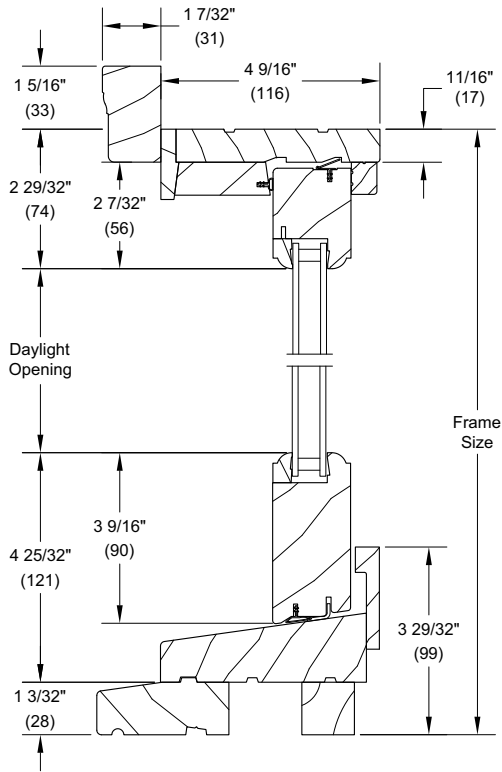
Jamb

Wood Ultimate Double Hung Magnum

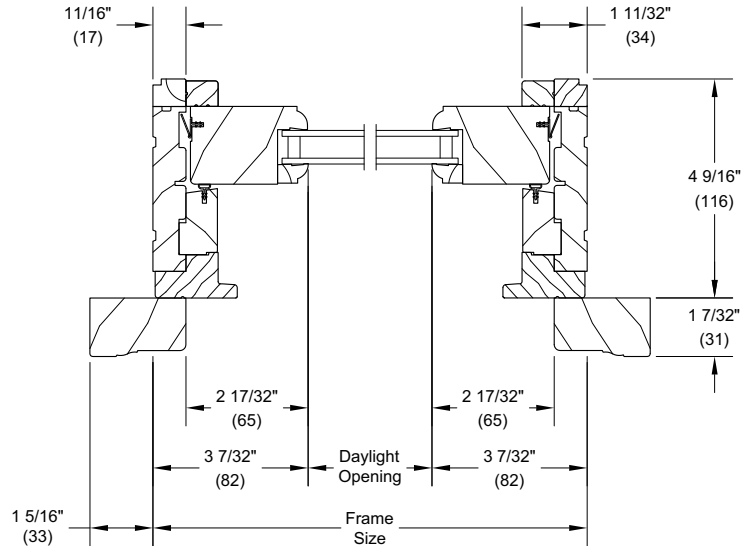
Section Details: Picture

Scale: 3" = 1' 0"

1 5/8" - Picture

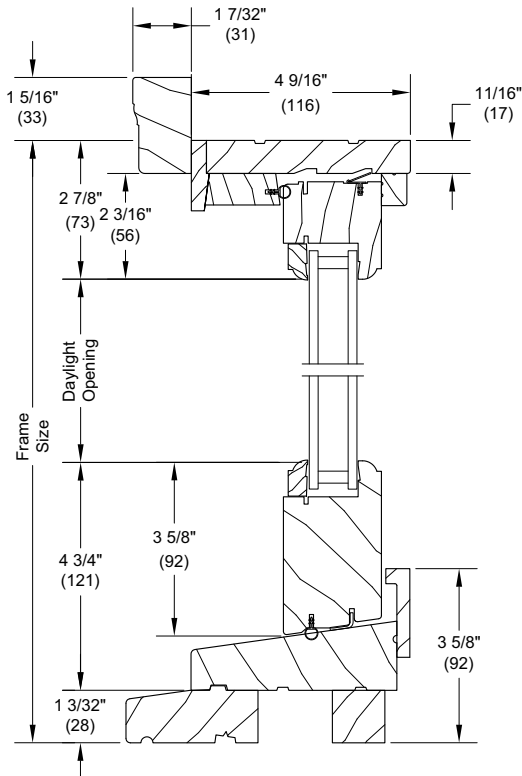


Head Jamb and Sill

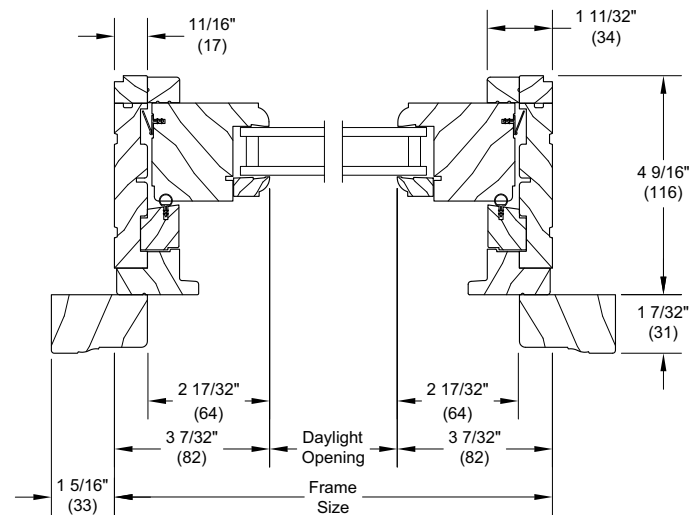


Jamb Detail

2" Picture



Head Jamb and Sill

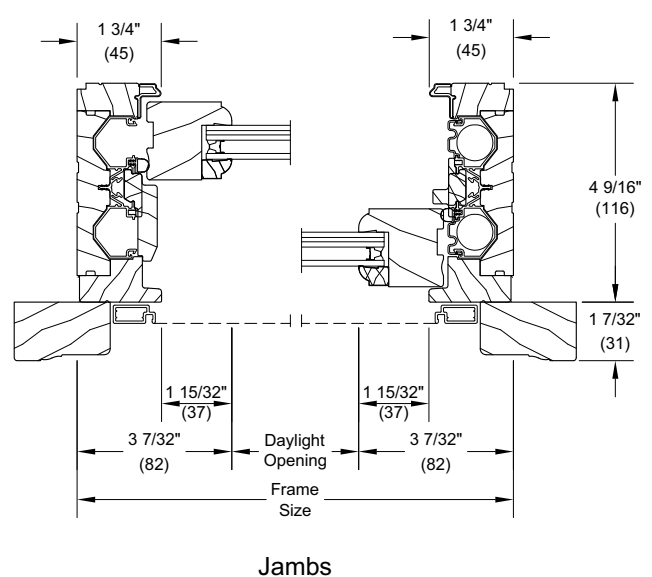
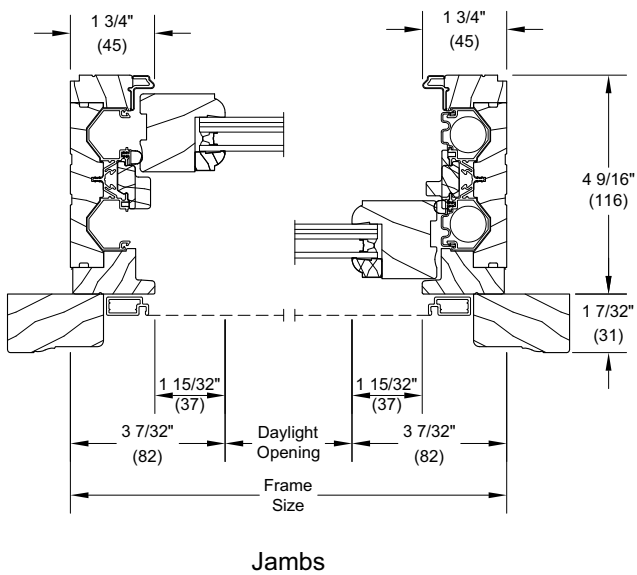
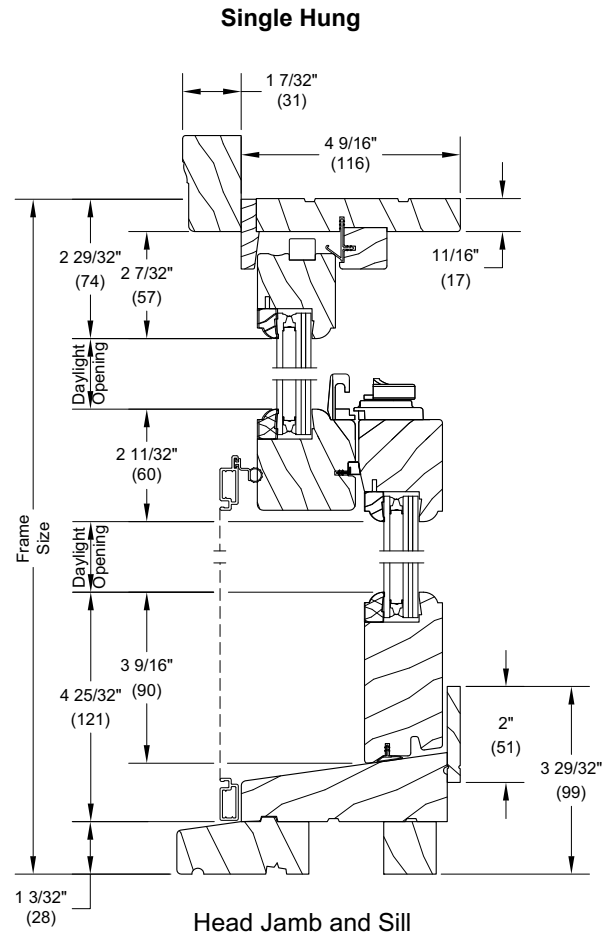
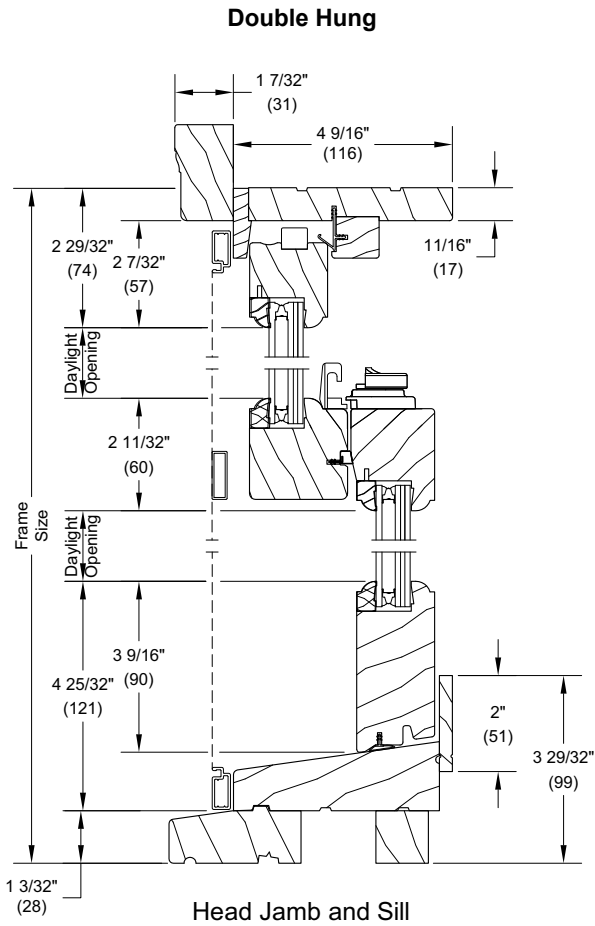


Jamb

Wood Ultimate Double Hung Magnum

Section Details: Operator IZ3

Scale: 3" = 1' 0"



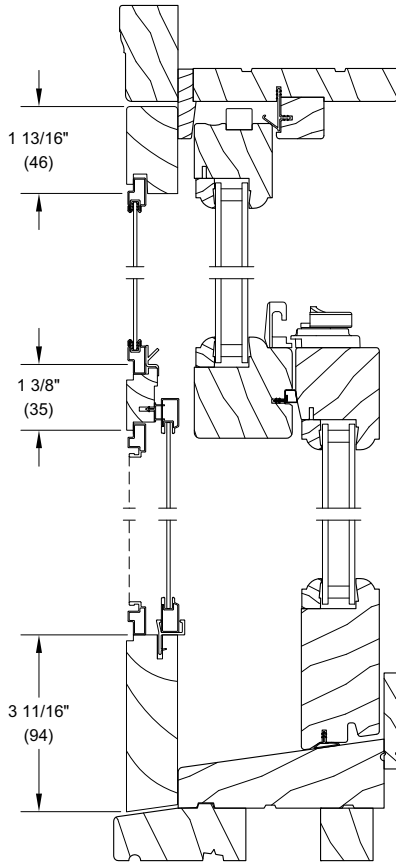
NOTE: CE mark is not available on impact units.

Wood Ultimate Double Hung Magnum

Section Details: Combination and Storm Sash

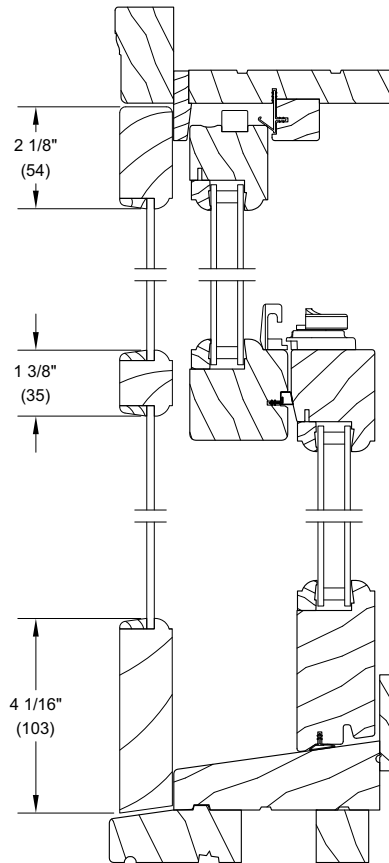
Scale: 3" = 1' 0"

Combination

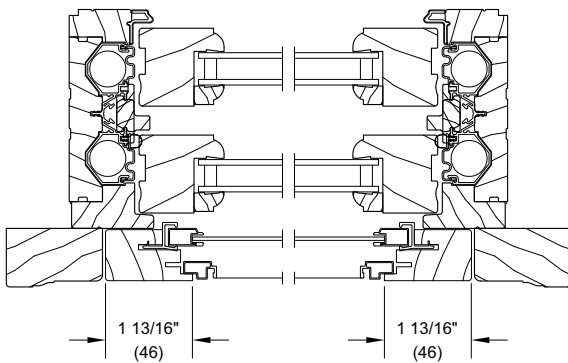


Head Jamb and Sill

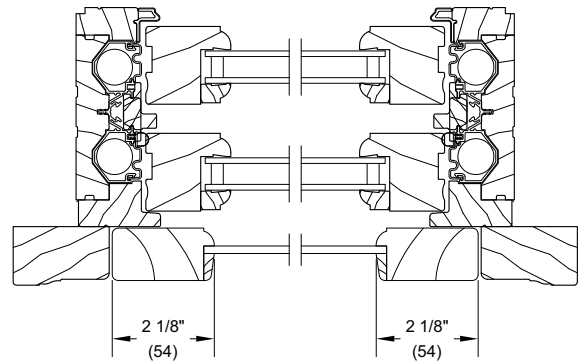
Storm Sash



Head Jamb and Sill



Jambs

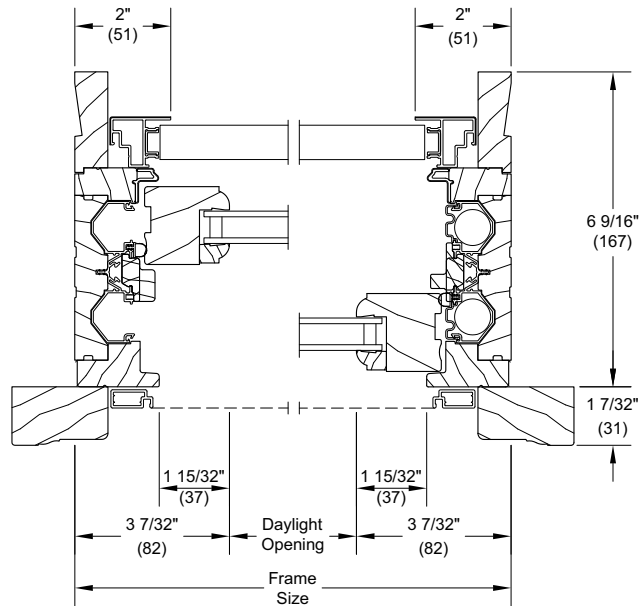


Jambs

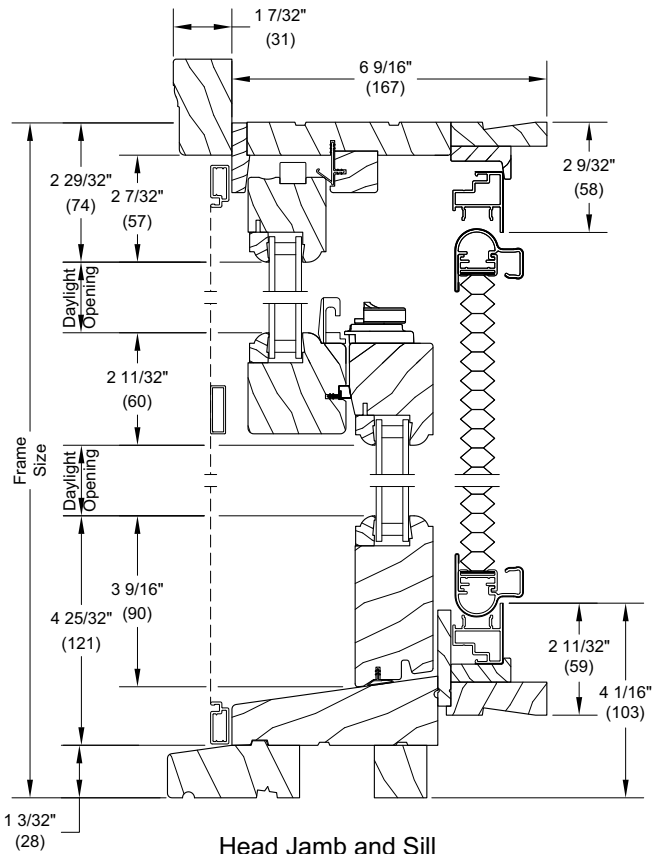
Wood Ultimate Double Hung Magnum

Section Details: Interior Shade Option

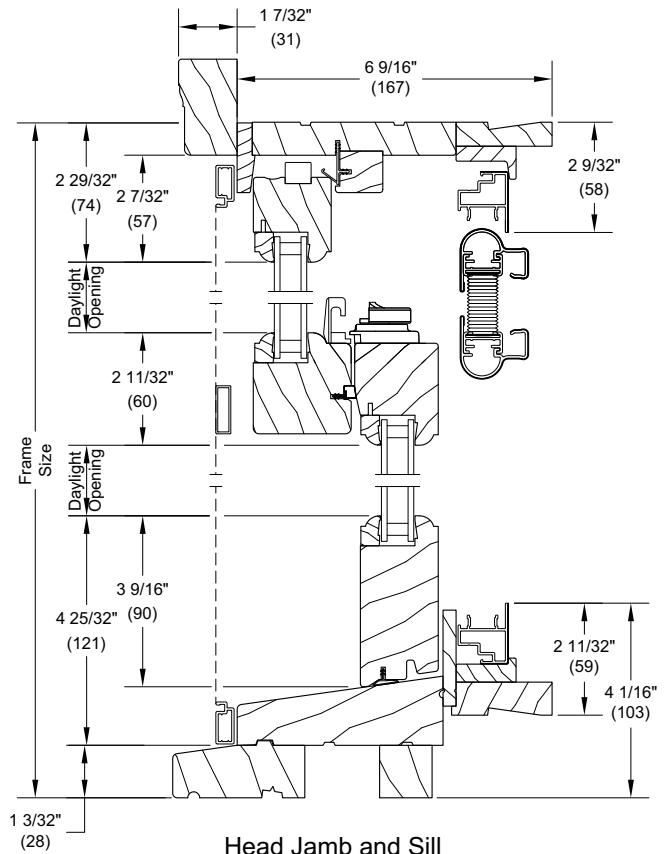
Scale: 3" = 1' 0"



Jambs



Head Jamb and Sill
Shades Closed

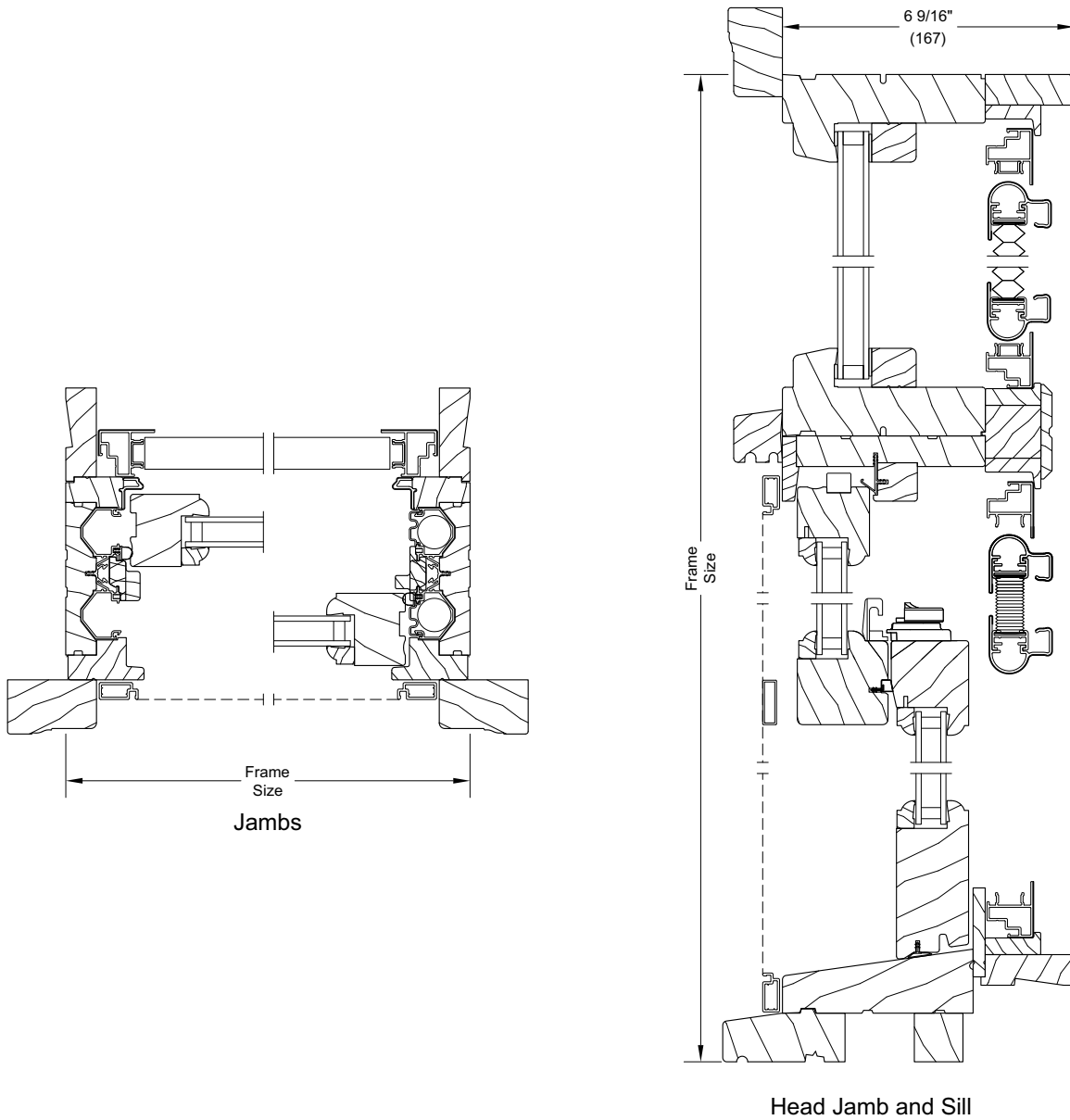


Head Jamb and Sill
Shades Open

Wood Ultimate Double Hung Magnum

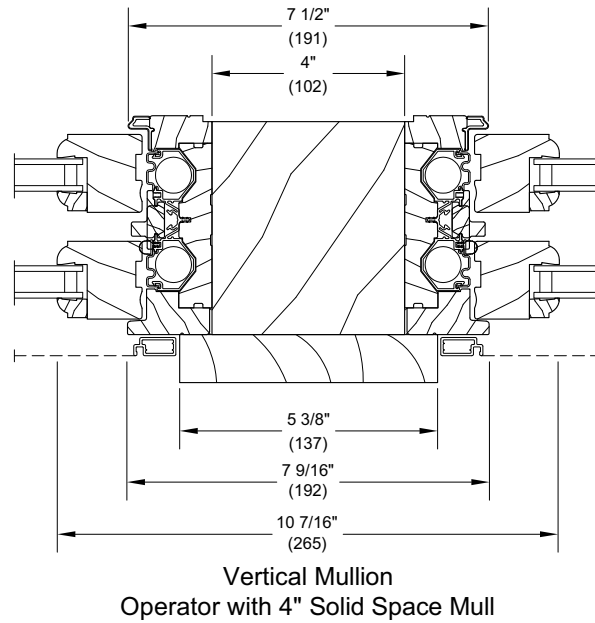
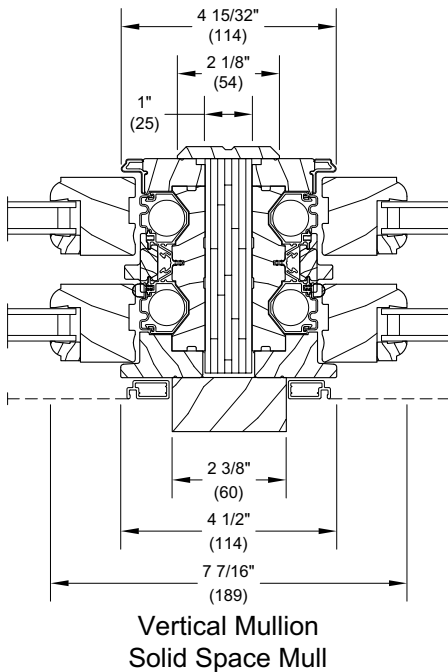
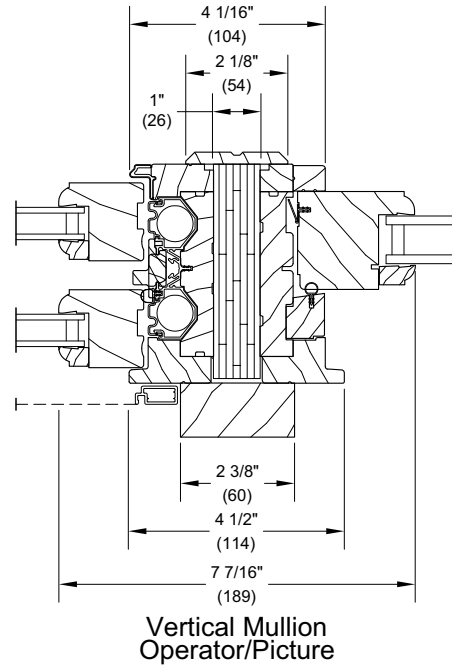
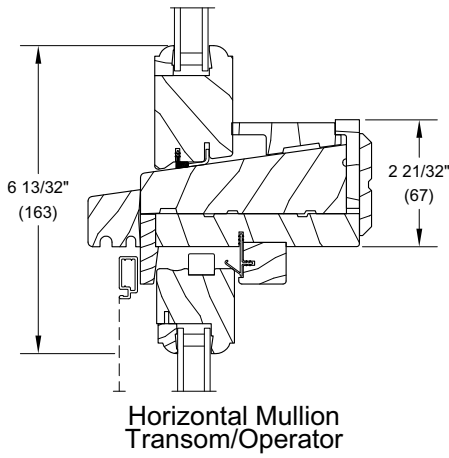
Section Details: Muller Direct Glaze with Interior Shade Option

Scale: 3" = 1' 0"



Section Details: Mullions

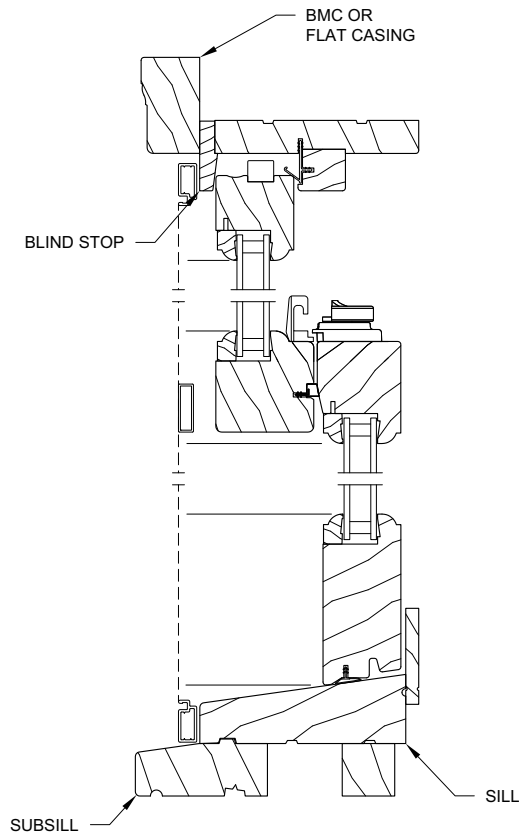
Scale: 3" - 1' 0"



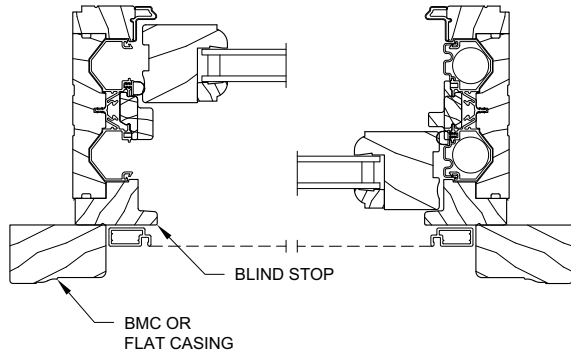
Wood Ultimate Double Hung Magnum

Section Details: Operator/Stationary with Cedar Dress Option

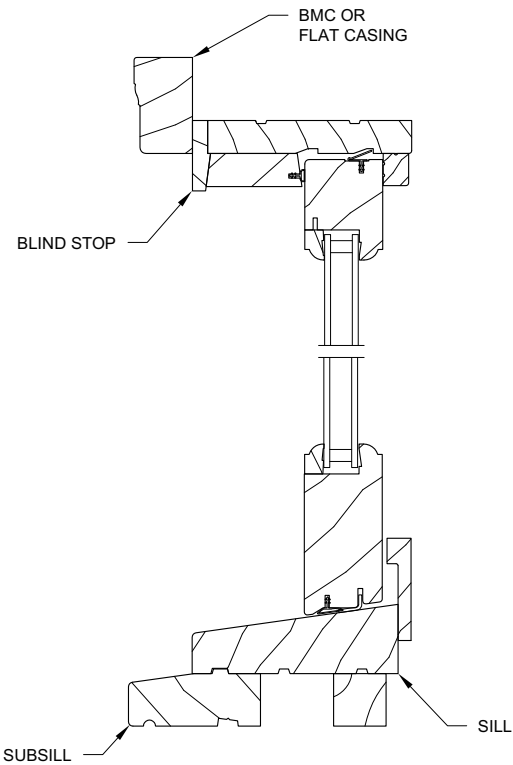
Scale: 3" - 1' 0"



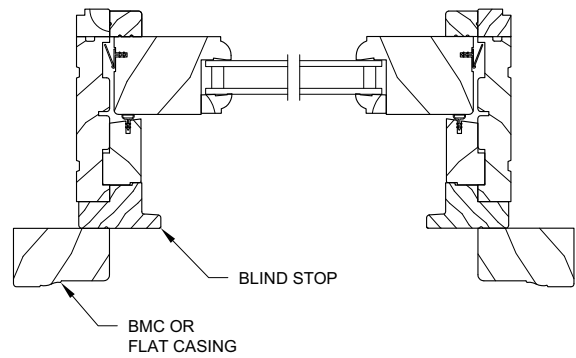
Head Jamb and Sill



Jamba



Head Jamb and Sill



Jamb Detail