

2 1/4" Wood Swinging French Doors

Standard Unit Measurements.....	1
Inswing and Outswing Certified Sizes and Ratings.....	2
Minimum and Maximum Guidelines: Doors and Interior Shades	3
Measurement Conversions	4
Net Clear Opening: Inswing	5
Net Clear Opening: Outswing.....	6
Net Clear Opening: Outswing w/Interior Shade	7
Inswing Section Details: Operating	8
Inswing Section Details: Stationary and Sidelite	9
Inswing Section Details: Panel Configurations.....	10
Inswing Section Details: Ultimate Swinging Screen	11
Inswing Section Details: Flat Panel Placement.....	12
Inswing Section Details: Raised Panel Placement.....	13
Inswing Section Details: Interior Shade.....	14
Outswing Section Details: Operating.....	15
Outswing Section Details: Stationary and Sidelite	16
Outswing Section Details: Panel Configurations	17
Outswing Section Details: Flat Panel Placement	18
Outswing Section Details: Raised Panel Placement.....	19
Outswing Section Details: Interior Shade.....	20

Standard Unit Measurements

Standard Inswing and Outswing Unit Measurements													
Width													
Unit Type	Call Number	Masonry Opening		Rough Opening		Frame Size		Panel OM		Daylight Opening		Glass Size	
		ft - in	mm	ft - in	mm	ft - in	mm	ft-in	mm	ft - in	mm	ft-in	mm
1 Panel	2-6	2-10 9/16	(878)	2-8 7/16	(824)	2-7 7/16	(799)	2-5 1/16	(738)	1-5 3/32	(434)	1-6 13/32	(468)
	2-8	3-0 9/16	(929)	2-10 7/16	(875)	2-9 7/16	(849)	2-7 1/16	(789)	1-7 3/32	(485)	1-8 13/32	(518)
	3-0	3-4 9/16	(1030)	3-2 7/16	(976)	3-1 7/16	(951)	2-11 1/16	(891)	1-11 3/32	(587)	2-0 13/32	(620)
2 Panel	5-0	5-3 3/4	(1619)	5-1 5/8	(1565)	5-0 5/8	(1540)	2-5 1/16	(738)	1-5 3/32	(434)	1-6 13/32	(468)
	5-4	5-7 3/4	(1721)	5-5 5/8	(1667)	5-4 5/8	(1641)	2-7 1/16	(789)	1-7 3/32	(485)	1-8 13/32	(518)
	6-0	6-3 3/4	(1924)	6-1 5/8	(1870)	6-0 5/8	(1845)	2-11 1/16	(891)	1-11 3/32	(587)	2-0 13/32	(620)
Height													
Unit Type	Call Number	Masonry Opening		Rough Opening		Frame Size		Panel OM		Daylight Opening		Glass Size	
		ft - in	mm	ft - in	mm	ft - in	mm	ft-in	mm	ft - in	mm	ft - in	mm
All Configurations	8-0	8-1 1/16	(2465)	8-0	(2438)	7-11 1/2	(2426)	7-8 1/2	(2350)	6-6 3/8	(1991)	6-7 11/16	(2024)
	10-0	10-1 1/16	(3075)	10-0	(3048)	9-11 1/2	(3035)	9-8 1/2	(2959)	8-6 3/8	(2600)	8-7 11/16	(2634)

2 1/4" Wood Swinging French Doors

Inswing and Outswing Certified Sizes and Ratings

Inswing Doors

Product	Air Tested to psf	Water Tested to psf	Structural Tested to psf	Certification Rating	Design Pressure (DP)	Max Overall Width		Max Overall Height		# of Panels
						in	mm	in	mm	
Wood 2 1/4" Inswing French Door 30100 (O)	1.57	8.25 psf	82.5 psf	LC-PG55-FD	55	37 1/2	(953)	119 1/2	(3035)	1
Wood 2 1/4" Inswing French Door 60100 (XX)	1.57	8.25 psf	82.5 psf	LC-PG55-FD	55	75 5/8	(1921)	119 1/2	(3035)	2

Impact Product	Air Tested to psf	Water Tested to psf	Structural Tested to psf	Certification Rating	Design Pressure (DP)	Max Overall Width		Max Overall Height		# of Panels
						in	mm	in	mm	
Wood 2 1/4" Inswing French Door 60100 (XX)	1.57	8.35	82.71 psf	LC-PG55-SHD	55	72 5/8	(1845)	119 1/2	(3035)	2

Outswing Doors

Product	Air Tested to psf	Water Tested to psf	Structural Tested to psf	Certification Rating	Design Pressure (DP)	Max Overall Width		Max Overall Height		# of Panels
						in	mm	in	mm	
Wood 2 1/4" Outswing French Door 30100 (O)	1.57	8.25	82.5	LC-PG55-FD	55	37.5	(953)	119.5	(3035)	1
Wood 2 1/4" Outswing French Door 60100 (XX)	1.57	8.25	82.5	LC-PG55-SHD	55	72.625	(1845)	119.5	(3035)	2

Impact Product	Air Tested to psf	Water Tested to psf	Structural Tested to psf	Certification Rating	Design Pressure (DP)	Max Overall Width		Max Overall Height		# of Panels
						in	mm	in	mm	
Wood 2 1/4" Outswing French Door 60100 (XX)	1.57	8.25	82.5 psf	LC-PG55-SHD	55	72.625	(1845)	119.5	(3035)	2

NOTE:

- For CE ratings, please refer to CE Performance Chapter.
- Impact rated products are not available with CE mark.

Minimum and Maximum Guidelines: Doors and Interior Shades

Door Minimum and Maximum Frame Size - Certified								
Unit Configuration	Min Width		Min Height		Max Width		Max Height	
	in	mm	in	mm	in	mm	in	mm
1 - Panel Stationary	20 5/16	(516)	25 1/8	(638)	37 7/16	(951)	119 1/2	(3035)
1 - Panel Operator	20 5/16	(516)	70 5/16	(1786)	37 7/16	(951)	119 1/2	(3035)
2 - Panel Operator	38 3/8	(975)	70 5/16	(1786)	72 5/8	(1845)	119 1/2	(3035)

Interior Shade Minimum and Maximum Daylight Opening								
Unit Configuration	Min DLO				Max DLO			
	Width		Height		Width		Height	
	in	mm	in	mm	in	mm	in	mm
Door Panel	11 1/2	(292)	8	(203)	72 25/32	(1849)	102 3/8	(2600)

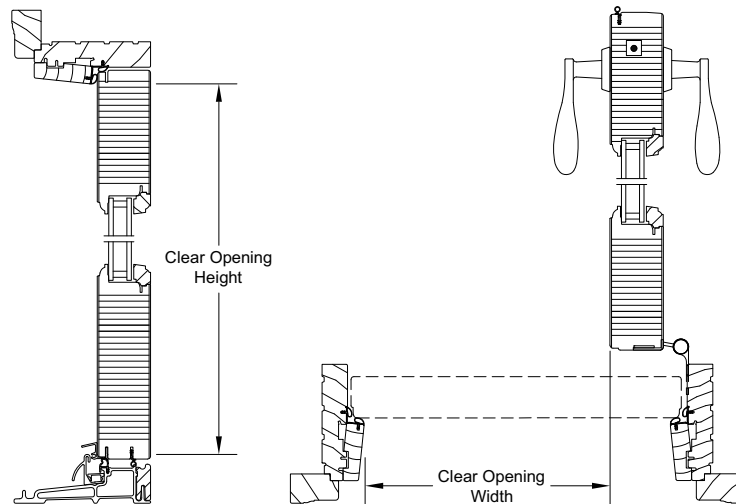
Door Minimum and Maximum Frame Size - Extended Sizes				
Unit Configuration	Max Width		Max Height	
	in	mm	in	mm
1 - Panel Stationary	57 3/8	(1457)	119 1/2	(3035)
1 - Panel Operator	50 3/8	(1280)	119 1/2	(3035)
2 - Panel Operator	98 1/2	(2502)	119 1/2	(3035)

Measurement Conversions

Unit Measurements		Width			Height	
From	To					
Frame		in	mm		in	mm
OM of Frame	Rough Opening	+ 1	(25)		+ 1/2	(13)
Masonry Opening w/BMC	Rough Opening	-2 1/8	(54)		-1 1/16	(27)
Operating Panel		in	mm		in	mm
OM of Frame	OM of Panel (x1)	-2 3/8	(60)		-3	(76)
OM of Frame	OM of Panel (x2)	-2 1/2	(304)	+ 2	-3	(76)
Daylight Opening	OM of Panel	+ 11 31/32	(304)		+ 14 1/8	(359)
Glass		in	mm		in	mm
Daylight Opening	Glass	+ 1 5/16	(33)		+ 1 5/16	(33)
Interior Shades		in	mm		in	mm
Daylight Opening	Surround Size	+ 2 3/4	(70)		+ 2 15/16	(75)

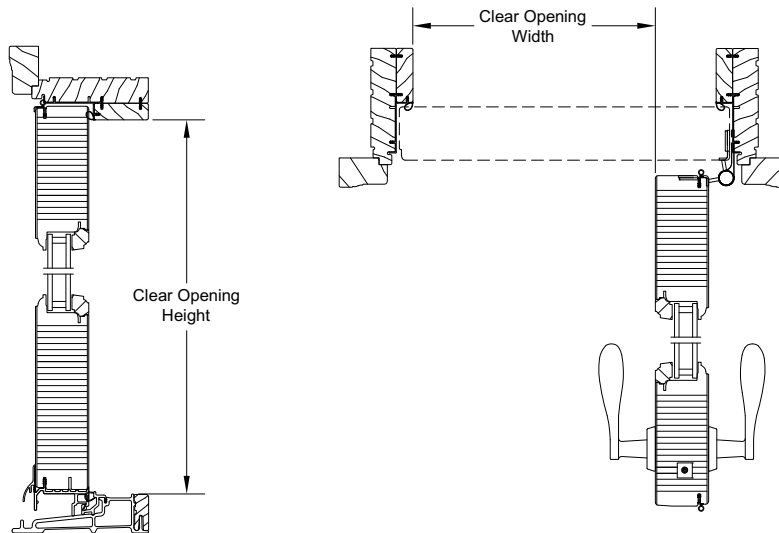
Net Clear Opening: Inswing

Net Clear Opening Ultimate 2 1/4" Inswing French Door			
Width			
Unit Type	Call Number	Net Clear Openings	
		ft-in	mm
1 Panel Operator	2-6	2-1 15/32	(647)
	2-8	2-3 15/32	(698)
	3-0	2-7 15/32	(799)
2 Panel Operator	5-0	4-4 3/16	(1325)
	5-4	4-8 3/16	(1427)
	6-0	5-4 3/16	(1630)
Height			
Unit Type	Call Number	Net Clear Openings	
		ft - in	mm
All Configurations	8-0	7-7 23/32	(2329)
	10-0	9-7 23/32	(2939)



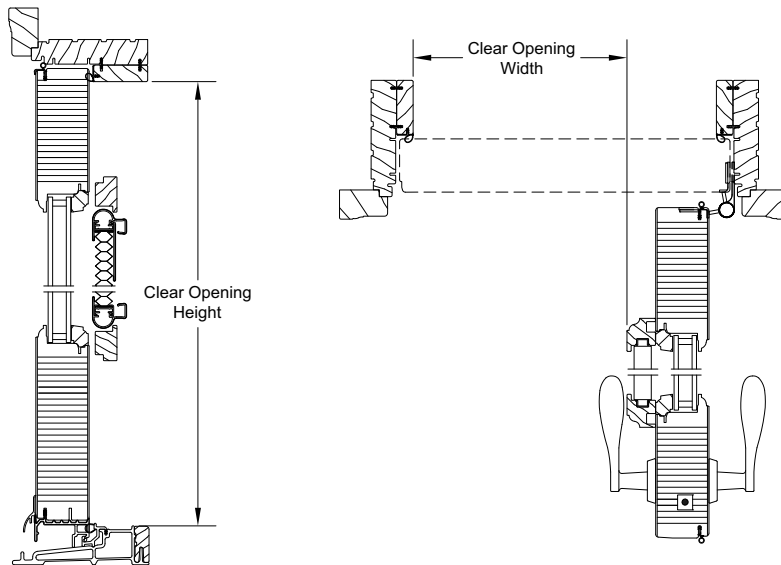
Net Clear Opening: Outswing

Net Clear Opening Ultimate 2 1/4" Outswing French Door			
Width			
Unit Type	Call Number	Net Clear Openings	
		ft-in	mm
1 Panel Operator	2-6	2-1 15/32	(647)
	2-8	2-3 15/32	(698)
	3-0	2-7 15/32	(799)
2 Panel Operator	5-0	4-4 3/16	(1325)
	5-4	4-8 3/16	(1427)
	6-0	5-4 3/16	(1630)
Height			
Unit Type	Call Number	Net Clear Openings	
		ft - in	mm
All Configurations	8-0	7-8 1/8	(2340)
	10-0	9-8 1/8	(2950)



Net Clear Opening: Outswing w/Interior Shade

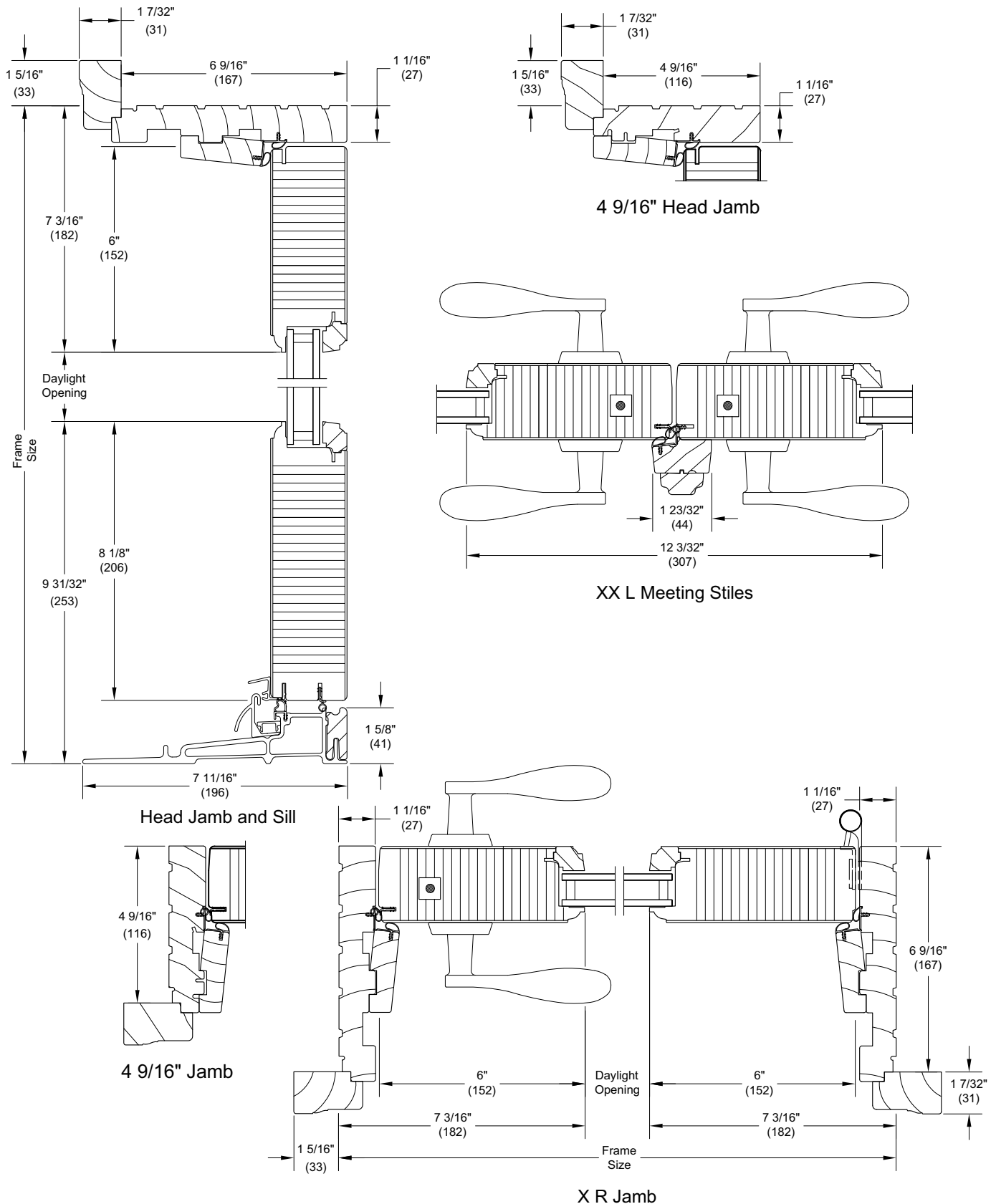
Net Clear Opening Ultimate 2 1/4" Outswing French Door			
Width			
Unit Type	Call Number	Net Clear Openings	
		ft-in	mm
1 Panel Operator with Interior Shade	2-6	2-0 9/32	(617)
	2-8	2-2 9/32	(667)
	3-0	2-6 9/32	(769)
2 Panel Operator with Interior Shade	5-0	4-1 13/16	(1265)
	5-4	4-5 13/16	(1367)
	6-0	5-1 13/16	(1570)
Height			
Unit Type	Call Number	Net Clear Openings	
		ft - in	mm
All Configurations	8-0	7-8 1/8	(2340)
	10-0	9-8 1/8	(2950)



2 1/4" Wood Swinging French Doors

Inswing Section Details: Operating

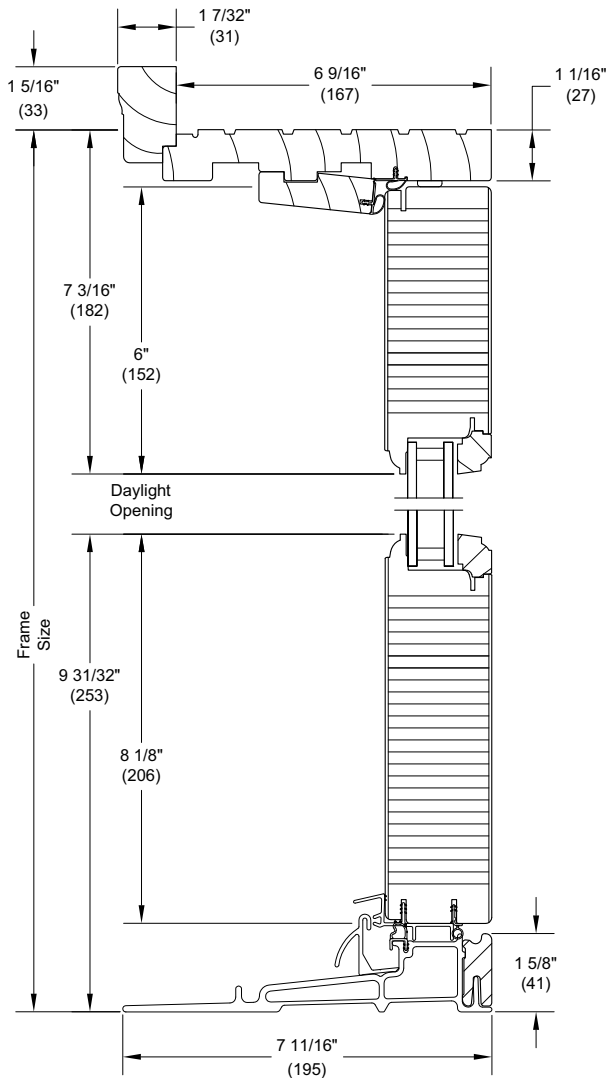
Scale: 3" = 1' 0"



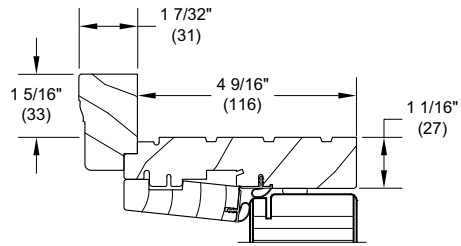
2 1/4" Wood Swinging French Doors

Inswing Section Details: Stationary and Sidelite

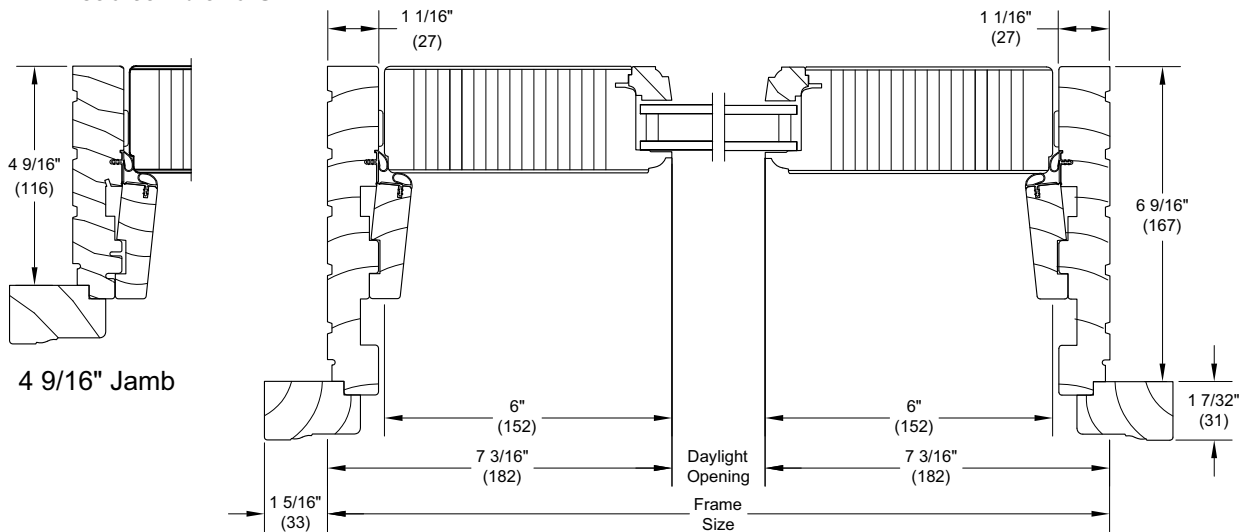
Scale: 3" = 1' 0"



Head Jamb and Sill



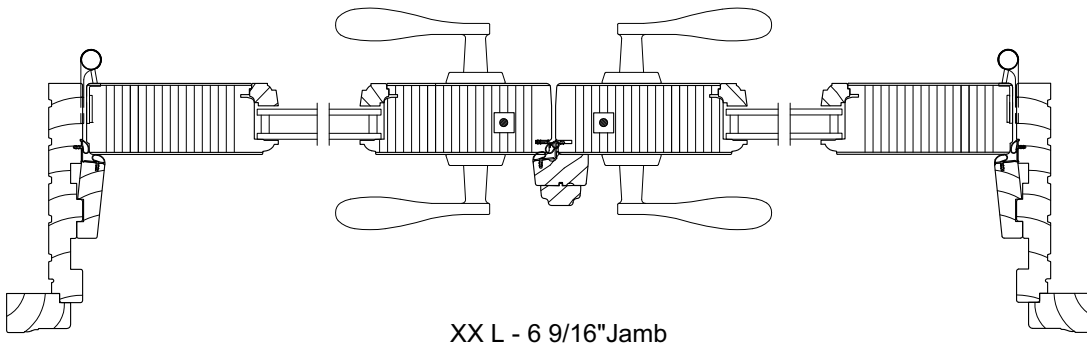
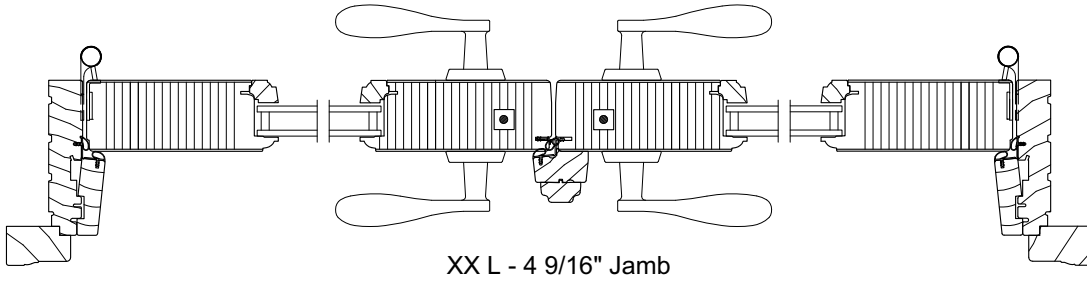
4 9/16" Head Jamb



O - Jamb

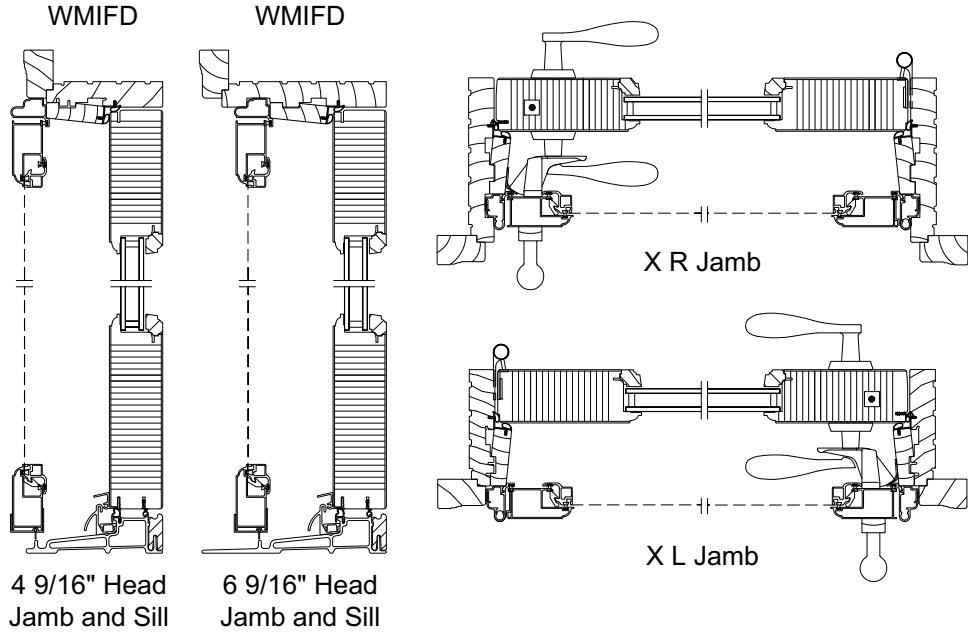
2 1/4" Wood Swinging French Doors

Inswing Section Details: Panel Configurations



2 1/4" Wood Swinging French Doors

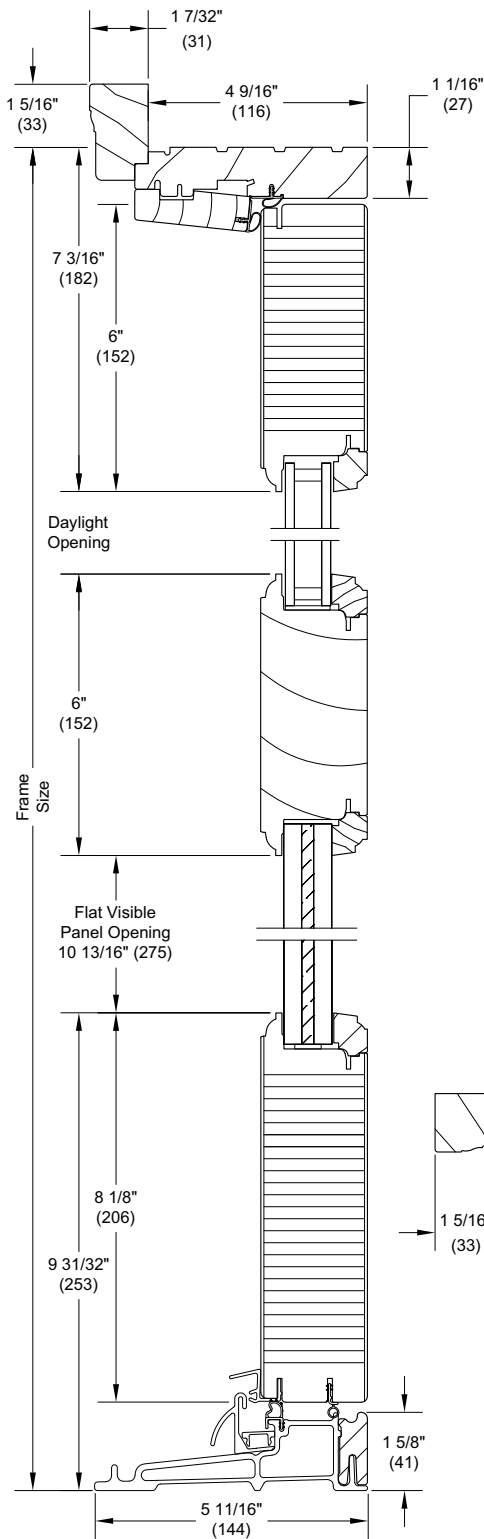
Inswing Section Details: Ultimate Swinging Screen



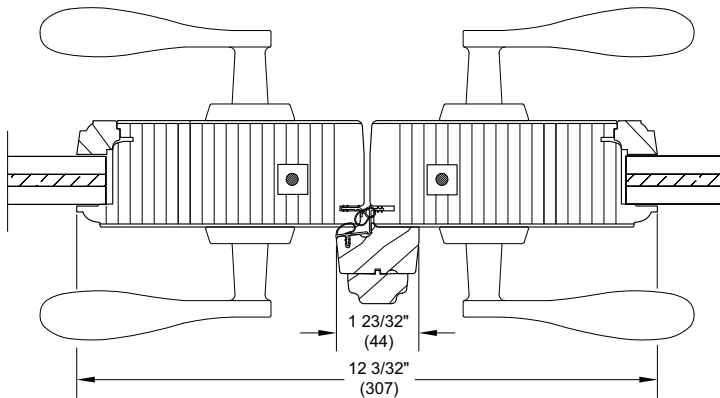
2 1/4" Wood Swinging French Doors

Inswing Section Details: Flat Panel Placement

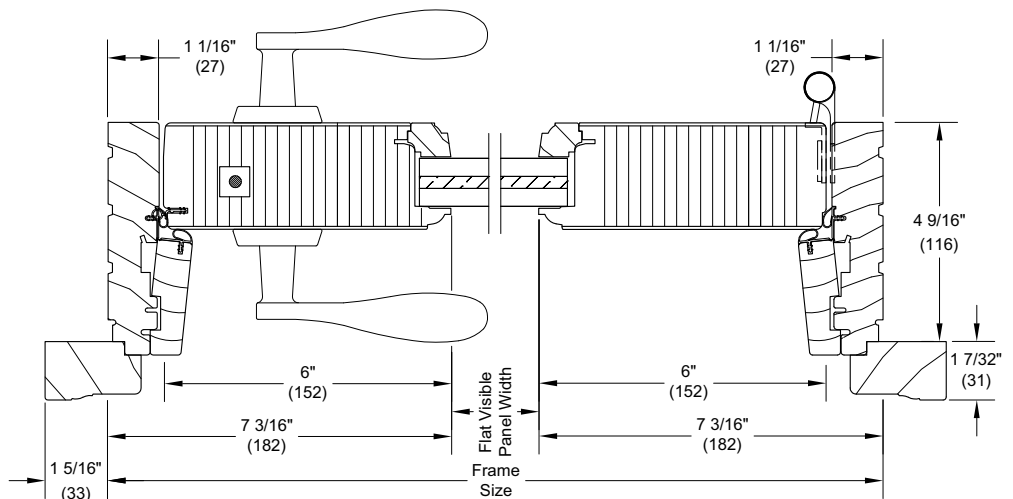
Scale: 3" = 1' 0"



Head Jamb and Sill



XX L Meeting Stiles



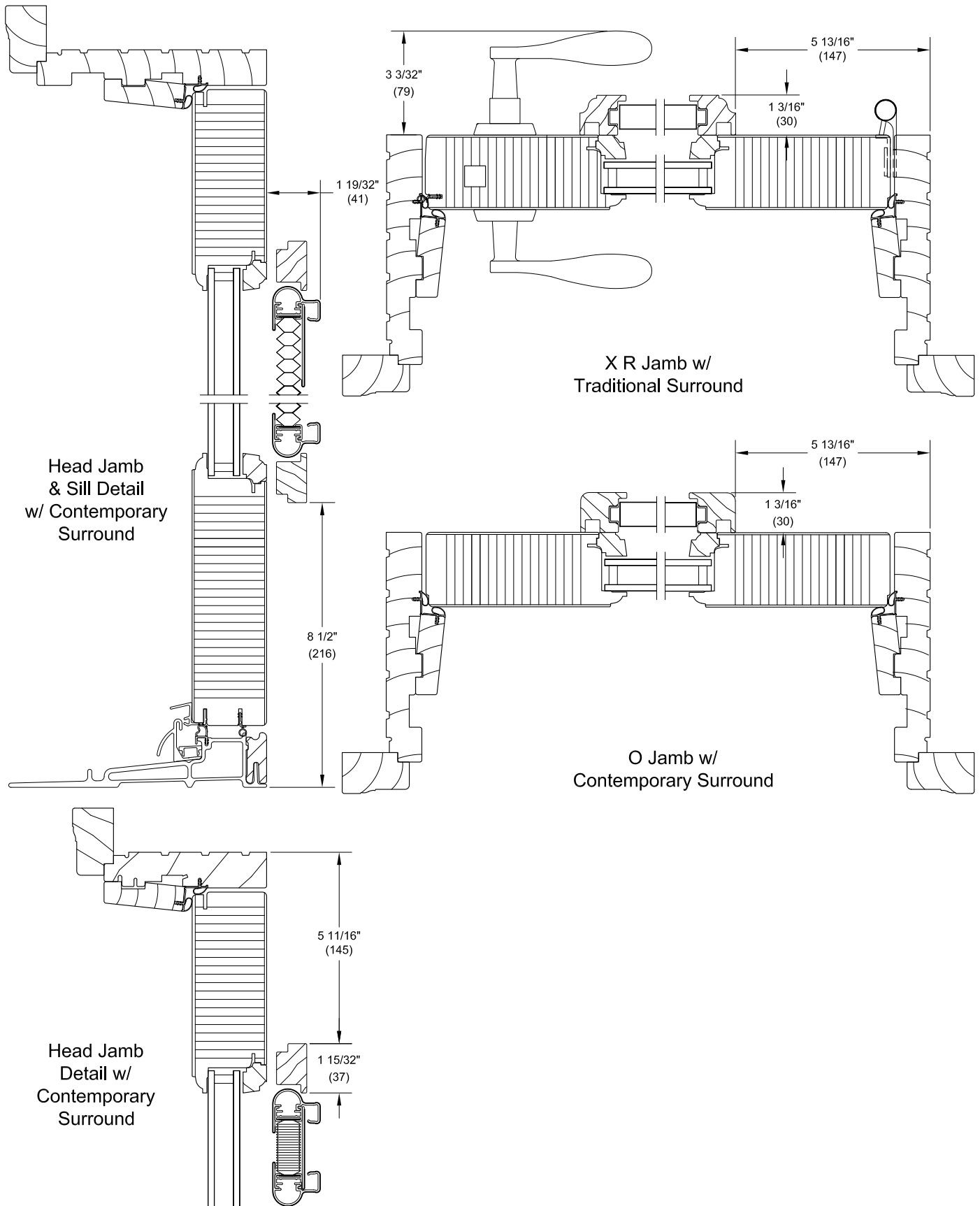
X R Jamb

NOTE: 2 1/4" Wood Inswing French Door with flat panels are not available with CE mark.

2 1/4" Wood Swinging French Doors

Inswing Section Details: Interior Shade

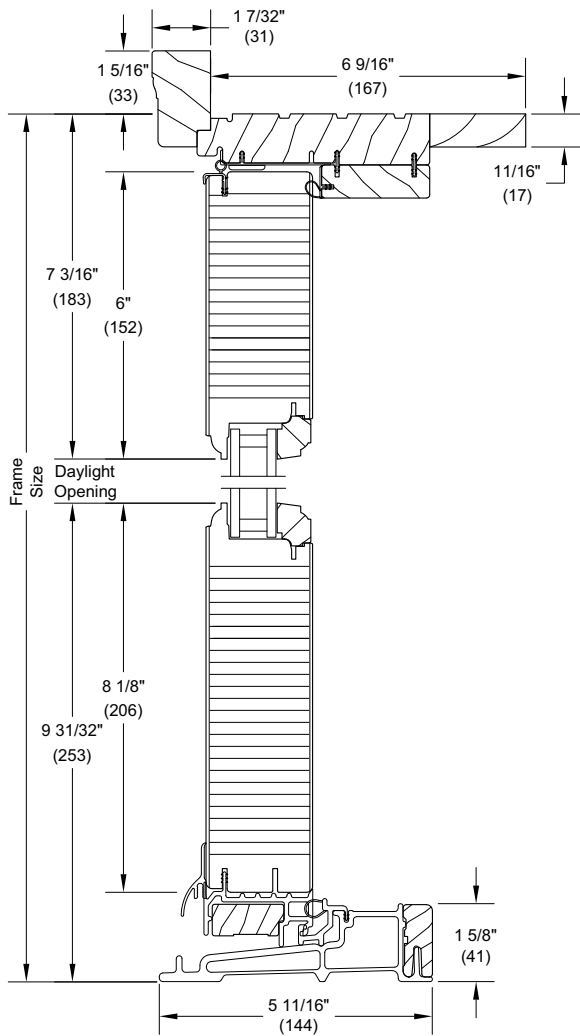
Scale: 3" = 1' 0"



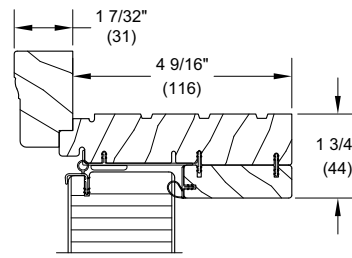
2 1/4" Wood Swinging French Doors

Outswing Section Details: Stationary and Sidelite

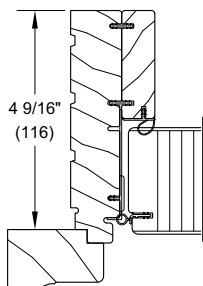
Scale: 3" = 1' 0"



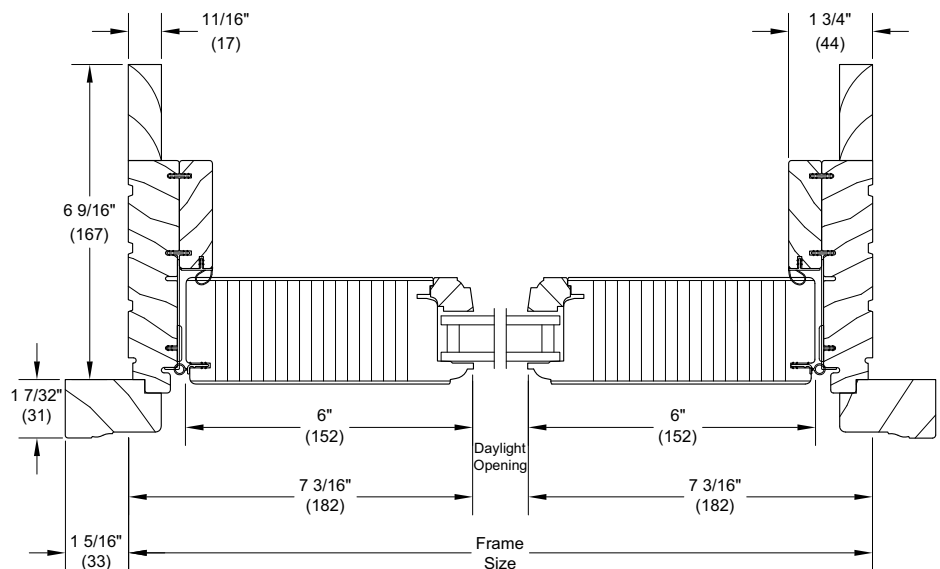
Head Jamb and Sill



4 9/16" Head Jamb



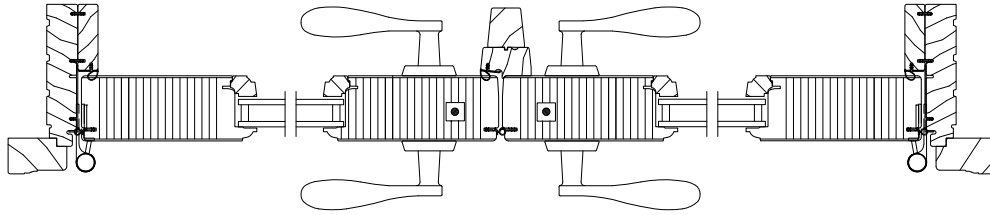
4 9/16" Jamb



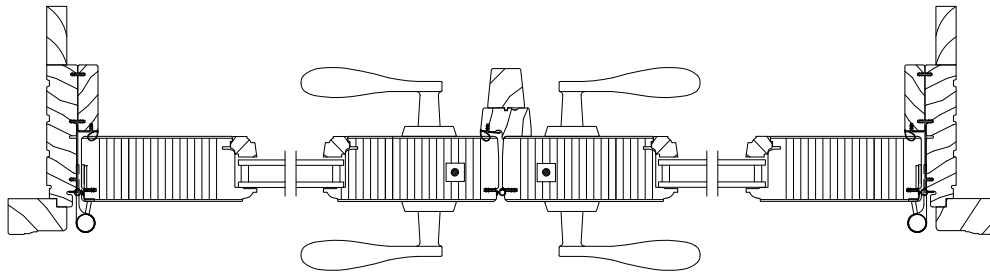
O - Jamb

2 1/4" Wood Swinging French Doors

Outswing Section Details: Panel Configurations



XX R - 4 9/16" Jamb

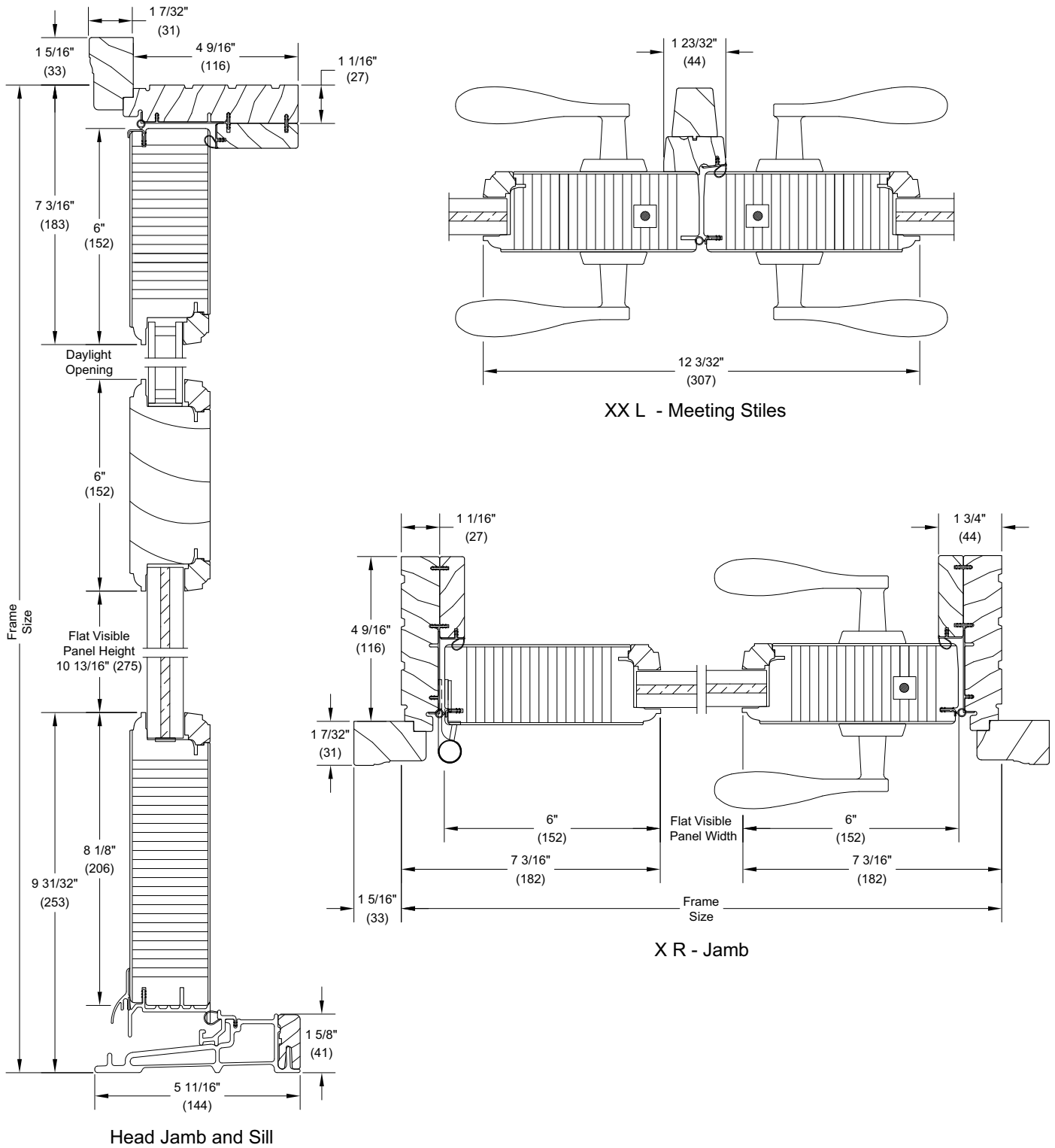


XX R - 6 9/16" Jamb

2 1/4" Wood Swinging French Doors

Outswing Section Details: Flat Panel Placement

Scale: 3" = 1' 0"

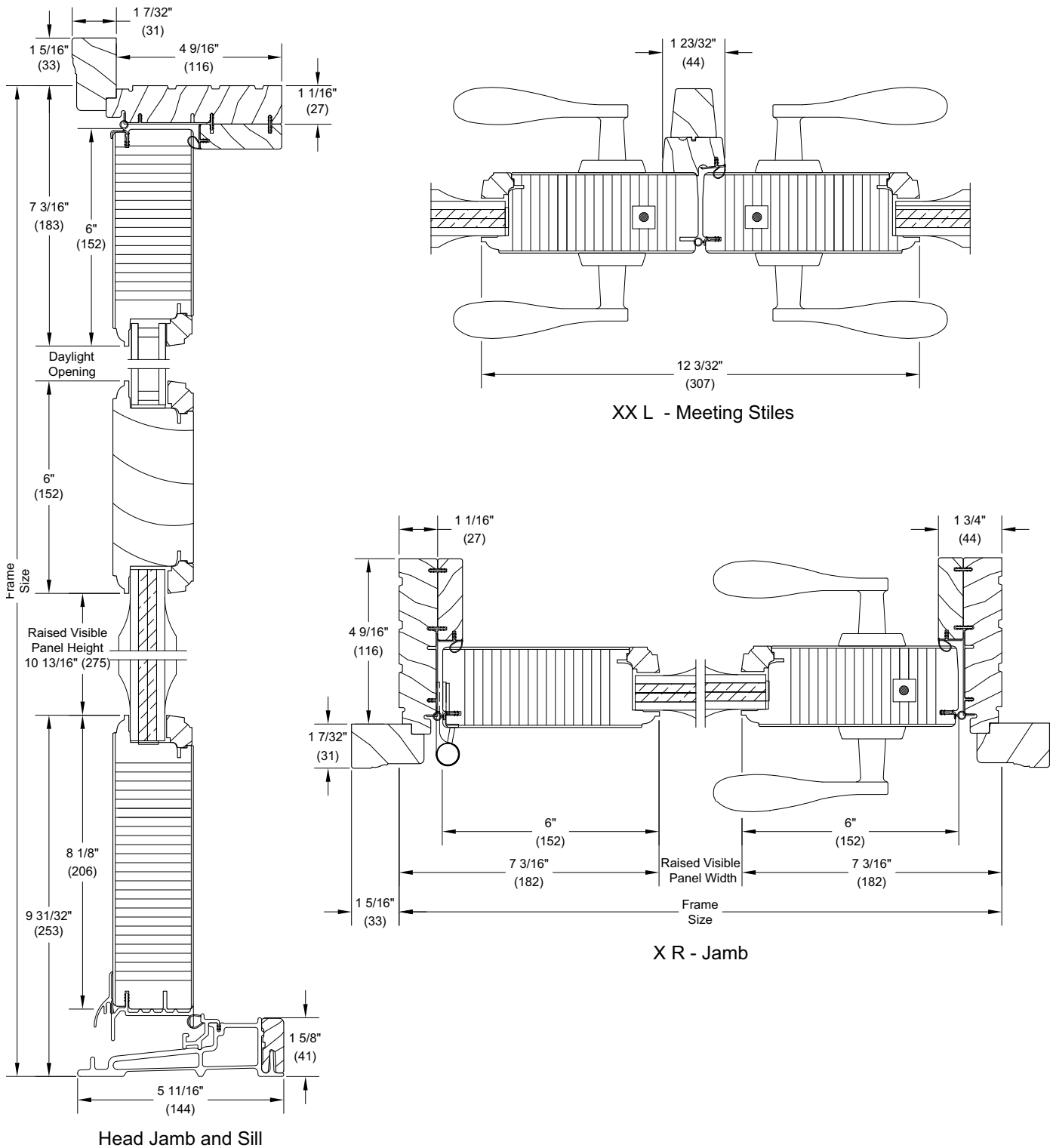


NOTE: 2 1/4" Wood Outswing French Door with flat panels are not available with CE mark.

2 1/4" Wood Swinging French Doors

Outswing Section Details: Raised Panel Placement

Scale: 3" = 1' 0"



NOTE: 2 1/4" Wood Outswing French Door with raised panels are not available with CE mark.

2 1/4" Wood Swinging French Doors

Outswing Section Details: Interior Shade

Scale: 3" = 1' 0"

